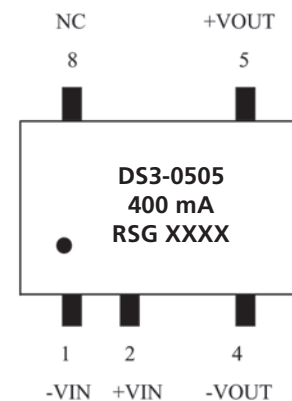


DS3-XXXX-2(H_P) series Single output unregulated DC/DC converters 2W

www.rsg-electronic.de

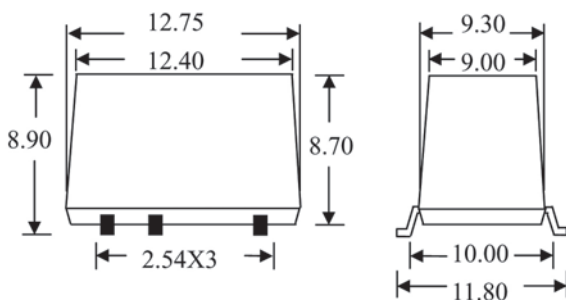
ELECTRICAL SPECIFICATIONS

■ Input voltage range	±10%
■ Output voltage accuracy	±5%
■ Line voltage regulation	1.2% typ. / 1% of Vin
■ Load voltage regulation (10%~100%) - 5V output types ->	15% max.
9V, 12V and 15V output types ->	10% max.
■ Ripple & Noise / 20 MHz BW	150 mV p-p max.
■ Efficiency at full load	70% min.
■ Isolation voltage	1000 VDC min.
■ Short circuit protection	1.0 sec.
■ Operating temperature range	-40°C~70°C
■ Storage temperature range	-55°C~125°C
■ Isolation resistance	10 GOhm
■ Isolation capacity	43 pF typ.
■ Package weight	2.5 g
■ ReFlow temp.	240°C max. (10~30 sec.)



Note: Add/H after P/N for isolation = 2kVDC, P = Continuous short circuit protection

PACKAGE STYLE AND PINNING (mm)



PIN	FUNCTION
1	-VIN
2	+VIN
4	-VOUT
5	+VOUT
8	NC

Unit: mm
 Tol.: ±0.25 mm

SELECTION GUIDE

Part Number	Input Voltage (VDC)	Output Voltage (VDC)	Output Current (mA)	Efficiency (%)
DS3-XX3.3-2	5, 9, 12, 15, 24	3.3	606	70
DS3-XX05-2	5, 9, 12, 15, 24	5	400	70
DS3-XX09-2	5, 9, 12, 15, 24	9	222	72
DS3-XX12-2	5, 9, 12, 15, 24	12	166	75
DS3-XX15-2	5, 9, 12, 15, 24	15	133	78
DS3-XX24-2	5, 9, 12, 15, 24	24	83	78