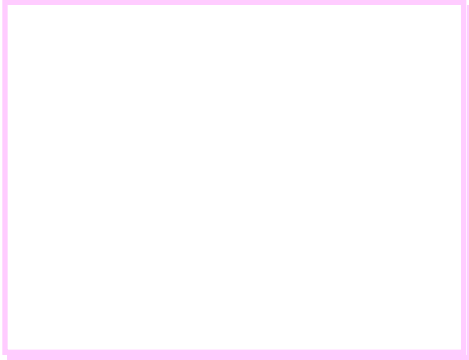


EPA3826



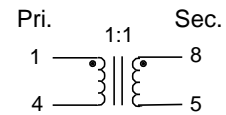
- 1500 Vrms Isolation •
- Frequency Range : Data/Voice = 300-3500 Hz •
- Frequency Range : Data = 800-3500 Hz •

Electrical Parameters @ 25° C

Inductance (H Typ.)	Insertion Loss (dB Max.)	Return Loss (dB Min.)	Total Harmonic Distortion (dB Typ. @ -10dBm Test Level)				Longitudinal Balance (dB Min.)	
			@ 100 Hz	@ 200 Hz	@ 300 Hz	@ 600 Hz	200-1000 Hz	1000-4000 Hz
@ 100 Hz, 0.1 Vrms	200-4000 Hz	@200-4000 Hz	@ 100 Hz	@ 200 Hz	@ 300 Hz	@ 600 Hz	200-1000 Hz	1000-4000 Hz
2.0	1.75	-14	-55	-60	-65	-70	-60	-45

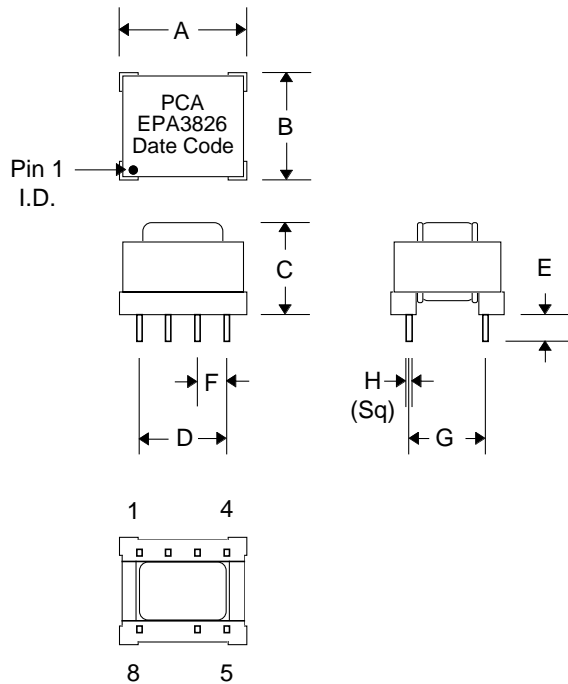
• Pri. & Sec. Impedance: 600 Ω • DCR: Pri. = 50.5 Ω Typ. & Sec. = 69 Ω Typ. •

Schematic



Note : Pin 7 omitted

Package



Dimensions

Dim.	(Inches)			(Millimeters)		
	Min.	Max.	Nom.	Min.	Max.	Nom.
A	---	.660	---	---	16.76	---
B	---	.560	---	---	14.22	---
C	---	.480	---	---	12.19	---
D	---	---	.450	---	---	11.43
E	---	.150	---	---	3.81	---
F	---	---	.150	---	---	3.81
G	---	---	.400	---	---	10.16
H	.022	.028	.025	.559	.711	.635