

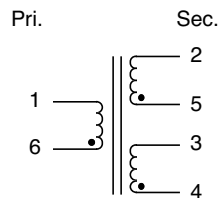
## EPB5211G

- Designed for HPNA Filter Bridge Applications
- Withstands IR Reflow Profile Processes
- Hipot : 850 Vrms (1 second, Pri.-Sec.)

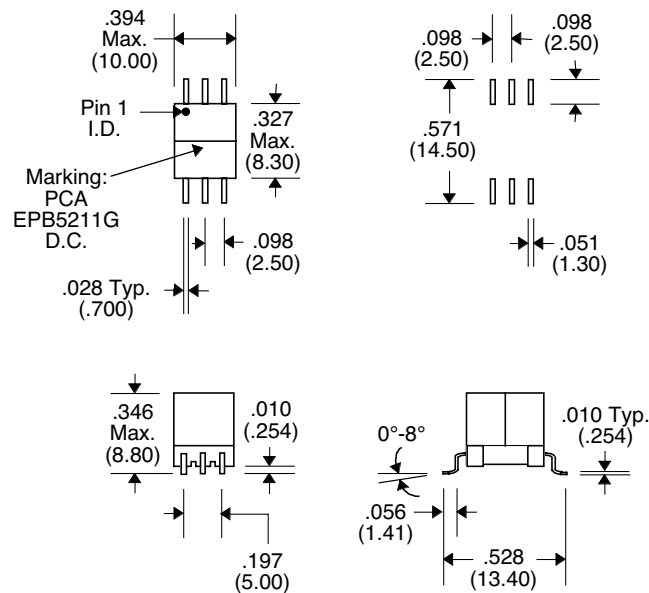
### Electrical Parameters @ 25° C

| Primary OCL<br>( $\mu\text{H} \pm 5\%$ ) | Leakage Inductance<br>( $\mu\text{H}$ Max.) | Turns Ratio<br>( $\pm 2\%$ ) |              | DCR<br>( $\text{m}\Omega$ Max.) |          |          |
|--|---|------------------------------|--------------|---------------------------------|----------|----------|
| @ 10 KHz, 1.0 Vrms                       | @ 100 KHz, 1.0 Vrms                         |                              |              |                                 |          |          |
| 1.96                                     | 0.1   | 1:1                          | 1:1          | 100                             | 100      | 100      |
| Pins 1-6                                 | Pins 1-6 with 2-5 & 3-4 shorted             | Pins 1-6:2-5                 | Pins 1-6:3-4 | Pins 1-6                        | Pins 3-4 | Pins 3-4 |

### Schematic



### Package



Unless Otherwise Specified Dimensions are in Inches /mm  $\pm .010$  /.25