

10Base-T Interface Filter Module with Resistor Network

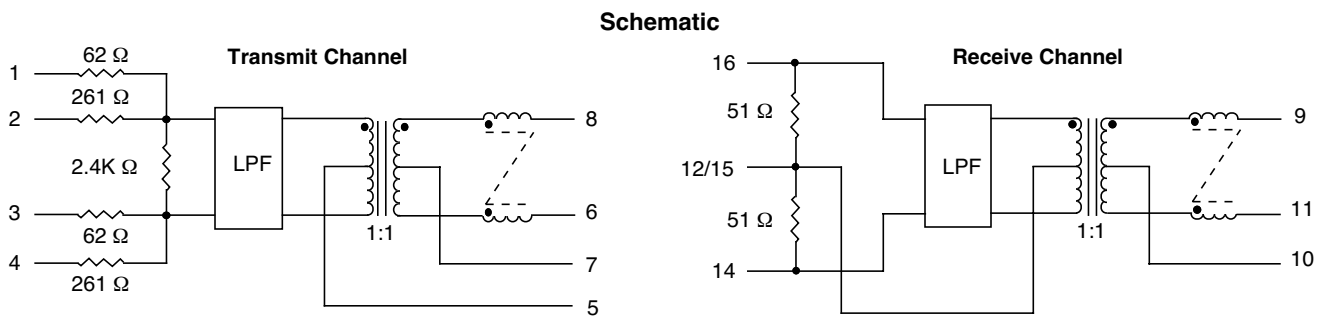
EPE6135

- General Purposes Filter Module
- Robust construction allows for toughest reflow processing
- Complies with or exceeds IEEE 802.3, 10Base-T Standards

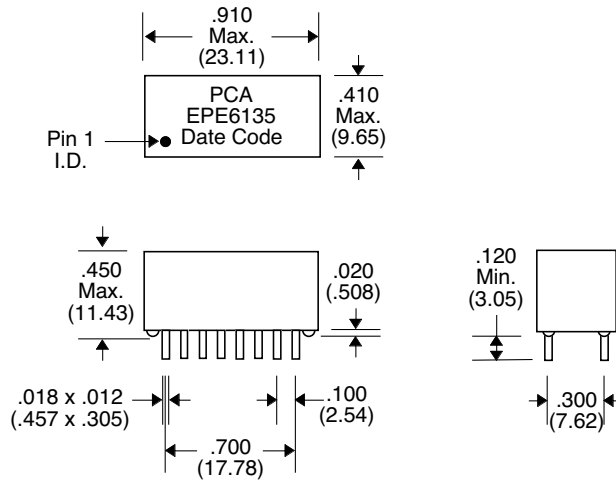
Electrical Parameters @ 25° C

Cut-Off Frequency (MHz)	Insertion Loss (dB Max.)	Return Loss (dB Min.)	Attenuation (dB Min.)				Common Mode Rejection (dB Min.)		Crosstalk (dB Min.)
			@ 20 MHz	@ 25 MHz	@ 30 MHz	@ 40 MHz	10-100 MHz	100-300 MHz	
± 1.0 MHz	1-10 MHz	5-10 MHz	@ 20 MHz	@ 25 MHz	@ 30 MHz	@ 40 MHz	10-100 MHz	100-300 MHz	1-10 MHz
Xmit/Rcv	Xmit/Rcv	Xmit/Rcv	Xmit/Rcv	Xmit/Rcv	Xmit/Rcv	Xmit/Rcv	Xmit/Rcv	Xmit/Rcv	---
18/17.5	-5/-4.5	-15/-15	-8/-8	-16/-16	-25/-25	-33/-33	-40/-45	-25/-20	-35

• **Isolation** : Meets or exceeds 802.3 IEEE Requirements • **Crosstalk** : Between Channels •



Package



Unless Otherwise Specified Dimensions are in Inches /mm ±.010 /.25