

EPI B37F & EPI B37F-LF Series



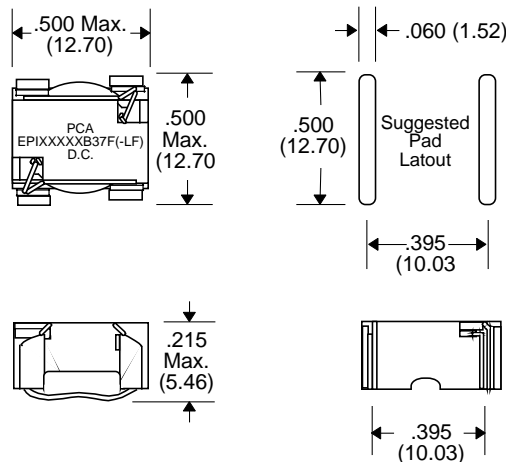
- Low loss material ensures operation in high frequency switching converters, such as Buck, Boost or as output averaging filter inductor
- Also suitable for use in high quality filter applications
- Add “-LF” after part number for Lead-Free
- Up to 1 MHz Switching Frequency
- UL 94V-0 Recognized Materials

Electrical Parameters @ 25° C

Part Number	Inductance ($\mu\text{H} \pm 15\%$) @ 0 Adc	DCR (Typ.)	Idc (Amps)	Inductance ($\mu\text{H} \pm 15\%$) @ Idc	Vt (V- μsec) @ 265 KHz	Temp. Rise @ Idc (°C Typ.)
EPI100402B37F(-LF)	10.4	.020	4.0	9.2	18.9	50
EPI150322B37F(-LF)	14.6	.028	3.2	13.4	22.3	47
EPI250252B37F(-LF)	24.9	.048	2.5	23	29.1	48
EPI560172B37F(-LF)	56.0	.115	1.7	50	43.8	52
EPI820142B37F(-LF)	82.6	.172	1.4	75	53.3	53
EPI101132B37F(-LF)	99.4	.235	1.3	90	58.2	60
EPI151102B37F(-LF)	151.7	.371	1.0	135	71.7	57
EPI221811B37F(-LF)	219.3	.446	.81	198	86.8	47
EPI331651B37F(-LF)	330.6	.691	.65	308	105.7	47
EPI471531B37F(-LF)	470.9	1.021	.53	448	126.5	46

• Core Loss @ Vt : 25 mW •

Package



Note: Coplanarity within .005" Max.

Notes :	EPIXXXXXB37F	EPIXXXXXB37F-LF
1. Lead Finish	SnPb	Hot Tin Dip (Sn) or (SnCu)
2. Peak Solder Rating (for wave solder process Only)	225°C	260°C
3. Weight	TBD grams	TBD grams
4. Packaging Information (Tray)	TBD pcs / tray	TBD pcs / tray

Unless Otherwise Specified Dimensions are in Inches /mm $\pm .010 / .25$