

EPI AVM3 Series



- Low loss material ensures operation in high frequency switching converters, such as Buck, Boost or as output averaging filter inductor
- Also suitable for use in high quality filter applications
- UL 1446 Class B Insulation System
- UL 94V-0 Recognized Material
- In Header Mount Package
- Low Cost Inductor

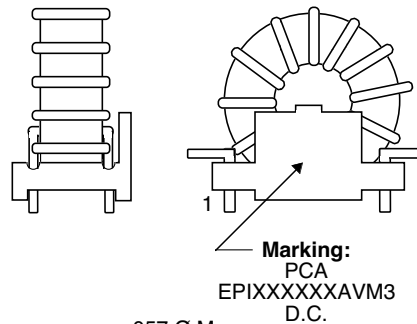
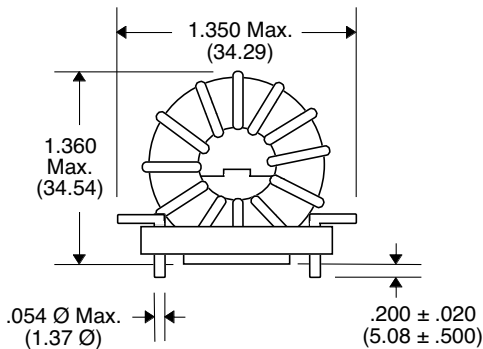
Primary Specification

Part Number	Induct. ($\mu\text{H} \pm 20\%$) @ 0 Adc	Induct. ($\mu\text{H} \pm 15\%$) @ I Sat	DCR (Ω Typ.)	I _{dc} (A)	I Sat (A)	Core Loss (mW) @ Vt	Vt (V- $\mu\text{Sec.}$) @ 100 KHz	Energy (μJ) @ I Sat	Temp. Rise @ I _{dc} (°C)	Schematic
EPI100133AVM3	10.04	7	.006	11.4	13.5	77	11.0	638	21	A
EPI200143AVM3	20.96	14.6	.009	11.4	14.5	106	19.0	1535	20	A
EPI200932AVM3	21.25	14.8	.011	7.8	9.3	77	16.0	640	19	A
EPI220153AVM3	21.38	13.6	.009	15	15	107	19.2	1531	34	B
EPI470153AVM3	45.98	23.3	.010	15	15	107	28.1	2621	38	B
EPI500942AVM3	49.60	34.6	.017	7.6	9.4	106	29.5	1527	18	A
EPI500103AVM3	52.27	36.4	.015	10.5	10.2	134	33.5	1894	23	A
EPI101752AVM3	97.22	65	.024	8.2	7.5	134	45.7	1823	26	A
EPI101802AVM3	95.32	48	.030	8.0	8.0	171	42.0	1544	34	B
EPI101432AVM3	101.68	71	.038	4.4	4.3	77	35.0	655	20	A
EPI151752AVM3	150.58	105	.030	7.7	7.5	171	66.0	2951	18	A
EPI251422AVM3	251.10	175	.077	4.2	4.2	106	66.0	1543	22	A
EPI471202AVM3	478.90	374	.268	2.0	2.0	107	91.0	747	21	B
EPI501192AVM3	504.97	352	.267	1.7	1.9	77	77.9	635	21	A
EPI681102AVM3	686.38	613	.662	1.0	1.0	107	109	307	15	B
EPI751342AVM3	749.33	522	.169	3.4	3.4	171	147.3	3017	19	A
EPI751242AVM3	754.42	526	.341	1.8	2.4	106	114.3	1514	19	A
EPI102212AVM3	1004.40	700	.510	1.5	2.1	106	131.9	1543	20	A
EPI102102AVM3	1027.52	880	.810	1.0	1.0	107	133	440	17	B

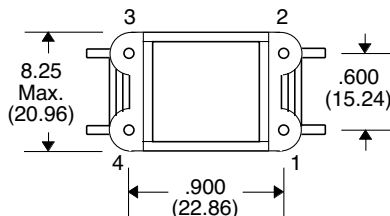
• Switching Frequency : Up to 500 KHz •

Package AVM3

Schematic A



Schematic B



Bottom View

Unless Otherwise Specified Dimensions are in Inches /mm \pm .010 / .25