

EPI AVM2 Series



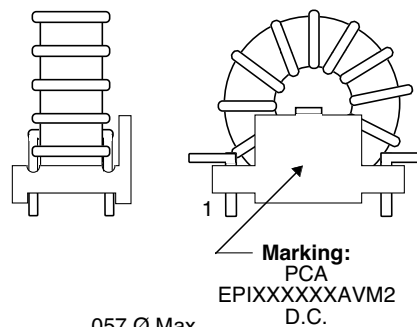
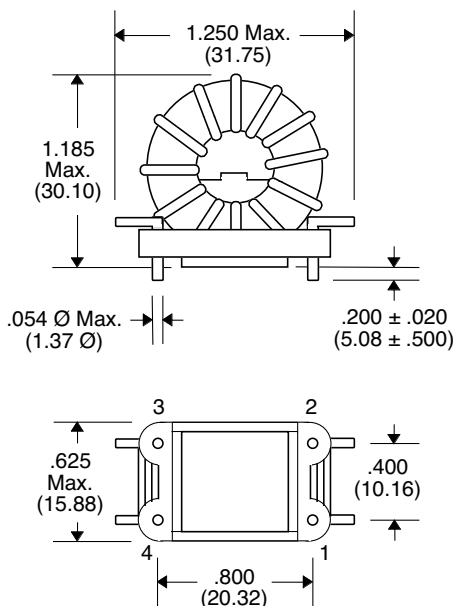
- Low loss material ensures operation in high frequency switching converters, such as Buck, Boost or as output averaging filter inductor
- Also suitable for use in high quality filter applications
- UL 1446 Class B Insulation System
- UL 94V-0 Recognized Material
- In Header Mount Package
- Low Cost Inductor

Primary Specification

Part Number	Induct. ($\mu\text{H} \pm 20\%$) @ 0 Adc	Induct. ($\mu\text{H} \pm 15\%$) @ I Sat	DCR (Ω Typ.)	I _{dc} (A)	I Sat (A)	Core Loss (mW) @ V _t	V _t (V- $\mu\text{Sec.}$) @ 100 KHz	Energy (μJ) @ I Sat	Temp. Rise @ I _{dc} (°C)	Schematic
EPI100113AVM2	9.68	6.7	.0066	8.7	11.1	61	9.4	412	20	A
EPI100153AVM2	10.82	7.0	.006	15	15	91	12	787	33	B
EPI220802AVM2	23.10	16.8	.009	8	8	91	18	537	17	B
EPI330802AVM2	33.86	22.6	.011	8	8	91	21.8	722	20	B
EPI470802AVM2	47.32	25.9	.020	8	8	148	25.5	828	32	B
EPI500492AVM2	50.00	34.5	.023	4.9	4.9	49	21.3	415	21	A
EPI530902AVM2	53.82	29.42	.017	9	9	91	21	1192	33	A
EPI560802AVM2	54.88	28.5	.021	8	8	160	28.5	913	34	B
EPI680802AVM2	69.70	37.6	.025	8	8	91	31	1204	37	B
EPI820902AVM2	82.94	39.26	.021	9	9	91	25.5	1590	40	A
EPI101402AVM2	102.40	73	.048	4	4	91	38	584	21	B
EPI151402AVM2	148.00	104	.060	4.3	4	99	47.6	829	24	A
EPI151402AVM2B	153.66	99	.077	4	4	91	46.5	795	30	B
EPI221202AVM2	222.78	178	.147	2	2	91	56	357	17	B
EPI251222AVM2	250.88	173	.161	1.9	2.2	61	47.8	419	23	A
EPI331202AVM2	331.78	248	.221	2	2	91	68	496	23	B
EPI471102AVM2	473.34	413	.419	1	1	91	82	207	14	B
EPI501332AVM2	499.39	346	.149	3.1	3.3	133	104	1885	20	A

• Switching Frequency : Up to 500 KHz •

Package AVM2



Schematic A



Schematic B



Unless Otherwise Specified Dimensions are in Inches /mm \pm .010 / .25