

Dual USB / Gigabit Filter Port Jacks

EPJ4025

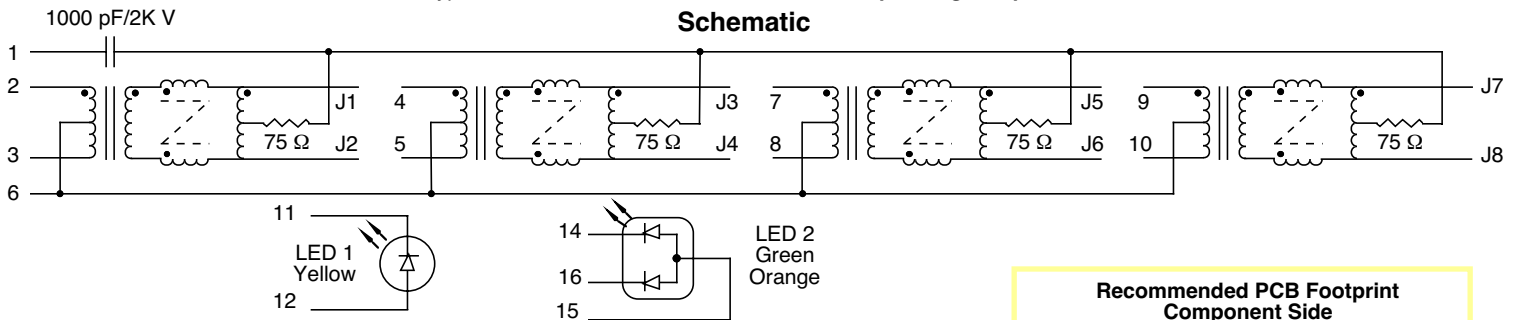


- Space saving RJ-45/USB Connectors •
- Thermo Plastic PBT UL94V-0 Rated Connector Housing •
- Metal Shield : Nickel Plated Copper Alloy •
- Pins : 0.018 Tin-Coated Copper Wire •

Electrical Parameters @ 25° C

| OCL (μ H Min.) | Insertion Loss (dB Max.) | Return Loss (dB Min.) | | CMRR (dB Min.) | CMD (dB Min.) | Turns Ratio (\pm 5%) | Crosstalk (dB Min.) |
|-------------------------|-----------------------------|--------------------------|------------------------|---------------------|---------------------|----------------------------|------------------------|
| | | 1-30 MHz | @ 60 MHz @80 MHz | | | | |
| @ 100 KHz, 100m Vrms | 1-100 MHz | 1-30 MHz | @ 60 MHz @80 MHz | 100 KHz- 100 MHz | 100 KHz- 100 MHz | | 1-100 MHz |
| 8 mA DC Bias | | | | | | | Xmit - Rcv |
| 350 | -1 | -20 | -18 -12 | -30 | -30 | 1CT:1CT | -30 |

• LEDs : Vf=2.1V Typ. @ 20 mA • Isolation : 1500 Vrms • Operating Temperature : 0°C to +70°C •



Recommended PCB Footprint Component Side

Package

Pin Assignment

