

XFP Connector

SPT Series / 10Gbps



Conforming
Standard
XFP



◆ OUTLINE

SPT series is a connector and cage assembly which is compatible to 10Gigabit Small Form-factor Pluggable(XFP) specification of Multi Source Agreement(MSA) for 10G optical transceiver.

◆ FEATURE

- Right Angle 0.8mm pitch, 30 pins SMT connector
- Excellent EMI shield
- Cage assembly is press-fit mounting and serves as a guide rail for transceivers.
- 4.2mm and 6.5mm height heat radiation pins are available.
- RoHS Compliant

◆ APPLICATIONS

10G Fiber Channel, 10G Ethernet, High-end Server

◆ SPECIFICATION

Rated Voltage	120V AC(r.m.s.)
Rated Current	0.5A / Contact
Dielectric Withstanding voltage	350V AC(r.m.s.) for 1 Minute
Insulation Resistance	100M Ω Min. at 250V DC
Contact Resistance	30m Ω Max.

◆ MATERIAL/FINISH

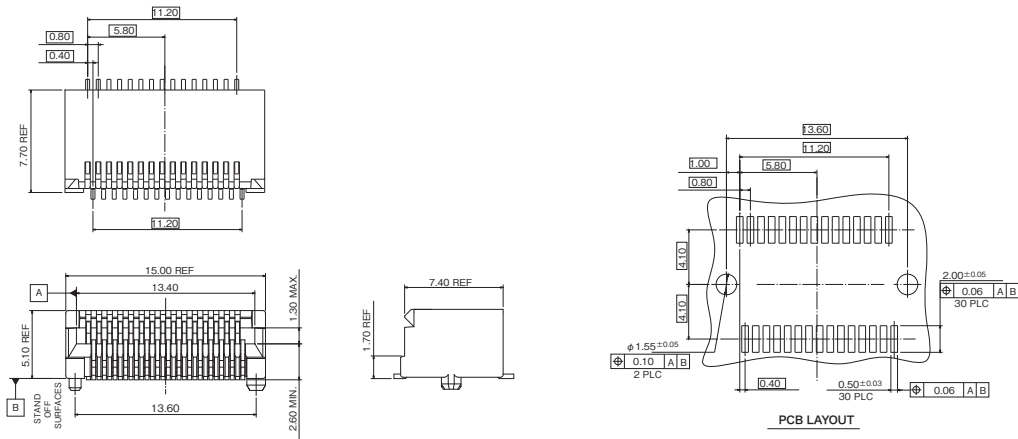


Item	Material/Finish
Contact	Copper Alloy/ Contact Area: Au over Ni Plating Tail Area: Au(Flash) over Ni Plating
Housing	350V AC(r.m.s.) for 1 minute
Cage, Clip, Heat Sink	30m Ω max.

© Specifications and/or dimensions in this catalogue are subject to change without notice.
Your catalogue checking the latest specifications with our drawings would be highly appreciated.

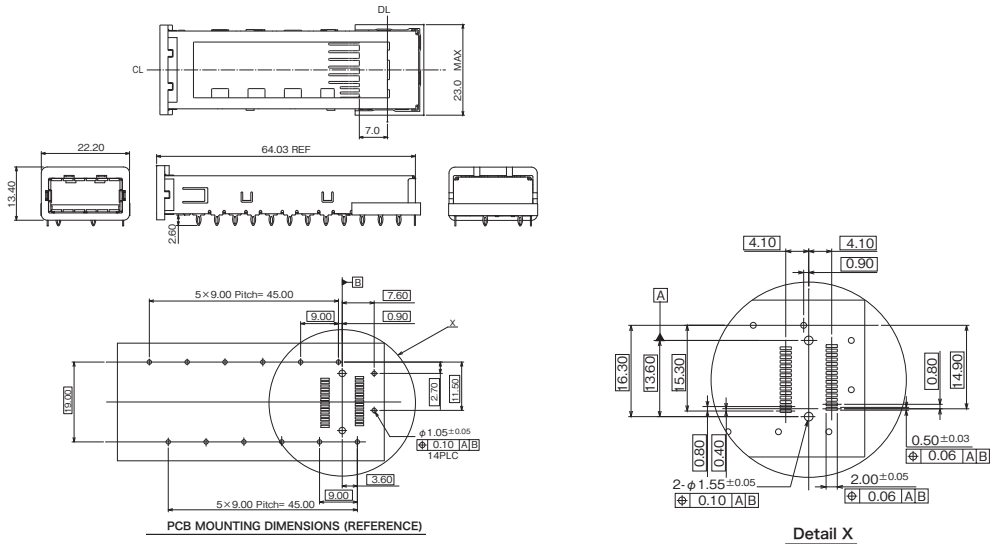
▶ 0.8mm PITCH CONNECTOR

SPT-RSB30B-12-FG



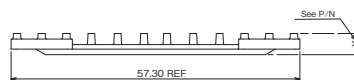
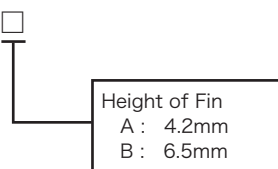
▶ CAGE for XFP

SPT-R030-CA

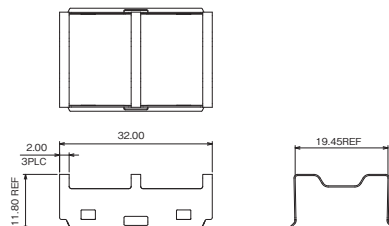


▶ HEAT SINK and CLIP

SPT-R030-HS2



SPT-R030-CP



© Specifications and/or dimensions in this catalogue are subject to change without notice.
 Your catalogue checking the latest specifications with our drawings would be highly appreciated.
<http://www.ddknet.co.jp>