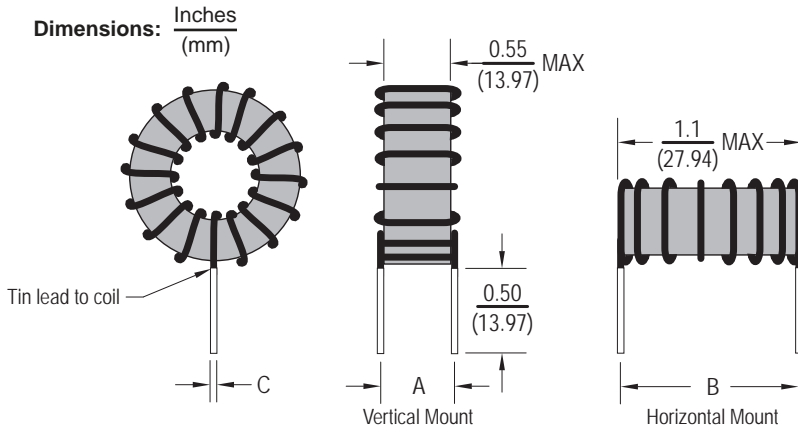




Toroidal Chokes Low Loss TC220LL



Allied Part Number	Inductance (μh) @ 1KHZ	Tolerance (%)	L(μH) @	IDC (A)	DCR (Ω) MAX	DIM A (Nom)	DIM B (Nom)	DIM C (Nom)
()TC220LL-1R0M-RC	1.0	20	.8	26.1	.002	.47	1.05	.053
()TC220LL-1R8M-RC	1.8	20	1.4	22.6	.002	.47	1.05	.053
()TC220LL-2R7M-RC	2.7	20	1.9	20.3	.003	.47	1.05	.053
()TC220LL-3R9M-RC	3.9	20	2.7	18.5	.004	.47	1.05	.053
()TC220LL-4R7M-RC	4.7	20	3.1	17.1	.004	.47	1.05	.053
()TC220LL-6R8M-RC	6.8	20	4.4	16.0	.005	.47	1.05	.053
()TC220LL-8R2M-RC	8.2	20	5.1	15.1	.005	.47	1.05	.053
()TC220LL-100L-RC	10	15	6.0	14.3	.006	.47	1.05	.053
()TC220LL-120L-RC	12	15	6.9	14.2	.006	.47	1.05	.053
()TC220LL-150L-RC	15	15	8.3	13.6	.007	.47	1.05	.053
()TC220LL-180L-RC	18	15	9.7	13.1	.007	.47	1.05	.053
()TC220LL-220L-RC	22	15	11.5	12.6	.008	.47	1.05	.053
()TC220LL-270L-RC	27	15	13.5	11.8	.009	.47	1.05	.053
()TC220LL-330L-RC	33	15	15.7	11.1	.010	.47	1.05	.053
()TC220LL-390L-RC	39	15	18.1	10.8	.011	.47	1.05	.053
()TC220LL-470L-RC	47	15	20.9	10.3	.012	.47	1.05	.053
()TC220LL-560L-RC	56	15	23.9	9.8	.013	.47	1.05	.053
()TC220LL-680L-RC	68	15	33.9	7.6	.022	.45	1.03	.042
()TC220LL-820L-RC	82	15	39.0	7.1	.024	.45	1.03	.042
()TC220LL-101L-RC	100	15	45.6	6.8	.027	.45	1.03	.042
()TC220LL-121L-RC	120	15	63.4	5.1	.047	.43	1.01	.034
()TC220LL-151L-RC	150	15	76.0	4.9	.052	.43	1.01	.034
()TC220LL-181L-RC	180	15	88.5	4.7	.057	.43	1.01	.034
()TC220LL-221L-RC	220	15	103.1	4.4	.063	.43	1.01	.034
()TC220LL-271L-RC	271	15	121.1	4.2	.070	.43	1.01	.034
()TC220LL-331L-RC	330	15	141.9	4.0	.077	.43	1.01	.034
()TC220LL-391L-RC	390	15	161.2	3.8	.084	.43	1.01	.034
()TC220LL-471L-RC	470	15	185.7	3.7	.092	.43	1.01	.034
()TC220LL-561L-RC	560	15	212.0	3.5	.101	.43	1.01	.034
()TC220LL-680L-RC	680	15	307.6	2.7	.176	.47	0.99	.027
()TC220LL-821L-RC	820	15	355.5	2.5	.194	.47	0.99	.027
()TC220LL-102L-RC	1000	15	412.5	2.4	.216	.47	0.99	.027

Please specify Vertical or Horizontal Mount by placing a V or H at the beginning of the part number, i.e. VTC220LL-1R0M (Vertical Mount). All specifications subject to change without notice.

Features

- Low Magnetic Radiation
- Low Core Loss
- High current capacity up to 26A
- Expanded operating temp range
- Low DC Resistance
- Available in Horizontal or Vertical configuration
- Optional Tape Cover

Electrical

Inductance Range: 1.0μh to 1000μh
Additional values available

Tolerance: 20% from 1.0μh to 8.2μh,
15% from 10μh to 1000μh

Test Frequency: 1KHz

Operating Temp: -55°C ~ +125°C

Storage Temp: -55°C ~ +125°C

Temp Rise: ΔT=30°C Typical at rated IDC
Part temperature should not exceed 125°C including temperature rise.

Test Equipment

(L): 100 LCR meter or equivalent

DCR: Chen Hwa 502

Physical

Packaging: Bulk

Marking: None