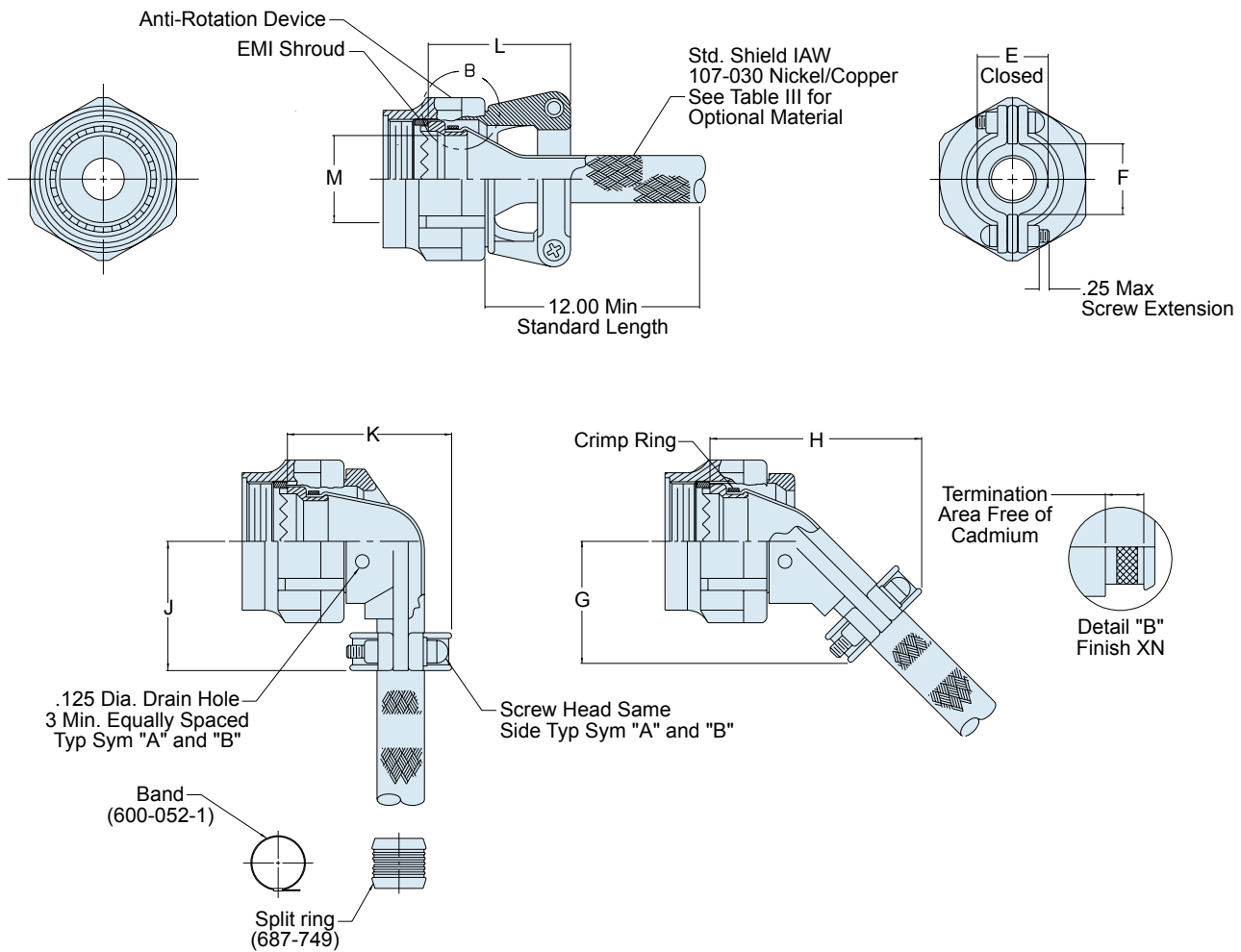
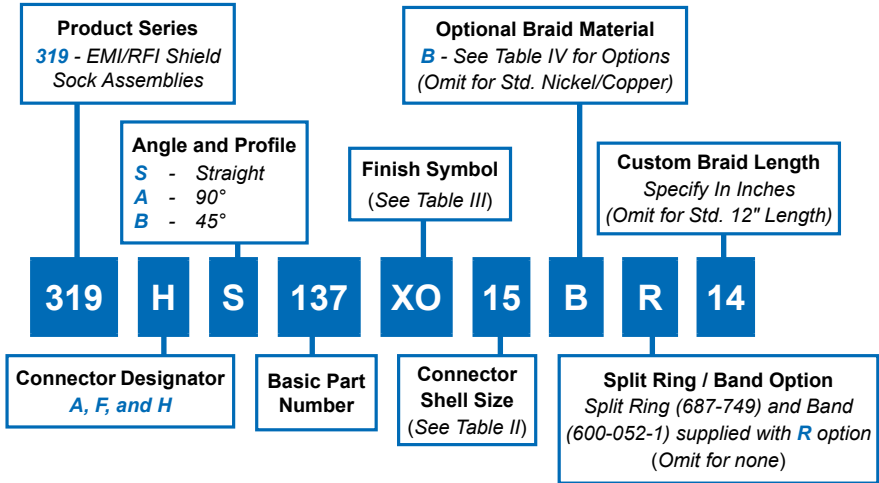


# 319-137 Composite Shield Sock Strain Relief with Self-Locking Rotatable Coupling

A

| CONNECTOR DESIGNATOR:     |   |
|---------------------------|---|
| <b>A</b>                  | MIL-DTL-5015, -26482 Series II, and -83723 Series I and III |
| <b>F</b>                  | MIL-DTL-38999 Series I, II                                  |
| <b>H</b>                  | MIL-DTL-38999 Series III and IV                             |
| <b>SELF-LOCKING</b>       |   |
| <b>ROTATABLE COUPLING</b> |   |
| <b>LOW PROFILE</b>        |   |



# 319-137 Composite Shield Sock Strain Relief with Self-Locking Rotatable Coupling



Composite Backshells

A

| TABLE II: SHELL SIZE |    |             |            |              |              |
|----------------------|----|-------------|------------|--------------|--------------|
| Shell Size           |    | E<br>± .031 | F<br>Min   | G<br>Max     | H<br>Max     |
| A, F                 | H  |             |            |              |              |
| 08                   | 09 | .265 (6.7)  | .22 (5.6)  | .901 (22.9)  | 1.388 (35.3) |
| 10                   | 11 | .310 (7.9)  | .27 (6.9)  | .964 (24.5)  | 1.428 (36.3) |
| 12                   | 13 | .390 (9.9)  | .35 (8.9)  | 1.050 (26.7) | 1.498 (38.0) |
| 14                   | 15 | .506 (12.9) | .47 (11.9) | 1.112 (28.2) | 1.548 (39.3) |
| 16                   | 17 | .591 (15.0) | .55 (14.0) | 1.175 (29.8) | 1.648 (41.9) |
| 18                   | 19 | .661 (16.8) | .62 (15.7) | 1.230 (31.2) | 1.768 (44.9) |
| 20                   | 21 | .744 (18.9) | .70 (17.8) | 1.293 (32.8) | 1.808 (45.9) |
| 22                   | 23 | .826 (21.0) | .78 (19.8) | 1.365 (34.7) | 1.858 (47.2) |
| 24                   | 25 | .896 (22.8) | .85 (21.6) | 1.417 (36.0) | 1.898 (48.2) |

| TABLE II: SHELL SIZE (CONTINUED) |    |             |              |              |               |              |              |
|----------------------------------|----|-------------|--------------|--------------|---------------|--------------|--------------|
| Shell Size                       |    | J<br>Max    | K<br>Max     | L<br>Max     | K Diameter    |              |              |
| A, F                             | H  |             |              |              | A Code        | F Code       | H Code       |
| 08                               | 09 | .91 (23.1)  | 1.128 (28.7) | .939 (23.9)  | .265 (6.7)    | .275 (7.0)   | .264 (6.7)   |
| 10                               | 11 | .97 (24.6)  | 1.168 (29.7) | 1.059 (26.9) | .370 (9.4)    | .412 (10.5)  | .390 (9.9)   |
| 12                               | 13 | 1.06 (26.9) | 1.248 (31.7) | 1.199 (30.5) | .506 (12.9)   | .526 (13.4)  | .504 (12.8)  |
| 14                               | 15 | 1.16 (29.5) | 1.368 (34.7) | 1.199 (30.5) | .580 (14.7)   | .651 (16.5)  | .630 (16.0)  |
| 16                               | 17 | 1.34 (34.0) | 1.448 (36.8) | 1.329 (33.8) | .705 (17.9)   | .776 (19.7)  | .756 (19.2)  |
| 18                               | 19 | 1.41 (35.8) | 1.528 (38.8) | 1.509 (38.3) | .784 (19.9)   | .872 (22.1)  | .843 (21.4)  |
| 20                               | 21 | 1.53 (38.9) | 1.648 (41.9) | 1.609 (40.9) | .909 (23.1)   | 1.007 (25.6) | .969 (24.6)  |
| 22                               | 23 | 1.66 (42.2) | 1.688 (42.9) | 1.759 (44.7) | 1.034 (1.034) | 1.132 (28.8) | 1.091 (27.7) |
| 24                               | 25 | 1.78 (45.2) | 1.758 (44.7) | 1.859 (47.2) | 1.149 (29.2)  | 1.257 (31.9) | 1.217 (30.9) |

| TABLE III: FINISH |  |
|-------------------|--|
| Symbol            | Finish   |
| <b>XB</b>         | Composite Material—No Plating, Color Black, Brass Interface Shroud and Adapter—Nickel Plated                                       |
| <b>XMT</b>        | 2000 Hour Corrosion Resistant Ni-PTFE, Nickel-Fluorocarbon Polymer. <i>1000 Hour Grey™</i>   |
| <b>XN</b>         | Composite Material—No Plating, Color Black and Brown, Brass Interface Shroud and Adapter—Selectively Cadmium Plated (See Detail B) |

| TABLE IV: BRAID TYPE |                            |
|----------------------|----------------------------|
| Symbol               | Braid Type                 |
| A                    | 100% AmberStrand®          |
| B                    | 75%/25% AmberStrand® Blend |
| <i>Standard</i>      | Nickel/Copper 34awg        |
| T                    | Tin/Copper 34awg           |

- | NOTES   |
|---|
| 1. See composite thermoplastic shield sock assembly procedure for detailed installation instructions. |
| 2. See Table I in Intro for front-end dimensional details.  |
| 3. Coupling nut supplied unplated.  |