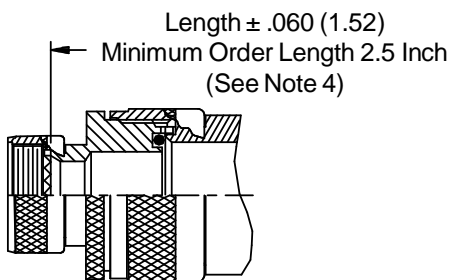
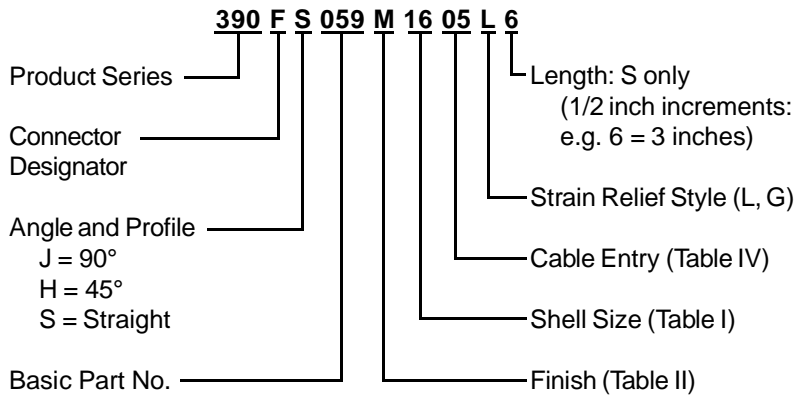
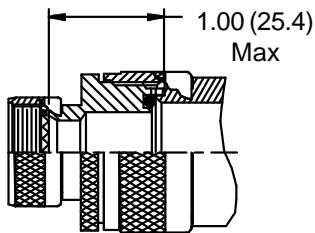


**CONNECTOR
 DESIGNATORS
 A-F-H-L-S
 SELF-LOCKING
 ROTATABLE
 COUPLING**

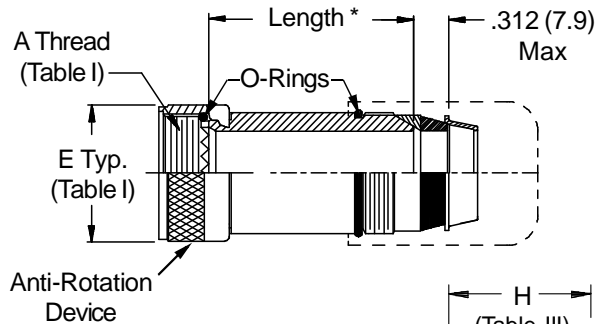
**TYPE C OVERALL
 SHIELD TERMINATION**



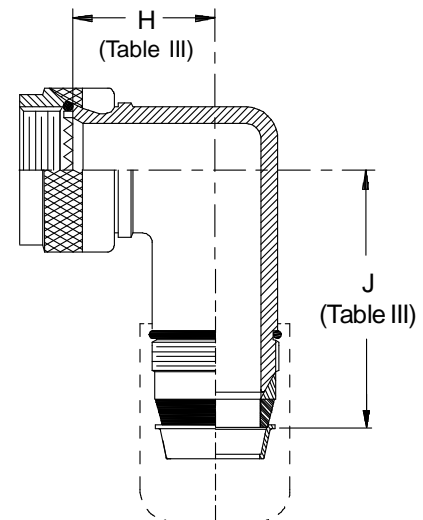
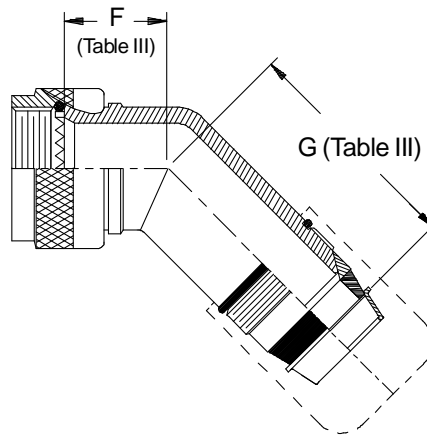
**STYLE 2
 (STRAIGHT
 See Note 1)**



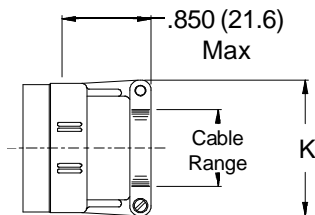
**STYLE 2
 (45° & 90°
 See Note 1)**



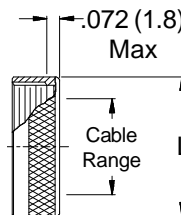
* Length $\pm .060$ (1.52)
 Minimum Order Length 2.0 Inch (See Note 4)



**STYLE L
 Light Duty
 (Table IV)**



**STYLE G
 Light Duty
 (Table IV)**



390-059
Splash-Proof EMI/RFI Cable Sealing Backshell
Light-Duty with Strain Relief
Type C - Self-Locking Rotatable Coupling - Standard Profile



See inside back cover
 fold-out or pages 13 and
 14 for Tables I and II.

TABLE III: ELBOW DIMENSIONS

Shell Size		F		G		H		J	
Conn. Desig.	H	Max	(mm)	Max	(mm)	Max	(mm)	Max	(mm)
A-F-L-S									
08	09	.795	(20.2)	2.210	(56.1)	.906	(23.0)	2.080	(52.8)
10	11	.820	(20.8)	2.270	(57.7)	.966	(24.5)	2.120	(53.8)
12	13	.844	(21.4)	2.330	(59.2)	1.026	(26.1)	2.090	(53.1)
14	15	.861	(21.9)	2.420	(61.5)	1.076	(27.3)	2.090	(53.1)
16	17	.888	(22.6)	2.530	(64.3)	1.136	(28.9)	2.130	(54.1)
18	19	.904	(23.0)	2.720	(69.1)	1.176	(29.9)	2.250	(57.2)
20	21	.929	(23.6)	2.720	(69.1)	1.236	(31.4)	2.180	(55.4)
22	23	.956	(24.3)	2.870	(72.9)	1.296	(32.9)	2.240	(56.9)
24	25	.979	(24.9)	2.870	(72.9)	1.356	(34.4)	2.170	(55.1)
28		1.197	(30.4)	3.020	(76.7)	1.636	(41.6)	2.320	(58.9)
32		1.280	(32.5)	3.270	(83.1)	1.780	(45.2)	2.570	(65.3)
36		1.294	(32.9)	3.500	(88.9)	1.876	(47.7)	2.800	(71.1)

TABLE IV: CABLE ENTRY

Dash No.	K Max	L Max	Cable Range	
			Min	Max
01	.781 (19.8)	.593 (15.1)	.062 (1.6)	.125 (3.2)
02	.968 (24.6)	.718 (18.2)	.125 (3.2)	.250 (6.4)
03	1.046 (26.6)	.843 (21.4)	.250 (6.4)	.375 (9.5)
04	1.156 (29.4)	.968 (24.6)	.375 (9.5)	.500 (12.7)
05	1.218 (30.9)	1.109 (28.2)	.500 (12.7)	.625 (15.9)
06	1.343 (34.1)	1.218 (30.9)	.625 (15.9)	.750 (19.1)
07	1.468 (37.3)	1.343 (34.1)	.750 (19.1)	.875 (22.2)
08	1.593 (40.5)	1.468 (37.3)	.875 (22.2)	1.000 (25.4)
09	1.718 (43.6)	1.593 (40.5)	1.000 (25.4)	1.125 (28.6)
10	1.843 (46.8)	1.718 (43.6)	1.125 (28.6)	1.250 (31.8)

1. When maximum cable entry (page 21) is exceeded, Style 2 will be supplied. Dimensions F, G, H and J will not apply. Please consult factory.
2. Metric dimensions (mm) are indicated in parentheses.
3. Cable range is defined as the accommodations range for the wire bundle or cable. Dimensions shown are not intended for inspection criteria.
4. Consult factory for shorter lengths on straight backshells.
5. Interface O-Ring not supplied with Connector Designator A.