

DeviceNet Mini-Style Connectors

CM03A Series (Panel Mount Connector)



◆ OUTLINE

The CM03A series is a Mini-style of the panel mount connector for use in a DeviceNet communication network. DDK is manufacturing the receptacles with pin contacts and the plug-receptacles with socket contacts. The connectors are provided with a premating contact which is a first make-last break contact to protect the circuit. When mated, the premating contact is connected first before the other contacts are disconnected last when dismated.



Four (4) positions of connectors are available for

DiviceNet power tap as well as five (5) positions of connectors. CM03A series is IP67 rated and can be used in a wide range of devices and equipment. This series is intermateble with the plug connectors and the jack connectors in our CM03A series(overmolded cable assemblies) and CM03 series.

◆ FEATURES

- Intermateable with the plug and jack of CM03A cable assemblies and CM03 series
- First make-last break contact to protect the circuit
- Solder termination style
- UL certified (File No. E72124)

◆ SPECIFICATIONS

Rated Current	13A/Contact
Rated Voltage	50V DC
Dielectric Withstanding Voltage	1,600V AC(r.m.s.) for 1 minute
Insulation Resistance	1,000 MΩ Min. at 250V DC
Operating Temperature Range	-40 °C to +70 °C
Waterproof	IP67 when mated
Pin Contact Size	φ 2.0 mm
Applicable Wire Size	AWG14 max.
No. of Contacts	4 and 5

◆ MATERIALS/FINISH



Item	Receptacle(Pin)	Plug Receptacle(Socket)
Contact	Copper Alloy / Gold Plating	Copper Alloy / Gold Plating
O-Ring		Synthetic Rubber / Black
Insulator	Plastic(UL94V-0) / Gray	Plastic(UL94V-0) / Gray
Shell	Zinc Alloy / Nickel Plating	Zinc Alloy / Nickel Plating
Lock Nut	Steel / Zinc Plating	Steel / Zinc Plating
Gasket	Synthetic Rubber / Black	Synthetic Rubber / Black

Conforming Standard

DeviceNet



Waterproof

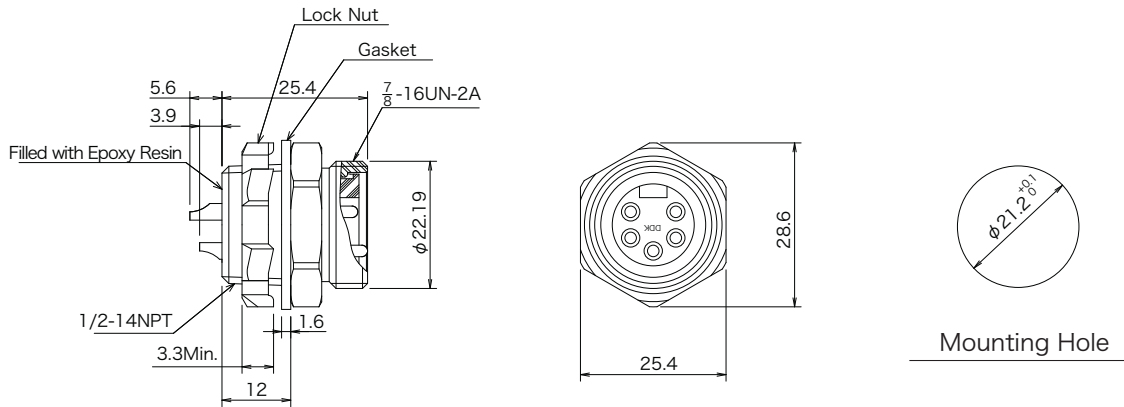
IP 67

Lock Type



Threaded Coupling

▶ Receptacle With Pin Contacts

No. of Contacts	Lock Nut	Panel Gasket	P/N
4 Contacts 	With	Non	CM03A-R4P-S
	Non	Non	CM03A-R4P-S-0
	With	With	CM03A-R4P-S-1
5 Contacts 	With	Non	CM03A-R5P-S
	Non	Non	CM03A-R5P-S-0
	With	With	CM03A-R5P-S-1



▶ Plug Receptacle With Socket Contacts

No. of Contacts	Lock Nut	Panel Gasket	P/N
4 Contacts 	With	Non	CM03A-PR4S-S
	Non	Non	CM03A-PR4S-S-0
	With	With	CM03A-PR4S-S-1
5 Contacts 	With	Non	CM03A-PR5S-S
	Non	Non	CM03A-PR5S-S-0
	With	With	CM03A-PR5S-S-1

