

The revision list can be viewed directly by clicking the title page.

The revision list summarizes the locations of revisions and additions. Details should always be checked by referring to the relevant text.

# 16

## H8S/2282 Group, H8S/2280 Group Hardware Manual

### Renesas 16-Bit Single-Chip Microcomputer H8S Family/H8S/2200 Series

H8S/2282F	HD64F2282
H8S/2282	HD6432282
H8S/2281	HD6432281
H8S/2280	HD64F2280B
	HD64F2280RB

## Keep safety first in your circuit designs!

1. Renesas Technology Corp. puts the maximum effort into making semiconductor products better and more reliable, but there is always the possibility that trouble may occur with them. Trouble with semiconductors may lead to personal injury, fire or property damage.  
Remember to give due consideration to safety when making your circuit designs, with appropriate measures such as (i) placement of substitutive, auxiliary circuits, (ii) use of nonflammable material or (iii) prevention against any malfunction or mishap.

## Notes regarding these materials

1. These materials are intended as a reference to assist our customers in the selection of the Renesas Technology Corp. product best suited to the customer's application; they do not convey any license under any intellectual property rights, or any other rights, belonging to Renesas Technology Corp. or a third party.
2. Renesas Technology Corp. assumes no responsibility for any damage, or infringement of any third-party's rights, originating in the use of any product data, diagrams, charts, programs, algorithms, or circuit application examples contained in these materials.
3. All information contained in these materials, including product data, diagrams, charts, programs and algorithms represents information on products at the time of publication of these materials, and are subject to change by Renesas Technology Corp. without notice due to product improvements or other reasons. It is therefore recommended that customers contact Renesas Technology Corp. or an authorized Renesas Technology Corp. product distributor for the latest product information before purchasing a product listed herein.  
The information described here may contain technical inaccuracies or typographical errors.  
Renesas Technology Corp. assumes no responsibility for any damage, liability, or other loss rising from these inaccuracies or errors.  
Please also pay attention to information published by Renesas Technology Corp. by various means, including the Renesas Technology Corp. Semiconductor home page (<http://www.renesas.com>).
4. When using any or all of the information contained in these materials, including product data, diagrams, charts, programs, and algorithms, please be sure to evaluate all information as a total system before making a final decision on the applicability of the information and products. Renesas Technology Corp. assumes no responsibility for any damage, liability or other loss resulting from the information contained herein.
5. Renesas Technology Corp. semiconductors are not designed or manufactured for use in a device or system that is used under circumstances in which human life is potentially at stake. Please contact Renesas Technology Corp. or an authorized Renesas Technology Corp. product distributor when considering the use of a product contained herein for any specific purposes, such as apparatus or systems for transportation, vehicular, medical, aerospace, nuclear, or undersea repeater use.
6. The prior written approval of Renesas Technology Corp. is necessary to reprint or reproduce in whole or in part these materials.
7. If these products or technologies are subject to the Japanese export control restrictions, they must be exported under a license from the Japanese government and cannot be imported into a country other than the approved destination.  
Any diversion or reexport contrary to the export control laws and regulations of Japan and/or the country of destination is prohibited.
8. Please contact Renesas Technology Corp. for further details on these materials or the products contained therein.

## General Precautions on Handling of Product

### 1. Treatment of NC Pins

Note: Do not connect anything to the NC pins.

The NC (not connected) pins are either not connected to any of the internal circuitry or are used as test pins or to reduce noise. If something is connected to the NC pins, the operation of the LSI is not guaranteed.

### 2. Treatment of Unused Input Pins

Note: Fix all unused input pins to high or low level.

Generally, the input pins of CMOS products are high-impedance input pins. If unused pins are in their open states, intermediate levels are induced by noise in the vicinity, a pass-through current flows internally, and a malfunction may occur.

### 3. Processing before Initialization

Note: When power is first supplied, the product's state is undefined.

The states of internal circuits are undefined until full power is supplied throughout the chip and a low level is input on the reset pin. During the period where the states are undefined, the register settings and the output state of each pin are also undefined. Design your system so that it does not malfunction because of processing while it is in this undefined state. For those products which have a reset function, reset the LSI immediately after the power supply has been turned on.

### 4. Prohibition of Access to Undefined or Reserved Addresses

Note: Access to undefined or reserved addresses is prohibited.

The undefined or reserved addresses may be used to expand functions, or test registers may have been allocated to these addresses. Do not access these registers; the system's operation is not guaranteed if they are accessed.

# Configuration of This Manual

This manual comprises the following items:

1. General Precautions on Handling of Product
2. Configuration of This Manual
3. Preface
4. Contents
5. Overview
6. Description of Functional Modules
  - CPU and System-Control Modules
  - On-Chip Peripheral Modules

The configuration of the functional description of each module differs according to the module. However, the generic style includes the following items:

- i) Feature
- ii) Input/Output Pin
- iii) Register Description
- iv) Operation
- v) Usage Note

When designing an application system that includes this LSI, take notes into account. Each section includes notes in relation to the descriptions given, and usage notes are given, as required, as the final part of each section.

7. List of Registers
8. Electrical Characteristics
9. Appendix
10. Main Revisions for This Edition (only for revised versions)

The list of revisions is a summary of points that have been revised or added to earlier versions. This does not include all of the revised contents. For details, see the actual locations in this manual.

11. Index

# Preface

This LSI is a single-chip microcomputer made up of the high-speed H8S/2000 CPU as its core, and the peripheral functions required to configure a system.

This LSI is equipped with ROM, RAM, a 16-bit timer pulse unit, a watchdog timer, serial communication interfaces, a controller area network, an A/D converter, a motor control PWM timer, an LCD controller/driver (LCD), a clock pulse generator, and I/O ports as on-chip peripheral modules. This LSI is suitable for use as an embedded processor for high-level control systems. Its on-chip ROM is flash memory (F-ZTAT™\*) that provides flexibility as it can be reprogrammed in no time to cope with all situations from the early stages of mass production to full-scale mass production. This is particularly applicable to application devices with specifications that will most probably change.

Note: \* F-ZTAT is a trademark of Renesas Technology Corp.

**Target Users:** This manual was written for users who will be using the H8S/2282 Group and H8S/2280 Group in the design of application systems. Target users are expected to understand the fundamentals of electrical circuits, logical circuits, and microcomputers.

**Objective:** This manual was written to explain the hardware functions and electrical characteristics of the H8S/2282 Group to the target users.  
See the H8S/2600 Series, H8S/2000 Series Software Manual for a detailed description of the instruction set.

Notes on reading this manual:

- In order to understand the overall functions of the chip  
Read the manual according to the contents. This manual can be roughly categorized into parts on the CPU, system control functions, peripheral functions and electrical characteristics.
- In order to understand the details of the CPU's functions  
Read the H8S/2600 Series, H8S/2000 Series Software Manual.
- In order to understand the details of a register when its name is known  
Read the index that is the final part of the manual to find the page number of the entry on the register. The addresses, bits, and initial values of the registers are summarized in section 20, List of Registers.

- Examples: Register name: The following notation is used for cases when the same or a similar function, e.g. serial communication interfaces, is implemented on more than one channel:  
 XXX\_N (XXX is the register name and N is the channel number)
- Bit order: The MSB is on the left and the LSB is on the right.
- Number notation: Binary is B'xxxx, hexadecimal is H'xxxx, decimal is xxxx
- Signal notation: An overbar is added to a low-active signal:  $\overline{\text{xxxx}}$

Related Manuals: The latest versions of all related manuals are available from our web site. Please ensure you have the latest versions of all documents you require.  
 (<http://www.renesas.com/eng/>)

H8S/2282 Group, H8S/2280 Group manuals:

Document Title	Document No.
H8S/2282 Group, H8S/2280 Group Hardware Manual	This manual
H8S/2600 Series, H8S/2000 Series Software Manual	REJ09B0139

User's manuals for development tools:

Document Title	Document No.
H8S, H8/300 Series C/C++ Compiler, Assembler, Optimizing Linkage Editor Compiler Package Ver. 6.01 User's Manual	REJ10B0161
H8S, H8/300 Series Simulator/Debugger (for Windows) User's Manual	REJ10B0211
H8S, H8/300 Series Embedded Workshop, Debugging Interface Tutorial	ADE-702-231
High-performance Embedded Workshop User's Manual	ADE-702-201

# Contents

Section 1 Overview .....	1
1.1 Overview .....	1
1.2 Internal Block Diagram.....	2
1.3 Pin Arrangement .....	5
1.4 Pin Functions .....	8
1.4.1 H8S/2282 Group and H8S/2280 Group (HD64F2280B) Pin Functions .....	8
1.4.2 H8S/2280 Group (HD64F2280RB) Pin Functions .....	14
Section 2 CPU .....	21
2.1 Features .....	21
2.1.1 Differences between H8S/2600 CPU and H8S/2000 CPU .....	22
2.1.2 Differences from H8/300 CPU .....	23
2.1.3 Differences from H8/300H CPU.....	23
2.2 CPU Operating Modes .....	24
2.2.1 Normal Mode.....	24
2.2.2 Advanced Mode.....	26
2.3 Address Space .....	28
2.4 Register Configuration .....	29
2.4.1 General Registers .....	30
2.4.2 Program Counter (PC) .....	31
2.4.3 Extended Control Register (EXR) .....	31
2.4.4 Condition-Code Register (CCR).....	32
2.4.5 Initial Values of CPU Registers .....	33
2.5 Data Formats .....	34
2.5.1 General Register Data Formats .....	34
2.5.2 Memory Data Formats .....	36
2.6 Instruction Set .....	37
2.6.1 Table of Instructions Classified by Function .....	38
2.6.2 Basic Instruction Formats .....	47
2.7 Addressing Modes and Effective Address Calculation .....	49
2.7.1 Register Direct—Rn.....	49
2.7.2 Register Indirect—@ERn .....	49
2.7.3 Register Indirect with Displacement—@(d:16, ERn) or @(d:32, ERn).....	50
2.7.4 Register Indirect with Post-Increment or Pre-Decrement—@ERn+ or @-ERn..	50
2.7.5 Absolute Address—@aa:8, @aa:16, @aa:24, or @aa:32.....	50
2.7.6 Immediate—#xx:8, #xx:16, or #xx:32 .....	51
2.7.7 Program-Counter Relative—@(d:8, PC) or @(d:16, PC).....	51

2.7.8	Memory Indirect—@@aa:8 .....	51
2.7.9	Effective Address Calculation .....	52
2.8	Processing States.....	55
2.9	Usage Note.....	56
2.9.1	Note on Bit Manipulation Instructions.....	56
<b>Section 3 MCU Operating Modes .....</b>		<b>57</b>
3.1	Operating Mode Selection .....	57
3.2	Register Descriptions .....	57
3.2.1	Mode Control Register (MDCR) .....	58
3.2.2	System Control Register (SYSCR) .....	58
3.3	Pin Functions in Each Operating Mode .....	59
3.4	Address Map .....	60
<b>Section 4 Exception Handling .....</b>		<b>63</b>
4.1	Exception Handling Types and Priority .....	63
4.2	Exception Sources and Exception Vector Table .....	63
4.3	Reset.....	65
4.3.1	Reset Exception Handling.....	65
4.3.2	Interrupts after Reset.....	67
4.3.3	State of On-Chip Peripheral Modules after Reset Release.....	68
4.4	Traces.....	68
4.5	Interrupts.....	69
4.6	Trap Instruction.....	70
4.7	Stack Status after Exception Handling.....	71
4.8	Usage Note.....	72
<b>Section 5 Interrupt Controller .....</b>		<b>73</b>
5.1	Features.....	73
5.2	Input/Output Pins .....	75
5.3	Register Descriptions .....	75
5.3.1	Interrupt Priority Registers A to G, J, K, M (IPRA to IPRG, IPRJ, IPRK, IPRM) .....	76
5.3.2	IRQ Enable Register (IER) .....	77
5.3.3	IRQ Sense Control Registers H and L (ISCRH, ISCRL).....	78
5.3.4	IRQ Status Register (ISR).....	80
5.4	Interrupt Sources.....	81
5.4.1	External Interrupts .....	81
5.4.2	Internal Interrupts.....	82
5.5	Interrupt Exception Handling Vector Table.....	82
5.6	Interrupt Control Modes and Interrupt Operation.....	84



5.6.1	Interrupt Control Mode 0 .....	85
5.6.2	Interrupt Control Mode 2 .....	87
5.6.3	Interrupt Exception Handling Sequence .....	88
5.6.4	Interrupt Response Times .....	90
5.7	Usage Notes .....	91
5.7.1	Contention between Interrupt Generation and Disabling .....	91
5.7.2	Instructions that Disable Interrupts .....	92
5.7.3	When Interrupts Are Disabled .....	92
5.7.4	Interrupts during Execution of EEPMOV Instruction.....	93
5.7.5	IRQ Interrupts .....	93
<b>Section 6 Bus Controller .....</b>		<b>95</b>
6.1	Basic Timing .....	95
6.1.1	On-Chip Memory Access Timing (ROM, RAM) .....	95
6.1.2	On-Chip Peripheral Module Access Timing .....	96
6.1.3	On-Chip HCAN Module Access Timing .....	97
6.1.4	On-Chip PWM, LCD, Ports H and J Module Access Timing .....	98
<b>Section 7 I/O Ports .....</b>		<b>99</b>
7.1	Port 1 .....	106
7.1.1	Port 1 Data Direction Register (P1DDR).....	106
7.1.2	Port 1 Data Register (P1DR).....	107
7.1.3	Port 1 Register (PORT1).....	107
7.1.4	Pin Functions .....	108
7.2	Port 3 .....	116
7.2.1	Port 3 Data Direction Register (P3DDR).....	116
7.2.2	Port 3 Data Register (P3DR).....	117
7.2.3	Port 3 Register (PORT3).....	117
7.2.4	Port 3 Open-Drain Control Register (P3ODR) .....	118
7.2.5	Pin Functions .....	119
7.3	Port 4 .....	121
7.3.1	Port 4 Register (PORT4).....	121
7.3.2	Pin Functions .....	122
7.4	Port A .....	123
7.4.1	Port A Data Direction Register (PADDR) .....	123
7.4.2	Port A Data Register (PADR).....	124
7.4.3	Port A Register (PORTA).....	124
7.4.4	Port A Open Drain Control Register (PAODR).....	125
7.4.5	H8S/2282 Group and H8S/2280 Group (HD64F2280B) Pin Functions .....	125
7.4.6	H8S/2280 Group (HD64F2280RB) Pin Functions .....	126
7.5	Port B .....	127

7.5.1	Port B Data Direction Register (PBDDR).....	127
7.5.2	Port B Data Register (PBDR) .....	128
7.5.3	Port B Register (PORTB) .....	128
7.5.4	Port B Open Drain Control Register (PBODR) .....	129
7.5.5	H8S/2282 Group and H8S/2280 Group (HD64F2280B) Pin Functions .....	129
7.5.6	H8S/2280 Group (HD64F2280RB) Pin Functions .....	130
7.6	Port C.....	131
7.6.1	Port C Data Direction Register (PCDDR).....	131
7.6.2	Port C Data Register (PCDR) .....	132
7.6.3	Port C Register (PORTC) .....	132
7.6.4	Port C Open Drain Control Register (PCODR) .....	133
7.6.5	H8S/2282 Group and H8S/2280 Group (HD64F2280B) Pin Functions .....	133
7.6.6	H8S/2280 Group (HD64F2280RB) Pin Functions .....	134
7.7	Port D.....	135
7.7.1	Port D Data Direction Register (PDDDR) .....	135
7.7.2	Port D Data Register (PDDR).....	135
7.7.3	Port D Register (PORTD).....	136
7.7.4	H8S/2282 Group and H8S/2280 Group (HD64F2280B) Pin Functions .....	136
7.7.5	H8S/2280 Group (HD64F2280RB) Pin Functions .....	137
7.8	Port F.....	138
7.8.1	Port F Data Direction Register (PFDDR) .....	138
7.8.2	Port F Data Register (PFDR) .....	139
7.8.3	Port F Register (PORTF) .....	139
7.8.4	H8S/2282 Group and H8S/2280 Group (HD64F2280B) Pin Functions .....	140
7.8.5	H8S/2280 Group (HD64F2280RB) Pin Functions .....	142
7.9	Port H.....	144
7.9.1	Port H Data Direction Register (PHDDR) .....	144
7.9.2	Port H Data Register (PHDR).....	145
7.9.3	Port H Register (PORTH).....	145
7.9.4	Pin Functions .....	146
7.10	Port J.....	148
7.10.1	Port J Data Direction Register (PJDDR).....	148
7.10.2	Port J Data Register (PJDR).....	149
7.10.3	Port J Register (PORTJ).....	149
7.10.4	Pin Functions .....	150
7.11	Pin Switch Function.....	152
7.11.1	Transport Register (TRPRT).....	152
7.11.2	Reading of Port Registers by Switching the Pin .....	152
Section 8 16-Bit Timer Pulse Unit (TPU).....		155
8.1	Features.....	155

8.2	Input/Output Pins .....	159
8.3	Register Descriptions .....	159
8.3.1	Timer Control Register (TCR) .....	160
8.3.2	Timer Mode Register (TMDR) .....	164
8.3.3	Timer I/O Control Register (TIOR) .....	166
8.3.4	Timer Interrupt Enable Register (TIER) .....	175
8.3.5	Timer Status Register (TSR) .....	177
8.3.6	Timer Counter (TCNT) .....	180
8.3.7	Timer General Register (TGR) .....	180
8.3.8	Timer Start Register (TSTR) .....	180
8.3.9	Timer Synchro Register (TSYR) .....	181
8.4	Operation .....	182
8.4.1	Basic Functions .....	182
8.4.2	Synchronous Operation .....	187
8.4.3	Buffer Operation .....	190
8.4.4	PWM Modes .....	194
8.4.5	Phase Counting Mode .....	198
8.5	Interrupts .....	206
8.6	A/D Converter Activation .....	207
8.7	Operation Timing .....	208
8.7.1	Input/Output Timing .....	208
8.7.2	Interrupt Signal Timing .....	212
8.8	Usage Notes .....	216
8.8.1	Module Stop Mode Setting .....	216
8.8.2	Input Clock Restrictions .....	216
8.8.3	Caution on Period Setting .....	217
8.8.4	Contention between TCNT Write and Clear Operations .....	217
8.8.5	Contention between TCNT Write and Increment Operations .....	218
8.8.6	Contention between TGR Write and Compare Match .....	219
8.8.7	Contention between Buffer Register Write and Compare Match .....	220
8.8.8	Contention between TGR Read and Input Capture .....	221
8.8.9	Contention between TGR Write and Input Capture .....	222
8.8.10	Contention between Buffer Register Write and Input Capture .....	223
8.8.11	Contention between Overflow/Underflow and Counter Clearing .....	224
8.8.12	Contention between TCNT Write and Overflow/Underflow .....	225
8.8.13	Multiplexing of I/O Pins .....	225
8.8.14	Interrupts in Module Stop Mode .....	225
8.8.15	Interrupts in Subactive Mode/Watch Mode .....	226
Section 9 Watchdog Timer .....		227
9.1	Features .....	227

9.2	Register Descriptions .....	229
9.2.1	Timer Counter 0 and 1 (TCNT_0 and TCNT_1) .....	229
9.2.2	Timer Control/Status Register 0 and 1 (TCSR_0 and TCSR_1).....	230
9.2.3	Reset Control/Status Register (RSTCSR) .....	234
9.3	Operation .....	235
9.3.1	Watchdog Timer Mode .....	235
9.3.2	Interval Timer Mode.....	237
9.4	Interrupts.....	237
9.5	Usage Notes .....	238
9.5.1	Notes on Register Access.....	238
9.5.2	Contention between Timer Counter (TCNT) Write and Increment .....	239
9.5.3	Changing Value of CKS2 to CKS0.....	239
9.5.4	Switching between Watchdog Timer Mode and Interval Timer Mode.....	240
9.5.5	Internal Reset in Watchdog Timer Mode.....	240
9.5.6	OVF Flag Clearing in Interval Timer Mode .....	240
Section 10 Serial Communication Interface (SCI) .....		241
10.1	Features.....	241
10.2	Input/Output Pins.....	243
10.3	Register Descriptions .....	243
10.3.1	Receive Shift Register (RSR) .....	244
10.3.2	Receive Data Register (RDR) .....	244
10.3.3	Transmit Data Register (TDR).....	244
10.3.4	Transmit Shift Register (TSR) .....	244
10.3.5	Serial Mode Register (SMR).....	245
10.3.6	Serial Control Register (SCR).....	248
10.3.7	Serial Status Register (SSR) .....	251
10.3.8	Smart Card Mode Register (SCMR).....	255
10.3.9	Bit Rate Register (BRR) .....	256
10.4	Operation in Asynchronous Mode .....	263
10.4.1	Data Transfer Format .....	263
10.4.2	Receive Data Sampling Timing and Reception Margin in Asynchronous Mode .....	265
10.4.3	Clock.....	266
10.4.4	SCI Initialization (Asynchronous Mode).....	267
10.4.5	Data Transmission (Asynchronous Mode).....	268
10.4.6	Serial Data Reception (Asynchronous Mode).....	270
10.5	Multiprocessor Communication Function.....	274
10.5.1	Multiprocessor Serial Data Transmission .....	275
10.5.2	Multiprocessor Serial Data Reception .....	276
10.6	Operation in Clocked Synchronous Mode .....	280

10.6.1	Clock .....	280
10.6.2	SCI Initialization (Clocked Synchronous Mode) .....	281
10.6.3	Serial Data Transmission (Clocked Synchronous Mode) .....	282
10.6.4	Serial Data Reception (Clocked Synchronous Mode).....	285
10.6.5	Simultaneous Serial Data Transmission and Reception (Clocked Synchronous Mode) .....	287
10.7	Operation in Smart Card Interface .....	289
10.7.1	Pin Connection Example.....	289
10.7.2	Data Format (Except for Block Transfer Mode).....	290
10.7.3	Block Transfer Mode .....	291
10.7.4	Receive Data Sampling Timing and Reception Margin in Smart Card Interface Mode.....	292
10.7.5	Initialization .....	293
10.7.6	Data Transmission (Except for Block Transfer Mode).....	294
10.7.7	Serial Data Reception (Except for Block Transfer Mode).....	297
10.7.8	Clock Output Control.....	298
10.8	Interrupts .....	300
10.8.1	Interrupts in Normal Serial Communication Interface Mode .....	300
10.8.2	Interrupts in Smart Card Interface Mode .....	301
10.9	Usage Notes .....	302
10.9.1	Module Stop Mode Setting .....	302
10.9.2	Break Detection and Processing .....	302
10.9.3	Mark State and Break Detection .....	302
10.9.4	Receive Error Flags and Transmit Operations (Clocked Synchronous Mode Only) .....	302
10.9.5	SCI Operations during Mode Transitions .....	303
10.9.6	Notes when Switching from SCK Pin to Port Pin.....	307
Section 11 Controller Area Network (HCAN) [H8S/2282 Group Only].....		309
11.1	Features .....	309
11.2	Input/Output Pins .....	311
11.3	Register Descriptions .....	311
11.3.1	Master Control Register (MCR).....	312
11.3.2	General Status Register (GSR) .....	313
11.3.3	Bit Configuration Register (BCR) .....	315
11.3.4	Mailbox Configuration Register (MBCR) .....	317
11.3.5	Transmit Wait Register (TXPR) .....	318
11.3.6	Transmit Wait Cancel Register (TXCR).....	319
11.3.7	Transmit Acknowledge Register (TXACK) .....	320
11.3.8	Abort Acknowledge Register (ABACK) .....	321
11.3.9	Receive Complete Register (RXPR).....	322

11.3.10	Remote Request Register (RFPR).....	323
11.3.11	Interrupt Register (IRR).....	324
11.3.12	Mailbox Interrupt Mask Register (MBIMR).....	328
11.3.13	Interrupt Mask Register (IMR) .....	329
11.3.14	Receive Error Counter (REC).....	330
11.3.15	Transmit Error Counter (TEC).....	330
11.3.16	Unread Message Status Register (UMSR).....	331
11.3.17	Local Acceptance Filter Masks (LAFML, LAFMH).....	331
11.3.18	Message Control (MC0 to MC15) .....	334
11.3.19	Message Data (MD0 to MD15) .....	336
11.4	Operation .....	337
11.4.1	Hardware and Software Resets .....	337
11.4.2	Initialization after Hardware Reset .....	337
11.4.3	Message Transmission .....	343
11.4.4	Message Reception .....	346
11.4.5	HCAN Sleep Mode .....	350
11.4.6	HCAN Halt Mode .....	353
11.5	Interrupts.....	353
11.6	CAN Bus Interface.....	354
11.7	Usage Notes .....	355
11.7.1	Module Stop Mode Setting .....	355
11.7.2	Reset.....	355
11.7.3	HCAN Sleep Mode .....	355
11.7.4	Interrupts.....	355
11.7.5	Error Counters.....	356
11.7.6	Register Access .....	356
11.7.7	HCAN Medium-Speed Mode .....	356
11.7.8	Register Hold in Standby Modes .....	356
11.7.9	Usage of Bit Manipulation Instructions .....	356
11.7.10	HCAN TXCR Operation.....	357
11.7.11	HCAN Transmit Procedure.....	358
11.7.12	Note on Releasing the HCAN Software Reset and HCAN Sleep .....	358
11.7.13	Note on Accessing Mailbox during the HCAN Sleep.....	358
Section 12	A/D Converter.....	359
12.1	Features .....	359
12.2	Input/Output Pins .....	361
12.3	Register Descriptions .....	362
12.3.1	A/D Data Registers A to D (ADDRA to ADDR D).....	362
12.3.2	A/D Control/Status Register (ADCSR) .....	363
12.3.3	A/D Control Register (ADCR) .....	365

12.4	Operation .....	366
12.4.1	Single Mode.....	366
12.4.2	Scan Mode .....	366
12.4.3	Input Sampling and A/D Conversion Time .....	367
12.4.4	External Trigger Input Timing .....	369
12.5	Interrupts .....	369
12.6	A/D Conversion Precision Definitions.....	370
12.7	Usage Notes .....	372
12.7.1	Module Stop Mode Setting .....	372
12.7.2	Permissible Signal Source Impedance .....	372
12.7.3	Influences on Absolute Precision.....	372
12.7.4	Range of Analog Power Supply and Other Pin Settings .....	373
12.7.5	Notes on Board Design .....	373
12.7.6	Notes on Noise Countermeasures .....	373
<b>Section 13 Motor Control PWM Timer (PWM).....</b>		<b>375</b>
13.1	Features .....	375
13.2	Input/Output Pins .....	378
13.3	Register Descriptions .....	379
13.3.1	PWM Control Register_1, 2 (PWCR_1, PWCR_2) .....	380
13.3.2	PWM Output Control Register_1, 2 (PWOCR_1, PWOCR_2).....	381
13.3.3	PWM Polarity Register_1, 2 (PWPR_1, PWPR_2).....	382
13.3.4	PWM Counter_1, 2 (PWCNT_1, PWCNT_2).....	382
13.3.5	PWM Cycle Register_1, 2 (PWCYR_1, PWCYR_2).....	383
13.3.6	PWM Duty Register_1A, 1C, 1E, 1G (PWDTR_1A, PWDTR_1C, PWDTR_1E, PWDTR_1G) .....	383
13.3.7	PWM Buffer Register_1A, 1C, 1E, 1G (PWBFR_1A, PWBFR_1C, PWBFR_1E, PWBFR_1G) .....	386
13.3.8	PWM Duty Register_2A to 2H (PWDTR_2A to PWDTR_2H).....	387
13.3.9	PWM Buffer Register_2A to 2D (PWBFR_2A to PWBFR_2D) .....	388
13.4	Bus Master Interface .....	390
13.4.1	16-Bit Data Registers .....	390
13.4.2	8-Bit Data Registers .....	390
13.5	Operation .....	391
13.5.1	PWM Channel 1 Operation.....	391
13.5.2	PWM Channel 2 Operation.....	392
13.6	Interrupts .....	393
13.7	Usage Note.....	394
<b>Section 14 LCD Controller/Driver (LCD) .....</b>		<b>395</b>
14.1	Features .....	395

14.2	Input/Output Pins .....	397
14.3	Register Descriptions .....	397
14.3.1	LCD Port Control Register (LPCR) .....	398
14.3.2	LCD Control Register (LCR) .....	400
14.3.3	LCD Control Register 2 (LCR2) .....	401
14.4	Operation .....	402
14.4.1	Settings up to LCD Display .....	402
14.4.2	Relationship between LCD RAM and Display .....	403
14.4.3	Operation in Power-Down Modes .....	409
14.4.4	Boosting the LCD Drive Power Supply .....	410
14.5	Usage Notes .....	411
14.5.1	Disabling LCD Indications .....	411
Section 15 RAM .....		413
Section 16 Flash Memory (F-ZTAT Version) [H8S/2282 Group] .....		415
16.1	Features .....	415
16.2	Mode Transitions .....	416
16.3	Block Configuration .....	420
16.4	Input/Output Pins .....	421
16.5	Register Descriptions .....	421
16.5.1	Flash Memory Control Register 1 (FLMCR1) .....	421
16.5.2	Flash Memory Control Register 2 (FLMCR2) .....	423
16.5.3	Erase Block Register 1 (EBR1) .....	423
16.5.4	RAM Emulation Register (RAMER) .....	424
16.5.5	Flash Memory Power Control Register (FLPWCR) .....	425
16.6	On-Board Programming Modes .....	426
16.6.1	Boot Mode .....	427
16.6.2	Programming/Erasing in User Program Mode .....	429
16.7	Flash Memory Emulation in RAM .....	430
16.8	Flash Memory Programming/Erasing .....	432
16.8.1	Program/Program-Verify .....	433
16.8.2	Erase/Erase-Verify .....	435
16.8.3	Interrupt Handling when Programming/Erasing Flash Memory .....	435
16.9	Program/Erase Protection .....	437
16.9.1	Hardware Protection .....	437
16.9.2	Software Protection .....	437
16.9.3	Error Protection .....	437
16.10	Programmer Mode .....	438
16.11	Power-Down States for Flash Memory .....	438
16.12	Flash Memory and Power-Down Modes .....	439



Section 17	Flash Memory (F-ZTAT Version) [H8S/2280 Group]	441
17.1	Features	441
17.2	Mode Transitions	442
17.3	Block Configuration	446
17.4	Input/Output Pins	447
17.5	Register Descriptions	447
17.5.1	Flash Memory Control Register 1 (FLMCR1)	447
17.5.2	Flash Memory Control Register 2 (FLMCR2)	449
17.5.3	Erase Block Register 1 (EBR1)	449
17.5.4	Flash Memory Power Control Register (FLPWCR)	450
17.6	On-Board Programming Modes	450
17.6.1	Boot Mode	451
17.6.2	Programming/Erasing in User Program Mode	453
17.7	Flash Memory Programming/Erasing	454
17.7.1	Program/Program-Verify	455
17.7.2	Erase/Erase-Verify	457
17.7.3	Interrupt Handling when Programming/Erasing Flash Memory	457
17.8	Program/Erase Protection	459
17.8.1	Hardware Protection	459
17.8.2	Software Protection	459
17.8.3	Error Protection	459
17.9	Programmer Mode	460
17.10	Power-Down States for Flash Memory	460
Section 18	Mask ROM	461
18.1	Note on Switching from F-ZTAT Version to Masked ROM Version	462
Section 19	Clock Pulse Generator	463
19.1	Register Descriptions	463
19.1.1	System Clock Control Register (SCKCR)	464
19.1.2	Low-Power Control Register (LPWRCR)	466
19.2	Oscillator	467
19.2.1	Connecting a Crystal Resonator	467
19.2.2	External Clock Input	468
19.3	PLL Circuit	469
19.4	Subclock Divider	470
19.5	Medium-Speed Clock Divider	470
19.6	Bus Master Clock Selection Circuit	470
19.7	Usage Notes	470
19.7.1	Note on Crystal Resonator	470
19.7.2	Note on Board Design	471

Section 20	Power-Down Modes.....	473
20.1	Register Descriptions .....	477
20.1.1	Standby Control Register (SBYCR) .....	477
20.1.2	Low-Power Control Register (LPWRCR) .....	479
20.1.3	Module Stop Control Registers A to D (MSTPCRA to MSTPCRD) .....	481
20.2	Medium-Speed Mode.....	483
20.3	Sleep Mode .....	484
20.3.1	Transition to Sleep Mode.....	484
20.3.2	Clearing Sleep Mode.....	484
20.4	Software Standby Mode.....	485
20.4.1	Transition to Software Standby Mode .....	485
20.4.2	Clearing Software Standby Mode .....	485
20.4.3	Setting Oscillation Stabilization Time after Clearing Software Standby Mode... ..	486
20.4.4	Software Standby Mode Application Example.....	487
20.5	Hardware Standby Mode .....	488
20.5.1	Transition to Hardware Standby Mode .....	488
20.5.2	Clearing Hardware Standby Mode.....	488
20.5.3	Hardware Standby Mode Timings .....	489
20.6	Module Stop Mode .....	490
20.7	Watch Mode.....	491
20.7.1	Transition to Watch Mode .....	491
20.7.2	Canceling Watch Mode.....	491
20.8	Subsleep Mode.....	492
20.8.1	Transition to Subsleep Mode .....	492
20.8.2	Canceling Subsleep Mode.....	492
20.9	Subactive Mode .....	493
20.9.1	Transition to Subactive Mode .....	493
20.9.2	Canceling Subactive Mode .....	493
20.10	Direct Transitions.....	494
20.10.1	Direct Transitions from High-Speed Mode to Subactive Mode.....	494
20.10.2	Direct Transitions from Subactive Mode to High-Speed Mode.....	494
20.11	$\phi$ Clock Output Disabling Function .....	495
20.12	Usage Notes .....	496
20.12.1	I/O Port Status.....	496
20.12.2	Current Dissipation during Oscillation Stabilization Wait Period .....	496
20.12.3	On-Chip Peripheral Module Interrupt.....	496
20.12.4	Writing to MSTPCR .....	496
Section 21	List of Registers.....	497
21.1	Register Addresses (Address Order) .....	498
21.2	Register Bits.....	512

21.3	Register States in Each Operating Mode.....	527
<b>Section 22 Electrical Characteristics.....</b>		
22.1	Absolute Maximum Ratings .....	541
22.2	DC Characteristics .....	542
22.3	AC Characteristics .....	546
22.3.1	Clock Timing .....	546
22.3.2	Control Signal Timing .....	548
22.3.3	Timing of On-Chip Supporting Modules.....	550
22.4	A/D Conversion Characteristics.....	555
22.5	Flash Memory Characteristics.....	556
22.6	LCD Characteristics.....	558
<b>Appendix .....</b>		
A.	I/O Port States in Each Pin State.....	559
B.	Product Lineup.....	560
C.	Package Dimensions .....	561
<b>Main Revisions for This Edition .....</b>		
		563
<b>Index .....</b>		
		577

# Figures

## Section 1 Overview

Figure 1.1	H8S/2282 Group Internal Block Diagram .....	2
Figure 1.2	H8S/2280 Group (HD64F2280B) Internal Block Diagram .....	3
Figure 1.3	H8S/2280 Group (HD64F2280RB) Internal Block Diagram.....	4
Figure 1.4	H8S/2282 Group Pin Arrangement.....	5
Figure 1.5	H8S/2280 Group (HD64F2280B) Pin Arrangement.....	6
Figure 1.6	H8S/2280 Group (HD64F2280RB) Pin Arrangement.....	7

## Section 2 CPU

Figure 2.1	Exception Vector Table (Normal Mode) .....	25
Figure 2.2	Stack Structure in Normal Mode .....	25
Figure 2.3	Exception Vector Table (Advanced Mode) .....	26
Figure 2.4	Stack Structure in Advanced Mode .....	27
Figure 2.5	Memory Map .....	28
Figure 2.6	CPU Registers.....	29
Figure 2.7	Usage of General Registers.....	30
Figure 2.8	Stack Status.....	31
Figure 2.9	General Register Data Formats (1) .....	34
Figure 2.9	General Register Data Formats (2) .....	35
Figure 2.10	Memory Data Formats .....	36
Figure 2.11	Instruction Formats (Examples).....	48
Figure 2.12	Branch Address Specification in Memory Indirect Mode.....	52
Figure 2.13	State Transitions.....	56

## Section 3 MCU Operating Modes

Figure 3.1	Address Map.....	60
Figure 3.2	Address Map.....	61

## Section 4 Exception Handling

Figure 4.1	Reset Sequence (Advanced Mode with On-chip ROM Enabled) .....	66
Figure 4.2	Reset Sequence (Advanced Mode with On-chip ROM Disabled: Cannot be Used in this LSI).....	67
Figure 4.3	Stack Status after Exception Handling.....	71
Figure 4.4	Operation when SP Value Is Odd .....	72

## Section 5 Interrupt Controller

Figure 5.1	Block Diagram of Interrupt Controller .....	74
------------	---	----

Figure 5.2	Block Diagram of Interrupts IRQ5 to IRQ0 .....	82
Figure 5.3	Flowchart of Procedure up to Interrupt Acceptance in Interrupt Control Mode 0 .....	86
Figure 5.4	Flowchart of Procedure Up to Interrupt Acceptance in Control Mode 2 .....	88
Figure 5.5	Interrupt Exception Handling.....	89
Figure 5.6	Contention between Interrupt Generation and Disabling.....	92

## Section 6 Bus Controller

Figure 6.1	On-Chip Memory Access Cycle .....	95
Figure 6.2	On-Chip Peripheral Module Access Cycle .....	96
Figure 6.3	On-Chip HCAN Module Access Cycle (Wait States Inserted).....	97
Figure 6.4	On-Chip PWM, LCD, Ports H and J Module Access Cycle .....	98

## Section 8 16-Bit Timer Pulse Unit (TPU)

Figure 8.1	Block Diagram of TPU .....	158
Figure 8.2	Example of Counter Operation Setting Procedure.....	182
Figure 8.3	Free-Running Counter Operation.....	183
Figure 8.4	Periodic Counter Operation .....	184
Figure 8.5	Example of Setting Procedure for Waveform Output by Compare Match .....	184
Figure 8.6	Example of 0 Output/1 Output Operation.....	185
Figure 8.7	Example of Toggle Output Operation.....	185
Figure 8.8	Example of Input Capture Operation Setting Procedure.....	186
Figure 8.9	Example of Input Capture Operation .....	187
Figure 8.10	Example of Synchronous Operation Setting Procedure .....	188
Figure 8.11	Example of Synchronous Operation .....	189
Figure 8.12	Compare Match Buffer Operation .....	190
Figure 8.13	Input Capture Buffer Operation .....	190
Figure 8.14	Example of Buffer Operation Setting Procedure .....	191
Figure 8.15	Example of Buffer Operation (1).....	192
Figure 8.16	Example of Buffer Operation (2).....	193
Figure 8.17	Example of PWM Mode Setting Procedure .....	195
Figure 8.18	Example of PWM Mode Operation (1).....	196
Figure 8.19	Example of PWM Mode Operation (2).....	197
Figure 8.20	Example of PWM Mode Operation (3).....	198
Figure 8.21	Example of Phase Counting Mode Setting Procedure .....	199
Figure 8.22	Example of Phase Counting Mode 1 Operation.....	200
Figure 8.23	Example of Phase Counting Mode 2 Operation.....	201
Figure 8.24	Example of Phase Counting Mode 3 Operation.....	202
Figure 8.25	Example of Phase Counting Mode 4 Operation.....	203
Figure 8.26	Phase Counting Mode Application Example .....	205
Figure 8.27	Count Timing in Internal Clock Operation .....	208

Figure 8.28	Count Timing in External Clock Operation .....	208
Figure 8.29	Output Compare Output Timing .....	209
Figure 8.30	Input Capture Input Signal Timing .....	209
Figure 8.31	Counter Clear Timing (Compare Match).....	210
Figure 8.32	Counter Clear Timing (Input Capture).....	210
Figure 8.33	Buffer Operation Timing (Compare Match).....	211
Figure 8.34	Buffer Operation Timing (Input Capture).....	211
Figure 8.35	TGI Interrupt Timing (Compare Match).....	212
Figure 8.36	TGI Interrupt Timing (Input Capture).....	213
Figure 8.37	TCIV Interrupt Setting Timing .....	214
Figure 8.38	TCIU Interrupt Setting Timing .....	214
Figure 8.39	Timing for Status Flag Clearing by CPU .....	215
Figure 8.40	Phase Difference, Overlap, and Pulse Width in Phase Counting Mode.....	216
Figure 8.41	Contention between TCNT Write and Clear Operations .....	217
Figure 8.42	Contention between TCNT Write and Increment Operations.....	218
Figure 8.43	Contention between TGR Write and Compare Match .....	219
Figure 8.44	Contention between Buffer Register Write and Compare Match .....	220
Figure 8.45	Contention between TGR Read and Input Capture.....	221
Figure 8.46	Contention between TGR Write and Input Capture.....	222
Figure 8.47	Contention between Buffer Register Write and Input Capture .....	223
Figure 8.48	Contention between Overflow and Counter Clearing .....	224
Figure 8.49	Contention between TCNT Write and Overflow .....	225

## Section 9 Watchdog Timer

Figure 9.1	Block Diagram of WDT_0.....	228
Figure 9.2	Block Diagram of WDT_1.....	229
Figure 9.3 (a)	WDT_0 Operation in Watchdog Timer Mode .....	236
Figure 9.3 (b)	WDT_1 Operation in Watchdog Timer Mode .....	236
Figure 9.4	Operation in Interval Timer Mode .....	237
Figure 9.5	Writing to TCNT, TCSR, and RSTCSR (example for WDT0) .....	238
Figure 9.6	Contention between TCNT Write and Increment .....	239

## Section 10 Serial Communication Interface (SCI)

Figure 10.1	Block Diagram of SCI .....	242
Figure 10.2	Data Format in Asynchronous Communication (Example with 8-Bit Data, Parity, Two Stop Bits) .....	263
Figure 10.3	Receive Data Sampling Timing in Asynchronous Mode.....	265
Figure 10.4	Relationship between Output Clock and Transfer Data Phase (Asynchronous Mode) .....	266
Figure 10.5	Sample SCI Initialization Flowchart.....	267

Figure 10.6	Example of Operation in Transmission in Asynchronous Mode (Example with 8-Bit Data, Parity, One Stop Bit).....	268
Figure 10.7	Sample Serial Transmission Flowchart.....	269
Figure 10.8	Example of SCI Operation in Reception (Example with 8-Bit Data, Parity, One Stop Bit).....	270
Figure 10.9	Sample Serial Reception Data Flowchart (1).....	272
Figure 10.9	Sample Serial Reception Data Flowchart (2).....	273
Figure 10.10	Example of Communication Using Multiprocessor Format (Transmission of Data H'AA to Receiving Station A).....	275
Figure 10.11	Sample Multiprocessor Serial Transmission Flowchart.....	276
Figure 10.12	Example of SCI Operation in Reception (Example with 8-Bit Data, Multiprocessor Bit, One Stop Bit) .....	277
Figure 10.13	Sample Multiprocessor Serial Reception Flowchart (1) .....	278
Figure 10.13	Sample Multiprocessor Serial Reception Flowchart (2) .....	279
Figure 10.14	Data Format in Synchronous Communication (for LSB-First).....	280
Figure 10.15	Sample SCI Initialization Flowchart.....	281
Figure 10.16	Sample SCI Transmission Operation in Clocked Synchronous Mode.....	283
Figure 10.17	Sample Serial Transmission Flowchart.....	284
Figure 10.18	Example of SCI Operation in Reception.....	285
Figure 10.19	Sample Serial Reception Flowchart .....	286
Figure 10.20	Sample Flowchart of Simultaneous Serial Transmit and Receive Operations .....	288
Figure 10.21	Schematic Diagram of Smart Card Interface Pin Connections .....	289
Figure 10.22	Normal Smart Card Interface Data Format .....	290
Figure 10.23	Direct Convention (SDIR = SINV = $O/\bar{E}$ = 0).....	290
Figure 10.24	Inverse Convention (SDIR = SINV = $O/\bar{E}$ = 1) .....	291
Figure 10.25	Receive Data Sampling Timing in Smart Card Mode (Using Clock of 372 Times the Transfer Rate).....	293
Figure 10.26	Retransfer Operation in SCI Transmit Mode .....	295
Figure 10.27	TEND Flag Generation Timing in Transmission Operation .....	295
Figure 10.28	Example of Transmission Processing Flow .....	296
Figure 10.29	Retransfer Operation in SCI Receive Mode.....	297
Figure 10.30	Example of Reception Processing Flow .....	298
Figure 10.31	Timing for Fixing Clock Output Level .....	298
Figure 10.32	Clock Halt and Restart Procedure .....	299
Figure 10.33	Sample Flowchart for Mode Transition during Transmission .....	304
Figure 10.34	Pin States during Transmission in Asynchronous Mode (Internal Clock).....	304
Figure 10.35	Pin States during Transmission in Clocked Synchronous Mode (Internal Clock).....	305
Figure 10.36	Sample Flowchart for Mode Transition during Reception.....	306
Figure 10.37	Operation when Switching from SCK Pin to Port Pin .....	307

Figure 10.38	Operation when Switching from SCK Pin to Port Pin (Example of Preventing Low-Level Output) .....	308
--------------	---	-----

## **Section 11 Controller Area Network (HCAN) [H8S/2282 Group Only]**

Figure 11.1	HCAN Block Diagram.....	310
Figure 11.2	Message Control Register Configuration.....	334
Figure 11.3	Standard Format.....	334
Figure 11.4	Extended Format.....	334
Figure 11.5	Message Data Configuration.....	336
Figure 11.6	Hardware Reset Flowchart.....	338
Figure 11.7	Software Reset Flowchart .....	339
Figure 11.8	Detailed Description of One Bit.....	340
Figure 11.9	Transmission Flowchart.....	343
Figure 11.10	Transmit Message Cancellation Flowchart .....	346
Figure 11.11	Reception Flowchart .....	347
Figure 11.12	Unread Message Overwrite Flowchart.....	350
Figure 11.13	HCAN Sleep Mode Flowchart.....	351
Figure 11.14	HCAN Halt Mode Flowchart.....	353
Figure 11.15	High-Speed Interface Using PCA82C250 .....	354

## **Section 12 A/D Converter**

Figure 12.1	Block Diagram of A/D Converter .....	360
Figure 12.2	A/D Conversion Timing .....	367
Figure 12.3	External Trigger Input Timing.....	369
Figure 12.4	A/D Conversion Precision Definitions.....	371
Figure 12.5	A/D Conversion Precision Definitions.....	371
Figure 12.6	Example of Analog Input Circuit.....	372
Figure 12.7	Example of Analog Input Protection Circuit .....	374
Figure 12.8	Analog Input Pin Equivalent Circuit.....	374

## **Section 13 Motor Control PWM Timer (PWM)**

Figure 13.1	Block Diagram of PWM Channel 1 .....	376
Figure 13.2	Block Diagram of PWM Channel 2.....	377
Figure 13.3	Cycle Register Compare Match .....	383

## **Section 14 LCD Controller/Driver (LCD)**

Figure 14.1	Block Diagram of LCD Controller/Driver.....	396
Figure 14.2	LCD RAM Map (1/4 Duty) .....	403
Figure 14.3	LCD RAM Map (1/3 Duty) .....	404
Figure 14.4	LCD RAM Map (Static Mode) .....	404
Figure 14.5	LCD RAM Map (1/4 Duty) .....	405



Figure 14.6	LCD RAM Map (1/3 Duty) .....	406
Figure 14.7	LCD RAM Map (Static Mode) .....	406
Figure 14.8	Output Waveforms for Each Duty Cycle (A Waveform).....	407
Figure 14.9	Output Waveforms for Each Duty Cycle (B Waveform).....	408
Figure 14.10	Connection of External Split-Resistance .....	410

## **Section 16 Flash Memory (F-ZTAT Version) [H8S/2282 Group]**

Figure 16.1	Block Diagram of Flash Memory .....	416
Figure 16.2	Flash Memory State Transitions .....	417
Figure 16.3	Boot Mode .....	418
Figure 16.4	User Program Mode.....	419
Figure 16.5	Flash Memory Block Configuration .....	420
Figure 16.6	Programming/Erasing Flowchart Example in User Program Mode.....	429
Figure 16.7	Flowchart for Flash Memory Emulation in RAM.....	430
Figure 16.8	Example of RAM Overlap Operation .....	431
Figure 16.9	Program/Program-Verify Flowchart .....	434
Figure 16.10	Erase/Erase-Verify Flowchart.....	436

## **Section 17 Flash Memory (F-ZTAT Version) [H8S/2280 Group]**

Figure 17.1	Block Diagram of Flash Memory .....	442
Figure 17.2	Flash Memory State Transitions .....	443
Figure 17.3	Boot Mode .....	444
Figure 17.4	User Program Mode.....	445
Figure 17.5	Flash Memory Block Configuration .....	446
Figure 17.6	Programming/Erasing Flowchart Example in User Program Mode.....	453
Figure 17.7	Program/Program-Verify Flowchart .....	456
Figure 17.8	Erase/Erase-Verify Flowchart.....	458

## **Section 18 Mask ROM**

Figure 18.1	Block Diagram of 128-Kbyte Masked ROM (HD6432282).....	461
Figure 18.2	Block Diagram of 64-Kbyte Masked ROM (HD6432281).....	461

## **Section 19 Clock Pulse Generator**

Figure 19.1	Block Diagram of Clock Pulse Generator.....	463
Figure 19.2	Connection of Crystal Resonator (Example) .....	467
Figure 19.3	Crystal Resonator Equivalent Circuit.....	467
Figure 19.4	External Clock Input (Examples).....	468
Figure 19.5	External Clock Input Timing .....	469
Figure 19.6	Note on Board Design of Oscillator Circuit.....	471
Figure 19.7	External Circuitry Recommended for PLL Circuit .....	471

## **Section 20 Power-Down Modes**

Figure 20.1	Mode Transition Diagram.....	474
Figure 20.2	Medium-Speed Mode Transition and Clearance Timing.....	483
Figure 20.3	Software Standby Mode Application Example.....	487
Figure 20.4	Timing of Transition to Hardware Standby Mode.....	489
Figure 20.5	Timing of Recovery from Hardware Standby Mode.....	489

## **Section 22 Electrical Characteristics**

Figure 22.1	Output Load Circuit.....	546
Figure 22.2	System Clock Timing.....	547
Figure 22.3	Oscillation Stabilization Timing.....	547
Figure 22.4	Reset Input Timing.....	548
Figure 22.5	Interrupt Input Timing.....	549
Figure 22.6	I/O Port Input/Output Timing.....	551
Figure 22.7	TPU Input/Output Timing.....	552
Figure 22.8	TPU Clock Input Timing.....	552
Figure 22.9	SCK Clock Input Timing.....	552
Figure 22.10	SCI Input/Output Timing (Clock Synchronous Mode).....	553
Figure 22.11	A/D Converter External Trigger Input Timing.....	553
Figure 22.12	HCAN Input/Output Timing.....	554
Figure 22.13	Motor Control PWM Output Timing.....	554

## **Appendix**

Figure C.1	FP-100A Package Dimensions.....	561
------------	---------------------------------	-----

# Tables

## Section 2 CPU

Table 2.1	Instruction Classification.....	37
Table 2.2	Operation Notation.....	38
Table 2.3	Data Transfer Instructions.....	39
Table 2.4	Arithmetic Operations Instructions (1).....	40
Table 2.4	Arithmetic Operations Instructions (2).....	41
Table 2.5	Logic Operations Instructions.....	42
Table 2.6	Shift Instructions.....	42
Table 2.7	Bit Manipulation Instructions (1).....	43
Table 2.7	Bit Manipulation Instructions (2).....	44
Table 2.8	Branch Instructions.....	45
Table 2.9	System Control Instructions.....	46
Table 2.10	Block Data Transfer Instructions.....	47
Table 2.11	Addressing Modes.....	49
Table 2.12	Absolute Address Access Ranges.....	51
Table 2.13	Effective Address Calculation (1).....	53
Table 2.13	Effective Address Calculation (2).....	54

## Section 3 MCU Operating Modes

Table 3.1	MCU Operating Mode Selection.....	57
-----------	-----------------------------------	----

## Section 4 Exception Handling

Table 4.1	Exception Types and Priority.....	63
Table 4.2	Exception Handling Vector Table.....	64
Table 4.3	Status of CCR and EXR after Trace Exception Handling.....	68
Table 4.4	Status of CCR and EXR after Trap Instruction Exception Handling.....	70

## Section 5 Interrupt Controller

Table 5.1	Pin Configuration.....	75
Table 5.2	Interrupt Sources, Vector Addresses, and Interrupt Priorities.....	83
Table 5.3	Interrupt Control Modes.....	85
Table 5.4	Interrupt Response Times.....	90
Table 5.5	Number of States in Interrupt Handling Routine Execution Status.....	91

## Section 7 I/O Ports

Table 7.1	Port Functions (1).....	100
Table 7.1	Port Functions (2).....	101

Table 7.1	Port Functions (3).....	102
Table 7.2	Port Functions of H8S/2280 Group (HD64F2280RB) (1) .....	103
Table 7.2	Port Functions of H8S/2280 Group (HD64F2280RB) (2) .....	104
Table 7.2	Port Functions of H8S/2280 Group (HD64F2280RB) (3) .....	105
Table 7.3	Pins of Registers to be Read and PWM Output by Switching Pins.....	153

## Section 8 16-Bit Timer Pulse Unit (TPU)

Table 8.1	TPU Functions (1).....	156
Table 8.1	TPU Functions (2).....	157
Table 8.2	Pin Configuration .....	159
Table 8.3	CCLR0 to CCLR2 (Channel 0).....	162
Table 8.4	CCLR0 to CCLR2 (Channels 1 and 2).....	162
Table 8.5	TPSC0 to TPSC2 (Channel 0).....	163
Table 8.6	TPSC0 to TPSC2 (Channel 1).....	163
Table 8.7	TPSC0 to TPSC2 (Channel 2).....	164
Table 8.8	MD0 to MD3.....	165
Table 8.9	TIORH_0.....	167
Table 8.10	TIORL_0 .....	168
Table 8.11	TIOR_1 .....	169
Table 8.12	TIOR_2 .....	170
Table 8.13	TIORH_0.....	171
Table 8.14	TIORL_0 .....	172
Table 8.15	TIOR_1 .....	173
Table 8.16	TIOR_2 .....	174
Table 8.17	Register Combinations in Buffer Operation.....	190
Table 8.18	PWM Output Registers and Output Pins.....	195
Table 8.19	Phase Counting Mode Clock Input Pins.....	199
Table 8.20	Up/Down-Count Conditions in Phase Counting Mode 1 .....	200
Table 8.21	Up/Down-Count Conditions in Phase Counting Mode 2 .....	201
Table 8.22	Up/Down-Count Conditions in Phase Counting Mode 3 .....	202
Table 8.23	Up/Down-Count Conditions in Phase Counting Mode 4 .....	203
Table 8.24	TPU Interrupts.....	206

## Section 9 Watchdog Timer

Table 9.1	WDT Interrupt Source.....	237
-----------	---------------------------	-----

## Section 10 Serial Communication Interface (SCI)

Table 10.1	Pin Configuration .....	243
Table 10.2	The Relationships between the N Setting in BRR and Bit Rate B .....	256
Table 10.3	BRR Settings for Various Bit Rates (Asynchronous Mode) (1).....	257
Table 10.3	BRR Settings for Various Bit Rates (Asynchronous Mode) (2).....	258

Table 10.3	BRR Settings for Various Bit Rates (Asynchronous Mode) (3).....	259
Table 10.4	Maximum Bit Rate for Each Frequency (Asynchronous Mode).....	260
Table 10.5	Maximum Bit Rate with External Clock Input (Asynchronous Mode).....	260
Table 10.6	BRR Settings for Various Bit Rates (Clocked Synchronous Mode) .....	261
Table 10.7	Maximum Bit Rate with External Clock Input (Clocked Synchronous Mode).....	261
Table 10.8	Examples of Bit Rate for Various BRR Settings (Smart Card Interface Mode) (When n = 0 and S = 372) .....	262
Table 10.9	Maximum Bit Rate at Various Frequencies (Smart Card Interface Mode) (When S = 372) .....	262
Table 10.10	Serial Transfer Formats (Asynchronous Mode) .....	264
Table 10.11	SSR Status Flags and Receive Data Handling .....	271
Table 10.12	SCI Interrupt Sources .....	300
Table 10.13	SCI Interrupt Sources .....	301
 <b>Section 11 Controller Area Network (HCAN) [H8S/2282 Group Only]</b>		
Table 11.1	Pin Configuration .....	311
Table 11.2	Limits for the Settable Value.....	340
Table 11.3	Setting Range for TSEG1 and TSEG2 in BCR .....	341
Table 11.4	HCAN Interrupt Sources .....	354
Table 11.5	Interval Limitation between TXPR and TXPR or between TXPR and TXCR .....	358
 <b>Section 12 A/D Converter</b>		
Table 12.1	Pin Configuration .....	361
Table 12.2	Analog Input Channels and Corresponding ADDR Registers.....	362
Table 12.3	A/D Conversion Time (Single Mode) .....	368
Table 12.4	A/D Conversion Time (Scan Mode).....	368
Table 12.5	A/D Converter Interrupt Source .....	369
Table 12.6	Analog Pin Specifications .....	374
 <b>Section 13 Motor Control PWM Timer (PWM)</b>		
Table 13.1	Pin Configuration .....	378
Table 13.2	PWM Interrupt Sources.....	393
 <b>Section 14 LCD Controller/Driver (LCD)</b>		
Table 14.1	Pin Configuration .....	397
Table 14.2	Selection of the Duty Cycle and Common Functions .....	398
Table 14.3 (1)	Selection of Segment Drivers (H8S/2282 Group or HD64F2280B) .....	399
Table 14.3 (2)	Selection of Segment Drivers (HD64F2280RB).....	399
Table 14.4	Selection of the Operating Clock and Frame Frequency.....	401
Table 14.5	Output Levels (A Waveform).....	409
Table 14.6	Power-Down Modes and Display Operation.....	410

## **Section 16 Flash Memory (F-ZTAT Version) [H8S/2282 Group]**

Table 16.1	Differences between Boot Mode and User Program Mode.....	417
Table 16.2	Pin Configuration .....	421
Table 16.3	Setting On-Board Programming Modes.....	426
Table 16.4	Boot Mode Operation.....	428
Table 16.5	System Clock Frequencies for which Automatic Adjustment of LSI Bit Rate Is Possible .....	428
Table 16.6	Flash Memory Operating States .....	439

## **Section 17 Flash Memory (F-ZTAT Version) [H8S/2280 Group]**

Table 17.1	Differences between Boot Mode and User Program Mode.....	443
Table 17.2	Pin Configuration .....	447
Table 17.3	Setting On-Board Programming Modes.....	450
Table 17.4	Boot Mode Operation.....	452
Table 17.5	System Clock Frequencies for which Automatic Adjustment of LSI Bit Rate Is Possible .....	452
Table 17.6	Flash Memory Operating States .....	460

## **Section 18 Mask ROM**

Table 18.1	Register Present in F-ZTAT Version but Absent in Masked ROM Version .....	462
------------	---	-----

## **Section 19 Clock Pulse Generator**

Table 19.1	Damping Resistance Value .....	467
Table 19.2	Crystal Resonator Characteristics.....	468
Table 19.3	External Clock Input Conditions .....	469

## **Section 20 Power-Down Modes**

Table 20.1	Power-Down Mode Transition Conditions.....	475
Table 20.2	LSI Internal States in Each Mode.....	476
Table 20.3	Oscillation Stabilization Time Settings .....	486
Table 20.4	$\phi$ Pin State in Each Processing State .....	495

## **Section 22 Electrical Characteristics**

Table 22.1	Absolute Maximum Ratings.....	541
Table 22.2	DC Characteristics.....	542
Table 22.3	Permissible Output Currents .....	545
Table 22.4	Clock Timing .....	546
Table 22.5	Control Signal Timing.....	548
Table 22.6	Timing of On-Chip Supporting Modules .....	550
Table 22.7	A/D Conversion Characteristics .....	555

Table 22.8 Flash Memory Characteristics..... 556  
Table 22.9 LCD Characteristics ..... 558







# Section 1 Overview

## 1.1 Overview

- High-speed H8S/2000 central processing unit with an internal 16-bit architecture
  - Upward-compatible with H8/300 and H8/300H CPUs on an object level
  - Sixteen 16-bit general registers
  - 65 basic instructions
- Various peripheral functions
  - 16-bit timer-pulse unit (TPU)
  - Watchdog timer (WDT)
  - Asynchronous or clocked synchronous serial communication interface (SCI)
  - Controller area network (HCAN) (H8S/2282 Group only)
  - 10-bit A/D converter
  - Motor control PWM timer (PWM)
  - LCD controller/driver (LCD)
  - Clock pulse generator
- On-chip memory

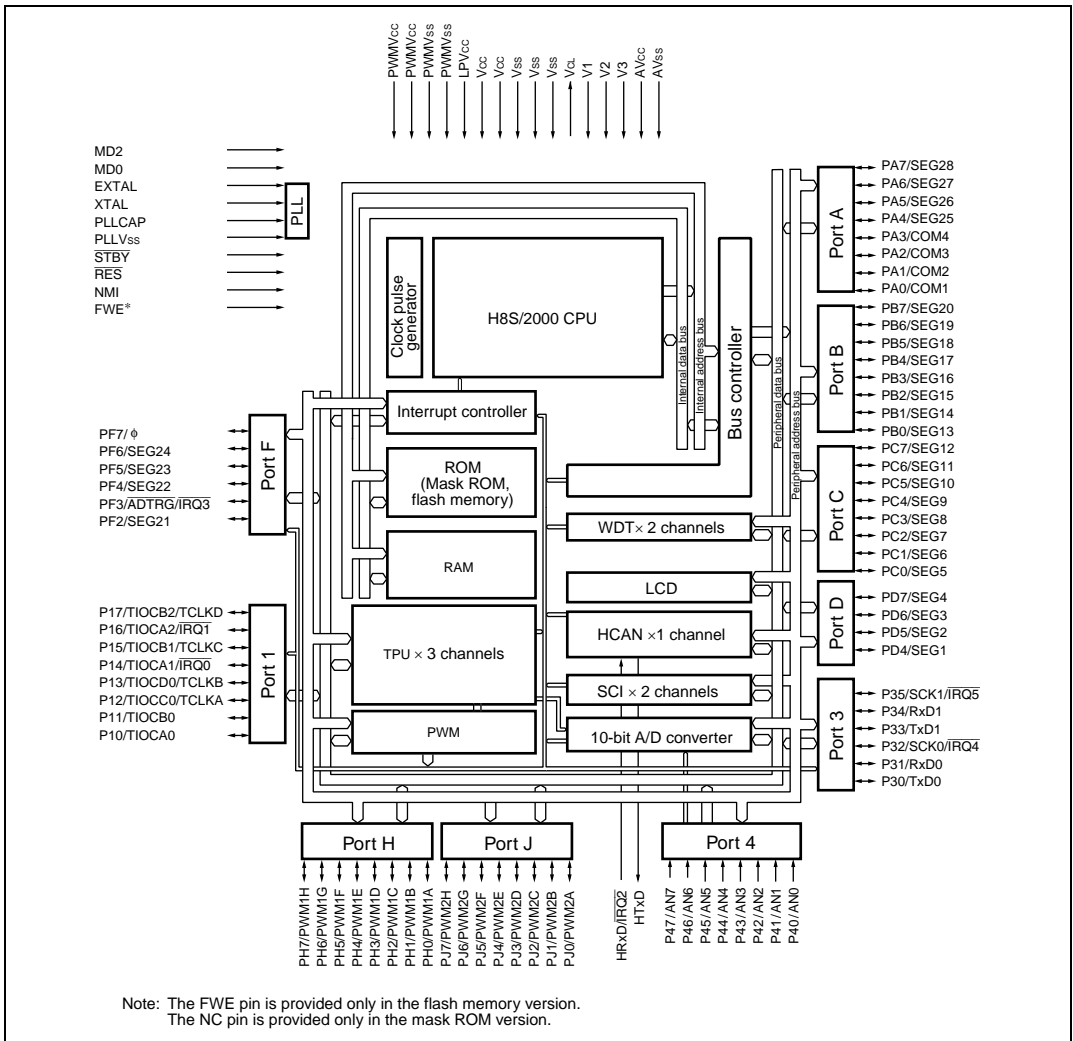
ROM	Model	ROM	RAM
F-ZTAT Version	HD64F2282	128 kbytes	4 kbytes
	HD64F2280B	64 kbytes	2 kbytes
	HD64F2280RB	64 kbytes	2 kbytes
Mask ROM Version	HD6432282	128 kbytes	4 kbytes
	HD6432281	64 kbytes	4 kbytes

- General I/O ports
- I/O pins: 64
- Input-only pins: 8
- Supports various power-down states
- Compact package

Package	(Code)	Body Size	Pin Pitch
QFP-100	FP-100A	14.0 × 20.0 mm	0.65 mm

## 1.2 Internal Block Diagram

Figure 1.1 shows an internal block diagram of the H8S/2282 Group. Figures 1.2 and 1.3 show an internal block diagram of the H8S/2280 Group.



**Figure 1.1 H8S/2282 Group Internal Block Diagram**

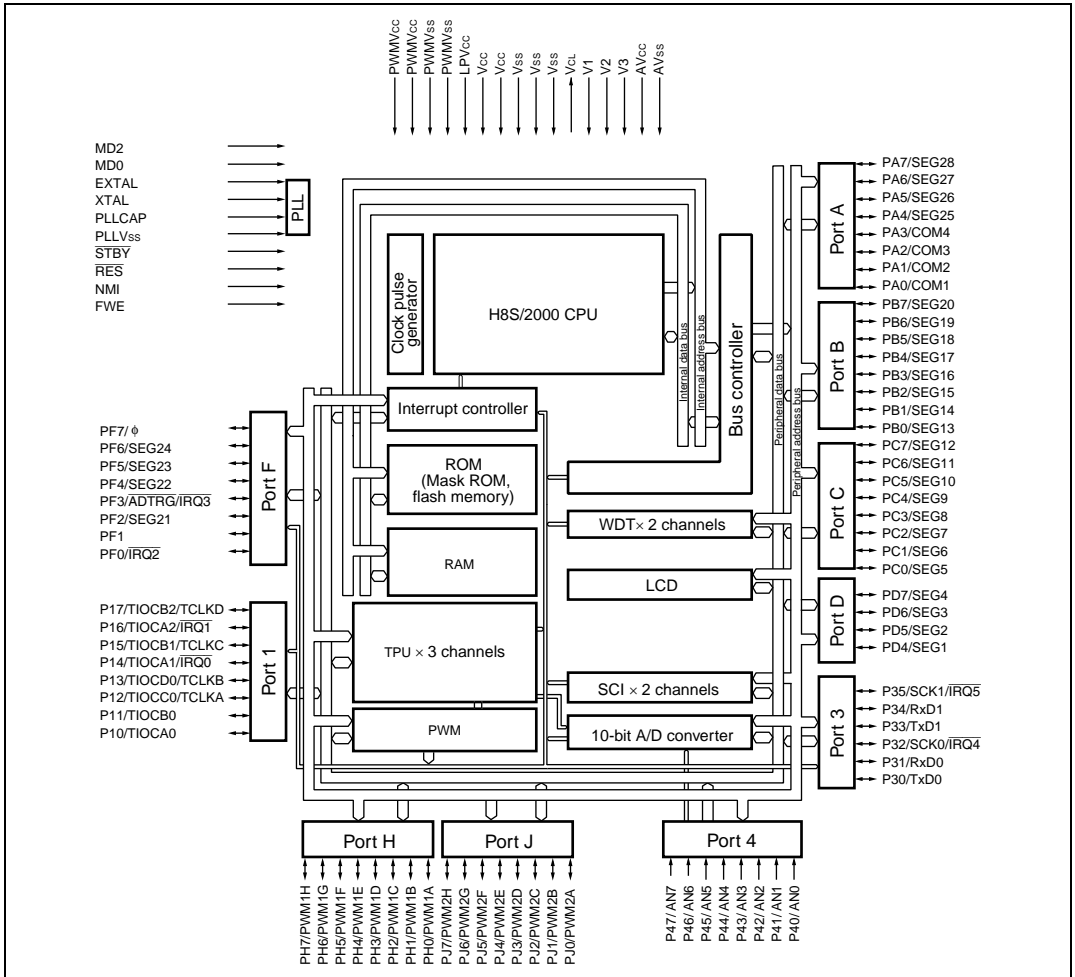


Figure 1.2 H8S/2280 Group (HD64F2280B) Internal Block Diagram

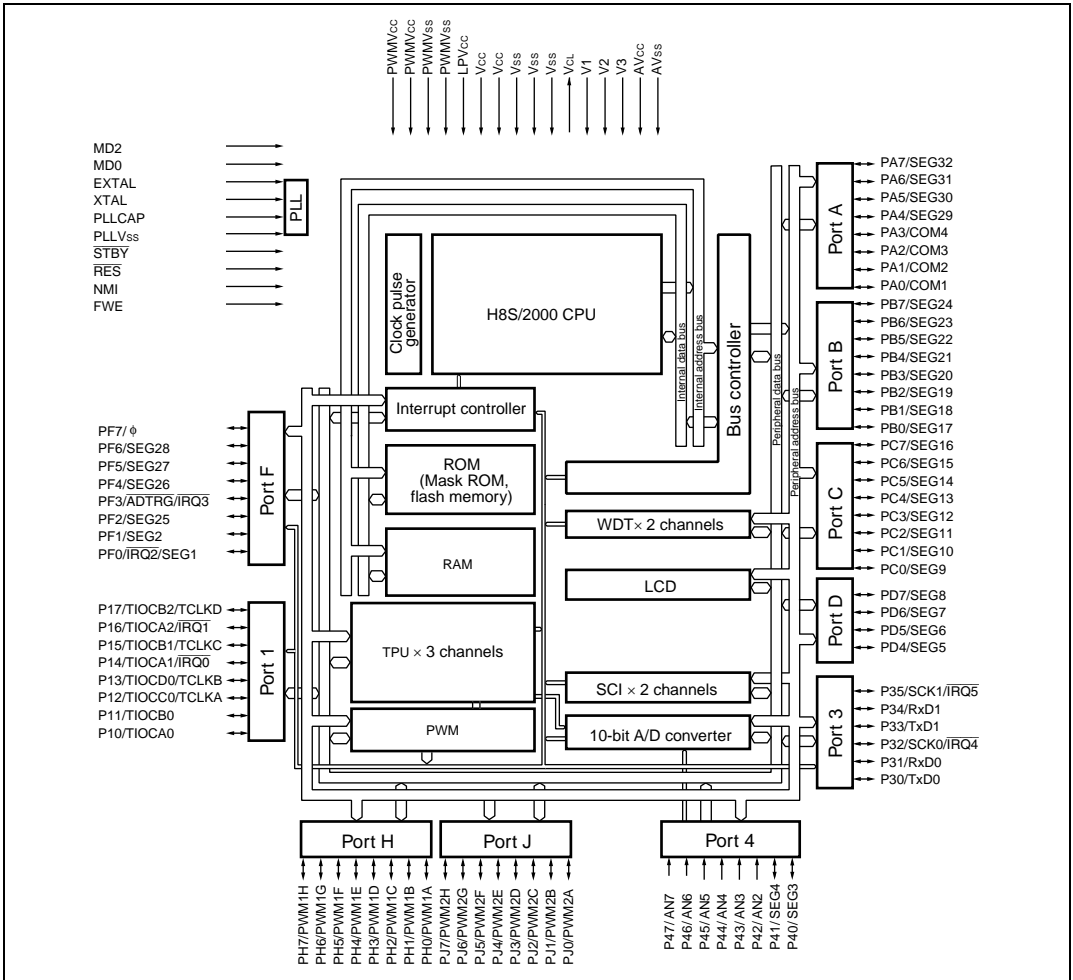


Figure 1.3 H8S/2280 Group (HD64F2280RB) Internal Block Diagram



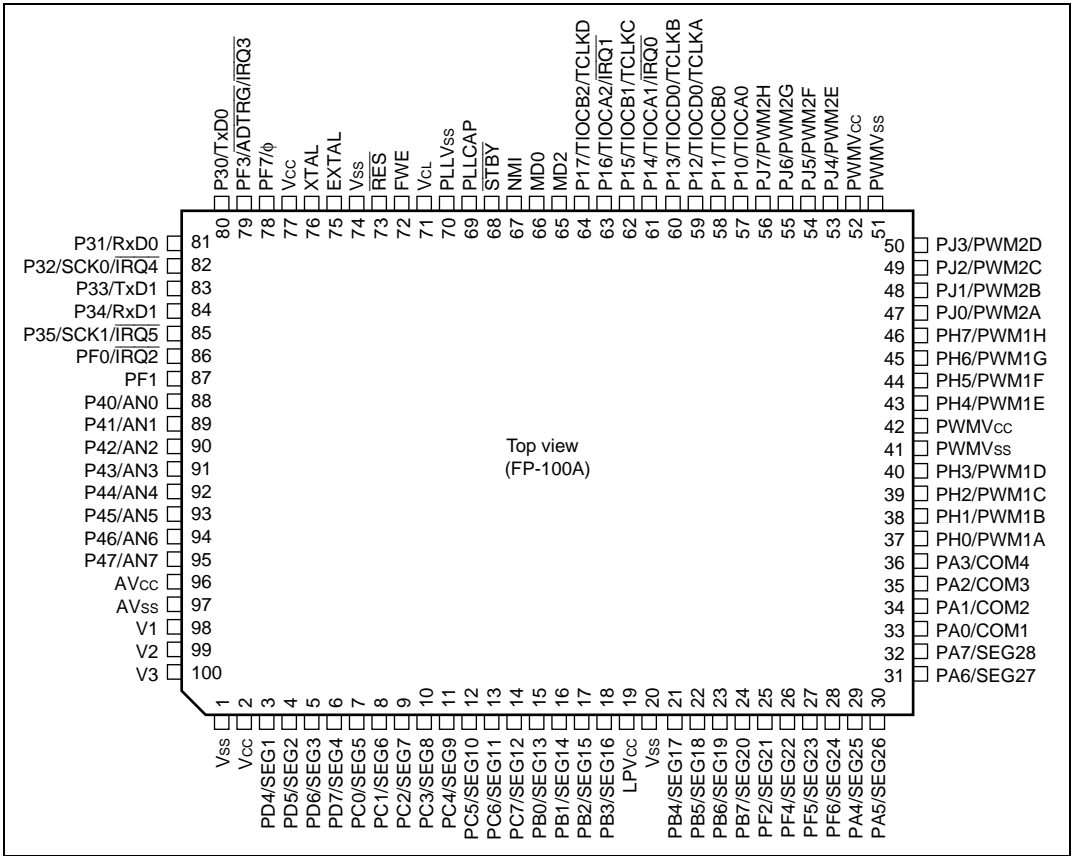


Figure 1.5 H8S/2280 Group (HD64F2280B) Pin Arrangement

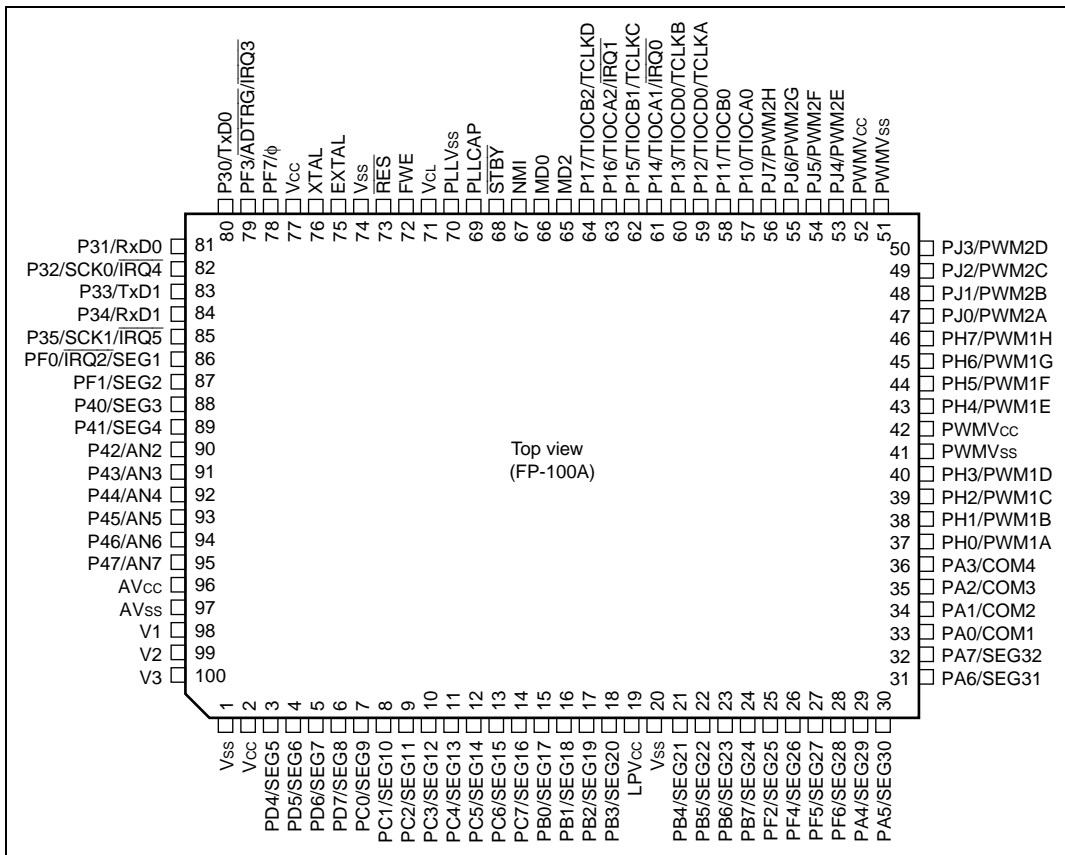


Figure 1.6 H8S/2280 Group (HD64F2280RB) Pin Arrangement

## 1.4 Pin Functions

### 1.4.1 H8S/2282 Group and H8S/2280 Group (HD64F2280B) Pin Functions

Type	Symbol	Pin NO.	I/O	Function
Power Supply	$V_{CC}$	2 77	Input	Power supply pins. Connect all these pins to the system power supply.
	$PWMV_{CC}$	42 52	Input	Power supply pins for the ports H, J, and the motor control PWM timer.
	$LPV_{CC}$	19	Input	Power supply pins for the ports A to D and F (PF2 and PF4 to PF6).
	V1 V2 V3	98 99 100	Input	Power supply pins for the LCD controller/driver. These pins are internally connected to the power-supply dividing resistors and in normal use are open-circuit. When power is supplied, the state is $LPV_{CC} \geq V1 \geq V2 \geq V3 \geq V_{SS}$
	$V_{SS}$	1 20 74	Input	Ground pins. Connect all these pins to the system power supply (0V).
	$PWMV_{SS}$	41 51	Input	Power supply pins for the ports H, J, and the motor control PWM timer. Connect all these pins to the system power supply (0V).
	$V_{CL}$	71	Output	External capacitance pin for internal power-down power supply. Connect this pin to VSS via a 0.1- $\mu$ F capacitor (placed close to the pins).
Clock	$PLL_{V_{SS}}$	70	Input	On-chip PLL oscillator ground pin.
	PLLCAP	69	Output	External capacitance pin for an on-chip PLL oscillator.
	XTAL	76	Input	For connection to a crystal resonator. For examples of crystal resonator connection and external clock input, see section 19, Clock Pulse Generator.
	EXTAL	75	Input	For connection to a crystal resonator. (An external clock can be supplied from the EXTAL pin.) For examples of crystal resonator connection and external clock input, see section 19, Clock Pulse Generator.
	$\phi$	78	Output	Supplies the system clock to external devices.



Type	Symbol	Pin NO.	I/O	Function
Operating mode control	MD2	65	Input	Set the operating mode. Inputs at these pins should not be changed during operation.
	MD0	66		
System control	$\overline{\text{RES}}$	73	Input	Reset input pin. When this pin is low, the chip is reset.
	$\overline{\text{STBY}}$	68	Input	When this pin is low, a transition is made to hardware standby mode.
	FWE	72	Input	Pin for use by flash memory. This pin is only used in the flash memory version.
Interrupts	NMI	67	Input	Nonmaskable interrupt pin. If this pin is not used, it should be fixed-high.
	$\overline{\text{IRQ5}}$	85	Input	These pins request a maskable interrupt.
	$\overline{\text{IRQ4}}$	82		
	$\overline{\text{IRQ3}}$	79		
	$\overline{\text{IRQ2}}$	86		
	$\overline{\text{IRQ1}}$	63		
	$\overline{\text{IRQ0}}$	61		
16-bit timer-pulse unit	TCLKA	59		
	TCLKB	60		
	TCLKC	62		
	TCLKD	64		
	TIOCA0	57	Input/ Output	TGRA_0 to TGRD_0 input capture input/output compare output/PWM output pins.
	TIOCB0	58		
	TIOCC0	59	Input/ Output	TGRA_1 to TGRB_1 input capture input/output compare output/PWM output pins.
	TIOCD0	60		
	TIOCA1	61	Input/ Output	TGRA_2 to TGRB_2 input capture input/output compare output/PWM output pins.
	TIOCB1	62		
Serial communication Interface (SCI)/smart card interface	TxD1	83	Output	Data output pins
	TxD0	80		
	RxD1	84	Input	Data input pins
	RxD0	81		
	SCK1	85	Input/ Output	Clock input/output pins
SCK0	82			
HCAN	HTxD <sup>*1</sup>	87	Output	CAN bus transmission pin
	HRxD <sup>*1</sup>	86	Input	CAN bus reception pin

Type	Symbol	Pin NO.	I/O	Function
A/D converter	AN7	95	Input	Analog input pins
	AN6	94		
	AN5	93		
	AN4	92		
	AN3	91		
	AN2	90		
	AN1	89		
	AN0	88		
	$\overline{\text{ADTRG}}$	79	Input	Pin for input of an external trigger to start A/D conversion
	$\text{AV}_{\text{cc}}$	96	Input	Power supply pin for the A/D converter. When the A/D converter is not used, connect this pin to the system power supply (+5V).
	$\text{AV}_{\text{ss}}$	97	Input	The ground pin for the A/D converter. Connect this pin to the system power supply (0V).
Motor control PWM timer	PWM1H	46	Output	PWM_1 pulse output pin
	PWM1G	45		
	PWM1F	44		
	PWM1E	43		
	PWM1D	40		
	PWM1C	39		
	PWM1B	38		
	PWM1A	37		
	PWM2H	56	Output	PWM_2 pulse output pin
	PWM2G	55		
	PWM2F	54		
	PWM2E	53		
	PWM2D	50		
	PWM2C	49		
PWM2B	48			
PWM2A	47			

Type	Symbol	Pin NO.	I/O	Function
LCD controller/ driver	SEG28	32	Output	Output pins for the LCD-segment-driving signals.
	SEG27	31		
	SEG26	30		
	SEG25	29		
	SEG24	28		
	SEG23	27		
	SEG22	26		
	SEG21	25		
	SEG20	24		
	SEG19	23		
	SEG18	22		
	SEG17	21		
	SEG16	18		
	SEG15	17		
	SEG14	16		
	SEG13	15		
	SEG12	14		
	SEG11	13		
	SEG10	12		
	SEG9	11		
SEG8	10			
SEG7	9			
SEG6	8			
SEG5	7			
SEG4	6			
SEG3	5			
SEG2	4			
SEG1	3			
	COM4	36	Output	Output pins for the LCD-common-driving signals.
	COM3	35		
	COM2	34		
	COM1	33		
I/O ports	P17	64	Input/ Output	Eight input/output pins
	P16	63		
	P15	62		
	P14	61		
	P13	60		
	P12	59		
	P11	58		
	P10	57		

Type	Symbol	Pin NO.	I/O	Function
I/O ports	P35	85	Input/ Output	Six input/output pins
	P34	84		
	P33	83		
	P32	82		
	P31	81		
	P30	80		
	P47	95	Input	Eight input pins
	P46	94		
	P45	93		
	P44	92		
	P43	91		
	P42	90		
	P41	89		
	P40	88		
	PA7	32	Input/ Output	Eight input/output pins
	PA6	31		
	PA5	30		
	PA4	29		
PA3	36			
PA2	35			
PA1	34			
PA0	33			
PB7	24	Input/ Output	Eight input/output pins	
PB6	23			
PB5	22			
PB4	21			
PB3	18			
PB2	17			
PB1	16			
PB0	15			
PC7	14	Input/ Output	Eight input/output pins	
PC6	13			
PC5	12			
PC4	11			
PC3	10			
PC2	9			
PC1	8			
PC0	7			

Type	Symbol	Pin NO.	I/O	Function
I/O ports	PD7	6	Input/ Output	Four input/output pins
	PD6	5		
	PD5	4		
	PD4	3		
	PF7	78	Input/ Output	Eight input/output pins
	PF6	28		
	PF5	27		
	PF4	26		
	PF3	79		
	PF2	25		
	PF1 <sup>*2</sup>	87		
	PF0 <sup>*2</sup>	86		
PH7	46	Input/ Output	Eight input/output pins	
PH6	45			
PH5	44			
PH4	43			
PH3	40			
PH2	39			
PH1	38			
PH0	37			
PJ7	56	Input/ Output	Eight input/output pins	
PJ6	55			
PJ5	54			
PJ4	53			
PJ3	50			
PJ2	49			
PJ1	48			
PJ0	47			

- Notes: 1. The H8S/2280 Group is not equipped with HCAN pins.  
2. The H8S/2282 Group is not equipped with PF1 and PF0 pins.

## 1.4.2 H8S/2280 Group (HD64F2280RB) Pin Functions

Type	Symbol	Pin NO.	I/O	Function
Power Supply	$V_{cc}$	2	Input	Power supply pins. Connect all these pins to the system power supply.
		77		
	PWMV <sub>cc</sub>	42	Input	Power supply pins for the ports H, J, and the motor control PWM timer.
		52		
	LPV <sub>cc</sub>	19	Input	Power supply pins for the ports A to D and F (PF2 and PF4 to PF6).
	V1	98	Input	Power supply pins for the LCD controller/driver. These pins are internally connected to the power-supply dividing resistors and in normal use are open-circuit. When power is supplied, the state is $LPV_{cc} \geq V1 \geq V2 \geq V3 \geq V_{ss}$
	V2	99		
V3	100			
$V_{ss}$	1	Input	Ground pins. Connect all these pins to the system power supply (0V).	
				20
74				
PWMV <sub>ss</sub>	41	Input	Power supply pins for the ports H, J, and the motor control PWM timer. Connect all these pins to the system power supply (0V).	
	51			
$V_{cl}$	71	Output	External capacitance pin for internal power-down power supply. Connect this pin to VSS via a 0.1- $\mu$ F capacitor (placed close to the pins).	
Clock	PLL $V_{ss}$	70	Input	On-chip PLL oscillator ground pin.
	PLLCAP	69	Output	External capacitance pin for an on-chip PLL oscillator.
	XTAL	76	Input	For connection to a crystal resonator. For examples of crystal resonator connection and external clock input, see section 19, Clock Pulse Generator.
	EXTAL	75	Input	For connection to a crystal resonator. (An external clock can be supplied from the EXTAL pin.) For examples of crystal resonator connection and external clock input, see section 19, Clock Pulse Generator.
	$\phi$	78	Output	Supplies the system clock to external devices.

Type	Symbol	Pin NO.	I/O	Function
Operating mode control	MD2	65	Input	Set the operating mode. Inputs at these pins should not be changed during operation.
	MD0	66		
System control	$\overline{\text{RES}}$	73	Input	Reset input pin. When this pin is low, the chip is reset.
	$\overline{\text{STBY}}$	68	Input	When this pin is low, a transition is made to hardware standby mode.
	FWE	72	Input	Pin for use by flash memory. This pin is only used in the flash memory version.
Interrupts	NMI	67	Input	Nonmaskable interrupt pin. If this pin is not used, it should be fixed-high.
	$\overline{\text{IRQ5}}$	85	Input	These pins request a maskable interrupt.
	$\overline{\text{IRQ4}}$	82		
	$\overline{\text{IRQ3}}$	79		
	$\overline{\text{IRQ2}}$	86		
	$\overline{\text{IRQ1}}$	63		
	$\overline{\text{IRQ0}}$	61		
16-bit timer-pulse unit	TCLKA	59		
	TCLKB	60		
	TCLKC	62		
	TCLKD	64		
	TIOCA0	57	Input/ Output	TGRA_0 to TGRD_0 input capture input/output compare output/PWM output pins.
	TIOCB0	58		
	TIOCC0	59		
	TIOCD0	60		
	TIOCA1	61	Input/ Output	TGRA_1 to TGRB_1 input capture input/output compare output/PWM output pins.
	TIOCB1	62		
TIOCA2	63	Input/ Output	TGRA_2 to TGRB_2 input capture input/output compare output/PWM output pins.	
TIOCB2	64			
Serial communication Interface (SCI)/smart card interface	TxD1	83	Output	Data output pins
	TxD0	80		
	RxD1	84	Input	Data input pins
	RxD0	81		
	SCK1	85	Input/ Output	Clock input/output pins
	SCK0	82		

Type	Symbol	Pin NO.	I/O	Function
A/D converter	AN7	95	Input	Analog input pins
	AN6	94		
	AN5	93		
	AN4	92		
	AN3	91		
	AN2	90		
	ADTRG	79		
	AV <sub>cc</sub>	96	Input	Power supply pin for the A/D converter. When the A/D converter is not used, connect this pin to the system power supply (+5V).
	AV <sub>ss</sub>	97	Input	The ground pin for the A/D converter. Connect this pin to the system power supply (0V).
Motor control PWM timer	PWM1H	46	Output	PWM_1 pulse output pin
	PWM1G	45		
	PWM1F	44		
	PWM1E	43		
	PWM1D	40		
	PWM1C	39		
	PWM1B	38		
	PWM1A	37		
	PWM2H	56	Output	PWM_2 pulse output pin
	PWM2G	55		
	PWM2F	54		
	PWM2E	53		
	PWM2D	50		
	PWM2C	49		
	PWM2B	48		
PWM2A	47			



Type	Symbol	Pin NO.	I/O	Function
LCD controller/ driver	SEG32	32	Output	Output pins for the LCD-segment-driving signals.
	SEG31	31		
	SEG30	30		
	SEG29	29		
	SEG28	28		
	SEG27	27		
	SEG26	26		
	SEG25	25		
	SEG24	24		
	SEG23	23		
	SEG22	22		
	SEG21	21		
	SEG20	18		
	SEG19	17		
	SEG18	16		
	SEG17	15		
	SEG16	14		
	SEG15	13		
	SEG14	12		
	SEG13	11		
SEG12	10			
SEG11	9			
SEG10	8			
SEG9	7			
SEG8	6			
SEG7	5			
SEG6	4			
SEG5	3			
SEG4	89			
SEG3	88			
SEG2	87			
SEG1	86			
	COM4	36	Output	Output pins for the LCD-common-driving signals.
	COM3	35		
	COM2	34		
	COM1	33		
I/O ports	P17	64	Input/ Output	Eight input/output pins
	P16	63		
	P15	62		
	P14	61		
	P13	60		
	P12	59		
	P11	58		
	P10	57		

Type	Symbol	Pin NO.	I/O	Function
I/O ports	P35	85	Input/ Output	Six input/output pins
	P34	84		
	P33	83		
	P32	82		
	P31	81		
	P30	80		
	P47	95	Input	Eight input pins
	P46	94		
	P45	93		
	P44	92		
	P43	91		
	P42	90		
	P41	89		
	P40	88		
	PA7	32	Input/ Output	Eight input/output pins
	PA6	31		
	PA5	30		
	PA4	29		
PA3	36			
PA2	35			
PA1	34			
PA0	33			
PB7	24	Input/ Output	Eight input/output pins	
PB6	23			
PB5	22			
PB4	21			
PB3	18			
PB2	17			
PB1	16			
PB0	15			
PC7	14	Input/ Output	Eight input/output pins	
PC6	13			
PC5	12			
PC4	11			
PC3	10			
PC2	9			
PC1	8			
PC0	7			

Type	Symbol	Pin NO.	I/O	Function
I/O ports	PD7	6	Input/ Output	Four input/output pins
	PD6	5		
	PD5	4		
	PD4	3		
	PF7	78	Input/ Output	Eight input/output pins
	PF6	28		
	PF5	27		
	PF4	26		
	PF3	79		
	PF2	25		
	PF1	87		
	PF0	86		
PH7	46	Input/ Output	Eight input/output pins	
PH6	45			
PH5	44			
PH4	43			
PH3	40			
PH2	39			
PH1	38			
PH0	37			
PJ7	56	Input/ Output	Eight input/output pins	
PJ6	55			
PJ5	54			
PJ4	53			
PJ3	50			
PJ2	49			
PJ1	48			
PJ0	47			



## Section 2 CPU

The H8S/2000 CPU is a high-speed central processing unit with an internal 32-bit architecture that is upward-compatible with the H8/300 and H8/300H CPUs. The H8S/2000 CPU has sixteen 16-bit general registers, can address a 16-Mbyte linear address space, and is ideal for realtime control. This section describes the H8S/2000 CPU. The usable modes and address spaces differ depending on the product. For details on each product, see section 3, MCU Operating Modes.

### 2.1 Features

- Upward-compatible with H8/300 and H8/300H CPUs
  - Can execute H8/300 and H8/300H CPUs object programs
- General-register architecture
  - Sixteen 16-bit general registers also usable as sixteen 8-bit registers or eight 32-bit registers
- Sixty-five basic instructions
  - 8/16/32-bit arithmetic and logic instructions
  - Multiply and divide instructions
  - Powerful bit-manipulation instructions
- Eight addressing modes
  - Register direct [Rn]
  - Register indirect [@ERn]
  - Register indirect with displacement [@(d:16,ERn) or @(d:32,ERn)]
  - Register indirect with post-increment or pre-decrement [@ERn+ or @-ERn]
  - Absolute address [@aa:8, @aa:16, @aa:24, or @aa:32]
  - Immediate [#xx:8, #xx:16, or #xx:32]
  - Program-counter relative [@(d:8,PC) or @(d:16,PC)]
  - Memory indirect [@@aa:8]
- 16-Mbyte address space
  - Program: 16 Mbytes
  - Data: 16 Mbytes
- High-speed operation
  - All frequently-used instructions execute in one or two states
  - 8/16/32-bit register-register add/subtract: 1 state
  - 8 × 8-bit register-register multiply: 12 states
  - 16 ÷ 8-bit register-register divide: 12 states

- $16 \times 16$ -bit register-register multiply: 20 states
- $32 \div 16$ -bit register-register divide: 20 states
- Two CPU operating modes
  - Normal mode\*
  - Advanced mode
- Power-down state
  - Transition to power-down state by SLEEP instruction
  - CPU clock speed selection

Note: \* Normal mode is not available in this LSI.

### 2.1.1 Differences between H8S/2600 CPU and H8S/2000 CPU

The differences between the H8S/2600 CPU and the H8S/2000 CPU are shown below.

- Register configuration
  - The MAC register is supported by the H8S/2600 CPU only.
- Basic instructions
  - The four instructions MAC, CLRMAC, LDMAC, and STMAC are supported by the H8S/2600 CPU only.
- The number of execution states of the MULXU and MULXS instructions;

Instruction	Mnemonic	Execution States	
		H8S/2600	H8S/2000
MULXU	MULXU.B Rs, Rd	3	12
	MULXU.W Rs, ERd	4	20
MULXS	MULXS.B Rs, Rd	4	13
	MULXS.W Rs, ERd	5	21

In addition, there are differences in address space, CCR and EXR register functions, and power-down modes, etc., depending on the model.

### 2.1.2 Differences from H8/300 CPU

In comparison to the H8/300 CPU, the H8S/2000 CPU has the following enhancements:

- More general registers and control registers
  - Eight 16-bit expanded registers, and one 8-bit and two 32-bit control registers, have been added.
- Expanded address space
  - Normal mode supports the same 64-kbyte address space as the H8/300 CPU.
  - Advanced mode supports a maximum 16-Mbyte address space.
- Enhanced addressing
  - The addressing modes have been enhanced to make effective use of the 16-Mbyte address space.
- Enhanced instructions
  - Addressing modes of bit-manipulation instructions have been enhanced.
  - Signed multiply and divide instructions have been added.
  - Two-bit shift instructions have been added.
  - Instructions for saving and restoring multiple registers have been added.
  - A test and set instruction has been added.
- Higher speed
  - Basic instructions execute twice as fast.

### 2.1.3 Differences from H8/300H CPU

In comparison to the H8/300H CPU, the H8S/2000 CPU has the following enhancements:

- Additional control register
  - One 8-bit and two 32-bit control registers have been added.
- Enhanced instructions
  - Addressing modes of bit-manipulation instructions have been enhanced.
  - Two-bit shift instructions have been added.
  - Instructions for saving and restoring multiple registers have been added.
  - A test and set instruction has been added.
- Higher speed
  - Basic instructions execute twice as fast.

## 2.2 CPU Operating Modes

The H8S/2000 CPU has two operating modes: normal and advanced. Normal mode supports a maximum 64-kbyte address space. Advanced mode supports a maximum 16-Mbyte total address space. The mode is selected by the mode pins.

### 2.2.1 Normal Mode

The exception vector table and stack have the same structure as in the H8/300 CPU.

- Address Space

A maximum address space of 64 kbytes can be accessed.

- Extended Registers (En)

The extended registers (E0 to E7) can be used as 16-bit registers, or as the upper 16-bit segments of 32-bit registers. When En is used as a 16-bit register it can contain any value, even when the corresponding general register (Rn) is used as an address register. If the general register is referenced in the register indirect addressing mode with pre-decrement (@-Rn) or post-increment (@Rn+) and a carry or borrow occurs, however, the value in the corresponding extended register (En) will be affected.

- Instruction Set

All instructions and addressing modes can be used. Only the lower 16 bits of effective addresses (EA) are valid.

- Exception Vector Table and Memory Indirect Branch Addresses

In normal mode the top area starting at H'0000 is allocated to the exception vector table. One branch address is stored per 16 bits. The exception vector table in normal mode is shown in figure 2.1. For details of the exception vector table, see section 4, Exception Handling.

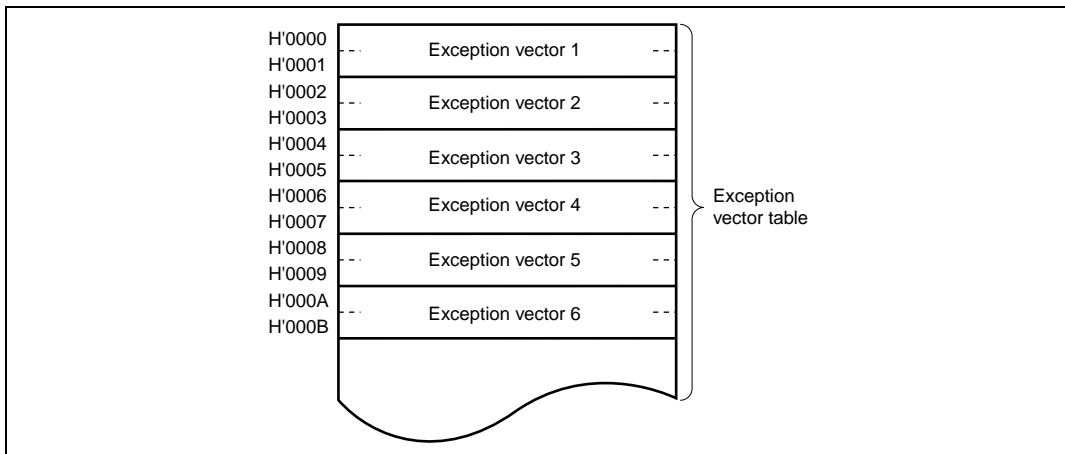
The memory indirect addressing mode (@@aa:8) employed in the JMP and JSR instructions uses an 8-bit absolute address included in the instruction code to specify a memory operand that contains a branch address. In normal mode the operand is a 16-bit word operand, providing a 16-bit branch address. Branch addresses can be stored in the top area from H'0000 to H'00FF. Note that this area is also used for the exception vector table.

- Stack Structure

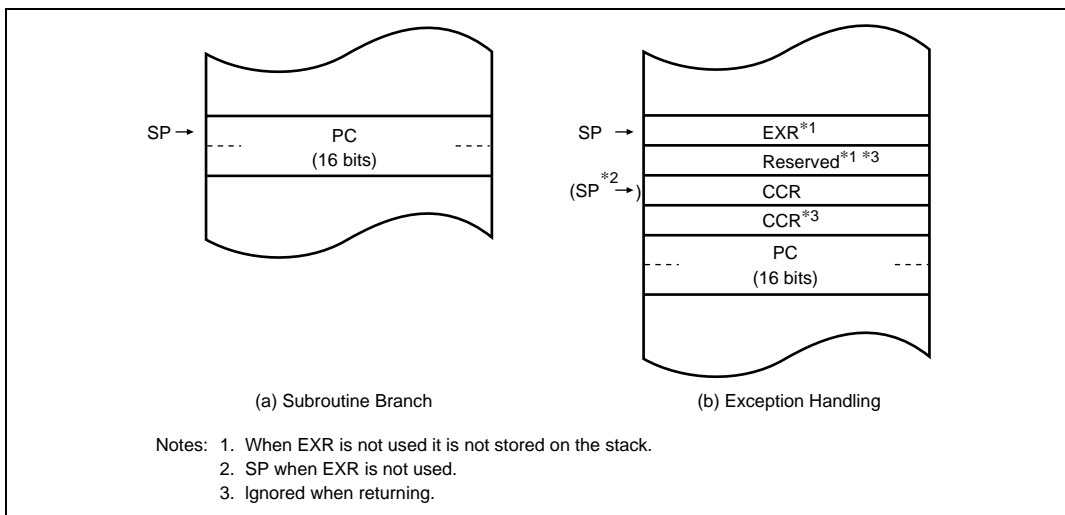
When the program counter (PC) is pushed onto the stack in a subroutine call, and the PC, condition-code register (CCR), and extended control register (EXR) is pushed onto the stack in exception handling, they are stored as shown in figure 2.2. EXR is not pushed onto the stack in interrupt control mode 0. For details, see section 4, Exception Handling.

Note: Normal mode is not available in this LSI.





**Figure 2.1 Exception Vector Table (Normal Mode)**



**Figure 2.2 Stack Structure in Normal Mode**

### 2.2.2 Advanced Mode

- Address Space

Linear access is provided to a 16-Mbyte maximum address space is provided.

- Extended Registers (En)

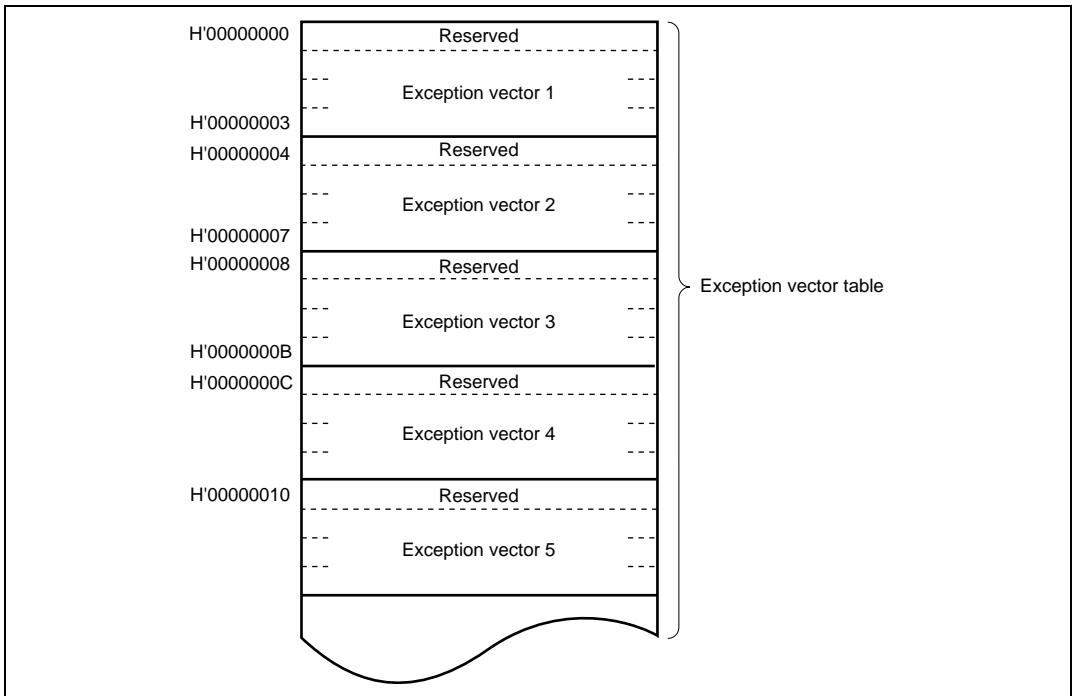
The extended registers (E0 to E7) can be used as 16-bit registers, or as the upper 16-bit segments of 32-bit registers or address registers.

- Instruction Set

All instructions and addressing modes can be used.

- Exception Vector Table and Memory Indirect Branch Addresses

In advanced mode, the top area starting at H'00000000 is allocated to the exception vector table in units of 32 bits. In each 32 bits, the upper 8 bits are ignored and a branch address is stored in the lower 24 bits (figure 2.3). For details of the exception vector table, see section 4, Exception Handling.

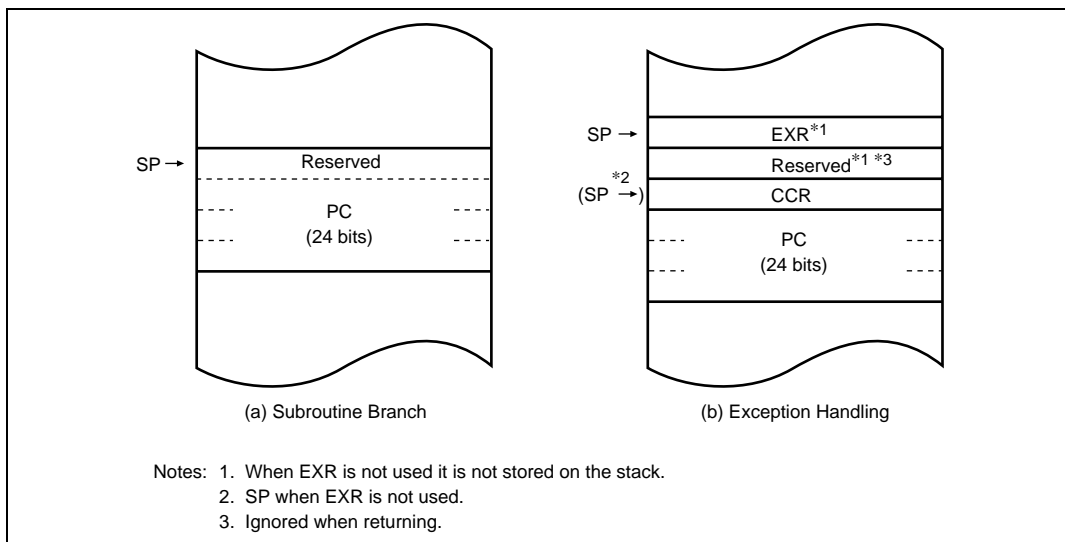


**Figure 2.3 Exception Vector Table (Advanced Mode)**

The memory indirect addressing mode (@@aa:8) employed in the JMP and JSR instructions uses an 8-bit absolute address included in the instruction code to specify a memory operand that contains a branch address. In advanced mode the operand is a 32-bit longword operand, providing a 32-bit branch address. The upper 8 bits of these 32 bits is a reserved area that is regarded as H'00. Branch addresses can be stored in the area from H'00000000 to H'000000FF. Note that the first part of this range is also the exception vector table.

- Stack Structure

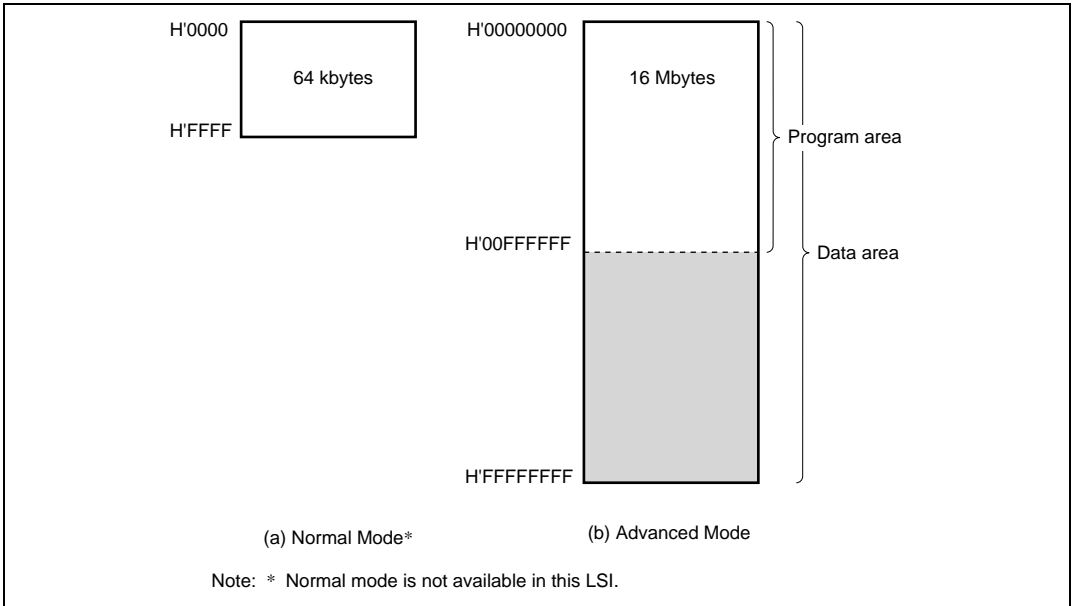
In advanced mode, when the program counter (PC) is pushed onto the stack in a subroutine call, and the PC, condition-code register (CCR), and extended control register (EXR) are pushed onto the stack in exception handling, they are stored as shown in figure 2.4. When EXR is invalid, it is not pushed onto the stack. For details, see section 4, Exception Handling.



**Figure 2.4 Stack Structure in Advanced Mode**

## 2.3 Address Space

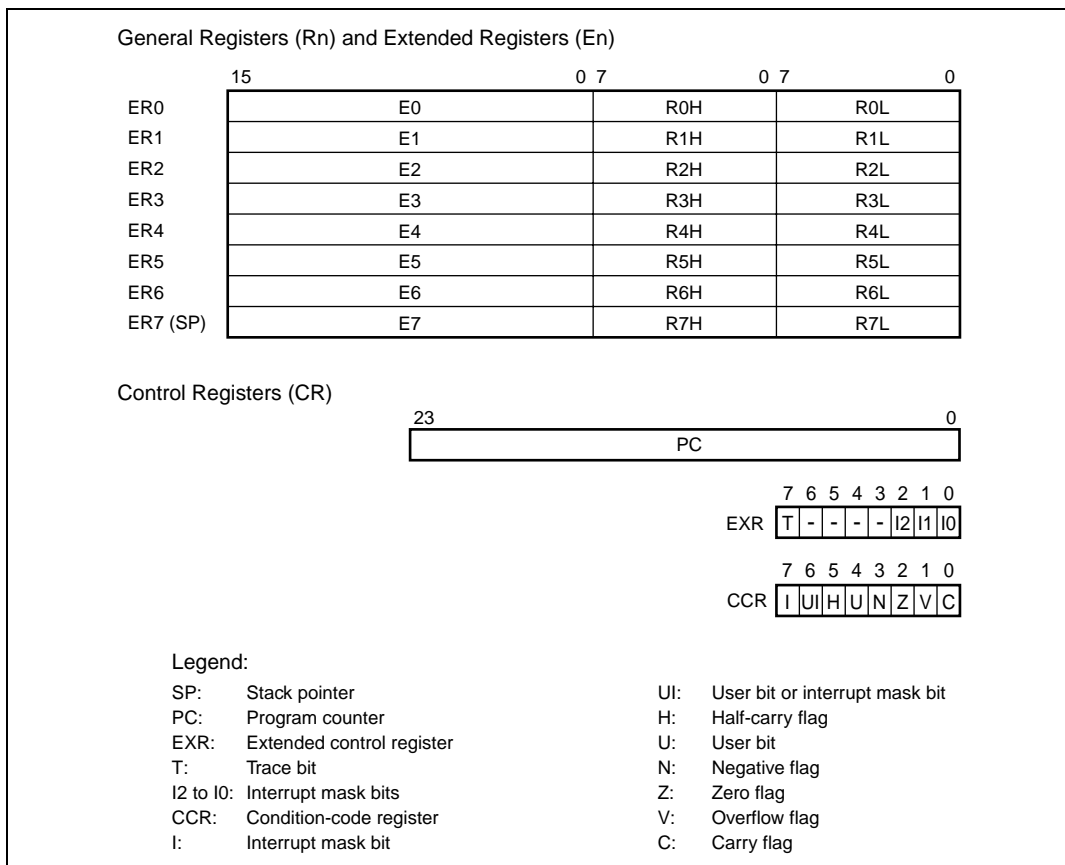
Figure 2.5 shows a memory map for the H8S/2000 CPU. The H8S/2000 CPU provides linear access to a maximum 64-kbyte address space in normal mode, and a maximum 16-Mbyte (architecturally 4-Gbyte) address space in advanced mode. The usable modes and address spaces differ depending on the product. For details on each product, see section 3, MCU Operating Modes.



**Figure 2.5 Memory Map**

## 2.4 Register Configuration

The H8S/2000 CPU has the internal registers shown in figure 2.6. There are two types of registers; general registers and control registers. The control registers are a 24-bit program counter (PC), an 8-bit extended control register (EXR), and an 8-bit condition code register (CCR).



**Figure 2.6 CPU Registers**

### 2.4.1 General Registers

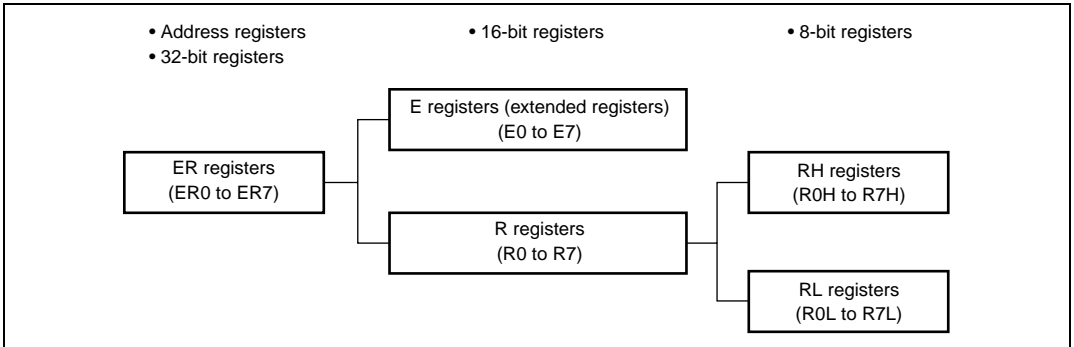
The H8S/2000 CPU has eight 32-bit general registers. These general registers are all functionally identical and can be used as both address registers and data registers. When a general register is used as a data register, it can be accessed as a 32-bit, 16-bit, or 8-bit register. Figure 2.7 illustrates the usage of the general registers. When the general registers are used as 32-bit registers or address registers, they are designated by the letters ER (ER0 to ER7).

The ER registers divide into 16-bit general registers designated by the letters E (E0 to E7) and R (R0 to R7). These registers are functionally equivalent, providing a maximum of sixteen 16-bit registers. The E registers (E0 to E7) are also referred to as extended registers.

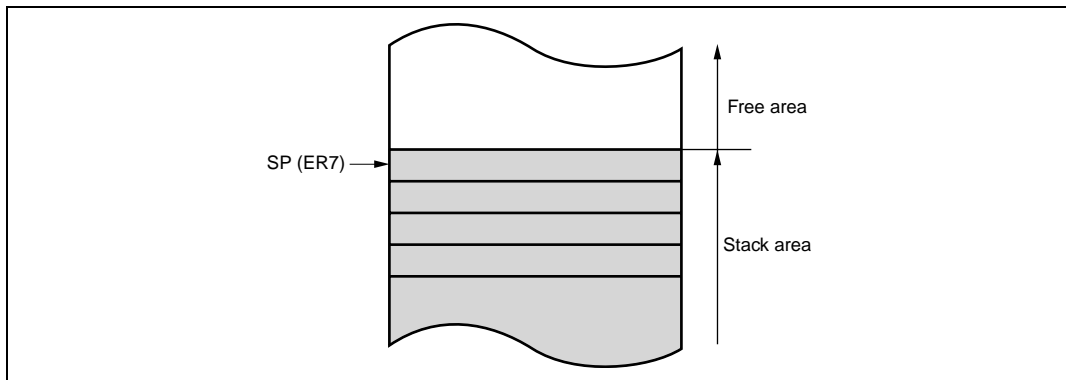
The R registers divide into 8-bit general registers designated by the letters RH (R0H to R7H) and RL (R0L to R7L). These registers are functionally equivalent, providing a maximum of sixteen 8-bit registers.

The usage of each register can be selected independently.

General register ER7 has the function of stack pointer (SP) in addition to its general-register function, and is used implicitly in exception handling and subroutine calls. Figure 2.8 shows the stack.



**Figure 2.7 Usage of General Registers**



**Figure 2.8 Stack Status**

### 2.4.2 Program Counter (PC)

This 24-bit counter indicates the address of the next instruction the CPU will execute. The length of all CPU instructions is 2 bytes (one word), so the least significant PC bit is ignored. (When an instruction is fetched, the least significant PC bit is regarded as 0).

### 2.4.3 Extended Control Register (EXR)

EXR is an 8-bit register that manipulates the LDC, STC, ANDC, ORC, and XORC instructions. When these instructions, except for the STC instruction, are executed, all interrupts including NMI will be masked for three states after execution is completed.

Bit	Bit Name	Initial Value	R/W	Description
7	T	0	R/W	Trace Bit When this bit is set to 1, a trace exception is generated each time an instruction is executed. When this bit is cleared to 0, instructions are executed in sequence.
6 to 3	—	All 1	—	Reserved These bits are always read as 1.
2	I2	1	R/W	These bits designate the interrupt mask level (0 to 7). For details, see section 5, Interrupt Controller.
1	I1	1	R/W	
0	I0	1	R/W	

### 2.4.4 Condition-Code Register (CCR)

This 8-bit register contains internal CPU status information, including an interrupt mask bit (I) and half-carry (H), negative (N), zero (Z), overflow (V), and carry (C) flags.

Operations can be performed on the CCR bits by the LDC, STC, ANDC, ORC, and XORC instructions. The N, Z, V, and C flags are used as branching conditions for conditional branch (Bcc) instructions.

Bit	Bit Name	Initial Value	R/W	Description
7	I	1	R/W	<p>Interrupt Mask Bit</p> <p>Masks interrupts other than NMI when set to 1. NMI is accepted regardless of the I bit setting. The I bit is set to 1 by hardware at the start of an exception-handling sequence. For details, see section 5, Interrupt Controller.</p>
6	UI	Undefined	R/W	<p>User Bit or Interrupt Mask Bit</p> <p>Can be written and read by software using the LDC, STC, ANDC, ORC, and XORC instructions. This bit cannot be used as an interrupt mask bit in this LSI.</p>
5	H	Undefined	R/W	<p>Half-Carry Flag</p> <p>When the ADD.B, ADDX.B, SUB.B, SUBX.B, CMP.B, or NEG.B instruction is executed, this flag is set to 1 if there is a carry or borrow at bit 3, and cleared to 0 otherwise. When the ADD.W, SUB.W, CMP.W, or NEG.W instruction is executed, the H flag is set to 1 if there is a carry or borrow at bit 11, and cleared to 0 otherwise. When the ADD.L, SUB.L, CMP.L, or NEG.L instruction is executed, the H flag is set to 1 if there is a carry or borrow at bit 27, and cleared to 0 otherwise.</p>
4	U	Undefined	R/W	<p>User Bit</p> <p>Can be written and read by software using the LDC, STC, ANDC, ORC, and XORC instructions.</p>
3	N	Undefined	R/W	<p>Negative Flag</p> <p>Stores the value of the most significant bit of data as a sign bit.</p>



Bit	Bit Name	Initial Value	R/W	Description
2	Z	Undefined	R/W	Zero Flag Set to 1 to indicate zero data, and cleared to 0 to indicate non-zero data.
1	V	Undefined	R/W	Overflow Flag Set to 1 when an arithmetic overflow occurs, and cleared to 0 at other times.
0	C	Undefined	R/W	Carry Flag Set to 1 when a carry occurs, and cleared to 0 otherwise. Used by: <ul style="list-style-type: none"> <li>• Add instructions, to indicate a carry</li> <li>• Subtract instructions, to indicate a borrow</li> <li>• Shift and rotate instructions, to indicate a carry</li> </ul> The carry flag is also used as a bit accumulator by bit manipulation instructions.

#### 2.4.5 Initial Values of CPU Registers

Reset exception handling loads the CPU's program counter (PC) from the vector table, clears the trace bit in EXR to 0, and sets the interrupt mask bits in CCR and EXR to 1. The other CCR bits and the general registers are not initialized. In particular, the stack pointer (ER7) is not initialized. The stack pointer should therefore be initialized by an MOV.L instruction executed immediately after a reset.

## 2.5 Data Formats

The H8S/2000 CPU can process 1-bit, 4-bit (BCD), 8-bit (byte), 16-bit (word), and 32-bit (longword) data. Bit-manipulation instructions operate on 1-bit data by accessing bit  $n$  ( $n = 0, 1, 2, \dots, 7$ ) of byte operand data. The DAA and DAS decimal-adjust instructions treat byte data as two digits of 4-bit BCD data.

### 2.5.1 General Register Data Formats

Figure 2.9 shows the data formats in general registers.

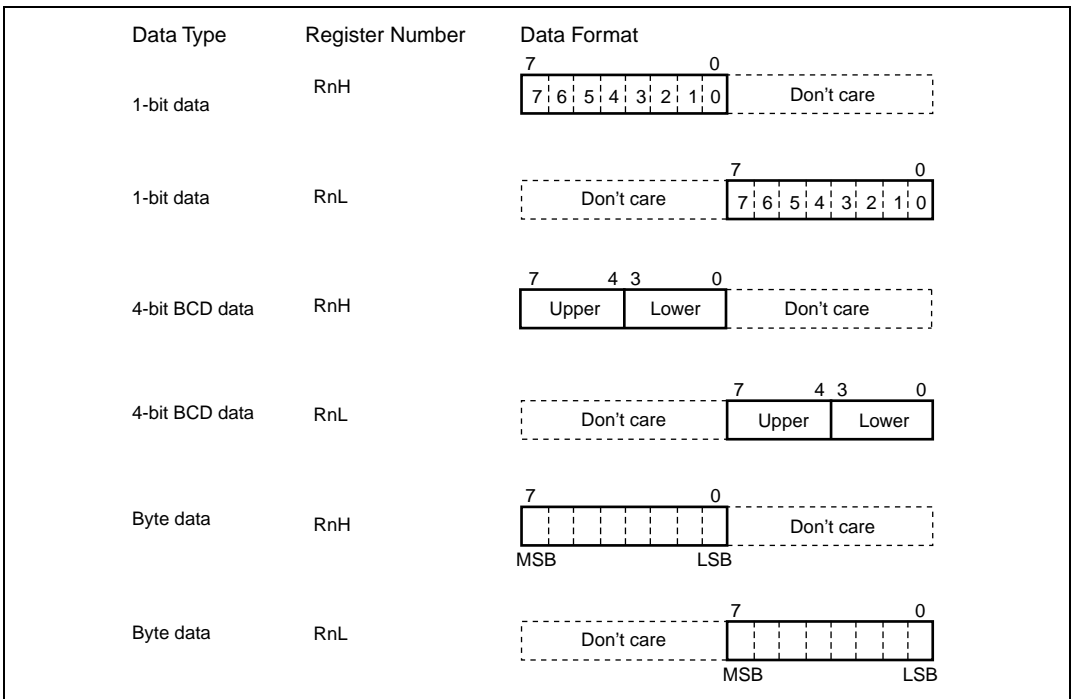
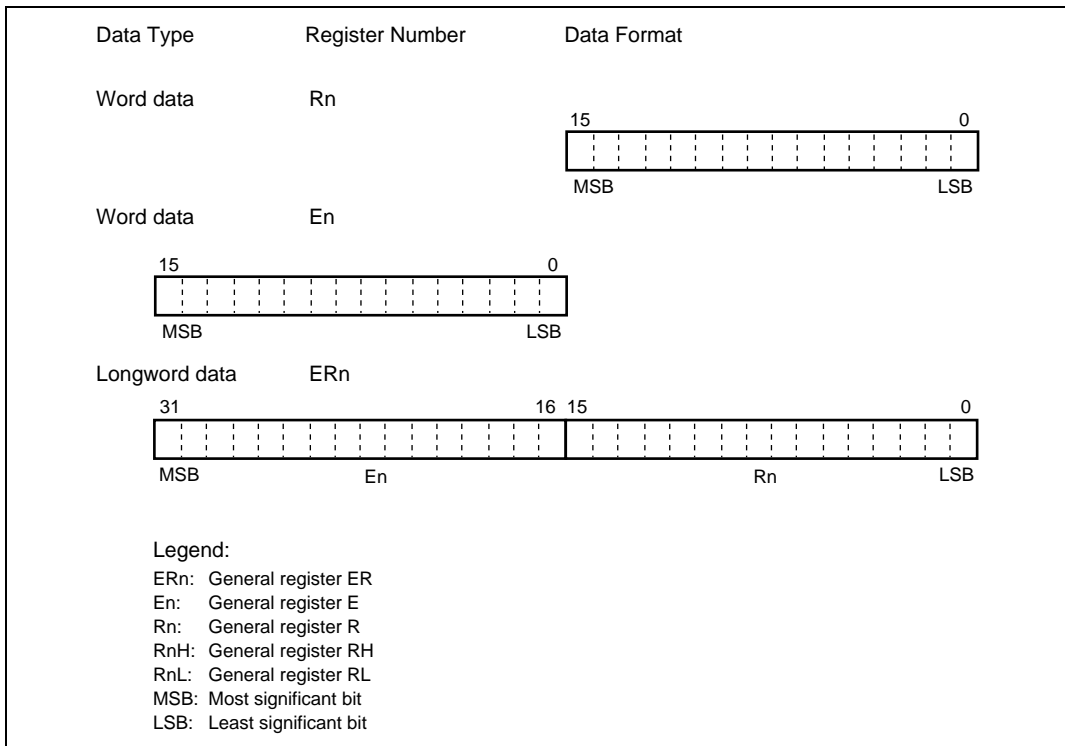


Figure 2.9 General Register Data Formats (1)

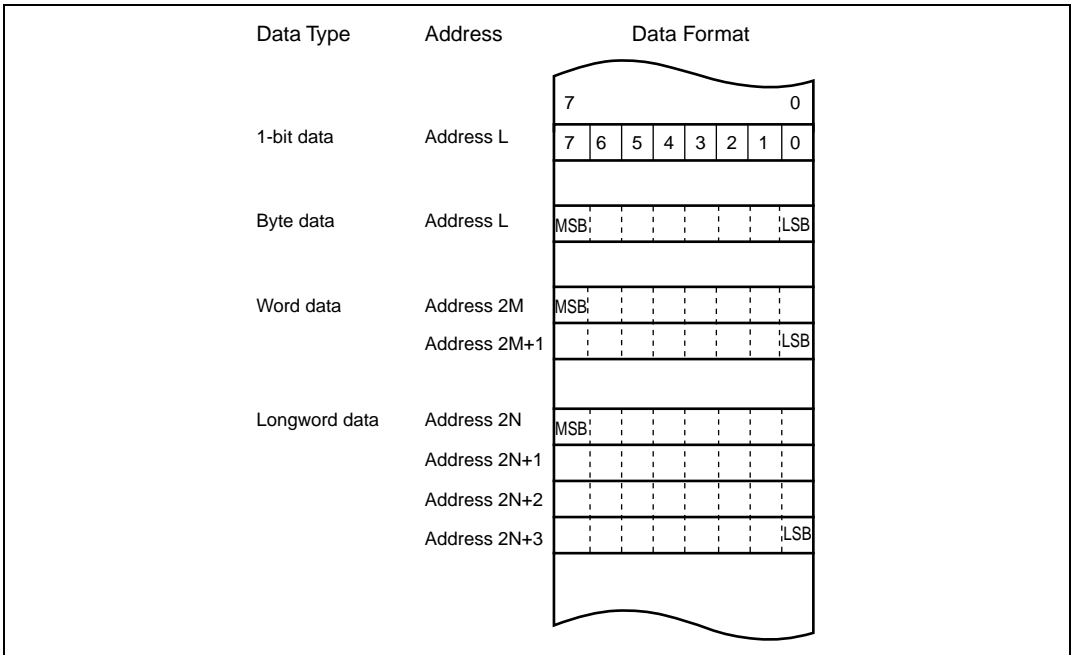


**Figure 2.9 General Register Data Formats (2)**

## 2.5.2 Memory Data Formats

Figure 2.10 shows the data formats in memory. The H8S/2000 CPU can access word data and longword data in memory, however word or longword data must begin at an even address. If an attempt is made to access word or longword data at an odd address, an address error does not occur, however the least significant bit of the address is regarded as 0, so access begins the preceding address. This also applies to instruction fetches.

When ER7 is used as an address register to access the stack, the operand size should be word or longword.



**Figure 2.10 Memory Data Formats**

## 2.6 Instruction Set

The H8S/2000 CPU has 65 instructions. The instructions are classified by function in table 2.1.

**Table 2.1 Instruction Classification**

Function	Instructions	Size	Types
Data transfer	MOV	B/W/L	5
	POP <sup>*1</sup> , PUSH <sup>*1</sup>	W/L	
	LDM, STM	L	
	MOVFPE <sup>*3</sup> , MOVTPPE <sup>*3</sup>	B	
Arithmetic operations	ADD, SUB, CMP, NEG	B/W/L	19
	ADDX, SUBX, DAA, DAS	B	
	INC, DEC	B/W/L	
	ADDS, SUBS	L	
	MULXU, DIVXU, MULXS, DIVXS	B/W	
	EXTU, EXT5	W/L	
	TAS <sup>*4</sup>	B	
Logic operations	AND, OR, XOR, NOT	B/W/L	4
Shift	SHAL, SHAR, SHLL, SHLR, ROTL, ROTR, ROTXL, ROTXR	B/W/L	8
Bit manipulation	BSET, BCLR, BNOT, BTST, BLD, BILD, BST, BIST, BAND, BIAND, BOR, BIOR, BXOR, BIXOR	B	14
Branch	Bcc <sup>*2</sup> , JMP, BSR, JSR, RTS	—	5
System control	TRAPA, RTE, SLEEP, LDC, STC, ANDC, ORC, XORC, NOP	—	9
Block data transfer	EEPMOV	—	1
			Total: 65

Legend:

B: Byte

W: Word

L: Longword

- Notes:
1. POP.W Rn and PUSH.W Rn are identical to MOV.W @SP+, Rn and MOV.W Rn, @-SP. POP.L ERn and PUSH.L ERn are identical to MOV.L @SP+, ERn and MOV.L ERn, @-SP.
  2. Bcc is the general name for conditional branch instructions.
  3. Cannot be used in this LSI.
  4. Only register ER0, ER1, ER4, or ER5 should be used when using the TAS instruction.

## 2.6.1 Table of Instructions Classified by Function

Tables 2.3 to 2.10 summarize the instructions in each functional category. The notation used in tables 2.3 to 2.10 is defined below.

**Table 2.2 Operation Notation**

Symbol	Description
Rd	General register (destination)*
Rs	General register (source)*
Rn	General register*
ERn	General register (32-bit register)
(EAd)	Destination operand
(EAs)	Source operand
EXR	Extended control register
CCR	Condition-code register
N	N (negative) flag in CCR
Z	Z (zero) flag in CCR
V	V (overflow) flag in CCR
C	C (carry) flag in CCR
PC	Program counter
SP	Stack pointer
#IMM	Immediate data
disp	Displacement
+	Addition
-	Subtraction
×	Multiplication
÷	Division
^	Logical AND
∨	Logical OR
⊕	Logical XOR
→	Move
~	NOT (logical complement)
:8/:16/:24/:32	8-, 16-, 24-, or 32-bit length

Note: \* General registers include 8-bit registers (R0H to R7H, R0L to R7L), 16-bit registers (R0 to R7, E0 to E7), and 32-bit registers (ER0 to ER7).

**Table 2.3 Data Transfer Instructions**

<b>Instruction</b>	<b>Size*</b>	<b>Function</b>
MOV	B/W/L	(EAs) → Rd, Rs → (EAd) Moves data between two general registers or between a general register and memory, or moves immediate data to a general register.
MOVFPPE	B	Cannot be used in this LSI.
MOVTPE	B	Cannot be used in this LSI.
POP	W/L	@SP+ → Rn Pops a general register from the stack. POP.W Rn is identical to MOV.W @SP+, Rn. POP.L ERn is identical to MOV.L @SP+, ERn.
PUSH	W/L	Rn → @-SP Pushes a general register onto the stack. PUSH.W Rn is identical to MOV.W Rn, @-SP. PUSH.L ERn is identical to MOV.L ERn, @-SP.
LDM	L	@SP+ → Rn (register list) Pops two or more general registers from the stack.
STM	L	Rn (register list) → @-SP Pushes two or more general registers onto the stack.

Note: \* Refers to the operand size.

B: Byte

W: Word

L: Longword

**Table 2.4 Arithmetic Operations Instructions (1)**

<b>Instruction</b>	<b>Size*</b>	<b>Function</b>
ADD SUB	B/W/L	$Rd \pm Rs \rightarrow Rd$ , $Rd \pm \#IMM \rightarrow Rd$ Performs addition or subtraction on data in two general registers, or on immediate data and data in a general register (immediate byte data cannot be subtracted from byte data in a general register. Use the SUBX or ADD instruction.)
ADDX SUBX	B	$Rd \pm Rs \pm C \rightarrow Rd$ , $Rd \pm \#IMM \pm C \rightarrow Rd$ Performs addition or subtraction with carry on byte data in two general registers, or on immediate data and data in a general register.
INC DEC	B/W/L	$Rd \pm 1 \rightarrow Rd$ , $Rd \pm 2 \rightarrow Rd$ Increments or decrements a general register by 1 or 2. (Byte operands can be incremented or decremented by 1 only.)
ADDS SUBS	L	$Rd \pm 1 \rightarrow Rd$ , $Rd \pm 2 \rightarrow Rd$ , $Rd \pm 4 \rightarrow Rd$ Adds or subtracts the value 1, 2, or 4 to or from data in a 32-bit register.
DAA DAS	B	$Rd$ decimal adjust $\rightarrow Rd$ Decimal-adjusts an addition or subtraction result in a general register by referring to the CCR to produce 4-bit BCD data.
MULXU	B/W	$Rd \times Rs \rightarrow Rd$ Performs unsigned multiplication on data in two general registers: either 8 bits $\times$ 8 bits $\rightarrow$ 16 bits or 16 bits $\times$ 16 bits $\rightarrow$ 32 bits.
MULXS	B/W	$Rd \times Rs \rightarrow Rd$ Performs signed multiplication on data in two general registers: either 8 bits $\times$ 8 bits $\rightarrow$ 16 bits or 16 bits $\times$ 16 bits $\rightarrow$ 32 bits.
DIVXU	B/W	$Rd \div Rs \rightarrow Rd$ Performs unsigned division on data in two general registers: either 16 bits $\div$ 8 bits $\rightarrow$ 8-bit quotient and 8-bit remainder or 32 bits $\div$ 16 bits $\rightarrow$ 16-bit quotient and 16-bit remainder.

Note: \* Refers to the operand size.

B: Byte

W: Word

L: Longword



**Table 2.4 Arithmetic Operations Instructions (2)**

<b>Instruction</b>	<b>Size<sup>*1</sup></b>	<b>Function</b>
DIVXS	B/W	Rd $\div$ Rs $\rightarrow$ Rd Performs signed division on data in two general registers: either 16 bits $\div$ 8 bits $\rightarrow$ 8-bit quotient and 8-bit remainder or 32 bits $\div$ 16 bits $\rightarrow$ 16-bit quotient and 16-bit remainder.
CMP	B/W/L	Rd – Rs, Rd – #IMM Compares data in a general register with data in another general register or with immediate data, and sets CCR bits according to the result.
NEG	B/W/L	0 – Rd $\rightarrow$ Rd Takes the two's complement (arithmetic complement) of data in a general register.
EXTU	W/L	Rd (zero extension) $\rightarrow$ Rd Extends the lower 8 bits of a 16-bit register to word size, or the lower 16 bits of a 32-bit register to longword size, by padding with zeros on the left.
EXTS	W/L	Rd (sign extension) $\rightarrow$ Rd Extends the lower 8 bits of a 16-bit register to word size, or the lower 16 bits of a 32-bit register to longword size, by extending the sign bit.
TAS <sup>*2</sup>	B	@ERd – 0, 1 $\rightarrow$ (<bit 7> of @ERd) Tests memory contents, and sets the most significant bit (bit 7) to 1.

Notes: 1. Refers to the operand size.

B: Byte

W: Word

L: Longword

2. Only register ER0, ER1, ER4, or ER5 should be used when using the TAS instruction.

**Table 2.5 Logic Operations Instructions**

<b>Instruction</b>	<b>Size*</b>	<b>Function</b>
AND	B/W/L	$Rd \wedge Rs \rightarrow Rd$ , $Rd \wedge \#IMM \rightarrow Rd$ Performs a logical AND operation on a general register and another general register or immediate data.
OR	B/W/L	$Rd \vee Rs \rightarrow Rd$ , $Rd \vee \#IMM \rightarrow Rd$ Performs a logical OR operation on a general register and another general register or immediate data.
XOR	B/W/L	$Rd \oplus Rs \rightarrow Rd$ , $Rd \oplus \#IMM \rightarrow Rd$ Performs a logical exclusive OR operation on a general register and another general register or immediate data.
NOT	B/W/L	$\sim (Rd) \rightarrow (Rd)$ Takes the one's complement of general register contents.

Note: \* Refers to the operand size.

B: Byte

W: Word

L: Longword

**Table 2.6 Shift Instructions**

<b>Instruction</b>	<b>Size*</b>	<b>Function</b>
SHAL SHAR	B/W/L	$Rd \text{ (shift)} \rightarrow Rd$ Performs an arithmetic shift on general register contents. 1-bit or 2-bit shifts are possible.
SHLL SHLR	B/W/L	$Rd \text{ (shift)} \rightarrow Rd$ Performs a logical shift on general register contents. 1-bit or 2-bit shifts are possible.
ROTL ROTR	B/W/L	$Rd \text{ (rotate)} \rightarrow Rd$ Rotates general register contents. 1-bit or 2-bit rotations are possible.
ROTXL ROTXR	B/W/L	$Rd \text{ (rotate)} \rightarrow Rd$ Rotates general register contents through the carry flag. 1-bit or 2-bit rotations are possible.

Note: \* Refers to the operand size.

B: Byte

W: Word

L: Longword

**Table 2.7 Bit Manipulation Instructions (1)**

<b>Instruction</b>	<b>Size*</b>	<b>Function</b>
BSET	B	$1 \rightarrow \langle \text{bit-No.} \rangle \text{ of } \langle \text{EAd} \rangle$ Sets a specified bit in a general register or memory operand to 1. The bit number is specified by 3-bit immediate data or the lower three bits of a general register.
BCLR	B	$0 \rightarrow \langle \text{bit-No.} \rangle \text{ of } \langle \text{EAd} \rangle$ Clears a specified bit in a general register or memory operand to 0. The bit number is specified by 3-bit immediate data or the lower three bits of a general register.
BNOT	B	$\sim \langle \text{bit-No.} \rangle \text{ of } \langle \text{EAd} \rangle \rightarrow \langle \text{bit-No.} \rangle \text{ of } \langle \text{EAd} \rangle$ Inverts a specified bit in a general register or memory operand. The bit number is specified by 3-bit immediate data or the lower three bits of a general register.
BTST	B	$\sim \langle \text{bit-No.} \rangle \text{ of } \langle \text{EAd} \rangle \rightarrow Z$ Tests a specified bit in a general register or memory operand and sets or clears the Z flag accordingly. The bit number is specified by 3-bit immediate data or the lower three bits of a general register.
BAND	B	$C \wedge \langle \text{bit-No.} \rangle \text{ of } \langle \text{EAd} \rangle \rightarrow C$ ANDs the carry flag with a specified bit in a general register or memory operand and stores the result in the carry flag.
BIAND	B	$C \wedge \sim \langle \text{bit-No.} \rangle \text{ of } \langle \text{EAd} \rangle \rightarrow C$ ANDs the carry flag with the inverse of a specified bit in a general register or memory operand and stores the result in the carry flag. The bit number is specified by 3-bit immediate data.
BOR	B	$C \vee \langle \text{bit-No.} \rangle \text{ of } \langle \text{EAd} \rangle \rightarrow C$ ORs the carry flag with a specified bit in a general register or memory operand and stores the result in the carry flag.
BIOR	B	$C \vee \sim \langle \text{bit-No.} \rangle \text{ of } \langle \text{EAd} \rangle \rightarrow C$ ORs the carry flag with the inverse of a specified bit in a general register or memory operand and stores the result in the carry flag. The bit number is specified by 3-bit immediate data.

Note: \* Refers to the operand size.

B: Byte

**Table 2.7 Bit Manipulation Instructions (2)**

<b>Instruction</b>	<b>Size*</b>	<b>Function</b>
BXOR	B	$C \oplus (<\text{bit-No.}> \text{ of } <\text{EAd}>) \rightarrow C$ XORs the carry flag with a specified bit in a general register or memory operand and stores the result in the carry flag.
BIXOR	B	$C \oplus \sim (<\text{bit-No.}> \text{ of } <\text{EAd}>) \rightarrow C$ XORs the carry flag with the inverse of a specified bit in a general register or memory operand and stores the result in the carry flag. The bit number is specified by 3-bit immediate data.
BLD	B	$(<\text{bit-No.}> \text{ of } <\text{EAd}>) \rightarrow C$ Transfers a specified bit in a general register or memory operand to the carry flag.
BILD	B	$\sim (<\text{bit-No.}> \text{ of } <\text{EAd}>) \rightarrow C$ Transfers the inverse of a specified bit in a general register or memory operand to the carry flag. The bit number is specified by 3-bit immediate data.
BST	B	$C \rightarrow (<\text{bit-No.}> \text{ of } <\text{EAd}>)$ Transfers the carry flag value to a specified bit in a general register or memory operand.
BIST	B	$\sim C \rightarrow (<\text{bit-No.}> \text{ of } <\text{EAd}>)$ Transfers the inverse of the carry flag value to a specified bit in a general register or memory operand. The bit number is specified by 3-bit immediate data.

Note: \* Refers to the operand size.

B: Byte

**Table 2.8 Branch Instructions**

<b>Instruction</b>	<b>Size</b>	<b>Function</b>																																																			
Bcc	—	Branches to a specified address if a specified condition is true. The branching conditions are listed below.																																																			
		<table border="1"> <thead> <tr> <th><b>Mnemonic</b></th> <th><b>Description</b></th> <th><b>Condition</b></th> </tr> </thead> <tbody> <tr> <td>BRA(BT)</td> <td>Always (true)</td> <td>Always</td> </tr> <tr> <td>BRN(BF)</td> <td>Never (false)</td> <td>Never</td> </tr> <tr> <td>BHI</td> <td>High</td> <td><math>C \vee Z = 0</math></td> </tr> <tr> <td>BLS</td> <td>Low or same</td> <td><math>C \vee Z = 1</math></td> </tr> <tr> <td>BCC(BHS)</td> <td>Carry clear (high or same)</td> <td><math>C = 0</math></td> </tr> <tr> <td>BCS(BLO)</td> <td>Carry set (low)</td> <td><math>C = 1</math></td> </tr> <tr> <td>BNE</td> <td>Not equal</td> <td><math>Z = 0</math></td> </tr> <tr> <td>BEQ</td> <td>Equal</td> <td><math>Z = 1</math></td> </tr> <tr> <td>BVC</td> <td>Overflow clear</td> <td><math>V = 0</math></td> </tr> <tr> <td>BVS</td> <td>Overflow set</td> <td><math>V = 1</math></td> </tr> <tr> <td>BPL</td> <td>Plus</td> <td><math>N = 0</math></td> </tr> <tr> <td>BMI</td> <td>Minus</td> <td><math>N = 1</math></td> </tr> <tr> <td>BGE</td> <td>Greater or equal</td> <td><math>N \oplus V = 0</math></td> </tr> <tr> <td>BLT</td> <td>Less than</td> <td><math>N \oplus V = 1</math></td> </tr> <tr> <td>BGT</td> <td>Greater than</td> <td><math>Z \vee (N \oplus V) = 0</math></td> </tr> <tr> <td>BLE</td> <td>Less or equal</td> <td><math>Z \vee (N \oplus V) = 1</math></td> </tr> </tbody> </table>	<b>Mnemonic</b>	<b>Description</b>	<b>Condition</b>	BRA(BT)	Always (true)	Always	BRN(BF)	Never (false)	Never	BHI	High	$C \vee Z = 0$	BLS	Low or same	$C \vee Z = 1$	BCC(BHS)	Carry clear (high or same)	$C = 0$	BCS(BLO)	Carry set (low)	$C = 1$	BNE	Not equal	$Z = 0$	BEQ	Equal	$Z = 1$	BVC	Overflow clear	$V = 0$	BVS	Overflow set	$V = 1$	BPL	Plus	$N = 0$	BMI	Minus	$N = 1$	BGE	Greater or equal	$N \oplus V = 0$	BLT	Less than	$N \oplus V = 1$	BGT	Greater than	$Z \vee (N \oplus V) = 0$	BLE	Less or equal	$Z \vee (N \oplus V) = 1$
<b>Mnemonic</b>	<b>Description</b>	<b>Condition</b>																																																			
BRA(BT)	Always (true)	Always																																																			
BRN(BF)	Never (false)	Never																																																			
BHI	High	$C \vee Z = 0$																																																			
BLS	Low or same	$C \vee Z = 1$																																																			
BCC(BHS)	Carry clear (high or same)	$C = 0$																																																			
BCS(BLO)	Carry set (low)	$C = 1$																																																			
BNE	Not equal	$Z = 0$																																																			
BEQ	Equal	$Z = 1$																																																			
BVC	Overflow clear	$V = 0$																																																			
BVS	Overflow set	$V = 1$																																																			
BPL	Plus	$N = 0$																																																			
BMI	Minus	$N = 1$																																																			
BGE	Greater or equal	$N \oplus V = 0$																																																			
BLT	Less than	$N \oplus V = 1$																																																			
BGT	Greater than	$Z \vee (N \oplus V) = 0$																																																			
BLE	Less or equal	$Z \vee (N \oplus V) = 1$																																																			
JMP	—	Branches unconditionally to a specified address.																																																			
BSR	—	Branches to a subroutine at a specified address.																																																			
JSR	—	Branches to a subroutine at a specified address.																																																			
RTS	—	Returns from a subroutine																																																			

**Table 2.9 System Control Instructions**

<b>Instruction</b>	<b>Size*</b>	<b>Function</b>
TRAPA	—	Starts trap-instruction exception handling.
RTE	—	Returns from an exception-handling routine.
SLEEP	—	Causes a transition to a power-down state.
LDC	B/W	(EAs) → CCR, (EAs) → EXR Moves the source operand contents or immediate data to CCR or EXR. Although CCR and EXR are 8-bit registers, word-size transfers are performed between them and memory. The upper 8 bits are valid.
STC	B/W	CCR → (EAd), EXR → (EAd) Transfers CCR or EXR contents to a general register or memory. Although CCR and EXR are 8-bit registers, word-size transfers are performed between them and memory. The upper 8 bits are valid.
ANDC	B	CCR ∧ #IMM → CCR, EXR ∧ #IMM → EXR Logically ANDs the CCR or EXR contents with immediate data.
ORC	B	CCR ∨ #IMM → CCR, EXR ∨ #IMM → EXR Logically ORs the CCR or EXR contents with immediate data.
XORC	B	CCR ⊕ #IMM → CCR, EXR ⊕ #IMM → EXR Logically XORs the CCR or EXR contents with immediate data.
NOP	—	PC + 2 → PC Only increments the program counter.

Note: \* Refers to the operand size.

B: Byte

W: Word

**Table 2.10 Block Data Transfer Instructions**

<b>Instruction</b>	<b>Size</b>	<b>Function</b>
EEPMOV.B	—	if R4L $\neq$ 0 then Repeat @ER5+ $\rightarrow$ @ER6+ R4L-1 $\rightarrow$ R4L Until R4L = 0 else next;
EEPMOV.W	—	if R4 $\neq$ 0 then Repeat @ER5+ $\rightarrow$ @ER6+ R4-1 $\rightarrow$ R4 Until R4 = 0 else next;  Transfers a data block. Starting from the address set in ER5, transfers data for the number of bytes set in R4L or R4 to the address location set in ER6.  Execution of the next instruction begins as soon as the transfer is completed.

## 2.6.2 Basic Instruction Formats

This LSI's instructions consist of 2-byte (1-word) units. An instruction consists of an operation field (op field), a register field (r field), an effective address extension (EA field), and a condition field (cc).

Figure 2.11 shows examples of instruction formats.

## (1) Operation Field

Indicates the function of the instruction, the addressing mode, and the operation to be carried out on the operand. The operation field always includes the first four bits of the instruction. Some instructions have two operation fields.

## (2) Register Field

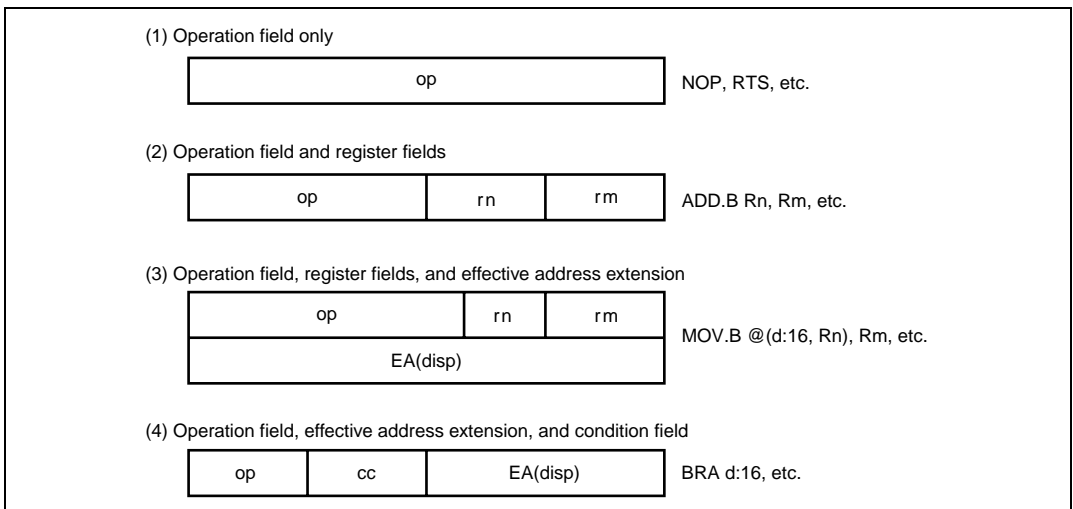
Specifies a general register. Address registers are specified by 3 bits, and data registers by 3 bits or 4 bits. Some instructions have two register fields. Some have no register field.

## (3) Effective Address Extension

8, 16, or 32 bits specifying immediate data, an absolute address, or a displacement.

## (4) Condition Field

Specifies the branching condition of Bcc instructions.



**Figure 2.11 Instruction Formats (Examples)**



## 2.7 Addressing Modes and Effective Address Calculation

The H8S/2000 CPU supports the eight addressing modes listed in table 2.11. Each instruction uses a subset of these addressing modes. Arithmetic and logic instructions can use the register direct and immediate modes. Data transfer instructions can use all addressing modes except program-counter relative and memory indirect. Bit manipulation instructions use register direct, register indirect, or the absolute addressing mode to specify an operand, and register direct (BSET, BCLR, BNOT, and BTST instructions) or immediate (3-bit) addressing mode to specify a bit number in the operand.

**Table 2.11 Addressing Modes**

No.	Addressing Mode	Symbol
1	Register direct	Rn
2	Register indirect	@ERn
3	Register indirect with displacement	@(d:16,ERn)/@(d:32,ERn)
4	Register indirect with post-increment Register indirect with pre-decrement	@ERn+ @-ERn
5	Absolute address	@aa:8/@aa:16/@aa:24/@aa:32
6	Immediate	#xx:8/#xx:16/#xx:32
7	Program-counter relative	@(d:8,PC)/@(d:16,PC)
8	Memory indirect	@@aa:8

### 2.7.1 Register Direct—Rn

The register field of the instruction specifies an 8-, 16-, or 32-bit general register containing the operand. R0H to R7H and R0L to R7L can be specified as 8-bit registers. R0 to R7 and E0 to E7 can be specified as 16-bit registers. ER0 to ER7 can be specified as 32-bit registers.

### 2.7.2 Register Indirect—@ERn

The register field of the instruction code specifies an address register (ERn) which contains the address of the operand on memory. If the address is a program instruction address, the lower 24 bits are valid and the upper 8 bits are all assumed to be 0 (H'00).

### 2.7.3 Register Indirect with Displacement—@(**d:16**, ERn) or @(**d:32**, ERn)

A 16-bit or 32-bit displacement contained in the instruction is added to an address register (ERn) specified by the register field of the instruction, and the sum gives the address of a memory operand. A 16-bit displacement is sign-extended when added.

### 2.7.4 Register Indirect with Post-Increment or Pre-Decrement—@ERn+ or @-ERn

**Register indirect with post-increment—@ERn+:** The register field of the instruction code specifies an address register (ERn) which contains the address of a memory operand. After the operand is accessed, 1, 2, or 4 is added to the address register contents and the sum is stored in the address register. The value added is 1 for byte access, 2 for word transfer instruction, or 4 for longword transfer instruction. For the word or longword transfer instructions, the register value should be even.

**Register indirect with pre-decrement—@-ERn:** The value 1, 2, or 4 is subtracted from an address register (ERn) specified by the register field in the instruction code, and the result is the address of a memory operand. The result is also stored in the address register. The value subtracted is 1 for byte access, 2 for word transfer instruction, or 4 for longword transfer instruction. For the word or longword transfer instructions, the register value should be even.

### 2.7.5 Absolute Address—@aa:8, @aa:16, @aa:24, or @aa:32

The instruction code contains the absolute address of a memory operand. The absolute address may be 8 bits long (@aa:8), 16 bits long (@aa:16), 24 bits long (@aa:24), or 32 bits long (@aa:32). Table 2.12 indicates the accessible absolute address ranges.

To access data, the absolute address should be 8 bits (@aa:8), 16 bits (@aa:16), or 32 bits (@aa:32) long. For an 8-bit absolute address, the upper 24 bits are all assumed to be 1 (H'FFFF). For a 16-bit absolute address the upper 16 bits are a sign extension. A 32-bit absolute address can access the entire address space.

A 24-bit absolute address (@aa:24) indicates the address of a program instruction. The upper 8 bits are all assumed to be 0 (H'00).

**Table 2.12 Absolute Address Access Ranges**

<b>Absolute Address</b>		<b>Normal Mode*</b>	<b>Advanced Mode</b>
Data address	8 bits (@aa:8)	H'FF00 to H'FFFF	H'FFFF00 to H'FFFFFF
	16 bits (@aa:16)	H'0000 to H'FFFF	H'000000 to H'007FFF, H'FF8000 to H'FFFFFF
	32 bits (@aa:32)		H'000000 to H'FFFFFF
Program instruction address	24 bits (@aa:24)		

Note: \* Normal mode is not available in this LSI.

### 2.7.6 Immediate—#xx:8, #xx:16, or #xx:32

The instruction contains 8-bit (#xx:8), 16-bit (#xx:16), or 32-bit (#xx:32) immediate data as an operand.

The ADDS, SUBS, INC, and DEC instructions contain immediate data implicitly. Some bit manipulation instructions contain 3-bit immediate data in the instruction code, specifying a bit number. The TRAPA instruction contains 2-bit immediate data in its instruction code, specifying a vector address.

### 2.7.7 Program-Counter Relative—@(d:8, PC) or @(d:16, PC)

This mode is used in the Bcc and BSR instructions. An 8-bit or 16-bit displacement contained in the instruction is sign-extended and added to the 24-bit PC contents to generate a branch address. Only the lower 24 bits of this branch address are valid; the upper 8 bits are all assumed to be 0 (H'00). The PC value to which the displacement is added is the address of the first byte of the next instruction, so the possible branching range is -126 to +128 bytes (-63 to +64 words) or -32766 to +32768 bytes (-16383 to +16384 words) from the branch instruction. The resulting value should be an even number.

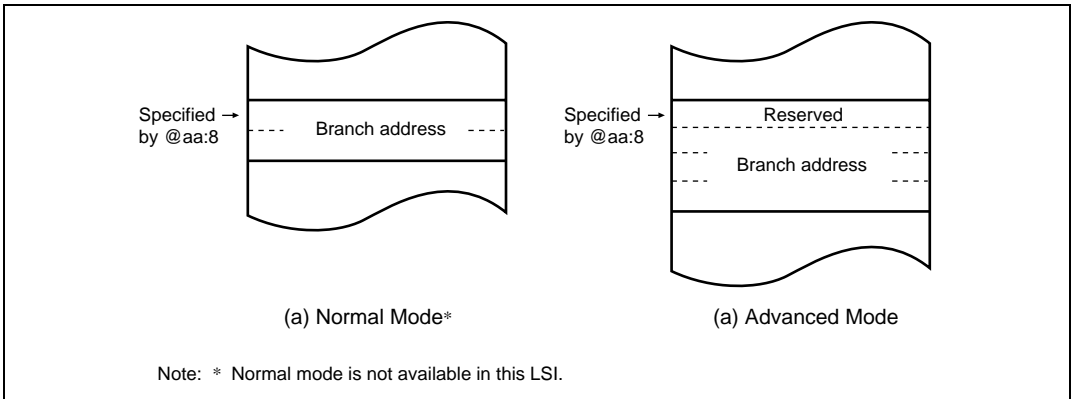
### 2.7.8 Memory Indirect—@@aa:8

This mode can be used by the JMP and JSR instructions. The instruction code contains an 8-bit absolute address specifying a memory operand. This memory operand contains a branch address. The upper bits of the absolute address are all assumed to be 0, so the address range is 0 to 255 (H'0000 to H'00FF in normal mode, H'000000 to H'0000FF in advanced mode). In normal mode, the memory operand is a word operand and the branch address is 16 bits long. In advanced mode, the memory operand is a longword operand, the first byte of which is assumed to be 0 (H'00).

Note that the first part of the address range is also the exception vector area. For further details, see section 4, Exception Handling.

If an odd address is specified in word or longword memory access, or as a branch address, the least significant bit is regarded as 0, causing data to be accessed or instruction code to be fetched at the address preceding the specified address. (For further information, see section 2.5.2, Memory Data Formats.)

Note: Normal mode is not available in this LSI.



**Figure 2.12 Branch Address Specification in Memory Indirect Mode**

### 2.7.9 Effective Address Calculation

Table 2.13 indicates how effective addresses are calculated in each addressing mode. In normal mode the upper 8 bits of the effective address are ignored in order to generate a 16-bit address.

Note: Normal mode is not available in this LSI.

Table 2.13 Effective Address Calculation (1)

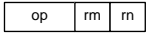

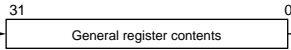
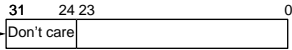
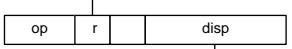
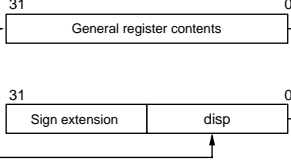
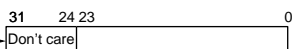


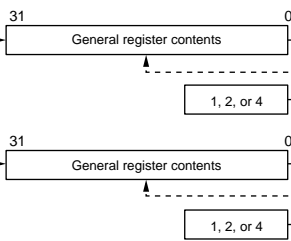
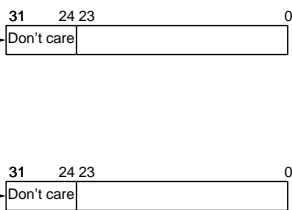
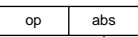
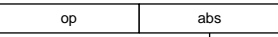
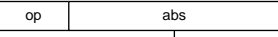
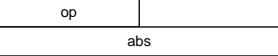
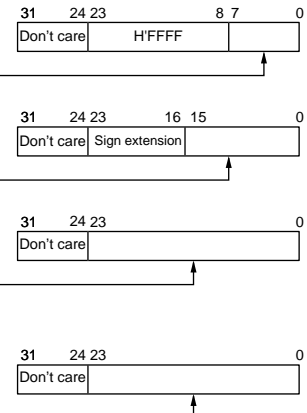

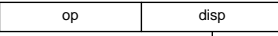
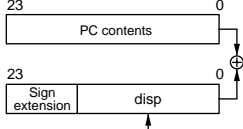
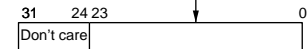
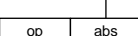
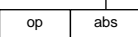
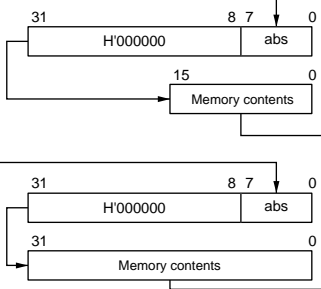
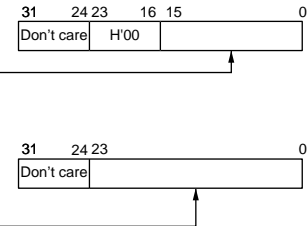
No	Addressing Mode and Instruction Format	Effective Address Calculation	Effective Address (EA)								
1	Register direct (Rn) 		Operand is general register contents.								
2	Register indirect (@ERn) 										
3	Register indirect with displacement @d:(d:16,ERn) or @(d:32,ERn) 										
4	Register indirect with post-increment or pre-decrement <ul style="list-style-type: none"> <li>Register indirect with post-increment @ERn+</li> <li>Register indirect with pre-decrement @-ERn</li> </ul>  	 <table border="1" data-bbox="475 821 716 901"> <thead> <tr> <th>Operand Size</th> <th>Offset</th> </tr> </thead> <tbody> <tr> <td>Byte</td> <td>1</td> </tr> <tr> <td>Word</td> <td>2</td> </tr> <tr> <td>Longword</td> <td>4</td> </tr> </tbody> </table>	Operand Size	Offset	Byte	1	Word	2	Longword	4	
Operand Size	Offset										
Byte	1										
Word	2										
Longword	4										

Table 2.13 Effective Address Calculation (2)

No	Addressing Mode and Instruction Format	Effective Address Calculation	Effective Address (EA)
5	Absolute address @aa:8  @aa:16  @aa:24  @aa:32 		
6	Immediate #xx:8/#xx:16/#xx:32 		Operand is immediate data.
7	Program-counter relative @(d:8,PC)/@(d:16,PC) 		
8	Memory indirect @@aa:8 • Normal mode*  • Advanced mode 		

Note: \* Normal mode is not available in this LSI.

## 2.8 Processing States

The H8S/2000 CPU has five main processing states: the reset state, exception handling state, program execution state, bus-released state, and power-down state. Figure 2.13 indicates the state transitions.

- Reset State

In this state, the CPU and all on-chip peripheral modules are initialized and not operating. When the  $\overline{\text{RES}}$  input goes low, all current processing stops and the CPU enters the reset state. All interrupts are masked in the reset state. Reset exception handling starts when the  $\overline{\text{RES}}$  signal changes from low to high. For details, see section 4, Exception Handling.

The reset state can also be entered by a watchdog timer overflow.

- Exception-Handling State

The exception-handling state is a transient state that occurs when the CPU alters the normal processing flow due to an exception source, such as a reset, trace, interrupt, or trap instruction. The CPU fetches a start address (vector) from the exception vector table and branches to that address. For further details, see section 4, Exception Handling.

- Program Execution State

In this state, the CPU executes program instructions in sequence.

- Bus-Released State

The bus-released state occurs when the bus has been released in response to a bus request from a bus master other than the CPU.

While the bus is released, the CPU halts operations.

- Program stop state

This is a power-down state in which the CPU stops operating. The program stop state occurs when a SLEEP instruction is executed or the CPU enters hardware standby mode. For further details, see section 20, Power-Down Modes.

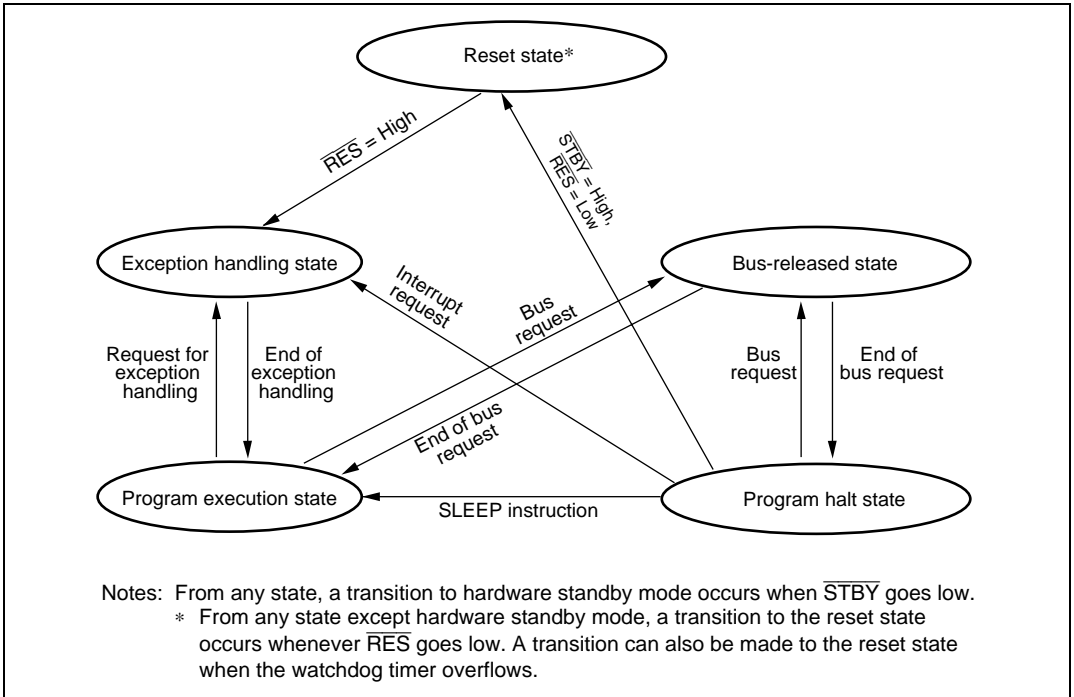


Figure 2.13 State Transitions

## 2.9 Usage Note

### 2.9.1 Note on Bit Manipulation Instructions

Bit manipulation instructions such as BSET, BCLR, BNOT, BST, and BIST read data in byte units, perform bit manipulation, and write data in byte units. Thus, care must be taken when these bit manipulation instructions are executed for a register or port including write-only bits.

In addition, the BCLR instruction can be used to clear the flag of an internal I/O register. In this case, if the flag to be cleared has been set by an interrupt processing routine, the flag need not be read before executing the BCLR instruction.



## Section 3 MCU Operating Modes

### 3.1 Operating Mode Selection

This LSI supports only operating mode 7, that is, the advanced single-chip mode. The operating mode is determined by the setting of the mode pins (MD2 and MD0). Only mode 7 can be used in this LSI. Therefore, all mode pins must be fixed high, as shown in table 3.1. Do not change the mode pin settings during operation.

**Table 3.1 MCU Operating Mode Selection**

MCU Operating Mode	MD2	MD0	CPU Operating Mode	Description	On-Chip ROM	External Data Bus	
						Initial Width	Max. Width
7	1	1	Advanced mode	Single-chip mode	Enabled	—	—

### 3.2 Register Descriptions

The following registers are related to the operating mode.

- Mode control register (MDCR)
- System control register (SYSCR)

### 3.2.1 Mode Control Register (MDCR)

Bit	Bit Name	Initial Value	R/W	Descriptions
7	—	1	R/W	Reserved Only 1 should be written to this bit.
6 to 3	—	All 0	—	Reserved These bits are always read as 0 and cannot be modified.
2	MDS2	—	R	This bit indicates the input level at pin MD2 (the current operating mode). This bit corresponds to MD2. MDS2 is read-only bit and this cannot be written to. The MD2 input level is latched into this bit when MDCR is read. This latch is canceled by a reset.
1	—	1	R	Reserved This bit is always read as 1 and cannot be modified.
0	MDS0	—	R	This bit indicates the input level at pin MD0 (the current operating mode). This bit corresponds to MD0. MDS0 is read-only bit and this cannot be written to. The MD0 input level is latched into this bit when MDCR is read. This latch is canceled by a reset.

### 3.2.2 System Control Register (SYSCR)

SYSCR selects the interrupt control mode and the detected edge for NMI, and enables or disables on-chip RAM.

Bit	Bit Name	Initial Value	R/W	Descriptions
7	—	0	R/W	Reserved Only 0 should be written to this bit.
6	—	0	—	Reserved This bit is always read as 0 and cannot be modified.

Bit	Bit Name	Initial Value	R/W	Descriptions	
5	INTM1	0	R/W	These bits select the control mode of the interrupt controller. For details of the interrupt control modes, see section 5.6, Interrupt Control Modes and Interrupt Operation.  00: Interrupt control mode 0 01: Setting prohibited 10: Interrupt control mode 2 11: Setting prohibited	
4	INTM0	0	R/W		
3	NMIEG	0	R/W		NMI Edge Select  Selects the valid edge of the NMI interrupt input.  0: An interrupt is requested at the falling edge of NMI input  1: An interrupt is requested at the rising edge of NMI input
2, 1	—	All 0	—		Reserved  These bits are always read as 0 and cannot be modified.
0	RAME	1	R/W	RAM Enable  Enables or disables on-chip RAM. This bit is initialized when the reset status is released.  0: On-chip RAM is disabled 1: On-chip RAM is enabled	

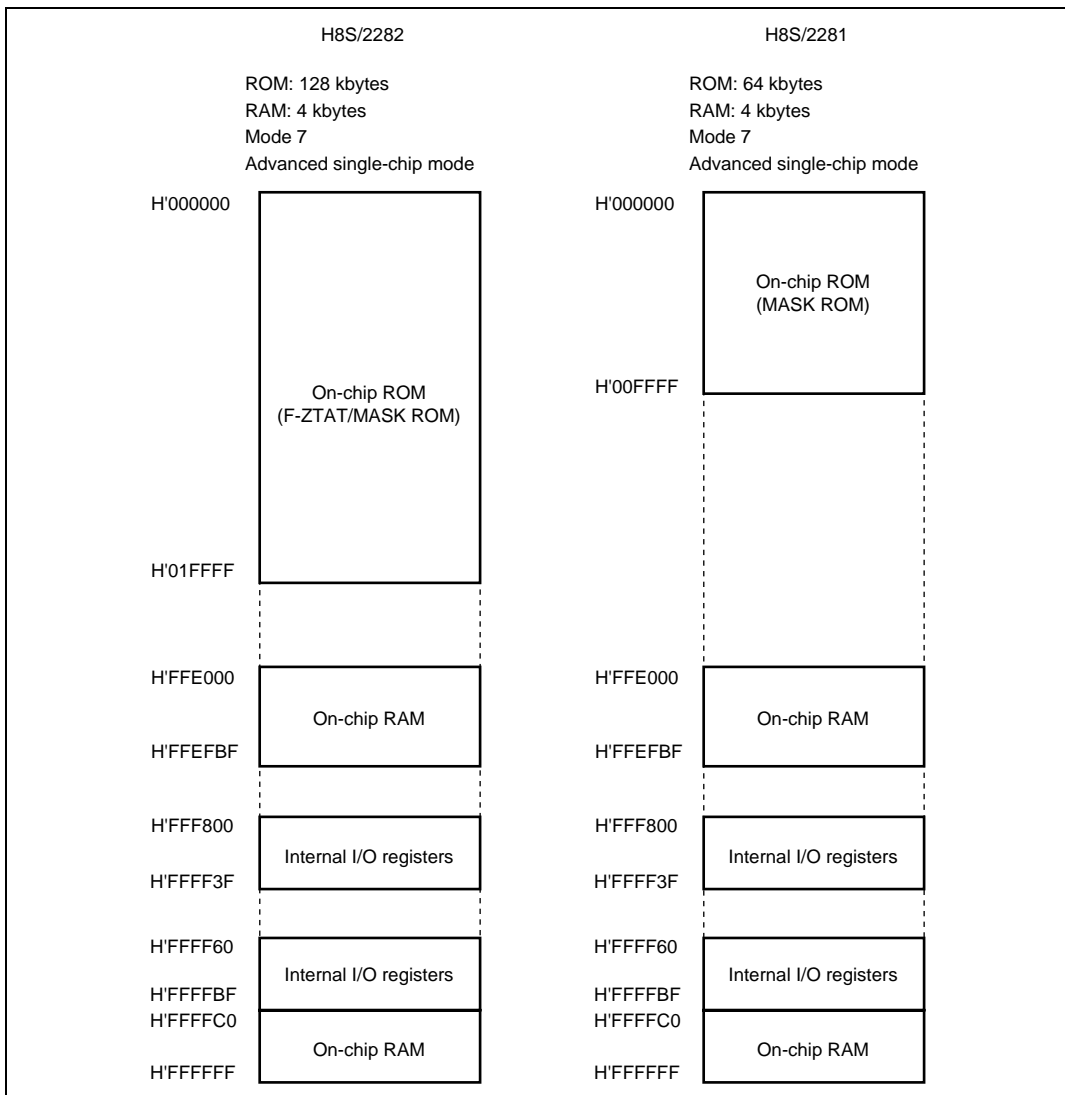
### 3.3 Pin Functions in Each Operating Mode

The CPU can access a 16-Mbyte address space in advanced mode. The on-chip ROM is enabled, however external addresses cannot be accessed.

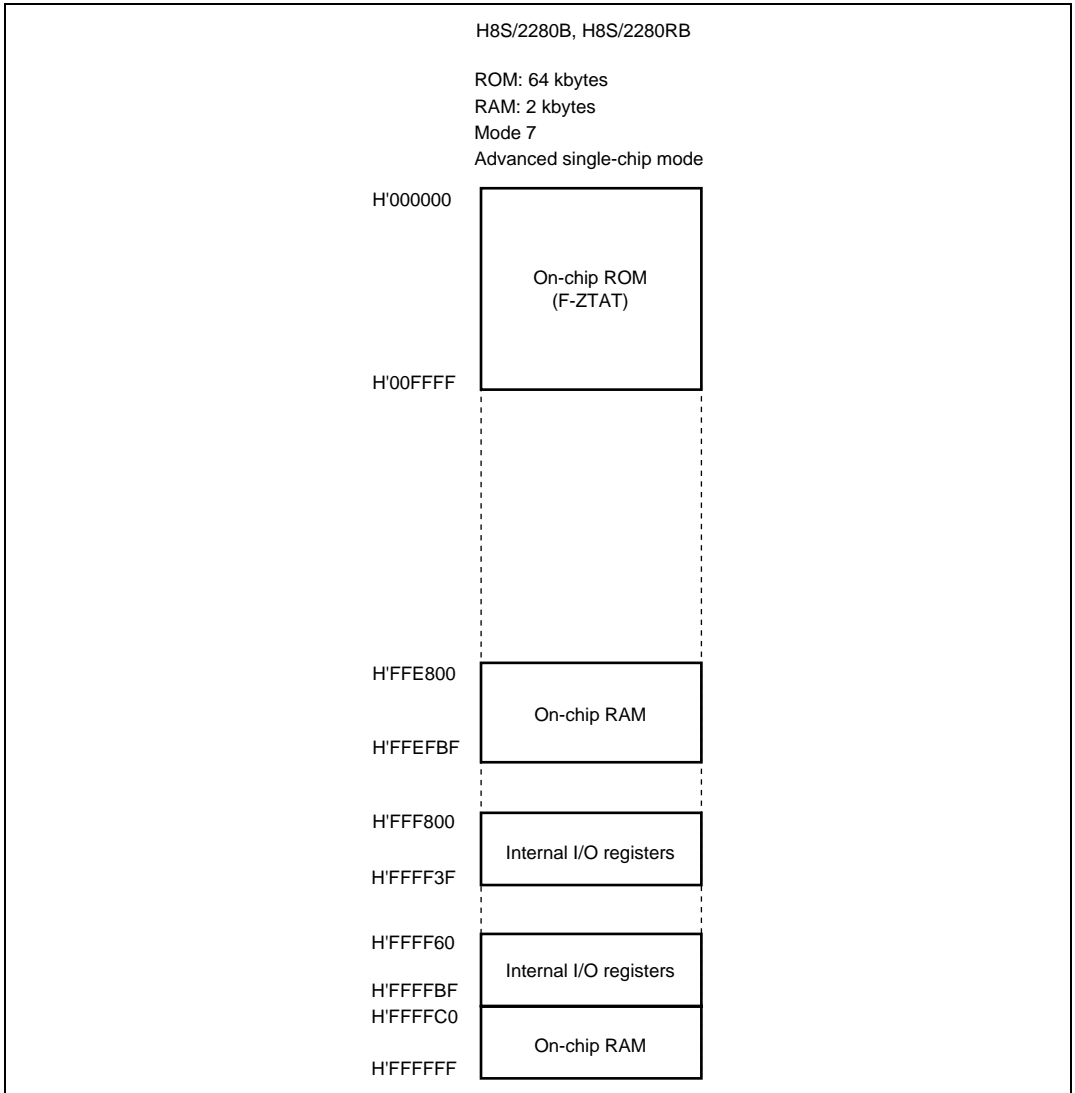
All I/O ports are available for use as input-output ports.

### 3.4 Address Map

Figures 3.1 and 3.2 show the address map in each operating mode.



**Figure 3.1 Address Map**



**Figure 3.2 Address Map**



## Section 4 Exception Handling

### 4.1 Exception Handling Types and Priority

As table 4.1 indicates, exception handling may be caused by a reset, trace, trap instruction, or interrupt. Exception handling is prioritized as shown in table 4.1. If two or more exceptions occur simultaneously, they are accepted and processed in order of priority. Exception sources, the stack structure, and operation of the CPU vary depending on the interrupt control mode. For details on the interrupt control mode, see section 5, Interrupt Controller.

**Table 4.1 Exception Types and Priority**

Priority	Exception Type	Start of Exception Handling
High ↑	Reset	Starts immediately after a low-to-high transition at the $\overline{\text{RES}}$ pin, or when the watchdog timer overflows. The CPU enters the reset state when the $\overline{\text{RES}}$ pin is low.
	Trace <sup>*1</sup>	Starts when execution of the current instruction or exception handling ends, if the trace (T) bit in the EXR is set to 1
	Direct transition	Starts when a direction transition occurs as the result of SLEEP instruction execution.
	Interrupt	Starts when execution of the current instruction or exception handling ends, if an interrupt request has been issued <sup>*2</sup>
Low	Trap instruction <sup>*3</sup>	Started by execution of a trap instruction (TRAPA)

- Notes: 1. Traces are enabled only in interrupt control mode 2. Trace exception handling is not executed after execution of an RTE instruction.
2. Interrupt detection is not performed on completion of ANDC, ORC, XORC, or LDC instruction execution, or on completion of reset exception handling.
3. Trap instruction exception handling requests are accepted at all times in program execution state.

### 4.2 Exception Sources and Exception Vector Table

Different vector addresses are assigned to different exception sources. Table 4.2 lists the exception sources and their vector addresses. Since the usable modes differ depending on the product, for details on each product, see section 3, MCU Operating Modes.

Table 4.2 Exception Handling Vector Table

Exception Source	Vector Number	Vector Address <sup>*1</sup>		
		Normal Mode <sup>*2</sup>	Advanced Mode	
Power-on reset	0	H'0000 to H'0001	H'0000 to H'0003	
Manual reset <sup>*2</sup>	1	H'0002 to H'0003	H'0004 to H'0007	
Reserved for system use	2	H'0004 to H'0005	H'0008 to H'000B	
	3	H'0006 to H'0007	H'000C to H'000F	
	4	H'0008 to H'0019	H'0010 to H'0013	
Trace	5	H'000A to H'000B	H'0014 to H'0017	
Interrupt (direct transitions) <sup>*3</sup>	6	H'000C to H'000D	H'0018 to H'001B	
Interrupt (NMI)	7	H'000E to H'000F	H'001C to H'001F	
Trap instruction (#0)	8	H'0010 to H'0011	H'0020 to H'0023	
	(#1)	9	H'0012 to H'0013	H'0024 to H'0027
	(#2)	10	H'0014 to H'0015	H'0028 to H'002B
	(#3)	11	H'0016 to H'0017	H'002C to H'002F
Reserved for system use	12	H'0018 to H'0019	H'0030 to H'0033	
	13	H'001A to H'001B	H'0034 to H'0037	
	14	H'001C to H'001D	H'0038 to H'003B	
	15	H'001E to H'001F	H'003C to H'003F	
External interrupt	IRQ0	16	H'0020 to H'0021	H'0040 to H'0043
	IRQ1	17	H'0022 to H'0023	H'0044 to H'0047
	IRQ2	18	H'0024 to H'0025	H'0048 to H'004B
	IRQ3	19	H'0026 to H'0027	H'004C to H'004F
	IRQ4	20	H'0028 to H'0029	H'0050 to H'0053
	IRQ5	21	H'002A to H'002B	H'0054 to H'0057
Reserved for system use	22	H'002C to H'002D	H'0058 to H'005B	
	23	H'002E to H'002F	H'005C to H'005F	
Internal interrupt <sup>*3,4</sup>	24	H'0030 to H'0031	H'0060 to H'0063	
	127	H'00FE to H'00FF	H'01FC to H'01FF	

Notes: 1. Lower 16 bits of the address.

2. Not available in this LSI.

3. For details on direct transitions, see section 20.10, Direct Transitions.

4. For details of internal interrupt vectors, see section 5.5, Interrupt Exception Handling Vector Table.



## 4.3 Reset

A reset has the highest exception priority.

When the  $\overline{\text{RES}}$  pin goes low, all processing halts and this LSI enters the reset. To ensure that this LSI is reset, hold the  $\overline{\text{RES}}$  pin low for at least 20 ms at power-up. To reset the chip during operation, hold the  $\overline{\text{RES}}$  pin low for at least 20 states. A reset initializes the internal state of the CPU and the registers of on-chip peripheral modules.

The chip can also be reset by overflow of the watchdog timer. For details see section 9, Watchdog Timer.

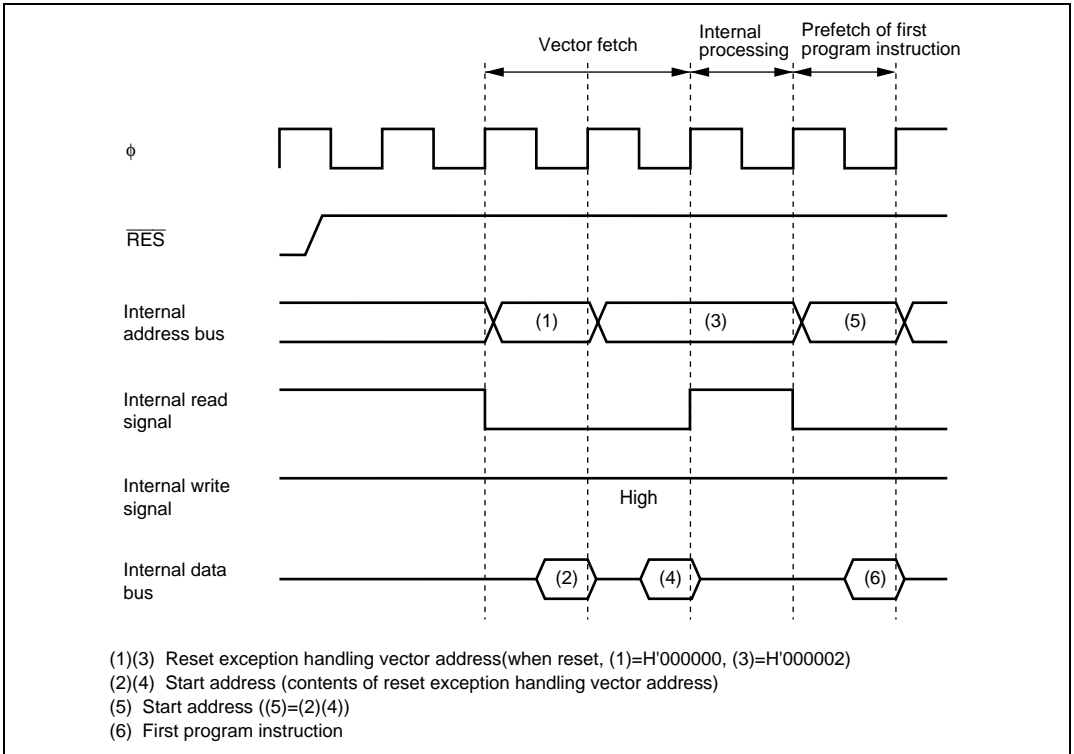
The interrupt control mode is 0 immediately after reset.

### 4.3.1 Reset Exception Handling

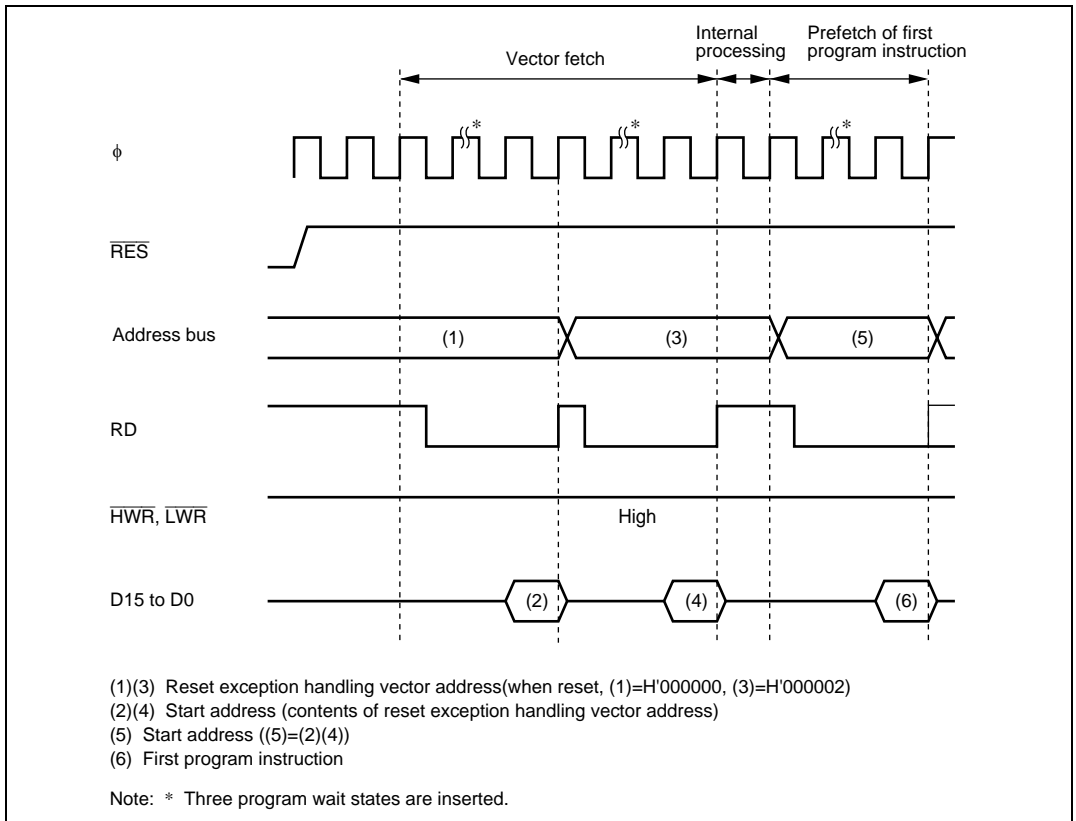
When the  $\overline{\text{RES}}$  pin goes high after being held low for the necessary time, this LSI starts reset exception handling as follows:

1. The internal state of the CPU and the registers of the on-chip peripheral modules are initialized, the T bit is cleared to 0 in EXR, and the I bit is set to 1 in EXR and CCR.
2. The reset exception handling vector address is read and transferred to the PC, and program execution starts from the address indicated by the PC.

Figure 4.1 and figure 4.2 show examples of the reset sequence.



**Figure 4.1 Reset Sequence (Advanced Mode with On-chip ROM Enabled)**



**Figure 4.2 Reset Sequence (Advanced Mode with On-chip ROM Disabled: Cannot be Used in this LSI)**

### 4.3.2 Interrupts after Reset

If an interrupt is accepted after a reset and before the stack pointer (SP) is initialized, the PC and CCR will not be saved correctly, leading to a program crash. To prevent this, all interrupt requests, including NMI, are disabled immediately after a reset. Since the first instruction of a program is always executed immediately after the reset state ends, make sure that this instruction initializes the stack pointer (example: `MOV.L #xx: 32, SP`).

### 4.3.3 State of On-Chip Peripheral Modules after Reset Release

After reset release, MSTPCRA to MSTPCRD\*<sup>1</sup> are initialized to H'3F, H'FF, H'FF, and B'11\*\*\*\*\* respectively, and all modules enter module stop mode. Consequently, on-chip peripheral module registers cannot be read or written to. Register reading and writing is enabled when the module stop mode is exited.

Note: 1. The initial values of bits 5 to 0 in MSTPCRD are undefined.

## 4.4 Traces

Traces are enabled in interrupt control mode 2. Trace mode is not activated in interrupt control mode 0, irrespective of the state of the T bit. For details of interrupt control modes, see section 5, Interrupt Controller.

If the T bit in EXR is set to 1, trace mode is activated. In trace mode, a trace exception occurs on completion of each instruction. Trace mode is not affected by interrupt masking. Table 4.3 shows the state of CCR and EXR after execution of trace exception handling. Trace mode is canceled by clearing the T bit in EXR to 0. The T bit saved on the stack retains its value of 1, and when control is returned from the trace exception handling routine by the RTE instruction, trace mode resumes. Trace exception handling is not carried out after execution of the RTE instruction.

Interrupts are accepted even within the trace exception handling routine.

**Table 4.3 Status of CCR and EXR after Trace Exception Handling**

Interrupt Control Mode	CCR		EXR	
	I	UI	I2 to I0	T
0	Trace exception handling cannot be used.			
2	1	—	—	0

Legend:

- 1: Set to 1
- 0: Cleared to 0
- : Retains value prior to execution

## 4.5 Interrupts

Interrupts are controlled by the interrupt controller. The interrupt controller has two interrupt control modes and can assign interrupts other than NMI to eight priority/mask levels to enable multiplexed interrupt control. The source to start interrupt exception handling and the vector address differ depending on the product. For details, see section 5, Interrupt Controller.

Interrupt exception handling is conducted as follows:

1. The values in the program counter (PC), condition code register (CCR), and extended control register (EXR) are saved to the stack.
2. The interrupt mask bit is updated and the T bit is cleared to 0.
3. A vector address corresponding to the interrupt source is generated, the start address is loaded from the vector table to the PC, and program execution begins from that address.

## 4.6 Trap Instruction

Trap instruction exception handling starts when a TRAPA instruction is executed. Trap instruction exception handling can be executed at all times in the program execution state.

Trap instruction exception handling is conducted as follows:

1. The values in the program counter (PC), condition code register (CCR), and extended control register (EXR) are saved to the stack.
2. The interrupt mask bit is updated and the T bit is cleared.
3. A vector address corresponding to the interrupt source is generated, the start address is loaded from the vector table to the PC, and program execution starts from that address.

The TRAPA instruction fetches a start address from a vector table entry corresponding to a vector number from 0 to 3, as specified in the instruction code.

Table 4.4 shows the status of CCR and EXR after execution of trap instruction exception handling.

**Table 4.4 Status of CCR and EXR after Trap Instruction Exception Handling**

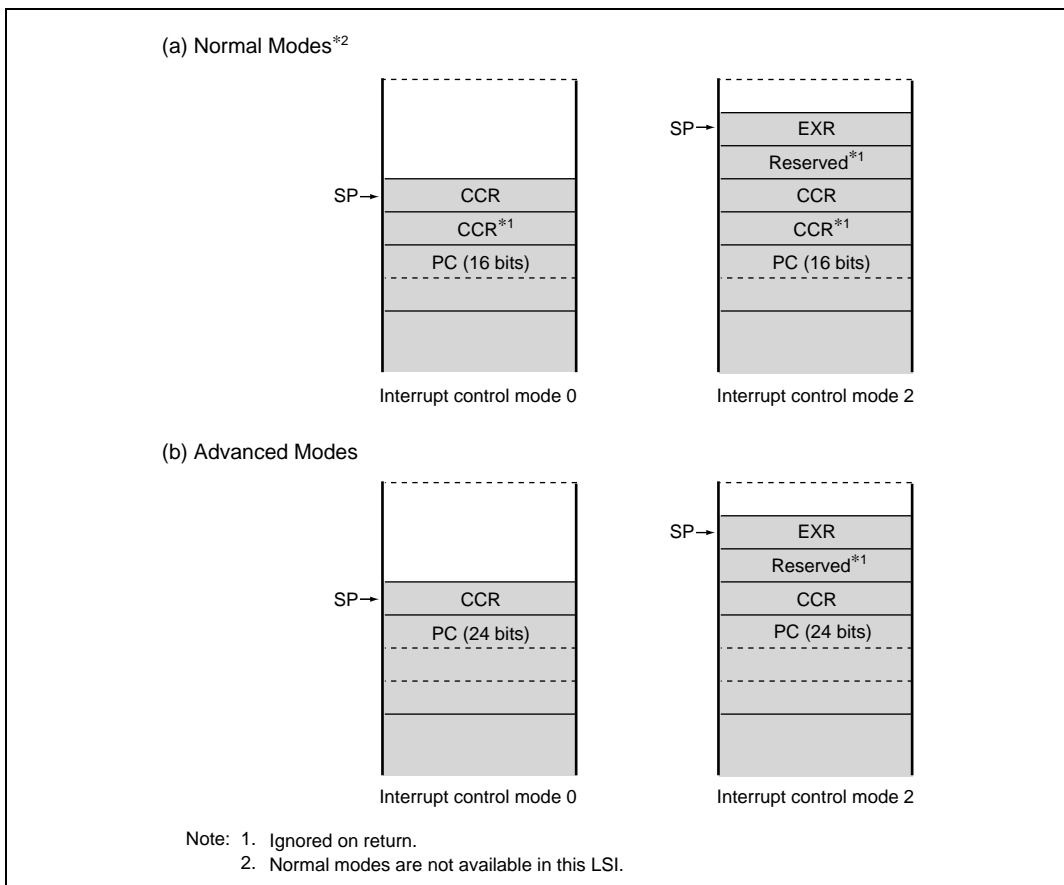
Interrupt Control Mode	CCR		EXR	
	I	UI	I2 to I0	T
0	1	—	—	—
2	1	—	—	0

Legend:

- 1: Set to 1
- 0: Cleared to 0
- : Retains value prior to execution

## 4.7 Stack Status after Exception Handling

Figure 4.3 shows the stack after completion of trap instruction exception handling and interrupt exception handling.



**Figure 4.3 Stack Status after Exception Handling**

## 4.8 Usage Note

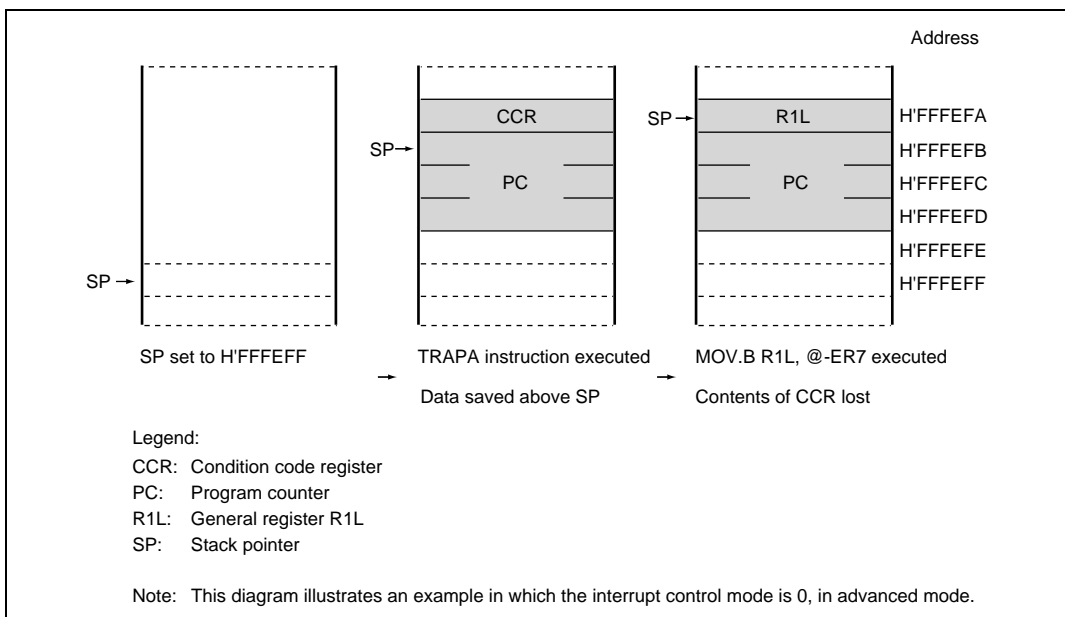
When accessing word data or longword data, this LSI assumes that the lowest address bit is 0. The stack should always be accessed by word transfer instruction or longword transfer instruction, and the value of the stack pointer (SP, ER7) should always be kept even. Use the following instructions to save registers:

```
PUSH.W   Rn    (or MOV.W Rn, @-SP)
PUSH.L   ERn   (or MOV.L ERn, @-SP)
```

Use the following instructions to restore registers:

```
POP.W    Rn    (or MOV.W @SP+, Rn)
POP.L    ERn   (or MOV.L @SP+, ERn)
```

Setting SP to an odd value may lead to a malfunction. Figure 4.4 shows an example of what happens when the SP value is odd.



**Figure 4.4 Operation when SP Value Is Odd**

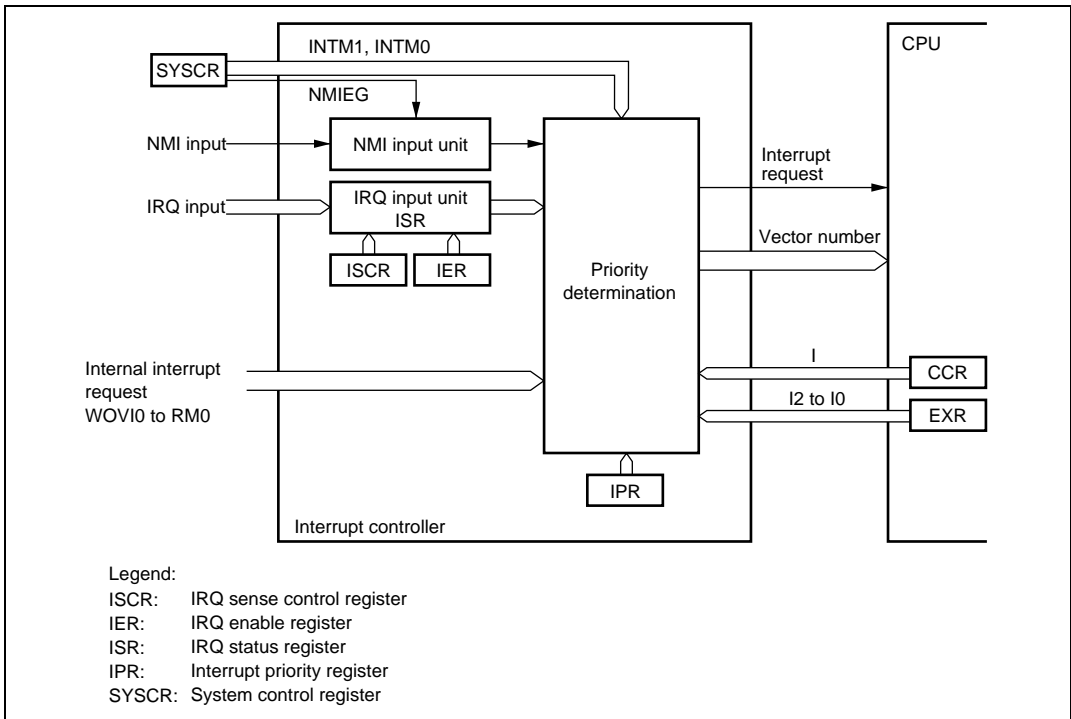


## Section 5 Interrupt Controller

### 5.1 Features

- Two interrupt control modes
  - Any of two interrupt control modes can be set by means of the INTM1 and INTM0 bits in the system control register (SYSCR).
- Priorities settable with IPR
  - An interrupt priority register (IPR) is provided for setting interrupt priorities. Eight priority levels can be set for each module for all interrupts except NMI. NMI is assigned the highest priority level of 8, and can be accepted at all times.
- Independent vector addresses
  - All interrupt sources are assigned independent vector addresses, making it unnecessary for the source to be identified in the interrupt handling routine.
- Seven external interrupts
  - NMI is the highest-priority interrupt, and is accepted at all times. Rising edge or falling edge can be selected for NMI. Falling edge, rising edge, or both edge detection, or level sensing, can be selected for IRQ5 to IRQ0.

A block diagram of the interrupt controller is shown in figure 5.1.



**Figure 5.1 Block Diagram of Interrupt Controller**

## 5.2 Input/Output Pins

Table 5.1 summarizes the pins of the interrupt controller.

**Table 5.1 Pin Configuration**

Name	I/O	Function
NMI	Input	Nonmaskable external interrupt Rising or falling edge can be selected
$\overline{\text{IRQ5}}$	Input	Maskable external interrupts
$\overline{\text{IRQ4}}$	Input	Rising, falling, or both edges, or level sensing, can be selected
$\overline{\text{IRQ3}}$	Input	
$\overline{\text{IRQ2}}$	Input	
$\overline{\text{IRQ1}}$	Input	
$\overline{\text{IRQ0}}$	Input	

## 5.3 Register Descriptions

The interrupt controller has the following registers. For details system control register (SYSCR), see section 3.2.2, System Control Register(SYSCR).

- System control register (SYSCR)
- IRQ sense control register H (ISCRH)
- IRQ sense control register L (ISCR L)
- IRQ enable register (IER)
- IRQ status register (ISR)
- Interrupt priority register A (IPRA)
- Interrupt priority register B (IPRB)
- Interrupt priority register C (IPRC)
- Interrupt priority register D (IPRD)
- Interrupt priority register E (IPRE)
- Interrupt priority register F (IPRF)
- Interrupt priority register G (IPRG)
- Interrupt priority register J (IPRJ)
- Interrupt priority register K (IPRK)
- Interrupt priority register M (IPRM)

### 5.3.1 Interrupt Priority Registers A to G, J, K, M (IPRA to IPRG, IPRJ, IPRK, IPRM)

The IPR registers set priorities (levels 7 to 0) for interrupts other than NMI. There are ten IPR registers. The correspondence between interrupt sources and IPR settings is shown in table 5.2. Setting a value in the range from H'0 to H'7 in the 3-bit groups of bits 0 to 2 and 4 to 6 sets the priority of the corresponding interrupt.

Bit	Bit Name	Initial Value	R/W	Description
7	—	0	—	Reserved These bits are always read as 0.
6	IPR6	1	R/W	Sets the priority of the corresponding interrupt source.
5	IPR5	1	R/W	000: Priority level 0 (Lowest)
4	IPR4	1	R/W	001: Priority level 1 010: Priority level 2 011: Priority level 3 100: Priority level 4 101: Priority level 5 110: Priority level 6 111: Priority level 7 (Highest)
3	—	0	—	Reserved This bit is always read as 0.
2	IPR2	1	R/W	Sets the priority of the corresponding interrupt source.
1	IPR1	1	R/W	000: Priority level 0 (Lowest)
0	IPR0	1	R/W	001: Priority level 1 010: Priority level 2 011: Priority level 3 100: Priority level 4 101: Priority level 5 110: Priority level 6 111: Priority level 7 (Highest)

### 5.3.2 IRQ Enable Register (IER)

IER controls the enabling and disabling of interrupt requests IRQ5 to IRQ0.

Bit	Bit Name	Initial Value	R/W	Description
7, 6	—	All 0	R/W	Reserved Only 0 should be written to these bits.
5	IRQ5E	0	R/W	IRQ5 Enable The IRQ5 interrupt request is enabled when this bit is 1.
4	IRQ4E	0	R/W	IRQ4 Enable The IRQ4 interrupt request is enabled when this bit is 1.
3	IRQ3E	0	R/W	IRQ3 Enable The IRQ3 interrupt request is enabled when this bit is 1.
2	IRQ2E	0	R/W	IRQ2 Enable The IRQ2 interrupt request is enabled when this bit is 1.
1	IRQ1E	0	R/W	IRQ1 Enable The IRQ1 interrupt request is enabled when this bit is 1.
0	IRQ0E	0	R/W	IRQ0 Enable The IRQ0 interrupt request is enabled when this bit is 1.

### 5.3.3 IRQ Sense Control Registers H and L (ISCRH, ISCLR)

The ISCR registers select the source that generates an interrupt request at pins  $\overline{\text{IRQ5}}$  to  $\overline{\text{IRQ0}}$ .

Bit	Bit Name	Initial Value	R/W	Description
15 to 12	—	All 0	R/W	Reserved Only 0 should be written to these bits.
11	IRQ5SCB	0	R/W	IRQ5 Sense Control B
10	IRQ5SCA	0	R/W	IRQ5 Sense Control A 00: Interrupt request generated at $\overline{\text{IRQ5}}$ input level low 01: Interrupt request generated at falling edge of $\overline{\text{IRQ5}}$ input 10: Interrupt request generated at rising edge of $\overline{\text{IRQ5}}$ input 11: Interrupt request generated at both falling and rising edges of $\overline{\text{IRQ5}}$ input
9	IRQ4SCB	0	R/W	IRQ4 Sense Control B
8	IRQ4SCA	0	R/W	IRQ4 Sense Control A 00: Interrupt request generated at $\overline{\text{IRQ4}}$ input level low 01: Interrupt request generated at falling edge of $\overline{\text{IRQ4}}$ input 10: Interrupt request generated at rising edge of $\overline{\text{IRQ4}}$ input 11: Interrupt request generated at both falling and rising edges of $\overline{\text{IRQ4}}$ input
7	IRQ3SCB	0	R/W	IRQ3 Sense Control B
6	IRQ3SCA	0	R/W	IRQ3 Sense Control A 00: Interrupt request generated at $\overline{\text{IRQ3}}$ input level low 01: Interrupt request generated at falling edge of $\overline{\text{IRQ3}}$ input 10: Interrupt request generated at rising edge of $\overline{\text{IRQ3}}$ input 11: Interrupt request generated at both falling and rising edges of $\overline{\text{IRQ3}}$ input

Bit	Bit Name	Initial Value	R/W	Description
5	IRQ2SCB	0	R/W	IRQ2 Sense Control B
4	IRQ2SCA	0	R/W	IRQ2 Sense Control A 00: Interrupt request generated at $\overline{\text{IRQ2}}$ input level low 01: Interrupt request generated at falling edge of $\overline{\text{IRQ2}}$ input 10: Interrupt request generated at rising edge of $\overline{\text{IRQ2}}$ input 11: Interrupt request generated at both falling and rising edges of $\overline{\text{IRQ2}}$ input
3	IRQ1SCB	0	R/W	IRQ1 Sense Control B
2	IRQ1SCA	0	R/W	IRQ1 Sense Control A 00: Interrupt request generated at $\overline{\text{IRQ1}}$ input level low 01: Interrupt request generated at falling edge of $\overline{\text{IRQ1}}$ input 10: Interrupt request generated at rising edge of $\overline{\text{IRQ1}}$ input 11: Interrupt request generated at both falling and rising edges of $\overline{\text{IRQ1}}$ input
1	IRQ0SCB	0	R/W	IRQ0 Sense Control B
0	IRQ0SCA	0	R/W	IRQ0 Sense Control A 00: Interrupt request generated at $\overline{\text{IRQ0}}$ input level low 01: Interrupt request generated at falling edge of $\overline{\text{IRQ0}}$ input 10: Interrupt request generated at rising edge of $\overline{\text{IRQ0}}$ input 11: Interrupt request generated at both falling and rising edges of $\overline{\text{IRQ0}}$ input

### 5.3.4 IRQ Status Register (ISR)

ISR indicates the status of IRQ5 to IRQ0 interrupt requests.

Bit	Bit Name	Initial Value	R/W	Description
7, 6	—	All 0	R/W	Reserved Only 0 should be written to these bits.
5	IRQ5F	0	R/W	[Setting condition]
4	IRQ4F	0	R/W	When the interrupt source selected by the ISCR registers occurs
3	IRQ3F	0	R/W	[Clearing conditions]
2	IRQ2F	0	R/W	
1	IRQ1F	0	R/W	<ul style="list-style-type: none"> <li>• Cleared by reading IRQnF flag when IRQnF = 1, then writing 0 to IRQnF flag</li> </ul>
0	IRQ0F	0	R/W	<ul style="list-style-type: none"> <li>• When interrupt exception handling is executed when low-level detection is set and <math>\overline{\text{IRQn}}</math> input is high</li> <li>• When IRQn interrupt exception handling is executed when falling, rising, or both-edge detection is set</li> </ul>

(n = 5 to 0)



## 5.4 Interrupt Sources

### 5.4.1 External Interrupts

There are seven external interrupts: NMI and IRQ5 to IRQ0. These interrupts can be used to restore this LSI from software standby mode.

#### NMI Interrupt

NMI is the highest-priority interrupt, and is always accepted by the CPU regardless of the interrupt control mode or the status of the CPU interrupt mask bits. The NMIEG bit in SYSCR can be used to select whether an interrupt is requested at a rising edge or a falling edge on the NMI pin.

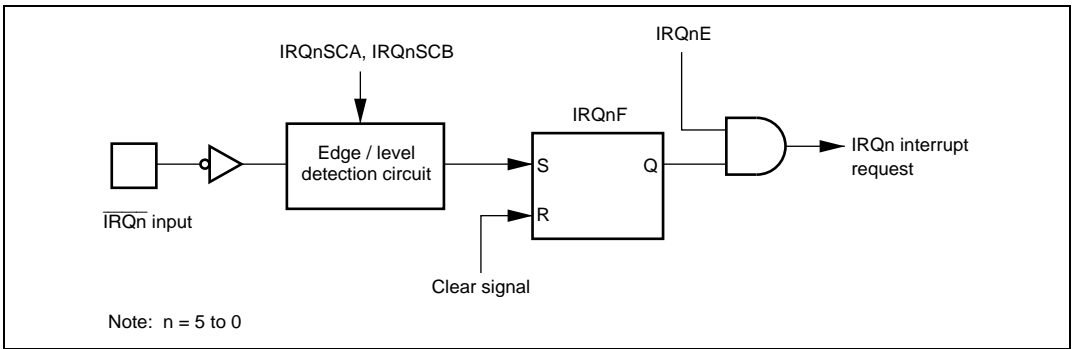
#### IRQ5 to IRQ0 Interrupts

Interrupts IRQ5 to IRQ0 are requested by an input signal at pins  $\overline{\text{IRQ5}}$  to  $\overline{\text{IRQ0}}$ . Interrupts IRQ5 to IRQ0 have the following features:

- Using ISCR, it is possible to select whether an interrupt is generated by a low level, falling edge, rising edge, or both edges, at pins  $\overline{\text{IRQ5}}$  to  $\overline{\text{IRQ0}}$ .
- Enabling or disabling of interrupt requests IRQ5 to IRQ0 can be selected with IER.
- The interrupt priority level can be set with IPR.
- The status of interrupt requests IRQ5 to IRQ0 is indicated in ISR. ISR flags can be cleared to 0 by software.

The detection of IRQ5 to IRQ0 interrupts does not depend on whether the relevant pin has been set for input or output. However, when a pin is used as an external interrupt input pin, do not clear the corresponding DDR to 0; and use the pin as an I/O pin for another function.

A block diagram of interrupts IRQ5 to IRQ0 is shown in figure 5.2.



**Figure 5.2 Block Diagram of Interrupts IRQ5 to IRQ0**

### 5.4.2 Internal Interrupts

The sources for internal interrupts from on-chip peripheral modules have the following features:

- For each on-chip peripheral module there are flags that indicate the interrupt request status, and enable bits that select enabling or disabling of these interrupts. If both of these are set to 1 for a particular interrupt source, an interrupt request is issued to the interrupt controller.
- The interrupt priority level can be set by means of IPR.

## 5.5 Interrupt Exception Handling Vector Table

Table 5.2 shows interrupt exception handling sources, vector addresses, and interrupt priorities.

For default priorities, the lower the vector number, the higher the priority. Priorities among modules can be set by means of the IPR. Modules set at the same priority will conform to their default priorities. Priorities within a module are fixed.

**Table 5.2 Interrupt Sources, Vector Addresses, and Interrupt Priorities**

Interrupt Source	Origin of Interrupt Source	Vector Number	Vector Address*1		IPR	Priority
			Advanced Mode			
External pin	NMI	7	H'001C			High ↑
	IRQ0	16	H'0040	IPRA6 to IPRA4		
	IRQ1	17	H'0044	IPRA2 to IPRA0		
	IRQ2	18	H'0048	IPRB6 to IPRB4		
	IRQ3	19	H'004C	IPRB6 to IPRB4		
	IRQ4	20	H'0050	IPRB2 to IPRB0		
	IRQ5	21	H'0054			
Reserved for system use	—	22	H'0058			
	—	23	H'005C			
Watchdog timer 0	WOVI0	25	H'0064	IPRD6 to IPRD4		
A/D	ADI	28	H'0070	IPRE2 to IPRE0		
Watchdog timer 1	WOVI1	29	H'0074	IPRE2 to IPRE0		
TPU channel 0	TGI0A	32	H'0080	IPRF6 to IPRF4		
	TGI0B	33	H'0084			
	TGI0C	34	H'0088			
	TGI0D	35	H'008C			
	TCI0V	36	H'0090			
TPU channel 1	TGI1A	40	H'00A0	IPRF2 to IPRF0		
	TGI1B	41	H'00A4			
	TCI1V	42	H'00A8			
	TCI1U	43	H'00AC			
TPU channel 2	TGI2A	44	H'00B0	IPRG6 to IPRG4		
	TGI2B	45	H'00B4			
	TCI2V	46	H'00B8			
	TCI2U	47	H'00BC			Low

Interrupt Source	Origin of Interrupt Source	Vector Number	Vector Address* <sup>1</sup>	IPR	Priority
			Advanced Mode		
SCI channel 0	ERI0	80	H'0140	IPRJ2 to IPRJ0	High ↑
	RXI0	81	H'0144		
	TXI0	82	H'0148		
	TEI0	83	H'014C		
SCI channel 1	ERI1	84	H'0150	IPRK6 to IPRK4	
	RXI1	85	H'0154		
	TXI1	86	H'0158		
	TEI1	87	H'015C		
PWM	CMI1	104	H'01A0	IPRM6 to IPRM4	
	CMI2	105	H'01A4		
Reserved for system use	—	106	H'01A8		
	—	107	H'01AC		
HCAN* <sup>2</sup>	ERS0/OVR0, RM0, RM1, SLE0 (mailbox 0 reception)	108	H'01B0	IPRM2 to IPRM0	
		109	H'01B4		
Reserved for system use	—	111	H'01BC		Low

Notes: 1. Lower 16 bits of the start address.

2. In the H8S/2280 Group the HCAN interrupt sources are reserved.

## 5.6 Interrupt Control Modes and Interrupt Operation

The interrupt controller has two modes: interrupt control mode 0 and interrupt control mode 2. Interrupt operations differ depending on the interrupt control mode. The interrupt control mode is selected by SYSCR. Table 5.3 shows the differences between interrupt control mode 0 and interrupt control mode 2.

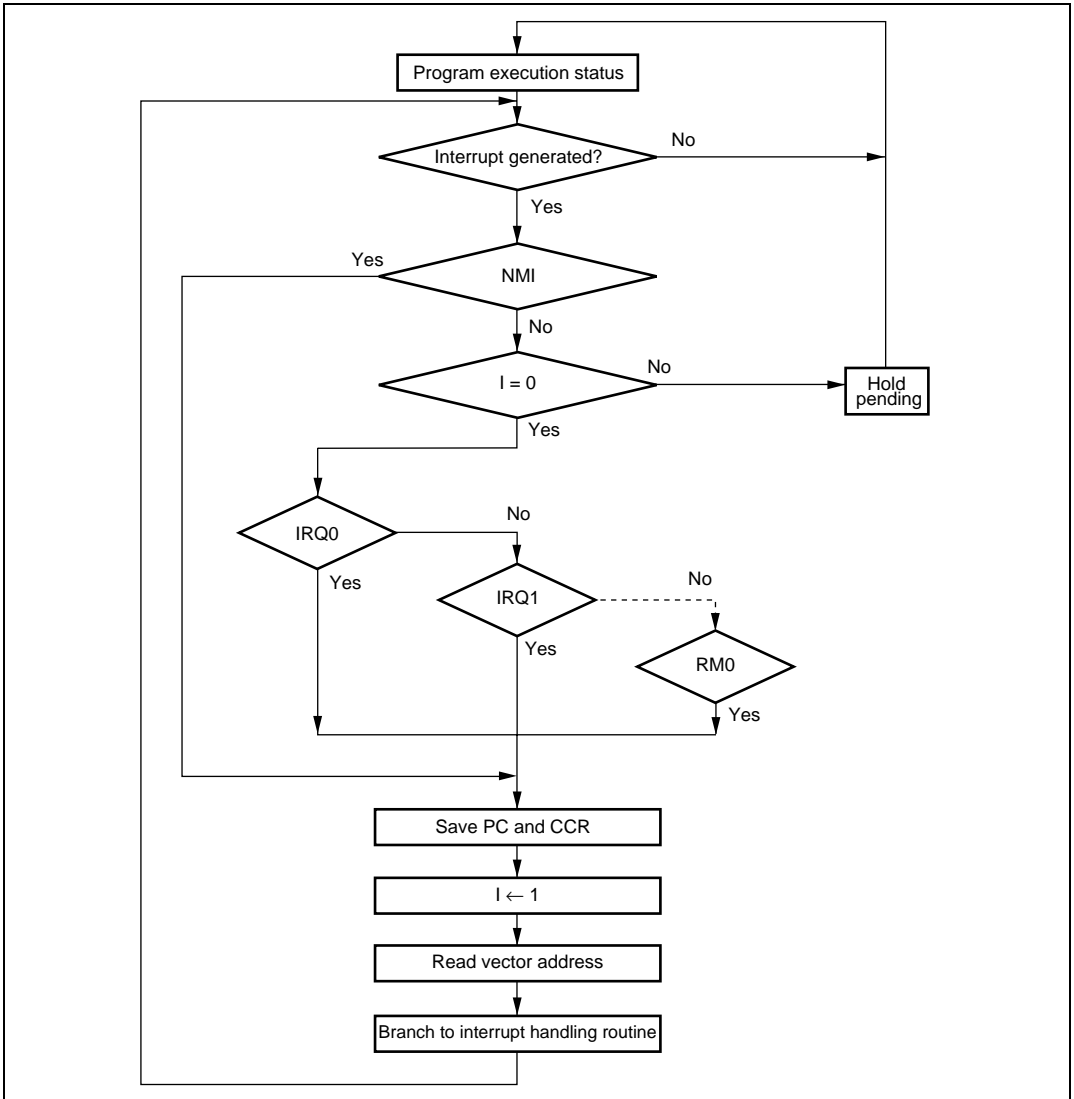
**Table 5.3 Interrupt Control Modes**

<b>Interrupt Control Mode</b>	<b>Priority Setting Registers</b>	<b>Interrupt Mask Bits</b>	<b>Description</b>
0	Default	I	The priorities of interrupt sources are fixed at the default settings. Interrupt sources, except for NMI, are masked by the I bit.
2	IPR	I2 to I0	8 priority levels other than NMI can be set with IPR. 8-level interrupt mask control is performed by bits I2 to I0.

### 5.6.1 Interrupt Control Mode 0

In interrupt control mode 0, interrupt requests other than for NMI are masked by the I bit of the CCR in the CPU. Figure 5.3 shows a flowchart of the interrupt acceptance operation in this case.

- 1 If an interrupt source occurs when the corresponding interrupt enable bit is set to 1, an interrupt request is sent to the interrupt controller.
- 2 If the I bit is set to 1, only an NMI interrupt is accepted, and other interrupt requests are held pending. If the I bit is cleared, an interrupt request is accepted.
- 3 Interrupt requests are sent to the interrupt controller, the highest-ranked interrupt according to the priority system is accepted, and other interrupt requests are held pending.
- 4 When the CPU accepts an interrupt request, it starts interrupt exception handling after execution of the current instruction has been completed.
- 5 The PC and CCR are saved to the stack area by interrupt exception handling. The PC saved on the stack shows the address of the first instruction to be executed after returning from the interrupt handling routine.
- 6 Next, the I bit in CCR is set to 1. This masks all interrupts except NMI.
- 7 The CPU generates a vector address for the accepted interrupt and starts execution of the interrupt handling routine at the address indicated by the contents of the vector address in the vector table.



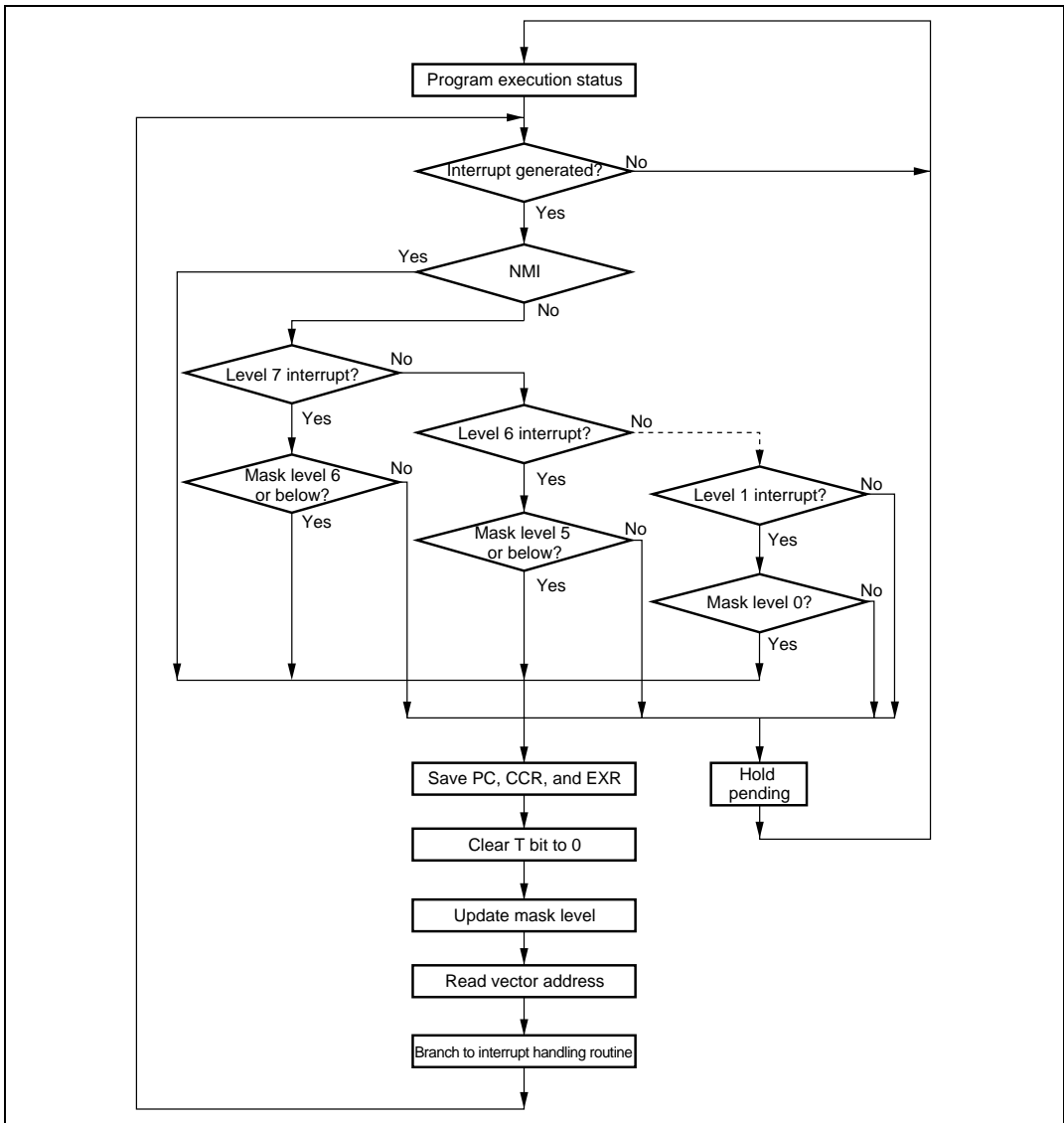
**Figure 5.3 Flowchart of Procedure up to Interrupt Acceptance in Interrupt Control Mode 0**

## 5.6.2 Interrupt Control Mode 2

In interrupt control mode 2, mask control is applied to eight levels for interrupt requests other than NMI by comparing the EXR interrupt mask level (I2 to I0 bits) in the CPU and the IPR setting.

Figure 5.4 shows a flowchart of the interrupt acceptance operation in this case.

- 1 If an interrupt source occurs when the corresponding interrupt enable bit is set to 1, an interrupt request is sent to the interrupt controller.
- 2 When interrupt requests are sent to the interrupt controller, the interrupt with the highest priority according to the interrupt priority levels set in IPR is selected, and lower-priority interrupt requests are held pending. If a number of interrupt requests with the same priority are generated at the same time, the interrupt request with the highest priority according to the priority system shown in table 5.3 is selected.
- 3 Next, the priority of the selected interrupt request is compared with the interrupt mask level set in EXR. An interrupt request with a priority no higher than the mask level set at that time is held pending, and only an interrupt request with a priority higher than the interrupt mask level is accepted.
- 4 When the CPU accepts an interrupt request, it starts interrupt exception handling after execution of the current instruction has been completed.
- 5 The PC, CCR, and EXR are saved to the stack area by interrupt exception handling. The PC saved on the stack shows the address of the first instruction to be executed after returning from the interrupt handling routine.
- 6 The T bit in EXR is cleared to 0. The interrupt mask level is rewritten with the priority level of the accepted interrupt.  
If the accepted interrupt is NMI, the interrupt mask level is set to H'7.
- 7 The CPU generates a vector address for the accepted interrupt and starts execution of the interrupt handling routine at the address indicated by the contents of the vector address in the vector table.



**Figure 5.4 Flowchart of Procedure Up to Interrupt Acceptance in Control Mode 2**

### 5.6.3 Interrupt Exception Handling Sequence

Figure 5.5 shows the interrupt exception handling sequence. The example shown is for the case where interrupt control mode 0 is set in advanced mode, and the program area and stack area are in on-chip memory.



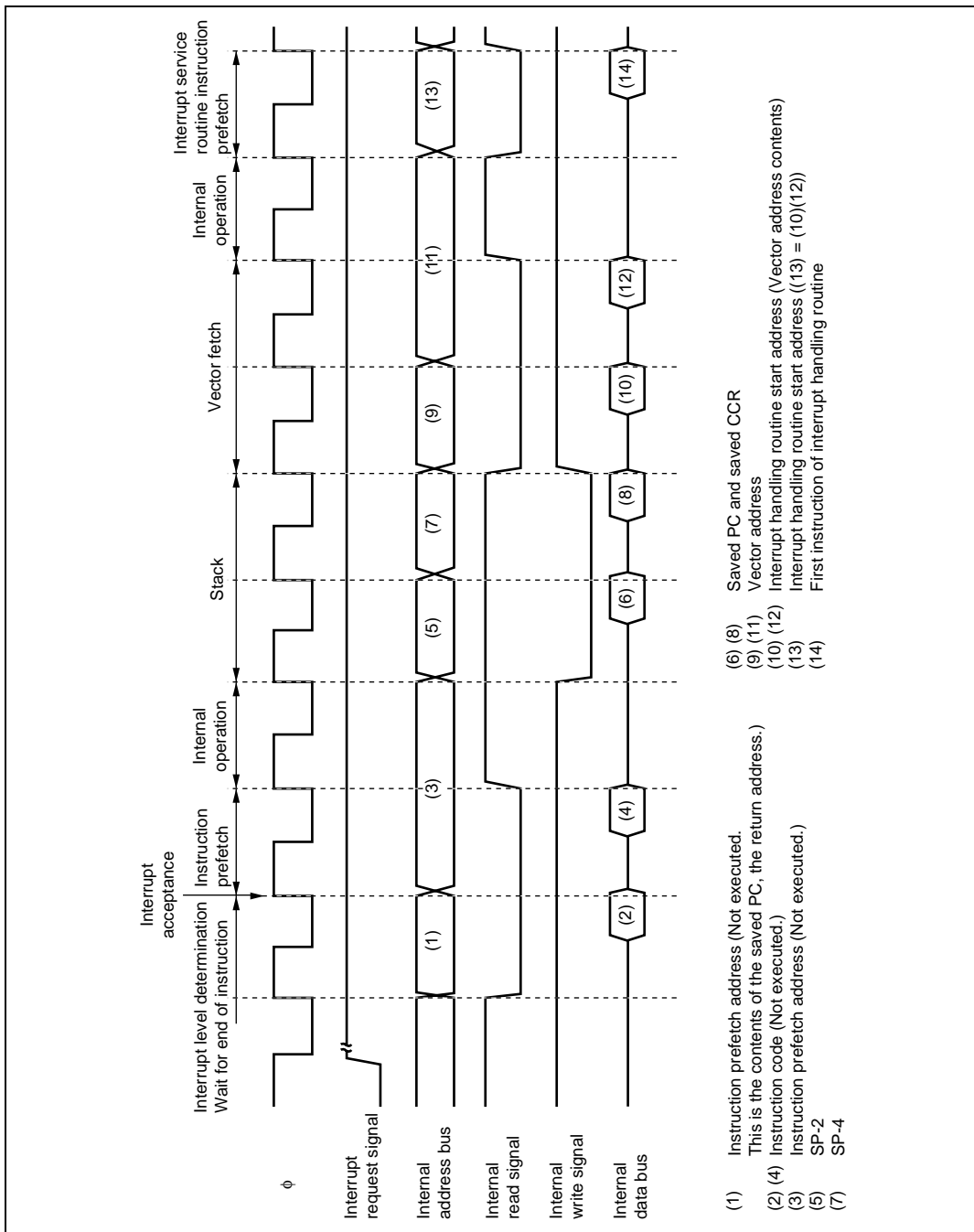


Figure 5.5 Interrupt Exception Handling

### 5.6.4 Interrupt Response Times

Table 5.4 shows interrupt response times - the interval between generation of an interrupt request and execution of the first instruction in the interrupt handling routine. The execution status symbols used in table 5.4 are explained in table 5.5.

This LSI is capable of fast word transfer to on-chip memory, has the program area in on-chip ROM and the stack area in on-chip RAM, enabling high-speed processing.

**Table 5.4 Interrupt Response Times**

No.	Execution Status	Normal Mode <sup>*5</sup>		Advanced Mode	
		Interrupt control mode 0	Interrupt control mode 2	Interrupt control mode 0	Interrupt control mode 2
1	Interrupt priority determination <sup>*1</sup>	3	3	3	3
2	Number of wait states until executing instruction ends <sup>*2</sup>	1 to 19 + 2·S <sub>i</sub>	1 to 19 + 2·S <sub>i</sub>	1 to 19 + 2·S <sub>i</sub>	1 to 19 + 2·S <sub>i</sub>
3	PC, CCR, EXR stack save	2·S <sub>k</sub>	3·S <sub>k</sub>	2·S <sub>k</sub>	3·S <sub>k</sub>
4	Vector fetch	S <sub>i</sub>	S <sub>i</sub>	2·S <sub>i</sub>	2·S <sub>i</sub>
5	Instruction fetch <sup>*3</sup>	2·S <sub>i</sub>	2·S <sub>i</sub>	2·S <sub>i</sub>	2·S <sub>i</sub>
6	Internal processing <sup>*4</sup>	2	2	2	2
Total (using on-chip memory)		11 to 31	12 to 32	12 to 32	13 to 33

- Notes:
1. Two states in case of internal interrupt.
  2. Refers to MULXS and DIVXS instructions.
  3. Prefetch after interrupt acceptance and interrupt handling routine prefetch.
  4. Internal processing after interrupt acceptance and internal processing after vector fetch.
  5. Not available in this LSI.

**Table 5.5 Number of States in Interrupt Handling Routine Execution Status**

Symbol		Object of Access				
		Internal Memory	External Device*			
			8 Bit Bus		16 Bit Bus	
			2-State Access	3-State Access	2-State Access	3-State Access
Instruction fetch	SI	1	4	6+2m	2	3+m
Branch address read	SJ					
Stack manipulation	SK					

Legend:

m: Number of wait states in an external device access.

Note: \* Cannot be used in this LSI.

## 5.7 Usage Notes

### 5.7.1 Contention between Interrupt Generation and Disabling

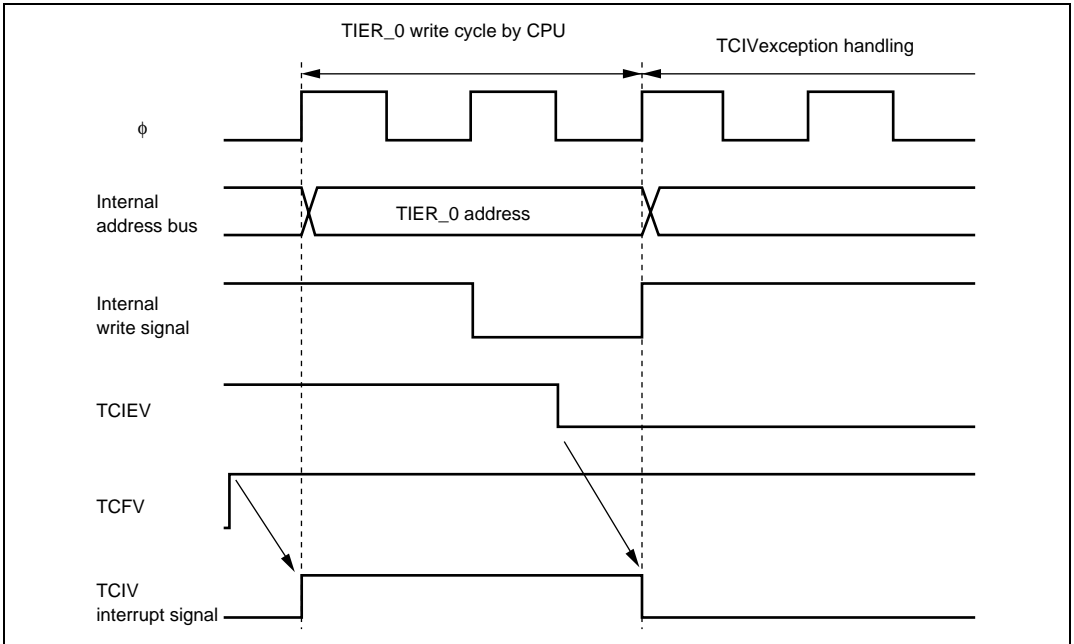
When an interrupt enable bit is cleared to 0 to disable interrupts, the disabling becomes effective after execution of the instruction.

When an interrupt enable bit is cleared to 0 by an instruction such as BCLR or MOV, and if an interrupt is generated during execution of the instruction, the interrupt concerned will still be enabled on completion of the instruction, and so interrupt exception handling for that interrupt will be executed on completion of the instruction. However, if there is an interrupt request of higher priority than that interrupt, interrupt exception handling will be executed for the higher-priority interrupt, and the lower-priority interrupt will be ignored.

The same also applies when an interrupt source flag is cleared to 0.

Figure 5.6 shows an example in which the TGIEA bit in the TPU's TIER\_0 register is cleared to 0.

The above contention will not occur if an enable bit or interrupt source flag is cleared to 0 while the interrupt is masked.



**Figure 5.6 Contention between Interrupt Generation and Disabling**

### 5.7.2 Instructions that Disable Interrupts

The instructions that disable interrupts are LDC, ANDC, ORC, and XORC. After any of these instructions are executed, all interrupts including NMI are disabled and the next instruction is always executed. When the I bit is set by one of these instructions, the new value becomes valid two states after execution of the instruction ends.

### 5.7.3 When Interrupts Are Disabled

There are times when interrupt acceptance is disabled by the interrupt controller.

The interrupt controller disables interrupt acceptance for a 3-state period after the CPU has updated the mask level with an LDC, ANDC, ORC, or XORC instruction.

### 5.7.4 Interrupts during Execution of EEPMOV Instruction

Interrupt operation differs between the EEPMOV.B instruction and the EEPMOV.W instruction.

With the EEPMOV.B instruction, an interrupt request (including NMI) issued during the transfer is not accepted until the move is completed.

With the EEPMOV.W instruction, if an interrupt request is issued during the transfer, interrupt exception handling starts at a break in the transfer cycle. The PC value saved on the stack in this case is the address of the next instruction.

Therefore, if an interrupt is generated during execution of an EEPMOV.W instruction, the following coding should be used.

```
L1:  EEPMOV.W
      MOV.W   R4, R4
      BNE    L1
```

### 5.7.5 IRQ Interrupts

When the clock is operating,  $\overline{\text{IRQ}}$  inputs are accepted in synchronization with the clock input. In software standby mode,  $\overline{\text{IRQ}}$  inputs are accepted asynchronously. For details on the  $\overline{\text{IRQ}}$  input conditions, see section 22.3.2, Control Signal Timing.



## Section 6 Bus Controller

The H8S/2600 CPU is driven by a system clock, denoted by the symbol  $\phi$ .

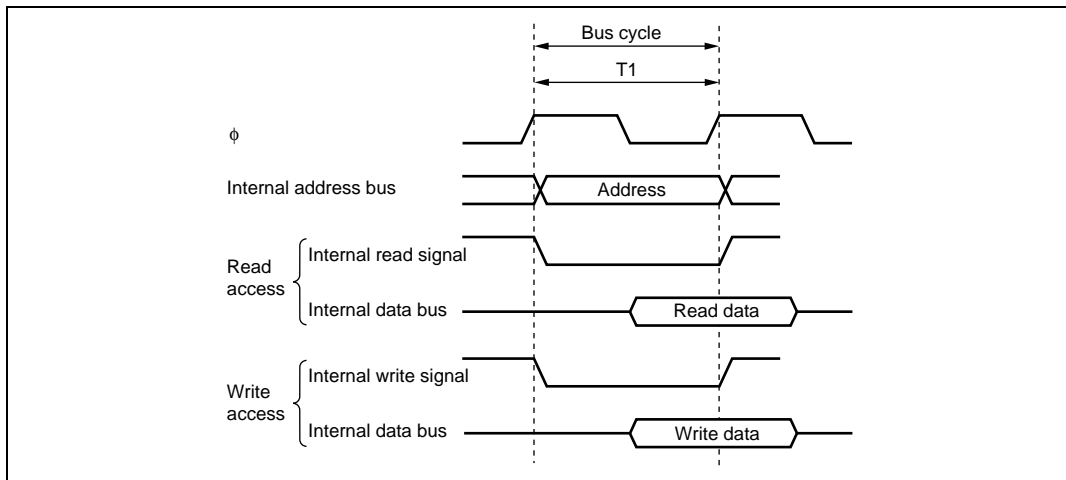
The bus controller controls a memory cycle and a bus cycle. Different methods are used to access on-chip memory and on-chip peripheral modules. The bus controller also has a bus arbitration function, and controls the operation of the internal bus master.

### 6.1 Basic Timing

The period from one rising edge of  $\phi$  to the next is referred to as a “state.” The memory cycle or bus cycle consists of one, two, three, or four states. Different methods are used to access on-chip memory, on-chip peripheral modules, and the external address space.

#### 6.1.1 On-Chip Memory Access Timing (ROM, RAM)

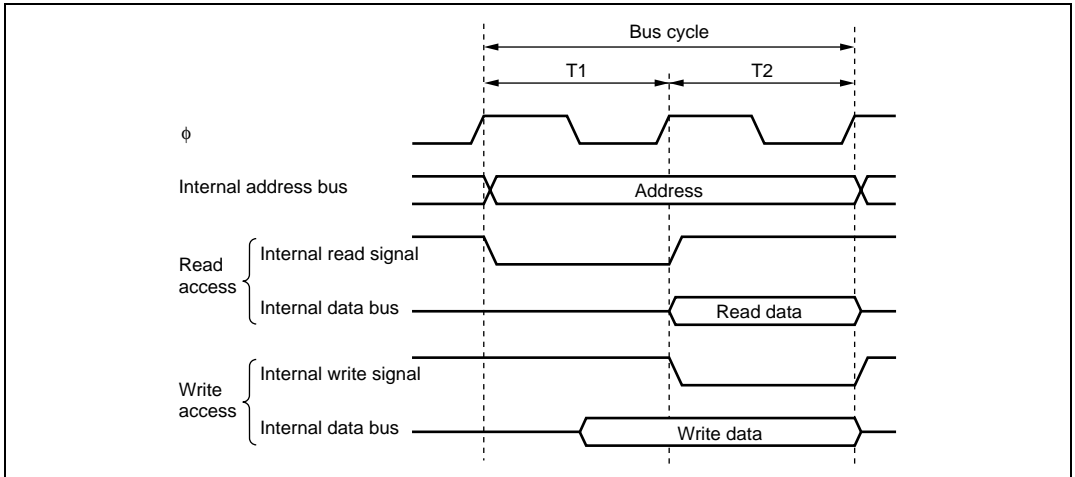
On-chip memory is accessed in one state. The data bus is 16 bits wide, permitting both byte and word transfer instruction. Figure 6.1 shows the on-chip memory access cycle.



**Figure 6.1 On-Chip Memory Access Cycle**

### 6.1.2 On-Chip Peripheral Module Access Timing

The on-chip peripheral modules, except for HCAN, PWM, LCD, Ports H and J, are accessed in two states. The data bus is either 8 bits or 16 bits wide, depending on the particular internal I/O register being accessed. For details, see section 21, List of Registers. Figure 6.2 shows access timing for the on-chip peripheral modules.



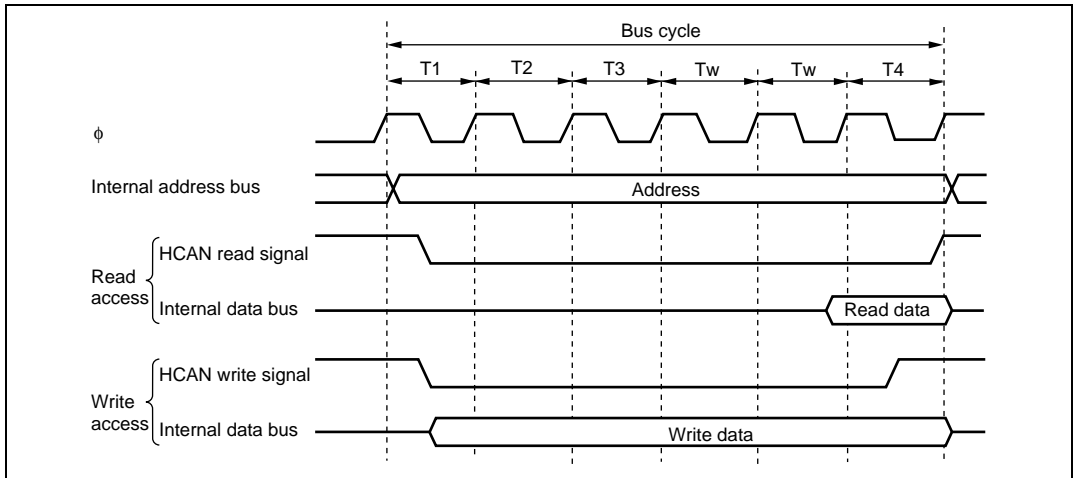
**Figure 6.2 On-Chip Peripheral Module Access Cycle**



### 6.1.3 On-Chip HCAN Module Access Timing

On-chip HCAN module access is performed in four states. The data bus width is 16 bits. Wait states can be inserted by means of a wait request from the HCAN. On-chip HCAN module access timing is shown in figures 6.3.

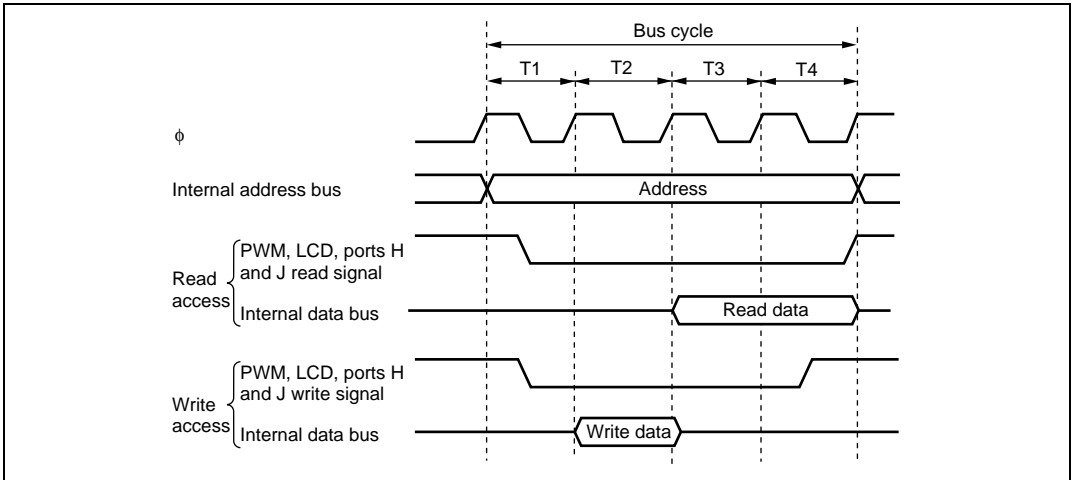
Note: The H8S/2280 Group is not equipped with HCAN pins.



**Figure 6.3 On-Chip HCAN Module Access Cycle (Wait States Inserted)**

### 6.1.4 On-Chip PWM, LCD, Ports H and J Module Access Timing

On-chip PWM, LCD, Ports H and J module access timing is performed in four states. The data bus width is 16 bits. PWM, LCD, Ports H and J module access timing is shown in figure 6.4.



**Figure 6.4 On-Chip PWM, LCD, Ports H and J Module Access Cycle**

## Section 7 I/O Ports

Table 7.1 summarizes the port functions of the H8S/2282 Group and H8S/2280 Group (HD64F2280B). Table 7.2 summarizes the port functions of the H8S/2280 Group (HD64F2280RB). The pins of each port also have other functions such as input/output or external interrupt input pins of on-chip peripheral modules. Each I/O port includes a data direction register (DDR) that controls input/output, a data register (DR) that stores output data, and a port register (PORT) used to read the pin states. The input-only ports do not have a DR or DDR register.

Ports 3 and A to C includes an open-drain control register (ODR) that controls the on/off state of the output buffer PMOS.

All of the I/O ports can drive a single TTL load and 30 pF capacitive load.

**Table 7.1 Port Functions of H8S/2282 Group and H8S/2280 Group (HD64F2280B)**

<b>Port</b>	<b>Description</b>	<b>Port and Other Functions Name</b>	<b>Input/Output and Output Type</b>
Port 1	General I/O port also functioning as TPU_0, TPU_1, and TPU_2 I/O pins and interrupt input pins	P17/TIOCB2/TCLKD	
		P16/TIOCA2/IRQ1	
		P15/TIOCB1/TCLKC	
		P14/TIOCA1/IRQ0	
		P13/TIOCD0/TCLKB	
		P12/TIOCC0/TCLKA	
		P11/TIOCB0	
		P10/TIOCA0	
Port 3	General I/O port also functioning as SCI_0 and SCI_1 I/O pins and interrupt input pins	P35/SCK1/IRQ5	Push-pull or open-drain output type selectable
		P34/RxD1	
		P33/TxD1	
		P32/SCK0/IRQ4	
		P31/RxD0	
		P30/TxD0	
Port 4	General input port also functioning as A/D converter analog input pins	P47/AN7	
		P46/AN6	
		P45/AN5	
		P44/AN4	
		P43/AN3	
		P42/AN2	
		P41/AN1	
		P40/AN0	
Port A	General I/O port also functioning as segment and common output pins of LCD	PA7/SEG28	Push-pull or open-drain output type selectable
		PA6/SEG27	
		PA5/SEG26	
		PA4/SEG25	
		PA3/COM4	
		PA2/COM3	
		PA1/COM2	
		PA0/COM1	

Port	Description	Port and Other Functions Name	Input/Output and Output Type
Port B	General I/O port also functioning as segment output pins of LCD	PB7/SEG20	Push-pull or open-drain output type selectable
		PB6/SEG19	
		PB5/SEG18	
		PB4/SEG17	
		PB3/SEG16	
		PB2/SEG15	
		PB1/SEG14	
		PB0/SEG13	
Port C	General I/O port also functioning as segment output pins of LCD	PC7/SEG12	Push-pull or open-drain output type selectable
		PC6/SEG11	
		PC5/SEG10	
		PC4/SEG9	
		PC3/SEG8	
		PC2/SEG7	
		PC1/SEG6	
		PC0/SEG5	
Port D	General I/O port also functioning as segment output pins of LCD	PD7/SEG4	
		PD6/SEG3	
		PD5/SEG2	
		PD4/SEG1	
Port F	General I/O port also functioning as interrupt input pin, A/D converter start trigger input pin, segment output pins of LCD, and a system clock output pin	PF7/ $\phi$	
		PF6/SEG24	
		PF5/SEG23	
		PF4/SEG22	
		PF3/ADTRG/IRQ3	
		PF2/SEG21	
		PF1*	
PF0/IRQ2*			

Port	Description	Port and Other Functions Name	Input/Output and Output Type
Port H	General I/O port also functioning as PWM_1 output pins	PH7/PWM1H	
		PH6/PWM1G	
		PH5/PWM1F	
		PH4/PWM1E	
		PH3/PWM1D	
		PH2/PWM1C	
		PH1/PWM1B	
		PH0/PWM1A	
Port J	General I/O port also functioning as PWM_2 output pins	PJ7/PWM2H	
		PJ6/PWM2G	
		PJ5/PWM2F	
		PJ4/PWM2E	
		PJ3/PWM2D	
		PJ2/PWM2C	
		PJ1/PWM2B	
		PJ0/PWM2A	

Note: \* The H8S/2282 Group does not have these pins.

**Table 7.2 Port Functions of H8S/2280 Group (HD64F2280RB)**

<b>Port</b>	<b>Description</b>	<b>Port and Other Functions Name</b>	<b>Input/Output and Output Type</b>
Port 1	General I/O port also functioning as TPU_0, TPU_1, and TPU_2 I/O pins and interrupt input pins	P17/TIOCB2/TCLKD	
		P16/TIOCA2/IRQ1	
		P15/TIOCB1/TCLKC	
		P14/TIOCA1/IRQ0	
		P13/TIOCD0/TCLKB	
		P12/TIOCC0/TCLKA	
		P11/TIOCB0	
		P10/TIOCA0	
Port 3	General I/O port also functioning as SCI_0 and SCI_1 I/O pins and interrupt input pins	P35/SCK1/IRQ5	Push-pull or open-drain output type selectable
		P34/RxD1	
		P33/TxD1	
		P32/SCK0/IRQ4	
		P31/RxD0	
		P30/TxD0	
Port 4	General input port also functioning as A/D converter analog input pins	P47/AN7	
		P46/AN6	
		P45/AN5	
		P44/AN4	
		P43/AN3	
		P42/AN2	
		P41/SEG4	
		P40/SEG3	
Port A	General I/O port also functioning as segment and common output pins of LCD	PA7/SEG32	Push-pull or open-drain output type selectable
		PA6/SEG31	
		PA5/SEG30	
		PA4/SEG29	
		PA3/COM4	
		PA2/COM3	
		PA1/COM2	
		PA0/COM1	

Port	Description	Port and Other Functions Name	Input/Output and Output Type
Port B	General I/O port also functioning as segment output pins of LCD	PB7/SEG24	Push-pull or open-drain output type selectable
		PB6/SEG23	
		PB5/SEG22	
		PB4/SEG21	
		PB3/SEG20	
		PB2/SEG19	
		PB1/SEG18	
		PB0/SEG17	
Port C	General I/O port also functioning as segment output pins of LCD	PC7/SEG16	Push-pull or open-drain output type selectable
		PC6/SEG15	
		PC5/SEG14	
		PC4/SEG13	
		PC3/SEG12	
		PC2/SEG11	
		PC1/SEG10	
		PC0/SEG9	
Port D	General I/O port also functioning as segment output pins of LCD	PD7/SEG8	
		PD6/SEG7	
		PD5/SEG6	
		PD4/SEG5	
Port F	General I/O port also functioning as interrupt input pin, A/D converter start trigger input pin, segment output pins of LCD, and a system clock output pin	PF7/ $\phi$	
		PF6/SEG28	
		PF5/SEG27	
		PF4/SEG26	
		PF3/ADTRG/IRQ3	
		PF2/SEG25	
		PF1/SEG2	
		PF0/SEG1/IRQ2	



Port	Description	Port and Other Functions Name	Input/Output and Output Type
Port H	General I/O port also functioning as PWM_1 output pins	PH7/PWM1H	
		PH6/PWM1G	
		PH5/PWM1F	
		PH4/PWM1E	
		PH3/PWM1D	
		PH2/PWM1C	
		PH1/PWM1B	
		PH0/PWM1A	
Port J	General I/O port also functioning as PWM_2 output pins	PJ7/PWM2H	
		PJ6/PWM2G	
		PJ5/PWM2F	
		PJ4/PWM2E	
		PJ3/PWM2D	
		PJ2/PWM2C	
		PJ1/PWM2B	
		PJ0/PWM2A	

## 7.1 Port 1

Port 1 is an 8-bit I/O port. Port 1 has the following registers.

- Port 1 data direction register (P1DDR)
- Port 1 data register (P1DR)
- Port 1 register (PORT1)

### 7.1.1 Port 1 Data Direction Register (P1DDR)

The individual bits of P1DDR specify input or output for the pins of port 1.

Bit	Bit Name	Initial Value	R/W	Description
7	P17DDR	0	W	When a pin function is specified to a general I/O port, setting this bit to 1 makes the corresponding port 1 pin an output pin, while clearing this bit to 0 makes the pin an input pin.
6	P16DDR	0	W	
5	P15DDR	0	W	
4	P14DDR	0	W	
3	P13DDR	0	W	
2	P12DDR	0	W	
1	P11DDR	0	W	
0	P10DDR	0	W	

---

### 7.1.2 Port 1 Data Register (P1DR)

P1DR stores output data for the port 1 pins.

Bit	Bit Name	Initial Value	R/W	Description
7	P17DR	0	R/W	Output data for a pin is stored when the pin function is specified to a general I/O port.
6	P16DR	0	R/W	
5	P15DR	0	R/W	
4	P14DR	0	R/W	
3	P13DR	0	R/W	
2	P12DR	0	R/W	
1	P11DR	0	R/W	
0	P10DR	0	R/W	

### 7.1.3 Port 1 Register (PORT1)

PORT1 shows port 1 pin states. PORT1 cannot be modified.

Bit	Bit Name	Initial Value	R/W	Description
7	P17	Undefined*	R	If a port 1 read is performed while P1DDR bits are set to 1, the P1DR values are read. If a port 1 read is performed while P1DDR bits are cleared to 0, the pin states are read.
6	P16	Undefined*	R	
5	P15	Undefined*	R	
4	P14	Undefined*	R	
3	P13	Undefined*	R	
2	P12	Undefined*	R	
1	P11	Undefined*	R	
0	P10	Undefined*	R	

Note: \* Determined by the states of pins P17 to P10.

### 7.1.4 Pin Functions

Port 1 pins also function as I/O pins of TPU\_0, TPU\_1, and TPU\_2, and interrupt input pins. The correspondence between the register specification and the pin functions is shown below.

- P17/TIOCB2/TCLKD

The pin function is switched as shown below according to the combination of the TPU channel 2 settings (by bits MD3 to MD0 in TMDR\_2, bits IOB3 to IOB0 in TIOR\_2, and bits CCLR1 and CCLR0 in TCR\_2), bits TPSC2 to TPSC0 in TCR\_0, and bit P17DDR.

TPU channel 2 settings	(1) in table below	(2) in table below	
P17DDR	—	0	1
Pin function	TIOCB2 output	P17 input	P17 output
		TIOCB2 input*1	
	TCLKD input*2		

TPU channel 2 settings	(2)	(1)	(2)	(2)	(1)	(2)
MD3 to MD0	B'0000, B'01xx		B'0010	B'0011		
IOB3 to IOB0	B'0000 B'0100 B'1xxx	B'0001 to B'0011 B'0101 to B'0111	—	B'xx00	Other than B'xx00	
CCLR1, CCLR0	—	—	—	—	Other than B'10	B'10
Output function	—	Output compare output	—	—	PWM mode 2 output	—

Legend:

x: Don't care

Notes: 1. TIOCB2 input when MD3 to MD0 = B'0000 or B'01xx while IOB3 = 1.

2. TCLKD input when TPSC2 to TPSC0 = B'111 in TCR\_0.

TCLKD input when phase counting mode is set to channel 2.

- P16/TIOCA2/ $\overline{\text{IRQ1}}$

The pin function is switched as shown below according to the combination of the TPU channel 2 settings (by bits MD3 to MD0 in TMDR\_2, bits IOA3 to IOA0 in TIOR\_2, and bits CCLR1 and CCLR0 in TCR\_2) and bit P16DDR.

TPU channel 2 settings	(1) in table below	(2) in table below	
P16DDR	—	0	1
Pin function	TIOCA2 output	P16 input	P16 output
		TIOCA2 input* <sup>1</sup>	
	$\overline{\text{IRQ1}}$ input		

TPU channel 2 settings	(2)	(1)	(2)	(1)	(1)	(2)
MD3 to MD0	B'0000, B'01xx		B'001x	B'0010	B'0011	
IOA3 to IOA0	B'0000 B'0100 B'1xxx	B'0001 to B'0011 B'0101 to B'0111	B'xx00	Other than B'xx00		
CCLR1, CCLR0	—	—	—	—	Other than B'01	B'01
Output function	—	Output compare output	—	PWM mode 1 output* <sup>2</sup>	PWM mode 2 output	—

Legend:

x: Don't care

- Notes: 1. TIOCA2 input when MD3 to MD0 = B'0000 or B'01xx while IOA3 = 1.  
2. TIOCB2 output disabled.

- P15/TIOCB1/TCLKC

The pin function is switched as shown below according to the combination of the TPU channel 1 settings (by bits MD3 to MD0 in TMDR\_1, bits IOB3 to IOB0 in TIOR\_1, and bits CCLR1 and CCLR0 in TCR\_1), bits TPSC2 to TPSC0 in TCR\_0 to TCR\_2, and bit P15DDR.

TPU channel 1 settings	(1) in table below	(2) in table below	
P15DDR	—	0	1
Pin function	TIOCB1 output	P15 input	P15 output
		TIOCB1 input* <sup>1</sup>	
	TCLKC input* <sup>2</sup>		

TPU channel 1 settings	(2)	(1)	(2)	(2)	(1)	(2)
MD3 to MD0	B'0000, B'01xx		B'0010	B'0011		
IOB3 to IOB0	B'0000 B'0100 B'1xxx	B'0001 to B'0011 B'0101 to B'0111	—	B'xx00	Other than B'xx00	
CCLR1, CCLR0	—	—	—	—	Other than B'10	B'10
Output function	—	Output compare output	—	—	PWM mode 2 output	—

Legend:

x: Don't care

- Notes: 1. TIOCB1 input when MD3 to MD0 = B'0000 or B'01xx while IOB3 to IOB0 = B'10xx.  
 2. TCLKC input when the bits TPSC2 to TPSC0 in either TCR\_0 or TCR\_2 are set to B'110. TCLKC input also when phase counting mode is set for channel 2.

- P14/TIOCA1/ $\overline{\text{IRQ0}}$

The pin function is switched as shown below according to the combination of the TPU channel 1 settings (by bits MD3 to MD0 in TMDR\_1, bits IOA3 to IOA0 in TIOR\_1, and bits CCLR1 and CCLR0 in TCR\_1) and bit P14DDR.

TPU channel 1 settings	(1) in table below	(2) in table below	
P14DDR	—	0	1
Pin function	TIOCA1 output	P14 input	P14 output
		TIOCA1 input* <sup>1</sup>	
	$\overline{\text{IRQ0}}$ input		

TPU channel 1 settings	(2)	(1)	(2)	(1)	(1)	(2)
MD3 to MD0	B'0000, B'01xx		B'001x	B'0010	B'0011	
IOA3 to IOA0	B'0000 B'0100 B'1xxx	B'0001 to B'0011 B'0101 to B'0111	B'xx00	Other than B'xx00	Other than B'xx00	
CCLR1, CCLR0	—	—	—	—	Other than B'01	B'01
Output function	—	Output compare output	—	PWM mode 1 output* <sup>2</sup>	PWM mode 2 output	—

Legend:

x: Don't care

Notes: 1. TIOCA1 input when MD3 to MD0 = B'0000 or B'01xx while IOA3 to IOA0 = B'10xx.  
2. TIOCB1 output disabled.

- P13/TIOCD0/TCLKB

The pin function is switched as shown below according to the combination of the TPU channel 0 settings (by bits MD3 to MD0 in TMDR\_0, bits IOD3 to IOD0 in TIORL\_0, and bits CCLR2 to CCLR0 in TCR\_0), bits TPSC2 to TPSC0 in TCR\_0 to TCR\_2, and bit P13DDR.

TPU channel 0 settings	(1) in table below	(2) in table below	
P13DDR	—	0	1
Pin function	TIOCD0 output	P13 input	P13 output
		TIOCD0 input* <sup>1</sup>	
	TCLKB input* <sup>2</sup>		

TPU channel 0 settings	(2)	(1)	(2)	(2)	(1)	(2)
MD3 to MD0	B'0000		B'0010	B'0011		
IOD3 to IOD0	B'0000 B'0100 B'1xxx	B'0001 to B'0011 B'0101 to B'0111	—	B'xx00	Other than B'xx00	
CCLR2 to CCLR0	—	—	—	—	Other than B'110	B'110
Output function	—	Output compare output	—	—	PWM mode 2 output	—

Legend:

x: Don't care

- Notes: 1. TIOCD0 input when MD3 to MD0 = B'0000 while IOD3 to IOD0 = B'10xx.  
 2. TCLKB input when TPSC2 to TPSC0 = B'101 in any of TCR\_0 to TCR\_2.  
 TCLKB input also when phase counting mode is set for channel 1.



- P12/TIOCC0/TCLKA

The pin function is switched as shown below according to the combination of the TPU channel 0 settings (by bits MD3 to MD0 in TMDR\_0, bits IOC3 to IOC0 in TIORL\_0, and bits CCLR2 to CCLR0 in TCR\_0), bits TPSC2 to TPSC0 in TCR\_0 to TCR\_2, and bit P12DDR.

TPU channel 0 settings	(1) in table below	(2) in table below	
P12DDR	—	0	1
Pin function	TIOCC0 output	P12 input	P12 output
		TIOCC0 input* <sup>1</sup>	
	TCLKA input* <sup>2</sup>		

TPU channel 0 settings	(2)	(1)	(2)	(1)	(1)	(2)
MD3 to MD0	B'0000		B'001x	B'0010	B'0011	
IOC3 to IOC0	B'0000 B'0100 B'1xxx	B'0001 to B'0011 B'0101 to B'0111	B'xx00	Other than B'xx00	Other than B'xx00	
CCLR2 to CCLR0	—	—	—	—	Other than B'101	B'101
Output function	—	Output compare output	—	PWM mode 1 output* <sup>3</sup>	PWM mode 2 output	—

Legend:

x: Don't care

- Notes:
1. TIOCC0 input when MD3 to MD0 = B'0000 while IOC3 to IOC0 = B'10xx.
  2. TCLKA input when TPSC2 to TPSC0 = B'100 in any of TCR\_0 to TCR\_2. TCLKA input also when phase counting mode is set for channel 1.
  3. TIOCC0 output disabled. Output disabled and settings (2) effective when BFA = 1 or BFB = 1 in TMDR\_0.

- P11/TIOCB0

The pin function is switched as shown below according to the combination of the TPU channel 0 settings (by bits MD3 to MD0 in TMDR\_0, bits IOB3 to IOB0 in TIORH\_0, and bits CCLR2 to CCLR0 in TCR\_0) and bit P11DDR.

TPU channel 0 settings	(1) in table below	(2) in table below	
P11DDR	—	0	1
Pin function	TIOCB0 output	P11 input	P11 output
		TIOCB0 input	

TPU channel 0 settings	(2)	(1)	(2)	(2)	(1)	(2)
MD3 to MD0	B'0000		B'0010	B'0011		
IOB3 to IOB0	B'0000 B'0100 B'1xxx	B'0001 to B'0011 B'0101 to B'0111	—	B'xx00	Other than B'xx00	
CCLR2 to CCLR0	—	—	—	—	Other than B'010	B'010
Output function	—	Output compare output	—	—	PWM mode 2 output	—

Legend:

x: Don't care

Note: TIOCB0 input when MD3 to MD0 = B'0000 while IOB3 to IOB0 = B'10xx.

- P10/TIOCA0

The pin function is switched as shown below according to the combination of the TPU channel 0 settings (by bits MD3 to MD0 in TMDR\_0, bits IOA3 to IOA0 in TIORH\_0, and bits CCLR2 to CCLR0 in TCR\_0) and bit P10DDR.

TPU channel 0 settings	(1) in table below	(2) in table below	
P10DDR	—	0	1
Pin function	TIOCA0 output	P10 input	P10 output
		TIOCA0 input* <sup>1</sup>	

TPU channel 0 settings	(2)	(1)	(2)	(1)	(1)	(2)
MD3 to MD0	B'0000		B'001x	B'0010	B'0011	
IOA3 to IOA0	B'0000 B'0100 B'1xxx	B'0001 to B'0011 B'0101 to B'0111	B'xx00	Other than B'xx00	Other than B'xx00	
CCLR2 to CCLR0	—	—	—	—	Other than B'001	B'001
Output function	—	Output compare output	—	PWM mode 1 output* <sup>2</sup>	PWM mode 2 output	—

Legend:

x: Don't care

Notes: 1. TIOCA0 input when MD3 to MD0 = B'0000 while IOA3 to IOA0 = B'10xx.

2. TIOCA0 output disabled.

## 7.2 Port 3

Port 3 is a 6-bit I/O port that also has other functions. Port 3 has the following registers.

- Port 3 data direction register (P3DDR)
- Port 3 data register (P3DR)
- Port 3 register (PORT3)
- Port 3 open-drain control register (P3ODR)

### 7.2.1 Port 3 Data Direction Register (P3DDR)

The individual bits of P3DDR specify input or output for the pins of port 3.

Bit	Bit Name	Initial Value	R/W	Description
7, 6	—	Undefined	—	Reserved These bits will return undefined values if read.
5	P35DDR	0	W	When a pin function is specified to a general I/O port, setting this bit to 1 makes the corresponding port 1 pin an output pin, while clearing this bit to 0 makes the pin an input pin.
4	P34DDR	0	W	
3	P33DDR	0	W	
2	P32DDR	0	W	
1	P31DDR	0	W	
0	P30DDR	0	W	

### 7.2.2 Port 3 Data Register (P3DR)

P3DR stores output data for the port 3 pins.

Bit	Bit Name	Initial Value	R/W	Description
7, 6	—	Undefined	—	Reserved These bits will return undefined values if read.
5	P35DR	0	R/W	Output data for a pin is stored when the pin function is specified to a general I/O port.
4	P34DR	0	R/W	
3	P33DR	0	R/W	
2	P32DR	0	R/W	
1	P31DR	0	R/W	
0	P30DR	0	R/W	

### 7.2.3 Port 3 Register (PORT3)

PORT3 shows port 3 pin states. PORT3 cannot be modified.

Bit	Bit Name	Initial Value	R/W	Description
7, 6	—	Undefined	—	Reserved These bits will return undefined values if read.
5	P35	Undefined*	R	If a port 3 read is performed while P3DDR bits are set to 1, the P3DR values are read. If a port 3 read is performed while P3DDR bits are cleared to 0, the pin states are read.
4	P34	Undefined*	R	
3	P33	Undefined*	R	
2	P32	Undefined*	R	
1	P31	Undefined*	R	
0	P30	Undefined*	R	

Note: \* Determined by the states of pins P35 to P30.

### 7.2.4 Port 3 Open-Drain Control Register (P3ODR)

P3ODR selects the output type of port 3.

Bit	Bit Name	Initial Value	R/W	Description
7, 6	—	Undefined	—	Reserved These bits will return undefined values if read.
5	P35ODR	0	R/W	Setting this bit to 1 turns off the PMOS of the corresponding pin, and if the pin function is specified to output, makes it an open-drain output pin, while clearing this bit to 0 makes it a push-pull output pin.
4	P34ODR	0	R/W	
3	P33ODR	0	R/W	
2	P32ODR	0	R/W	
1	P31ODR	0	R/W	
0	P30ODR	0	R/W	

### 7.2.5 Pin Functions

Port 3 pins also function as I/O pins for SCI\_0 and SCI\_1, and interrupt input pins. The correspondence between the register specification and the pin functions is shown below.

- P35/SCK1/ $\overline{\text{IRQ5}}$

The pin function is switched as shown below according to the combination of bit C/ $\overline{\text{A}}$  in SMR and bits CKE0 and CKE1 in SCR of SCI\_1, and bit P35DDR.

CKE1	0			1	
C/ $\overline{\text{A}}$	0		1	—	
CKE0	0		1	—	—
P35DDR	0	1	—	—	—
Pin function	P35 input	P35 output	SCK1 output	SCK1 output	SCK1 input
	$\overline{\text{IRQ5}}$ input				

- P34/RxD1

The pin function is switched as shown below according to the combination of bit RE in SCR of SCI\_1 and bit P34DDR.

RE	0		1
P34DDR	0	1	—
Pin function	P34 input	P34 output	RxD1 input

- P33/TxD1

The pin function is switched as shown below according to the combination of bit TE in SCR of SCI\_1 and bit P33DDR.

TE	0		1
P33DDR	0	1	—
Pin function	P33 input	P33 output	TxD1 output

- P32/SCK0/ $\overline{\text{IRQ4}}$

The pin function is switched as shown below according to the combination of bit  $\overline{\text{C/A}}$  in SMR and bits CKE0 and CKE1 in SCR of SCI\_0, and bit P32DDR.

CKE1	0			1	
$\overline{\text{C/A}}$	0		1	—	
CKE0	0		1	—	—
P32DDR	0	1	—	—	—
Pin function	P32 input	P32 output	SCK0 output	SCK0 output	SCK0 input
	$\overline{\text{IRQ4}}$ input				

- P31/RxD0

The pin function is switched as shown below according to the combination of bit RE in SCR of SCI\_0 and bit P31DDR.

RE	0		1
P31DDR	0	1	—
Pin function	P31 input	P31 output	RxD0 input

- P30/TxD0

The pin function is switched as shown below according to the combination of bit TE in SCR of SCI\_0 and bit P30DDR.

TE	0		1
P30DDR	0	1	—
Pin function	P30 input	P30 output	TxD0 input



## 7.3 Port 4

Port 4 is an input port that functions as both 8-bit analog input and LCD segment output pins\*. Port 4 has the following register.

- Port 4 register (PORT4)

Note: \* H8S/2280 Group (HD64F2280RB) only.

### 7.3.1 Port 4 Register (PORT4)

PORT4 shows port 4 pin states. PORT4 cannot be modified.

Bit	Bit Name	Initial Value	R/W	Description
7	P47	Undefined*	R	The pin states are always read when a port 4 read is performed.
6	P46	Undefined*	R	
5	P45	Undefined*	R	
4	P44	Undefined*	R	
3	P43	Undefined*	R	
2	P42	Undefined*	R	
1	P41	Undefined*	R	
0	P40	Undefined*	R	

Note: \* Determined by the states of pins P47 to P40.

### 7.3.2 Pin Functions

#### H8S/2282 Group and H8S/2280 Group (HD64F2280B)

Port 4 is an input port that also functions as analog input pins.

#### H8S/2280 Group (HD64F2280RB)

Port 4 pins functions as both analog input pins and LCD segment output pins. The correspondence between register setting values and pin functions is as follows.

- P47/AN7, P46/AN6, P45/AN5, P44/AN4, P43/AN3, P42/AN2

The analog input port also functions as analog input pins.

- P41/SEG4, P40/SEG3

The pin functions are switched as shown below according to the combination of SGS3 to SGS0 in LPCR of the LCD.

SGS3 to SGS0	Other than 0111	0111
Pin function	P41, P40 input	SGS4, SGS3 output

## 7.4 Port A

Port A is an 8-bit I/O port that also has other functions. Port A has the following registers.

- Port A data direction register (PADDDR)
- Port A data register (PADR)
- Port A register (PORTA)
- Port A open-drain control register (PAODR)

### 7.4.1 Port A Data Direction Register (PADDDR)

The individual bits of PADDDR specify input or output for the pins of port A.

Bit	Bit Name	Initial Value	R/W	Description
7	PA7DDR	0	W	When a pin function is specified to a general I/O port, setting this bit to 1 makes the corresponding port A pin an output pin, while clearing this bit to 0 makes the pin an input pin.
6	PA6DDR	0	W	
5	PA5DDR	0	W	
4	PA4DDR	0	W	
3	PA3DDR	0	W	
2	PA2DDR	0	W	
1	PA1DDR	0	W	
0	PA0DDR	0	W	

### 7.4.2 Port A Data Register (PADR)

PADR stores output data for the port A pins.

Bit	Bit Name	Initial Value	R/W	Description
7	PA7DR	0	R/W	Output data for a pin is stored when the pin function is specified to a general I/O port.
6	PA6DR	0	R/W	
5	PA5DR	0	R/W	
4	PA4DR	0	R/W	
3	PA3DR	0	R/W	
2	PA2DR	0	R/W	
1	PA1DR	0	R/W	
0	PA0DR	0	R/W	

### 7.4.3 Port A Register (PORTA)

PORTA shows port A pin states. PORTA cannot be modified.

Bit	Bit Name	Initial Value	R/W	Description
7	PA7	Undefined*	R	If a port A read is performed while PADDR bits are set to 1, the PADR values are read. If a port A read is performed while PADDR bits are cleared to 0, the pin states are read.
6	PA6	Undefined*	R	
5	PA5	Undefined*	R	
4	PA4	Undefined*	R	
3	PA3	Undefined*	R	
2	PA2	Undefined*	R	
1	PA1	Undefined*	R	
0	PA0	Undefined*	R	

Note: \* Determined by the states of pins PA7 to PA0.

#### 7.4.4 Port A Open Drain Control Register (PAODR)

PAODR selects the output type of port A.

Bit	Bit Name	Initial Value	R/W	Description
7	PA7ODR	0	R/W	Setting this bit to 1 turns off the PMOS of the corresponding pin, and if the pin function is specified to output, makes it an open-drain output pin, while clearing this bit to 0 makes it a push-pull output pin.
6	PA6ODR	0	R/W	
5	PA5ODR	0	R/W	
4	PA4ODR	0	R/W	
3	PA3ODR	0	R/W	
2	PA2ODR	0	R/W	
1	PA1ODR	0	R/W	
0	PA0ODR	0	R/W	

#### 7.4.5 H8S/2282 Group and H8S/2280 Group (HD64F2280B) Pin Functions

Port A pins also function as segment output pins and common output pins of the LCD. The correspondence between the register specification and the pin functions is shown below.

- PA7/SEG28, PA6/SEG27, PA5/SEG26, PA4/SEG25

The pin function is switched as shown below according to the combination of bits SGS3 to SGS0 in LPCR of the LCD and bit PAnDDR.

SGS3 to SGS0	0000		Other than 0000
PAnDDR	0	1	—
Pin function	PA7 to PA4 input	PA7 to PA4 output	SEG28 to SEG25 output

n = 7 to 4

- PA3/COM4, PA2/COM3, PA1/COM2, PA0/COM1

The pin function is switched as shown below according to the combination of bits SGS3 to SGS0 in LPCR of the LCD and bit PAnDDR.

SGS3 to SGS0	0000		Other than 0000
PAnDDR	0	1	—
Pin function	PA3 to PA0 input	PA3 to PA0 output	COM4 to COM1 output

n = 3 to 0

### 7.4.6 H8S/2280 Group (HD64F2280RB) Pin Functions

Port A pins also function as segment output pins and common output pins of the LCD. The correspondence between the register specification and the pin functions is shown below.

- PA7/SEG32, PA6/SEG31, PA5/SEG30, PA4/SEG29

The pin function is switched as shown below according to the combination of bits SGS3 to SGS0 in LPCR of the LCD and bit PAnDDR.

SGS3 to SGS0	0000		Other than 0000
PAnDDR	0	1	—
Pin function	PA7 to PA4 input	PA7 to PA4 output	SEG32 to SEG29 output

n = 7 to 4

- PA3/COM4, PA2/COM3, PA1/COM2, PA0/COM1

The pin function is switched as shown below according to the combination of bits SGS3 to SGS0 in LPCR of the LCD and bit PAnDDR.

SGS3 to SGS0	0000		Other than 0000
PAnDDR	0	1	—
Pin function	PA3 to PA0 input	PA3 to PA0 output	COM4 to COM1 output

n = 3 to 0

## 7.5 Port B

Port B is an 8-bit I/O port that also has other functions. Port B has the following registers.

- Port B data direction register (PBDDR)
- Port B data register (PBDR)
- Port B register (PORTB)
- Port B open-drain control register (PBODR)

### 7.5.1 Port B Data Direction Register (PBDDR)

The individual bits of PBDDR specify input or output for the pins of port B.

Bit	Bit Name	Initial Value	R/W	Description
7	PB7DDR	0	W	When a pin function is specified to a general I/O port, setting this bit to 1 makes the corresponding port 1 pin an output pin, while clearing this bit to 0 makes the pin an input pin.
6	PB6DDR	0	W	
5	PB5DDR	0	W	
4	PB4DDR	0	W	
3	PB3DDR	0	W	
2	PB2DDR	0	W	
1	PB1DDR	0	W	
0	PB0DDR	0	W	

### 7.5.2 Port B Data Register (PBDR)

PBDR stores output data for the port B pins.

Bit	Bit Name	Initial Value	R/W	Description
7	PB7DR	0	R/W	Output data for a pin is stored when the pin function is specified to a general I/O port.
6	PB6DR	0	R/W	
5	PB5DR	0	R/W	
4	PB4DR	0	R/W	
3	PB3DR	0	R/W	
2	PB2DR	0	R/W	
1	PB1DR	0	R/W	
0	PB0DR	0	R/W	

### 7.5.3 Port B Register (PORTB)

PORTB shows port B pin states. PORTB cannot be modified.

Bit	Bit Name	Initial Value	R/W	Description
7	PB7	Undefined*	R	If a port B read is performed while PBDDR bits are set to 1, the PBDR values are read. If a port B read is performed while PBDDR bits are cleared to 0, the pin states are read.
6	PB6	Undefined*	R	
5	PB5	Undefined*	R	
4	PB4	Undefined*	R	
3	PB3	Undefined*	R	
2	PB2	Undefined*	R	
1	PB1	Undefined*	R	
0	PB0	Undefined*	R	

Note: \* Determined by the states of pins PB7 to PB0.



### 7.5.4 Port B Open Drain Control Register (PBODR)

PBODR selects the output type of port B.

Bit	Bit Name	Initial Value	R/W	Description
7	PB7ODR	0	R/W	Setting this bit to 1 turns off the PMOS of the corresponding pin, and if the pin function is specified to output, makes it an open-drain output pin, while clearing this bit to 0 makes it a push-pull output pin.
6	PB6ODR	0	R/W	
5	PB5ODR	0	R/W	
4	PB4ODR	0	R/W	
3	PB3ODR	0	R/W	
2	PB2ODR	0	R/W	
1	PB1ODR	0	R/W	
0	PB0ODR	0	R/W	

### 7.5.5 H8S/2282 Group and H8S/2280 Group (HD64F2280B) Pin Functions

Port B pins also function as segment output pins of the LCD. The correspondence between the register specification and the pin functions is shown below.

- PB7/SEG20, PB6/SEG19, PB5/SEG18, PB4/SEG17

The pin function is switched as shown below according to the combination of bits SGS3 to SGS0 in LPCR of the LCD and bit PBnDDR.

SGS3 to SGS0	0000 or 0001		Other than 0000 or 0001
PBnDDR	0	1	—
Pin function	PB7 to PB4 input	PB7 to PB4 output	SEG20 to SEG17 output

n = 7 to 4

- PB3/SEG16, PB2/SEG15, PB1/SEG14, PB0/SEG13

The pin function is switched as shown below according to the combination of bits SGS3 to SGS0 in LPCR of the LCD and bit PBnDDR.

SGS3 to SGS0	0000 to 0010		Other than 0000 to 0010
PBnDDR	0	1	—
Pin function	PB3 to PB0 input	PB3 to PB0 output	SEG16 to SEG13 output

n = 3 to 0

### 7.5.6 H8S/2280 Group (HD64F2280RB) Pin Functions

Port B pins also function as segment output pins of the LCD. The correspondence between the register specification and the pin functions is shown below.

- PB7/SEG24, PB6/SEG23, PB5/SEG22, PB4/SEG21

The pin function is switched as shown below according to the combination of bits SGS3 to SGS0 in LPCR of the LCD and bit PBnDDR.

SGS3 to SGS0	0000 or 0001		Other than 0000 or 0001
PBnDDR	0	1	—
Pin function	PB7 to PB4 input	PB7 to PB4 output	SEG24 to SEG21 output

n = 7 to 4

- PB3/SEG20, PB2/SEG19, PB1/SEG18, PB0/SEG17

The pin function is switched as shown below according to the combination of bits SGS3 to SGS0 in LPCR of the LCD and bit PBnDDR.

SGS3 to SGS0	0000 to 0010		Other than 0000 to 0010
PBnDDR	0	1	—
Pin function	PB3 to PB0 input	PB3 to PB0 output	SEG20 to SEG17 output

n = 3 to 0

## 7.6 Port C

Port C is an 8-bit I/O port that also has other functions. Port C has the following registers.

- Port C data direction register (PCDDR)
- Port C data register (PCDR)
- Port C register (PORTC)
- Port C open-drain control register (PCODR)

### 7.6.1 Port C Data Direction Register (PCDDR)

The individual bits of PCDDR specify input or output for the pins of port C.

Bit	Bit Name	Initial Value	R/W	Description
7	PC7DDR	0	W	When a pin function is specified to a general I/O port, setting this bit to 1 makes the corresponding port 1 pin an output pin, while clearing this bit to 0 makes the pin an input pin.
6	PC6DDR	0	W	
5	PC5DDR	0	W	
4	PC4DDR	0	W	
3	PC3DDR	0	W	
2	PC2DDR	0	W	
1	PC1DDR	0	W	
0	PC0DDR	0	W	

### 7.6.2 Port C Data Register (PCDR)

PCDR stores output data for the port C pins.

Bit	Bit Name	Initial Value	R/W	Description
7	PC7DR	0	R/W	Output data for a pin is stored when the pin function is specified to a general I/O port.
6	PC6DR	0	R/W	
5	PC5DR	0	R/W	
4	PC4DR	0	R/W	
3	PC3DR	0	R/W	
2	PC2DR	0	R/W	
1	PC1DR	0	R/W	
0	PC0DR	0	R/W	

### 7.6.3 Port C Register (PORTC)

PORTC shows port C pin states. PORTC cannot be modified.

Bit	Bit Name	Initial Value	R/W	Description
7	PC7	Undefined*	R	If a port C read is performed while PCDDR bits are set to 1, the PCDR values are read. If a port C read is performed while PCDDR bits are cleared to 0, the pin states are read.
6	PC6	Undefined*	R	
5	PC5	Undefined*	R	
4	PC4	Undefined*	R	
3	PC3	Undefined*	R	
2	PC2	Undefined*	R	
1	PC1	Undefined*	R	
0	PC0	Undefined*	R	

Note: \* Determined by the states of pins PC7 to PC0.

### 7.6.4 Port C Open Drain Control Register (PCODR)

PCODR selects the output type of port C.

Bit	Bit Name	Initial Value	R/W	Description
7	PC7ODR	0	R/W	Setting this bit to 1 turns off the PMOS of the corresponding pin, and if the pin function is specified to output, makes it an open-drain output pin, while clearing this bit to 0 makes it a push-pull output pin.
6	PC6ODR	0	R/W	
5	PC5ODR	0	R/W	
4	PC4ODR	0	R/W	
3	PC3ODR	0	R/W	
2	PC2ODR	0	R/W	
1	PC1ODR	0	R/W	
0	PC0ODR	0	R/W	

### 7.6.5 H8S/2282 Group and H8S/2280 Group (HD64F2280B) Pin Functions

Port C pins also function as segment output pins of the LCD. The correspondence between the register specification and the pin functions is shown below.

- PC7/SEG12, PC6/SEG11, PC5/SEG10, PC4/SEG9

The pin function is switched as shown below according to the combination of bits SGS3 to SGS0 in LPCR of the LCD and bit PCnDDR.

SGS3 to SGS0	0000 to 0011		Other than 0000 to 0011
PCnDDR	0	1	—
Pin function	PC7 to PC4 input	PC7 to PC4 output	SEG12 to SEG9 output

n = 7 to 4

- PC3/SEG8, PC2/SEG7, PC1/SEG6, PC0/SEG5

The pin function is switched as shown below according to the combination of bits SGS3 to SGS0 in LPCR of the LCD and bit PCnDDR.

SGS3 to SGS0	0000 to 0100		Other than 0000 to 0100
PCnDDR	0	1	—
Pin function	PC3 to PC0 input	PC3 to PC0 output	SEG8 to SEG5 output

n = 3 to 0

### 7.6.6 H8S/2280 Group (HD64F2280RB) Pin Functions

Port C pins also function as segment output pins of the LCD. The correspondence between the register specification and the pin functions is shown below.

- PC7/SEG16, PC6/SEG15, PC5/SEG14, PC4/SEG13

The pin function is switched as shown below according to the combination of bits SGS3 to SGS0 in LPCR of the LCD and bit PCnDDR.

SGS3 to SGS0	0000 to 0011		Other than 0000 to 0011
PCnDDR	0	1	—
Pin function	PC7 to PC4 input	PC7 to PC4 output	SEG16 to SEG13 output

n = 7 to 4

- PC3/SEG12, PC2/SEG11, PC1/SEG10, PC0/SEG9

The pin function is switched as shown below according to the combination of bits SGS3 to SGS0 in LPCR of the LCD and bit PCnDDR.

SGS3 to SGS0	0000 to 0100		Other than 0000 to 0100
PCnDDR	0	1	—
Pin function	PC3 to PC0 input	PC3 to PC0 output	SEG12 to SEG9 output

n = 3 to 0

## 7.7 Port D

Port D is a 4-bit I/O port that also has other functions. Port D has the following registers.

- Port D data direction register (PDDDR)
- Port D data register (PDDR)
- Port D register (PORTD)

### 7.7.1 Port D Data Direction Register (PDDDR)

The individual bits of PDDDR specify input or output for the pins of port D.

Bit	Bit Name	Initial Value	R/W	Description
7	PD7DDR	0	W	When a pin function is specified to a general I/O port, setting this bit to 1 makes the corresponding port 1 pin an output pin, while clearing this bit to 0 makes the pin an input pin.
6	PD6DDR	0	W	
5	PD5DDR	0	W	
4	PD4DDR	0	W	
3 to 0	—	Undefined	—	Reserved These bits will return undefined values if read.

### 7.7.2 Port D Data Register (PDDR)

PDDR stores output data for the port D pins.

Bit	Bit Name	Initial Value	R/W	Description
7	PD7DR	0	R/W	Output data for a pin is stored when the pin function is specified to a general I/O port.
6	PD6DR	0	R/W	
5	PD5DR	0	R/W	
4	PD4DR	0	R/W	
3 to 0	—	Undefined	—	Reserved These bits will return undefined values if read.

### 7.7.3 Port D Register (PORTD)

PORTD shows port D pin states. PORTD cannot be modified.

Bit	Bit Name	Initial Value	R/W	Description
7	PD7	Undefined*	R	If a port D read is performed while PDDDR bits are set to 1, the PDDR values are read. If a port D read is performed while PDDDR bits are cleared to 0, the pin states are read.
6	PD6	Undefined*	R	
5	PD5	Undefined*	R	
4	PD4	Undefined*	R	
3 to 0	—	Undefined	—	Reserved

These bits will return undefined values if read.

Note: \* Determined by the states of pins PD7 to PD4.

### 7.7.4 H8S/2282 Group and H8S/2280 Group (HD64F2280B) Pin Functions

Port D pins also function as segment output pins of the LCD. The correspondence between the register specification and the pin functions is shown below.

- PD7/SEG4, PD6/SEG3, PD5/SEG2, PD4/SEG1

The pin function is switched as shown below according to the combination of bits SGS3 to SGS0 in LPCR of the LCD and bit PDnDDR.

SGS3 to SGS0	Other than 0110		0110
	0	1	—
PDnDDR			
Pin function	PD7 to PD4 input	PD7 to PD4 output	SEG4 to SEG1 output

n = 7 to 4



### 7.7.5 H8S/2280 Group (HD64F2280RB) Pin Functions

Port D pins also function as segment output pins of the LCD. The correspondence between the register specification and the pin functions is shown below.

- PD7/SEG8, PD6/SEG7, PD5/SEG6, PD4/SEG5

The pin function is switched as shown below according to the combination of bits SGS3 to SGS0 in LPCR of the LCD and bit PDnDDR.

SGS3 to SGS0	Other than 0110 or 0111		0110 or 0111
PDnDDR	0	1	—
Pin function	PD7 to PD4 input	PD7 to PD4 output	SEG8 to SEG5 output

n = 7 to 4

## 7.8 Port F

Port F is an 8-bit I/O port that also has other functions. Port F has the following registers.

- Port F data direction register (PFDDR)
- Port F data register (PFDR)
- Port F register (PORTF)

### 7.8.1 Port F Data Direction Register (PFDDR)

The individual bits of PFDDR specify input or output for the pins of port F.

Bit	Bit Name	Initial Value	R/W	Description
7	PF7DDR	0	W	When the pin function is specified to a general I/O port, setting this bit to 1 makes the PF7 pin the $\phi$ output pin, while clearing this bit to 0 makes the pin an input pin.
6	PF6DDR	0	W	When a pin function is specified to a general I/O port, setting this bit to 1 makes the corresponding port F pin an output pin, while clearing this bit to 0 makes the pin an input pin.
5	PF5DDR	0	W	
4	PF4DDR	0	W	
3	PF3DDR	0	W	
2	PF2DDR	0	W	
1	PF1DDR*	0	W	
0	PF0DDR*	0	W	

Note: \* In the H8S/2282 Group these bits are reserved. Undefined values are output when they are read.

### 7.8.2 Port F Data Register (PFDR)

PFDR stores output data for the port F pins.

Bit	Bit Name	Initial Value	R/W	Description
7	—	0	R/W	Reserved Only 0 should be written to this bit.
6	PF6DR	0	R/W	Output data for a pin is stored when the pin function is specified to a general I/O port.
5	PF5DR	0	R/W	
4	PF4DR	0	R/W	
3	PF3DR	0	R/W	
2	PF2DR	0	R/W	
1	PF1DR*	0	R/W	
0	PF0DR*	0	R/W	

Note: \* In the H8S/2282 Group these bits are reserved. Undefined values are output when they are read.

### 7.8.3 Port F Register (PORTF)

PORTF shows port F pin states. PORTF cannot be modified.

Bit	Bit Name	Initial Value	R/W	Description
7	PF7	Undefined* <sup>1</sup>	R	If a port F read is performed while PFDDR bits are set to 1, the PFDR values are read. If a port F read is performed while PFDDR bits are cleared to 0, the pin states are read.
6	PF6	Undefined* <sup>1</sup>	R	
5	PF5	Undefined* <sup>1</sup>	R	
4	PF4	Undefined* <sup>1</sup>	R	
3	PF3	Undefined* <sup>1</sup>	R	
2	PF2	Undefined* <sup>1</sup>	R	
1	PF1* <sup>2</sup>	Undefined* <sup>1</sup>	R	
0	PF0* <sup>2</sup>	Undefined* <sup>1</sup>	R	

Notes: 1. Determined by the states of pins PF7 to PF0.

2. In the H8S/2282 Group these bits are reserved. Undefined values are output when they are read.

### 7.8.4 H8S/2282 Group and H8S/2280 Group (HD64F2280B) Pin Functions

Port F pins also function as an external interrupt input pin, an A/D converter start trigger input pin, segment output pins of the LCD, and a system clock output pin. The correspondence between the register specification and the pin functions is shown below.

- PF7/ $\phi$

The pin function is switched as shown below according to bit PF7DDR.

PF7DDR	0	1
Pin function	PF7 input	$\phi$ output

- PF6/SEG24

The pin function is switched as shown below according to the combination of bits SGS3 to SGS0 in LPCR of the LCD and bit PF6DDR.

SGS3 to SGS0	0000		Other than 0000
PF6DDR	0	1	—
Pin function	PF6 input	PF6 output	SEG24 output

- PF5/SEG23

The pin function is switched as shown below according to the combination of bits SGS3 to SGS0 in LPCR of the LCD and bit PF5DDR.

SGS3 to SGS0	0000		Other than 0000
PF5DDR	0	1	—
Pin function	PF5 input	PF5 output	SEG23 output

- PF4/SEG22

The pin function is switched as shown below according to the combination of bits SGS3 to SGS0 in LPCR of the LCD and bit PF4DDR.

SGS3 to SGS0	0000		Other than 0000
PF4DDR	0	1	—
Pin function	PF4 input	PF4 output	SEG22 output

- PF3/ $\overline{\text{ADTRG}}$ / $\overline{\text{IRQ3}}$

The pin function is switched as shown below according to the combination of bits TRGS1 and TRGS0 in ADCR of the A/D converter and bit PF3DDR.

PF3DDR	0	1
Pin function	PF3 input	PF3 output
	$\overline{\text{ADTRG}}$ input*	
	$\overline{\text{IRQ3}}$ input	

Note: \* When TRGS1 = 1 and TRGS0 = 1, it becomes  $\overline{\text{ADTRG}}$  input.

- PF2/SEG21

The pin function is switched as shown below according to the combination of bits SGS3 to SGS0 in LPCR of the LCD and bit PF2DDR.

SGS3 to SGS0	0000		Other than 0000
PF2DDR	0	1	—
Pin function	PF2 input	PF2 output	SEG21 output

- PF1 (H8S/2280 Group (HD64F2280B) only)

The pin function is switched as shown below according to the value of bit PF1DDR.

PF1DDR	0	1
Pin function	PF1 input	PF1 output

- PF0/ $\overline{\text{IRQ2}}$  (H8S/2280 Group (HD64F2280B) only)

The pin function is switched as shown below according to the value of bit PF0DDR.

PF0DDR	0	1
Pin function	PF0 input	PF0 output
	$\overline{\text{IRQ2}}$ input	

### 7.8.5 H8S/2280 Group (HD64F2280RB) Pin Functions

Port F pins also function as an external interrupt input pin, an A/D converter start trigger input pin, segment output pins of the LCD, and a system clock output pin. The correspondence between the register specification and the pin functions is shown below.

- PF7/ $\phi$

The pin function is switched as shown below according to bit PF7DDR.

PF7DDR	0	1
Pin function	PF7 input	$\phi$ output

- PF6/SEG28

The pin function is switched as shown below according to the combination of bits SGS3 to SGS0 in LPCR of the LCD and bit PF6DDR.

SGS3 to SGS0	0000		Other than 0000
PF6DDR	0	1	—
Pin function	PF6 input	PF6 output	SEG28 output

- PF5/SEG27

The pin function is switched as shown below according to the combination of bits SGS3 to SGS0 in LPCR of the LCD and bit PF5DDR.

SGS3 to SGS0	0000		Other than 0000
PF5DDR	0	1	—
Pin function	PF5 input	PF5 output	SEG27 output

- PF4/SEG26

The pin function is switched as shown below according to the combination of bits SGS3 to SGS0 in LPCR of the LCD and bit PF4DDR.

SGS3 to SGS0	0000		Other than 0000
PF4DDR	0	1	—
Pin function	PF4 input	PF4 output	SEG26 output

- PF3/ $\overline{\text{ADTRG}}$ / $\overline{\text{IRQ3}}$

The pin function is switched as shown below according to the combination of bits TRGS1 and TRGS0 in ADCR of the A/D converter and bit PF3DDR.

PF3DDR	0	1
Pin function	PF3 input	PF3 output
	$\overline{\text{ADTRG}}$ input*	
	$\overline{\text{IRQ3}}$ input	

Note: \* When TRGS1 = 1 and TRGS0 = 1, it becomes  $\overline{\text{ADTRG}}$  input.

- PF2/SEG25

The pin function is switched as shown below according to the combination of bits SGS3 to SGS0 in LPCR of the LCD and bit PF2DDR.

SGS3 to SGS0	0000		Other than 0000
PF2DDR	0	1	—
Pin function	PF2 input	PF2 output	SEG25 output

- PF1/SEG2

The pin function is switched as shown below according to the combination of bits SGS3 to SGS0 in LPCR of the LCD and bit PF1DDR.

SGS3 to SGS0	Other than 0111		0111
PF1DDR	0	1	—
Pin function	PF1 input	PF1 output	SEG2 output

- PF0/ $\overline{\text{IRQ2}}$ /SEG1

The pin function is switched as shown below according to the combination of bits SGS3 to SGS0 in LPCR of the LCD and bit PF0DDR.

SGS3 to SGS0	Other than 0111		0111
PF0DDR	0	1	—
Pin function	PF0 input	PF0 output	SEG1 output
	$\overline{\text{IRQ2}}$ input		

## 7.9 Port H

Port H is an 8-bit I/O port that also has other functions. Port H has the following registers.

- Port H data direction register (PHDDR)
- Port H data register (PHDR)
- Port H register (PORTH)

### 7.9.1 Port H Data Direction Register (PHDDR)

The individual bits of PHDDR specify input or output for the pins of port H.

Bit	Bit Name	Initial Value	R/W	Description
7	PH7DDR	0	W	When a pin function is specified to a general I/O port, setting this bit to 1 makes the corresponding port 1 pin an output pin, while clearing this bit to 0 makes the pin an input pin.
6	PH6DDR	0	W	
5	PH5DDR	0	W	
4	PH4DDR	0	W	
3	PH3DDR	0	W	
2	PH2DDR	0	W	
1	PH1DDR	0	W	
0	PH0DDR	0	W	

---



### 7.9.2 Port H Data Register (PHDR)

PHDR stores output data for the port H pins.

Bit	Bit Name	Initial Value	R/W	Description
7	PH7DR	0	R/W	Output data for a pin is stored when the pin function is specified to a general I/O port.
6	PH6DR	0	R/W	
5	PH5DR	0	R/W	
4	PH4DR	0	R/W	
3	PH3DR	0	R/W	
2	PH2DR	0	R/W	
1	PH1DR	0	R/W	
0	PH0DR	0	R/W	

### 7.9.3 Port H Register (PORTH)

PORTH shows port H pin states. PORTH cannot be modified.

Bit	Bit Name	Initial Value	R/W	Description
7	PH7	Undefined*	R	If a port H read is performed while PHDDR bits are set to 1, the PHDR values are read. If a port H read is performed while PHDDR bits are cleared to 0, the pin states are read.
6	PH6	Undefined*	R	
5	PH5	Undefined*	R	
4	PH4	Undefined*	R	
3	PH3	Undefined*	R	
2	PH2	Undefined*	R	
1	PH1	Undefined*	R	
0	PH0	Undefined*	R	

Note: \* Determined by the states of pins PH7 to PH0.

### 7.9.4 Pin Functions

Port H pins also function as the PWM\_1 output pins. The correspondence between the register specification and the pin functions is shown below.

- PH7/PWM1H

The pin function is switched as shown below according to the combination of bit OE1H in PWOCR\_1 of PWM\_1 and bit PH7DDR.

OE1H	0		1
PH7DDR	0	1	—
Pin function	PH7 input	PH7 output	PWM1H output

- PH6/PWM1G

The pin function is switched as shown below according to the combination of bit OE1G in PWOCR\_1 of PWM\_1 and bit PH6DDR.

OE1G	0		1
PH6DDR	0	1	—
Pin function	PH6 input	PH6 output	PWM1G output

- PH5/PWM1F

The pin function is switched as shown below according to the combination of bit OE1F in PWOCR\_1 of PWM\_1 and bit PH5DDR.

OE1F	0		1
PH5DDR	0	1	—
Pin function	PH5 input	PH5 output	PWM1F output

- PH4/PWM1E

The pin function is switched as shown below according to the combination of bit OE1E in PWOCR\_1 of PWM\_1 and bit PH4DDR.

OE1E	0		1
PH4DDR	0	1	—
Pin function	PH4 input	PH4 output	PWM1E output

- PH3/PWM1D

The pin function is switched as shown below according to the combination of bit OE1D in PWOCR\_1 of PWM\_1 and bit PH3DDR.

OE1D	0		1
PH3DDR	0	1	—
Pin function	PH3 input	PH3 output	PWM1D output

- PH2/PWM1C

The pin function is switched as shown below according to the combination of bit OE1C in PWOCR\_1 of PWM\_1 and bit PH2DDR.

OE1C	0		1
PH2DDR	0	1	—
Pin function	PH2 input	PH2 output	PWM1C output

- PH1/PWM1B

The pin function is switched as shown below according to the combination of bit OE1B in PWOCR\_1 of PWM\_1 and bit PH1DDR.

OE1B	0		1
PH1DDR	0	1	—
Pin function	PH1 input	PH1 output	PWM1B output

- PH0/PWM1A

The pin function is switched as shown below according to the combination of bit OE1A in PWOCR\_1 of PWM\_1 and bit PH0DDR.

OE1A	0		1
PH0DDR	0	1	—
Pin function	PH0 input	PH0 output	PWM1A output

## 7.10 Port J

Port J is an 8-bit I/O port that also has other functions. Port J has the following registers.

- Port J data direction register (PJDDR)
- Port J data register (PJDR)
- Port J register (PORTJ)

### 7.10.1 Port J Data Direction Register (PJDDR)

The individual bits of PJDDR specify input or output for the pins of port J.

Bit	Bit Name	Initial Value	R/W	Description
7	PJ7DDR	0	W	When a pin function is specified to a general I/O port, setting this bit to 1 makes the corresponding port 1 pin an output pin, while clearing this bit to 0 makes the pin an input pin.
6	PJ6DDR	0	W	
5	PJ5DDR	0	W	
4	PJ4DDR	0	W	
3	PJ3DDR	0	W	
2	PJ2DDR	0	W	
1	PJ1DDR	0	W	
0	PJ0DDR	0	W	

---

### 7.10.2 Port J Data Register (PJDR)

PJDR stores output data for the port J pins.

Bit	Bit Name	Initial Value	R/W	Description
7	PJ7DR	0	R/W	Output data for a pin is stored when the pin function is specified to a general I/O port.
6	PJ6DR	0	R/W	
5	PJ5DR	0	R/W	
4	PJ4DR	0	R/W	
3	PJ3DR	0	R/W	
2	PJ2DR	0	R/W	
1	PJ1DR	0	R/W	
0	PJ0DR	0	R/W	

### 7.10.3 Port J Register (PORTJ)

PORTJ shows port J pin states. PORTJ cannot be modified.

Bit	Bit Name	Initial Value	R/W	Description
7	PJ7	Undefined*	R	If a port J read is performed while PJDDR bits are set to 1, the PJDR values are read. If a port J read is performed while PJDDR bits are cleared to 0, the pin states are read.
6	PJ6	Undefined*	R	
5	PJ5	Undefined*	R	
4	PJ4	Undefined*	R	
3	PJ3	Undefined*	R	
2	PJ2	Undefined*	R	
1	PJ1	Undefined*	R	
0	PJ0	Undefined*	R	

Note: \* Determined by the states of pins PJ7 to PJ0.

### 7.10.4 Pin Functions

Port J pins also function as the PWM\_2 output pins. The correspondence between the register specification and the pin functions is shown below.

- PJ7/PWM2H

The pin function is switched as shown below according to the combination of bit OE2H in PWOCR\_2 of PWM\_2 and bit PJ7DDR.

OE2H	0		1
PJ7DDR	0	1	—
Pin function	PJ7 input	PJ7 output	PWM2H output

- PJ6/PWM2G

The pin function is switched as shown below according to the combination of bit OE2G in PWOCR\_2 of PWM\_2 and bit PJ6DDR.

OE2G	0		1
PJ6DDR	0	1	—
Pin function	PJ6 input	PJ6 output	PWM2G output

- PJ5/PWM2F

The pin function is switched as shown below according to the combination of bit OE2F in PWOCR\_2 of PWM\_2 and bit PJ5DDR.

OE2F	0		1
PJ5DDR	0	1	—
Pin function	PJ5 input	PJ5 output	PWM2F output

- PJ4/PWM2E

The pin function is switched as shown below according to the combination of bit OE2E in PWOCR\_2 of PWM\_2 and bit PJ4DDR.

OE2E	0		1
PJ4DDR	0	1	—
Pin function	PJ4 input	PJ4 output	PWM2E output

- PJ3/PWM2D

The pin function is switched as shown below according to the combination of bit OE2D in PWOCR\_2 of PWM\_2 and bit PJ3DDR.

OE2D	0		1
PJ3DDR	0	1	—
Pin function	PJ3 input	PJ3 output	PWM2D output

- PJ2/PWM2C

The pin function is switched as shown below according to the combination of bit OE2C in PWOCR\_2 of PWM\_2 and bit PJ2DDR.

OE2C	0		1
PJ2DDR	0	1	—
Pin function	PJ2 input	PJ2 output	PWM2C output

- PJ1/PWM2B

The pin function is switched as shown below according to the combination of bit OE2B in PWOCR\_2 of PWM\_2 and bit PJ1DDR.

OE2B	0		1
PJ1DDR	0	1	—
Pin function	PJ1 input	PJ1 output	PWM2B output

- PJ0/PWM2A

The pin function is switched as shown below according to the combination of bit OE2A in PWOCR\_2 of PWM\_2 and bit PJ0DDR.

OE2A	0		1
PJ0DDR	0	1	—
Pin function	PJ0 input	PJ0 output	PWM2A output

## 7.11 Pin Switch Function

The upper or lower 4 bits of port H and port J are switched according to the combination of the TRPB and TRPA bits in TRPRT.

### 7.11.1 Transport Register (TRPRT)

TRPRT specifies the switch of pin functions in port H and port J by the combination of the TRPB and TRPA bits.

Bit	Bit Name	Initial Value	R/W	Description
7 to 2	—	Undefined	—	Reserved These bits will return undefined values if read.
1	TRPB	0	R/W	The pin functions in ports H and J are switched as shown below according to the combination of the TRPB and TRPA bits. 00: Initial value 01: The pin functions of PH3 to PH0 are switched to those of PJ3 to PJ0. 10: The pin functions of PH7 to PH4 are switched to those of PJ7 to PJ4. 11: The pin functions of PH7 to PH4 and PH3 to PH0 are switched to those of PJ7 to PJ4 and PJ3 to PJ0, respectively.
0	TRPA	0	R/W	

### 7.11.2 Reading of Port Registers by Switching the Pin

In reading PORTH and PORTJ, the pins to be read will differ by the TRPB and TRPA bits in TRPRT. Table 7.3 lists the pins of registers to be read by switching the pins.

For the status of the pins to be read in PORTH and PORTJ, see section 7.9.3, Port H Register (PORTH), and section 7.10.3, Port J Register (PORTJ). Set TRPRT before writing to data direction registers (PHDDR and PJDDR) and data registers (PHDR and PJDR).



Table 7.3 Pins of Registers to be Read and PWM Output by Switching Pins

TRPB	TRPA	Port H	Port J																																																																								
0	0	<table border="1"> <tr><td>Pin No.</td><td>46</td><td>45</td><td>44</td><td>43</td><td>40</td><td>39</td><td>38</td><td>37</td></tr> <tr><td>Pin State</td><td>PH7 input/ PWM1H/ PHDR7</td><td>PH6 input/ PWM1G/ PHDR6</td><td>PH5 input/ PWM1F/ PHDR5</td><td>PH4 input/ PWM1E/ PHDR4</td><td>PH3 input/ PWM1D/ PHDR3</td><td>PH2 input/ PWM1C/ PHDR2</td><td>PH1 input/ PWM1B/ PHDR1</td><td>PH0 input/ PWM1A/ PHDR0</td></tr> <tr><td>Bit</td><td>7</td><td>6</td><td>5</td><td>4</td><td>3</td><td>2</td><td>1</td><td>0</td></tr> <tr><td>Read Data</td><td>PH7 input/ PWM1H/ PHDR7</td><td>PH6 input/ PWM1G/ PHDR6</td><td>PH5 input/ PWM1F/ PHDR5</td><td>PH4 input/ PWM1E/ PHDR4</td><td>PH3 input/ PWM1D/ PHDR3</td><td>PH2 input/ PWM1C/ PHDR2</td><td>PH1 input/ PWM1B/ PHDR1</td><td>PH0 input/ PWM1A/ PHDR0</td></tr> </table>	Pin No.	46	45	44	43	40	39	38	37	Pin State	PH7 input/ PWM1H/ PHDR7	PH6 input/ PWM1G/ PHDR6	PH5 input/ PWM1F/ PHDR5	PH4 input/ PWM1E/ PHDR4	PH3 input/ PWM1D/ PHDR3	PH2 input/ PWM1C/ PHDR2	PH1 input/ PWM1B/ PHDR1	PH0 input/ PWM1A/ PHDR0	Bit	7	6	5	4	3	2	1	0	Read Data	PH7 input/ PWM1H/ PHDR7	PH6 input/ PWM1G/ PHDR6	PH5 input/ PWM1F/ PHDR5	PH4 input/ PWM1E/ PHDR4	PH3 input/ PWM1D/ PHDR3	PH2 input/ PWM1C/ PHDR2	PH1 input/ PWM1B/ PHDR1	PH0 input/ PWM1A/ PHDR0	<table border="1"> <tr><td>Pin No.</td><td>56</td><td>55</td><td>54</td><td>53</td><td>50</td><td>49</td><td>48</td><td>47</td></tr> <tr><td>Pin State</td><td>PJ7 input/ PWM2H/ PJDR7</td><td>PJ6 input/ PWM2G/ PJDR6</td><td>PJ5 input/ PWM2F/ PJDR5</td><td>PJ4 input/ PWM2E/ PJDR4</td><td>PJ3 input/ PWM2D/ PJDR3</td><td>PJ2 input/ PWM2C/ PJDR2</td><td>PJ1 input/ PWM2B/ PJDR1</td><td>PJ0 input/ PWM2A/ PJDR0</td></tr> <tr><td>Bit</td><td>7</td><td>6</td><td>5</td><td>4</td><td>3</td><td>2</td><td>1</td><td>0</td></tr> <tr><td>Read Data</td><td>PJ7 input/ PWM2H/ PJDR7</td><td>PJ6 input/ PWM2G/ PJDR6</td><td>PJ5 input/ PWM2F/ PJDR5</td><td>PJ4 input/ PWM2E/ PJDR4</td><td>PJ3 input/ PWM2D/ PJDR3</td><td>PJ2 input/ PWM2C/ PJDR2</td><td>PJ1 input/ PWM2B/ PJDR1</td><td>PJ0 input/ PWM2A/ PJDR0</td></tr> </table>	Pin No.	56	55	54	53	50	49	48	47	Pin State	PJ7 input/ PWM2H/ PJDR7	PJ6 input/ PWM2G/ PJDR6	PJ5 input/ PWM2F/ PJDR5	PJ4 input/ PWM2E/ PJDR4	PJ3 input/ PWM2D/ PJDR3	PJ2 input/ PWM2C/ PJDR2	PJ1 input/ PWM2B/ PJDR1	PJ0 input/ PWM2A/ PJDR0	Bit	7	6	5	4	3	2	1	0	Read Data	PJ7 input/ PWM2H/ PJDR7	PJ6 input/ PWM2G/ PJDR6	PJ5 input/ PWM2F/ PJDR5	PJ4 input/ PWM2E/ PJDR4	PJ3 input/ PWM2D/ PJDR3	PJ2 input/ PWM2C/ PJDR2	PJ1 input/ PWM2B/ PJDR1	PJ0 input/ PWM2A/ PJDR0
		Pin No.	46	45	44	43	40	39	38	37																																																																	
		Pin State	PH7 input/ PWM1H/ PHDR7	PH6 input/ PWM1G/ PHDR6	PH5 input/ PWM1F/ PHDR5	PH4 input/ PWM1E/ PHDR4	PH3 input/ PWM1D/ PHDR3	PH2 input/ PWM1C/ PHDR2	PH1 input/ PWM1B/ PHDR1	PH0 input/ PWM1A/ PHDR0																																																																	
		Bit	7	6	5	4	3	2	1	0																																																																	
Read Data	PH7 input/ PWM1H/ PHDR7	PH6 input/ PWM1G/ PHDR6	PH5 input/ PWM1F/ PHDR5	PH4 input/ PWM1E/ PHDR4	PH3 input/ PWM1D/ PHDR3	PH2 input/ PWM1C/ PHDR2	PH1 input/ PWM1B/ PHDR1	PH0 input/ PWM1A/ PHDR0																																																																			
Pin No.	56	55	54	53	50	49	48	47																																																																			
Pin State	PJ7 input/ PWM2H/ PJDR7	PJ6 input/ PWM2G/ PJDR6	PJ5 input/ PWM2F/ PJDR5	PJ4 input/ PWM2E/ PJDR4	PJ3 input/ PWM2D/ PJDR3	PJ2 input/ PWM2C/ PJDR2	PJ1 input/ PWM2B/ PJDR1	PJ0 input/ PWM2A/ PJDR0																																																																			
Bit	7	6	5	4	3	2	1	0																																																																			
Read Data	PJ7 input/ PWM2H/ PJDR7	PJ6 input/ PWM2G/ PJDR6	PJ5 input/ PWM2F/ PJDR5	PJ4 input/ PWM2E/ PJDR4	PJ3 input/ PWM2D/ PJDR3	PJ2 input/ PWM2C/ PJDR2	PJ1 input/ PWM2B/ PJDR1	PJ0 input/ PWM2A/ PJDR0																																																																			
0	1	<table border="1"> <tr><td>Pin No.</td><td>46</td><td>45</td><td>44</td><td>43</td><td>40</td><td>39</td><td>38</td><td>37</td></tr> <tr><td>Pin State</td><td>PH7 input/ PWM1H/ PHDR7</td><td>PH6 input/ PWM1G/ PHDR6</td><td>PH5 input/ PWM1F/ PHDR5</td><td>PH4 input/ PWM1E/ PHDR4</td><td>PH3 input/ PWM1D/ PHDR3</td><td>PH2 input/ PWM1C/ PHDR2</td><td>PH1 input/ PWM1B/ PHDR1</td><td>PH0 input/ PWM1A/ PHDR0</td></tr> <tr><td>Bit</td><td>7</td><td>6</td><td>5</td><td>4</td><td>3</td><td>2</td><td>1</td><td>0</td></tr> <tr><td>Read Data</td><td>PH7 input/ PWM1H/ PHDR7</td><td>PH6 input/ PWM1G/ PHDR6</td><td>PH5 input/ PWM1F/ PHDR5</td><td>PH4 input/ PWM1E/ PHDR4</td><td>PH3 input/ PWM1D/ PHDR3</td><td>PH2 input/ PWM1C/ PHDR2</td><td>PH1 input/ PWM1B/ PHDR1</td><td>PH0 input/ PWM1A/ PHDR0</td></tr> </table>	Pin No.	46	45	44	43	40	39	38	37	Pin State	PH7 input/ PWM1H/ PHDR7	PH6 input/ PWM1G/ PHDR6	PH5 input/ PWM1F/ PHDR5	PH4 input/ PWM1E/ PHDR4	PH3 input/ PWM1D/ PHDR3	PH2 input/ PWM1C/ PHDR2	PH1 input/ PWM1B/ PHDR1	PH0 input/ PWM1A/ PHDR0	Bit	7	6	5	4	3	2	1	0	Read Data	PH7 input/ PWM1H/ PHDR7	PH6 input/ PWM1G/ PHDR6	PH5 input/ PWM1F/ PHDR5	PH4 input/ PWM1E/ PHDR4	PH3 input/ PWM1D/ PHDR3	PH2 input/ PWM1C/ PHDR2	PH1 input/ PWM1B/ PHDR1	PH0 input/ PWM1A/ PHDR0	<table border="1"> <tr><td>Pin No.</td><td>56</td><td>55</td><td>54</td><td>53</td><td>50</td><td>49</td><td>48</td><td>47</td></tr> <tr><td>Pin State</td><td>PJ7 input/ PWM2H/ PJDR7</td><td>PJ6 input/ PWM2G/ PJDR6</td><td>PJ5 input/ PWM2F/ PJDR5</td><td>PJ4 input/ PWM2E/ PJDR4</td><td>PJ3 input/ PWM2D/ PHDR3</td><td>PJ2 input/ PWM2C/ PHDR2</td><td>PJ1 input/ PWM2B/ PHDR1</td><td>PJ0 input/ PWM2A/ PHDR0</td></tr> <tr><td>Bit</td><td>7</td><td>6</td><td>5</td><td>4</td><td>3</td><td>2</td><td>1</td><td>0</td></tr> <tr><td>Read Data</td><td>PJ7 input/ PWM2H/ PJDR7</td><td>PJ6 input/ PWM2G/ PJDR6</td><td>PJ5 input/ PWM2F/ PJDR5</td><td>PJ4 input/ PWM2E/ PJDR4</td><td>PH3 input/ PWM2D/ PJDR3</td><td>PH2 input/ PWM2C/ PJDR2</td><td>PH1 input/ PWM2B/ PJDR1</td><td>PH0 input/ PWM2A/ PJDR0</td></tr> </table>	Pin No.	56	55	54	53	50	49	48	47	Pin State	PJ7 input/ PWM2H/ PJDR7	PJ6 input/ PWM2G/ PJDR6	PJ5 input/ PWM2F/ PJDR5	PJ4 input/ PWM2E/ PJDR4	PJ3 input/ PWM2D/ PHDR3	PJ2 input/ PWM2C/ PHDR2	PJ1 input/ PWM2B/ PHDR1	PJ0 input/ PWM2A/ PHDR0	Bit	7	6	5	4	3	2	1	0	Read Data	PJ7 input/ PWM2H/ PJDR7	PJ6 input/ PWM2G/ PJDR6	PJ5 input/ PWM2F/ PJDR5	PJ4 input/ PWM2E/ PJDR4	PH3 input/ PWM2D/ PJDR3	PH2 input/ PWM2C/ PJDR2	PH1 input/ PWM2B/ PJDR1	PH0 input/ PWM2A/ PJDR0
		Pin No.	46	45	44	43	40	39	38	37																																																																	
		Pin State	PH7 input/ PWM1H/ PHDR7	PH6 input/ PWM1G/ PHDR6	PH5 input/ PWM1F/ PHDR5	PH4 input/ PWM1E/ PHDR4	PH3 input/ PWM1D/ PHDR3	PH2 input/ PWM1C/ PHDR2	PH1 input/ PWM1B/ PHDR1	PH0 input/ PWM1A/ PHDR0																																																																	
		Bit	7	6	5	4	3	2	1	0																																																																	
Read Data	PH7 input/ PWM1H/ PHDR7	PH6 input/ PWM1G/ PHDR6	PH5 input/ PWM1F/ PHDR5	PH4 input/ PWM1E/ PHDR4	PH3 input/ PWM1D/ PHDR3	PH2 input/ PWM1C/ PHDR2	PH1 input/ PWM1B/ PHDR1	PH0 input/ PWM1A/ PHDR0																																																																			
Pin No.	56	55	54	53	50	49	48	47																																																																			
Pin State	PJ7 input/ PWM2H/ PJDR7	PJ6 input/ PWM2G/ PJDR6	PJ5 input/ PWM2F/ PJDR5	PJ4 input/ PWM2E/ PJDR4	PJ3 input/ PWM2D/ PHDR3	PJ2 input/ PWM2C/ PHDR2	PJ1 input/ PWM2B/ PHDR1	PJ0 input/ PWM2A/ PHDR0																																																																			
Bit	7	6	5	4	3	2	1	0																																																																			
Read Data	PJ7 input/ PWM2H/ PJDR7	PJ6 input/ PWM2G/ PJDR6	PJ5 input/ PWM2F/ PJDR5	PJ4 input/ PWM2E/ PJDR4	PH3 input/ PWM2D/ PJDR3	PH2 input/ PWM2C/ PJDR2	PH1 input/ PWM2B/ PJDR1	PH0 input/ PWM2A/ PJDR0																																																																			
1	0	<table border="1"> <tr><td>Pin No.</td><td>46</td><td>45</td><td>44</td><td>43</td><td>40</td><td>39</td><td>38</td><td>37</td></tr> <tr><td>Pin State</td><td>PH7 input/ PWM2H/ PJDR7</td><td>PH6 input/ PWM2G/ PJDR6</td><td>PH5 input/ PWM2F/ PJDR5</td><td>PH4 input/ PWM2E/ PJDR4</td><td>PH3 input/ PWM2D/ PHDR3</td><td>PH2 input/ PWM2C/ PHDR2</td><td>PH1 input/ PWM2B/ PHDR1</td><td>PH0 input/ PWM2A/ PHDR0</td></tr> <tr><td>Bit</td><td>7</td><td>6</td><td>5</td><td>4</td><td>3</td><td>2</td><td>1</td><td>0</td></tr> <tr><td>Read Data</td><td>PJ7 input/ PWM1H/ PHDR7</td><td>PJ6 input/ PWM1G/ PHDR6</td><td>PJ5 input/ PWM1F/ PHDR5</td><td>PJ4 input/ PWM1E/ PHDR4</td><td>PH3 input/ PWM1D/ PHDR3</td><td>PH2 input/ PWM1C/ PHDR2</td><td>PH1 input/ PWM1B/ PHDR1</td><td>PH0 input/ PWM1A/ PHDR0</td></tr> </table>	Pin No.	46	45	44	43	40	39	38	37	Pin State	PH7 input/ PWM2H/ PJDR7	PH6 input/ PWM2G/ PJDR6	PH5 input/ PWM2F/ PJDR5	PH4 input/ PWM2E/ PJDR4	PH3 input/ PWM2D/ PHDR3	PH2 input/ PWM2C/ PHDR2	PH1 input/ PWM2B/ PHDR1	PH0 input/ PWM2A/ PHDR0	Bit	7	6	5	4	3	2	1	0	Read Data	PJ7 input/ PWM1H/ PHDR7	PJ6 input/ PWM1G/ PHDR6	PJ5 input/ PWM1F/ PHDR5	PJ4 input/ PWM1E/ PHDR4	PH3 input/ PWM1D/ PHDR3	PH2 input/ PWM1C/ PHDR2	PH1 input/ PWM1B/ PHDR1	PH0 input/ PWM1A/ PHDR0	<table border="1"> <tr><td>Pin No.</td><td>56</td><td>55</td><td>54</td><td>53</td><td>50</td><td>49</td><td>48</td><td>47</td></tr> <tr><td>Pin State</td><td>PJ7 input/ PWM1H/ PHDR7</td><td>PJ6 input/ PWM1G/ PHDR6</td><td>PJ5 input/ PWM1F/ PHDR5</td><td>PJ4 input/ PWM1E/ PHDR4</td><td>PJ3 input/ PWM2D/ PJDR3</td><td>PJ2 input/ PWM2C/ PJDR2</td><td>PJ1 input/ PWM2B/ PJDR1</td><td>PJ0 input/ PWM2A/ PJDR0</td></tr> <tr><td>Bit</td><td>7</td><td>6</td><td>5</td><td>4</td><td>3</td><td>2</td><td>1</td><td>0</td></tr> <tr><td>Read Data</td><td>PH7 input/ PWM2H/ PJDR7</td><td>PH6 input/ PWM2G/ PJDR6</td><td>PH5 input/ PWM2F/ PJDR5</td><td>PH4 input/ PWM2E/ PJDR4</td><td>PJ3 input/ PWM2D/ PJDR3</td><td>PJ2 input/ PWM2C/ PJDR2</td><td>PJ1 input/ PWM2B/ PJDR1</td><td>PJ0 input/ PWM2A/ PJDR0</td></tr> </table>	Pin No.	56	55	54	53	50	49	48	47	Pin State	PJ7 input/ PWM1H/ PHDR7	PJ6 input/ PWM1G/ PHDR6	PJ5 input/ PWM1F/ PHDR5	PJ4 input/ PWM1E/ PHDR4	PJ3 input/ PWM2D/ PJDR3	PJ2 input/ PWM2C/ PJDR2	PJ1 input/ PWM2B/ PJDR1	PJ0 input/ PWM2A/ PJDR0	Bit	7	6	5	4	3	2	1	0	Read Data	PH7 input/ PWM2H/ PJDR7	PH6 input/ PWM2G/ PJDR6	PH5 input/ PWM2F/ PJDR5	PH4 input/ PWM2E/ PJDR4	PJ3 input/ PWM2D/ PJDR3	PJ2 input/ PWM2C/ PJDR2	PJ1 input/ PWM2B/ PJDR1	PJ0 input/ PWM2A/ PJDR0
		Pin No.	46	45	44	43	40	39	38	37																																																																	
		Pin State	PH7 input/ PWM2H/ PJDR7	PH6 input/ PWM2G/ PJDR6	PH5 input/ PWM2F/ PJDR5	PH4 input/ PWM2E/ PJDR4	PH3 input/ PWM2D/ PHDR3	PH2 input/ PWM2C/ PHDR2	PH1 input/ PWM2B/ PHDR1	PH0 input/ PWM2A/ PHDR0																																																																	
		Bit	7	6	5	4	3	2	1	0																																																																	
Read Data	PJ7 input/ PWM1H/ PHDR7	PJ6 input/ PWM1G/ PHDR6	PJ5 input/ PWM1F/ PHDR5	PJ4 input/ PWM1E/ PHDR4	PH3 input/ PWM1D/ PHDR3	PH2 input/ PWM1C/ PHDR2	PH1 input/ PWM1B/ PHDR1	PH0 input/ PWM1A/ PHDR0																																																																			
Pin No.	56	55	54	53	50	49	48	47																																																																			
Pin State	PJ7 input/ PWM1H/ PHDR7	PJ6 input/ PWM1G/ PHDR6	PJ5 input/ PWM1F/ PHDR5	PJ4 input/ PWM1E/ PHDR4	PJ3 input/ PWM2D/ PJDR3	PJ2 input/ PWM2C/ PJDR2	PJ1 input/ PWM2B/ PJDR1	PJ0 input/ PWM2A/ PJDR0																																																																			
Bit	7	6	5	4	3	2	1	0																																																																			
Read Data	PH7 input/ PWM2H/ PJDR7	PH6 input/ PWM2G/ PJDR6	PH5 input/ PWM2F/ PJDR5	PH4 input/ PWM2E/ PJDR4	PJ3 input/ PWM2D/ PJDR3	PJ2 input/ PWM2C/ PJDR2	PJ1 input/ PWM2B/ PJDR1	PJ0 input/ PWM2A/ PJDR0																																																																			
1	1	<table border="1"> <tr><td>Pin No.</td><td>46</td><td>45</td><td>44</td><td>43</td><td>40</td><td>39</td><td>38</td><td>37</td></tr> <tr><td>Pin State</td><td>PH7 input/ PWM2H/ PJDR7</td><td>PH6 input/ PWM2G/ PJDR6</td><td>PH5 input/ PWM2F/ PJDR5</td><td>PH4 input/ PWM2E/ PJDR4</td><td>PH3 input/ PWM2D/ PJDR3</td><td>PH2 input/ PWM2C/ PJDR2</td><td>PH1 input/ PWM2B/ PJDR1</td><td>PH0 input/ PWM2A/ PJDR0</td></tr> <tr><td>Bit</td><td>7</td><td>6</td><td>5</td><td>4</td><td>3</td><td>2</td><td>1</td><td>0</td></tr> <tr><td>Read Data</td><td>PJ7 input/ PWM1H/ PHDR7</td><td>PJ6 input/ PWM1G/ PHDR6</td><td>PJ5 input/ PWM1F/ PHDR5</td><td>PJ4 input/ PWM1E/ PHDR4</td><td>PJ3 input/ PWM1D/ PHDR3</td><td>PJ2 input/ PWM1C/ PHDR2</td><td>PJ1 input/ PWM1B/ PHDR1</td><td>PJ0 input/ PWM1A/ PHDR0</td></tr> </table>	Pin No.	46	45	44	43	40	39	38	37	Pin State	PH7 input/ PWM2H/ PJDR7	PH6 input/ PWM2G/ PJDR6	PH5 input/ PWM2F/ PJDR5	PH4 input/ PWM2E/ PJDR4	PH3 input/ PWM2D/ PJDR3	PH2 input/ PWM2C/ PJDR2	PH1 input/ PWM2B/ PJDR1	PH0 input/ PWM2A/ PJDR0	Bit	7	6	5	4	3	2	1	0	Read Data	PJ7 input/ PWM1H/ PHDR7	PJ6 input/ PWM1G/ PHDR6	PJ5 input/ PWM1F/ PHDR5	PJ4 input/ PWM1E/ PHDR4	PJ3 input/ PWM1D/ PHDR3	PJ2 input/ PWM1C/ PHDR2	PJ1 input/ PWM1B/ PHDR1	PJ0 input/ PWM1A/ PHDR0	<table border="1"> <tr><td>Pin No.</td><td>56</td><td>55</td><td>54</td><td>53</td><td>50</td><td>49</td><td>48</td><td>47</td></tr> <tr><td>Pin State</td><td>PJ7 input/ PWM1H/ PHDR7</td><td>PJ6 input/ PWM1G/ PHDR6</td><td>PJ5 input/ PWM1F/ PHDR5</td><td>PJ4 input/ PWM1E/ PHDR4</td><td>PJ3 input/ PWM1D/ PHDR3</td><td>PJ2 input/ PWM1C/ PHDR2</td><td>PJ1 input/ PWM1B/ PHDR1</td><td>PJ0 input/ PWM1A/ PHDR0</td></tr> <tr><td>Bit</td><td>7</td><td>6</td><td>5</td><td>4</td><td>3</td><td>2</td><td>1</td><td>0</td></tr> <tr><td>Read Data</td><td>PH7 input/ PWM2H/ PJDR7</td><td>PH6 input/ PWM2G/ PJDR6</td><td>PH5 input/ PWM2F/ PJDR5</td><td>PH4 input/ PWM2E/ PJDR4</td><td>PH3 input/ PWM2D/ PJDR3</td><td>PH2 input/ PWM2C/ PJDR2</td><td>PH1 input/ PWM2B/ PJDR1</td><td>PH0 input/ PWM2A/ PJDR0</td></tr> </table>	Pin No.	56	55	54	53	50	49	48	47	Pin State	PJ7 input/ PWM1H/ PHDR7	PJ6 input/ PWM1G/ PHDR6	PJ5 input/ PWM1F/ PHDR5	PJ4 input/ PWM1E/ PHDR4	PJ3 input/ PWM1D/ PHDR3	PJ2 input/ PWM1C/ PHDR2	PJ1 input/ PWM1B/ PHDR1	PJ0 input/ PWM1A/ PHDR0	Bit	7	6	5	4	3	2	1	0	Read Data	PH7 input/ PWM2H/ PJDR7	PH6 input/ PWM2G/ PJDR6	PH5 input/ PWM2F/ PJDR5	PH4 input/ PWM2E/ PJDR4	PH3 input/ PWM2D/ PJDR3	PH2 input/ PWM2C/ PJDR2	PH1 input/ PWM2B/ PJDR1	PH0 input/ PWM2A/ PJDR0
		Pin No.	46	45	44	43	40	39	38	37																																																																	
		Pin State	PH7 input/ PWM2H/ PJDR7	PH6 input/ PWM2G/ PJDR6	PH5 input/ PWM2F/ PJDR5	PH4 input/ PWM2E/ PJDR4	PH3 input/ PWM2D/ PJDR3	PH2 input/ PWM2C/ PJDR2	PH1 input/ PWM2B/ PJDR1	PH0 input/ PWM2A/ PJDR0																																																																	
		Bit	7	6	5	4	3	2	1	0																																																																	
Read Data	PJ7 input/ PWM1H/ PHDR7	PJ6 input/ PWM1G/ PHDR6	PJ5 input/ PWM1F/ PHDR5	PJ4 input/ PWM1E/ PHDR4	PJ3 input/ PWM1D/ PHDR3	PJ2 input/ PWM1C/ PHDR2	PJ1 input/ PWM1B/ PHDR1	PJ0 input/ PWM1A/ PHDR0																																																																			
Pin No.	56	55	54	53	50	49	48	47																																																																			
Pin State	PJ7 input/ PWM1H/ PHDR7	PJ6 input/ PWM1G/ PHDR6	PJ5 input/ PWM1F/ PHDR5	PJ4 input/ PWM1E/ PHDR4	PJ3 input/ PWM1D/ PHDR3	PJ2 input/ PWM1C/ PHDR2	PJ1 input/ PWM1B/ PHDR1	PJ0 input/ PWM1A/ PHDR0																																																																			
Bit	7	6	5	4	3	2	1	0																																																																			
Read Data	PH7 input/ PWM2H/ PJDR7	PH6 input/ PWM2G/ PJDR6	PH5 input/ PWM2F/ PJDR5	PH4 input/ PWM2E/ PJDR4	PH3 input/ PWM2D/ PJDR3	PH2 input/ PWM2C/ PJDR2	PH1 input/ PWM2B/ PJDR1	PH0 input/ PWM2A/ PJDR0																																																																			



## Section 8 16-Bit Timer Pulse Unit (TPU)

This LSI has an on-chip 16-bit timer pulse unit (TPU) comprised of three 16-bit timer channels.

The function list of the 16-bit timer unit and its block diagram are shown in table 8.1 and figure 8.1, respectively.

### 8.1 Features

- Maximum 8-pulse input/output
- Selection of 8 counter input clocks for each channel
- The following operations can be set for each channel.
  - Waveform output at compare match
  - Input capture function
  - Counter clear operation
  - Synchronous operation:
    - Multiple timer counters (TCNT) can be written to simultaneously
    - Simultaneous clearing by compare match and input capture is possible
    - Register simultaneous input/output is possible by synchronous counter operation
    - A maximum 7-phase PWM output is possible in combination with synchronous operation
- Buffer operation settable for channel 0
- Phase counting mode settable independently for each of channels 1 and 2
- Fast access via internal 16-bit bus
- 13 interrupt sources
- A/D converter conversion start trigger can be generated
- Module stop mode can be set

**Table 8.1 TPU Functions (1)**

Item	Channel 0	Channel 1	Channel 2
Count clock	$\phi/1$	$\phi/1$	$\phi/1$
	$\phi/4$	$\phi/4$	$\phi/4$
	$\phi/16$	$\phi/16$	$\phi/16$
	$\phi/64$	$\phi/64$	$\phi/64$
	TCLKA	$\phi/256$	$\phi/1024$
	TCLKB	TCLKA	TCLKA
	TCLKC	TCLKB	TCLKB
	TCLKD	TCLKC	TCLKC
General registers	TGRA_0	TGRA_1	TGRA_2
	TGRB_0	TGRB_1	TGRB_2
General registers/ buffer registers	TGRC_0	—	—
	TGRD_0	—	—
I/O pins	TIOCA0	TIOCA1	TIOCA2
	TIOCB0	TIOCB1	TIOCB2
	TIOCC0		
	TIOCD0		
Counter clear function	TGR compare match or input capture	TGR compare match or input capture	TGR compare match or input capture
Compare match output	0 output	<input type="radio"/>	<input type="radio"/>
	1 output	<input type="radio"/>	<input type="radio"/>
	Toggle output	<input type="radio"/>	<input type="radio"/>
Input capture function	<input type="radio"/>	<input type="radio"/>	<input type="radio"/>
Synchronous operation	<input type="radio"/>	<input type="radio"/>	<input type="radio"/>
PWM mode	<input type="radio"/>	<input type="radio"/>	<input type="radio"/>
Phase counting mode	—	<input type="radio"/>	<input type="radio"/>
Buffer operation	<input type="radio"/>	—	—

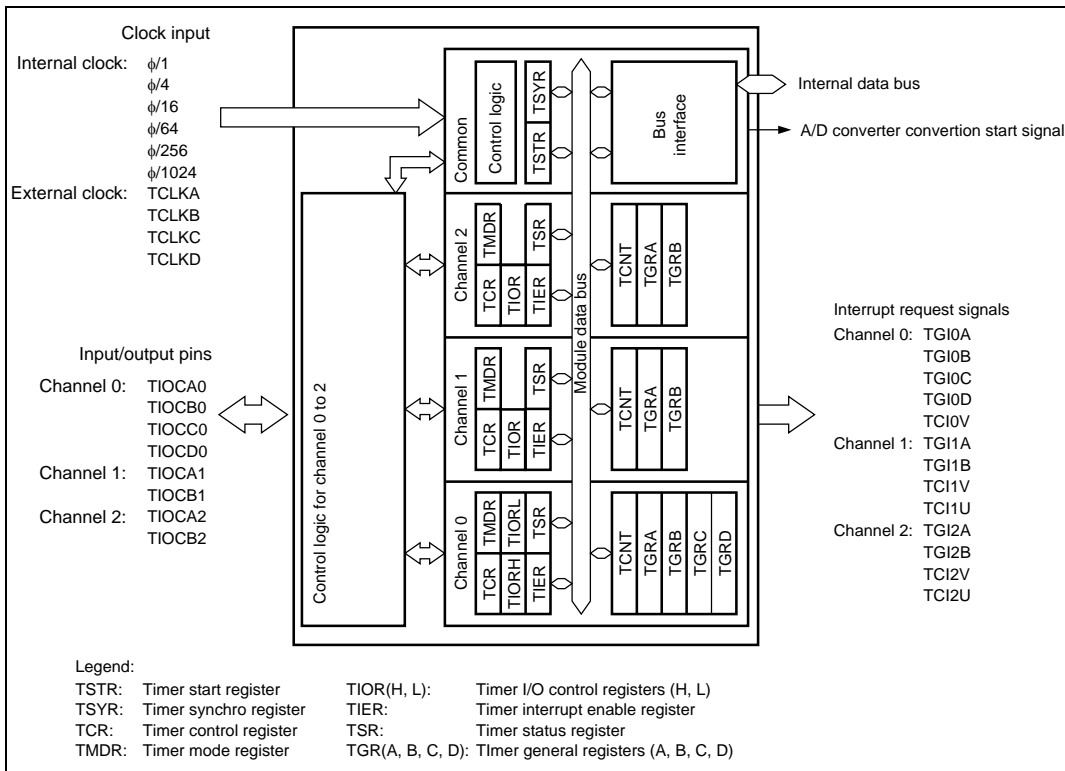
**Table 8.1 TPU Functions (2)**

<b>Item</b>	<b>Channel 0</b>	<b>Channel 1</b>	<b>Channel 2</b>
A/D converter trigger	TGRA_0 compare match or input capture	TGRA_1 compare match or input capture	TGRA_2 compare match or input capture
Interrupt sources	5 sources <ul style="list-style-type: none"> <li>• Compare match or input capture 0A</li> <li>• Compare match or input capture 0B</li> <li>• Compare match or input capture 0C</li> <li>• Compare match or input capture 0D</li> <li>• Overflow</li> </ul>	4 sources <ul style="list-style-type: none"> <li>• Compare match or input capture 1A</li> <li>• Compare match or input capture 1B</li> <li>• Overflow</li> <li>• Underflow</li> </ul>	4 sources <ul style="list-style-type: none"> <li>• Compare match or input capture 2A</li> <li>• Compare match or input capture 2B</li> <li>• Overflow</li> <li>• Underflow</li> </ul>

Legend:

○: Possible

—: Not possible



**Figure 8.1 Block Diagram of TPU**

## 8.2 Input/Output Pins

**Table 8.2 Pin Configuration**

Channel	Symbol	I/O	Function
All	TCLKA	Input	External clock A input pin (Channel 1 phase counting mode A phase input)
	TCLKB	Input	External clock B input pin (Channel 1 phase counting mode B phase input)
	TCLKC	Input	External clock C input pin (Channel 2 phase counting mode A phase input)
	TCLKD	Input	External clock D input pin (Channel 2 phase counting mode B phase input)
0	TIOCA0	I/O	TGRA_0 input capture input/output compare output/PWM output pin
	TIOCB0	I/O	TGRB_0 input capture input/output compare output/PWM output pin
	TIOCC0	I/O	TGRC_0 input capture input/output compare output/PWM output pin
	TIOCD0	I/O	TGRD_0 input capture input/output compare output/PWM output pin
1	TIOCA1	I/O	TGRA_1 input capture input/output compare output/PWM output pin
	TIOCB1	I/O	TGRB_1 input capture input/output compare output/PWM output pin
2	TIOCA2	I/O	TGRA_2 input capture input/output compare output/PWM output pin
	TIOCB2	I/O	TGRB_2 input capture input/output compare output/PWM output pin

## 8.3 Register Descriptions

The TPU has the following registers. To distinguish registers in each channel, an underscore and the channel number are added as a suffix to the register name; TCR for channel 0 is expressed as TCR\_0.

- Timer control register\_0 (TCR\_0)
- Timer mode register\_0 (TMDR\_0)
- Timer I/O control register H\_0 (TIORH\_0)
- Timer I/O control register L\_0 (TIORL\_0)
- Timer interrupt enable register\_0 (TIER\_0)
- Timer status register\_0 (TSR\_0)
- Timer counter\_0 (TCNT\_0)
- Timer general register A\_0 (TGRA\_0)
- Timer general register B\_0 (TGRB\_0)

- Timer general register C\_0 (TGRC\_0)
- Timer general register D\_0 (TGRD\_0)
- Timer control register\_1 (TCR\_1)
- Timer mode register\_1 (TMDR\_1)
- Timer I/O control register\_1 (TIOR\_1)
- Timer interrupt enable register\_1 (TIER\_1)
- Timer status register\_1 (TSR\_1)
- Timer counter\_1 (TCNT\_1)
- Timer general register A\_1 (TGRA\_1)
- Timer general register B\_1 (TGRB\_1)
- Timer control register\_2 (TCR\_2)
- Timer mode register\_2 (TMDR\_2)
- Timer I/O control register\_2 (TIOR\_2)
- Timer interrupt enable register\_2 (TIER\_2)
- Timer status register\_2 (TSR\_2)
- Timer counter\_2 (TCNT\_2)
- Timer general register A\_2 (TGRA\_2)
- Timer general register B\_2 (TGRB\_2)

Common Registers:

- Timer start register (TSTR)
- Timer synchro register (TSYR)

### 8.3.1 Timer Control Register (TCR)

The TCR registers control the TCNT operation for each channel. The TPU has a total of three TCR registers, one for each channel. TCR register settings should be conducted only when TCNT operation is stopped.



Bit	Bit Name	Initial value	R/W	Description
7	CCLR2	0	R/W	Counter Clear 0 to 2
6	CCLR1	0	R/W	These bits select the TCNT counter clearing source. See tables 8.3 and 8.4 for details.
5	CCLR0	0	R/W	
4	CKEG1	0	R/W	Clock Edge 0 and 1
3	CKEG0	0	R/W	These bits select the input clock edge. When the input clock is counted using both edges, the input clock period is halved (e.g. $\phi/4$ both edges = $\phi/2$ rising edge). If phase counting mode is used on channels 1 and 2, this setting is ignored and the phase counting mode setting has priority. Internal clock edge selection is valid when the input clock is $\phi/4$ or slower. This setting is ignored if the input clock is $\phi/1$ , or when overflow/underflow of another channel is selected.  00: Count at rising edge 01: Count at falling edge 1X: Count at both edges
2	TPSC2	0	R/W	Time Prescaler 0 to 2
1	TPSC1	0	R/W	These bits select the TCNT counter clock. The clock source can be selected independently for each channel. See tables 8.5 to 8.7 for details.
0	TPSC0	0	R/W	

Legend:

X: Don't care

**Table 8.3 CCLR0 to CCLR2 (Channel 0)**

Channel	Bit 7 CCLR2	Bit 6 CCLR1	Bit 5 CCLR0	Description
0	0	0	0	TCNT clearing disabled
			1	TCNT cleared by TGRA compare match/input capture
		1	0	TCNT cleared by TGRB compare match/input capture
			1	TCNT cleared by counter clearing for another channel performing synchronous clearing/synchronous operation <sup>*1</sup>
	1	0	0	TCNT clearing disabled
			1	TCNT cleared by TGRC compare match/input capture <sup>*2</sup>
		1	0	TCNT cleared by TGRD compare match/input capture <sup>*2</sup>
			1	TCNT cleared by counter clearing for another channel performing synchronous clearing/synchronous operation <sup>*1</sup>

Notes: 1. Synchronous operation is set by setting the SYNC bit in TSYR to 1.

2. When TGRC or TGRD is used as a buffer register, TCNT is not cleared because the buffer register setting has priority, and compare match/input capture does not occur.

**Table 8.4 CCLR0 to CCLR2 (Channels 1 and 2)**

Channel	Bit 7 Reserved <sup>*2</sup>	Bit 6 CCLR1	Bit 5 CCLR0	Description
1, 2	0	0	0	TCNT clearing disabled
			1	TCNT cleared by TGRA compare match/input capture
			1	TCNT cleared by TGRB compare match/input capture
		1	0	TCNT cleared by counter clearing for another channel performing synchronous clearing/synchronous operation <sup>*1</sup>
			1	TCNT cleared by counter clearing for another channel performing synchronous clearing/synchronous operation <sup>*1</sup>
			1	TCNT cleared by counter clearing for another channel performing synchronous clearing/synchronous operation <sup>*1</sup>

Notes: 1. Synchronous operation is selected by setting the SYNC bit in TSYR to 1.

2. Bit 7 is reserved in channels 1 and 2. It is always read as 0 and cannot be modified.

**Table 8.5 TPSC0 to TPSC2 (Channel 0)**

Channel	Bit 2 TPSC2	Bit 1 TPSC1	Bit 0 TPSC0	Description
0	0	0	0	Internal clock: counts on $\phi/1$
			1	Internal clock: counts on $\phi/4$
		1	0	Internal clock: counts on $\phi/16$
			1	Internal clock: counts on $\phi/64$
	1	0	0	External clock: counts on TCLKA pin input
			1	External clock: counts on TCLKB pin input
		1	0	External clock: counts on TCLKC pin input
			1	External clock: counts on TCLKD pin input

**Table 8.6 TPSC0 to TPSC2 (Channel 1)**

Channel	Bit 2 TPSC2	Bit 1 TPSC1	Bit 0 TPSC0	Description
1	0	0	0	Internal clock: counts on $\phi/1$
			1	Internal clock: counts on $\phi/4$
		1	0	Internal clock: counts on $\phi/16$
			1	Internal clock: counts on $\phi/64$
	1	0	0	External clock: counts on TCLKA pin input
			1	External clock: counts on TCLKB pin input
		1	0	Internal clock: counts on $\phi/256$
			1	Setting prohibited

Note: This setting is ignored when channel 1 is in phase counting mode.

**Table 8.7 TPSC0 to TPSC2 (Channel 2)**

Channel	Bit 2 TPSC2	Bit 1 TPSC1	Bit 0 TPSC0	Description
2	0	0	0	Internal clock: counts on $\phi/1$
			1	Internal clock: counts on $\phi/4$
		1	0	Internal clock: counts on $\phi/16$
			1	Internal clock: counts on $\phi/64$
	1	0	0	External clock: counts on TCLKA pin input
			1	External clock: counts on TCLKB pin input
		1	0	External clock: counts on TCLKC pin input
			1	Internal clock: counts on $\phi/1024$

Note: This setting is ignored when channel 2 is in phase counting mode.

### 8.3.2 Timer Mode Register (TMDR)

The TMDR registers are used to set the operating mode of each channel. The TPU has three TMDR registers, one for each channel. TMDR register settings should be changed only when TCNT operation is stopped.

Bit	Bit Name	Initial value	R/W	Description
7, 6	—	All 1	—	Reserved These bits are always read as 1 and cannot be modified.
5	BFB	0	R/W	Buffer Operation B Specifies whether TGRB is to operate in the normal way, or TGRB and TGRD are to be used together for buffer operation. When TGRD is used as a buffer register, TGRD input capture/output compare is not generated. In channels 1 and 2, which have no TGRD, bit 5 is reserved. It is always read as 0 and cannot be modified. 0: TGRB operates normally 1: TGRB and TGRD used together for buffer operation

Bit	Bit Name	Initial value	R/W	Description
4	BFA	0	R/W	<p>Buffer Operation A</p> <p>Specifies whether TGRA is to operate in the normal way, or TGRA and TGRC are to be used together for buffer operation. When TGRC is used as a buffer register, TGRC input capture/output compare is not generated.</p> <p>In channels 1, and 2, which have no TGRC, bit 4 is reserved. It is always read as 0 and cannot be modified.</p> <p>0: TGRA operates normally 1: TGRA and TGRC used together for buffer operation</p>
3	MD3	0	R/W	Modes 0 to 3
2	MD2	0	R/W	These bits are used to set the timer operating mode.
1	MD1	0	R/W	MD3 is a reserved bit. In a write, it should always be written with 0. See table 8.8 for details.
0	MD0	0	R/W	

Table 8.8 MD0 to MD3

Bit 3 MD3 <sup>*1</sup>	Bit 2 MD2 <sup>*2</sup>	Bit 1 MD1	Bit 0 MD0	Description
0	0	0	0	Normal operation
			1	Reserved
		1	0	PWM mode 1
			1	PWM mode 2
	1	0	0	Phase counting mode 1
			1	Phase counting mode 2
		1	0	Phase counting mode 3
			1	Phase counting mode 4
1	X	X	X	—

Legend:

X: Don't care

Notes: 1. MD3 is a reserved bit. In a write, it should always be written with 0.

2. Phase counting mode cannot be set for channel 0. In this case, 0 should always be written to MD2.

### 8.3.3 Timer I/O Control Register (TIOR)

The TIOR registers control the TGR registers. The TPU has four TIOR registers, two for channel 0, and one each for channels 1 and 2.

Care is required as TIOR is affected by the TMDR setting. The initial output specified by TIOR is valid when the counter is stopped (the CST bit in TSTR is cleared to 0). Note also that, in PWM mode 2, the output at the point at which the counter is cleared to 0 is specified.

When TGRC or TGRD is designated for buffer operation, this setting is invalid and the register operates as a buffer register.

- TIORH\_0, TIOR\_1, TIOR\_2

Bit	Bit Name	Initial value	R/W	Description
7	IOB3	0	R/W	I/O Control B0 to B3
6	IOB2	0	R/W	Specify the function of TGRB.
5	IOB1	0	R/W	
4	IOB0	0	R/W	
3	IOA3	0	R/W	I/O Control A0 to A3
2	IOA2	0	R/W	Specify the function of TGRA.
1	IOA1	0	R/W	
0	IOA0	0	R/W	

- TIORL\_0

Bit	Bit Name	Initial value	R/W	Description
7	IOD3	0	R/W	I/O Control D0 to D3
6	IOD2	0	R/W	Specify the function of TGRD.
5	IOD1	0	R/W	
4	IOD0	0	R/W	
3	IOC3	0	R/W	I/O Control C0 to C3
2	IOC2	0	R/W	Specify the function of TGRC.
1	IOC1	0	R/W	
0	IOC0	0	R/W	

Table 8.9 TIORH\_0

				Description		
Bit 7 IOB3	Bit 6 IOB2	Bit 5 IOB1	Bit 4 IOB0	TGRB_0 Function	TIOCB0 Pin Function	
0	0	0	0	Output compare register	Output disabled	
			1		Initial output is 0	
			0		0 output at compare match	
			1		1 output at compare match	
	1	0	0	0	Input capture register	Input capture at rising edge
				1		Input capture at falling edge
				X		Input capture at both edges
				X		Capture input source is channel 1/count clock Input capture at TCNT_1 count- up/count-down*

Legend:

X: Don't care

Note: \* When bits TPSC0 to TPSC2 in TCR\_1 are set to B'000 and  $\phi/1$  is used as the TCNT\_1 count clock, this setting is invalid and input capture is not generated.

Table 8.10 TIORL\_0

Bit 7 IOD3	Bit 6 IOD2	Bit 5 IOD1	Bit 4 IOD0	Description		
				TGRD_0 Function	TIOCD0 Pin Function	
0	0	0	0	Output compare register*2	Output disabled	
			1		Initial output is 0 0 output at compare match	
		1	0		Initial output is 0 1 output at compare match	
			1		Initial output is 0 Toggle output at compare match	
	1	0	0	0	Output disabled	
				1	Initial output is 1 0 output at compare match	
			1	0	Initial output is 1 1 output at compare match	
				1	Initial output is 1 Toggle output at compare match	
		X	X	0	Input capture register*2	Capture input source is TIOCD0 pin Input capture at rising edge
				1	Capture input source is TIOCD0 pin Input capture at falling edge	
			X	0	Capture input source is TIOCD0 pin Input capture at both edges	
				1	Capture input source is channel 1/count clock Input capture at TCNT_1 count-up/count-down*1	

Legend:

X: Don't care

- Notes:
1. When bits TPSC0 to TPSC2 in TCR\_1 are set to B'000 and  $\phi/1$  is used as the TCNT\_1 count clock, this setting is invalid and input capture is not generated.
  2. When the BFB bit in TMDR\_0 is set to 1 and TGRD\_0 is used as a buffer register, this setting is invalid and input capture/output compare is not generated.



Table 8.11 TIOR\_1

Bit 7 IOB3	Bit 6 IOB2	Bit 5 IOB1	Bit 4 IOB0	Description	
				TGRB_1 Function	TIOCB1 Pin Function
0	0	0	0	Output compare register	Output disabled
			1		Initial output is 0 0 output at compare match
		1	0		Initial output is 0 1 output at compare match
			1		Initial output is 0 Toggle output at compare match
	1	0	0		Output disabled
			1		Initial output is 1 0 output at compare match
		1	0		Initial output is 1 1 output at compare match
			1		Initial output is 1 Toggle output at compare match
1	0	0	Input capture register	Capture input source is TIOCB1 pin Input capture at rising edge	
				1	Capture input source is TIOCB1 pin Input capture at falling edge
		1		X	Capture input source is TIOCB1 pin Input capture at both edges
	1	X		X	TGRC_0 compare match/ input capture Input capture at generation of TGRC_0 compare match/input capture

Legend:

X: Don't care

Table 8.12 TIOR\_2

Bit 7 IOB3	Bit 6 IOB2	Bit 5 IOB1	Bit 4 IOB0	Description			
				TGRB_2 Function	TIOCB2 Pin Function		
0	0	0	0	Output compare register	Output disabled		
			1		Initial output is 0 0 output at compare match		
		1	0		Initial output is 0 1 output at compare match		
			1		Initial output is 0 Toggle output at compare match		
	1	0	0		0	Output disabled	
					1	Initial output is 1 0 output at compare match	
			1		0	Initial output is 1 1 output at compare match	
					1	Initial output is 1 Toggle output at compare match	
		X	0		0	Input capture register	Capture input source is TIOCB2 pin Input capture at rising edge
							1
			1		X		Capture input source is TIOCB2 pin Input capture at both edges

Legend:

X: Don't care

Table 8.13 TIORH\_0

Bit 3 IOA3	Bit 2 IOA2	Bit 1 IOA1	Bit 0 IOA0	Description		
				TGRA_0 Function	TIOCA0 Pin Function	
0	0	0	0	Output compare register	Output disabled	
			1		Initial output is 0 0 output at compare match	
			1		Initial output is 0 1 output at compare match	
		1	0		Initial output is 0 Toggle output at compare match	
			1		Output disabled	
			1		Initial output is 1 0 output at compare match	
	1	0	0	Input capture register	Initial output is 1 1 output at compare match	
			1		Initial output is 1 Toggle output at compare match	
			1		Initial output is 1 Toggle output at compare match	
		1	X		0	Capture input source is TIOCA0 pin Input capture at rising edge
					1	Capture input source is TIOCA0 pin Input capture at falling edge
					X	Capture input source is TIOCA0 pin Input capture at both edges
1	X	X		Capture input source is channel 1/count clock Input capture at TCNT_1 count-up/count-down		

Legend:

X: Don't care

Table 8.14 TIORL\_0

				Description	
Bit 3 IOC3	Bit 2 IOC2	Bit 1 IOC1	Bit 0 IOC0	TGRC_0 Function	TIOCC0 Pin Function
0	0	0	0	Output compare register*	Output disabled
			1		Initial output is 0 0 output at compare match
			1		Initial output is 0 1 output at compare match
		1	0		Initial output is 0 Toggle output at compare match
			1		Output disabled
			1		Initial output is 1 0 output at compare match
	1	0	0	0	Initial output is 1 1 output at compare match
				1	Initial output is 1 Toggle output at compare match
			1	0	Initial output is 1 Toggle output at compare match
		1		Initial output is 1 Toggle output at compare match	
		1		Initial output is 1 Toggle output at compare match	
		1	0	0	0
1	Capture input source is TIOCC0 pin Input capture at falling edge				
1	Capture input source is TIOCC0 pin Input capture at both edges				
1	X			Capture input source is channel 1/count clock Input capture at TCNT_1 count-up/count-down	
	X				
	X				

Legend:

X: Don't care

Note: \* When the BFA bit in TMDR\_0 is set to 1 and TGRC\_0 is used as a buffer register, this setting is invalid and input capture/output compare is not generated.

Table 8.15 TIOR\_1

Bit 3 IOA3	Bit 2 IOA2	Bit 1 IOA1	Bit 0 IOA0	Description		
				TGRA_1 Function	TIOCA1 Pin Function	
0	0	0	0	Output compare register	Output disabled	
			1		Initial output is 0 0 output at compare match	
			1		Initial output is 0 1 output at compare match	
		1	0		Initial output is 0 Toggle output at compare match	
			1		Output disabled	
			1		Initial output is 1 0 output at compare match	
	1	0	0	Input capture register	Initial output is 1 1 output at compare match	
			1		Initial output is 1 Toggle output at compare match	
			1		Capture input source is TIOCA1 pin Input capture at rising edge	
		1	X		0	Capture input source is TIOCA1 pin Input capture at falling edge
					1	Capture input source is TIOCA1 pin Input capture at both edges
					1	Capture input source is TGRA_0 compare match/input capture Input capture at generation of channel 0/TGRA_0 compare match/input capture

Legend:

X: Don't care

Table 8.16 TIOR\_2

				Description		
Bit 3 IOA3	Bit 2 IOA2	Bit 1 IOA1	Bit 0 IOA0	TGRA_2 Function	TIOCA2 Pin Function	
0	0	0	0	Output compare register	Output disabled	
			1		Initial output is 0 0 output at compare match	
		1	0		Initial output is 0 1 output at compare match	
			1		Initial output is 0 Toggle output at compare match	
		1	0		0	Output disabled
					1	Initial output is 1 0 output at compare match
	1		0	Initial output is 1 1 output at compare match		
			1	Initial output is 1 Toggle output at compare match		
	1	X	0	0	Input capture register	Capture input source is TIOCA2 pin Input capture at rising edge
				1		Capture input source is TIOCA2 pin Input capture at falling edge
			1	X	X	Capture input source is TIOCA2 pin Input capture at both edges

Legend:

X: Don't care

### 8.3.4 Timer Interrupt Enable Register (TIER)

The TIER registers control enabling or disabling of interrupt requests for each channel. The TPU has three TIER registers, one for each channel.

Bit	Bit Name	Initial value	R/W	Description
7	TTGE	0	R/W	<p>A/D Conversion Start Request Enable</p> <p>Enables or disables generation of A/D conversion start requests by TGRA input capture/compare match.</p> <p>0: A/D conversion start request generation disabled</p> <p>1: A/D conversion start request generation enabled</p>
6	—	1	—	<p>Reserved</p> <p>This bit is always read as 1 and cannot be modified.</p>
5	TCIEU	0	R/W	<p>Underflow Interrupt Enable</p> <p>Enables or disables interrupt requests (TCIU) by the TCFU flag when the TCFU flag in TSR is set to 1 in channels 1 and 2.</p> <p>In channel 0, bit 5 is reserved. It is always read as 0 and cannot be modified.</p> <p>0: Interrupt requests (TCIU) by TCFU disabled</p> <p>1: Interrupt requests (TCIU) by TCFU enabled</p>
4	TCIEV	0	R/W	<p>Overflow Interrupt Enable</p> <p>Enables or disables interrupt requests (TCIV) by the TCFV flag when the TCFV flag in TSR is set to 1.</p> <p>0: Interrupt requests (TCIV) by TCFV disabled</p> <p>1: Interrupt requests (TCIV) by TCFV enabled</p>
3	TGIED	0	R/W	<p>TGR Interrupt Enable D</p> <p>Enables or disables interrupt requests (TGID) by the TGFD bit when the TGFD bit in TSR is set to 1 in channel 0.</p> <p>In channels 1 and 2, bit 3 is reserved. It is always read as 0 and cannot be modified.</p> <p>0: Interrupt requests (TGID) by TGFD bit disabled</p> <p>1: Interrupt requests (TGID) by TGFD bit enabled</p>

Bit	Bit Name	Initial value	R/W	Description
2	TGIEC	0	R/W	<p>TGR Interrupt Enable C</p> <p>Enables or disables interrupt requests (TGIC) by the TGFC bit when the TGFC bit in TSR is set to 1 in channel 0.</p> <p>In channels 1 and 2, bit 2 is reserved. It is always read as 0 and cannot be modified.</p> <p>0: Interrupt requests (TGIC) by TGFC bit disabled 1: Interrupt requests (TGIC) by TGFC bit enabled</p>
1	TGIEB	0	R/W	<p>TGR Interrupt Enable B</p> <p>Enables or disables interrupt requests (TGIB) by the TGFB bit when the TGFB bit in TSR is set to 1.</p> <p>0: Interrupt requests (TGIB) by TGFB bit disabled 1: Interrupt requests (TGIB) by TGFB bit enabled</p>
0	TGIEA	0	R/W	<p>TGR Interrupt Enable A</p> <p>Enables or disables interrupt requests (TGIA) by the TGFA bit when the TGFA bit in TSR is set to 1.</p> <p>0: Interrupt requests (TGIA) by TGFA bit disabled 1: Interrupt requests (TGIA) by TGFA bit enabled</p>



### 8.3.5 Timer Status Register (TSR)

The TSR registers indicate the status of each channel. The TPU has three TSR registers, one for each channel.

Bit	Bit Name	Initial value	R/W	Description
7	TCFD	1	R	Count Direction Flag Status flag that shows the direction in which TCNT counts in channels 1 and 2. In channel 0, bit 7 is reserved. It is always read as 1 and cannot be modified. 0: TCNT counts down 1: TCNT counts up
6	—	1	—	Reserved This bit is always read as 1 and cannot be modified.
5	TCFU	0	R/(W)*	Underflow Flag Status flag that indicates that TCNT underflow has occurred when channels 1 and 2 are set to phase counting mode. Only 0 can be written, for flag clearing. In channel 0, bit 5 is reserved. It is always read as 0 and cannot be modified. [Setting condition] When the TCNT value underflows (changes from H'0000 to H'FFFF) [Clearing condition] When 0 is written to TCFU after reading TCFU = 1
4	TCFV	0	R/(W)*	Overflow Flag Status flag that indicates that TCNT overflow has occurred. Only 0 can be written, for flag clearing. [Setting condition] When the TCNT value overflows (changes from H'FFFF to H'0000 ) [Clearing condition] When 0 is written to TCFV after reading TCFV = 1

Bit	Bit Name	Initial value	R/W	Description
3	TGFD	0	R/(W)*	<p>Input Capture/Output Compare Flag D</p> <p>Status flag that indicates the occurrence of TGRD input capture or compare match in channel 0. In channels 1 and 2, bit 3 is reserved. It is always read as 0 and cannot be modified.</p> <p>[Setting conditions]</p> <ul style="list-style-type: none"> <li>• When TCNT = TGRD and TGRD is functioning as output compare register</li> <li>• When TCNT value is transferred to TGRD by input capture signal and TGRD is functioning as input capture register</li> </ul> <p>[Clearing condition]</p> <ul style="list-style-type: none"> <li>• When 0 is written to TGFD after reading TGFD = 1</li> </ul>
2	TGFC	0	R/(W)*	<p>Input Capture/Output Compare Flag C</p> <p>Status flag that indicates the occurrence of TGRC input capture or compare match in channel 0. In channels 1 and 2, bit 2 is reserved. It is always read as 0 and cannot be modified.</p> <p>[Setting conditions]</p> <ul style="list-style-type: none"> <li>• When TCNT = TGRC and TGRC is functioning as output compare register</li> <li>• When TCNT value is transferred to TGRC by input capture signal and TGRC is functioning as input capture register</li> </ul> <p>[Clearing condition]</p> <ul style="list-style-type: none"> <li>• When 0 is written to TGFC after reading TGFC = 1</li> </ul>

Bit	Bit Name	Initial value	R/W	Description
1	TGFB	0	R/(W)*	<p>Input Capture/Output Compare Flag B</p> <p>Status flag that indicates the occurrence of TGRB input capture or compare match.</p> <p>[Setting conditions]</p> <ul style="list-style-type: none"> <li>When TCNT = TGRB and TGRB is functioning as output compare register</li> <li>When TCNT value is transferred to TGRB by input capture signal and TGRB is functioning as input capture register</li> </ul> <p>[Clearing condition]</p> <ul style="list-style-type: none"> <li>When 0 is written to TGFB after reading TGFB = 1</li> </ul>
0	TGFA	0	R/(W)*	<p>Input Capture/Output Compare Flag A</p> <p>Status flag that indicates the occurrence of TGRA input capture or compare match.</p> <p>[Setting conditions]</p> <ul style="list-style-type: none"> <li>When TCNT = TGRA and TGRA is functioning as output compare register</li> <li>When TCNT value is transferred to TGRA by input capture signal and TGRA is functioning as input capture register</li> </ul> <p>[Clearing condition]</p> <ul style="list-style-type: none"> <li>When 0 is written to TGFA after reading TGFA = 1</li> </ul>

Note: \* Only 0 can be written, for flag clearing.

### 8.3.6 Timer Counter (TCNT)

The TCNT registers are 16-bit readable/writable counters. The TPU has three TCNT counters, one for each channel.

The TCNT counters are initialized to H'0000 by a reset, and in hardware standby mode.

The TCNT counters cannot be accessed in 8-bit units; they must always be accessed as a 16-bit unit.

### 8.3.7 Timer General Register (TGR)

The TGR registers are dual function 16-bit readable/writable registers, functioning as either output compare or input capture registers. The TPU has eight TGR registers, four for channel 0 and two each for channels 1 and 2. TGRC and TGRD for channel 0 can also be designated for operation as buffer registers. The TGR registers cannot be accessed in 8-bit units; they must always be accessed as a 16-bit unit. TGR buffer register combinations are TGRA—TGRC and TGRB—TGRD.

### 8.3.8 Timer Start Register (TSTR)

TSTR selects operation/stoppage for channels 0 to 2. When setting the operating mode in TMDR or setting the count clock in TCR, first stop the TCNT counter.

Bit	Bit Name	Initial value	R/W	Description
7 to 3	—	All 0	—	Reserved Only 0 should be written to these bits.
2	CST2	0	R/W	Counter Start 2 to 0
1	CST1			These bits select operation or stoppage for TCNT.
0	CST0			If 0 is written to the CST bit during operation with the TIOC pin designated for output, the counter stops but the TIOC pin output compare output level is retained. If TIOR is written to when the CST bit is cleared to 0, the pin output level will be changed to the set initial output value. 0: TCNT_2 to TCNT_0 count operation is stopped 1: TCNT_2 to TCNT_0 performs count operation

### 8.3.9 Timer Synchro Register (TSYR)

TSYR selects independent operation or synchronous operation for the channel 0 to 2 TCNT counters. A channel performs synchronous operation when the corresponding bit in TSYR is set to 1.

Bit	Bit Name	Initial value	R/W	Description
7 to 3	—	All 0	R/W	Reserved Only 0 should be written to these bits.
2	SYNC2	0	R/W	Timer Synchro 2 to 0
1	SYNC1			These bits are used to select whether operation is independent of or synchronized with other channels. When synchronous operation is selected, the TCNT synchronous presetting of multiple channels, and synchronous clearing by counter clearing on another channel, are possible. To set synchronous operation, the SYNC bits for at least two channels must be set to 1. To set synchronous clearing, in addition to the SYNC bit, the TCNT clearing source must also be set by means of bits CCLR0 to CCLR2 in TCR. 0: TCNT_2 to TCNT_0 operates independently (TCNT presetting /clearing is unrelated to other channels) 1: TCNT_2 to TCNT_0 performs synchronous operation TCNT synchronous presetting/synchronous clearing is possible
0	SYNC0			

## 8.4 Operation

### 8.4.1 Basic Functions

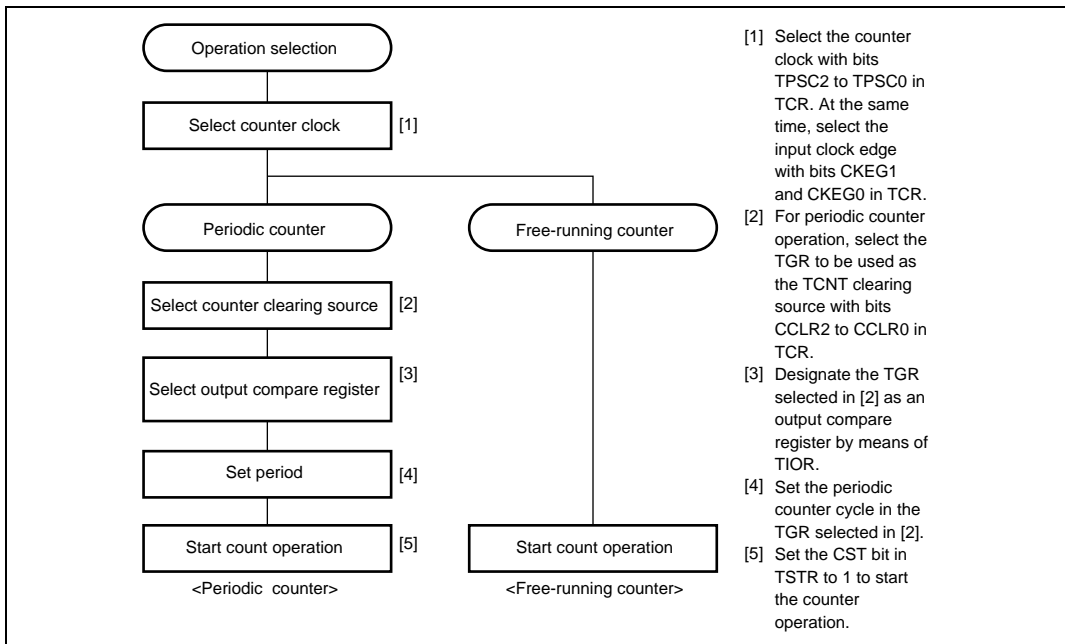
Each channel has a TCNT and TGR register. TCNT performs up-counting, and is also capable of free-running operation, synchronous counting, and external event counting.

Each TGR can be used as an input capture register or output compare register.

### Counter Operation

When one of bits CST0 to CST2 is set to 1 in TSTR, the TCNT counter for the corresponding channel begins counting. TCNT can operate as a free-running counter, periodic counter, for example.

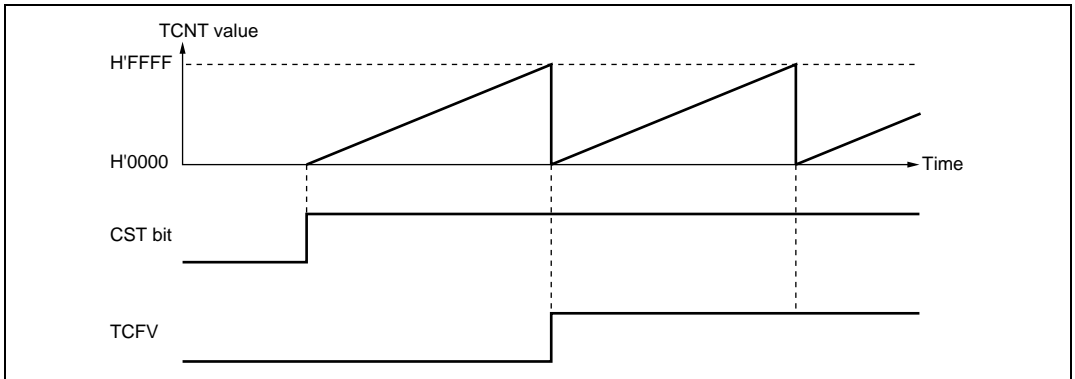
**1. Example of count operation setting procedure:** Figure 8.2 shows an example of the count operation setting procedure.



**Figure 8.2 Example of Counter Operation Setting Procedure**

**2. Free-running count operation and periodic count operation:** Immediately after a reset, the TPU's TCNT counters are all designated as free-running counters. When the relevant bit in TSTR is set to 1 the corresponding TCNT counter starts up-count operation as a free-running counter. When TCNT overflows (from H'FFFF to H'0000), the TCFV bit in TSR is set to 1. If the value of the corresponding TCIEV bit in TIER is 1 at this point, the TPU requests an interrupt. After overflow, TCNT starts counting up again from H'0000.

Figure 8.3 illustrates free-running counter operation.

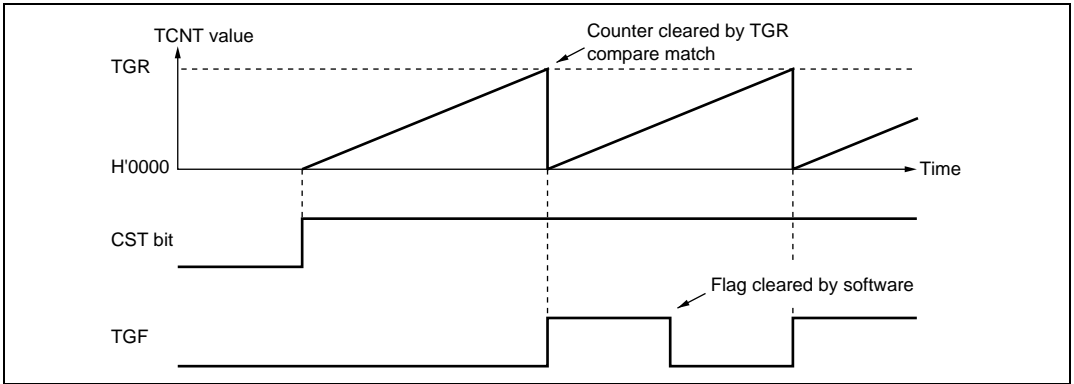


**Figure 8.3 Free-Running Counter Operation**

When compare match is selected as the TCNT clearing source, the TCNT counter for the relevant channel performs periodic count operation. The TGR register for setting the period is designated as an output compare register, and counter clearing by compare match is selected by means of bits CCLR0 to CCLR2 in TCR. After the settings have been made, TCNT starts up-count operation as a periodic counter when the corresponding bit in TSTR is set to 1. When the count value matches the value in TGR, the TGF bit in TSR is set to 1 and TCNT is cleared to H'0000.

If the value of the corresponding TGIE bit in TIER is 1 at this point, the TPU requests an interrupt. After a compare match, TCNT starts counting up again from H'0000.

Figure 8.4 illustrates periodic counter operation.

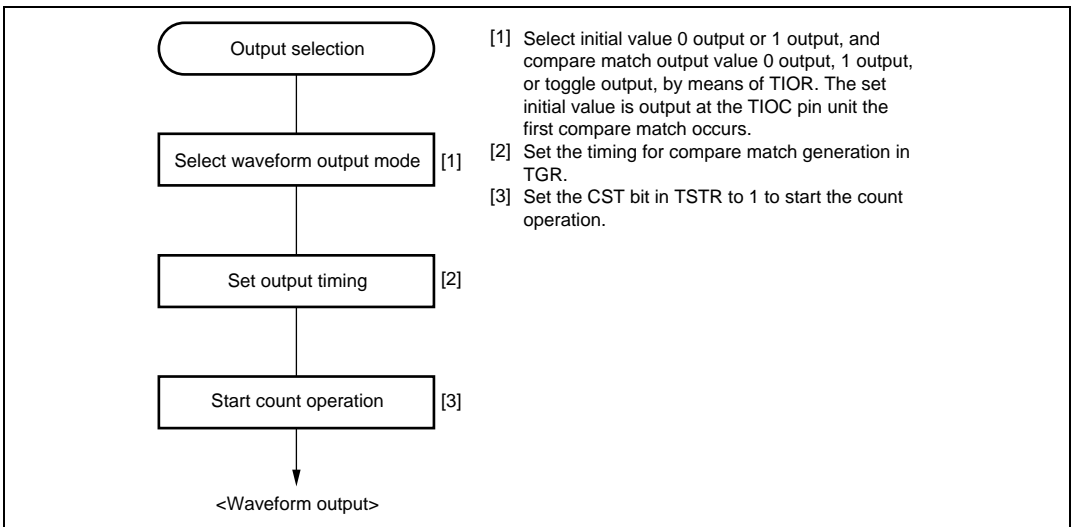


**Figure 8.4 Periodic Counter Operation**

### Waveform Output by Compare Match

The TPU can perform 0, 1, or toggle output from the corresponding output pin using compare match.

**1. Example of setting procedure for waveform output by compare match:** Figure 8.5 shows an example of the setting procedure for waveform output by compare match

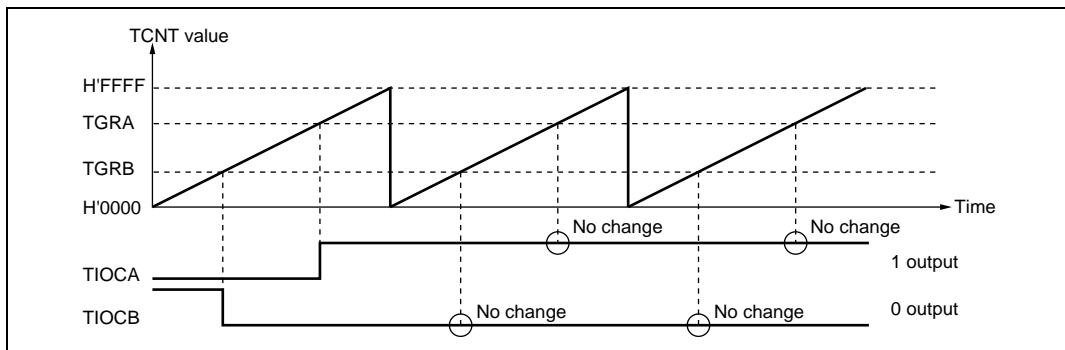


**Figure 8.5 Example of Setting Procedure for Waveform Output by Compare Match**



## 2. Examples of waveform output operation: Figure 8.6 shows an example of 0 output/1 output.

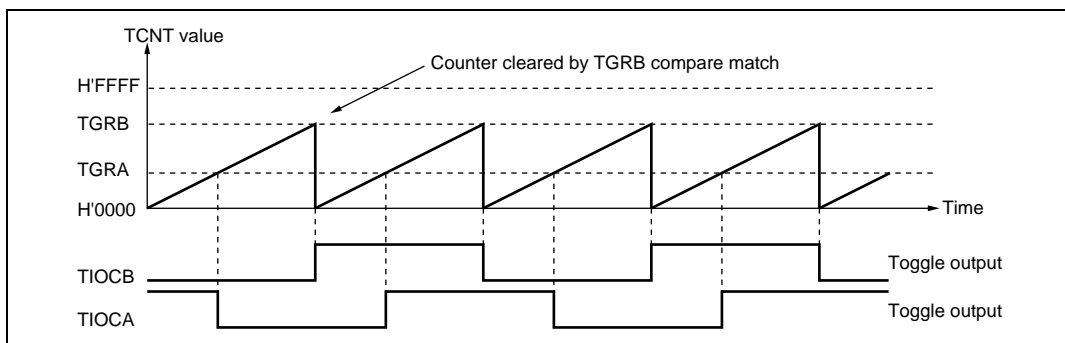
In this example TCNT has been designated as a free-running counter, and settings have been made such that 1 is output by compare match A, and 0 is output by compare match B. When the set level and the pin level coincide, the pin level does not change.



**Figure 8.6 Example of 0 Output/1 Output Operation**

Figure 8.7 shows an example of toggle output.

In this example, TCNT has been designated as a periodic counter (with counter clearing on compare match B), and settings have been made such that the output is toggled by both compare match A and compare match B.



**Figure 8.7 Example of Toggle Output Operation**

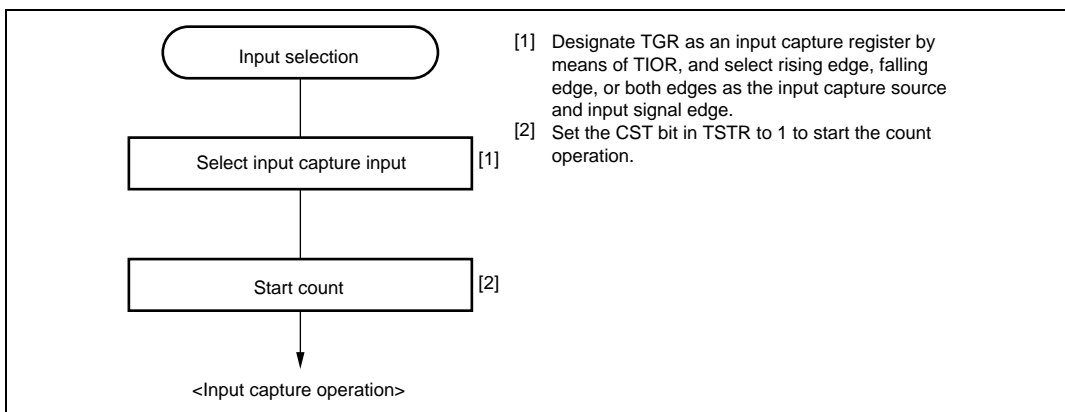
## Input Capture Function

The TCNT value can be transferred to TGR on detection of the TIOC pin input edge.

Rising edge, falling edge, or both edges can be selected as the detected edge. For channels 0 and 1, it is also possible to specify another channel's counter input clock or compare match signal as the input capture source.

Note: When another channel's counter input clock is used as the input capture input for channel 0,  $\phi/1$  should not be selected as the counter input clock used for input capture input. Input capture will not be generated if  $\phi/1$  is selected.

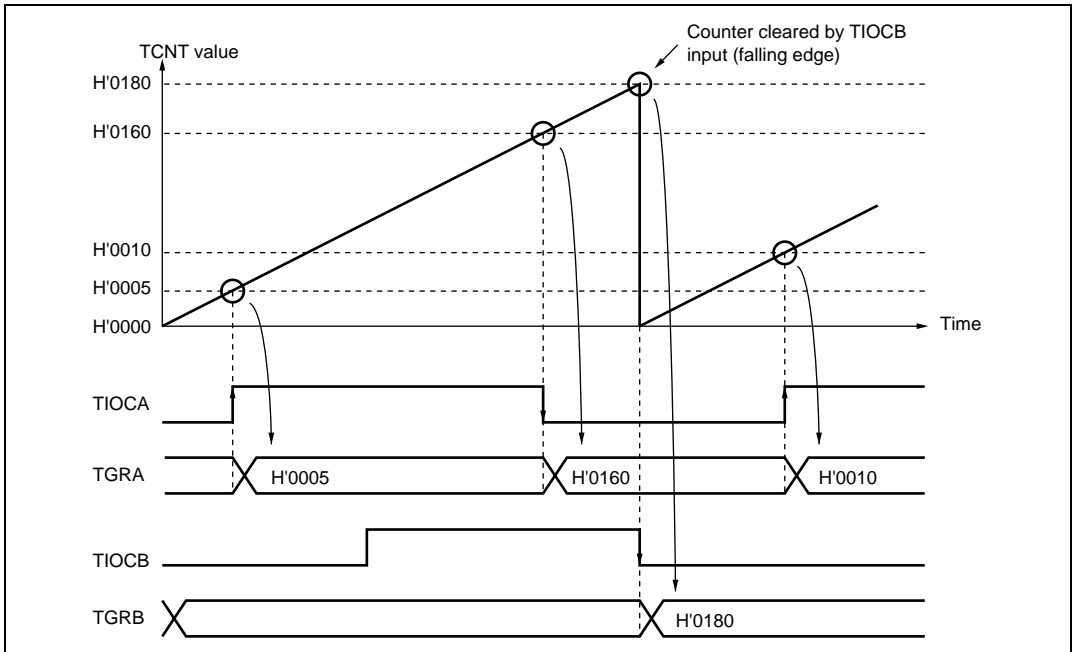
**1. Example of input capture operation setting procedure:** Figure 8.8 shows an example of the input capture operation setting procedure.



**Figure 8.8 Example of Input Capture Operation Setting Procedure**

**2. Example of input capture operation:** Figure 8.9 shows an example of input capture operation.

In this example both rising and falling edges have been selected as the TIOCA pin input capture input edge, the falling edge has been selected as the TIOCB pin input capture input edge, and counter clearing by TGRB input capture has been designated for TCNT.



**Figure 8.9 Example of Input Capture Operation**

### 8.4.2 Synchronous Operation

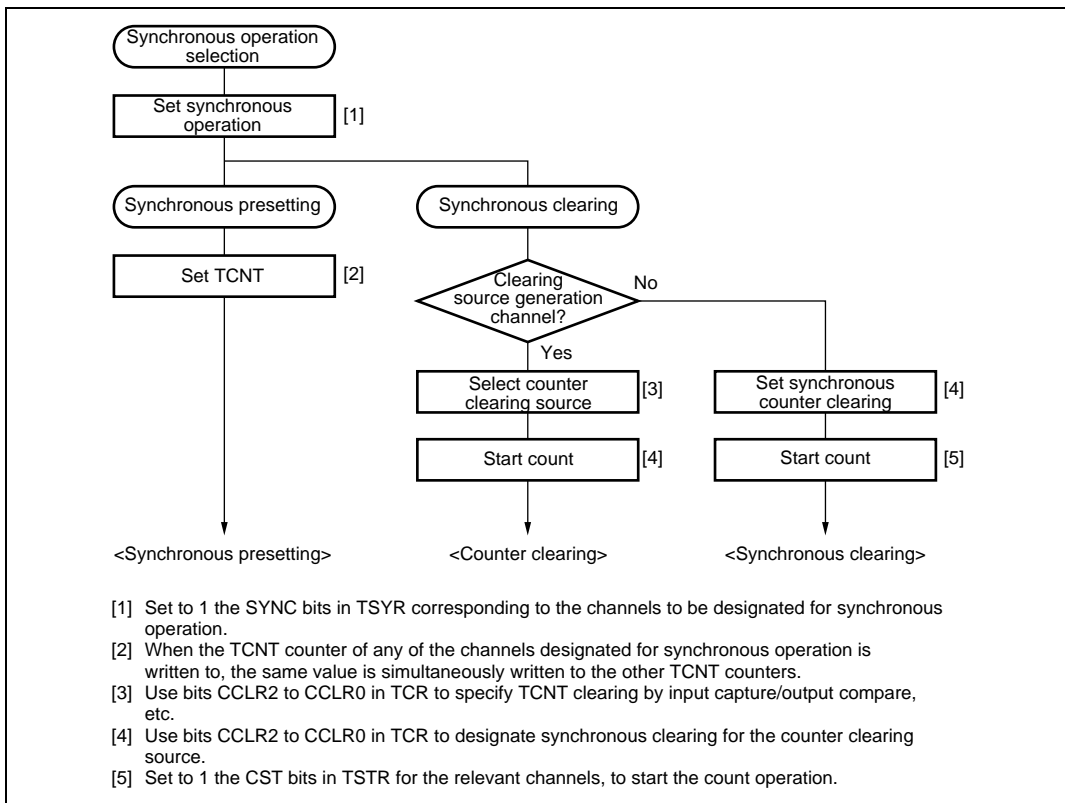
In synchronous operation, the values in a number of TCNT counters can be rewritten simultaneously (synchronous presetting). Also, a number of TCNT counters can be cleared simultaneously by making the appropriate setting in TCR (synchronous clearing).

Synchronous operation enables TGR to be incremented with respect to a single time base.

Channels 0 to 2 can all be designated for synchronous operation.

## Example of Synchronous Operation Setting Procedure

Figure 8.10 shows an example of the synchronous operation setting procedure.



**Figure 8.10 Example of Synchronous Operation Setting Procedure**

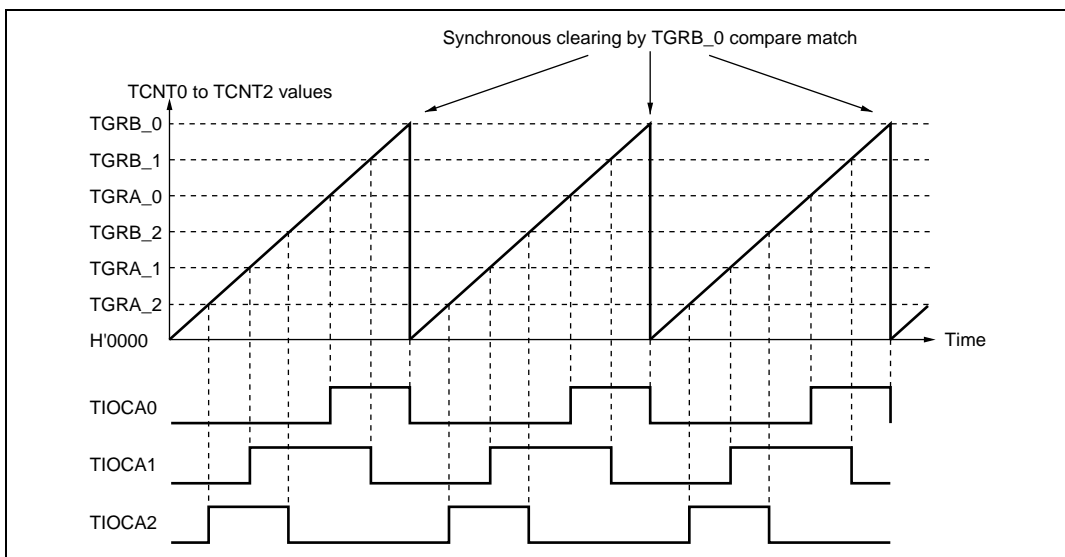
## Example of Synchronous Operation

Figure 8.11 shows an example of synchronous operation.

In this example, synchronous operation and PWM mode 1 have been designated for channels 0 to 2, TGRB\_0 compare match has been set as the channel 0 counter clearing source, and synchronous clearing has been set for the channel 1 and 2 counter clearing source.

Three-phase PWM waveforms are output from pins TIOC0A, TIOC1A, and TIOC2A. At this time, synchronous presetting, and synchronous clearing by TGRB\_0 compare match, are performed for channel 0 to 2 TCNT counters, and the data set in TGRB\_0 is used as the PWM cycle.

For details of PWM modes, see section 8.4.4, PWM Modes.



**Figure 8.11 Example of Synchronous Operation**

### 8.4.3 Buffer Operation

Buffer operation, provided for channel 0, enables TGRC and TGRD to be used as buffer registers.

Buffer operation differs depending on whether TGR has been designated as an input capture register or as a compare match register.

Table 8.17 shows the register combinations used in buffer operation.

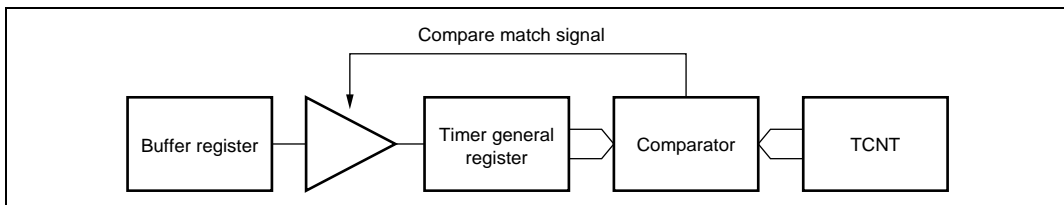
**Table 8.17 Register Combinations in Buffer Operation**

Channel	Timer General Register	Buffer Register
0	TGRA_0	TGRC_0
	TGRB_0	TGRD_0

- When TGR is an output compare register

When a compare match occurs, the value in the buffer register for the corresponding channel is transferred to the timer general register.

This operation is illustrated in figure 8.12.

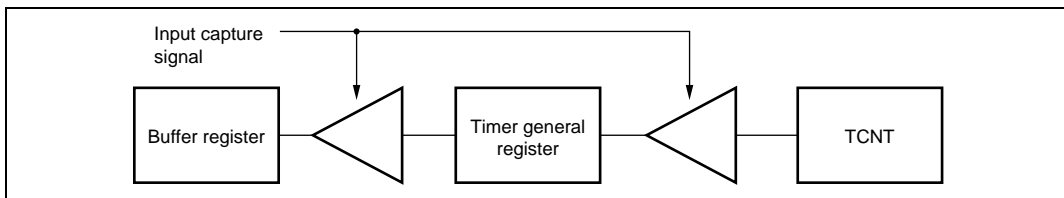


**Figure 8.12 Compare Match Buffer Operation**

- When TGR is an input capture register

When input capture occurs, the value in TCNT is transferred to TGR and the value previously held in the timer general register is transferred to the buffer register.

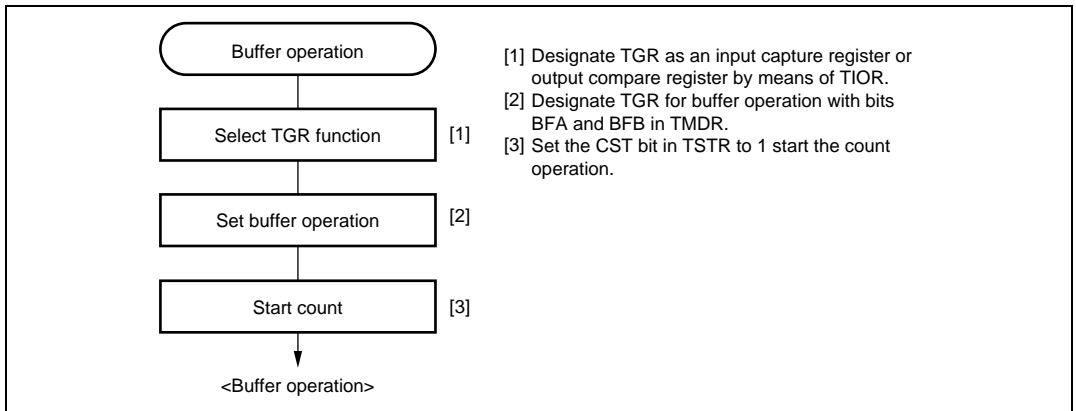
This operation is illustrated in figure 8.13.



**Figure 8.13 Input Capture Buffer Operation**

## Example of Buffer Operation Setting Procedure

Figure 8.14 shows an example of the buffer operation setting procedure.



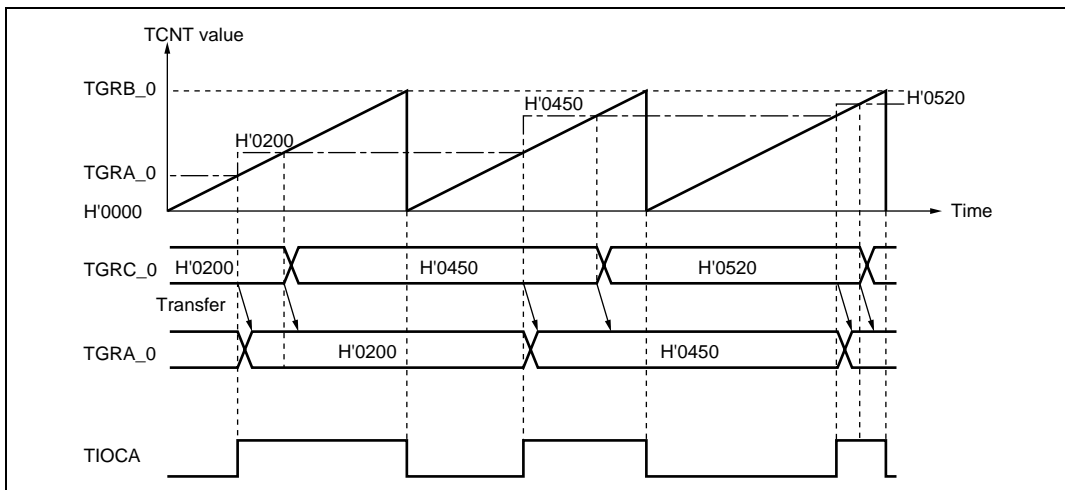
**Figure 8.14 Example of Buffer Operation Setting Procedure**

## Examples of Buffer Operation

**1. When TGR is an output compare register:** Figure 8.15 shows an operation example in which PWM mode 1 has been designated for channel 0, and buffer operation has been designated for TGRA and TGRC. The settings used in this example are TCNT clearing by compare match B, 1 output at compare match A, and 0 output at compare match B.

As buffer operation has been set, when compare match A occurs the output changes and the value in buffer register TGRC is simultaneously transferred to timer general register TGRA. This operation is repeated each time that compare match A occurs.

For details of PWM modes, see section 8.4.4, PWM Modes.



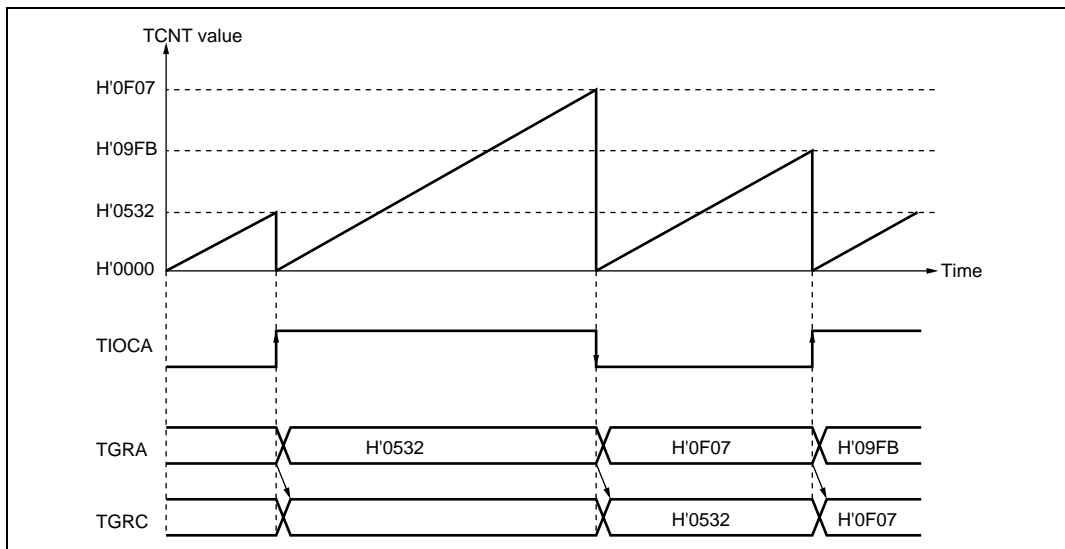
**Figure 8.15 Example of Buffer Operation (1)**



**2. When TGR is an input capture register:** Figure 8.16 shows an operation example in which TGRA has been designated as an input capture register, and buffer operation has been designated for TGRA and TGRC.

Counter clearing by TGRA input capture has been set for TCNT, and both rising and falling edges have been selected as the TIOCA pin input capture input edge.

As buffer operation has been set, when the TCNT value is stored in TGRA upon the occurrence of input capture A, the value previously stored in TGRA is simultaneously transferred to TGRC.



**Figure 8.16 Example of Buffer Operation (2)**

#### 8.4.4 PWM Modes

In PWM mode, PWM waveforms are output from the output pins. The output level can be selected as 0, 1, or toggle output in response to a compare match of each TGR.

TGR registers settings can be used to output a PWM waveform in the range of 0% to 100% duty.

Designating TGR compare match as the counter clearing source enables the period to be set in that register. All channels can be designated for PWM mode independently. Synchronous operation is also possible.

There are two PWM modes, as described below.

- PWM mode 1

PWM output is generated from the TIOCA and TIOCC pins by pairing TGRA with TGRB and TGRC with TGRD. The output specified by bits IOA0 to IOA3 and IOC0 to IOC3 in TIOR is output from the TIOCA and TIOCC pins at compare matches A and C, and the output specified by bits IOB0 to IOB3 and IOD0 to IOD3 in TIOR is output at compare matches B and D. The initial output value is the value set in TGRA or TGRC. If the set values of paired TGRs are identical, the output value does not change when a compare match occurs.

In PWM mode 1, a maximum 4-phase PWM output is possible.

- PWM mode 2

PWM output is generated using one TGR as the cycle register and the others as duty registers. The output specified in TIOR is performed by means of compare matches. Upon counter clearing by a synchronization register compare match, the output value of each pin is the initial value set in TIOR. If the set values of the cycle and duty registers are identical, the output value does not change when a compare match occurs.

In PWM mode 2, a maximum 7-phase PWM output is possible in combination use with synchronous operation.

The correspondence between PWM output pins and registers is shown in table 8.18.

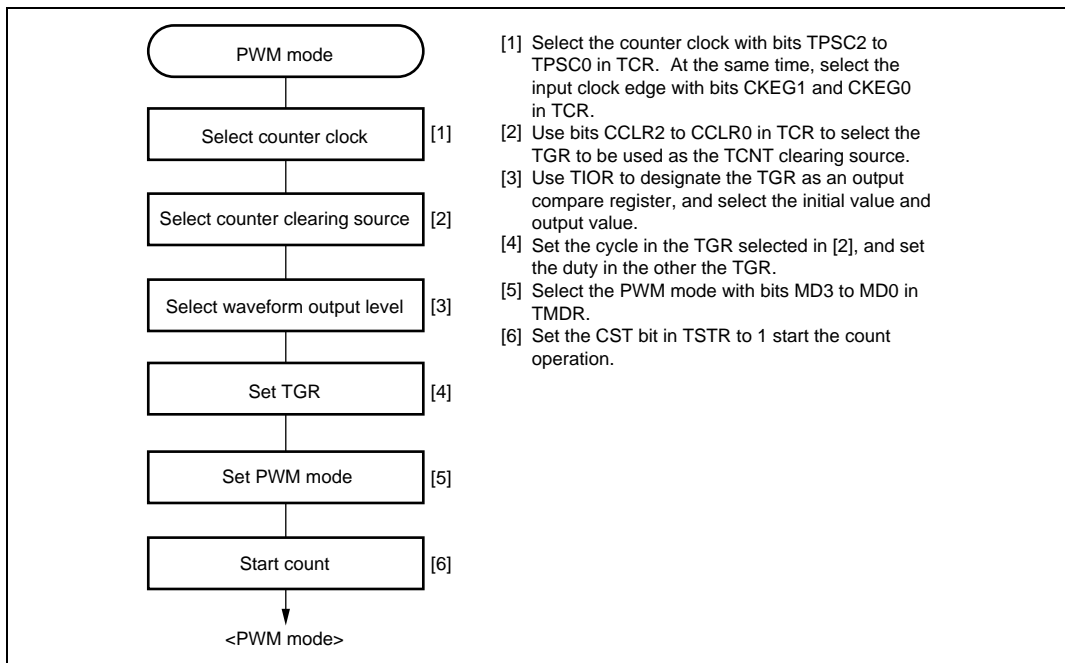
**Table 8.18 PWM Output Registers and Output Pins**

Channel	Registers	Output Pins	
		PWM Mode 1	PWM Mode 2
0	TGRA_0	TIOCA0	TIOCA0
	TGRB_0		TIOCB0
	TGRC_0	TIOCC0	TIOCC0
	TGRD_0		TIOCD0
1	TGRA_1	TIOCA1	TIOCA1
	TGRB_1		TIOCB1
2	TGRA_2	TIOCA2	TIOCA2
	TGRB_2		TIOCB2

Note: In PWM mode 2, PWM output is not possible for the TGR register in which the period is set.

### Example of PWM Mode Setting Procedure

Figure 8.17 shows an example of the PWM mode setting procedure.



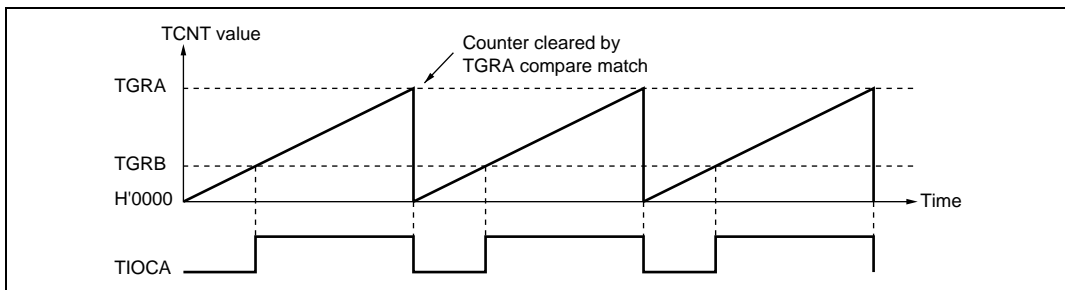
**Figure 8.17 Example of PWM Mode Setting Procedure**

## Examples of PWM Mode Operation

Figure 8.18 shows an example of PWM mode 1 operation.

In this example, TGRA compare match is set as the TCNT clearing source, 0 is set for the TGRA initial output value and output value, and 1 is set as the TGRB output value.

In this case, the value set in TGRA is used as the period, and the values set in the TGRB registers are used as the duty levels.

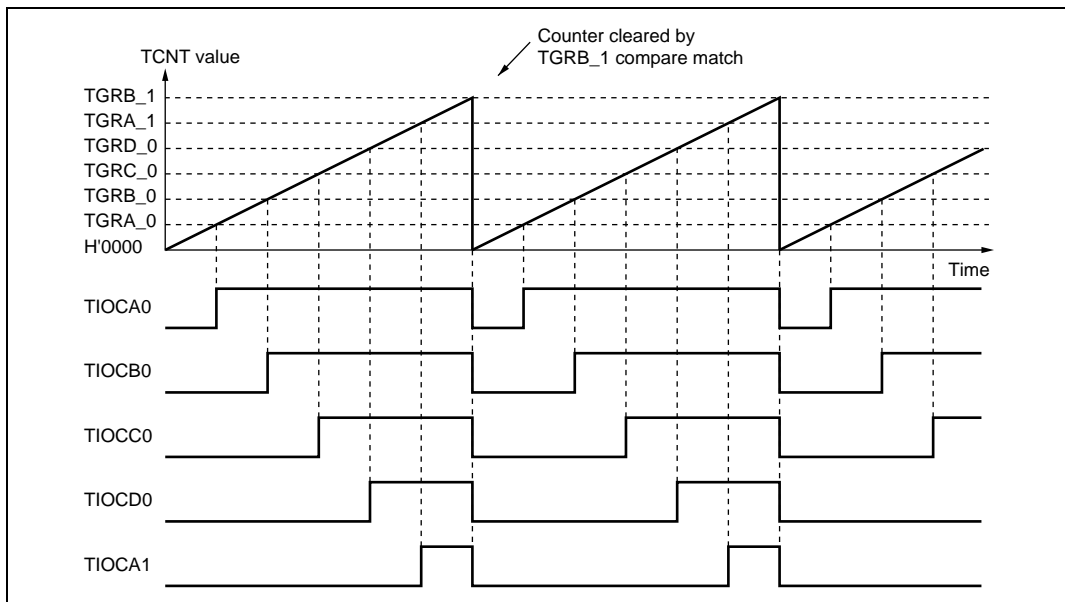


**Figure 8.18 Example of PWM Mode Operation (1)**

Figure 8.19 shows an example of PWM mode 2 operation.

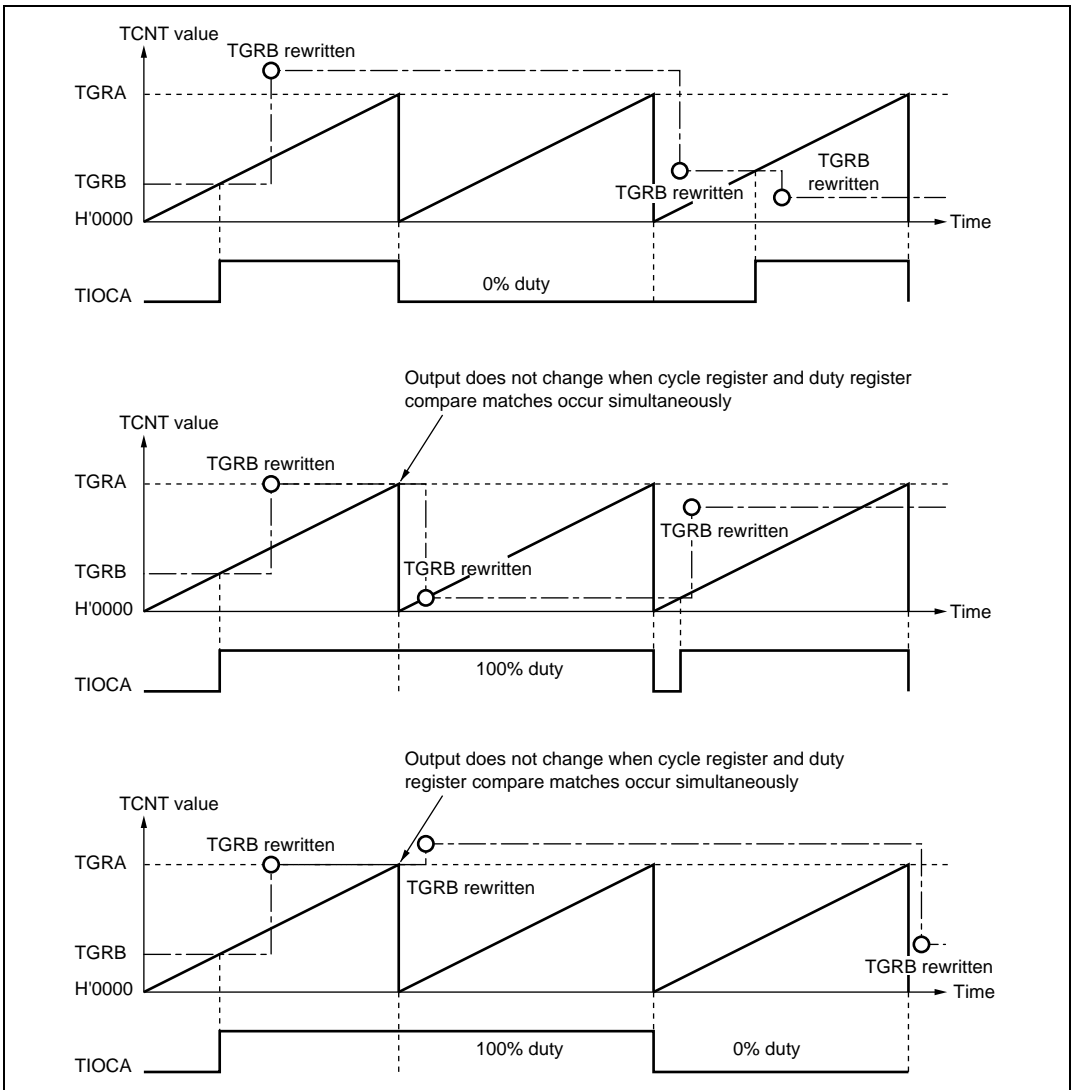
In this example, synchronous operation is designated for channels 0 and 1, TGRB\_1 compare match is set as the TCNT clearing source, and 0 is set for the initial output value and 1 for the output value of the other TGR registers (TGRA\_0 to TGRD\_0, TGRA\_1), outputting a 5-phase PWM waveform.

In this case, the value set in TGRB\_1 is used as the cycle, and the values set in the other TGRs are used as the duty levels.



**Figure 8.19 Example of PWM Mode Operation (2)**

Figure 8.20 shows examples of PWM waveform output with 0% duty and 100% duty in PWM mode.



**Figure 8.20 Example of PWM Mode Operation (3)**

### 8.4.5 Phase Counting Mode

In phase counting mode, the phase difference between two external clock inputs is detected and TCNT is incremented/decremented accordingly. This mode can be set for channels 1 and 2.

When phase counting mode is set, an external clock is selected as the counter input clock and TCNT operates as an up/down-counter regardless of the setting of bits TPSC0 to TPSC2 and bits CKEG0 and CKEG1 in TCR. However, the functions of bits CCLR0 and CCLR1 in TCR, and of TIOR, TIER, and TGR, are valid, and input capture/compare match and interrupt functions can be used.

This can be used for two-phase encoder pulse input.

If overflow occurs when TCNT is counting up, the TCFV flag in TSR is set; if underflow occurs when TCNT is counting down, the TCFU flag is set.

The TCFD bit in TSR is the count direction flag. Reading the TCFD flag reveals whether TCNT is counting up or down.

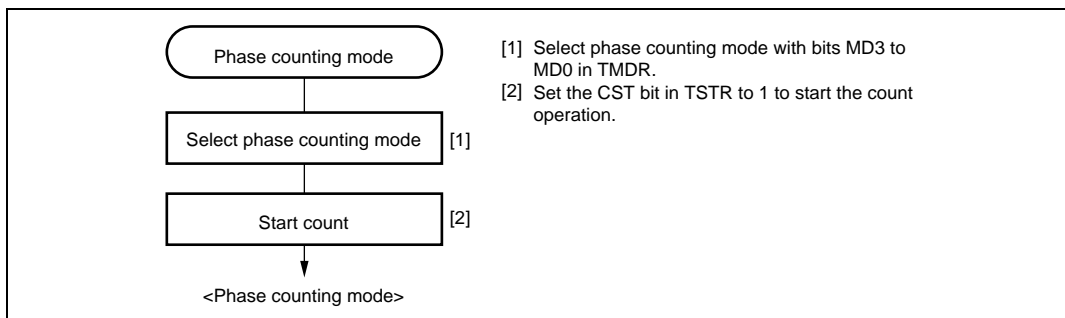
Table 8.19 shows the correspondence between external clock pins and channels.

**Table 8.19 Phase Counting Mode Clock Input Pins**

Channels	External Clock Pins	
	A-Phase	B-Phase
When channel 1 is set to phase counting mode	TCLKA	TCLKB
When channel 2 is set to phase counting mode	TCLKC	TCLKD

### Example of Phase Counting Mode Setting Procedure

Figure 8.21 shows an example of the phase counting mode setting procedure.

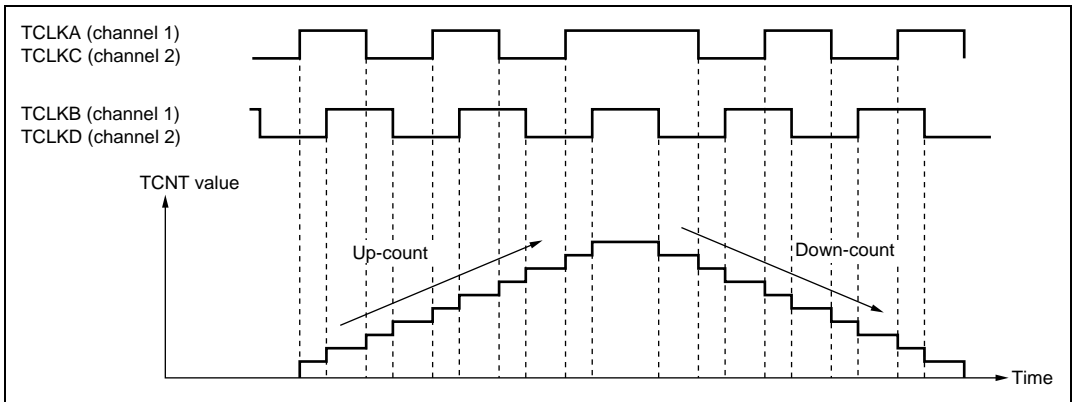


**Figure 8.21 Example of Phase Counting Mode Setting Procedure**

## Examples of Phase Counting Mode Operation

In phase counting mode, TCNT counts up or down according to the phase difference between two external clocks. There are four modes, according to the count conditions.

**1. Phase counting mode 1:** Figure 8.22 shows an example of phase counting mode 1 operation, and table 8.20 summarizes the TCNT up/down-count conditions.



**Figure 8.22 Example of Phase Counting Mode 1 Operation**

**Table 8.20 Up/Down-Count Conditions in Phase Counting Mode 1**

TCLKA (Channel 1) TCLKC (Channel 2)	TCLKB (Channel 1) TCLKD (Channel 2)	Operation
High level		Up-count
Low level		
	Low level	
	High level	
High level		Down-count
Low level		
	High level	
	Low level	

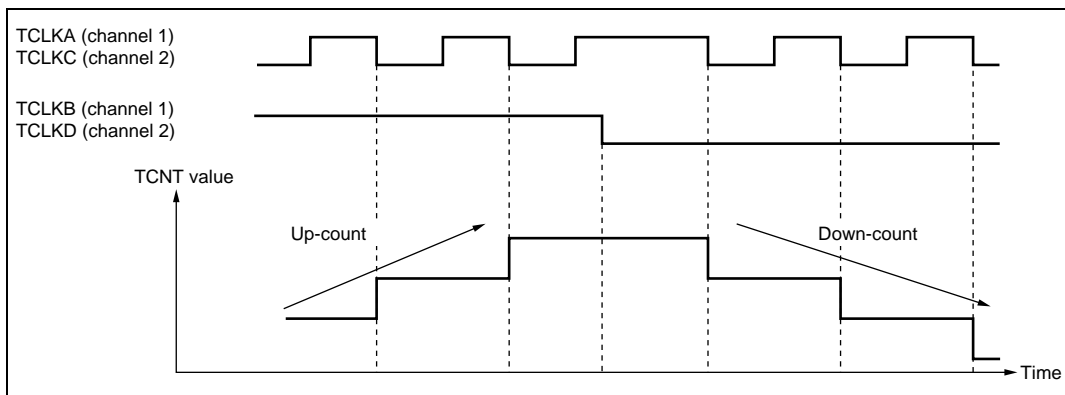
Legend:

: Rising edge

: Falling edge



**2. Phase counting mode 2:** Figure 8.23 shows an example of phase counting mode 2 operation, and table 8.21 summarizes the TCNT up/down-count conditions.



**Figure 8.23 Example of Phase Counting Mode 2 Operation**

**Table 8.21 Up/Down-Count Conditions in Phase Counting Mode 2**

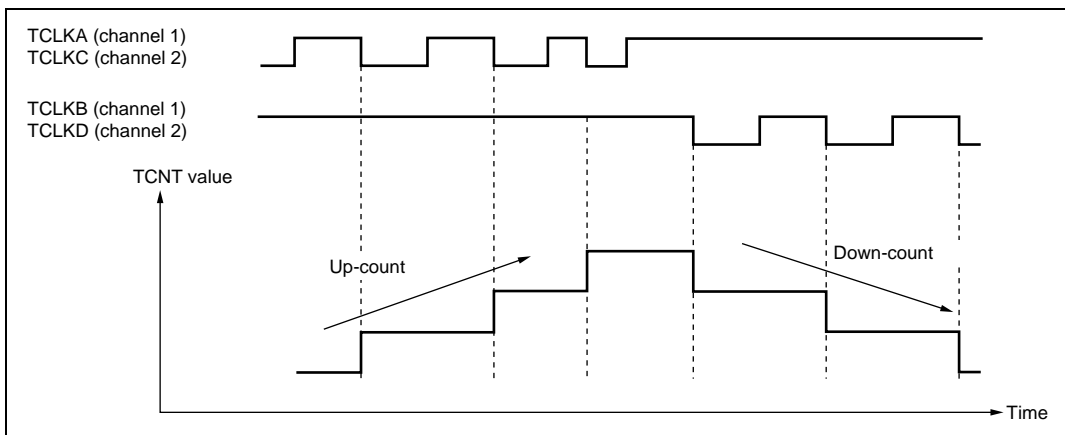
TCLKA (Channel 1) TCLKC (Channel 2)	TCLKB (Channel 1) TCLKD (Channel 2)	Operation
High level	$\uparrow$	Don't care
Low level	$\downarrow$	Don't care
$\uparrow$	Low level	Up-count
$\downarrow$	High level	Up-count
High level	$\downarrow$	Down-count
Low level	$\uparrow$	Down-count
$\uparrow$	High level	Down-count
$\downarrow$	Low level	Down-count

Legend:

$\uparrow$ : Rising edge

$\downarrow$ : Falling edge

**3. Phase counting mode 3:** Figure 8.24 shows an example of phase counting mode 3 operation, and table 8.22 summarizes the TCNT up/down-count conditions.



**Figure 8.24 Example of Phase Counting Mode 3 Operation**

**Table 8.22 Up/Down-Count Conditions in Phase Counting Mode 3**

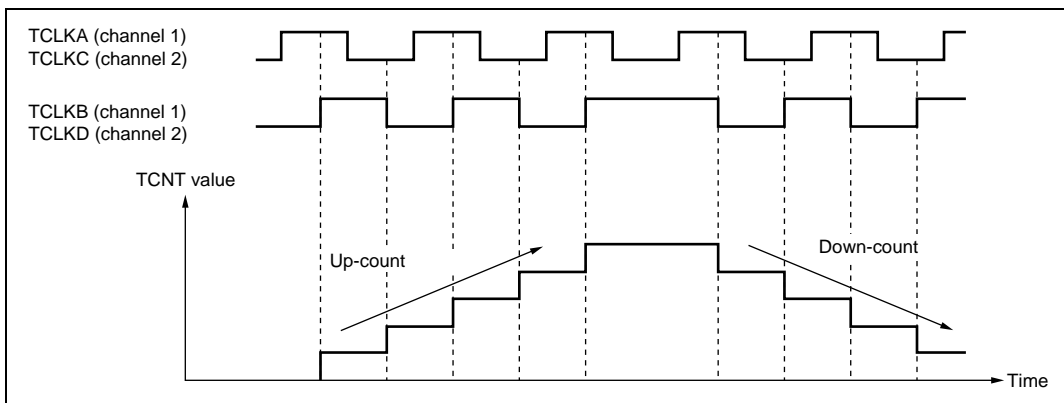
TCLKA (Channel 1) TCLKC (Channel 2)	TCLKB (Channel 1) TCLKD (Channel 2)	Operation
High level		Don't care
Low level		Don't care
	Low level	Up-count
	High level	Down-count
High level		Down-count
Low level		Don't care
	High level	Up-count
	Low level	Down-count

Legend:

: Rising edge

: Falling edge

**4. Phase counting mode 4:** Figure 8.25 shows an example of phase counting mode 4 operation, and table 8.23 summarizes the TCNT up/down-count conditions.



**Figure 8.25 Example of Phase Counting Mode 4 Operation**

**Table 8.23 Up/Down-Count Conditions in Phase Counting Mode 4**

TCLKA (Channel 1) TCLKC (Channel 2)	TCLKB (Channel 1) TCLKD (Channel 2)	Operation
High level		Up-count
Low level		Up-count
	Low level	Don't care
	High level	Don't care
High level		Down-count
Low level		Down-count
	High level	Don't care
	Low level	Don't care

Legend:

- : Rising edge
- : Falling edge

### Phase Counting Mode Application Example

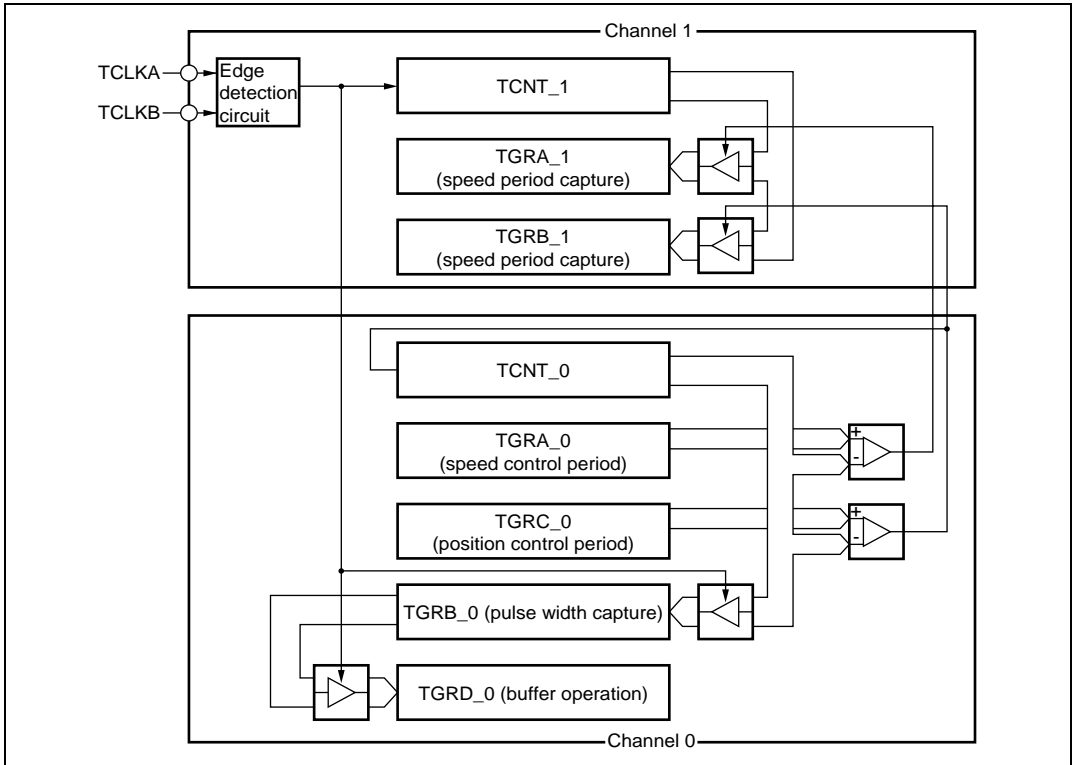
Figure 8.26 shows an example in which channel 1 is in phase counting mode, and channel 1 is coupled with channel 0 to input servo motor 2-phase encoder pulses in order to detect position or speed.

Channel 1 is set to phase counting mode 1, and the encoder pulse A-phase and B-phase are input to TCLKA and TCLKB.

Channel 0 operates with TCNT counter clearing by TGRC\_0 compare match; TGRA\_0 and TGRC\_0 are used for the compare match function and are set with the speed control period and position control period. TGRB\_0 is used for input capture, with TGRB\_0 and TGRD\_0 operating in buffer mode. The channel 1 counter input clock is designated as the TGRB\_0 input capture source, and the pulse widths of 2-phase encoder 4-multiplication pulses are detected.

TGRA\_1 and TGRB\_1 for channel 1 are designated for input capture, and channel 0 TGRA\_0 and TGRC\_0 compare matches are selected as the input capture source and store the up/down-counter values for the control periods.

This procedure enables the accurate detection of position and speed.



**Figure 8.26 Phase Counting Mode Application Example**

## 8.5 Interrupts

There are three kinds of TPU interrupt source; TGR input capture/compare match, TCNT overflow, and TCNT underflow. Each interrupt source has its own status flag and enable/disable bit, allowing the generation of interrupt request signals to be enabled or disabled individually.

When an interrupt request is generated, the corresponding status flag in TSR is set to 1. If the corresponding enable/disable bit in TIER is set to 1 at this time, an interrupt is requested. The interrupt request is cleared by clearing the status flag to 0.

Relative channel priorities can be changed by the interrupt controller, however the priority order within a channel is fixed. For details, see section 5, Interrupt Controller.

Table 8.24 lists the TPU interrupt sources.

**Table 8.24 TPU Interrupts**

Channel	Name	Interrupt Source	Interrupt Flag
0	TGI0A	TGRA_0 input capture/compare match	TGFA0
	TGI0B	TGRB_0 input capture/compare match	TGFB0
	TGI0C	TGRC_0 input capture/compare match	TGFC0
	TGI0D	TGRD_0 input capture/compare match	TGFD0
	TCI0V	TCNT_0 overflow	TCFV0
1	TGI1A	TGRA_1 input capture/compare match	TGFA1
	TGI1B	TGRB_1 input capture/compare match	TGFB1
	TCI1V	TCNT_1 overflow	TCFV1
	TCI1U	TCNT_1 underflow	TCFU1
2	TGI2A	TGRA_2 input capture/compare match	TGFA2
	TGI2B	TGRB_2 input capture/compare match	TGFB2
	TCI2V	TCNT_2 overflow	TCFV2
	TCI2U	TCNT_2 underflow	TCFU2

Note: This table shows the initial state immediately after a reset. The relative channel priorities can be changed by the interrupt controller.

**Input Capture/Compare Match Interrupt:** An interrupt is requested if the TGIE bit in TIER is set to 1 when the TGF flag in TSR is set to 1 by the occurrence of a TGR input capture/compare match on a particular channel. The interrupt request is cleared by clearing the TGF flag to 0. The TPU has eight input capture/compare match interrupts, four for channel 0, and two each for channels 1 and 2.

**Overflow Interrupt:** An interrupt is requested if the TCIEV bit in TIER is set to 1 when the TCFV flag in TSR is set to 1 by the occurrence of TCNT overflow on a channel. The interrupt request is cleared by clearing the TCFV flag to 0. The TPU has three overflow interrupts, one for each channel.

**Underflow Interrupt:** An interrupt is requested if the TCIEU bit in TIER is set to 1 when the TCFU flag in TSR is set to 1 by the occurrence of TCNT underflow on a channel. The interrupt request is cleared by clearing the TCFU flag to 0. The TPU has two underflow interrupts, one each for channels 1 and 2.

## 8.6 A/D Converter Activation

The A/D converter can be activated by the TGRA input capture/compare match for a channel.

If the TTGE bit in TIER is set to 1 when the TGFA flag in TSR is set to 1 by the occurrence of a TGRA input capture/compare match on a particular channel, a request to begin A/D conversion is sent to the A/D converter. If the TPU conversion start trigger has been selected on the A/D converter side at this time, A/D conversion is begun.

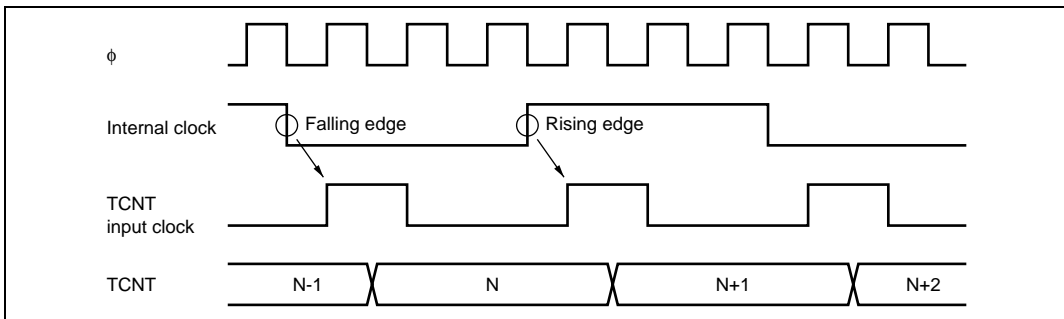
In the TPU, a total of three TGRA input capture/compare match interrupts can be used as A/D converter conversion start sources, one for each channel.

## 8.7 Operation Timing

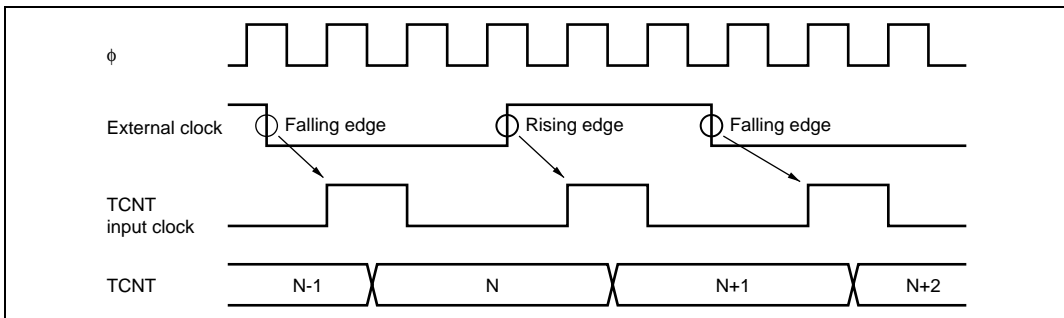
### 8.7.1 Input/Output Timing

#### TCNT Count Timing

Figure 8.27 shows TCNT count timing in internal clock operation, and figure 8.28 shows TCNT count timing in external clock operation.



**Figure 8.27 Count Timing in Internal Clock Operation**



**Figure 8.28 Count Timing in External Clock Operation**



## Output Compare Output Timing

A compare match signal is generated in the final state in which TCNT and TGR match (the point at which the count value matched by TCNT is updated). When a compare match signal is generated, the output value set in TIOR is output at the output compare output pin. After a match between TCNT and TGR, the compare match signal is not generated until the TCNT input clock is generated.

Figure 8.29 shows output compare output timing.

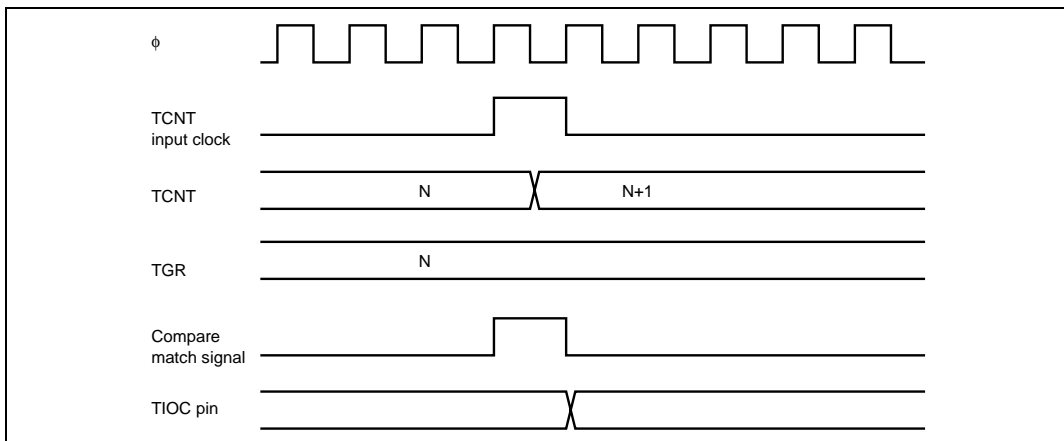


Figure 8.29 Output Compare Output Timing

## Input Capture Signal Timing

Figure 8.30 shows input capture signal timing.

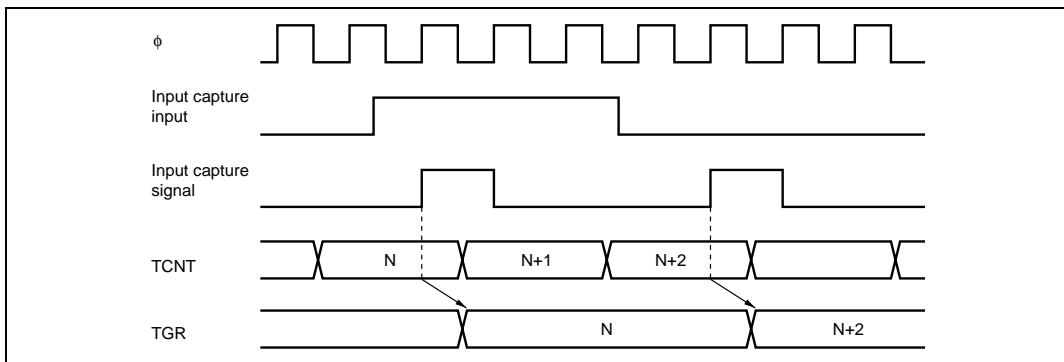
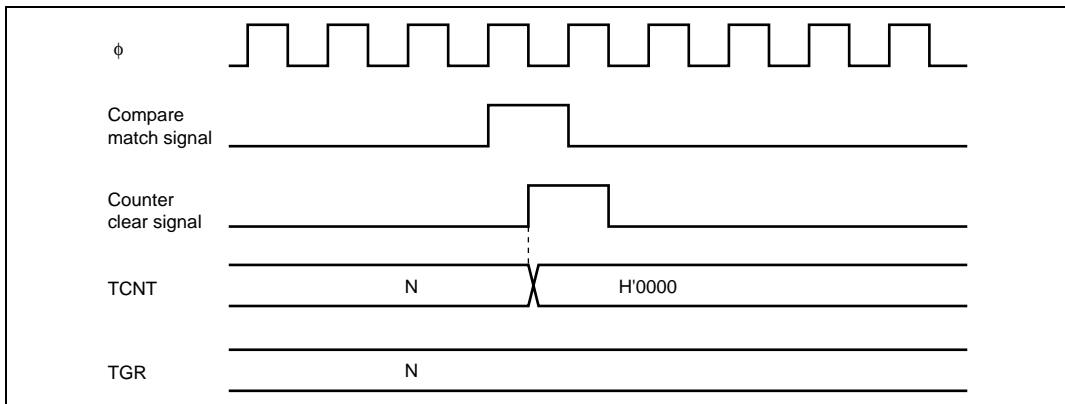


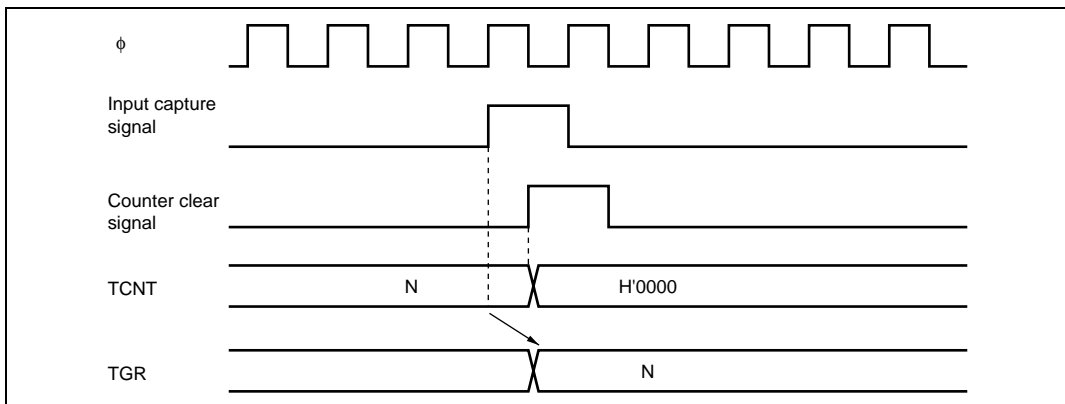
Figure 8.30 Input Capture Input Signal Timing

### Timing for Counter Clearing by Compare Match/Input Capture

Figure 8.31 shows the timing when counter clearing on compare match is specified, and figure 8.32 shows the timing when counter clearing on input capture is specified.



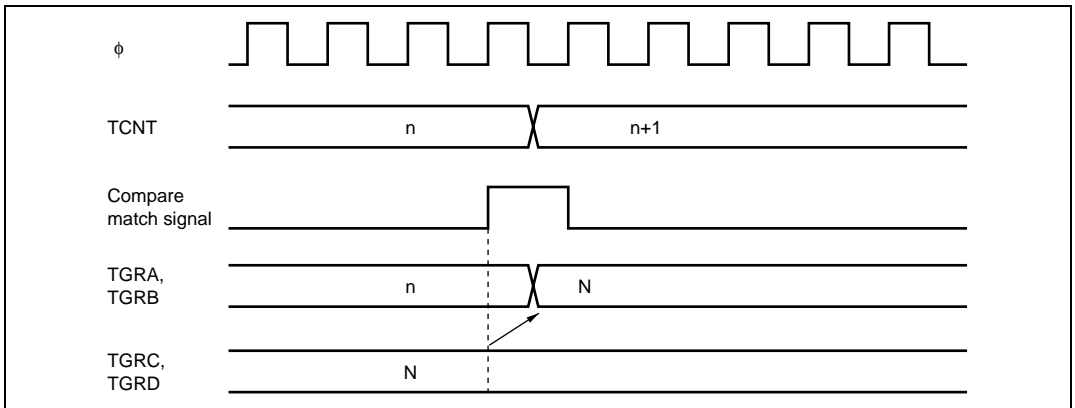
**Figure 8.31 Counter Clear Timing (Compare Match)**



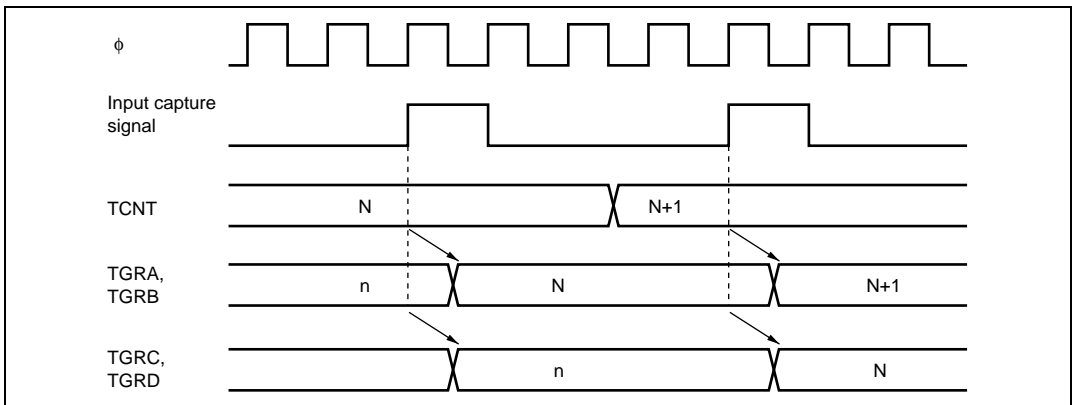
**Figure 8.32 Counter Clear Timing (Input Capture)**

## Buffer Operation Timing

Figures 8.33 and 8.34 show the timing in buffer operation.



**Figure 8.33 Buffer Operation Timing (Compare Match)**

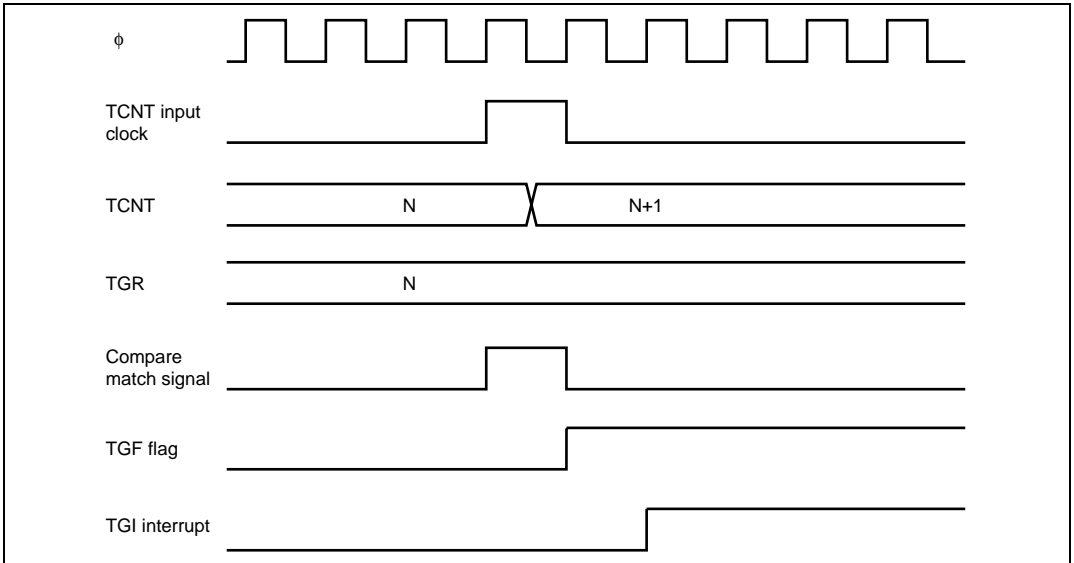


**Figure 8.34 Buffer Operation Timing (Input Capture)**

## 8.7.2 Interrupt Signal Timing

### TGF Flag Setting Timing in Case of Compare Match

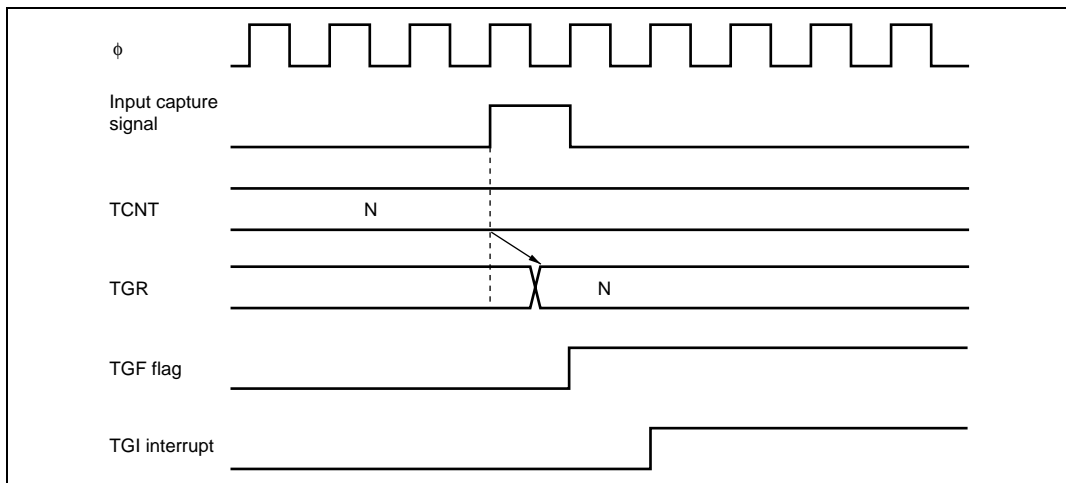
Figure 8.35 shows the timing for setting of the TGF flag in TSR on compare match, and TGI interrupt request signal timing.



**Figure 8.35 TGI Interrupt Timing (Compare Match)**

## TGF Flag Setting Timing in Case of Input Capture

Figure 8.36 shows the timing for setting of the TGF flag in TSR on input capture, and TGI interrupt request signal timing.

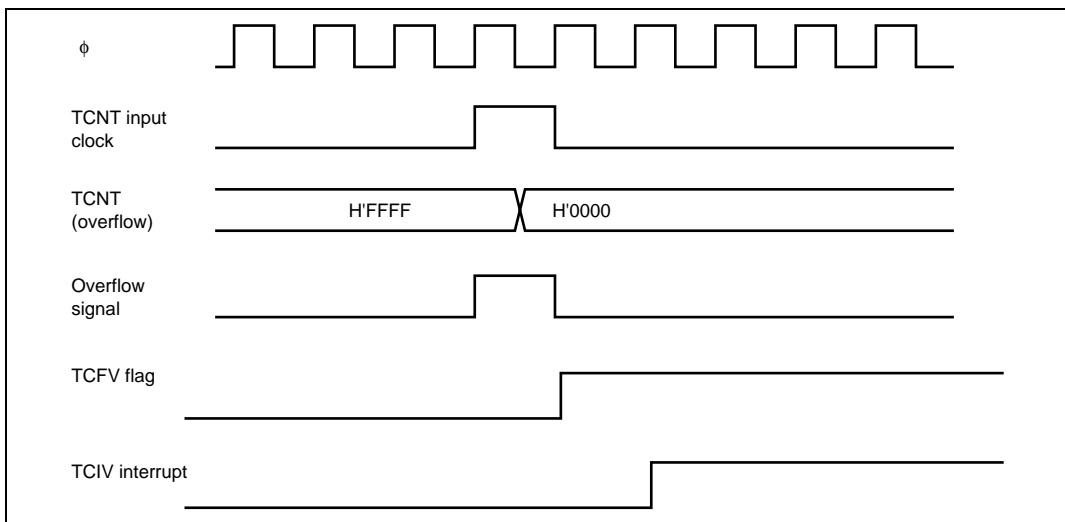


**Figure 8.36 TGI Interrupt Timing (Input Capture)**

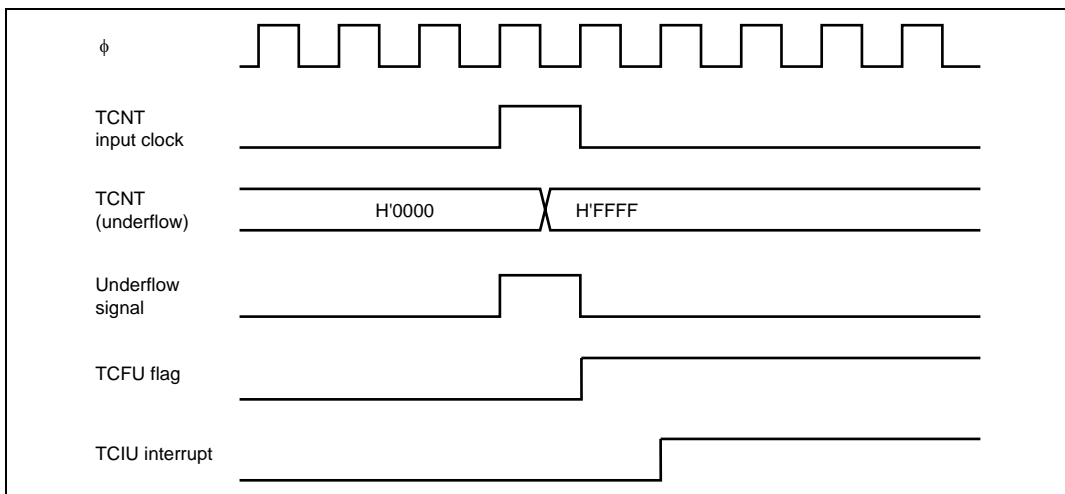
### TCFV Flag/TCFU Flag Setting Timing

Figure 8.37 shows the timing for setting of the TCFV flag in TSR on overflow, and TCIV interrupt request signal timing.

Figure 8.38 shows the timing for setting of the TCFU flag in TSR on underflow, and TCIU interrupt request signal timing.



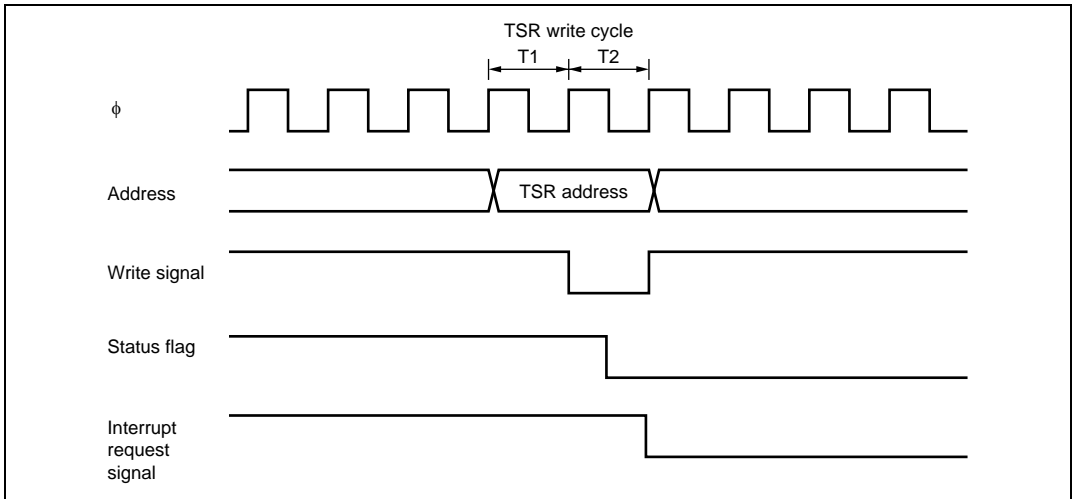
**Figure 8.37 TCIV Interrupt Setting Timing**



**Figure 8.38 TCIU Interrupt Setting Timing**

## Status Flag Clearing Timing

After a status flag is read as 1 by the CPU, it is cleared by writing 0 to it. Figure 8.39 shows the timing for status flag clearing by the CPU.



**Figure 8.39 Timing for Status Flag Clearing by CPU**

## 8.8 Usage Notes

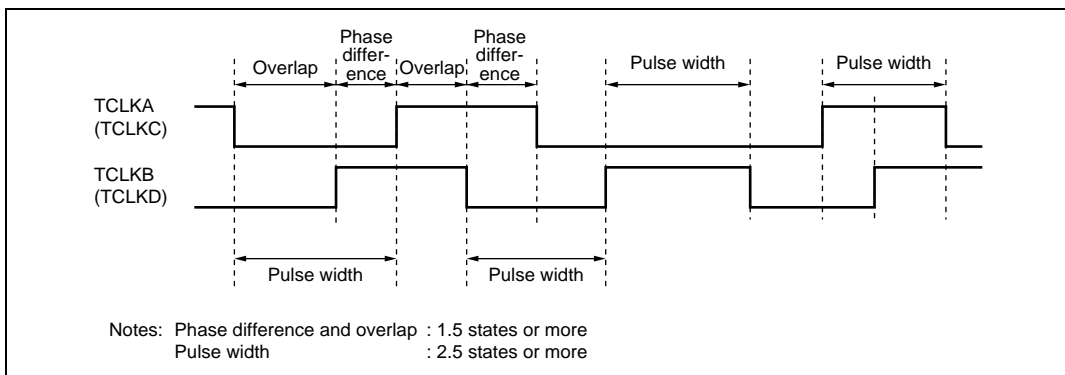
### 8.8.1 Module Stop Mode Setting

TPU operation can be disabled or enabled using the module stop control register. The initial setting is for TPU operation to be halted. Register access is enabled by clearing module stop mode. For details, see section 20, Power-Down Modes.

### 8.8.2 Input Clock Restrictions

The input clock pulse width must be at least 1.5 states in the case of single-edge detection, and at least 2.5 states in the case of both-edge detection. The TPU will not operate properly at narrower pulse widths.

In phase counting mode, the phase difference and overlap between the two input clocks must be at least 1.5 states, and the pulse width must be at least 2.5 states. Figure 8.40 shows the input clock conditions in phase counting mode.



**Figure 8.40 Phase Difference, Overlap, and Pulse Width in Phase Counting Mode**



### 8.8.3 Caution on Period Setting

When counter clearing on compare match is set, TCNT is cleared in the final state in which it matches the TGR value (the point at which the count value matched by TCNT is updated). Consequently, the actual counter frequency is given by the following formula:

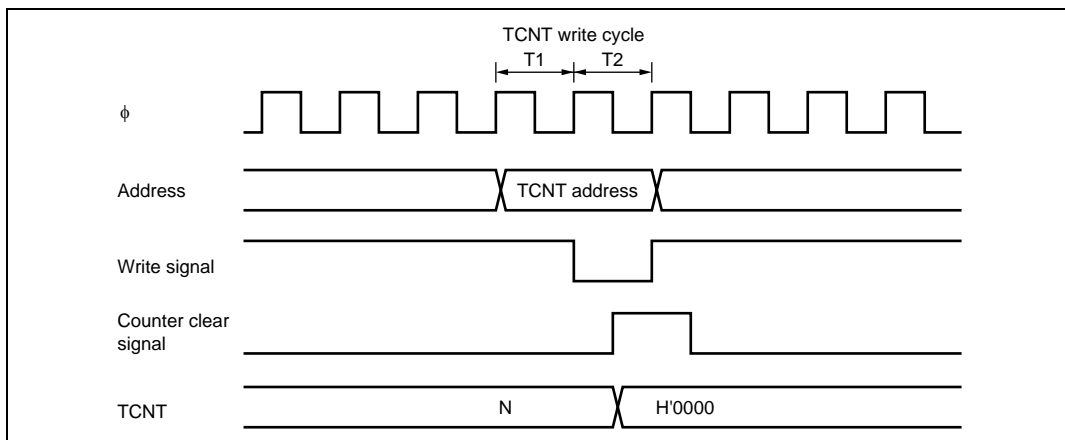
$$f = \frac{\phi}{(N + 1)}$$

Where f: Counter frequency  
 $\phi$ : Operating frequency  
 N: TGR set value

### 8.8.4 Contention between TCNT Write and Clear Operations

If the counter clear signal is generated in the T2 state of a TCNT write cycle, TCNT clearing takes precedence and the TCNT write is not performed.

Figure 8.41 shows the timing in this case.

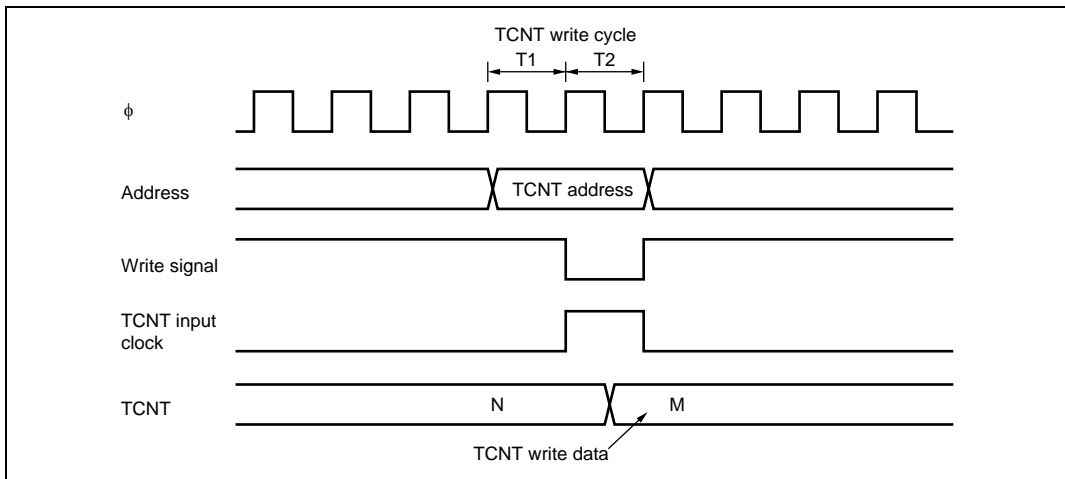


**Figure 8.41 Contention between TCNT Write and Clear Operations**

### 8.8.5 Contention between TCNT Write and Increment Operations

If incrementing occurs in the T2 state of a TCNT write cycle, the TCNT write takes precedence and TCNT is not incremented.

Figure 8.42 shows the timing in this case.

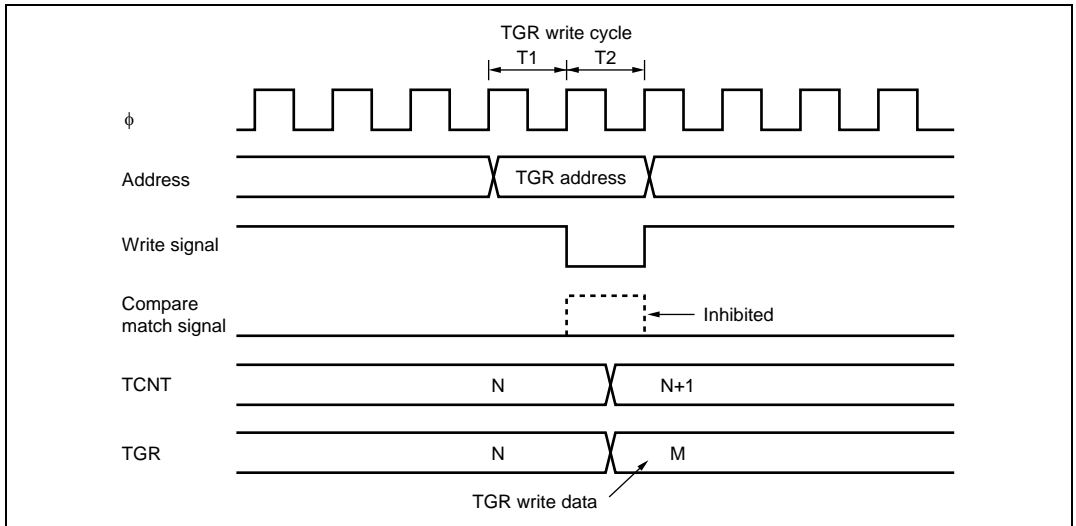


**Figure 8.42 Contention between TCNT Write and Increment Operations**

### 8.8.6 Contention between TGR Write and Compare Match

If a compare match occurs in the T2 state of a TGR write cycle, the TGR write takes precedence and the compare match signal is inhibited. A compare match does not occur even if the previous value is written.

Figure 8.43 shows the timing in this case.

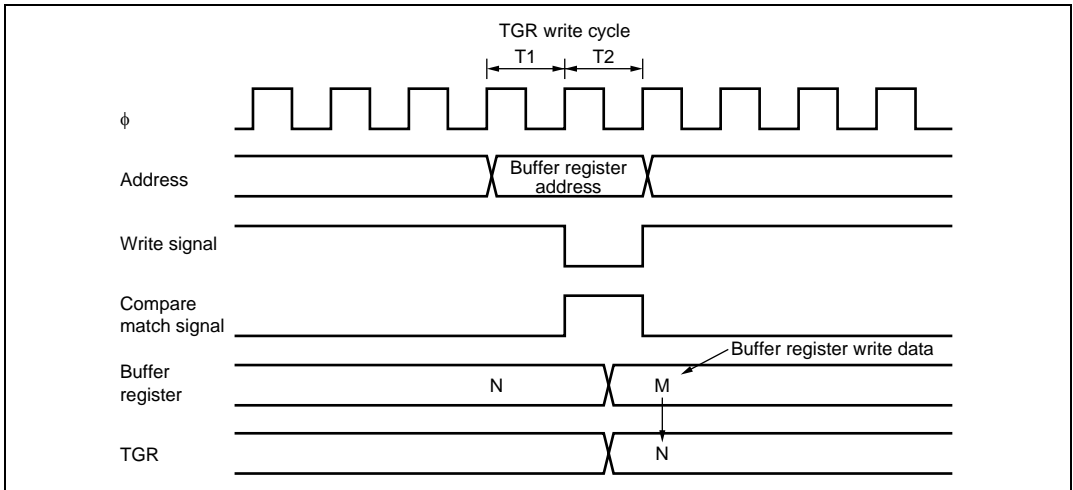


**Figure 8.43 Contention between TGR Write and Compare Match**

### 8.8.7 Contention between Buffer Register Write and Compare Match

If a compare match occurs in the T2 state of a TGR write cycle, the data that is transferred to TGR by the buffer operation will be that in the buffer prior to the write.

Figure 8.44 shows the timing in this case.

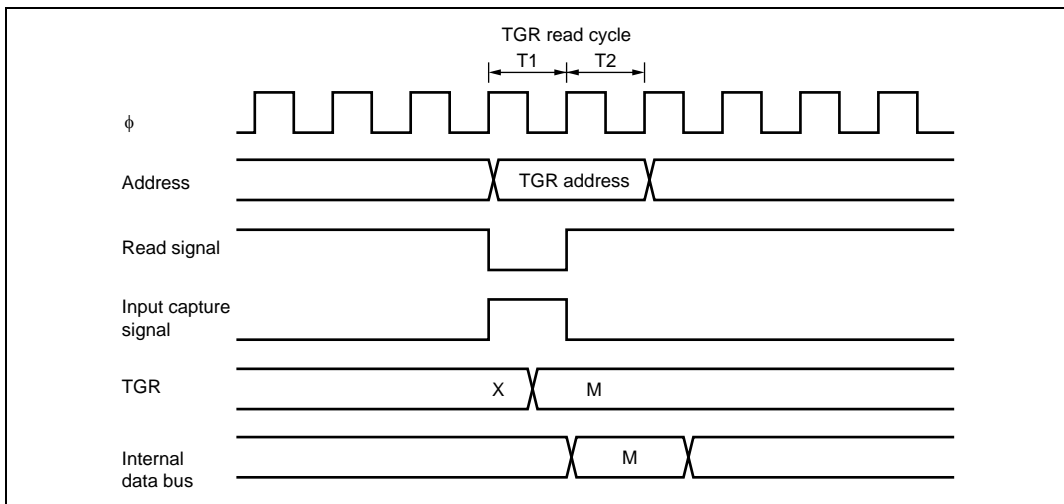


**Figure 8.44 Contention between Buffer Register Write and Compare Match**

### 8.8.8 Contention between TGR Read and Input Capture

If an input capture signal is generated in the T1 state of a TGR read cycle, the data that is read will be that in the buffer after input capture transfer.

Figure 8.45 shows the timing in this case.

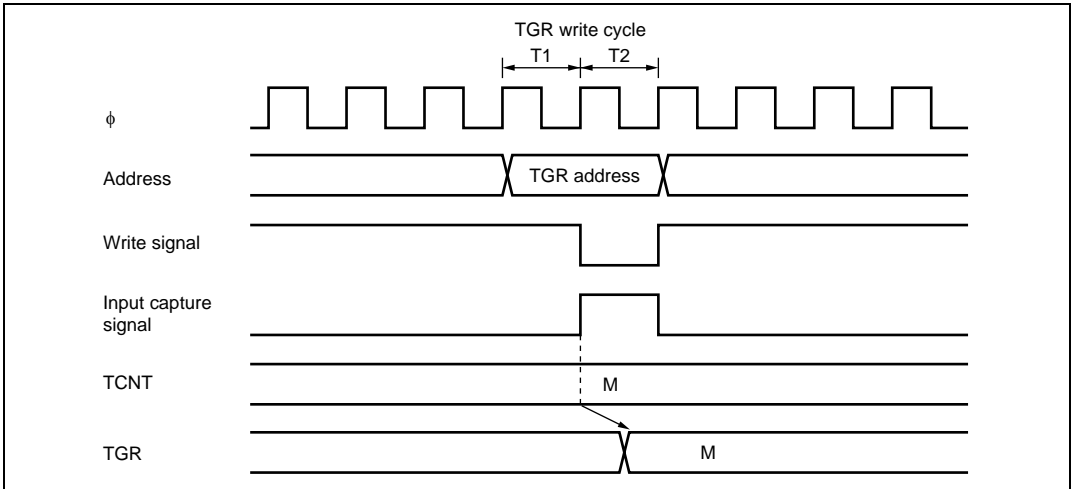


**Figure 8.45 Contention between TGR Read and Input Capture**

### 8.8.9 Contention between TGR Write and Input Capture

If an input capture signal is generated in the T2 state of a TGR write cycle, the input capture operation takes precedence and the write to TGR is not performed.

Figure 8.46 shows the timing in this case.

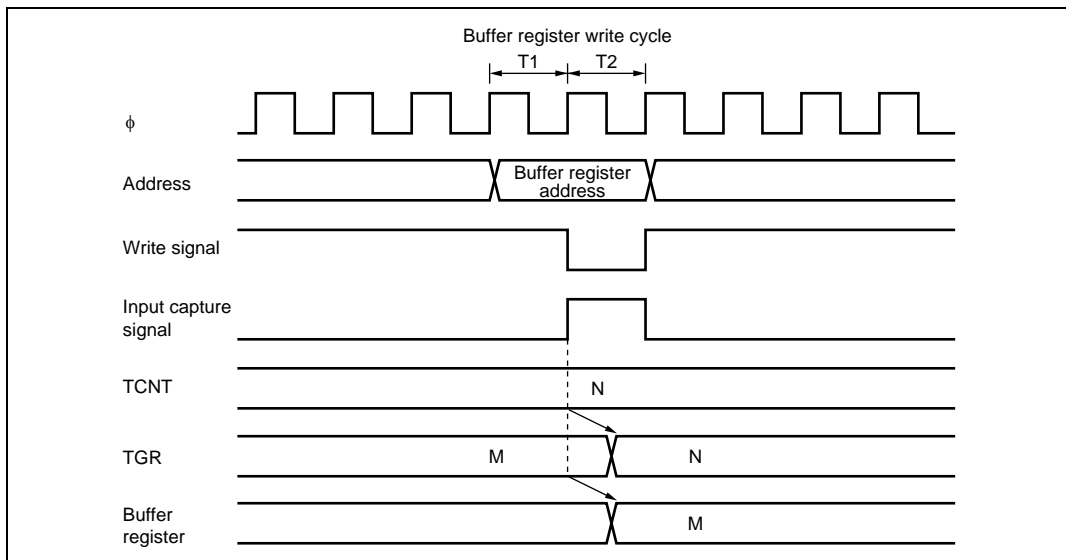


**Figure 8.46 Contention between TGR Write and Input Capture**

### 8.8.10 Contention between Buffer Register Write and Input Capture

If an input capture signal is generated in the T2 state of a buffer register write cycle, the buffer operation takes precedence and the write to the buffer register is not performed.

Figure 8.47 shows the timing in this case.

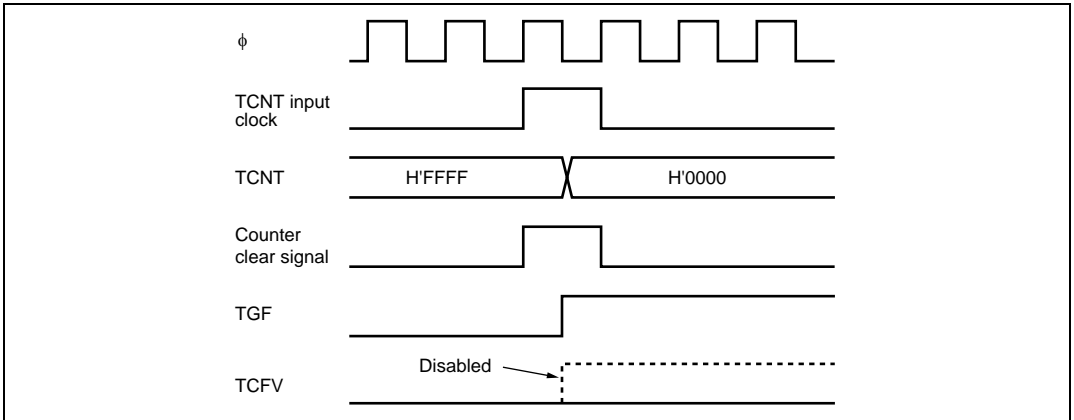


**Figure 8.47 Contention between Buffer Register Write and Input Capture**

### 8.8.11 Contention between Overflow/Underflow and Counter Clearing

If overflow/underflow and counter clearing occur simultaneously, the TCFV/TCFU flag in TSR is not set and TCNT clearing takes precedence.

Figure 8.48 shows the operation timing when a TGR compare match is specified as the clearing source, and when H'FFFF is set in TGR.



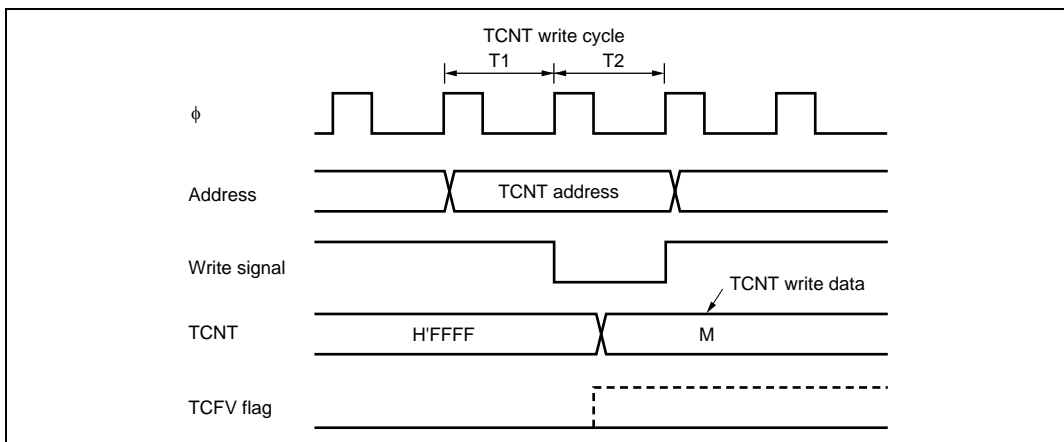
**Figure 8.48** Contention between Overflow and Counter Clearing



### 8.8.12 Contention between TCNT Write and Overflow/Underflow

If there is an up-count or down-count in the T2 state of a TCNT write cycle, and overflow/underflow occurs, the TCNT write takes precedence and the TCFV/TCFU flag in TSR is not set.

Figure 8.49 shows the operation timing when there is contention between TCNT write and overflow.



**Figure 8.49 Contention between TCNT Write and Overflow**

### 8.8.13 Multiplexing of I/O Pins

In this LSI, the TCLKA input pin is multiplexed with the TIOCC0 I/O pin, the TCLKB input pin with the TIOCD0 I/O pin, the TCLKC input pin with the TIOCB1 I/O pin, and the TCLKD input pin with the TIOCB2 I/O pin. When an external clock is input, compare match output should not be performed from a multiplexed pin.

### 8.8.14 Interrupts in Module Stop Mode

If module stop mode is entered when an interrupt has been requested, it will not be possible to clear the CPU interrupt source. Interrupts should therefore be disabled before entering module stop mode.

### **8.8.15 Interrupts in Subactive Mode/Watch Mode**

If subactive mode/watch mode is entered when an interrupt has been requested, it will not be possible to clear the CPU interrupt source. Interrupts should therefore be disabled before entering subactive mode/watch mode.

## Section 9 Watchdog Timer

The watchdog timer (WDT\_0, WDT\_1) is an 8-bit timer that can generate an internal reset signal for this LSI if a system crash prevents the CPU from writing to the timer counter, thus allowing it to overflow.

When this watchdog function is not needed, the WDT can be used as an interval timer. In interval timer operation, an interval timer interrupt is generated each time the counter overflows.

The block diagram of the WDT\_0 is shown in figure 9.1. The block diagram of the WDT\_1 is shown in figure 9.2.

### 9.1 Features

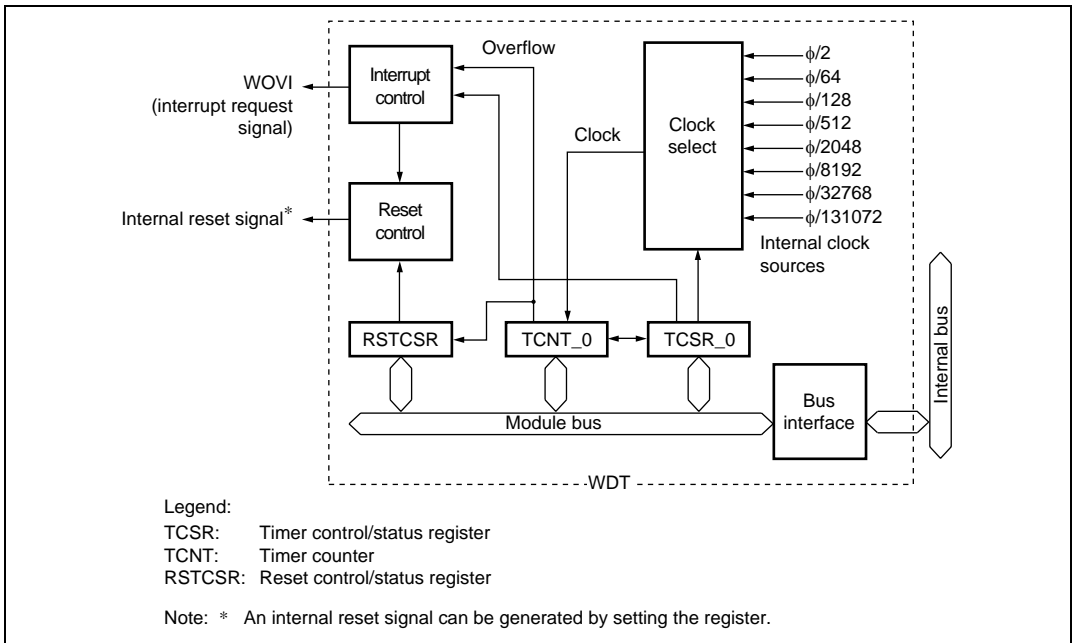
- Selectable from eight counter input clocks.
- Switchable between watchdog timer mode and interval timer mode

In watchdog timer mode:

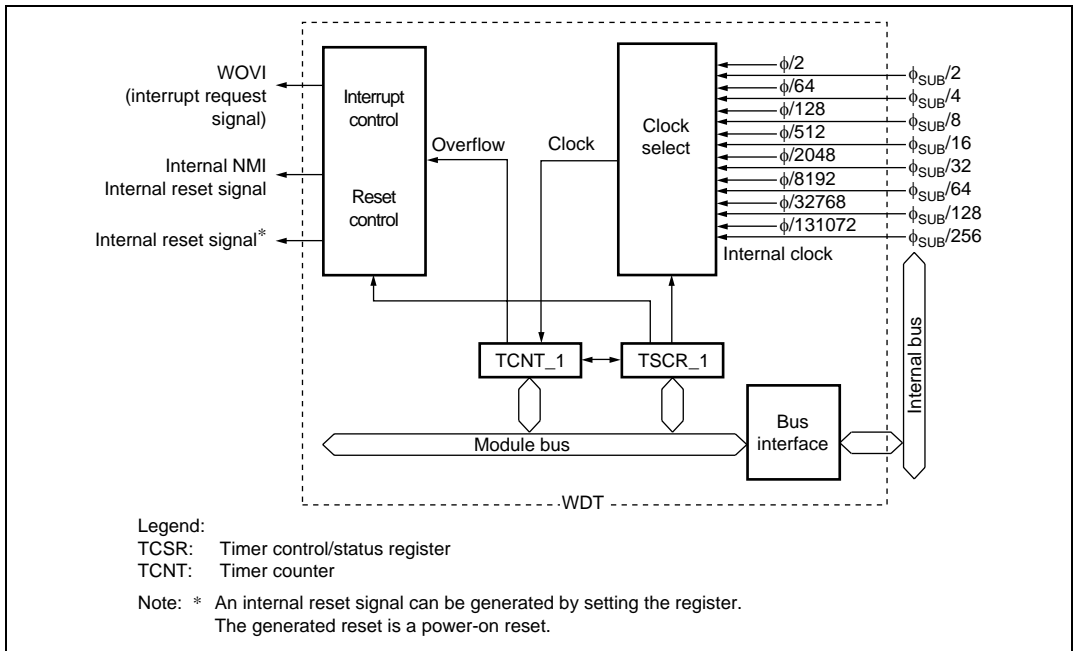
- If the counter overflows, it is possible to select whether this LSI is internally reset or the WDT generates an internal NMI interrupt.

In interval timer mode:

- If the counter overflows, the WDT generates an interval timer interrupt (WOVI).



**Figure 9.1 Block Diagram of WDT\_0**



**Figure 9.2 Block Diagram of WDT\_1**

## 9.2 Register Descriptions

The WDT has the following three registers. To prevent accidental overwriting, TCSR, TCNT, and RSTCSR have to be written to by a different method to normal registers. For details, see section 9.5.1, Notes on Register Access.

- Timer control/status register\_0 (TCSR\_0)
- Timer counter\_0 (TCNT\_0)
- Timer control/status register\_1 (TCSR\_1)
- Timer counter\_1 (TCNT\_1)
- Reset control/status register (RSTCSR)

### 9.2.1 Timer Counter 0 and 1 (TCNT\_0 and TCNT\_1)

TCNT is an 8-bit readable/writable up-counter. TCNT is initialized to H'00 by a reset, when the TME bit in TCSR is cleared to 0.

### 9.2.2 Timer Control/Status Register 0 and 1 (TCSR\_0 and TCSR\_1)

TCSR selects the clock source to be input to TCNT, and selecting the timer mode.

- TCSR\_0

Bit	Bit Name	Initial Value	R/W	Description
7	OVF	0	R/(W)*	<p>Overflow Flag</p> <p>Indicates that TCNT has overflowed. Only a write of 0 is permitted, to clear the flag.</p> <p>[Setting condition]</p> <p>When TCNT overflows (changes from H'FF to H'00)</p> <p>When internal reset request generation is selected in watchdog timer mode, OVF is cleared automatically by the internal reset.</p> <p>[Clearing condition]</p> <p>Cleared by reading TCSR when OVF = 1, then writing 0 to OVF</p>
6	WT/IT	0	R/W	<p>Timer Mode Select</p> <p>Selects whether the WDT is used as a watchdog timer or interval timer.</p> <p>0: Interval timer mode</p> <p>1: Watchdog timer mode</p>
5	TME	0	R/W	<p>Timer Enable</p> <p>When this bit is set to 1, TCNT starts counting. When this bit is cleared, TCNT stops counting and is initialized to H'00.</p>
4, 3	—	All 1	—	<p>Reserved</p> <p>These bits are always read as 1 and cannot be modified.</p>

---

Bit	Bit Name	Initial Value	R/W	Description
2	CKS2	0	R/W	Clock Select 0 to 2
1	CKS1	0	R/W	Selects the clock source to be input to TCNT. The overflow frequency for $\phi = 20$ MHz is enclosed in parentheses. 000: Clock $\phi/2$ (frequency: 25.6 $\mu$ s) 001: Clock $\phi/64$ (frequency: 819.2 $\mu$ s) 010: Clock $\phi/128$ (frequency: 1.6 ms) 011: Clock $\phi/512$ (frequency: 6.6 ms) 100: Clock $\phi/2048$ (frequency: 26.2 ms) 101: Clock $\phi/8192$ (frequency: 104.9 ms) 110: Clock $\phi/32768$ (frequency: 419.4 ms) 111: Clock $\phi/131072$ (frequency: 1.68 s)
0	CKS0	0	R/W	

---

Note: \* Only 0 can be written for flag clearing.

## • TCSR\_1

Bit	Bit Name	Initial Value	R/W	Description
7	OVF	0	R/(W)*	<p>Overflow Flag</p> <p>Indicates that TCNT has overflowed from H'FF to H'00. Only a write of 0 is permitted, to clear the flag.</p> <p>[Setting condition]</p> <p>When TCNT overflows (changes from H'FF to H'00)</p> <p>When internal reset request generation is selected in watchdog timer mode, OVF is cleared automatically by the internal reset.</p> <p>[Clearing condition]</p> <p>Cleared by reading TCSR when OVF = 1, then writing 0 to OVF</p>
6	WT/IT	0	R/W	<p>Timer Mode Select</p> <p>Selects whether the WDT is used as a watchdog timer or interval timer.</p> <p>0: Interval timer mode</p> <p>1: Watchdog timer mode</p>
5	TME	0	R/W	<p>Timer Enable</p> <p>When this bit is set to 1, TCNT starts counting. When this bit is cleared, TCNT stops counting and is initialized to H'00.</p>
4	PSS	0	R/W	<p>Prescaler Select</p> <p>Selects the clock source to be input to TCNT.</p> <p>0: Counts the divided clock of <math>\phi</math>—based prescaler (PSM)</p> <p>1: Counts the divided clock of <math>\phi_{SUB}</math>—based prescaler (PSS)</p>
3	RST/NMI	0	R/W	<p>Reset or NMI</p> <p>Selects whether an internal reset request or an NMI interrupt request when the TCNT overflows during the watchdog timer mode.</p> <p>0: NMI interrupt request</p> <p>1: Internal reset request</p>



Bit	Bit Name	Initial Value	R/W	Description
2	CKS2	0	R/W	Clock Select 2 to 0
1	CKS1	0	R/W	Selects the clock source to be input to TCNT. The overflow cycle for $\phi = 20$ MHz (5-MHz input to this LSI multiplied by four, and $\phi_{SUB} = 39.1$ kHz) is enclosed in parentheses. The overflow cycle is the period from which TCNT starts counting and until it overflows.
0	CKS0	0	R/W	
When PSS = 0:				
000: $\phi/2$ (cycle: 25.6 $\mu$ s)				
001: $\phi/64$ (cycle: 819.2 ms)				
010: $\phi/128$ (cycle: 1.6 ms)				
011: $\phi/512$ (cycle: 6.6 ms)				
100: $\phi/2048$ (cycle: 26.2 ms)				
101: $\phi/8192$ (cycle: 104.9 ms)				
110: $\phi/32768$ (cycle: 419.4 ms)				
111: $\phi/131072$ (cycle: 1.68s)				
When PSS = 1:				
000: $\phi_{SUB}/2$ (cycle: 13.1 ms)				
001: $\phi_{SUB}/4$ (cycle: 26.2 ms)				
010: $\phi_{SUB}/8$ (cycle: 52.4 ms)				
011: $\phi_{SUB}/16$ (cycle: 104.9 ms)				
100: $\phi_{SUB}/32$ (cycle: 209.7 ms)				
101: $\phi_{SUB}/64$ (cycle: 419.4 ms)				
110: $\phi_{SUB}/128$ (cycle: 838.9 ms)				
111: $\phi_{SUB}/256$ (cycle: 1.6777 s)				

Note: \* Only 0 can be written for flag clearing.

### 9.2.3 Reset Control/Status Register (RSTCSR)

RSTCSR controls the generation of the internal reset signal when TCNT overflows, and selects the type of internal reset signal. RSTCSR is initialized to H'1F by a reset signal from the RES pin, and not by the WDT internal reset signal caused by overflows.

Bit	Bit Name	Initial Value	R/W	Description
7	WOVF	0	R/(W)*	<p>Watchdog Overflow Flag</p> <p>This bit is set when TCNT overflows in watchdog timer mode. This bit cannot be set in interval timer mode, and only 0 can be written.</p> <p>[Setting condition]</p> <p>Set when TCNT overflows (changed from H'FF to H'00) in watchdog timer mode</p> <p>[Clearing condition]</p> <p>Cleared by reading RSTCSR when WOVF = 1, and then writing 0 to WOVF</p>
6	RSTE	0	R/W	<p>Reset Enable</p> <p>Specifies whether or not a reset signal is generated in the chip if TCNT overflows during watchdog timer operation.</p> <p>0: Reset signal is not generated even if TCNT overflows (Though this LSI is not reset, TCNT and TCSR in WDT are reset)</p> <p>1: Reset signal is generated if TCNT overflows</p>
5	RSTS	0	R/W	<p>Reset Select</p> <p>Selects the internal reset type to be generated if TCNT overflows during watchdog timer operation.</p> <p>0: Power-on reset</p> <p>1: Setting prohibited</p>
4 to 0	—	All 1	—	<p>Reserved</p> <p>These bits are always read as 1 and cannot be modified.</p>

Note: \* Only 0 can be written for flag clearing.

## 9.3 Operation

### 9.3.1 Watchdog Timer Mode

To use the WDT as a watchdog timer, set the  $\overline{WT/IT}$  bit in TCSR and the TME bit to 1.

When the WDT is used as a watchdog timer, and if TCNT overflows without being rewritten because of a system malfunction or other error, a WDTOVF signal is output.

TCNT does not overflow while the system is operating normally. Software must prevent TCNT overflows by rewriting the TCNT value (normally by writing H'00) before overflows occurs.

In watchdog timer mode, the WDT can internally reset this LSI with a WDTOVF signal.

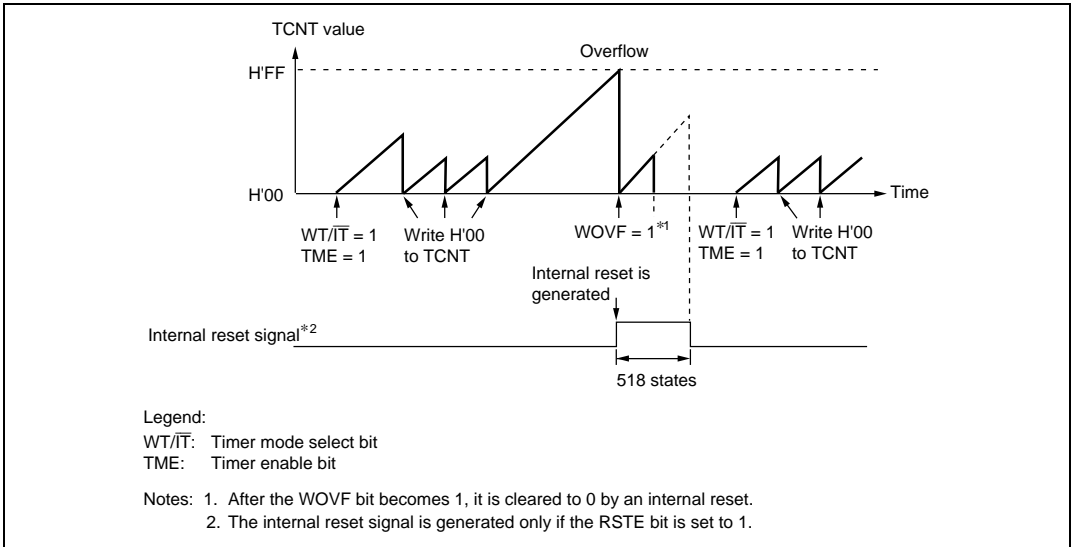
When the RSTE bit of the RSTCSR is set to 1, and if the TCNT overflows, an internal reset signal for this LSI is issued at the same time as a WDTOVF signal. In this case, select power-on reset by setting the RSTS bit of the RSTCSR to 0.

If a reset caused by a signal input to the  $\overline{RES}$  pin occurs at the same time as a reset caused by a WDT overflow, the  $\overline{RES}$  pin reset has priority and the WOVF bit in RSTCSR is cleared to 0.

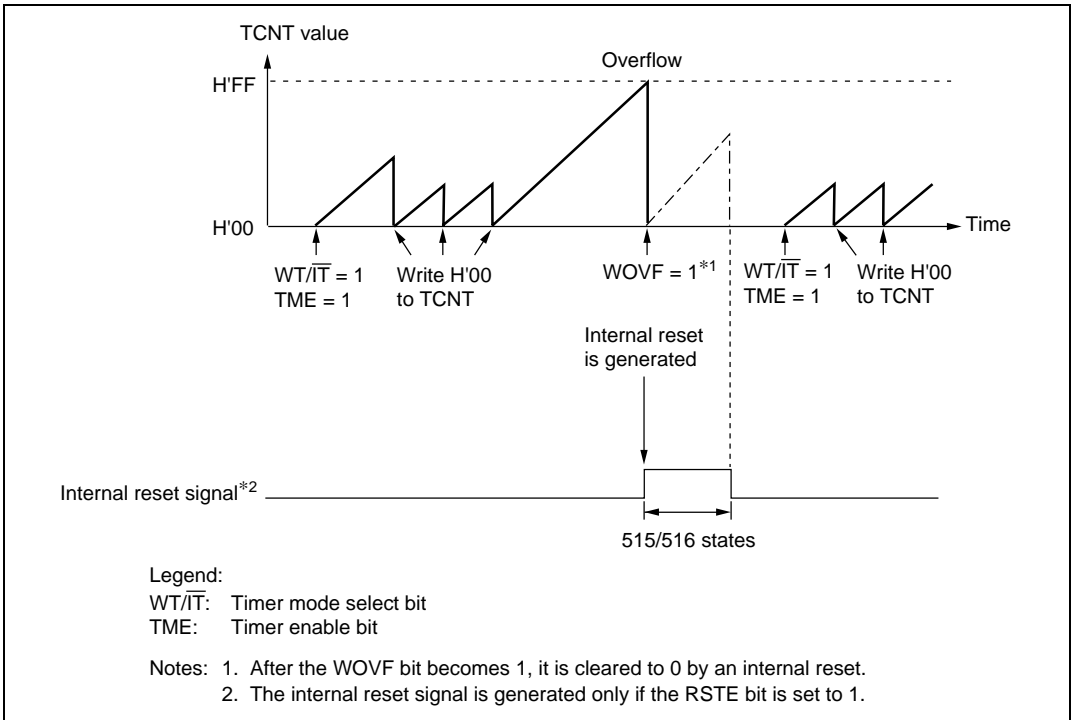
The WDTOVF signal is output for 132 states when the RSTE bit = 1 of RSTCSR, and for 130 states when the RSTE bit = 0.

When the TCNT overflows in watchdog timer mode, the WOVF bit of the RSTCSR is set to 1.

If the RSTE bit of the RSTCSR has been set to 1, an internal reset signal for the entire LSI is generated at TCNT overflow.



**Figure 9.3 (a) WDT\_0 Operation in Watchdog Timer Mode**

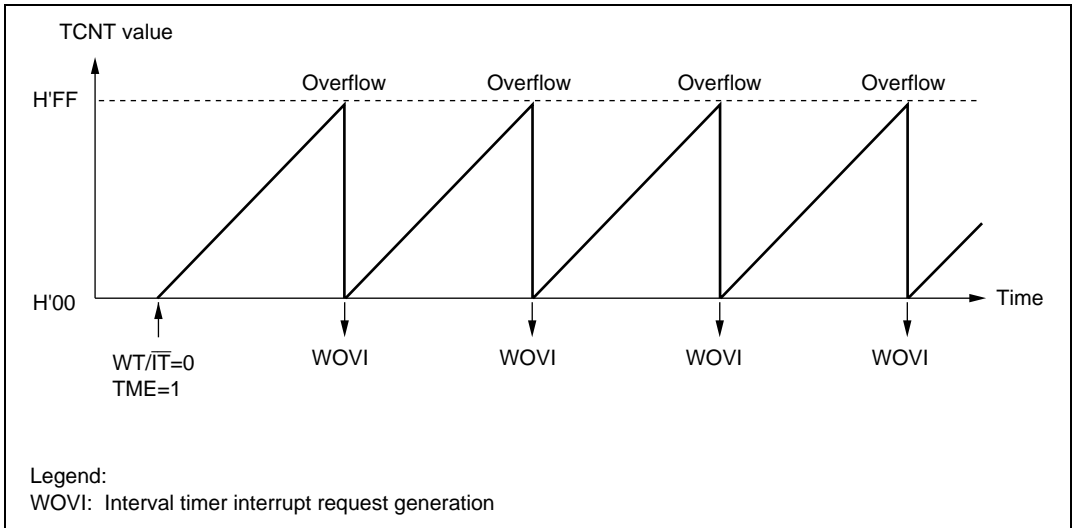


**Figure 9.3 (b) WDT\_1 Operation in Watchdog Timer Mode**

### 9.3.2 Interval Timer Mode

When the WDT is used as an interval timer, an interval timer interrupt (WOVI) is generated each time the TCNT overflows. Therefore, an interrupt can be generated at intervals.

When the TCNT overflows in interval timer mode, an interval timer interrupt (WOVI) is requested at the time the OVF bit of the TCSR is set to 1.



**Figure 9.4 Operation in Interval Timer Mode**

## 9.4 Interrupts

During interval timer mode operation, an overflow generates an interval timer interrupt (WOVI). The interval timer interrupt is requested whenever the OVF flag is set to 1 in TCSR. OVF must be cleared to 0 in the interrupt handling routine.

If an NMI interrupt request has been chosen in watchdog timer mode, an NMI interrupt request is generated when the TCNT overflows.

**Table 9.1 WDT Interrupt Source**

Name	Interrupt Source	Interrupt Flag
WOVI	TCNT overflow (interval timer mode)	OVF
NMI	TCNT overflow (watchdog timer mode)	OVF

## 9.5 Usage Notes

### 9.5.1 Notes on Register Access

The watchdog timer's TCNT, TCSR, and RSTCSR registers differ from other registers in being more difficult to write to. The procedures for writing to and reading these registers are given below.

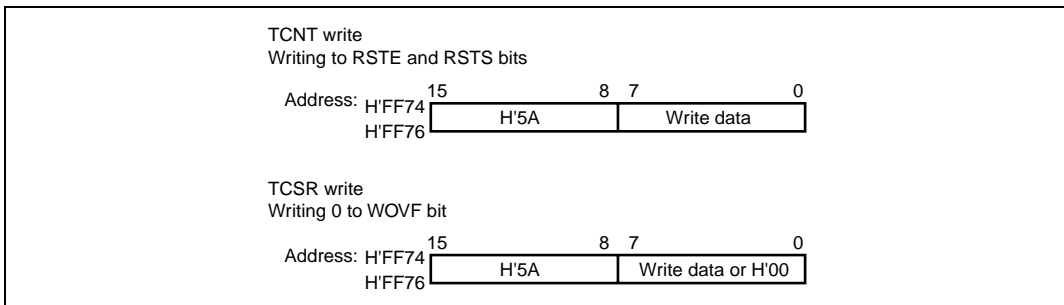
#### Writing to TCNT, TCSR, and RSTCSR

These registers must be written to by a word transfer instruction. They cannot be written to by a byte transfer instruction.

TCNT and TCSR both have the same write address. Therefore, the relative condition shown in figure 9.5 needs to be satisfied in order to write to TCNT or TCSR. The transfer instruction writes the lower byte data to TCNT or TCSR according to the satisfied condition.

To write to RSTCSR, execute a word transfer instruction for address H'FF76. A byte transfer instruction cannot write to RSTCSR.

The method of writing 0 to the WOVF bit differs from that of writing to the RSTE and RSTS bits. To write 0 to the WOVF bit, satisfy the condition shown in figure 9.5. If satisfied, the transfer instruction clears the WOVF bit to 0, but has no effect on the RSTE and RSTS bits. To write to the RSTE and RSTS bits, satisfy the condition shown in figure 9.5. If satisfied, the transfer instruction writes the values in bits 5 and 6 of the lower byte into the RSTE and RSTS bits, respectively, but has no effect on the WOVF bit.



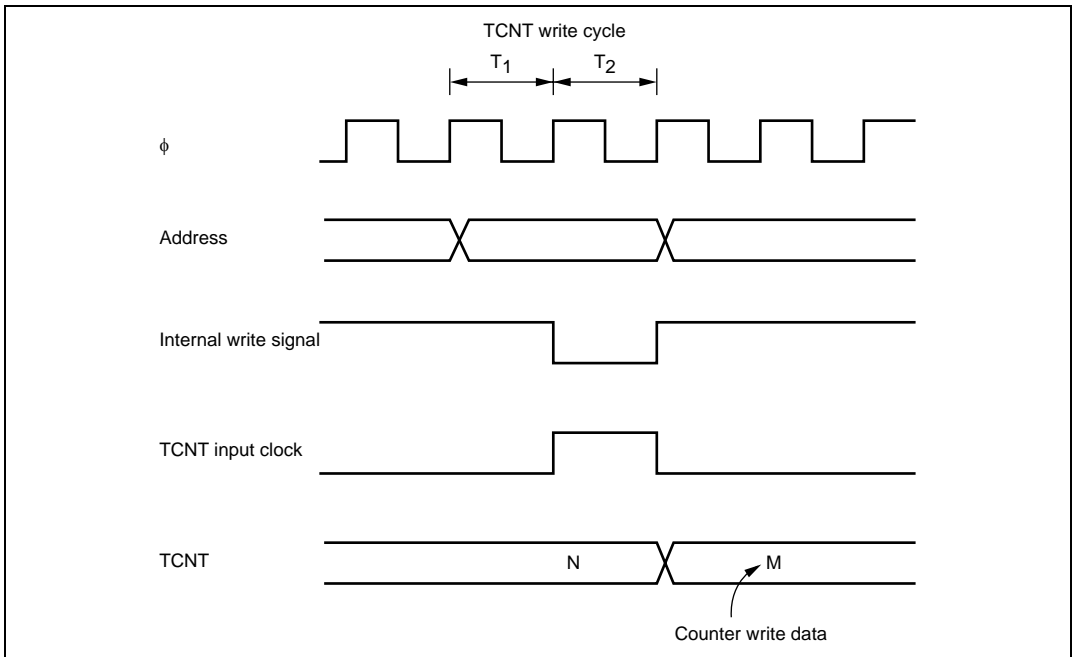
**Figure 9.5 Writing to TCNT, TCSR, and RSTCSR (example for WDT0)**

## Reading TCNT, TCSR, and RSTCSR (WDT0)

These registers are read in the same way as other registers. The read addresses are H'FF74 for TCSR, H'FF75 for TCNT, and H'FF77 for RSTCSR.

### 9.5.2 Contention between Timer Counter (TCNT) Write and Increment

If a timer counter clock pulse is generated during the T2 state of a TCNT write cycle, the write takes priority and the timer counter is not incremented. Figure 9.6 shows this operation.



**Figure 9.6 Contention between TCNT Write and Increment**

### 9.5.3 Changing Value of CKS2 to CKS0

If bits CKS0 to CKS2 in TCSR are written to while the WDT is operating, errors could occur in the incrementation. Software must be used to stop the watchdog timer (by clearing the TME bit to 0) before changing the value of bits CKS0 to CKS2.

#### 9.5.4 Switching between Watchdog Timer Mode and Interval Timer Mode

If the mode is switched from watchdog timer to interval timer while the WDT is operating, errors could occur in the incrementation. Software must be used to stop the watchdog timer (by clearing the TME bit to 0) before switching the mode.

#### 9.5.5 Internal Reset in Watchdog Timer Mode

This LSI is not reset internally if TCNT overflows while the RSTE bit is cleared to 0 during watchdog timer operation, however TCNT and TCSR of the WDT are reset.

TCNT, TCSR, or RSTCR cannot be written to for 132 states following an overflow. During this period, any attempt to read the WOVF flag is not acknowledged. Accordingly, wait 132 states after overflow to write 0 to the WOVF flag for clearing.

#### 9.5.6 OVF Flag Clearing in Interval Timer Mode

When setting of the OVF flag is in contention with reading of the OVF flag in interval timer mode, the OVF flag may not be cleared even when 0 is written to it after the OVF flag has been read as 1. When there is a possibility of contention between the setting and reading of the OVF flag when the OVF flag is polled while the interval timer interrupt is disabled, 0 should be only written to the OVF after reading the OVF at least twice in its '1' state to ensure clearing of the flag.



## Section 10 Serial Communication Interface (SCI)

This LSI has two independent serial communication interface (SCI) channels. The SCI can handle both asynchronous and clocked synchronous serial communication. Serial data communication can be carried out using standard asynchronous communication chips such as a Universal Asynchronous Receiver/Transmitter (UART) or an Asynchronous Communication Interface Adapter (ACIA). A function is also provided for serial communication between processors (multiprocessor communication function). The SCI also supports an IC card (Smart Card) interface conforming to ISO/IEC 7816-3 (Identification Card) as a serial communication interface extension function.

Figure 10.1 shows a block diagram of the SCI.

### 10.1 Features

- Choice of asynchronous or clocked synchronous serial communication mode
- Full-duplex communication capability  
The transmitter and receiver are mutually independent, enabling transmission and reception to be executed simultaneously.  
Double-buffering is used in both the transmitter and the receiver, enabling continuous transmission and continuous reception of serial data.
- On-chip baud rate generator allows any bit rate to be selected  
External clock can be selected as a transfer clock source (except for in Smart Card interface mode).
- Choice of LSB-first or MSB-first transfer (except in the case of asynchronous mode 7-bit data)
- Four interrupt sources  
Transmit-end, transmit-data-empty, receive-data-full, and receive error — that can issue requests.
- Module stop mode can be set

Asynchronous mode:

- Data length: 7 or 8 bits
- Stop bit length: 1 or 2 bits
- Parity: Even, odd, or none
- Receive error detection: Parity, overrun, and framing errors
- Break detection: Break can be detected by reading the RxD pin level directly in the case of a framing error

Clocked Synchronous mode:

- Data length: 8 bits
- Receive error detection: Overrun errors detected

Smart Card Interface:

- Automatic transmission of error signal (parity error) in receive mode
- Error signal detection and automatic data retransmission in transmit mode
- Direct convention and inverse convention both supported

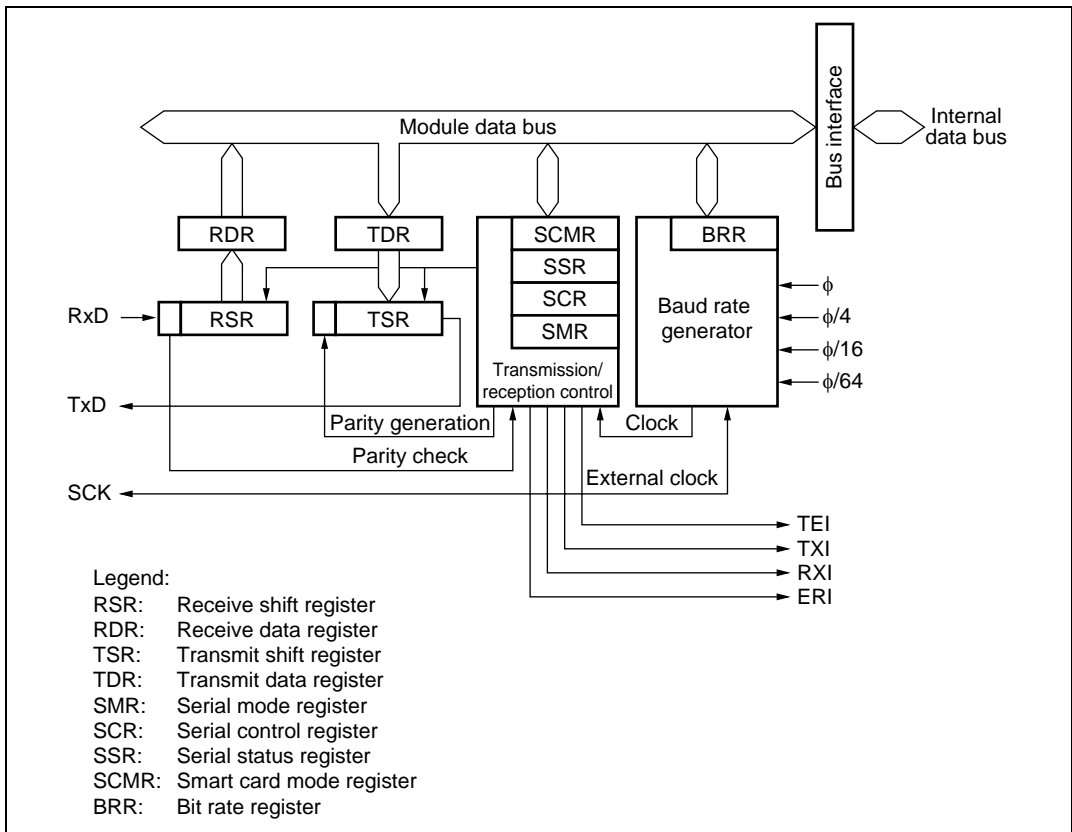


Figure 10.1 Block Diagram of SCI

## 10.2 Input/Output Pins

Table 10.1 shows the serial pins for each SCI channel.

**Table 10.1 Pin Configuration**

Channel	Pin Name*	I/O	Function
0	SCK0	I/O	SCI0 clock input/output
	RxD0	Input	SCI0 receive data input
	TxD0	Output	SCI0 transmit data output
1	SCK1	I/O	SCI1 clock input/output
	RxD1	Input	SCI1 receive data input
	TxD1	Output	SCI1 transmit data output

Note: \* Pin names SCK, RxD, and TxD are used in the text for all channels, omitting the channel designation.

## 10.3 Register Descriptions

The SCI has the following registers for each channel. The serial mode register (SMR), serial status register (SSR), and serial control register (SCR) are described separately for normal serial communication interface mode and Smart Card interface mode because their bit functions differ in part.

- Receive shift register (RSR)
- Receive data register (RDR)
- Transmit data register (TDR)
- Transmit shift register (TSR)
- Serial mode register (SMR)
- Serial control register (SCR)
- Serial status register (SSR)
- Smart card mode register (SCMR)
- Bit rate register (BRR)

### 10.3.1 Receive Shift Register (RSR)

RSR is a shift register that is used to receive serial data input to the RxD pin and convert it into parallel data. When one byte of data has been received, it is transferred to RDR automatically. RSR cannot be directly accessed by the CPU.

### 10.3.2 Receive Data Register (RDR)

RDR is an 8-bit register that stores received data. When the SCI has received one byte of serial data, it transfers the received serial data from RSR to RDR, where it is stored. After this, RSR is receive-enabled. As RSR and RDR function as a double buffer in this way, continuous receive operations are possible. After confirming that the RDRF bit in SSR is set to 1, read RDR only once. RDR cannot be written to by the CPU.

### 10.3.3 Transmit Data Register (TDR)

TDR is an 8-bit register that stores data for transmission. When the SCI detects that TSR is empty, it transfers the transmit data written in TDR to TSR and starts transmission. The double-buffered structure of TDR and TSR enables continuous serial transmission. If the next transmit data has already been written to TDR during serial transmission, the SCI transfers the written data to TSR to continue transmission. Although TDR can be read or written to by the CPU at all times, to achieve reliable serial transmission, write transmit data to TDR only once after confirming that the TDRE bit in SSR is set to 1.

### 10.3.4 Transmit Shift Register (TSR)

TSR is a shift register that transmits serial data. To perform serial data transmission, the SCI first transfers transmit data from TDR to TSR, and then sends the data to the TxD pin. TSR cannot be directly accessed by the CPU.

### 10.3.5 Serial Mode Register (SMR)

SMR is used to set the SCI's serial transfer format and select the baud rate generator clock source.

Some bit functions of SMR differ between normal serial communication interface mode and Smart Card interface mode.

- Normal Serial Communication Interface Mode (When SMIF in SCMR is 0)

Bit	Bit Name	Initial Value	R/W	Description
7	C/ $\bar{A}$	0	R/W	Communication Mode 0: Asynchronous mode 1: Clocked synchronous mode
6	CHR	0	R/W	Character Length (enabled only in asynchronous mode) 0: Selects 8 bits as the data length. 1: Selects 7 bits as the data length. The MSB (bit 7) of TDR is not transmitted in transmission. In clocked synchronous mode, a fixed data length of 8 bits is used.
5	PE	0	R/W	Parity Enable (enabled only in asynchronous mode) When this bit is set to 1, the parity bit is added to transmit data before transmission, and the parity bit is checked in reception. For a multiprocessor format, parity bit addition and checking are not performed regardless of the PE bit setting.
4	O/ $\bar{E}$	0	R/W	Parity Mode (enabled only when the PE bit is 1 in asynchronous mode) 0: Selects even parity. 1: Selects odd parity.
3	STOP	0	R/W	Stop Bit Length (enabled only in asynchronous mode) Selects the stop bit length in transmission. 0: 1 stop bit 1: 2 stop bits In reception, only the first stop bit is checked. If the second stop bit is 0, it is treated as the start bit of the next transmit character.

Bit	Bit Name	Initial Value	R/W	Description
2	MP	0	R/W	<p>Multiprocessor Mode (enabled only in asynchronous mode)</p> <p>When this bit is set to 1, the multiprocessor communication function is enabled. The PE bit and O/<math>\bar{E}</math> bit settings are invalid in multiprocessor mode.</p>
1	CKS1	0	R/W	Clock Select 0 and 1
0	CKS0	0	R/W	<p>These bits select the clock source for the baud rate generator.</p> <p>00: <math>\phi</math> clock (n = 0)</p> <p>01: <math>\phi/4</math> clock (n = 1)</p> <p>10: <math>\phi/16</math> clock (n = 2)</p> <p>11: <math>\phi/64</math> clock (n = 3)</p> <p>For the relationship between the bit rate register setting and the baud rate, see section 10.3.9, Bit Rate Register (BRR). n is the decimal representation of the value of n in BRR (see section 10.3.9, Bit Rate Register (BRR)).</p>

- Smart Card Interface Mode (When SMIF in SCMR is 1)

Bit	Bit Name	Initial Value	R/W	Description
7	GM	0	R/W	<p>GSM Mode</p> <p>When this bit is set to 1, the SCI operates in GSM mode. In GSM mode, the timing of the TEND setting is advanced by 11.0 etu (Elementary Time Unit: the time for transfer of one bit), and clock output control mode addition is performed. For details, see section 10.7.8, Clock Output Control.</p>
6	BLK	0	R/W	When this bit is set to 1, the SCI operates in block transfer mode. For details on block transfer mode, see section 10.7.3, Block Transfer Mode.
5	PE	0	R/W	<p>Parity Enable (enabled only in asynchronous mode)</p> <p>When this bit is set to 1, the parity bit is added to transmit data in transmission, and the parity bit is checked in reception. In Smart Card interface mode, this bit must be set to 1.</p>

Bit	Bit Name	Initial Value	R/W	Description
4	O/ $\bar{E}$	0	R/W	<p>Parity Mode (enabled only when the PE bit is 1 in asynchronous mode)</p> <p>0: Selects even parity. 1: Selects odd parity.</p> <p>For details on setting this bit in Smart Card interface mode, see section 10.7.2, Data Format (Except for Block Transfer Mode).</p>
3	BCP1	0	R/W	Basic Clock Pulse 1 and 0
2	BCP0	0	R/W	<p>These bits specify the number of basic clock periods in a 1-bit transfer interval on the Smart Card interface.</p> <p>00: 32 clock (S = 32) 01: 64 clock (S = 64) 10: 372 clock (S = 372) 11: 256 clock (S = 256)</p> <p>For details, see section 10.7.4, Receive Data Sampling Timing and Reception Margin in Smart Card Interface Mode. S stands for the value of S in BRR (see section 10.3.9, Bit Rate Register (BRR)).</p>
1	CKS1	0	R/W	Clock Select 0 and 1
0	CKS0	0	R/W	<p>These bits select the clock source for the baud rate generator.</p> <p>00: <math>\phi</math> clock (n = 0) 01: <math>\phi/4</math> clock (n = 1) 10: <math>\phi/16</math> clock (n = 2) 11: <math>\phi/64</math> clock (n = 3)</p> <p>For the relationship between the bit rate register setting and the baud rate, see section 10.3.9, Bit Rate Register (BRR). n is the decimal representation of the value of n in BRR (see section 10.3.9, Bit Rate Register (BRR)).</p>

### 10.3.6 Serial Control Register (SCR)

SCR is a register that enables or disables SCI transfer operations and interrupt requests, and is also used to selection of the transfer clock source. For details on interrupt requests, see section 10.8, Interrupts. Some bit functions of SCR differ between normal serial communication interface mode and Smart Card interface mode.

- Normal Serial Communication Interface Mode (When SMIF in SCMR is 0)

Bit	Bit Name	Initial Value	R/W	Description
7	TIE	0	R/W	Transmit Interrupt Enable When this bit is set to 1, the TXI interrupt request is enabled.
6	RIE	0	R/W	Receive Interrupt Enable When this bit is set to 1, RXI and ERI interrupt requests are enabled.
5	TE	0	R/W	Transmit Enable When this bit s set to 1, transmission is enabled.
4	RE	0	R/W	Receive Enable When this bit is set to 1, reception is enabled.
3	MPIE	0	R/W	Multiprocessor Interrupt Enable (enabled only when the MP bit in SMR is 1 in asynchronous mode) When this bit is set to 1, receive data in which the multiprocessor bit is 0 is skipped, and setting of the RDRF, FER, and ORER status flags in SSR is prohibited. On receiving data in which the multiprocessor bit is 1, this bit is automatically cleared and normal reception is resumed. For details, see section 10.5, Multiprocessor Communication Function.
2	TEIE	0	R/W	Transmit End Interrupt Enable When this bit is set to 1, TEI interrupt request is enabled.



Bit	Bit Name	Initial Value	R/W	Description
1	CKE1	0	R/W	Clock Enable 0 and 1
0	CKE0	0	R/W	Selects the clock source and SCK pin function.  Asynchronous mode 00: Internal clock SCK pin functions as I/O port 01: Internal clock Outputs a clock of the same frequency as the bit rate from the SCK pin. 1X: External clock Inputs a clock with a frequency 16 times the bit rate from the SCK pin.  Clocked synchronous mode 0X: Internal clock (SCK pin functions as clock output) 1X: External clock (SCK pin functions as clock input)

Legend:

X: Don't care

- Smart Card Interface Mode (When SMIF in SCMR is 1)

Bit	Bit Name	Initial Value	R/W	Description
7	TIE	0	R/W	Transmit Interrupt Enable When this bit is set to 1, TXI interrupt request is enabled.
6	RIE	0	R/W	Receive Interrupt Enable When this bit is set to 1, RXI and ERI interrupt requests are enabled.
5	TE	0	R/W	Transmit Enable When this bit is set to 1, transmission is enabled.
4	RE	0	R/W	Receive Enable When this bit is set to 1, reception is enabled.
3	MPIE	0	R/W	Multiprocessor Interrupt Enable (enabled only when the MP bit in SMR is 1 in asynchronous mode) Write 0 to this bit in Smart Card interface mode.

Bit	Bit Name	Initial Value	R/W	Description
2	TEIE	0	R/W	Transmit End Interrupt Enable Write 0 to this bit in Smart Card interface mode.
1	CKE1	0	R/W	Clock Enable 0 and 1
0	CKE0	0		Enables or disables clock output from the SCK pin. The clock output can be dynamically switched in GSM mode. For details, see section 10.7.8, Clock Output Control.  When the GM bit in SMR is 0: 00: Output disabled (SCK pin can be used as an I/O port pin) 01: Clock output 1X: Reserved  When the GM bit in SMR is 1: 00: Output fixed low 01: Clock output 10: Output fixed high 11: Clock output

## Legend:

X: Don't care

### 10.3.7 Serial Status Register (SSR)

SSR is a register containing status flags of the SCI and multiprocessor bits for transfer. It cannot be written to flags TDRE, RDRF, ORER, PER, and FER; they can only be cleared. Some bit functions of SSR differ between normal serial communication interface mode and Smart Card interface mode.

- Normal Serial Communication Interface Mode (When SMIF in SCMR is 0)

Bit	Bit Name	Initial Value	R/W	Description
7	TDRE	1	R/(W)*	Transmit Data Register Empty Displays whether TDR contains transmit data. [Setting conditions] <ul style="list-style-type: none"> <li>• When the TE bit in SCR is 0</li> <li>• When data is transferred from TDR to TSR</li> </ul> [Clearing condition] <ul style="list-style-type: none"> <li>• When 0 is written to TDRE after reading TDRE = 1</li> </ul>
6	RDRF	0	R/(W)*	Receive Data Register Full Indicates that the received data is stored in RDR. [Setting condition] <ul style="list-style-type: none"> <li>• When serial reception ends normally and receive data is transferred from RSR to RDR</li> </ul> [Clearing condition] <ul style="list-style-type: none"> <li>• When 0 is written to RDRF after reading RDRF = 1</li> </ul> The RDRF flag is not affected and retains its value when the RE bit in SCR is cleared to 0.
5	ORER	0	R/(W)*	Overrun Error [Setting condition] <ul style="list-style-type: none"> <li>• When the next serial reception is completed while RDRF = 1</li> </ul> [Clearing condition] <ul style="list-style-type: none"> <li>• When 0 is written to ORER after reading ORER = 1</li> </ul>

Bit	Bit Name	Initial Value	R/W	Description
4	FER	0	R/(W)*	Framing Error [Setting condition] <ul style="list-style-type: none"> <li>When the stop bit is 0</li> </ul> [Clearing condition] <ul style="list-style-type: none"> <li>When 0 is written to FER after reading FER = 1 In 2-stop-bit mode, only the first stop bit is checked.</li> </ul>
3	PER	0	R/(W)*	Parity Error [Setting condition] <ul style="list-style-type: none"> <li>When a parity error is detected during reception</li> </ul> [Clearing condition] <ul style="list-style-type: none"> <li>When 0 is written to PER after reading PER = 1</li> </ul>
2	TEND	1	R	Transmit End [Setting conditions] <ul style="list-style-type: none"> <li>When the TE bit in SCR is 0</li> <li>When TDRE = 1 at transmission of the last bit of a 1-byte serial transmit character</li> </ul> [Clearing condition] <ul style="list-style-type: none"> <li>When 0 is written to TDRE after reading TDRE = 1</li> </ul>
1	MPB	0	R	Multiprocessor Bit MPB stores the multiprocessor bit in the receive data. When the RE bit in SCR is cleared to 0 its state is retained.
0	MPBT	0	R/W	Multiprocessor Bit Transfer MPBT stores the multiprocessor bit to be added to the transmit data.

Note: \* Only 0 for clearing the flag can be written.

- Smart Card Interface Mode (When SMIF in SCMR is 1)

Bit	Bit Name	Initial Value	R/W	Description
7	TDRE	1	R/(W)*	<p>Transmit Data Register Empty</p> <p>Displays whether TDR contains transmit data.</p> <p>[Setting conditions]</p> <ul style="list-style-type: none"> <li>• When the TE bit in SCR is 0</li> <li>• When data is transferred from TDR to TSR and data can be written to TDR</li> </ul> <p>[Clearing condition]</p> <ul style="list-style-type: none"> <li>• When 0 is written to TDRE after reading TDRE = 1</li> </ul>
6	RDRF	0	R/(W)*	<p>Receive Data Register Full</p> <p>Indicates that the received data is stored in RDR.</p> <p>[Setting condition]</p> <ul style="list-style-type: none"> <li>• When serial reception ends normally and receive data is transferred from RSR to RDR</li> </ul> <p>[Clearing condition]</p> <ul style="list-style-type: none"> <li>• When 0 is written to RDRF after reading RDRF = 1</li> </ul> <p>The RDRF flag is not affected and retains its value when the RE bit in SCR is cleared to 0.</p>
5	ORER	0	R/(W)*	<p>Overflow Error</p> <p>[Setting condition]</p> <ul style="list-style-type: none"> <li>• When the next serial reception is completed while RDRF = 1</li> </ul> <p>[Clearing condition]</p> <ul style="list-style-type: none"> <li>• When 0 is written to ORER after reading ORER = 1</li> </ul>
4	ERS	0	R/(W)*	<p>Error Signal Status</p> <p>[Setting condition]</p> <ul style="list-style-type: none"> <li>• When the low level of the error signal is sampled</li> </ul> <p>[Clearing condition]</p> <ul style="list-style-type: none"> <li>• When 0 is written to ERS after reading ERS = 1</li> </ul>

Bit	Bit Name	Initial Value	R/W	Description
3	PER	0	R/(W)*	<p>Parity Error</p> <p>[Setting condition]</p> <ul style="list-style-type: none"> <li>When a parity error is detected during reception</li> </ul> <p>[Clearing condition]</p> <ul style="list-style-type: none"> <li>When 0 is written to PER after reading PER = 1</li> </ul>
2	TEND	1	R	<p>Transmit End</p> <p>This bit is set to 1 when no error signal has been sent back from the receiving end and the next transmit data is ready to be transferred to TDR.</p> <p>[Setting conditions]</p> <ul style="list-style-type: none"> <li>When the TE bit in SCR is 0 and the ERS bit is also 0</li> <li>When the ESR bit is 0 and the TDRE bit is 1 after the specified interval following transmission of 1-byte data.</li> </ul> <p>The timing of bit setting differs according to the register setting as follows:</p> <p>When GM = 0 and BLK = 0, 2.5 etu after transmission starts</p> <p>When GM = 0 and BLK = 1, 1.5 etu after transmission starts</p> <p>When GM = 1 and BLK = 0, 1.0 etu after transmission starts</p> <p>When GM = 1 and BLK = 1, 1.0 etu after transmission starts</p> <p>[Clearing condition]</p> <ul style="list-style-type: none"> <li>When 0 is written to TDRE after reading TDRE = 1</li> </ul>
1	MPB	0	R	<p>Multiprocessor Bit</p> <p>This bit is not used in Smart Card interface mode.</p>
0	MPBT	0	R/W	<p>Multiprocessor Bit Transfer</p> <p>Write 0 to this bit in Smart Card interface mode.</p>

Note: \* Only 0 for clearing the flag can be written.

### 10.3.8 Smart Card Mode Register (SCMR)

SCMR is a register that selects Smart Card interface mode and its format.

Bit	Bit Name	Initial Value	R/W	Description
7 to 4	—	All 1	—	Reserved These bits are always read as 1.
3	SDIR	0	R/W	Smart Card Data Transfer Direction Selects the serial/parallel conversion format. 0: LSB-first in transfer 1: MSB-first in transfer The bit setting is valid only when the transfer data format is 8 bits. For 7-bit data, LSB-first is fixed.
2	SINV	0	R/W	Smart Card Data Invert Specifies inversion of the data logic level. The SINV bit does not affect the logic level of the parity bit. To invert the parity bit, invert the O/E bit in SMR. 0: TDR contents are transmitted as they are. Receive data is stored as it is in RDR 1: TDR contents are inverted before being transmitted. Receive data is stored in inverted form in RDR
1	—	1	—	Reserved This bit is always read as 1.
0	SMIF	0	R/W	Smart Card Interface Mode Select This bit is set to 1 to make the SCI operate in Smart Card interface mode. 0: Normal asynchronous mode or clocked synchronous mode 1: Smart card interface mode

### 10.3.9 Bit Rate Register (BRR)

BRR is an 8-bit register that adjusts the bit rate. As the SCI performs baud rate generator control independently for each channel, different bit rates can be set for each channel. Table 10.2 shows the relationships between the N setting in BRR and bit rate B for normal asynchronous mode, clocked synchronous mode, and Smart Card interface mode. The initial value of BRR is H'FF, and it can be read or written to by the CPU at all times.

**Table 10.2 The Relationships between the N Setting in BRR and Bit Rate B**

Mode	Bit Rate	Error
Asynchronous Mode	$B = \frac{\phi \times 10^6}{64 \times 2^{2n-1} \times (N + 1)}$	$\text{Error (\%)} = \left\{ \frac{\phi \times 10^6}{B \times 64 \times 2^{2n-1} \times (N + 1)} - 1 \right\} \times 100$
Clocked Synchronous Mode	$B = \frac{\phi \times 10^6}{8 \times 2^{2n-1} \times (N + 1)}$	—
Smart Card Interface Mode	$B = \frac{\phi \times 10^6}{S \times 2^{2n+1} \times (N + 1)}$	$\text{Error (\%)} = \left\{ \frac{\phi \times 10^6}{B \times S \times 2^{2n+1} \times (N + 1)} - 1 \right\} \times 100$

Legend:

B: Bit rate (bit/s)

N: BRR setting for baud rate generator ( $0 \leq N \leq 255$ )

$\phi$ : Operating frequency (MHz)

n and S: Determined by the SMR settings shown in the following tables.

SMR Setting			SMR Setting		
CKS1	CKS0	n	BCP1	BCP0	S
0	0	0	0	0	32
0	1	1	0	1	64
1	0	2	1	0	372
1	1	3	1	1	256

Table 10.3 shows sample N settings in BRR in normal asynchronous mode. Table 10.4 shows the maximum bit rate for each frequency in normal asynchronous mode. Table 10.6 shows sample N settings in BRR in clocked synchronous mode. Table 10.8 shows sample N settings in BRR in Smart Card interface mode. In Smart Card interface mode, S (the number of basic clock periods in a 1-bit transfer interval) can be selected. For details, see section 10.7.4, Receive Data Sampling Timing and Reception Margin in Smart Card Interface Mode. Tables 10.5 and 10.7 show the maximum bit rates with external clock input.



Table 10.3 BRR Settings for Various Bit Rates (Asynchronous Mode) (1)

Bit Rate (bit/s)	Operating Frequency $\phi$ (MHz)											
	4			4.9152			5			6		
	n	N	Error (%)	n	N	Error (%)	n	N	Error (%)	n	N	Error (%)
110	2	70	0.03	2	86	0.31	2	88	-0.25	2	106	-0.44
150	1	207	0.16	1	255	0.00	2	64	0.16	2	77	0.16
300	1	103	0.16	1	127	0.00	1	129	0.16	1	155	0.16
600	0	207	0.16	0	255	0.00	1	64	0.16	1	77	0.16
1200	0	103	0.16	0	127	0.00	0	129	0.16	0	155	0.16
2400	0	51	0.16	0	63	0.00	0	64	0.16	0	77	0.16
4800	0	25	0.16	0	31	0.00	0	32	-1.36	0	38	0.16
9600	0	12	0.16	0	15	0.00	0	15	1.73	0	19	-2.34
19200	—	—	—	0	7	0.00	0	7	1.73	0	9	-2.34
31250	0	3	0.00	0	4	-1.70	0	4	0.00	0	5	0.00
38400	—	—	—	0	3	0.00	0	3	1.73	0	4	-2.34

Bit Rate (bit/s)	Operating Frequency $\phi$ (MHz)											
	6.144			7.3728			8			9.8304		
	n	N	Error (%)	n	N	Error (%)	n	N	Error (%)	n	N	Error (%)
110	2	108	0.08	2	130	-0.07	2	141	0.03	2	174	-0.26
150	2	79	0.00	2	95	0.00	2	103	0.16	2	127	0.00
300	1	159	0.00	1	191	0.00	1	207	0.16	1	255	0.00
600	1	79	0.00	1	95	0.00	1	103	0.16	1	127	0.00
1200	0	159	0.00	0	191	0.00	0	207	0.16	0	255	0.00
2400	0	79	0.00	0	95	0.00	0	103	0.16	0	127	0.00
4800	0	39	0.00	0	47	0.00	0	51	0.16	0	63	0.00
9600	0	19	0.00	0	23	0.00	0	25	0.16	0	31	0.00
19200	0	9	0.00	0	11	0.00	0	12	0.16	0	15	0.00
31250	0	5	2.40	—	—	—	0	7	0.00	0	9	-1.70
38400	0	4	0.00	0	5	0.00	—	—	—	0	7	0.00

Table 10.3 BRR Settings for Various Bit Rates (Asynchronous Mode) (2)

Bit Rate (bit/s)	Operating Frequency $\phi$ (MHz)											
	10			12			12.288			14		
	n	N	Error (%)	n	N	Error (%)	n	N	Error (%)	n	N	Error (%)
110	2	177	-0.25	2	212	0.03	2	217	0.08	2	248	-0.17
150	2	129	0.16	2	155	0.16	2	159	0.00	2	181	0.13
300	2	64	0.16	2	77	0.16	2	79	0.00	2	90	0.13
600	1	129	0.16	1	155	0.16	1	159	0.00	1	181	0.13
1200	1	64	0.16	1	77	0.16	1	79	0.00	1	90	0.13
2400	0	129	0.16	0	155	0.16	0	159	0.00	0	181	0.13
4800	0	64	0.16	0	77	0.16	0	79	0.00	0	90	0.13
9600	0	32	-1.36	0	38	0.16	0	39	0.00	0	45	-0.93
19200	0	15	1.73	0	19	-2.34	0	19	0.00	0	22	-0.93
31250	0	9	0.00	0	11	0.00	0	11	2.40	0	13	0.00
38400	0	7	1.73	0	9	-2.34	0	9	0.00	—	—	—

Bit Rate (bit/s)	Operating Frequency $\phi$ (MHz)											
	14.7456			16			17.2032			18		
	n	N	Error (%)	n	N	Error (%)	n	N	Error (%)	n	N	Error (%)
110	3	64	0.70	3	70	0.03	3	75	0.48	3	79	-0.12
150	2	191	0.00	2	207	0.13	2	223	0.00	2	233	0.16
300	2	95	0.00	2	103	0.13	2	111	0.00	2	116	0.16
600	1	191	0.00	1	207	0.13	1	223	0.00	1	233	0.16
1200	1	95	0.00	1	103	0.13	1	111	0.00	1	116	0.16
2400	0	191	0.00	0	207	0.13	0	223	0.00	0	233	0.16
4800	0	95	0.00	0	103	0.13	0	111	0.00	0	116	0.16
9600	0	47	0.00	0	51	0.13	0	55	0.00	0	58	-0.69
19200	0	23	0.00	0	25	0.13	0	27	0.00	0	28	1.02
31250	0	14	-1.70	0	15	0.00	0	13	1.20	0	17	0.00
38400	0	11	0.00	0	12	0.13	0	13	0.00	0	14	-2.34

**Table 10.3 BRR Settings for Various Bit Rates (Asynchronous Mode) (3)**

Bit Rate (bit/s)	Operating Frequency $\phi$ (MHz)					
	19.6608			20		
	n	N	Error (%)	n	N	Error (%)
110	3	86	0.31	3	88	-0.25
150	2	255	0.00	3	64	0.16
300	2	127	0.00	2	129	0.16
600	1	255	0.00	2	64	0.16
1200	1	127	0.00	1	129	0.16
2400	0	255	0.00	1	64	0.16
4800	0	127	0.00	0	129	0.16
9600	0	63	0.00	0	64	0.16
19200	0	31	0.00	0	32	-1.36
31250	0	19	-1.70	0	19	0.00
38400	0	15	0.00	0	15	1.73

**Table 10.4 Maximum Bit Rate for Each Frequency (Asynchronous Mode)**

$\phi$ (MHz)	Maximum Bit Rate (bit/s)	n	N	$\phi$ (MHz)	Maximum Bit Rate (bit/s)	n	N
4	125000	0	0	12	375000	0	0
4.9152	153600	0	0	12.288	384000	0	0
5	156250	0	0	14	437500	0	0
6	187500	0	0	14.7456	460800	0	0
6.144	192000	0	0	16	500000	0	0
7.3728	230400	0	0	17.2032	537600	0	0
8	250000	0	0	18	562500	0	0
9.8304	307200	0	0	19.6608	614400	0	0
10	312500	0	0	20	625000	0	0

**Table 10.5 Maximum Bit Rate with External Clock Input (Asynchronous Mode)**

$\phi$ (MHz)	External Input Clock (MHz)	Maximum Bit Rate (bit/s)	$\phi$ (MHz)	External Input Clock (MHz)	Maximum Bit Rate (bit/s)
4	1.0000	62500	12	3.0000	187500
4.9152	1.2288	76800	12.288	3.0720	192000
5	1.2500	78125	14	3.5000	218750
6	1.5000	93750	14.7456	3.6864	230400
6.144	1.5360	96000	16	4.0000	250000
7.3728	1.8432	115200	17.2032	4.3008	268800
8	2.0000	125000	18	4.5000	281250
9.8304	2.4576	153600	19.6608	4.9152	307200
10	2.5000	156250	20	5.0000	312500

**Table 10.6 BRR Settings for Various Bit Rates (Clocked Synchronous Mode)**

Bit Rate (bit/s)	Operating Frequency $\phi$ (MHz)									
	4		8		10		16		20	
	n	N	n	N	n	N	n	N	n	N
110	—	—								
250	2	249	3	124	—	—	3	249		
500	2	124	2	249	—	—	3	124	—	—
1k	1	249	2	124	—	—	2	249	—	—
2.5k	1	99	1	199	1	249	2	99	2	124
5k	0	199	1	99	1	124	1	199	1	249
10k	0	99	0	199	0	249	1	99	1	124
25k	0	39	0	79	0	99	0	159	0	199
50k	0	19	0	39	0	49	0	79	0	99
100k	0	9	0	19	0	24	0	39	0	49
250k	0	3	0	7	0	9	0	15	0	19
500k	0	1	0	3	0	4	0	7	0	9
1M	0	0*	0	1			0	3	0	4
2.5M					0	0*			0	1
5M									0	0*

Legend:

Blank: Cannot be set.

—: Can be set, but there will be a degree of error.

\*: Continuous transfer is not possible.

Note: Make the settings so that the error does not exceed 1%.

**Table 10.7 Maximum Bit Rate with External Clock Input (Clocked Synchronous Mode)**

$\phi$ (MHz)	External Input Clock (MHz)	Maximum Bit Rate (bit/s)	$\phi$ (MHz)	External Input Clock (MHz)	Maximum Bit Rate (bit/s)
4	0.6667	666666.7	14	2.3333	2333333.3
6	1.0000	1.000000.0	16	2.6667	2666666.7
8	1.3333	1333333.3	18	3.0000	3000000.0
10	1.6667	1666666.7	20	3.3333	3333333.3
12	2.0000	2000000.0			

**Table 10.8 Examples of Bit Rate for Various BRR Settings (Smart Card Interface Mode)**  
(When  $n = 0$  and  $S = 372$ )

Bit Rate (bit/s)	Operating Frequency $\phi$ (MHz)											
	7.1424			10.00			10.7136			13.00		
	n	N	Error (%)	n	N	Error (%)	n	N	Error (%)	n	N	Error (%)
9600	0	0	0.00	0	1	30	0	1	25	0	1	8.99

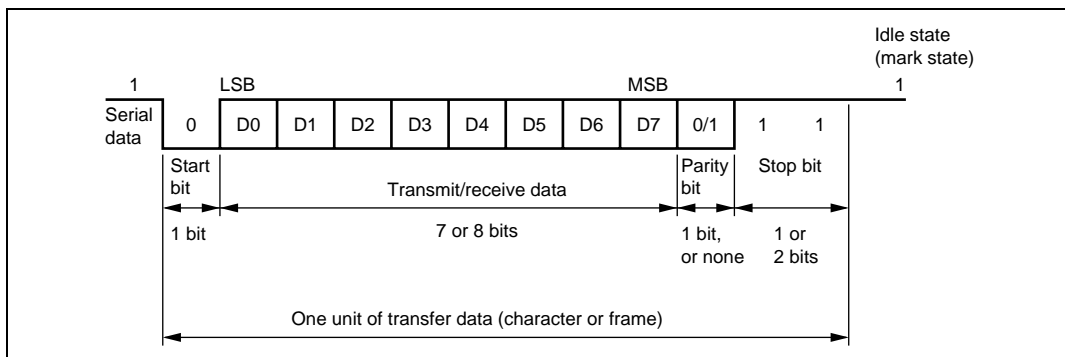
Bit Rate (bit/s)	Operating Frequency $\phi$ (MHz)											
	14.2848			16.00			18.00			20.00		
	n	N	Error (%)	n	N	Error (%)	n	N	Error (%)	n	N	Error (%)
9600	0	1	0.00	0	1	12.01	0	2	15.99	0	2	6.60

**Table 10.9 Maximum Bit Rate at Various Frequencies (Smart Card Interface Mode)**  
(When  $S = 372$ )

$\phi$ (MHz)	Maximum Bit Rate (bit/s)	n	N	$\phi$ (MHz)	Maximum Bit Rate (bit/s)	n	N
7.1424	9600	0	0	14.2848	19200	0	0
10.00	13441	0	0	16.00	21505	0	0
10.7136	14400	0	0	18.00	24194	0	0
13.00	17473	0	0	20.00	26882	0	0

## 10.4 Operation in Asynchronous Mode

Figure 10.2 shows the general format for asynchronous serial communication. One frame consists of a start bit (low level), followed by data (in LSB-first order), a parity bit (high or low level), and finally stop bits (high level). In asynchronous serial communication, the transmission line is usually held in the mark state (high level). The SCI monitors the transmission line. When the transmission line goes to the space state (low level), the SCI recognizes a start bit and starts serial communication. In asynchronous serial communication, the communication line is usually held in the mark state (high level). The SCI monitors the communication line, and when it goes to the space state (low level), recognizes a start bit and starts serial communication. Inside the SCI, the transmitter and receiver are independent units, enabling full-duplex. The transmitter and receiver both have a double-buffered structure, so data can be read or written during transmission or reception, enabling continuous data transfer.



**Figure 10.2 Data Format in Asynchronous Communication (Example with 8-Bit Data, Parity, Two Stop Bits)**

### 10.4.1 Data Transfer Format

Table 10.10 shows the data transfer formats that can be used in asynchronous mode. Any of 12 transfer formats can be selected according to the SMR setting. For details on the multiprocessor bit, see section 10.5, Multiprocessor Communication Function.

Table 10.10 Serial Transfer Formats (Asynchronous Mode)

SMR Settings				Serial Transfer Format and Frame Length												
CHR	PE	MP	STOP	1	2	3	4	5	6	7	8	9	10	11	12	
0	0	0	0	S	8-bit data								STOP			
0	0	0	1	S	8-bit data								STOP	STOP		
0	1	0	0	S	8-bit data								P	STOP		
0	1	0	1	S	8-bit data								P	STOP	STOP	
1	0	0	0	S	7-bit data							STOP				
1	0	0	1	S	7-bit data							STOP	STOP			
1	1	0	0	S	7-bit data							P	STOP			
1	1	0	1	S	7-bit data							P	STOP	STOP		
0	—	1	0	S	8-bit data								MPB	STOP		
0	—	1	1	S	8-bit data								MPB	STOP	STOP	
1	—	1	0	S	7-bit data							MPB	STOP			
1	—	1	1	S	7-bit data							MPB	STOP	STOP		

Legend:

S: Start bit

STOP: Stop bit

P: Parity bit

MPB: Multiprocessor bit



### 10.4.2 Receive Data Sampling Timing and Reception Margin in Asynchronous Mode

In asynchronous mode, the SCI operates on a basic clock with a frequency of 16 times the transfer rate. In reception, the SCI samples the falling edge of the start bit using the basic clock, and performs internal synchronization. Receive data is latched internally at the rising edge of the 8th pulse of the basic clock as shown in figure 10.3. Thus, the reception margin in asynchronous mode is given by formula (1) below.

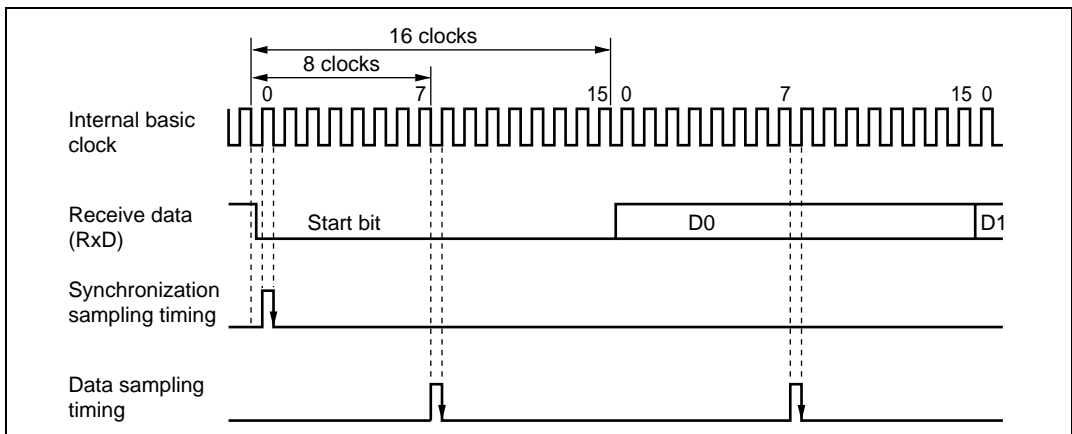
$$M = \left| \left( 0.5 - \frac{1}{2N} \right) - \frac{D - 0.5}{N} - (L - 0.5) F \right| \times 100 [\%] \quad \dots \text{Formula (1)}$$

Where M: Reception margin (%)  
 N: Ratio of bit rate to clock (N = 16)  
 D: Clock duty (D = 0.5 to 1.0)  
 L: Frame length (L = 9 to 12)  
 F: Absolute value of clock rate deviation

Assuming values of F (absolute value of clock rate deviation) = 0 and D (clock duty) = 0.5 in formula (1), the reception margin can be given by the formula.

$$M = \{ 0.5 - 1/(2 \times 16) \} \times 100 [\%] = 46.875\%$$

However, this is only the computed value, and a margin of 20% to 30% should be allowed for in system design.

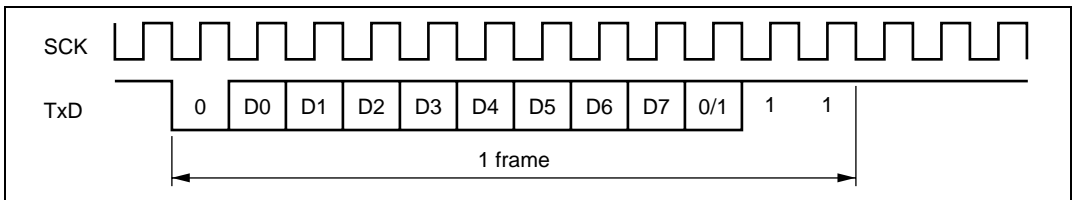


**Figure 10.3 Receive Data Sampling Timing in Asynchronous Mode**

### 10.4.3 Clock

Either an internal clock generated by the on-chip baud rate generator or an external clock input at the SCK pin can be selected as the SCI's serial clock, according to the setting of the C/A bit in SMR and the CKE0 and CKE1 bits in SCR. When an external clock is input at the SCK pin, the clock frequency should be 16 times the bit rate used.

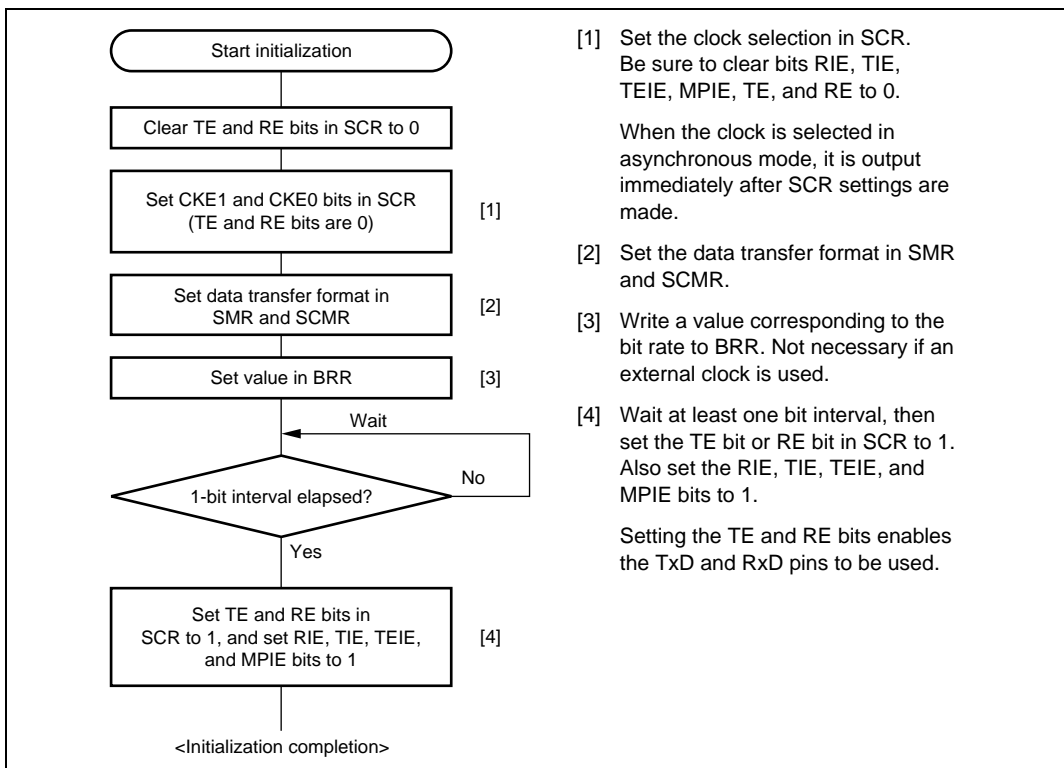
When the SCI is operated on an internal clock, the clock can be output from the SCK pin. The frequency of the clock output in this case is equal to the bit rate, and the phase is such that the rising edge of the clock is in the middle of the transmit data, as shown in Figure 10.4.



**Figure 10.4 Relationship between Output Clock and Transfer Data Phase (Asynchronous Mode)**

### 10.4.4 SCI Initialization (Asynchronous Mode)

Before transmitting and receiving data, you should first clear the TE and RE bits in SCR to 0, then initialize the SCI as described below. When the operating mode, or transfer format, is changed for example, the TE and RE bits must be cleared to 0 before making the change using the following procedure. When the TE bit is cleared to 0, the TDRE flag is set to 1. Note that clearing the RE bit to 0 does not initialize the contents of the RDRF, PER, FER, and ORER flags, or the contents of RDR. When the external clock is used in asynchronous mode, the clock must be supplied even during initialization.



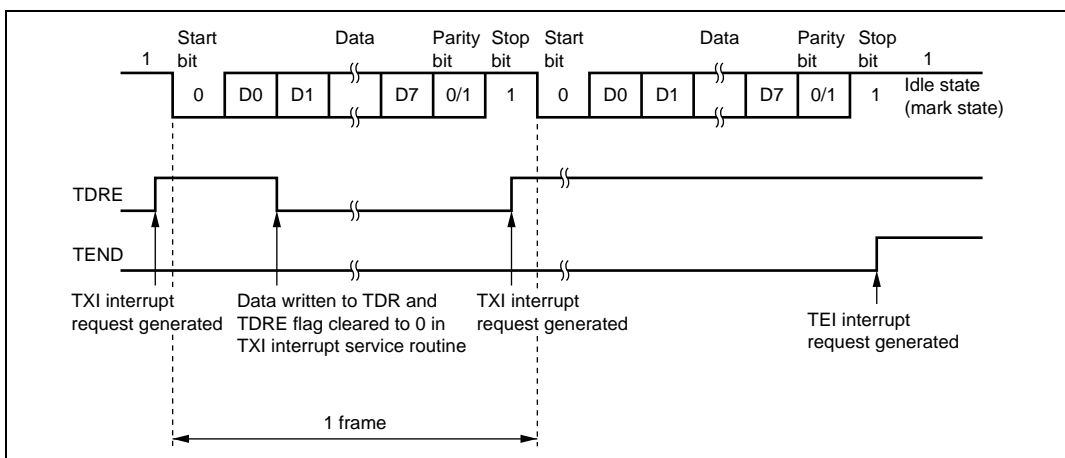
**Figure 10.5 Sample SCI Initialization Flowchart**

### 10.4.5 Data Transmission (Asynchronous Mode)

Figure 10.6 shows an example of operation for transmission in asynchronous mode. In transmission, the SCI operates as described below.

1. The SCI monitors the TDRE flag in SSR. If the flag is cleared to 0, the SCI recognizes that data has been written to TDR, and transfers the data from TDR to TSR.
2. After transferring data from TDR to TSR, the SCI sets the TDRE flag to 1 and starts transmission. If the TIE bit is set to 1 at this time, a transmit data empty interrupt request (TXI) is generated. Continuous transmission is possible because the TXI interrupt routine writes next transmit data to TDR before transmission of the current transmit data has been completed.
3. Data is sent from the TxD pin in the following order: start bit, transmit data, parity bit or multiprocessor bit (may be omitted depending on the format), and stop bit.
4. The SCI checks the TDRE flag at the timing for sending the stop bit.
5. If the TDRE flag is 0, the data is transferred from TDR to TSR, the stop bit is sent, and then serial transmission of the next frame is started.
6. If the TDRE flag is 1, the TEND flag in SSR is set to 1, the stop bit is sent, and then the “mark state” is entered, in which 1 is output. If the TEIE bit in SCR is set to 1 at this time, a TEI interrupt request is generated.

Figure 10.7 shows a sample flowchart for transmission in asynchronous mode.



**Figure 10.6 Example of Operation in Transmission in Asynchronous Mode  
(Example with 8-Bit Data, Parity, One Stop Bit)**

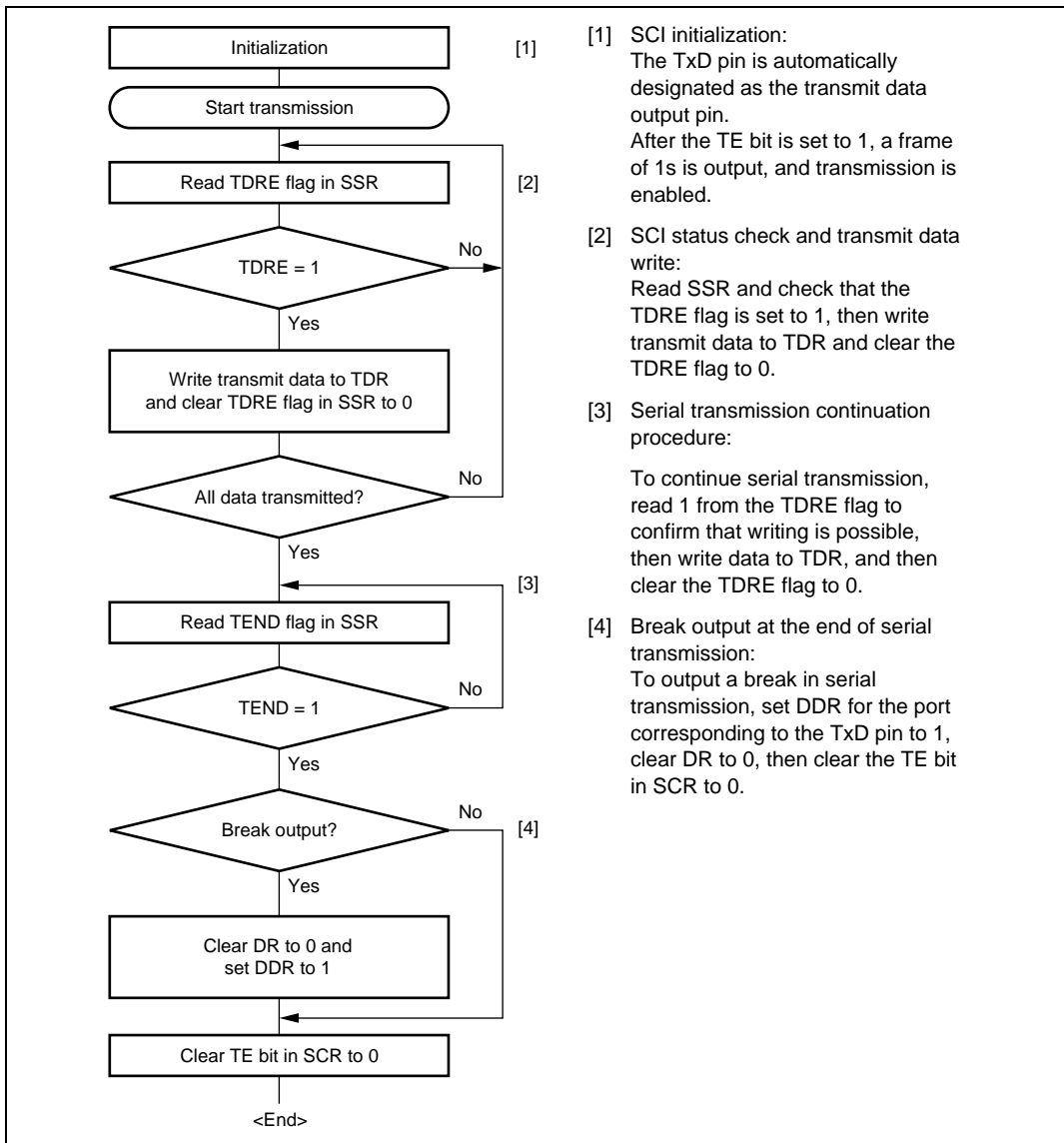
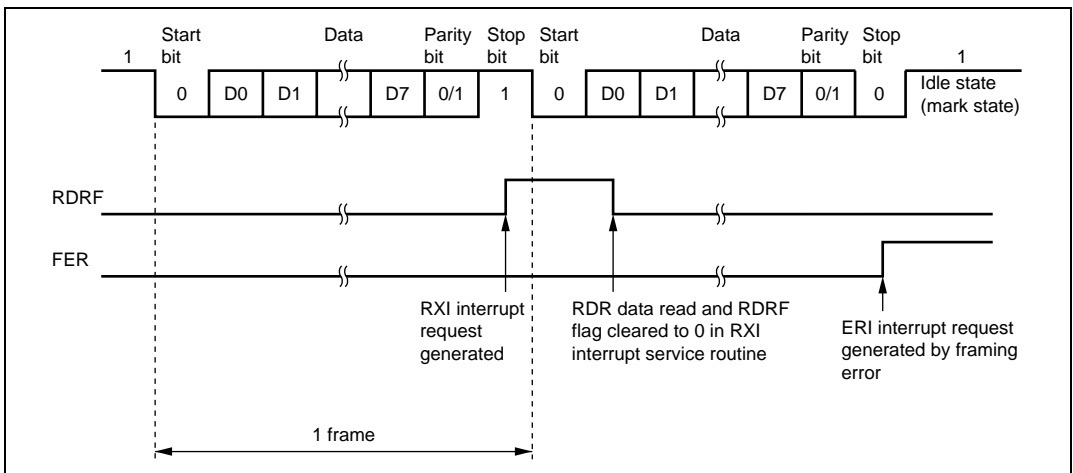


Figure 10.7 Sample Serial Transmission Flowchart

### 10.4.6 Serial Data Reception (Asynchronous Mode)

Figure 10.8 shows an example of operation for reception in asynchronous mode. In serial reception, the SCI operates as described below.

1. The SCI monitors the communication line. If a start bit is detected, the SCI performs internal synchronization, receives receive data in RSR, and checks the parity bit and stop bit.
2. If an overrun error occurs (when reception of the next data is completed while the RDRF flag is still set to 1), the ORE bit in SSR is set to 1. If the RIE bit in SCR is set to 1 at this time, an ERI interrupt request is generated. Receive data is not transferred to RDR. The RDRF flag remains to be set to 1.
3. If a parity error is detected, the PER bit in SSR is set to 1 and receive data is transferred to RDR. If the RIE bit in SCR is set to 1 at this time, an ERI interrupt request is generated.
4. If a framing error is detected (when the stop bit is 0), the FER bit in SSR is set to 1 and receive data is transferred to RDR. If the RIE bit in SCR is set to 1 at this time, an ERI interrupt request is generated.
5. If reception is completed successfully, the RDRF bit in SSR is set to 1, and receive data is transferred to RDR. If the RIE bit in SCR is set to 1 at this time, an RXI interrupt request is generated. Continuous reception is possible because the RXI interrupt routine reads the receive data transferred to RDR before reception of the next receive data has been completed.



**Figure 10.8 Example of SCI Operation in Reception**  
(Example with 8-Bit Data, Parity, One Stop Bit)

Table 10.11 shows the states of the SSR status flags and receive data handling when a receive error is detected. If a receive error is detected, the RDRF flag retains its state before receiving data. Reception cannot be resumed while a receive error flag is set to 1. Accordingly, clear the ORER, FER, PER, and RDRF bits to 0 before resuming reception. Figure 10.9 shows a sample flow chart for serial data reception.

**Table 10.11 SSR Status Flags and Receive Data Handling**

SSR Status Flag				Receive Data	Receive Error Type
RDRF*	ORER	FER	PER		
1	1	0	0	Lost	Overrun error
0	0	1	0	Transferred to RDR	Framing error
0	0	0	1	Transferred to RDR	Parity error
1	1	1	0	Lost	Overrun error + framing error
1	1	0	1	Lost	Overrun error + parity error
0	0	1	1	Transferred to RDR	Framing error + parity error
1	1	1	1	Lost	Overrun error + framing error + parity error

Note: \* The RDRF flag retains the state it had before data reception.

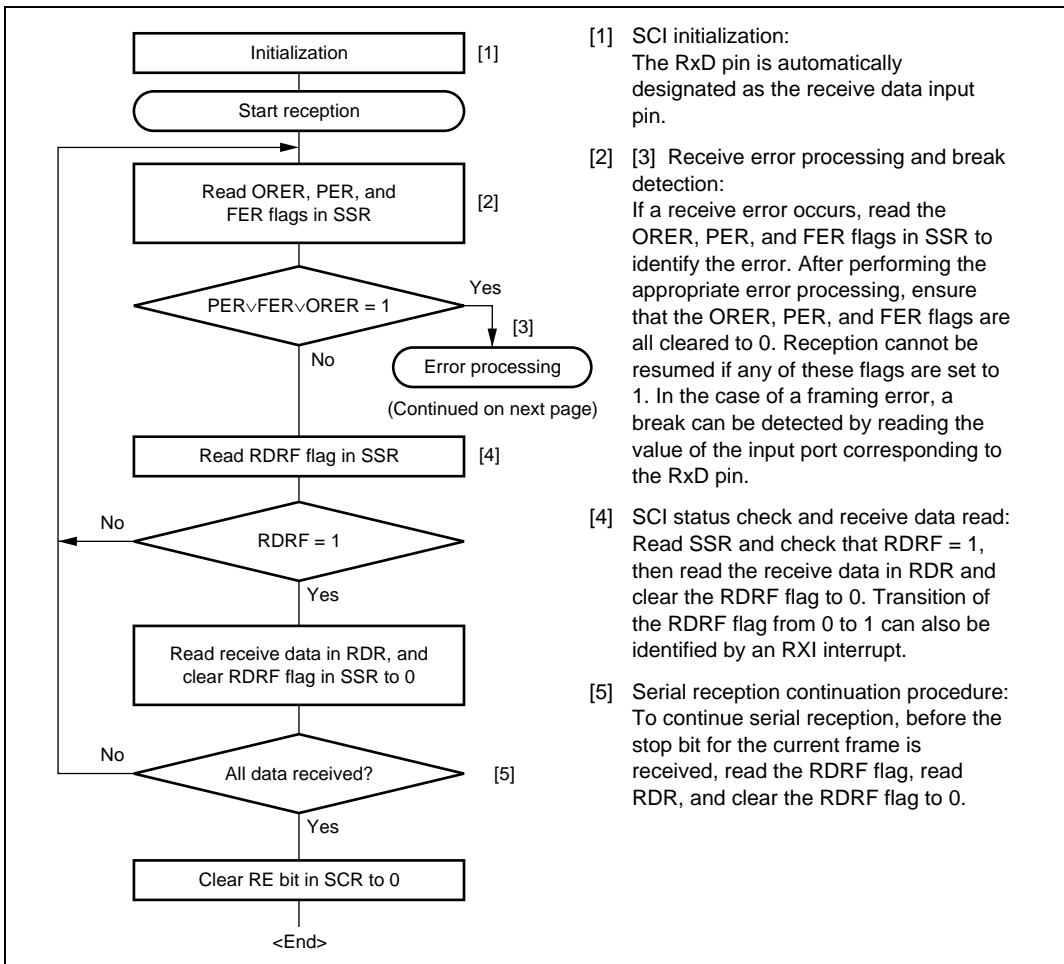
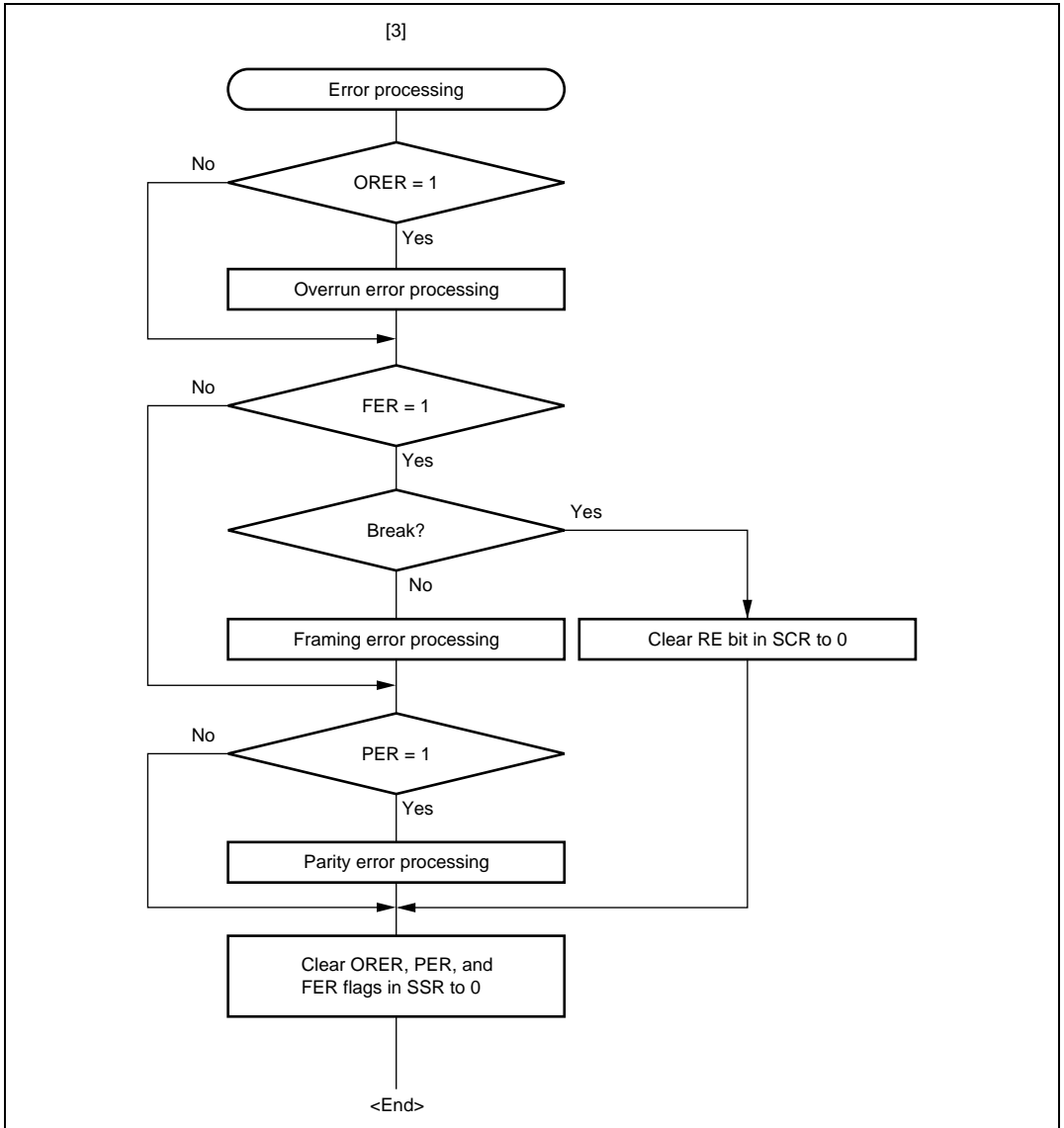


Figure 10.9 Sample Serial Reception Data Flowchart (1)





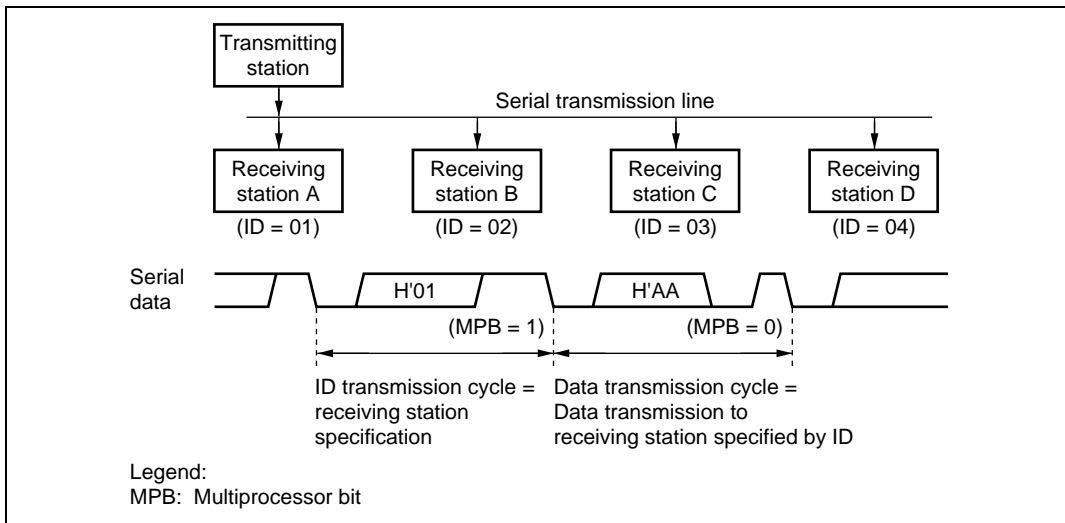
**Figure 10.9 Sample Serial Reception Data Flowchart (2)**

## 10.5 Multiprocessor Communication Function

Use of the multiprocessor communication function enables data transfer between a number of processors sharing communication lines by asynchronous serial communication using the multiprocessor format, in which a multiprocessor bit is added to the transfer data. When multiprocessor communication is performed, each receiving station is addressed by a unique ID code. The serial communication cycle consists of two component cycles; an ID transmission cycle that specifies the receiving station, and a data transmission cycle. The multiprocessor bit is used to differentiate between the ID transmission cycle and the data transmission cycle. If the multiprocessor bit is 1, the cycle is an ID transmission cycle; if the multiprocessor bit is 0, the cycle is a data transmission cycle. Figure 10.10 shows an example of inter-processor communication using the multiprocessor format. The transmitting station first sends the ID code of the receiving station with which it wants to perform serial communication as data with a 1 multiprocessor bit added. It then sends transmit data as data with a 0 multiprocessor bit added. When data with a 1 multiprocessor bit is received, the receiving station compares that data with its own ID. The station whose ID matches then receives the data sent next. Stations whose IDs do not match continue to skip data until data with a 1 multiprocessor bit is again received.

The SCI uses the MPIE bit in SCR to implement this function. When the MPIE bit is set to 1, transfer of receive data from RSR to RDR, error flag detection, and setting the SSR status flags, RDRF, FER, and ORER to 1, are inhibited until data with a 1 multiprocessor bit is received. On reception of a receive character with a 1 multiprocessor bit, the MPB bit in SSR is set to 1 and the MPIE bit is automatically cleared, thus normal reception is resumed. If the RIE bit in SCR is set to 1 at this time, an RXI interrupt is generated.

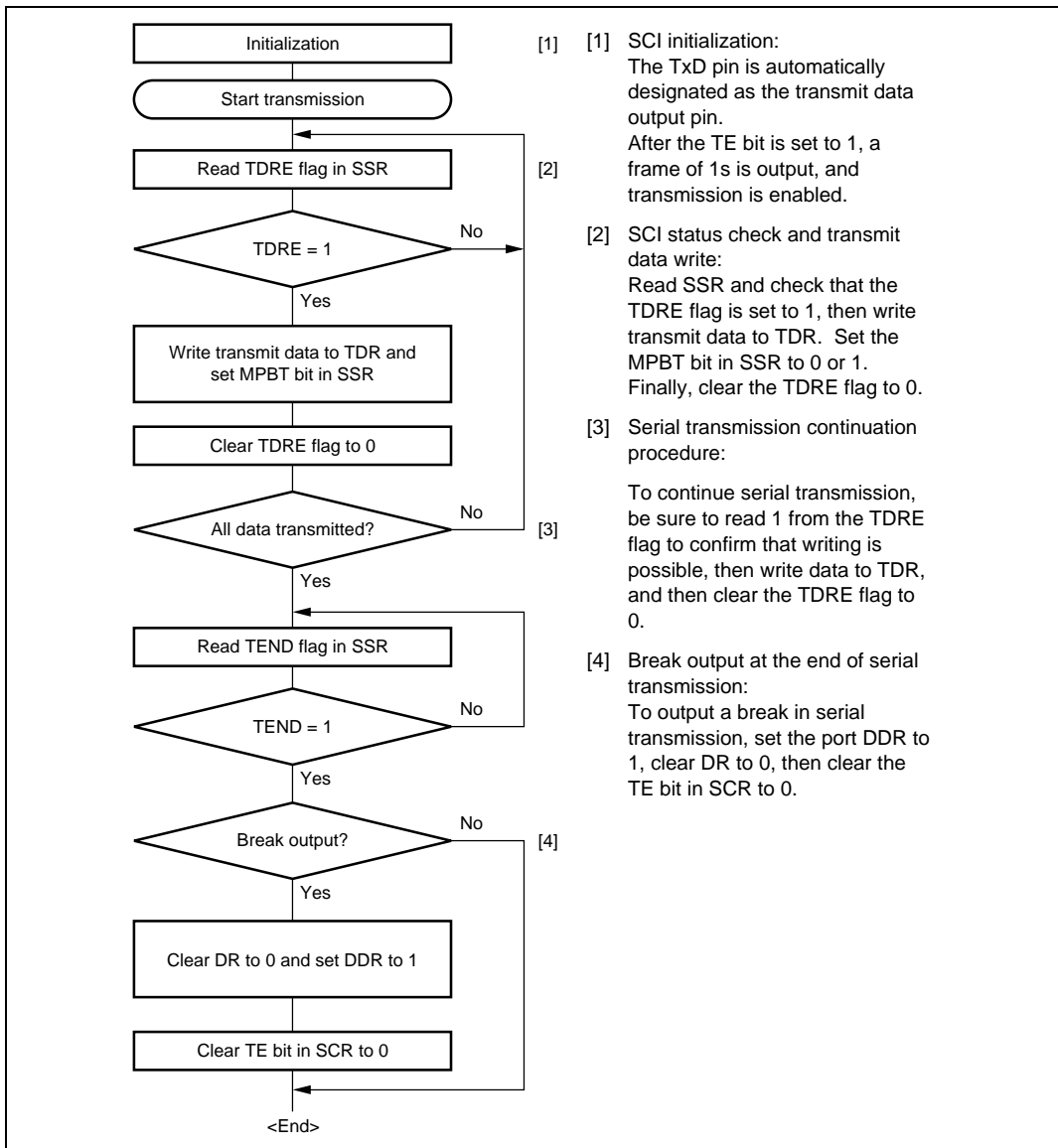
When the multiprocessor format is selected, the parity bit setting is rendered invalid. All other bit settings are the same as those in normal asynchronous mode. The clock used for multiprocessor communication is the same as that in normal asynchronous mode.



**Figure 10.10 Example of Communication Using Multiprocessor Format  
(Transmission of Data H'AA to Receiving Station A)**

### 10.5.1 Multiprocessor Serial Data Transmission

Figure 10.11 shows a sample flowchart for multiprocessor serial data transmission. For an ID transmission cycle, set the MPBT bit in SSR to 1 before transmission. For a data transmission cycle, clear the MPBT bit in SSR to 0 before transmission. All other SCI operations are the same as those in asynchronous mode.

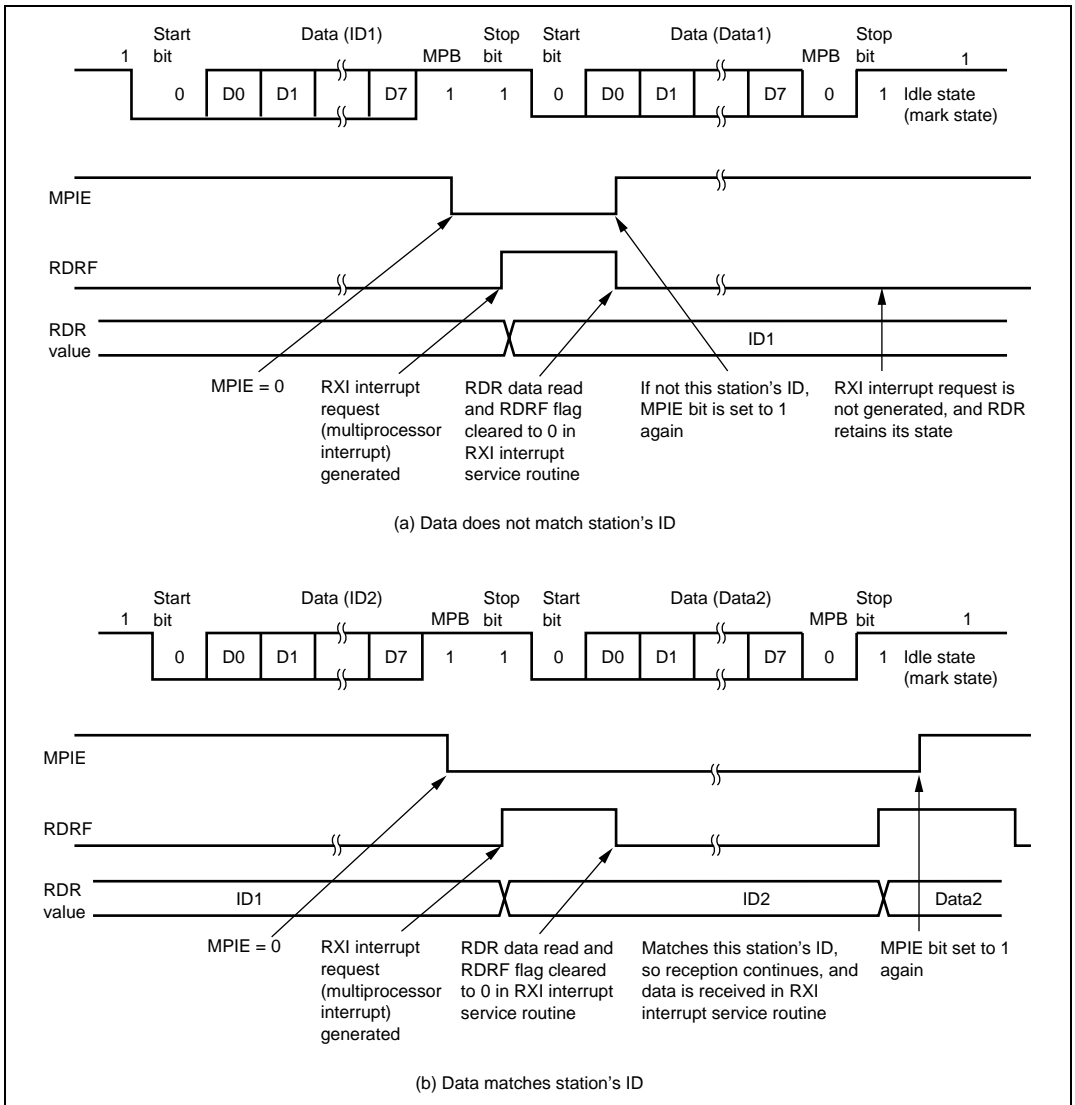


**Figure 10.11 Sample Multiprocessor Serial Transmission Flowchart**

### 10.5.2 Multiprocessor Serial Data Reception

Figure 10.13 shows a sample flowchart for multiprocessor serial data reception. If the MPIE bit in SCR is set to 1, data is skipped until data with a 1 multiprocessor bit is sent. On receiving data

with a 1 multiprocessor bit, the receive data is transferred to RDR. An RXI interrupt request is generated at this time. All other SCI operations are the same as in asynchronous mode. Figure 10.12 shows an example of SCI operation for multiprocessor format reception.



**Figure 10.12 Example of SCI Operation in Reception (Example with 8-Bit Data, Multiprocessor Bit, One Stop Bit)**

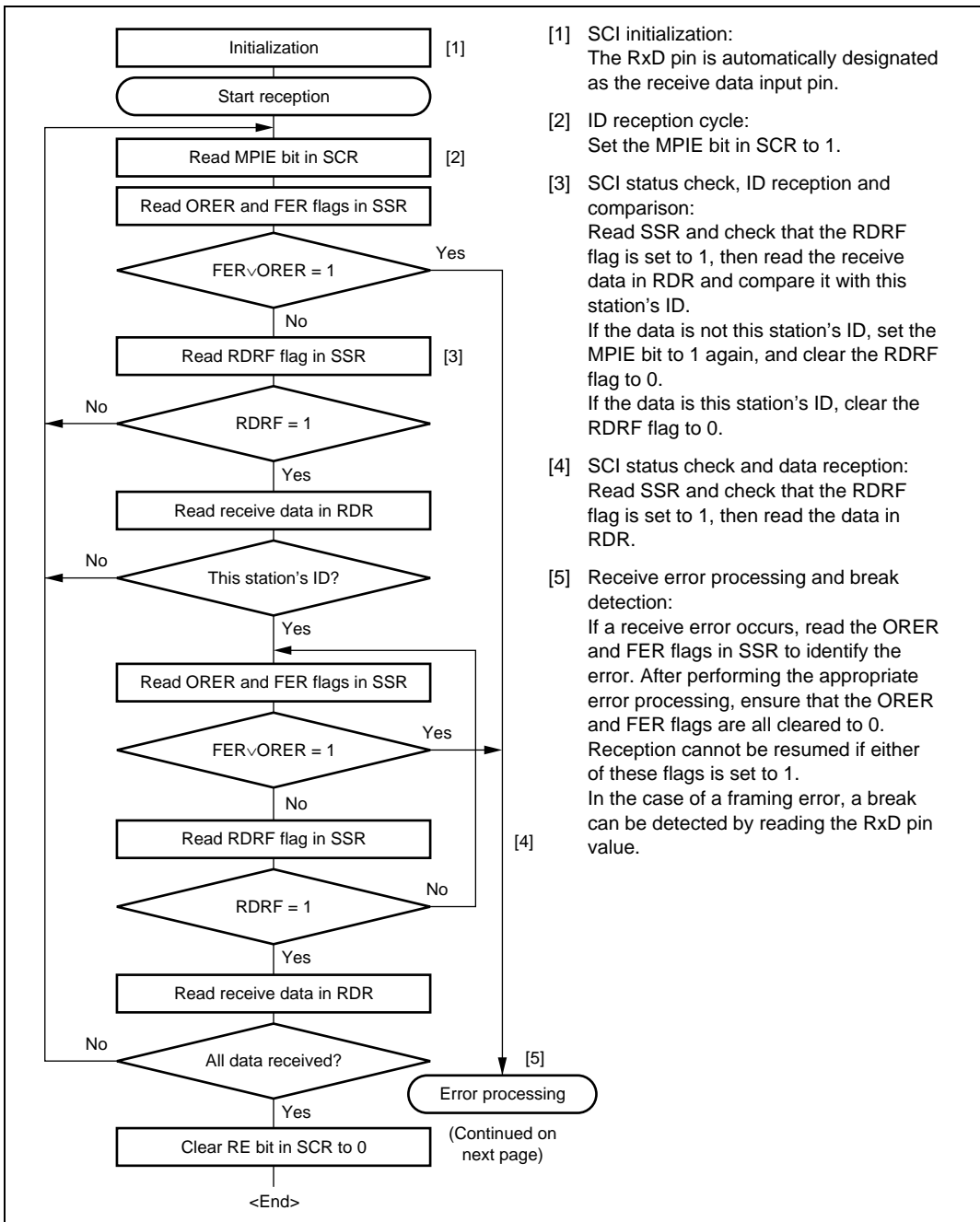
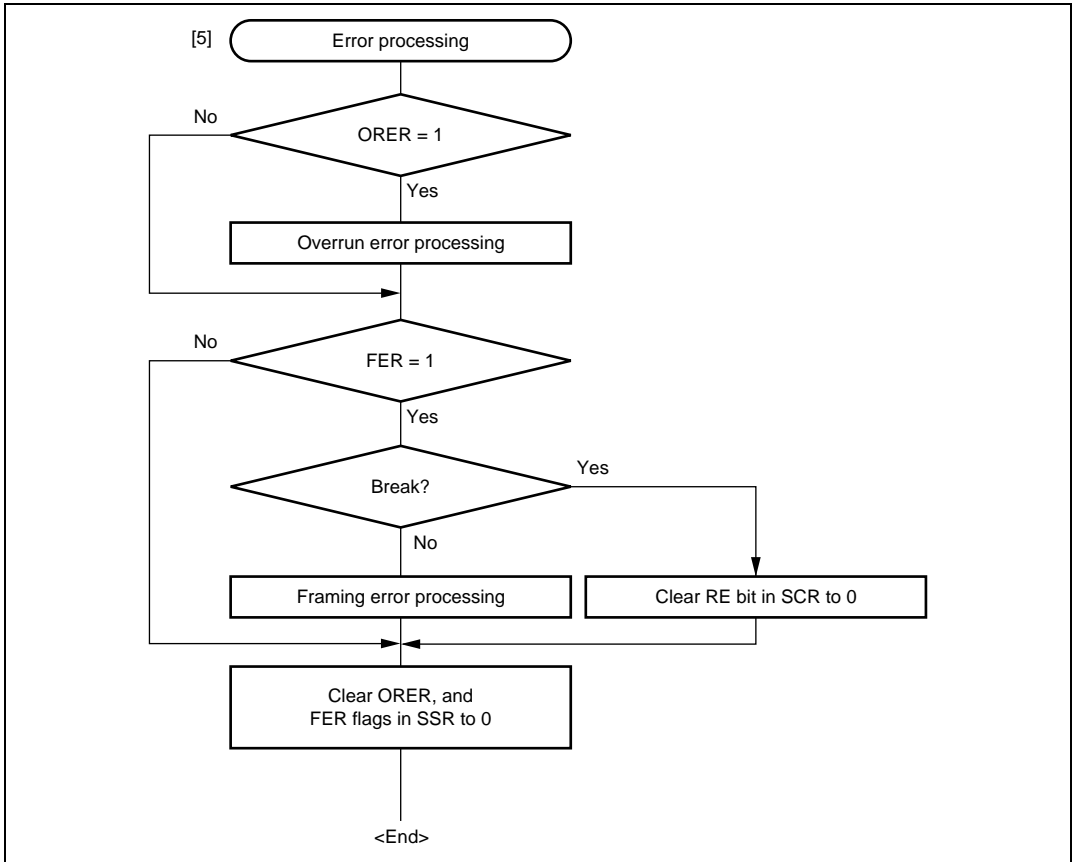


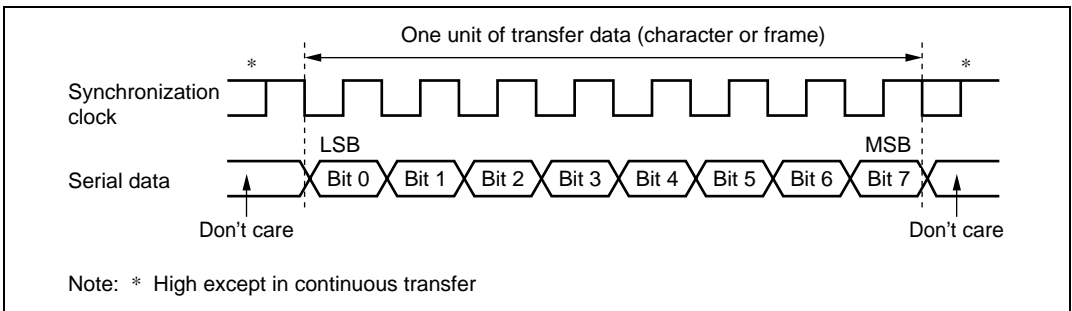
Figure 10.13 Sample Multiprocessor Serial Reception Flowchart (1)



**Figure 10.13 Sample Multiprocessor Serial Reception Flowchart (2)**

## 10.6 Operation in Clocked Synchronous Mode

Figure 10.14 shows the general format for clocked synchronous communication. In clocked synchronous mode, data is transmitted or received synchronous with clock pulses. In clocked synchronous serial communication, data on the transmission line is output from one falling edge of the serial clock to the next. In clocked synchronous mode, the SCI receives data in synchronous with the rising edge of the serial clock. After 8-bit data is output, the transmission line holds the MSB state. In clocked synchronous mode, no parity or multiprocessor bit is added. Inside the SCI, the transmitter and receiver are independent units, enabling full-duplex communication through the use of a common clock. The transmitter and the receiver both have a double-buffered structure, so data can be read or written during transmission or reception, enabling continuous data transfer.



**Figure 10.14 Data Format in Synchronous Communication (for LSB-First)**

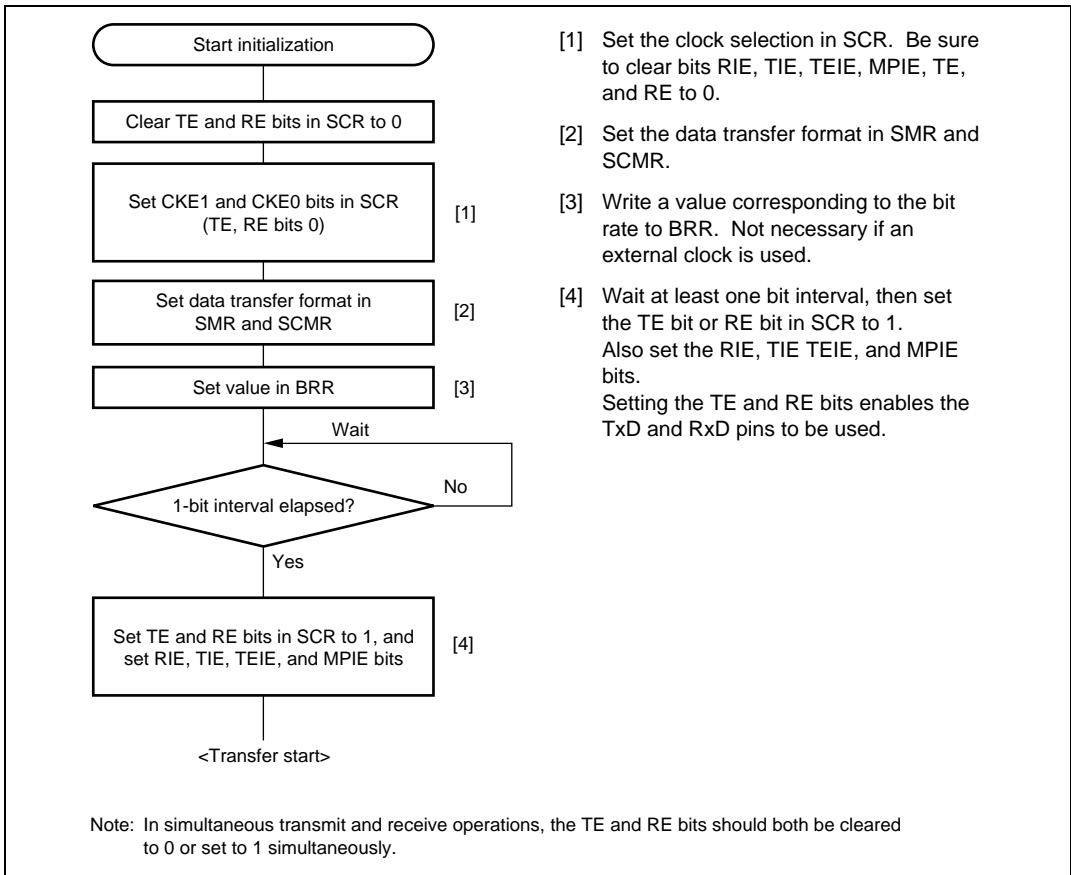
### 10.6.1 Clock

Either an internal clock generated by the on-chip baud rate generator or an external synchronization clock input at the SCK pin can be selected, according to the setting of CKE0 and CKE1 bits in SCR. When the SCI is operated on an internal clock, the serial clock is output from the SCK pin. Eight serial clock pulses are output in the transfer of one character, and when no transfer is performed the clock is fixed high.



## 10.6.2 SCI Initialization (Clocked Synchronous Mode)

Before transmitting and receiving data, the TE and RE bits in SCR should be cleared to 0, and then the SCI should be initialized as described in a sample flowchart in Figure 10.15. When the operating mode, or transfer format, is changed for example, the TE and RE bits must be cleared to 0 before making the change using the following procedure. When the TE bit is cleared to 0, the TDRE flag is set to 1. Note that clearing the RE bit to 0 does not change the contents of the RDRF, PER, FER, and ORER flags, or the contents of RDR.



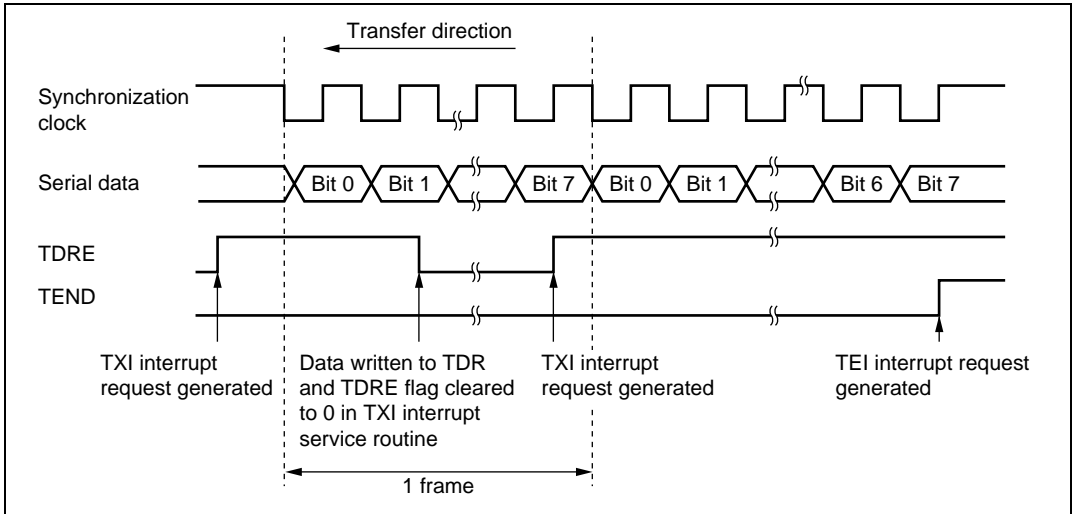
**Figure 10.15 Sample SCI Initialization Flowchart**

### 10.6.3 Serial Data Transmission (Clocked Synchronous Mode)

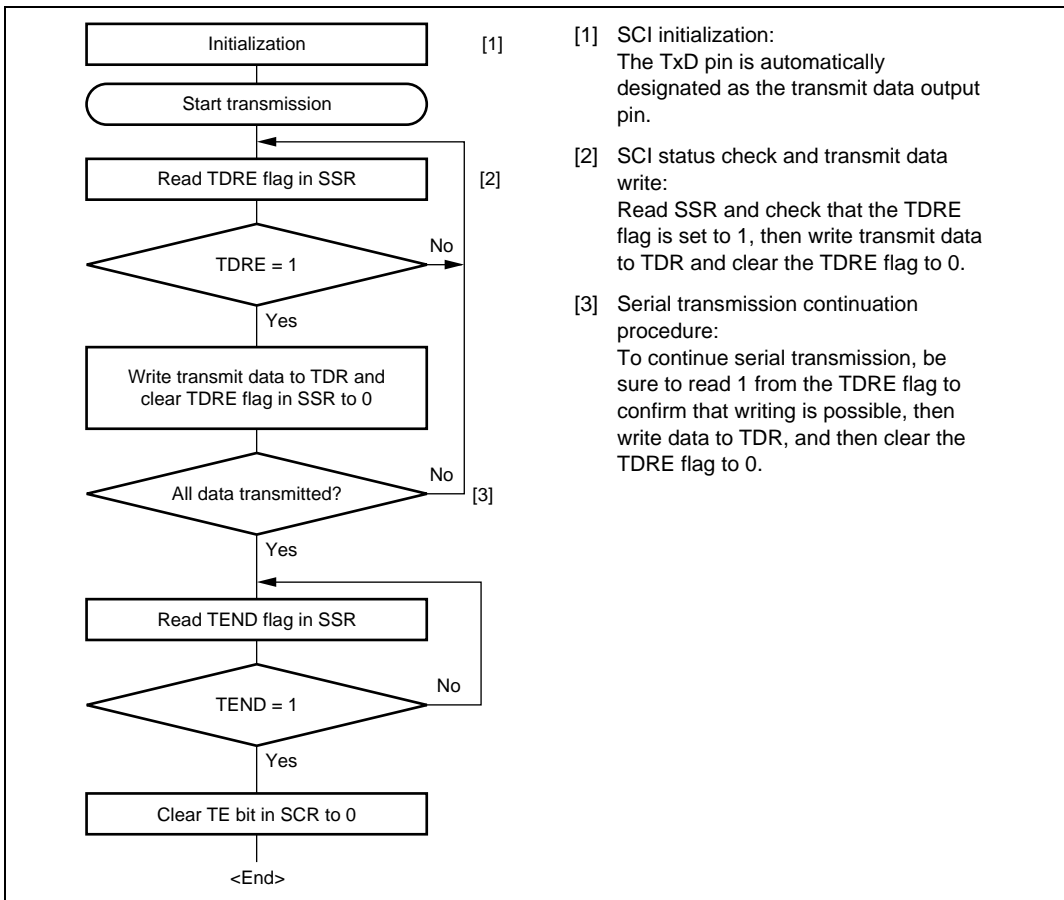
Figure 10.16 shows an example of SCI operation for transmission in clocked synchronous mode. In serial transmission, the SCI operates as described below.

1. The SCI monitors the TDRE flag in SSR, and if the flag is 0, the SCI recognizes that data has been written to TDR, and transfers the data from TDR to TSR.
2. After transferring data from TDR to TSR, the SCI sets the TDRE flag to 1 and starts transmission. If the TIE bit in SCR is set to 1 at this time, a transmit data empty interrupt (TXI) is generated. Continuous transmission is possible because the TXI interrupt routine writes the next transmit data to TDR before transmission of the current transmit data has been completed.
3. 8-bit data is sent from the TxD pin synchronized with the output clock when output clock mode has been specified, and synchronized with the input clock when use of an external clock has been specified.
4. The SCI checks the TDRE flag at the timing for sending the MSB (bit 7).
5. If the TDRE flag is cleared to 0, data is transferred from TDR to TSR, and serial transmission of the next frame is started.
6. If the TDRE flag is set to 1, the TEND flag in SSR is set to 1, and the TDRE flag maintains the output state of the last bit. If the TEIE bit in SCR is set to 1 at this time, a TEI interrupt request is generated. The SCK pin is fixed high.

Figure 10.17 shows a sample flow chart for serial data transmission. Even if the TDRE flag is cleared to 0, transmission will not start while a receive error flag (ORER, FER, or PER) is set to 1. Make sure that the receive error flags are cleared to 0 before starting transmission. Note that clearing the RE bit to 0 does not clear the receive error flags.



**Figure 10.16 Sample SCI Transmission Operation in Clocked Synchronous Mode**

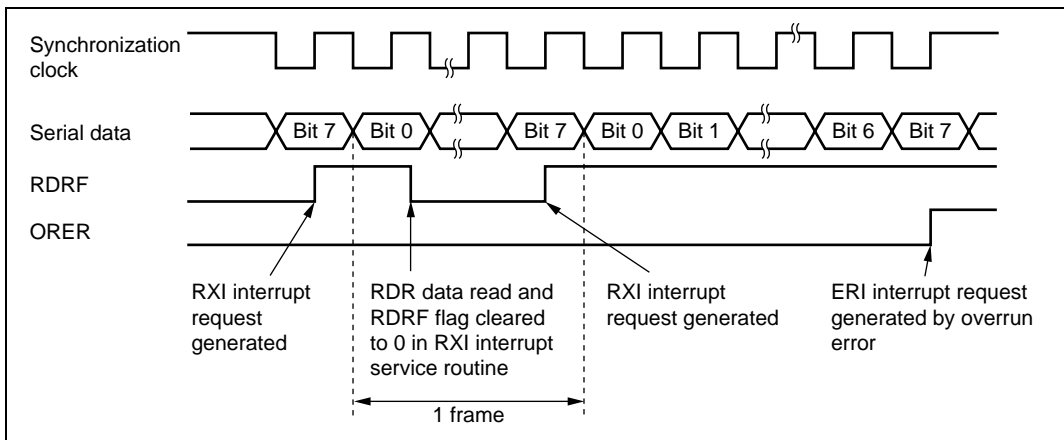


**Figure 10.17 Sample Serial Transmission Flowchart**

### 10.6.4 Serial Data Reception (Clocked Synchronous Mode)

Figure 10.18 shows an example of SCI operation for reception in clocked synchronous mode. In serial reception, the SCI operates as described below.

1. The SCI performs internal initialization synchronous with a synchronous clock input or output, starts receiving data, and stores the received data in RSR.
2. If an overrun error occurs (when reception of the next data is completed while the RDRF flag in SSR is still set to 1), the ORER bit in SSR is set to 1. If the RIE bit in SCR is set to 1 at this time, an ERI interrupt request is generated, receive data is not transferred to RDR, and the RDRF flag remains to be set to 1.
3. If reception is completed successfully, the RDRF bit in SSR is set to 1, and receive data is transferred to RDR. If the RIE bit in SCR is set to 1 at this time, an RXI interrupt request is generated. Continuous reception is possible because the RXI interrupt routine reads the receive data transferred to RDR before reception of the next receive data has finished.



**Figure 10.18 Example of SCI Operation in Reception**

Reception cannot be resumed while a receive error flag is set to 1. Accordingly, clear the ORER, FER, PER, and RDRF bits to 0 before resuming reception. Figure 10.19 shows a sample flow chart for serial data reception.

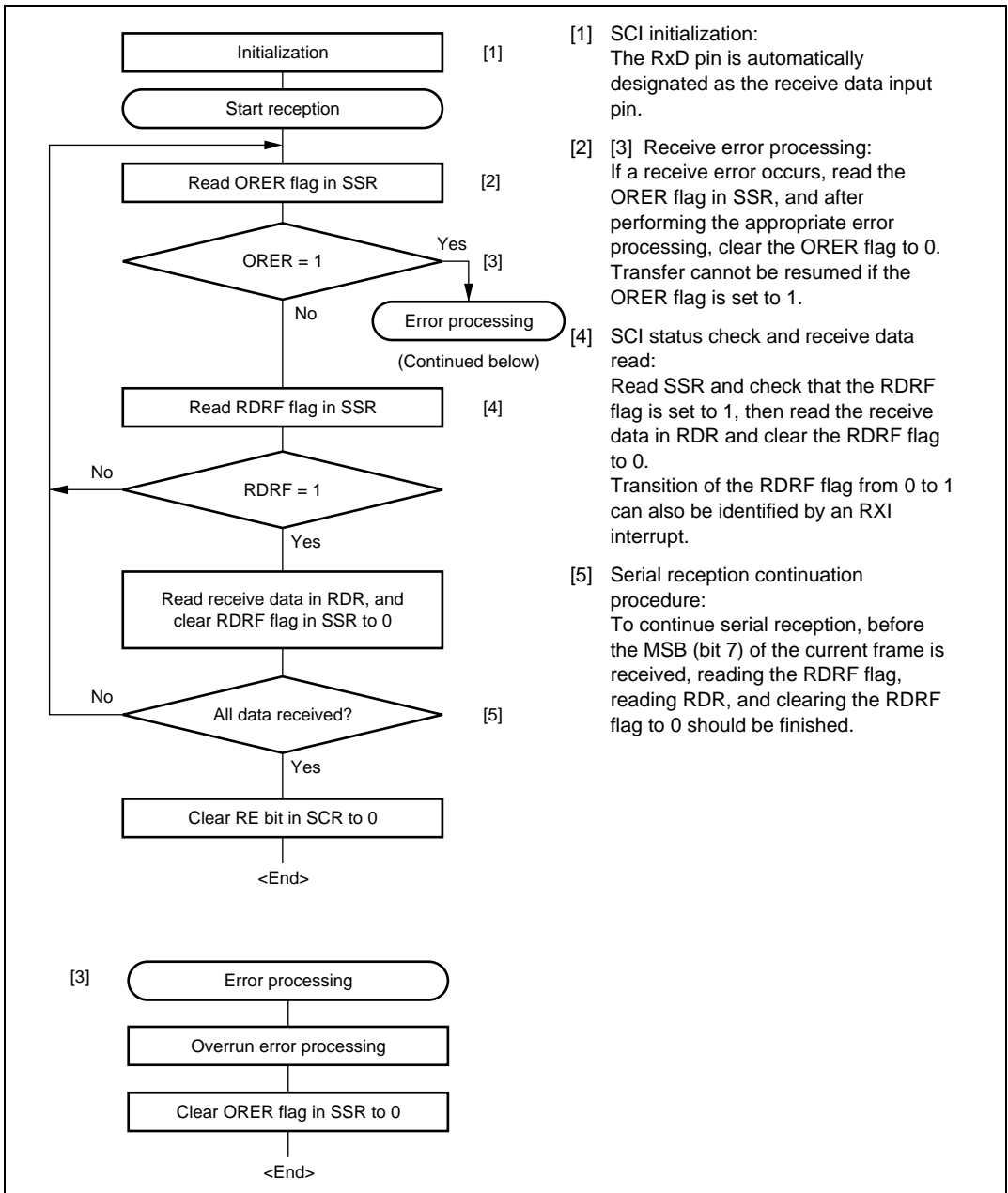
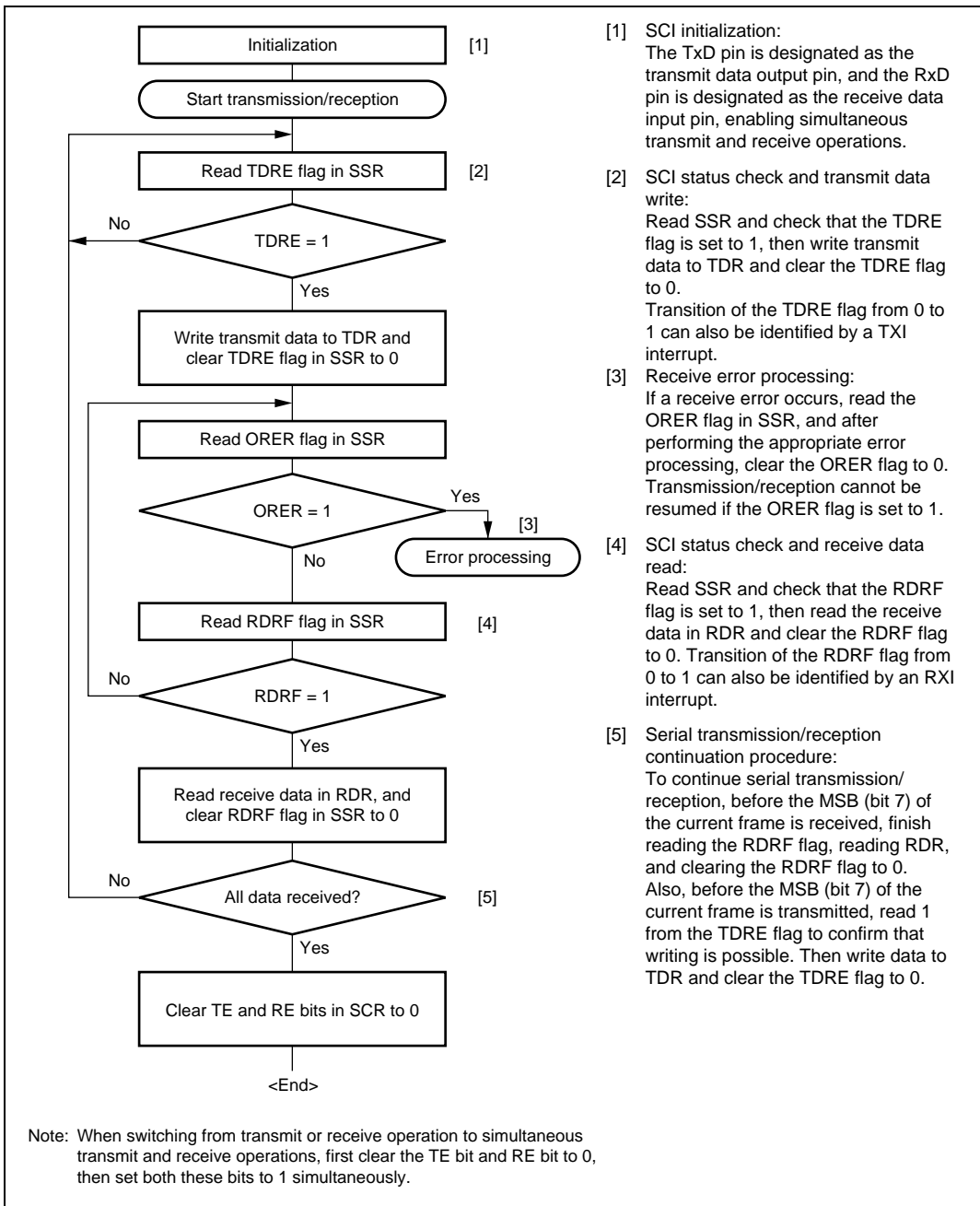


Figure 10.19 Sample Serial Reception Flowchart

### 10.6.5 Simultaneous Serial Data Transmission and Reception (Clocked Synchronous Mode)

Figure 10.20 shows a sample flowchart for simultaneous serial transmit and receive operations. The following procedure should be used for simultaneous serial data transmit and receive operations. To switch from transmit mode to simultaneous transmit and receive mode, after checking that the SCI has finished transmission and the TDRE and TEND flags are set to 1, clear TE to 0. Then simultaneously set TE and RE to 1 with a single instruction. To switch from receive mode to simultaneous transmit and receive mode, after checking that the SCI has finished reception, clear RE to 0. Then after checking that the RDRF and receive error flags (ORER, FER, and PER) are cleared to 0, simultaneously set TE and RE to 1 with a single instruction.



**Figure 10.20 Sample Flowchart of Simultaneous Serial Transmit and Receive Operations**

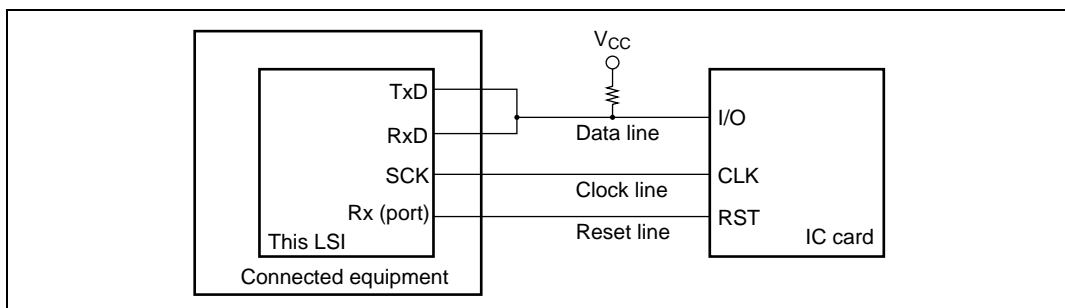


## 10.7 Operation in Smart Card Interface

The SCI supports an IC card (Smart Card) interface that conforms to ISO/IEC 7816-3 (Identification Card) as a serial communication interface extension function. Switching between the normal serial communication interface and the Smart Card interface mode is carried out by means of a register setting.

### 10.7.1 Pin Connection Example

Figure 10.21 shows an example of connection with the Smart Card. In communication with an IC card, as both transmission and reception are carried out on a single data transmission line, the TxD pin and RxD pin should be connected to the LSI pin. The data transmission line should be pulled up to the  $V_{cc}$  power supply with a resistor. If an IC card is not connected, and the TE and RE bits are both set to 1, closed transmission/reception is possible, enabling self-diagnosis to be carried out. When the clock generated on the Smart Card interface is used by an IC card, the SCK pin output is input to the CLK pin of the IC card. This LSI port output is used as the reset signal.

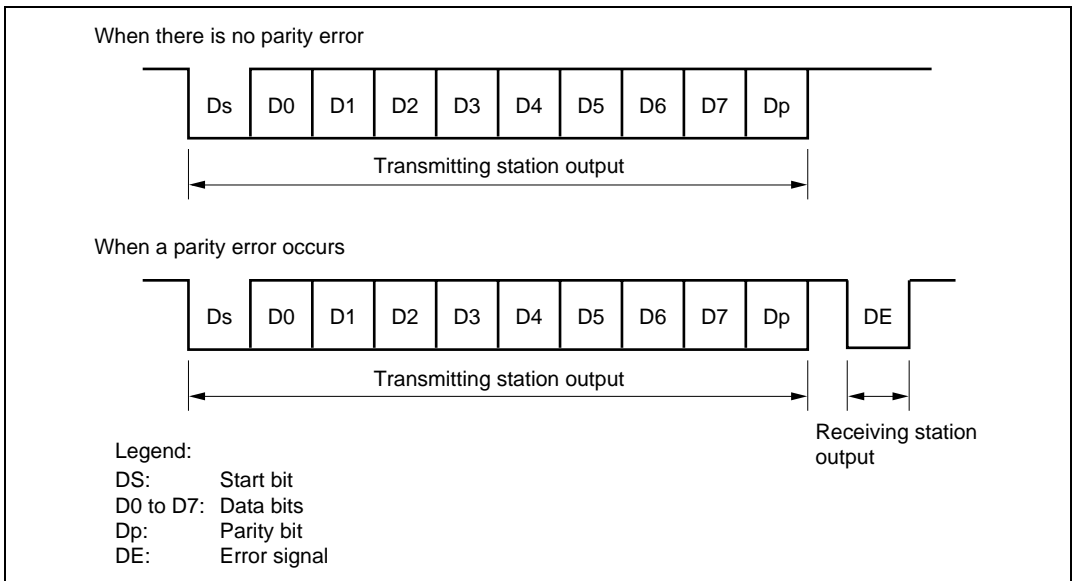


**Figure 10.21 Schematic Diagram of Smart Card Interface Pin Connections**

### 10.7.2 Data Format (Except for Block Transfer Mode)

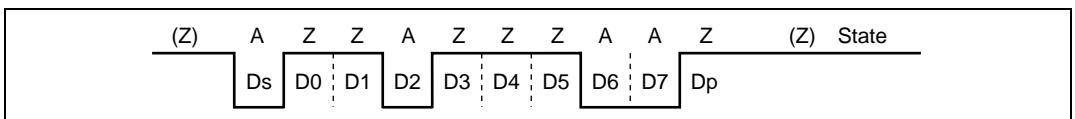
Figure 10.22 shows the transfer data format in Smart Card interface mode.

- One frame consists of 8-bit data plus a parity bit in asynchronous mode.
- In transmission, a guard time of at least 2 etu (Elementary Time Unit: the time for transfer of one bit) is left between the end of the parity bit and the start of the next frame.
- If a parity error is detected during reception, a low error signal level is output for one etu period, 10.5 etu after the start bit.
- If an error signal is sampled during transmission, the same data is retransmitted automatically after a delay of 2 etu or longer.



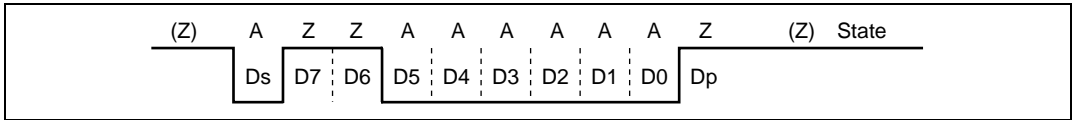
**Figure 10.22 Normal Smart Card Interface Data Format**

Data transfer with other types of IC cards (direct convention and inverse convention) are performed as described in the following.



**Figure 10.23 Direct Convention (SDIR = SINV = O/E = 0)**

With the direction convention type IC and the above sample start character, the logic 1 level corresponds to state Z and the logic 0 level to state A, and transfer is performed in LSB-first order. The start character data above is H'3B. For the direct convention type, clear the SDIR and SINV bits in SCMR to 0. According to Smart Card regulations, clear the O/ $\bar{E}$  bit in SMR to 0 to select even parity mode.



**Figure 10.24 Inverse Convention (SDIR = SINV = O/ $\bar{E}$  = 1)**

With the inverse convention type, the logic 1 level corresponds to state A and the logic 0 level to state Z, and transfer is performed in MSB-first order. The start character data for the above is H'3F. For the inverse convention type, set the SDIR and SINV bits in SCMR to 1. According to Smart Card regulations, even parity mode is the logic 0 level of the parity bit, and corresponds to state Z. In this LSI, the SINV bit inverts only data bits D0 to D7. Therefore, set the O/ $\bar{E}$  bit in SMR to 1 to invert the parity bit for both transmission and reception.

### 10.7.3 Block Transfer Mode

Operation in block transfer mode is the same as that in SCI asynchronous mode, except for the following points.

- In reception, though the parity check is performed, no error signal is output even if an error is detected. However, the PER bit in SSR is set to 1 and must be cleared before receiving the parity bit of the next frame.
- In transmission, a guard time of at least 1 etu is left between the end of the parity bit and the start of the next frame.
- In transmission, because retransmission is not performed, the TEND flag is set to 1, 11.5 etu after transmission start.
- As with the normal Smart Card interface, the ERS flag indicates the error signal status, but since error signal transfer is not performed, this flag is always cleared to 0.

### 10.7.4 Receive Data Sampling Timing and Reception Margin in Smart Card Interface Mode

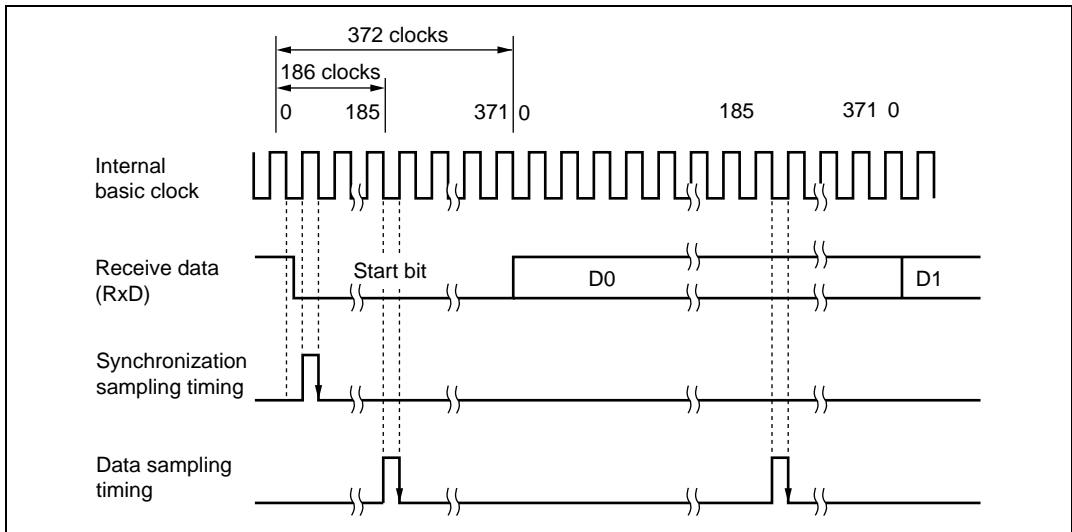
In Smart Card interface mode, the SCI operates on a basic clock with a frequency of 32, 64, 372, or 256 times the transfer rate (fixed at 16 times in normal asynchronous mode) as determined by bits BCP1 and BCP0. In reception, the SCI samples the falling edge of the start bit using the basic clock, and performs internal synchronization. As shown in Figure 10.25, by sampling receive data at the rising-edge of the 16th, 32nd, 186th, or 128th pulse of the basic clock, data can be latched at the middle of the bit. The reception margin is given by the following formula.

$$M = \left| \left( 0.5 - \frac{1}{2N} \right) - (L - 0.5) F - \frac{|D - 0.5|}{N} (1 + F) \right| \times 100\%$$

- Where
- M: Reception margin (%)
  - N: Ratio of bit rate to clock (N = 32, 64, 372, and 256)
  - D: Clock duty (D = 0 to 1.0)
  - L: Frame length (L = 10)
  - F: Absolute value of clock frequency deviation

Assuming values of F = 0, D = 0.5 and N = 372 in the above formula, the reception margin formula is as follows.

$$\begin{aligned} M &= (0.5 - 1/2 \times 372) \times 100\% \\ &= 49.866\% \end{aligned}$$



**Figure 10.25 Receive Data Sampling Timing in Smart Card Mode  
(Using Clock of 372 Times the Transfer Rate)**

### 10.7.5 Initialization

Before transmitting and receiving data, initialize the SCI as described below. Initialization is also necessary when switching from transmit mode to receive mode, or vice versa.

1. Clear the TE and RE bits in SCR to 0.
2. Clear the error flags ERS, PER, and ORER in SSR to 0.
3. Set the GM, BLK,  $O/\bar{E}$ , BCP0, BCP1, CKS0, and CKS1 bits in SMR. Set the PE bit to 1.
4. Set the SMIF, SDIR, and SINV bits in SCMR.

When the SMIF bit is set to 1, the TxD and RxD pins are both switched from ports to SCI pins, and are placed in the high-impedance state.

5. Set the value corresponding to the bit rate in BRR.
6. Set the CKE0 and CKE1 bits in SCR. Clear the TIE, RIE, TE, RE, MPiE, and TEiE bits to 0. If the CKE0 bit is set to 1, the clock is output from the SCK pin.
7. Wait at least one bit interval, then set the TIE, RIE, TE, and RE bits in SCR. Do not set the TE bit and RE bit at the same time, except for self-diagnosis.

To switch from receive mode to transmit mode, after checking that the SCI has finished reception, initialize the SCI, and set RE to 0 and TE to 1. Whether SCI has finished reception or not can be checked with the RDRF, PER, or ORER flags. To switch from transmit mode to receive mode,

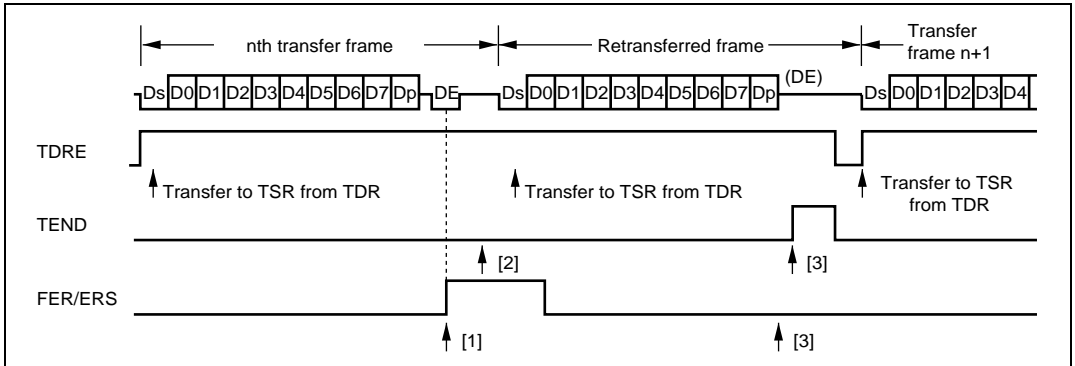
after checking that the SCI has finished transmission, initialize the SCI, and set TE to 0 and RE to 1. Whether SCI has finished transmission or not can be checked with the TEND flag.

### 10.7.6 Data Transmission (Except for Block Transfer Mode)

As data transmission in Smart Card interface mode involves error signal sampling and retransmission processing, the operations are different from those in normal serial communication interface mode (except for block transfer mode). Figure 10.26 illustrates the retransfer operation when the SCI is in transmit mode.

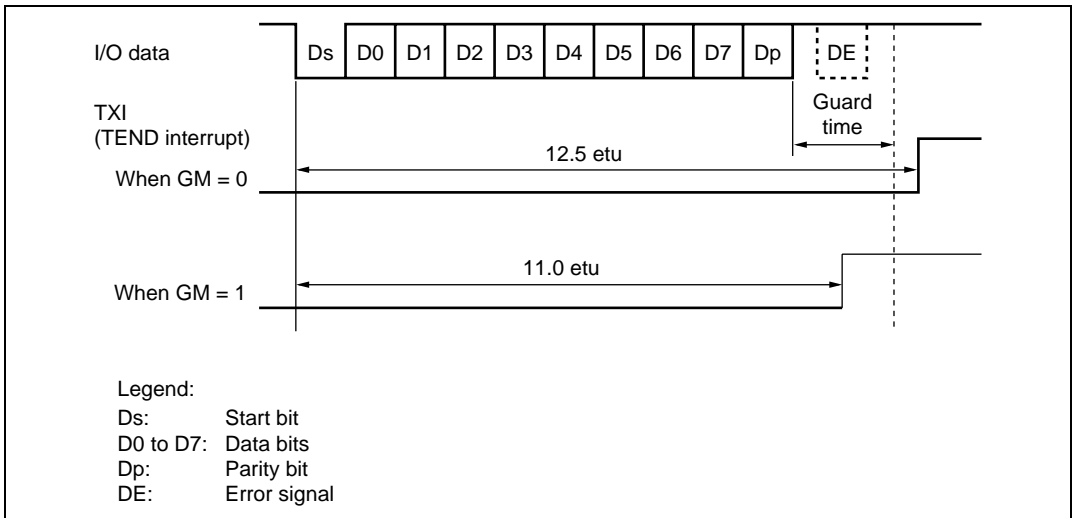
1. If an error signal is sent back from the receiving end after transmission of one frame is complete, the ERS bit in SSR is set to 1. If the RIE bit in SCR is enabled at this time, an ERI interrupt request is generated. The ERS bit in SSR should be kept cleared to 0 until the next parity bit is sampled.
2. The TEND bit in SSR is not set for a frame in which an error signal indicating an abnormality is received. Data is retransferred from TDR to TSR, and retransmitted automatically.
3. If an error signal is not sent back from the receiving end, the ERS bit in SSR is not set. Transmission of one frame, including a retransfer, is judged to have been completed, and the TEND bit in SSR is set to 1. If the TIE bit in SCR is enabled at this time, a TXI interrupt request is generated. Writing transmit data to TDR transfers the next transmit data.

Figure 10.28 shows a flowchart for transmission. In a transmit operation, the TDRE flag is set to 1 at the same time as the TEND flag in SSR is set, and a TXI interrupt will be generated if the TIE bit in SCR has been set to 1. In the event of an error, the SCI retransmits the same data automatically. During this period, the TEND flag remains cleared to 0. Therefore, the SCI and DTC will automatically transmit the specified number of bytes in the event of an error, including retransmission. However, the ERS flag is not cleared automatically when an error occurs, and so the RIE bit should be set to 1 beforehand so that an ERI request will be generated in the event of an error, and the ERS flag will be cleared.

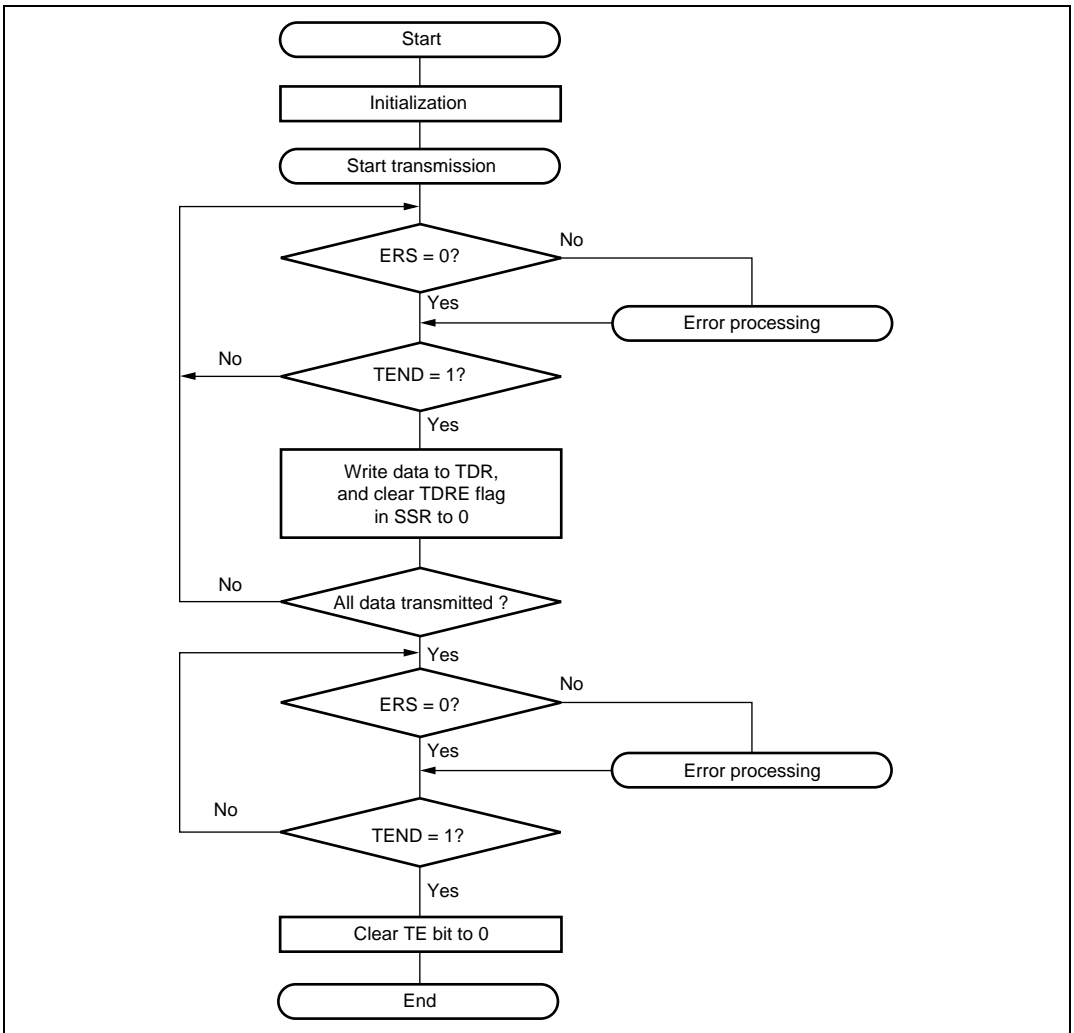


**Figure 10.26 Retransfer Operation in SCI Transmit Mode**

The timing for setting the TEND flag depends on the value of the GM bit in SMR. The TEND flag set timing is shown in Figure 10.27.



**Figure 10.27 TEND Flag Generation Timing in Transmission Operation**



**Figure 10.28 Example of Transmission Processing Flow**



### 10.7.7 Serial Data Reception (Except for Block Transfer Mode)

Data reception in Smart Card interface mode uses the same operation procedure as for normal serial communication interface mode. Figure 10.29 illustrates the retransfer operation when the SCI is in receive mode.

1. If an error is found when the received parity bit is checked, the PER bit in SSR is automatically set to 1. If the RIE bit in SCR is set at this time, an ERI interrupt request is generated. The PER bit in SSR should be kept cleared to 0 until the next parity bit is sampled.
2. The RDRF bit in SSR is not set for a frame in which an error has occurred.
3. If no error is found when the received parity bit is checked, the PER bit in SSR is not set to 1, the receive operation is judged to have been completed normally, and the RDRF flag in SSR is automatically set to 1. If the RIE bit in SCR is enabled at this time, an RXI interrupt request is generated.

Figure 10.30 shows a flowchart for reception. In a receive operation, an RXI interrupt request is generated when the RDRF flag in SSR is set to 1. If an error occurs in receive mode and the ORE or PER flag is set to 1, a transfer error interrupt (ERI) request will be generated. Hence, so the error flag must be cleared to 0. Even when a parity error occurs in receive mode and the PER flag is set to 1, the data that has been received is transferred to RDR and can be read from there.

Note: For details on receive operations in block transfer mode, see section 10.4, Operation in Asynchronous Mode.

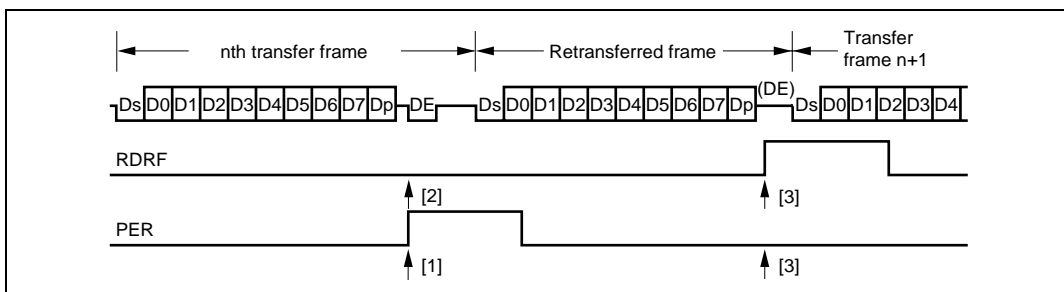
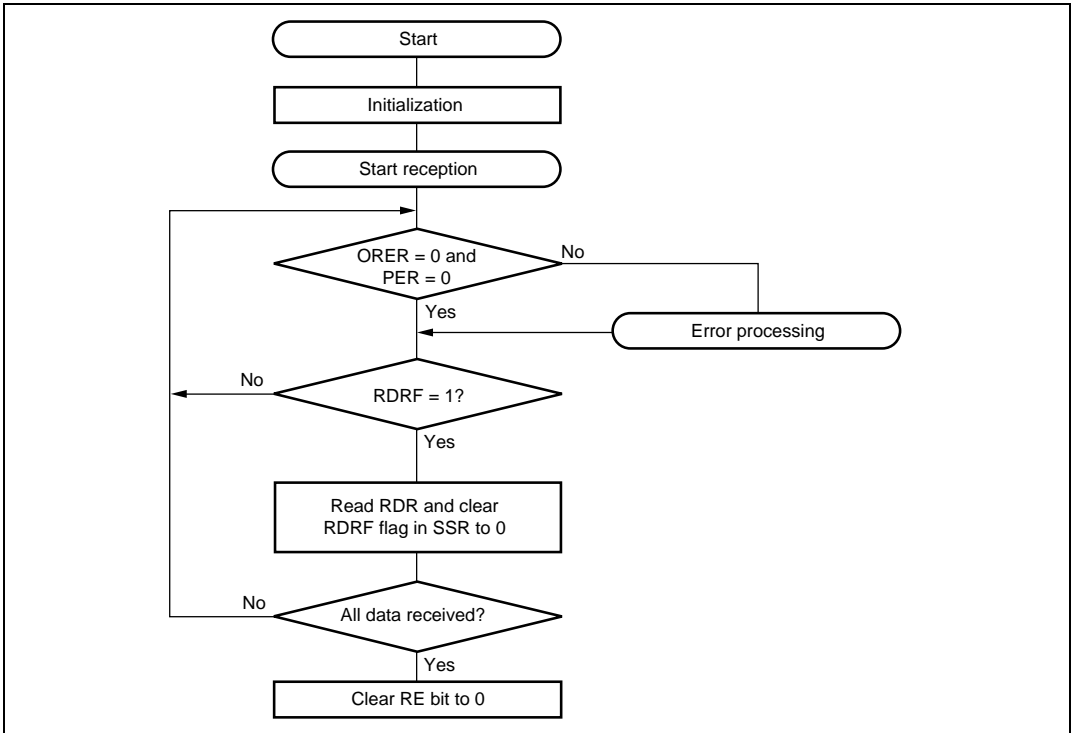


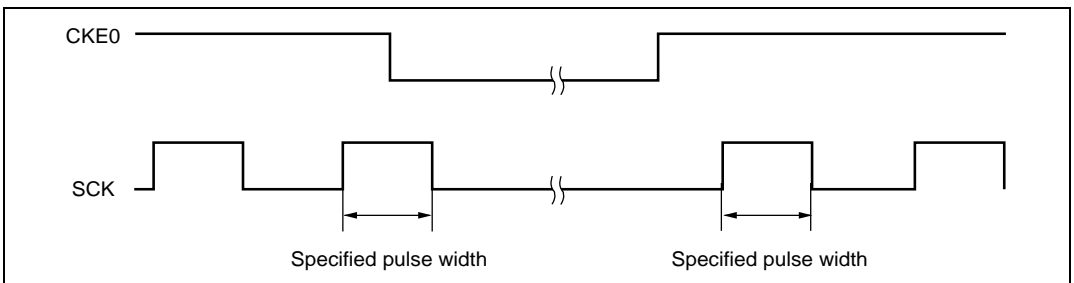
Figure 10.29 Retransfer Operation in SCI Receive Mode



**Figure 10.30 Example of Reception Processing Flow**

### 10.7.8 Clock Output Control

When the GM bit in SMR is set to 1, the clock output level can be fixed with bits CKE0 and CKE1 in SCR. At this time, the minimum clock pulse width can be made the specified width. Figure 10.31 shows the timing for fixing the clock output level. In this example, GM is set to 1, CKE1 is cleared to 0, and the CKE0 bit is controlled.



**Figure 10.31 Timing for Fixing Clock Output Level**

When turning on the power or switching between Smart Card interface mode and software standby mode, the following procedures should be followed in order to maintain the clock duty.

### Powering On:

To secure clock duty from power-on, the following switching procedure should be followed.

1. The initial state is port input and high impedance. Use a pull-up resistor or pull-down resistor to fix the potential.
2. Fix the SCK pin to the specified output level with the CKE1 bit in SCR.
3. Set SMR and SCMR, and switch to smart card mode operation.
4. Set the CKE0 bit in SCR to 1 to start clock output.

### When Changing from Smart Card Interface Mode to Software Standby Mode:

1. Set the data register (DR) and data direction register (DDR) corresponding to the SCK pin to the value for the fixed output state in software standby mode.
2. Write 0 to the TE bit and RE bit in the serial control register (SCR) to halt transmit/receive operation. At the same time, set the CKE1 bit to the value for the fixed output state in software standby mode.
3. Write 0 to the CKE0 bit in SCR to halt the clock.
4. Wait for one serial clock period.  
During this interval, clock output is fixed at the specified level, with the duty preserved.
5. Make the transition to the software standby state.

### When Returning to Smart Card Interface Mode from Software Standby Mode:

1. Exit the software standby state.
2. Write 1 to the CKE0 bit in SCR and output the clock. Signal generation is started with the normal duty.

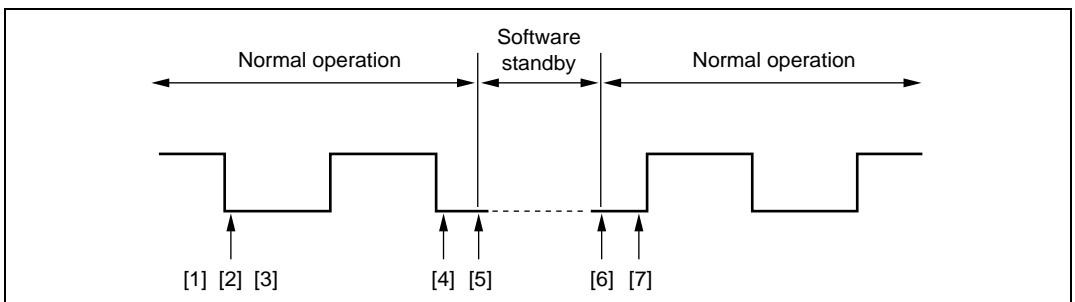


Figure 10.32 Clock Halt and Restart Procedure

## 10.8 Interrupts

### 10.8.1 Interrupts in Normal Serial Communication Interface Mode

Table 10.12 shows the interrupt sources in normal serial communication interface mode. A different interrupt vector is assigned to each interrupt source, and individual interrupt sources can be enabled or disabled using the enable bits in SCR.

When the TDRE flag in SSR is set to 1, a TXI interrupt request is generated. When the TEND flag in SSR is set to 1, a TEI interrupt request is generated.

When the RDRF flag in SSR is set to 1, an RXI interrupt request is generated. When the ORER, PER, or FER flag in SSR is set to 1, an ERI interrupt request is generated.

A TEI interrupt is requested when the TEND flag is set to 1 and the TEIE bit is set to 1. If a TEI interrupt and a TXI interrupt are requested simultaneously, the TXI interrupt has priority for acceptance. However, if the TDRE and TEND flags are cleared simultaneously by the TXI interrupt routine, the SCI cannot branch to the TEI interrupt routine later.

**Table 10.12 SCI Interrupt Sources**

Channel	Name	Interrupt Source	Interrupt Flag
0	ERI0	Receive Error	ORER, FER, PER
	RXI0	Receive Data Full	RDRF
	TXI0	Transmit Data Empty	TDRE
	TEI0	Transmission End	TEND
1	ERI1	Receive Error	ORER, FER, PER
	RXI1	Receive Data Full	RDRF
	TXI1	Transmit Data Empty	TDRE
	TEI1	Transmission End	TEND

## 10.8.2 Interrupts in Smart Card Interface Mode

Table 10.13 shows the interrupt sources in Smart Card interface mode. The transmit end interrupt (TEI) request cannot be used in this mode.

**Table 10.13 SCI Interrupt Sources**

Channel	Name	Interrupt Source	Interrupt Flag
0	ERI0	Receive Error, detection	ORER, PER, ERS
	RX10	Receive Data Full	RDRF
	TX10	Transmit Data Empty	TEND
1	ERI1	Receive Error, detection	ORER, PER, ERS
	RX11	Receive Data Full	RDRF
	TX11	Transmit Data Empty	TEND

In transmit operations, the TDRE flag is also set to 1 at the same time as the TEND flag in SSR is set, and a TXI interrupt is generated. In the event of an error, the SCI retransmits the same data automatically. During this period, the TEND flag remains cleared to 0. The ERS flag is not cleared automatically when an error occurs. Hence, the RIE bit should be set to 1 beforehand so that an ERI request will be generated in the event of an error, and the ERS flag will be cleared.

In receive operations, an RXI interrupt request is generated when the RDRF flag in SSR is set to 1. If an error occurs, an error flag is set but the RDRF flag is not. An ERI interrupt request is sent to the CPU. Therefore, the error flag should be cleared.

## 10.9 Usage Notes

### 10.9.1 Module Stop Mode Setting

SCI operation can be disabled or enabled using the module stop control register. The initial setting is for SCI operation to be halted. Register access is enabled by clearing module stop mode. For details, see section 20, Power-Down Modes.

### 10.9.2 Break Detection and Processing

When framing error detection is performed, a break can be detected by reading the RxD pin value directly. In a break, the input from the RxD pin becomes all 0s, setting the FER flag, and possibly the PER flag. Note that as the SCI continues the receive operation after receiving a break, even if the FER flag is cleared to 0, it will be set to 1 again.

### 10.9.3 Mark State and Break Detection

When TE is 0, the TxD pin is used as an I/O port whose direction (input or output) and level are determined by DR and DDR. This can be used to set the TxD pin to mark state (high level) or send a break during serial data transmission. To maintain the communication line at mark state until TE is set to 1, set both DDR and DR to 1. As TE is cleared to 0 at this point, the TxD pin becomes an I/O port, and 1 is output from the TxD pin. To send a break during serial transmission, first set DDR to 1 and DR to 0, and then clear TE to 0. When TE is cleared to 0, the transmitter is initialized regardless of the current transmission state, the TxD pin becomes an I/O port, and 0 is output from the TxD pin.

### 10.9.4 Receive Error Flags and Transmit Operations (Clocked Synchronous Mode Only)

Transmission cannot be started when a receive error flag (ORER, PER, or FER) is set to 1, even if the TDRE flag is cleared to 0. Be sure to clear the receive error flags to 0 before starting transmission. Note also that receive error flags cannot be cleared to 0 even if the RE bit is cleared to 0.

## 10.9.5 SCI Operations during Mode Transitions

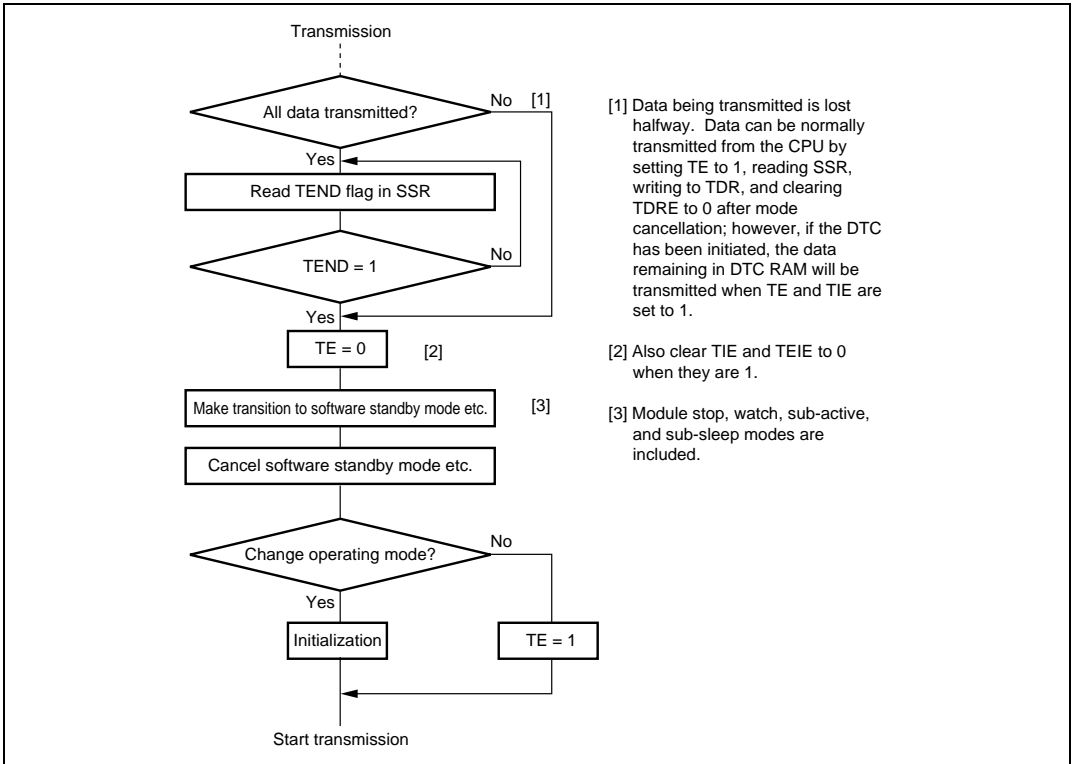
### Transmission

Before making the transition to module stop, software standby, watch, sub-active, or sub-sleep mode, stop all transmit operations ( $TE = TIE = TEIE = 0$ ). TSR, TDR, and SSR are reset. The states of the output pins during each mode depend on the port settings, and the pins output a high-level signal after mode is cancelled and then the TE is set to 1 again. If the transition is made during data transmission, the data being transmitted will be undefined.

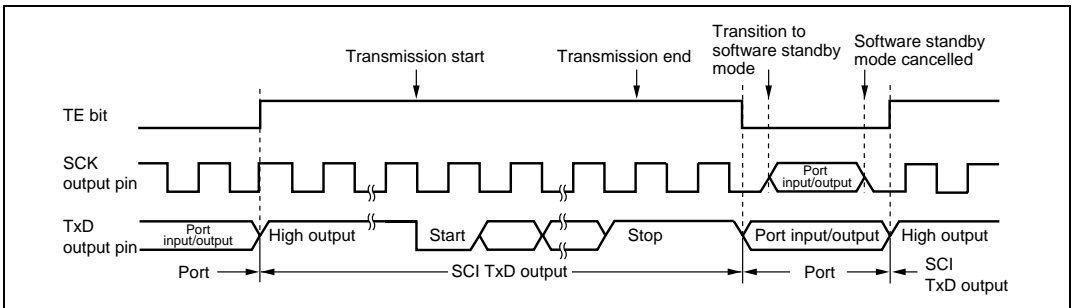
To transmit data in the same transmission mode after mode cancellation, set TE to 1, read SSR, write to TDR, clear TDRE in this order, and then start transmission. To transmit data in a different transmission mode, initialize the SCI first.

Figure 10.33 shows a sample flowchart for mode transition during transmission. Figures 10.34 and 10.35 show the pin states during transmission.

Before making the transition from the transmission mode using DTC transfer to module stop, software standby, watch, sub-active, or sub-sleep mode, stop all transmit operations ( $TE = TIE = TEIE = 0$ ). Setting TE and TIE to 1 after mode cancellation generates a TXI interrupt request to start transmission using the DTC.

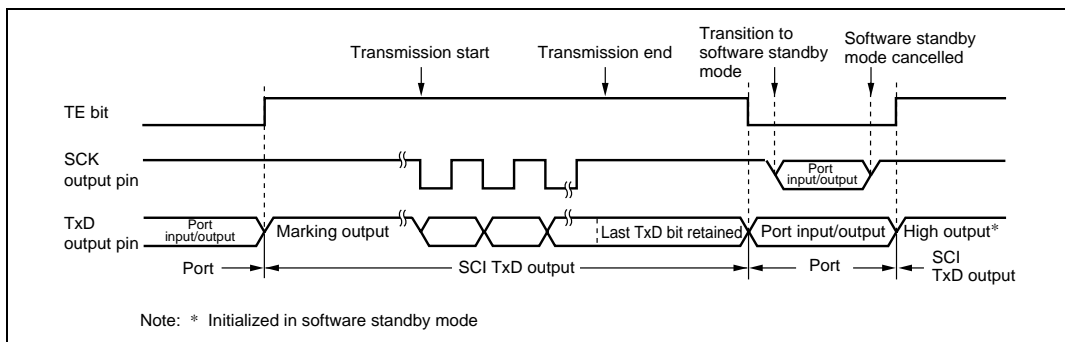


**Figure 10.33 Sample Flowchart for Mode Transition during Transmission**



**Figure 10.34 Pin States during Transmission in Asynchronous Mode (Internal Clock)**





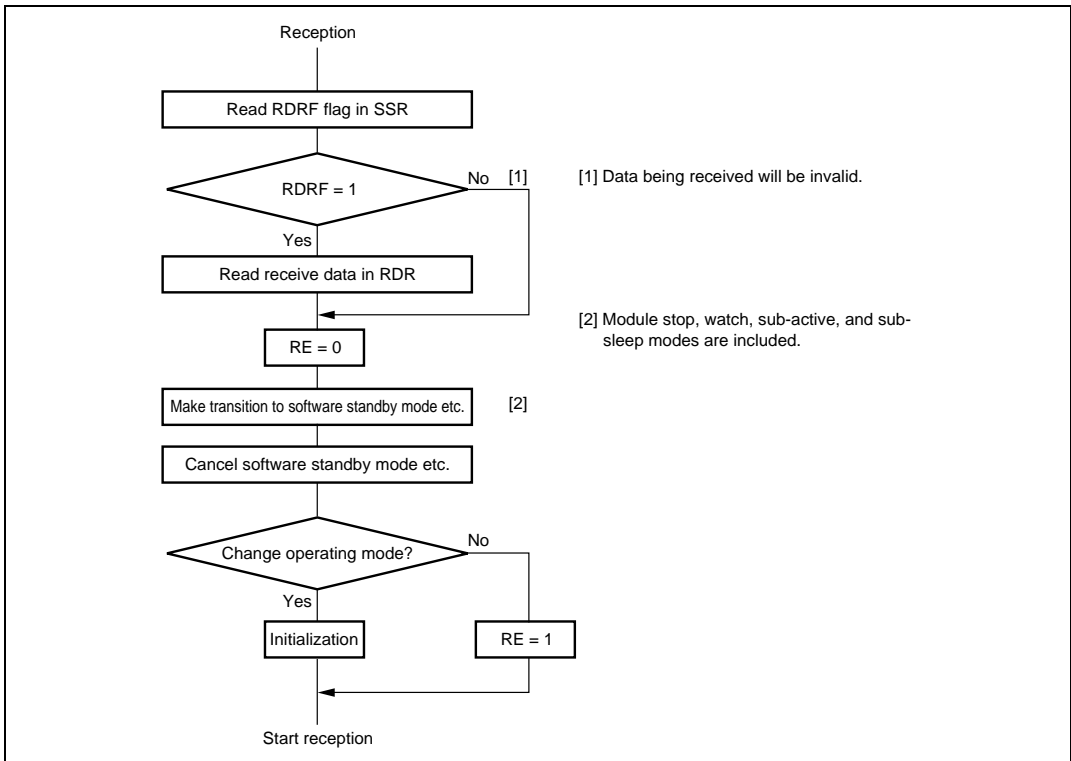
**Figure 10.35 Pin States during Transmission in Clocked Synchronous Mode (Internal Clock)**

## Reception

Before making the transition to module stop, software standby, watch, sub-active, or sub-sleep mode, stop reception ( $RE = 0$ ). RSR, RDR, and SSR are reset. If transition is made during data reception, the data being received will be invalid.

To receive data in the same reception mode after mode cancellation, set RE to 1, and then start reception. To receive data in a different reception mode, initialize the SCI first.

Figure 10.36 shows a sample flowchart for mode transition during reception.



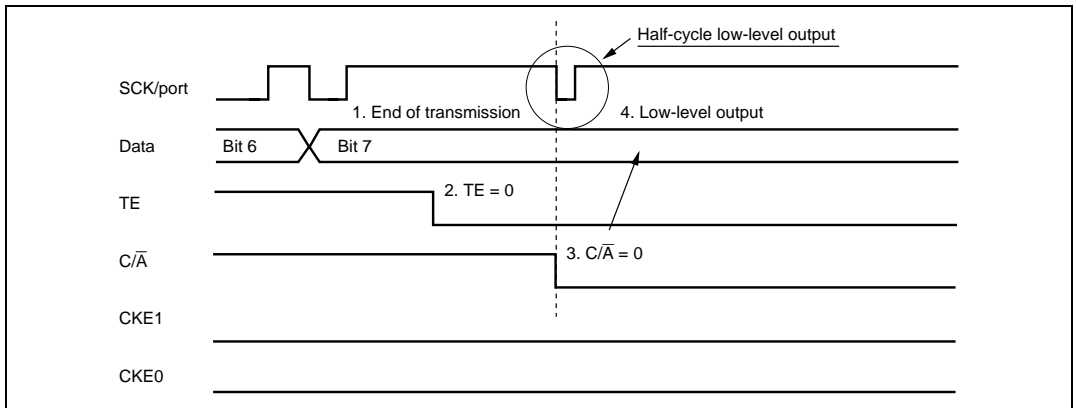
**Figure 10.36 Sample Flowchart for Mode Transition during Reception**

### 10.9.6 Notes when Switching from SCK Pin to Port Pin

- Problem in Operation: When DDR and DR are set to 1, SCI clock output is used in clocked synchronous mode, and the SCK pin is changed to the port pin while transmission is ended, port output is enabled after low-level output occurs for one half-cycle.

When switching the SCK pin to the port pin by making the following settings while  $DDR = 1$ ,  $DR = 1$ ,  $C/\bar{A} = 1$ ,  $CKE1 = 0$ ,  $CKE0 = 0$ , and  $TE = 1$ , low-level output occurs for one half-cycle.

1. End of serial data transmission
2.  $TE$  bit = 0
3.  $C/\bar{A}$  bit = 0 ... switchover to port output
4. Occurrence of low-level output (see figure 10.37)



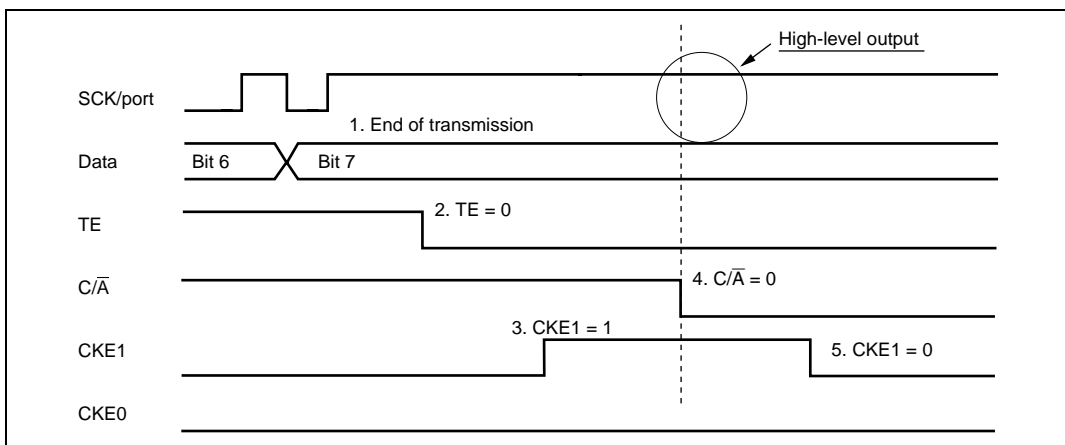
**Figure 10.37 Operation when Switching from SCK Pin to Port Pin**

- Usage Note: To prevent low-level output occurred when switching the SCK pin to port pin, follow the procedure described below.

As this sample procedure temporarily places the SCK pin in the input state, the SCK/port pin should be pulled up beforehand with an external circuit.

With  $DDR = 1$ ,  $DR = 1$ ,  $C/\bar{A} = 1$ ,  $CKE1 = 0$ ,  $CKE0 = 0$ , and  $TE = 1$ , make the following settings in the order shown.

1. End of serial data transmission
2. TE bit = 0
3.  $CKE1$  bit = 1
4.  $C/\bar{A}$  bit = 0 ... switchover to port output
5.  $CKE1$  bit = 0



**Figure 10.38 Operation when Switching from SCK Pin to Port Pin  
(Example of Preventing Low-Level Output)**

# Section 11 Controller Area Network (HCAN) [H8S/2282 Group Only]

The HCAN is a module for controlling a controller area network (CAN) for realtime communication in vehicular and industrial equipment systems, etc. For details on CAN specification, see Bosch CAN Specification Version 2.0 1991, Robert Bosch GmbH.

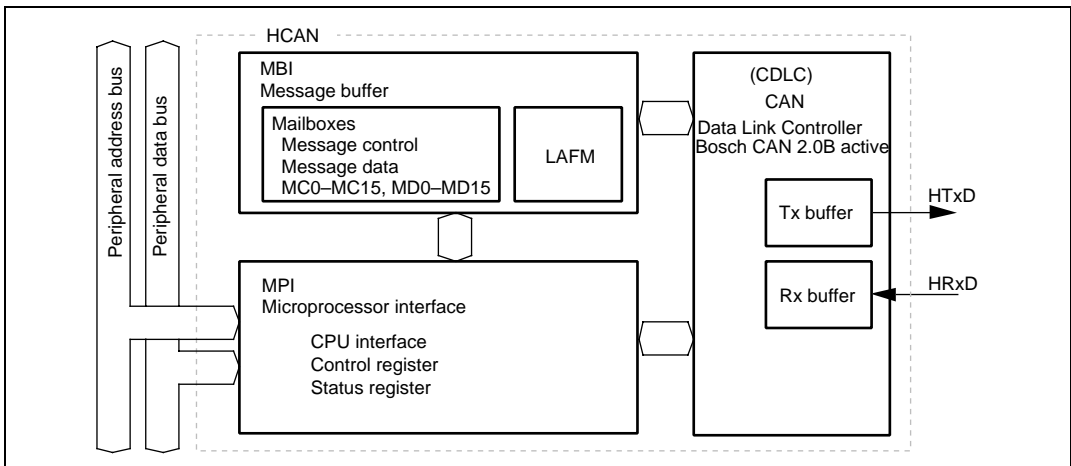
The block diagram of the HCAN is shown in figure 11.1.

Note: This function is not implemented in the H8S/2280 Group.

## 11.1 Features

- CAN version: Bosch 2.0B active compatible
  - Communication systems: NRZ (Non-Return to Zero) system (with bit-stuffing function)
  - Broadcast communication system
  - Transmission path: Bidirectional 2-wire serial communication
  - Communication speed: Max. 1 Mbps
  - Data length: 0 to 8 bytes
- Number of channels: 1
- Data buffers: 16 (one receive-only buffer and 15 buffers settable for transmission/reception)
- Data transmission: Two methods
  - Mailbox (buffer) number order (low-to-high)
  - Message priority (identifier) reverse-order (high-to-low)
- Data reception: Two methods
  - Message identifier match (transmit/receive-setting buffers)
  - Reception with message identifier masked (receive-only)
- CPU interrupts: 12
  - Error interrupt
  - Reset processing interrupt
  - Message reception interrupt
  - Message transmission interrupt
- HCAN operating modes
- Support for various modes
  - Hardware reset
  - Software reset

- Normal status (error-active, error-passive)
- Bus off status
- HCAN configuration mode
- HCAN sleep mode
- HCAN halt mode
- Module stop mode can be set



**Figure 11.1 HCAN Block Diagram**

- **Message Buffer Interface (MBI)**  
The MBI, consisting of mailboxes and a local acceptance filter mask (LAFM), stores CAN transmit/received messages (identifiers, data, etc.) Transmit messages are written by the CPU. For received messages, the data received by the CDLC is stored automatically.
- **Microprocessor Interface (MPI)**  
The MPI, consisting of a bus interface, control register, status register, etc., controls HCAN internal data, status, and so forth.
- **CAN Data Link Controller (CDLC)**  
The CDLC transmits and receives of messages conforming to the Bosch CAN Ver. 2.0B active standard (data frames, remote frames, error frames, overload frames, inter-frame spacing), as well as CRC checking, bus arbitration, and other functions.

## 11.2 Input/Output Pins

Table 11.1 shows the HCAN's pins.

When using HCAN pins, settings must be made in the HCAN configuration mode (during initialization: MCR0 = 1 and GSR3 = 1).

**Table 11.1 Pin Configuration**

Name	Abbreviation	Input/Output	Function
HCAN transmit data pin	HTxD	Output	CAN bus transmission pin
HCAN receive data pin	HRxD	Input	CAN bus reception pin

A bus driver is necessary for the interface between the pins and the CAN bus. A Philips PCA82C250 compatible model is recommended.

## 11.3 Register Descriptions

The HCAN has the following registers.

- Master control register (MCR)
- General status register (GSR)
- Bit configuration register (BCR)
- Mailbox configuration register (MBCR)
- Transmit wait register (TXPR)
- Transmit wait cancel register (TXCR)
- Transmit acknowledge register (TXACK)
- Abort acknowledge register (ABACK)
- Receive complete register (RXPR)
- Remote request register (RFPR)
- Interrupt register (IRR)
- Mailbox interrupt mask register (MBIMR)
- Interrupt mask register (IMR)
- Receive error counter (REC)
- Transmit error counter (TEC)
- Unread message status register (UMSR)
- Local acceptance filter mask H (LAFMH)

- Local acceptance filter mask L (LAFML)
- Message control (8-bit × 8 registers × 16 sets) (MC0 to MC15)
- Message data (8-bit × 8 registers × 16 sets) (MD0 to MD15)

### 11.3.1 Master Control Register (MCR)

MCR controls the HCAN.

Bit	Bit Name	Initial Value	R/W	Description
7	MCR7	0	R/W	HCAN Sleep Mode Release When this bit is set to 1, the HCAN automatically exits HCAN sleep mode on detection of CAN bus operation.
6	—	0	R	Reserved This bit is always read as 0. The write value should always be 0.
5	MCR5	0	R/W	HCAN Sleep Mode When this bit is set to 1, the HCAN transits to HCAN sleep mode. When this bit is cleared to 0, HCAN sleep mode is released.
4, 3	—	All 0	R	Reserved These bits are always read as 0. The write value should always be 0.
2	MCR2	0	R/W	Message Transmission Method 0: Transmission order determined by message identifier priority 1: Transmission order determined by mailbox (buffer) number priority (TXPR1 > TXPR15)
1	MCR1	0	R/W	Halt Request When this bit is set to 1, the HCAN transits to HCAN HALT mode. When this bit is cleared to 0, HCAN HALT mode is released.



Bit	Bit Name	Initial Value	R/W	Description
0	MCR0	1	R/W	<p>Reset Request</p> <p>When this bit is set to 1, the HCAN transits to reset mode. For details, see section 11.4.1, Hardware and Software Resets.</p> <p>[Setting conditions]</p> <ul style="list-style-type: none"> <li>• Power-on reset</li> <li>• Hardware standby</li> <li>• Software standby</li> <li>• 1-write (software reset)</li> </ul> <p>[Clearing condition]</p> <ul style="list-style-type: none"> <li>• When 0 is written to this bit while the GSR3 bit in GSR is 1</li> </ul>

### 11.3.2 General Status Register (GSR)

GSR indicates the status of the CAN bus.

Bit	Bit Name	Initial Value	R/W	Description
7 to 4	—	All 0	R	<p>Reserved</p> <p>These bits are always read as 0. The write value should always be 0.</p>
3	GSR3	1	R	<p>Reset Status Bit</p> <p>Indicates whether the HCAN module is in the normal operating state or the reset state. This bit cannot be modified.</p> <p>[Setting conditions]</p> <ul style="list-style-type: none"> <li>• When entering configuration mode after the HCAN internal reset has finished</li> <li>• Sleep mode</li> </ul> <p>[Clearing condition]</p> <ul style="list-style-type: none"> <li>• When entering normal operation mode after the MCR0 bit in MCR is cleared to 0 (Note that there is a delay between clearing of the MCR0 bit and the GSR3 bit.)</li> </ul>

Bit	Bit Name	Initial Value	R/W	Description
2	GSR2	1	R	<p>Message Transmission Status Flag</p> <p>Flag that indicates whether the module is currently in the message transmission period. This bit cannot be modified.</p> <p>[Setting condition]</p> <ul style="list-style-type: none"><li>• Third bit of Intermission after EOF(END of Frame)</li></ul> <p>[Clearing condition]</p> <ul style="list-style-type: none"><li>• Start of message transmission (SOF)</li></ul>
1	GSR1	0	R	<p>Transmit/Receive Warning Flag</p> <p>This bit cannot be modified.</p> <p>[Setting condition]</p> <ul style="list-style-type: none"><li>• When <math>TEC \geq 96</math> or <math>REC \geq 96</math></li></ul> <p>[Clearing condition]</p> <ul style="list-style-type: none"><li>• When <math>TEC &lt; 96</math> and <math>REC &lt; 96</math> or <math>TEC \geq 256</math></li></ul>
0	GSR0	0	R	<p>Bus Off Flag</p> <p>This bit cannot be modified.</p> <p>[Setting condition]</p> <ul style="list-style-type: none"><li>• When <math>TEC \geq 256</math> (bus off state)</li></ul> <p>[Clearing condition]</p> <ul style="list-style-type: none"><li>• Recovery from bus off state</li></ul>

### 11.3.3 Bit Configuration Register (BCR)

BCR that is used to set HCAN bit timing parameters and the baud rate prescaler. For details on parameters, see section 11.4.2, Initialization after Hardware Reset.

Bit	Bit Name	Initial Value	R/W	Description
15	BCR7	0	R/W	Re-Synchronization Jump Width (SJW)
14	BCR6	0	R/W	Set the maximum bit synchronization width. 00: 1 time quantum 01: 2 time quanta 10: 3 time quanta 11: 4 time quanta
13	BCR5	0	R/W	Baud Rate Prescaler (BRP)
12	BCR4	0	R/W	Set the length of time quanta.
11	BCR3	0	R/W	000000: $2 \times$ system clock
10	BCR2	0	R/W	000001: $4 \times$ system clock
9	BCR1	0	R/W	000010: $6 \times$ system clock
8	BCR0	0	R/W	: 111111: $128 \times$ system clock
7	BCR15	0	R/W	Bit Sample Point (BSP) Sets the point at which data is sampled. 0: Bit sampling at one point (end of time segment 1 (TSEG1)) 1: Bit sampling at three points (end of TSEG1 and preceding and following time quanta)

Bit	Bit Name	Initial Value	R/W	Description
6	BCR14	0	R/W	Time Segment 2 (TSEG2)
5	BCR13	0	R/W	Set the TSEG2 width within a range of 2 to 8 time quanta.
4	BCR12	0	R/W	000: Setting prohibited 001: 2 time quanta 010: 3 time quanta 011: 4 time quanta 100: 5 time quanta 101: 6 time quanta 110: 7 time quanta 111: 8 time quanta
3	BCR11	0	R/W	Time Segment 1 (TSEG1)
2	BCR10	0	R/W	Set the TSEG1 (PRSEG + PHSEG1) width to between 4 and 16 time quanta.
1	BCR9	0	R/W	0000: Setting prohibited
0	BCR8	0	R/W	0001: Setting prohibited 0010: Setting prohibited 0011: 4 time quanta 0100: 5 time quanta 0101: 6 time quanta 0110: 7 time quanta 0111: 8 time quanta 1000: 9 time quanta 1001: 10 time quanta 1010: 11 time quanta 1011: 12 time quanta 1100: 13 time quanta 1101: 14 time quanta 1110: 15 time quanta 1111: 16 time quanta

### 11.3.4 Mailbox Configuration Register (MBCR)

MBCR is used to set the transfer direction for each mailbox.

Bit	Bit Name	Initial Value	R/W	Description
15	MBCR7	0	R/W	These bits set the transfer direction for the corresponding mailboxes from 1 to 15. MBCRn determines the transfer direction for mailbox n (n =1 to 15).
14	MBCR6	0	R/W	
13	MBCR5	0	R/W	0: Corresponding mailbox is set for transmission 1: Corresponding mailbox is set for reception
12	MBCR4	0	R/W	
11	MBCR3	0	R/W	Bit 8 is reserved. This bit is always read as 1 and the write value should always be 1.
10	MBCR2	0	R/W	
9	MBCR1	0	R/W	—
8	—	1	R	
7	MBCR15	0	R/W	—
6	MBCR14	0	R/W	
5	MBCR13	0	R/W	—
4	MBCR12	0	R/W	
3	MBCR11	0	R/W	—
2	MBCR10	0	R/W	
1	MBCR9	0	R/W	—
0	MBCR8	0	R/W	

### 11.3.5 Transmit Wait Register (TXPR)

TXPR is used to set a transmit wait after a transmit message is stored in a mailbox (buffer) (CAN bus arbitration wait).

Bit	Bit Name	Initial Value	R/W	Description
15	TXPR7	0	R/W	These bits set a transmit wait (CAN bus arbitration wait) for the corresponding mailboxes 1 to 15. When TXPR <sub>n</sub> (n = 1 to 15) is set to 1, the message in mailbox n becomes the transmit wait state.
14	TXPR6	0	R/W	
13	TXPR5	0	R/W	[Clearing conditions]
12	TXPR4	0	R/W	
11	TXPR3	0	R/W	<ul style="list-style-type: none"> <li>• Completion of message transmission</li> <li>• Completion of transmission cancellation</li> </ul>
10	TXPR2	0	R/W	
9	TXPR1	0	R/W	Bit 8 is reserved. This bit is always read as 1 and the write value should always be 1.
8	—	0	R	
7	TXPR15	0	R/W	
6	TXPR14	0	R/W	
5	TXPR13	0	R/W	
4	TXPR12	0	R/W	
3	TXPR11	0	R/W	
2	TXPR10	0	R/W	
1	TXPR9	0	R/W	
0	TXPR8	0	R/W	

### 11.3.6 Transmit Wait Cancel Register (TXCR)

TXCR controls the cancellation of transmit wait messages in mailboxes (buffers).

Bit	Bit Name	Initial Value	R/W	Description
15	TXCR7	0	R/W	These bits cancel the transmit wait message in the corresponding mailboxes 1 to 15. When TXCRn (n = 1 to 15) is set to 1, the transmit wait message in mailbox n is canceled.
14	TXCR6	0	R/W	
13	TXCR5	0	R/W	[Clearing condition]
12	TXCR4	0	R/W	
11	TXCR3	0	R/W	<ul style="list-style-type: none"> <li>Completion of TXPR clearing when transmit message is canceled normally</li> </ul>
10	TXCR2	0	R/W	
9	TXCR1	0	R/W	Bit 8 is reserved. This bit is always read as 0 and the write value should always be 0.
8	—	0	R	
7	TXCR15	0	R/W	
6	TXCR14	0	R/W	
5	TXCR13	0	R/W	
4	TXCR12	0	R/W	
3	TXCR11	0	R/W	
2	TXCR10	0	R/W	
1	TXCR9	0	R/W	
0	TXCR8	0	R/W	

### 11.3.7 Transmit Acknowledge Register (TXACK)

TXACK contains status flags that indicate the normal transmission of mailbox (buffer) transmit messages.

Bit	Bit Name	Initial Value	R/W	Description
15	TXACK7	0	R/(W)*	These bits are status flags that indicate error-free transmission of the transmit message in the corresponding mailboxes 1 to 15. When the message in mailbox n (n = 1 to 15) has been transmitted error-free, TXACKn is set to 1.
14	TXACK6	0	R/(W)*	
13	TXACK5	0	R/(W)*	
12	TXACK4	0	R/(W)*	
11	TXACK3	0	R/(W)*	
10	TXACK2	0	R/(W)*	
9	TXACK1	0	R/(W)*	
8	—	0	R	
7	TXACK15	0	R/(W)*	
6	TXACK14	0	R/(W)*	
5	TXACK13	0	R/(W)*	
4	TXACK12	0	R/(W)*	
3	TXACK11	0	R/(W)*	
2	TXACK10	0	R/(W)*	
1	TXACK9	0	R/(W)*	
0	TXACK	0	R/(W)*	

Note: \* Only 0 for clearing the flag can be written.



### 11.3.8 Abort Acknowledge Register (ABACK)

ABACK contains status flags that indicate the normal cancellation (aborting) of mailbox (buffer) transmit messages.

Bit	Bit Name	Initial Value	R/W	Description	
15	ABACK7	0	R/(W)*	These bits are status flags that indicate error-free cancellation (abortion) of the transmit message in the corresponding mailboxes 1 to 15. When the message in mailbox n (n = 1 to 15) has been canceled error-free, ABACKn is set to 1. [Setting condition]	
14	ABACK6	0	R/(W)*		
13	ABACK5	0	R/(W)*		
12	ABACK4	0	R/(W)*		
11	ABACK3	0	R/(W)*		
10	ABACK2	0	R/(W)*		• Completion of transmit message cancellation for corresponding mailbox
9	ABACK1	0	R/(W)*		[Clearing condition]
8	—	0	R		• Writing 1
7	ABACK15	0	R/(W)*		Bit 8 is reserved. This bit is always read as 0. The write value should always be 0.
6	ABACK14	0	R/(W)*		
5	ABACK13	0	R/(W)*		
4	ABACK12	0	R/(W)*		
3	ABACK11	0	R/(W)*		
2	ABACK10	0	R/(W)*		
1	ABACK9	0	R/(W)*		
0	ABACK8	0	R/(W)*		

Note: \* Only 0 for clearing the flag can be written.

### 11.3.9 Receive Complete Register (RXPR)

RXPR contains status flags that indicate the normal reception of messages in mailboxes (buffers). For reception of a remote frame, when a bit in this register is set to 1, the corresponding remote request register (RFPR) bit is also set to 1 simultaneously.

Bit	Bit Name	Initial Value	R/W	Description
15	RXPR7	0	R/(W)*	When the message in mailbox n (n = 0 to 15) has been received error-free, RXPRn is set to 1.
14	RXPR6	0	R/(W)*	
13	RXPR5	0	R/(W)*	[Setting condition]
12	RXPR4	0	R/(W)*	<ul style="list-style-type: none"> <li>Completion of message (data frame or remote frame) reception in corresponding mailbox</li> </ul>
11	RXPR3	0	R/(W)*	
10	RXPR2	0	R/(W)*	[Clearing condition]
9	RXPR1	0	R/(W)*	<ul style="list-style-type: none"> <li>Writing 1</li> </ul>
8	RXPR0	0	R/(W)*	
7	RXPR15	0	R/(W)*	
6	RXPR14	0	R/(W)*	
5	RXPR13	0	R/(W)*	
4	RXPR12	0	R/(W)*	
3	RXPR11	0	R/(W)*	
2	RXPR10	0	R/(W)*	
1	RXPR9	0	R/(W)*	
0	RXPR8	0	R/(W)*	

Note: \* Only 0 for clearing the flag can be written.

### 11.3.10 Remote Request Register (RFPR)

RFPR contains status flags that indicate normal reception of remote frames in mailboxes (buffers). When a bit in this register is set to 1, the corresponding receive complete register (RXPR) bit is also set to 1 simultaneously.

Bit	Bit Name	Initial Value	R/W	Description
15	RFPR7	0	R/(W)*	When mailbox n (n = 0 to 15) has received the remote frame error-free, ABACKn (n = 0 to 15) is set to 1.
14	RFPR6	0	R/(W)*	
13	RFPR5	0	R/(W)*	[Setting condition]
12	RFPR4	0	R/(W)*	<ul style="list-style-type: none"> <li>Completion of remote frame reception in corresponding mailbox</li> </ul>
11	RFPR3	0	R/(W)*	
10	RFPR2	0	R/(W)*	[Clearing condition]
9	RFPR1	0	R/(W)*	<ul style="list-style-type: none"> <li>Writing 1</li> </ul>
8	RFPR0	0	R/(W)*	
7	RFPR15	0	R/(W)*	
6	RFPR14	0	R/(W)*	
5	RFPR13	0	R/(W)*	
4	RFPR12	0	R/(W)*	
3	RFPR11	0	R/(W)*	
2	RFPR10	0	R/(W)*	
1	RFPR9	0	R/(W)*	
0	RFPR8	0	R/(W)*	

Note: \* Only 0 for clearing the flag can be written.

### 11.3.11 Interrupt Register (IRR)

IRR is an interrupt status flag register.

Bit	Bit Name	Initial Value	R/W	Description
15	IRR7	0	R/(W)*	Overload Frame Interrupt Flag [Setting condition] <ul style="list-style-type: none"> <li>When an overload frame is transmitted in error active/passive state</li> </ul> [Clearing condition] <ul style="list-style-type: none"> <li>Writing 1</li> </ul>
14	IRR6	0	R/(W)*	Bus Off Interrupt Flag Status flag indicating the bus off state caused by the transmit error counter. [Setting condition] <ul style="list-style-type: none"> <li>When <math>TEC \geq 256</math></li> </ul> [Clearing condition] <ul style="list-style-type: none"> <li>Writing 1</li> </ul>
13	IRR5	0	R/(W)*	Error Passive Interrupt Flag Status flag indicating the error passive state caused by the transmit/receive error counter. [Setting condition] <ul style="list-style-type: none"> <li>When <math>TEC \geq 128</math> or <math>REC \geq 128</math></li> </ul> [Clearing condition] <ul style="list-style-type: none"> <li>Writing 1</li> </ul>
12	IRR4	0	R/(W)*	Receive Overload Warning Interrupt Flag Status flag indicating the error warning state caused by the receive error counter. [Setting condition] <ul style="list-style-type: none"> <li>When <math>REC \geq 96</math></li> </ul> [Clearing condition] <ul style="list-style-type: none"> <li>Writing 1</li> </ul>

Bit	Bit Name	Initial Value	R/W	Description
11	IRR3	0	R/(W)*	<p>Transmit Overload Warning Interrupt Flag</p> <p>Status flag indicating the error warning state caused by the transmit error counter.</p> <p>[Setting condition]</p> <ul style="list-style-type: none"> <li>When <math>TEC \geq 96</math></li> </ul> <p>[Clearing condition]</p> <ul style="list-style-type: none"> <li>Writing 1</li> </ul>
10	IRR2	0	R	<p>Remote Frame Request Interrupt Flag</p> <p>Status flag indicating that a remote frame has been received in a mailbox (buffer).</p> <p>[Setting condition]</p> <ul style="list-style-type: none"> <li>When remote frame reception is completed, when corresponding MBIMR = 0</li> </ul> <p>[Clearing condition]</p> <ul style="list-style-type: none"> <li>Clearing of all bits in RFPR (remote request register)</li> </ul>
9	IRR1	0	R	<p>Received message Interrupt Flag</p> <p>Status flag indicating that a mailbox (buffer) received message has been received normally.</p> <p>[Setting condition]</p> <ul style="list-style-type: none"> <li>When data frame or remote frame reception is completed, when corresponding MBIMR = 0</li> </ul> <p>[Clearing condition]</p> <ul style="list-style-type: none"> <li>Clearing of all bits in RXPR (receive complete register)</li> </ul>

Bit	Bit Name	Initial Value	R/W	Description
8	IRR0	1	R/(W)*	<p>Reset Interrupt Flag</p> <p>Status flag indicating that the HCAN module has been reset. This bit cannot be masked by the interrupt mask register (IMR). If this bit is not cleared to 0 after entering power-on reset or returning from software standby mode, interrupt processing will start immediately when the interrupt controller enables interrupts.</p> <p>[Setting condition]</p> <ul style="list-style-type: none"> <li>When the reset operation has finished after entering power-on reset or software standby mode</li> </ul> <p>[Clearing condition]</p> <ul style="list-style-type: none"> <li>Writing 1</li> </ul>
7 to 5	—	All 0	—	<p>Reserved</p> <p>These bits are always read as 0. The write value should always be 0.</p>
4	IRR12	0	R/(W)*	<p>Bus Operation Interrupt Flag</p> <p>Status flag indicating detection of a dominant bit due to bus operation when the HCAN module is in HCAN sleep mode.</p> <p>[Setting condition]</p> <ul style="list-style-type: none"> <li>Bus operation (dominant bit) detection in HCAN sleep mode</li> </ul> <p>[Clearing condition]</p> <ul style="list-style-type: none"> <li>Writing 1</li> </ul>
3, 2	—	All 0	—	<p>Reserved</p> <p>These bits are always read as 0. The write value should always be 0.</p>

Bit	Bit Name	Initial Value	R/W	Description
1	IRR9	0	R	<p>Unread Interrupt Flag</p> <p>Status flag indicating that a received message has been overwritten before being read.</p> <p>[Setting condition]</p> <ul style="list-style-type: none"> <li>When UMSR (unread message status register) is set</li> </ul> <p>[Clearing condition]</p> <ul style="list-style-type: none"> <li>Clearing of all bits in UMSR (unread message status register)</li> </ul>
0	IRR8	0	R/(W)*	<p>Mailbox Empty Interrupt Flag</p> <p>Status flag indicating that the next transmit message can be stored in the mailbox.</p> <p>[Setting condition]</p> <ul style="list-style-type: none"> <li>When TXPR (transmit wait register) is cleared by completion of transmission or completion of transmission abort</li> </ul> <p>[Clearing condition]</p> <ul style="list-style-type: none"> <li>Writing 1</li> </ul>

Note: \* Only 0 for clearing the flag can be written.

### 11.3.12 Mailbox Interrupt Mask Register (MBIMR)

MBIMR controls the enabling or disabling of individual mailbox (buffer) interrupt requests.

Bit	Bit Name	Initial Value	R/W	Description
15	MBIMR7	0	R/W	Mailbox Interrupt Mask (MBIMRx)
14	MBIMR6	0	R/W	When MBIMRn (n = 0 to 15) is cleared to 0, the interrupt request in mailbox n is enabled. When set to 1, the interrupt request is masked.
13	MBIMR5	0	R/W	
12	MBIMR4	0	R/W	The interrupt source in a transmit mailbox is TXPR clearing caused by transmission end or transmission cancellation. The interrupt source in a receive mailbox is RXPR setting on reception end.
11	MBIMR3	0	R/W	
10	MBIMR2	0	R/W	
9	MBIMR1	0	R/W	
8	MBIMR0	0	R/W	
7	MBIMR15	0	R/W	
6	MBIMR14	0	R/W	
5	MBIMR13	0	R/W	
4	MBIMR12	0	R/W	
3	MBIMR11	0	R/W	
2	MBIMR10	0	R/W	
1	MBIMR9	0	R/W	
0	MBIMR8	0	R/W	



### 11.3.13 Interrupt Mask Register (IMR)

IMR contains flags that enable or disable requests by individual interrupt sources. The interrupt flag cannot be masked.

Bit	Bit Name	Initial Value	R/W	Description
15	IMR7	1	R/W	Overload Frame Interrupt Mask When this bit is cleared to 0, OVR0 (interrupt request by IRR7) is enabled. When set to 1, OVR0 is masked.
14	IMR6	1	R/W	Bus Off Interrupt Mask When this bit is cleared to 0, ERS0 (interrupt request by IRR6) is enabled. When set to 1, ERS0 is masked.
13	IMR5	1	R/W	Error Passive Interrupt Mask When this bit is cleared to 0, ERS0 (interrupt request by IRR5) is enabled. When set to 1, ERS0 is masked.
12	IMR4	1	R/W	Receive Overload Warning Interrupt Mask When this bit is cleared to 0, OVR0 (interrupt request by IRR4) is enabled. When set to 1, OVR0 is masked.
11	IMR3	1	R/W	Transmit Overload Warning Interrupt Mask When this bit is cleared to 0, OVR0 (interrupt request by IRR3) is enabled. When set to 1, OVR0 is masked.
10	IMR2	1	R/W	Remote Frame Request Interrupt Mask When this bit is cleared to 0, OVR0 (interrupt request by IRR2) is enabled. When set to 1, OVR0 is masked.
9	IMR1	1	R/W	Received message Interrupt Mask When this bit is cleared to 0, RM1 (interrupt request by IRR1) is enabled. When set to 1, RMI is masked.
8	—	0	R	Reserved This bit is always read as 0. Only 0 should be written to this bit.
7 to 5	—	All 1	R	Reserved These bits are always read as 1. The write value should always be 0.

Bit	Bit Name	Initial Value	R/W	Description
4	IMR12	1	R/W	Bus Operation Interrupt Mask When this bit is cleared to 0, OVR0 (interrupt request by IRR12) is enabled. When set to 1, OVR0 is masked.
3, 2	—	All 1	R	Reserved These bits are always read as 1. The write value should always be 0.
1	IMR9	1	R/W	Unread Interrupt Mask When this bit is cleared to 0, OVR0 (interrupt request by IRR9) is enabled. When set to 1, OVR0 is masked.
0	IMR8	1	R/W	Mailbox Empty Interrupt Mask When this bit is cleared to 0, SLE0 (interrupt request by IRR8) is enabled. When set to 1, SLE0 is masked.

#### 11.3.14 Receive Error Counter (REC)

REC is an 8-bit read-only register that functions as a counter indicating the number of received message errors on the CAN bus. The count value is stipulated in the CAN protocol.

#### 11.3.15 Transmit Error Counter (TEC)

TEC is an 8-bit read-only register that functions as a counter indicating the number of transmit message errors on the CAN bus. The count value is stipulated in the CAN protocol.

### 11.3.16 Unread Message Status Register (UMSR)

UMSR contains status flags that indicate, for individual mailboxes (buffers), that a received message has been overwritten by a new received message before being read. When overwritten by a new message, data in the unread received message is lost.

Bit	Bit Name	Initial Value	R/W	Description
15	UMSR7	0	R/(W)*	[Setting condition]
14	UMSR6	0	R/(W)*	• When a new message is received before RXPR is cleared
13	UMSR5	0	R/(W)*	
12	UMSR4	0	R/(W)*	[Clearing condition]
11	UMSR3	0	R/(W)*	• Writing 1
10	UMSR2	0	R/(W)*	
9	UMSR1	0	R/(W)*	
8	UMSR0	0	R/(W)*	
7	UMSR15	0	R/(W)*	
6	UMSR14	0	R/(W)*	
5	UMSR13	0	R/(W)*	
4	UMSR12	0	R/(W)*	
3	UMSR11	0	R/(W)*	
2	UMSR10	0	R/(W)*	
1	UMSR9	0	R/(W)*	
0	UMSR8	0	R/(W)*	

Note: \* Only 1 is writable to clear the flag.

### 11.3.17 Local Acceptance Filter Masks (LAFML, LAFMH)

LAFML and LAFMH individually set the identifier bits of the message to be stored in mailbox 0 as Don't Care. For details, see section 11.4.4, Message Reception. The relationship between the identifier bits and mask bits are shown in the following.

- LAFML

Bit	Bit Name	Initial Value	R/W	Description
15	LAFML7	0	R/W	When this bit is set to 1, ID-7 of the received message identifier is not compared.
14	LAFML6	0	R/W	When this bit is set to 1, ID-6 of the received message identifier is not compared.
13	LAFML5	0	R/W	When this bit is set to 1, ID-5 of the received message identifier is not compared.
12	LAFML4	0	R/W	When this bit is set to 1, ID-4 of the received message identifier is not compared.
11	LAFML3	0	R/W	When this bit is set to 1, ID-3 of the received message identifier is not compared.
10	LAFML2	0	R/W	When this bit is set to 1, ID-2 of the received message identifier is not compared.
9	LAFML1	0	R/W	When this bit is set to 1, ID-1 of the received message identifier is not compared.
8	LAFML0	0	R/W	When this bit is set to 1, ID-0 of the received message identifier is not compared.
7	LAFML15	0	R/W	When this bit is set to 1, ID-15 of the received message identifier is not compared.
6	LAFML14	0	R/W	When this bit is set to 1, ID-14 of the received message identifier is not compared.
5	LAFML13	0	R/W	When this bit is set to 1, ID-13 of the received message identifier is not compared.
4	LAFML12	0	R/W	When this bit is set to 1, ID-12 of the received message identifier is not compared.
3	LAFML11	0	R/W	When this bit is set to 1, ID-11 of the received message identifier is not compared.
2	LAFML10	0	R/W	When this bit is set to 1, ID-10 of the received message identifier is not compared.
1	LAFML9	0	R/W	When this bit is set to 1, ID-9 of the received message identifier is not compared.
0	LAFML8	0	R/W	When this bit is set to 1, ID-8 of the received message identifier is not compared.

- LAFMH

Bit	Bit Name	Initial Value	R/W	Description
15	LAFMH7	0	R/W	When this bit is set to 1, ID-20 of the received message identifier is not compared.
14	LAFMH6	0	R/W	When this bit is set to 1, ID-19 of the received message identifier is not compared.
13	LAFMH5	0	R/W	When this bit is set to 1, ID-18 of the received message identifier is not compared.
12 to 10	—	All 0	R	Reserved These bits are always read as 0. Only 0 should be written to these bits.
9	LAFMH1	0	R/W	When this bit is set to 1, ID-17 of the received message identifier is not compared.
8	LAFMH0	0	R/W	When this bit is set to 1, ID-16 of the received message identifier is not compared.
7	LAFMH15	0	R/W	When this bit is set to 1, ID-28 of the received message identifier is not compared.
6	LAFMH14	0	R/W	When this bit is set to 1, ID-27 of the received message identifier is not compared.
5	LAFMH13	0	R/W	When this bit is set to 1, ID-26 of the received message identifier is not compared.
4	LAFMH12	0	R/W	When this bit is set to 1, ID-25 of the received message identifier is not compared.
3	LAFMH11	0	R/W	When this bit is set to 1, ID-24 of the received message identifier is not compared.
2	LAFMH10	0	R/W	When this bit is set to 1, ID-23 of the received message identifier is not compared.
1	LAFMH9	0	R/W	When this bit is set to 1, ID-22 of the received message identifier is not compared.
0	LAFMH8	0	R/W	When this bit is set to 1, ID-21 of the received message identifier is not compared.

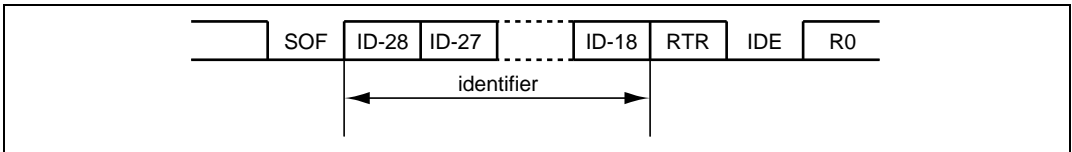
### 11.3.18 Message Control (MC0 to MC15)

The message control register sets consist of eight 8-bit registers for one mailbox. The HCAN has 16 sets of these registers. Because message control registers are in RAM, their initial values after power-on are undefined. Be sure to initialize them by writing 0 or 1. Figure 11.2 shows the register names for each mailbox.

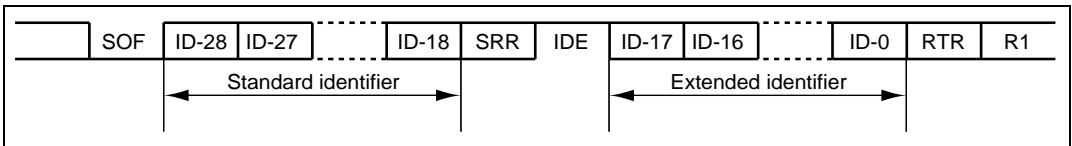
Mail box 0	MC0[1]	MC0[2]	MC0[3]	MC0[4]	MC0[5]	MC0[6]	MC0[7]	MC0[8]
Mail box 1	MC1[1]	MC1[2]	MC1[3]	MC1[4]	MC1[5]	MC1[6]	MC1[7]	MC1[8]
Mail box 2	MC2[1]	MC2[2]	MC2[3]	MC2[4]	MC2[5]	MC2[6]	MC2[7]	MC2[8]
Mail box 3	MC3[1]	MC3[2]	MC3[3]	MC3[4]	MC3[5]	MC3[6]	MC3[7]	MC3[8]
Mail box 15	MC15[1]	MC15[2]	MC15[3]	MC15[4]	MC15[5]	MC15[6]	MC15[7]	MC15[8]

**Figure 11.2 Message Control Register Configuration**

The settings of message control registers are shown in the following. Figures 11.3 and 11.4 show the correspondence between the identifiers and register bit names.



**Figure 11.3 Standard Format**



**Figure 11.4 Extended Format**

**Register**

<b>Register Name</b>	<b>Bit</b>	<b>Bit Name</b>	<b>R/W</b>	<b>Description</b>
MCx[1]	7 to 4	—	R/W	The initial value of these bits is undefined; they must be initialized (by writing 0 or 1).
	3 to 0	DLC3 to DLC0	R/W	Data Length Code Set the data length of a data frame or the data length requested in a remote frame within the range of 0 to 8 bits. 0000: 0 byte 0001: 1 byte 0010: 2 bytes 0011: 3 bytes 0100: 4 bytes 0101: 5 bytes 0110: 6 bytes 0111: 7 bytes 1000: 8 bytes : : 1111: 8 bytes
MCx[2]	7 to 0	—	R/W	The initial value of these bits is undefined; they must be initialized (by writing 0 or 1).
MCx[3]	7 to 0	—	R/W	
MCx[4]	7 to 0	—	R/W	
MCx[5]	7 to 5	ID-20 to ID-18	R/W	Sets ID-20 to ID-18 in the identifier.
	4	RTR	R/W	Remote Transmission Request Used to distinguish between data frames and remote frames. 0: Data frame 1: Remote frame
	3	IDE	R/W	Identifier Extension Used to distinguish between the standard format and extended format of data frames and remote frames. 0: Standard format 1: Extended format
	2	—	R/W	The initial value of this bit is undefined. It must be initialized by writing 0 or 1.
	1 to 0	ID-17 to ID-16	R/W	Sets ID-17 and ID-16 in the identifier.
MCx[6]	7 to 0	ID-28 to ID-21	R/W	Sets ID-28 to ID-21 in the identifier.
MCx[7]	7 to 0	ID-7 to ID-0	R/W	Sets ID-7 to ID-0 in the identifier.
MCx[8]	7 to 0	ID-15 to ID-8	R/W	Sets ID-15 to ID-8 in the identifier.

Legend:

x: Mailbox number

### 11.3.19 Message Data (MD0 to MD15)

The message data register sets consist of eight 8-bit registers for one mailbox. The HCAN has 16 sets of these registers. Because message data registers are in RAM, their initial values after power-on are undefined. Be sure to initialize them by writing 0 or 1. Figure 11.5 shows the register names for each mailbox.

Mail box 0	MD0[1]	MD0[2]	MD0[3]	MD0[4]	MD0[5]	MD0[6]	MD0[7]	MD0[8]
Mail box 1	MD1[1]	MD1[2]	MD1[3]	MD1[4]	MD1[5]	MD1[6]	MD1[7]	MD1[8]
Mail box 2	MD2[1]	MD2[2]	MD2[3]	MD2[4]	MD2[5]	MD2[6]	MD2[7]	MD2[8]
Mail box 3	MD3[1]	MD3[2]	MD3[3]	MD3[4]	MD3[5]	MD3[6]	MD3[7]	MD3[8]
Mail box 15	MD15[1]	MD15[2]	MD15[3]	MD15[4]	MD15[5]	MD15[6]	MD15[7]	MD15[8]

**Figure 11.5 Message Data Configuration**



## 11.4 Operation

### 11.4.1 Hardware and Software Resets

The HCAN can be reset by a hardware reset or software reset.

- **Hardware Reset**

At power-on reset, or in hardware or software standby mode, the HCAN is initialized by automatically setting the MCR reset request bit (MCR0) in MCR and the reset state bit (GSR3) in GSR. At the same time, all internal registers, except for message control and message data registers, are initialized by a hardware reset.

- **Software Reset**

The HCAN can be reset by setting the MCR reset request bit (MCR0) in MCR via software. In a software reset, the error counters (TEC and REC) are initialized, however other registers are not. If the MCR0 bit is set while the CAN controller is performing a communication operation (transmission or reception), the initialization state is not entered until message transfer has been completed. The reset status bit (GSR3) in GSR is set on completion of initialization.

### 11.4.2 Initialization after Hardware Reset

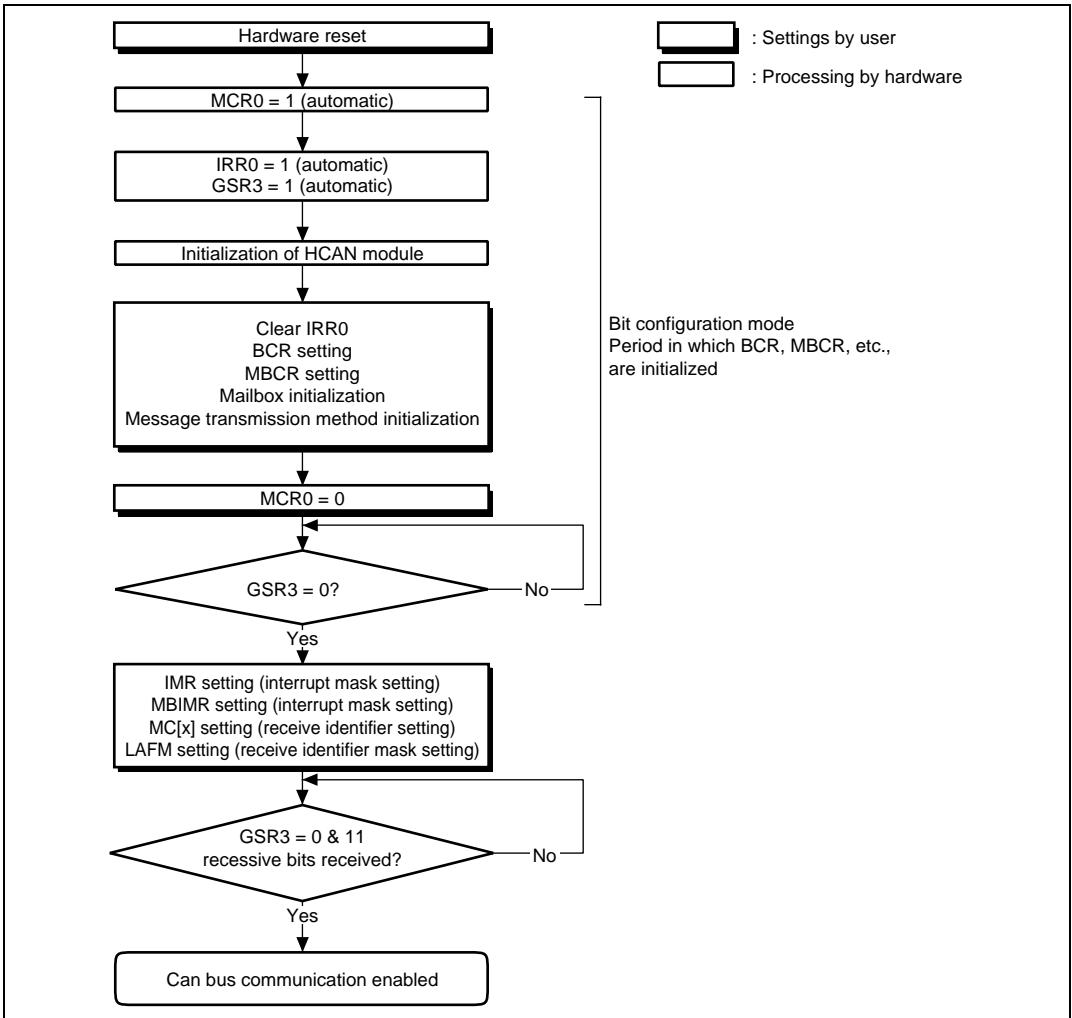
After a hardware reset, the following initialization processing should be carried out:

1. Clearing of IRR0 bit in the interrupt register (IRR)
2. Bit rate setting
3. Mailbox transmit/receive settings
4. Mailbox (RAM) initialization
5. Message transmission method setting

These initial settings must be made while the HCAN is in bit configuration mode. Configuration mode is a state in which the GSR3 bit in GSR is set to 1 by a reset. Configuration mode is exited by clearing the MCR0 bit in MCR to 0; when the MCR0 bit is cleared to 0, the HCAN automatically clears the GSR3 bit in GSR. There is a delay between clearing the MCR0 bit and clearing the GSR3 bit because the HCAN needs time to be internally reset, there is a delay between clearing of the MCR0 bit and GSR3 bit. After the HCAN exits configuration mode, the power-up sequence begins, and communication with the CAN bus is possible as soon as 11 consecutive recessive bits have been detected.

## IRR0 Clearing

The reset interrupt flag (IRR0) is always set after a power-on reset or recovery from software standby mode. As an HCAN interrupt is initiated immediately when interrupts are enabled, IRR0 should be cleared.



**Figure 11.6 Hardware Reset Flowchart**

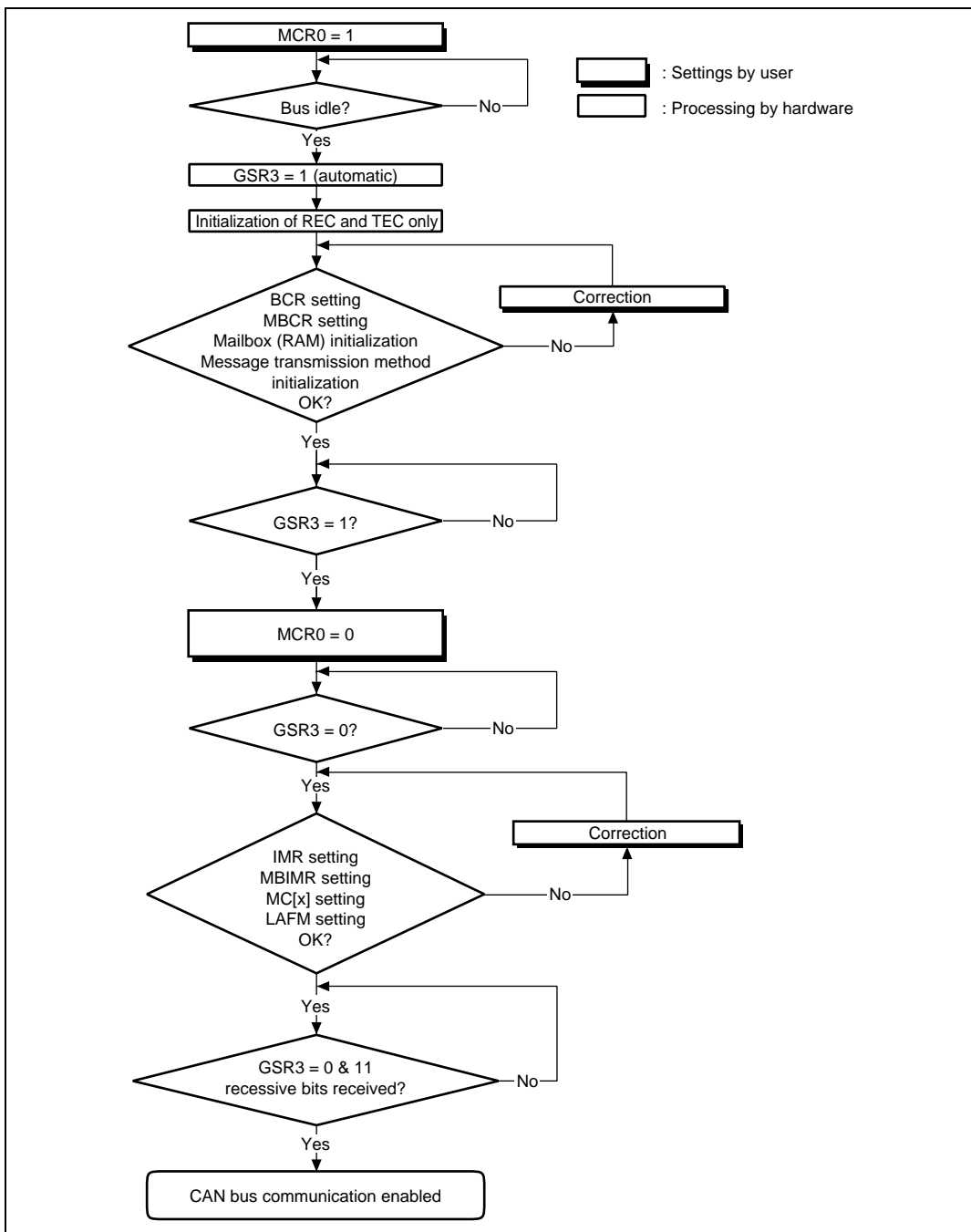
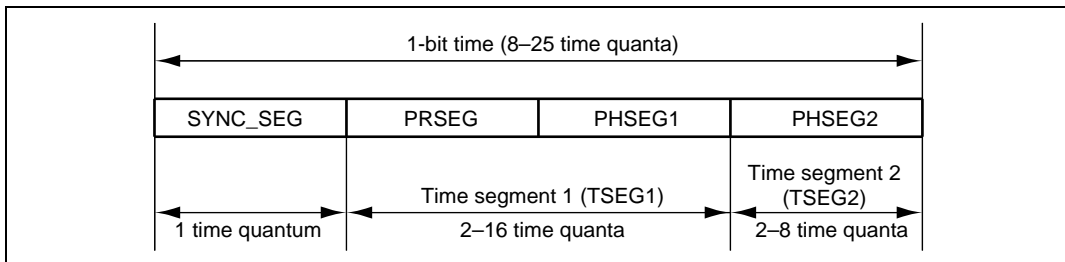


Figure 11.7 Software Reset Flowchart

## Bit Rate and Bit Timing Settings

The bit rate and bit timing settings are made in the bit configuration register (BCR). Settings should be made such that all CAN controllers connected to the CAN bus have the same baud rate and bit width. The 1-bit time consists of the total of the settable time quantum (tq).



**Figure 11.8 Detailed Description of One Bit**

SYNC\_SEG is a segment for establishing the synchronization of nodes on the CAN bus. Normal bit edge transitions occur in this segment. PRSEG is a segment for compensating for the physical delay between networks. PHSEG1 is a buffer segment for correcting phase drift (positive). This segment is extended when synchronization (resynchronization) is established. PHSEG2 is a buffer segment for correcting phase drift (negative). This segment is shortened when synchronization (resynchronization) is established. Limits on the settable value (TSEG1, TSEG2, BRP, sample point, and SJW) are shown in table 11.2.

**Table 11.2 Limits for the Settable Value**

Name	Abbreviation	Min. Value	Max. Value
Time segment 1	TSEG1	3*2	15
Time segment 2	TSEG2	1*3	7
Baud rate prescaler	BRP	0	63
Bit sample point	BSP	0	1
Re-synchronization jump width	SJW*1	0	3

Notes: 1. SJW is stipulated in the CAN specifications:

$$3 \geq \text{SJW} \geq 0$$

2. The minimum value of TSEG2 is stipulated in the CAN specifications:

$$\text{TSEG2} \geq \text{SJW}$$

3. The minimum value of TSEG1 is stipulated in the CAN specifications:

$$\text{TSEG1} > \text{TSEG2}$$

Time Quanta (TQ) is an integer multiple of the number of system clocks, and is determined by the baud rate prescaler (BRP) as follows.  $f_{CLK}$  is the system clock frequency.

$$TQ = 2 \times (\text{BPR setting} + 1) / f_{CLK}$$

The following formula is used to calculate the 1-bit time and bit rate.

$$\text{1-bit time} = TQ \times (3 + \text{TSEG1} + \text{TSEG2})$$

$$\begin{aligned} \text{Bit rate} &= 1 / \text{Bit time} \\ &= f_{CLK} / \{2 \times (\text{BPR setting} + 1) \times (3 + \text{TSEG1} + \text{TSEG2})\} \end{aligned}$$

Note:  $f_{CLK} = \phi$  (system clock)

A BCR value is used for BRP, TSEG1, and TSEG2.

Example: With a system clock of 20 MHz, a BRP setting of B'000000, a TSEG1 setting of B'0100, and a TSEG2 setting of B'011:

$$\text{Bit rate} = 20 / \{2 \times (0 + 1) \times (3 + 4 + 3)\} = 1 \text{ Mbps}$$

**Table 11.3 Setting Range for TSEG1 and TSEG2 in BCR**

		TSEG2 (BCR[14:12])						
		001	010	011	100	101	110	111
TSEG1 (BCR[11:8])	0011	No	Yes	No	No	No	No	No
	0100	No*	Yes	Yes	No	No	No	No
	0101	No*	Yes	Yes	Yes	No	No	No
	0110	No*	Yes	Yes	Yes	Yes	No	No
	0111	No*	Yes	Yes	Yes	Yes	Yes	No
	1000	No*	Yes	Yes	Yes	Yes	Yes	Yes
	1001	No*	Yes	Yes	Yes	Yes	Yes	Yes
	1010	No*	Yes	Yes	Yes	Yes	Yes	Yes
	1011	No*	Yes	Yes	Yes	Yes	Yes	Yes
	1100	No*	Yes	Yes	Yes	Yes	Yes	Yes
	1101	No*	Yes	Yes	Yes	Yes	Yes	Yes
	1110	No*	Yes	Yes	Yes	Yes	Yes	Yes
1111	No*	Yes	Yes	Yes	Yes	Yes	Yes	

Note: \* Do not set a Baud Rate Prescaler (BRP) value of B'000000 ( $2 \times$  system clock).

## Mailbox Transmit/Receive Settings

The HCAN has 16 mailboxes. Mailbox 0 is receive-only, while mailboxes 1 to 15 can be set for transmission or reception. The Initial status of mailboxes 1 to 15 is for transmission. Mailbox transmit/receive settings are not initialized by a software reset.

Clearing a bit to 0 in the mailbox configuration register (MBCR) designates the corresponding mailbox for transmission use, whereas a setting of 1 in MBCR designates the corresponding mailbox for reception use. When setting mailboxes for reception, in order to improve message reception efficiency, high-priority messages should be set in low-to-high mailbox order.

## Mailbox (Message Control/Data) Initial Settings

Message control/data are held in RAM, and so their initial values are undefined after power is supplied. Initial values must therefore be set in all the mailboxes (by writing 0s or 1s).

## Setting the Message Transmission Method

The following two kinds of message transmission methods are available.

- Transmission order determined by message identifier priority
- Transmission order determined by mailbox number priority

Either of the message transmission methods can be selected with the message transmission method bit (MCR2) in the master control register (MCR): When messages are set to be transmitted according to the message identifier priority, if several messages are designated as waiting for transmission (TXPR = 1), the message with the highest priority in the message identifier is stored in the transmit buffer. CAN bus arbitration is then carried out for the message stored in the transmit buffer, and the message is transmitted when the transmission right is acquired. When the TXPR bit is set, the highest-priority message is found and stored in the transmit buffer.

When messages are set to be transmitted according to the mailbox number priority, if several messages are designated as waiting for transmission (TXPR = 1), messages are stored in the transmit buffer in low-to-high mailbox order. CAN bus arbitration is then carried out for the message stored in the transmit buffer, and the message is transmitted when the transmission right is acquired.

### 11.4.3 Message Transmission

Messages are transmitted using mailboxes 1 to 15. The transmission procedure after initial settings is described below, and a transmission flowchart is shown in figure 11.9.

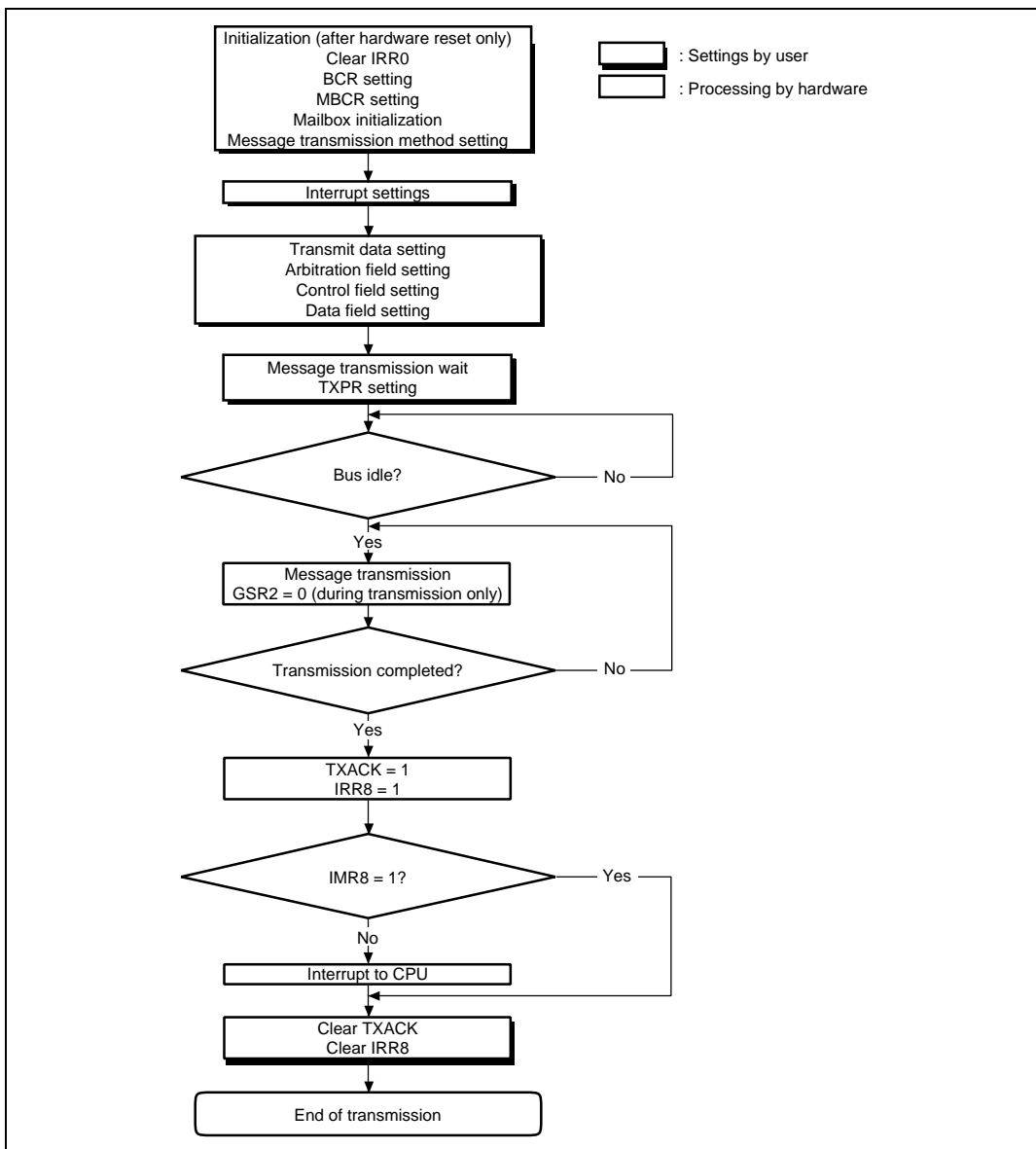


Figure 11.9 Transmission Flowchart

## CPU Interrupt Source Settings

The CPU interrupt source is set by the interrupt mask register (IMR) and mailbox interrupt mask register (MBIMR). Transmission acknowledge and transmission abort acknowledge interrupts can be generated for individual mailboxes in the mailbox interrupt mask register (MBIMR).

## Arbitration Field Setting

The arbitration field is set by message control registers MCx[5] to MCx[8] in a transmit mailbox. For a standard format, an 11-bit identifier (ID-28 to ID-18) and the RTR bit are set, and the IDE bit is cleared to 0. For an extended format, a 29-bit identifier (ID-28 to ID-0) and the RTR bit are set, and the IDE bit is set to 1.

## Control Field Setting

In the control field, the byte length of the data to be transmitted is set within the range of zero to eight bytes. The register to be set is the message control register MCx[1] in a transmit mailbox.

## Data Field Setting

In the data field, the data to be transmitted is set within the range zero to eight. The registers to be set are the message data registers MDx[1] to MDx[8]. The byte length of the data to be transmitted is determined by the data length code in the control field. Even if data exceeding the value set in the control field is set in the data field, up to the byte length set in the control field will actually be transmitted.

## Message Transmission

If the corresponding mailbox transmit wait bit (TXPR1 to TXPR15) in the transmit wait register (TXPR) is set to 1 after message control and message data registers have been set, the message enters transmit wait state. If the message is transmitted error-free, the corresponding acknowledge bit (TXACK1 to TXACK15) in the transmit acknowledge register (TXACK) is set to 1, and the corresponding transmit wait bit (TXPR1 to TXPR15) in the transmit wait register (TXPR) is automatically cleared to 0. Also, if the corresponding bit (MBIMR1 to MBIMR15) in the mailbox interrupt mask register (MBIMR) and the mailbox empty interrupt bit (IRR8) in the interrupt mask register (IMR) are both simultaneously set to enable interrupts, interrupts may be sent to the CPU.



If transmission of a transmit message is aborted in the following cases, the message is retransmitted automatically:

- CAN bus arbitration failure (failure to acquire the bus)
- Error during transmission (bit error, stuff error, CRC error, frame error, or ACK error)

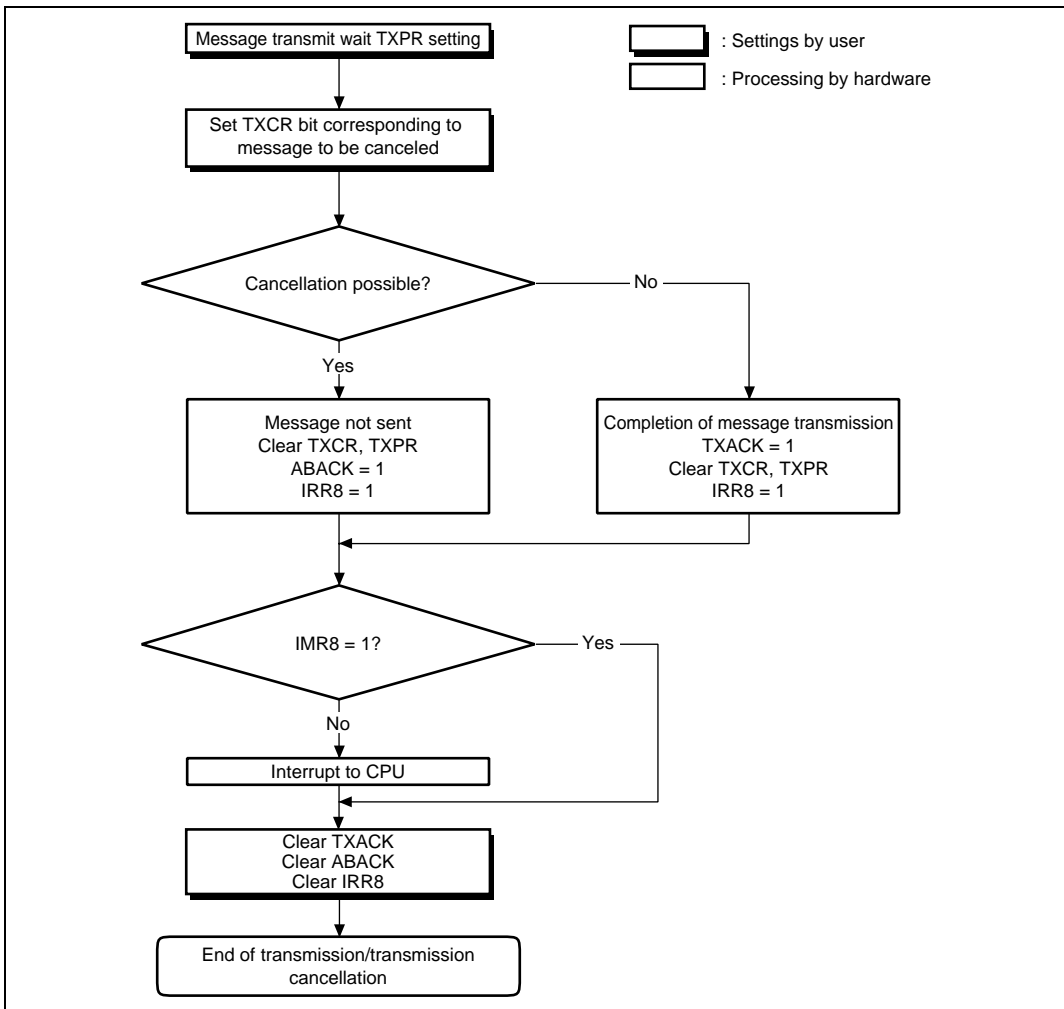
### Message Transmission Cancellation

Transmission cancellation can be specified for a message stored in a mailbox as a transmit wait message. A transmit wait message is canceled by setting the bit for the corresponding mailbox (TXCR1 to TXCR15) to 1 in the transmit cancel register (TXCR). Clearing the transmit wait register (TXPR) does not cancel transmission. When cancellation is executed, the transmit wait register (TXPR) is automatically reset, and the corresponding bit is set to 1 in the abort acknowledge register (ABACK). An interrupt to the CPU can be requested, and if the mailbox empty interrupt (IRR8) is enabled for the bits (MBIMR1 to MBIMR15) corresponding to the mailbox interrupt mask register (MBIMR) and interrupt mask register (IMR), interrupts may be sent to the CPU.

However, a transmit wait message cannot be canceled at the following times:

- During internal arbitration or CAN bus arbitration
- During data frame or remote frame transmission

Figure 11.10 shows a flowchart for transmit message cancellation.



**Figure 11.10 Transmit Message Cancellation Flowchart**

#### 11.4.4 Message Reception

The reception procedure after initial settings is described below. A reception flowchart is shown in figure 11.11.

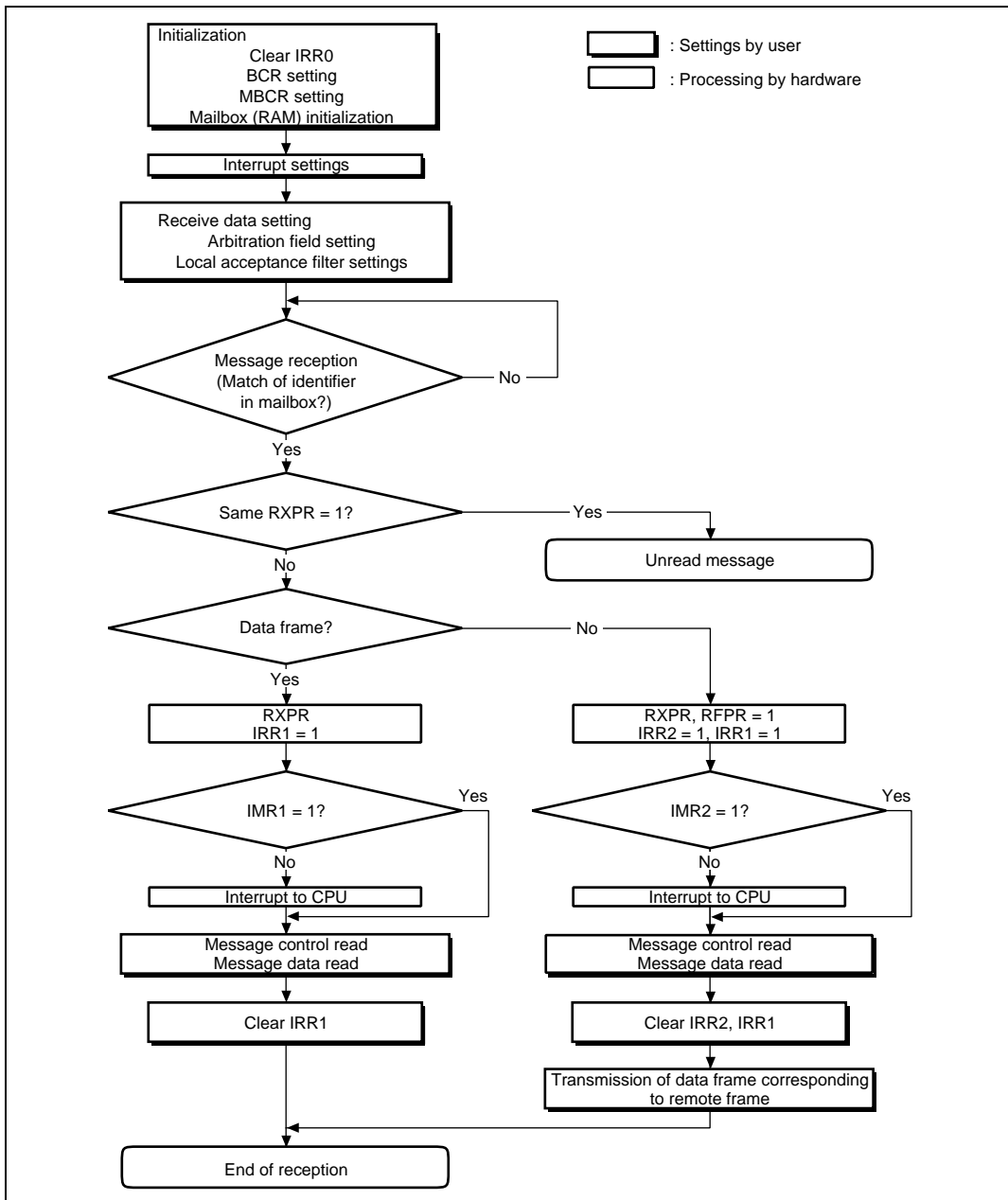


Figure 11.11 Reception Flowchart

## CPU Interrupt Source Settings

CPU interrupt source settings are made in the interrupt mask register (IMR) and mailbox interrupt register (MBIMR). The message to be received is also specified. Data frame and remote frame receive wait interrupt requests can be generated for individual mailboxes in the MBIMR.

## Arbitration Field Setting

To receive a message, the message identifier must be set in advance in the message control registers (MCx[1]–MCx[8]) for the receiving mailbox. When a message is received, all the bits in the received message identifier are compared with those in each message control register identifier, and if a 100% match is found, the message is stored in the matching mailbox. Mailbox 0 has a local acceptance filter mask (LAFM) that allows Don't Care settings to be made. The LAFM setting can be made only for mailbox 0. By making the Don't Care setting for all the bits in the received message identifier, messages of multiple identifiers can be received.

Examples:

- When the identifier of mailbox 1 is 010\_1010\_1010 (standard format), only one kind of message identifier can be received by mailbox 1:  
Identifier 1:      010\_1010\_1010
- When the identifier of mailbox 0 is 010\_1010\_1010 (standard format) and the LAFM setting is 000\_0000\_0011 (0: Care, 1: Don't Care), a total of four kinds of message identifiers can be received by mailbox 0:  
Identifier 1:      010\_1010\_1000  
Identifier 2:      010\_1010\_1001  
Identifier 3:      010\_1010\_1010  
Identifier 4:      010\_1010\_1011

## Message Reception

When a message is received, a CRC check is performed automatically. If the result of the CRC check is normal, ACK is transmitted in the ACK field irrespective of whether the message can be received or not.

- Data frame reception

If the received message is confirmed to be error-free by the CRC check, the identifier in the mailbox (and also LAFM in the case of mailbox 0 only) and the identifier of the received message, are compared. If a complete match is found, the message is stored in the mailbox. The message identifier comparison is carried out on each mailbox in turn, starting with mailbox 0 and ending with mailbox 15. If a complete match is found, the comparison ends at that point, the message is stored in the matching mailbox, and the corresponding receive complete bit (RXPR0 to RXPR15) is set in the receive complete register (RXPR). However, when a mailbox 0 LAFM comparison is carried out, even if the identifier matches, the mailbox comparison sequence does not end at that point, but continues with mailbox 1 and then the remaining mailboxes. It is therefore possible for a message matching mailbox 0 to be received by another mailbox. Note that the same message cannot be stored in more than one of mailboxes 1 to 15. On receiving a message, a CPU interrupt request may be generated depending on the mailbox interrupt mask register (MBIMR) and interrupt mask register (IMR) settings.

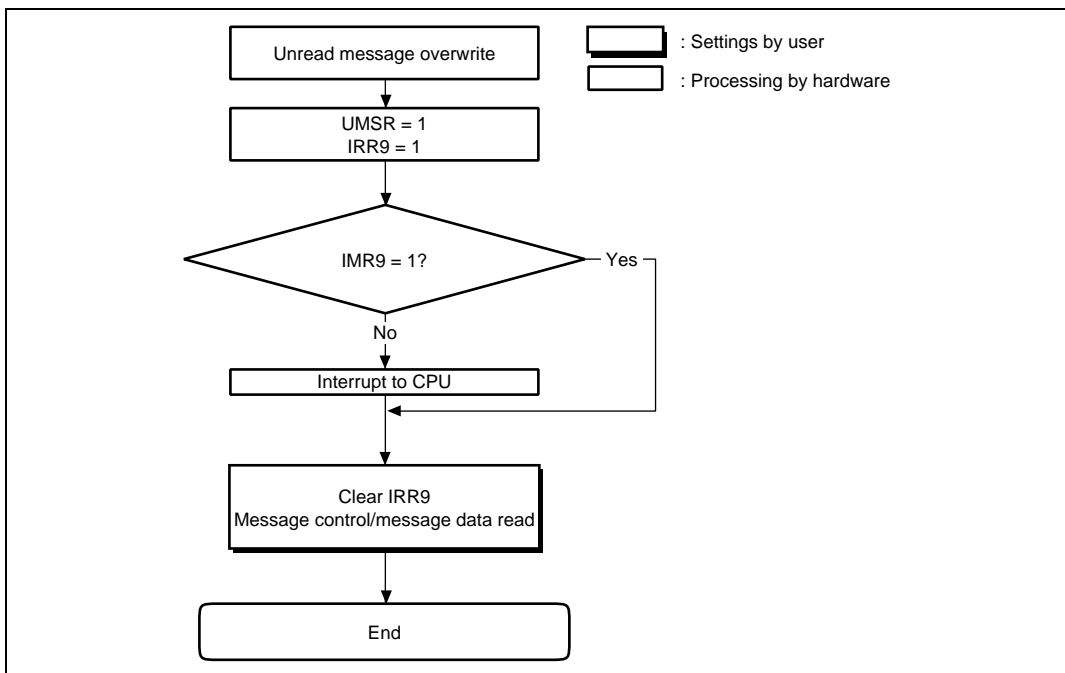
- Remote frame reception

Two kinds of messages—data frames and remote frames—can be stored in mailboxes. A remote frame differs from a data frame in that the remote transmission request bit (RTR) in the message control register and the data field are 0 bytes long. The data length to be returned in a data frame must be stored in the data length code (DLC) in the control field.

When a remote frame (RTR = recessive) is received, the corresponding bit is set in the remote request wait register (RFPR). If the corresponding bit (MBIMR0 to MBIMR15) in the mailbox interrupt mask register (MBIMR) and the remote frame request interrupt mask (IRR2) in the interrupt mask register (IMR) are set to the interrupt enable value at this time, an interrupt can be sent to the CPU.

## Unread Message Overwrite

If the received message identifier matches the mailbox identifier, the received message is stored in the mailbox regardless of whether the mailbox contains an unread message or not. If a message overwrite occurs, the corresponding bit (UMSR0 to UMSR15) is set in the unread message register (UMSR). In overwriting an unread message, when a new message is received before the corresponding bit in the receive complete register (RXPR) has been cleared, the unread message register (UMSR) is set. If the unread interrupt flag (IRR9) in the interrupt mask register (IMR) is set to the interrupt enable value at this time, an interrupt can be sent to the CPU. Figure 11.12 shows a flowchart for unread message overwriting.



**Figure 11.12 Unread Message Overwrite Flowchart**

### 11.4.5 HCAN Sleep Mode

The HCAN is provided with an HCAN sleep mode that places the HCAN module in the sleep state in order to reduce current dissipation. Figure 11.13 shows a flowchart of the HCAN sleep mode.

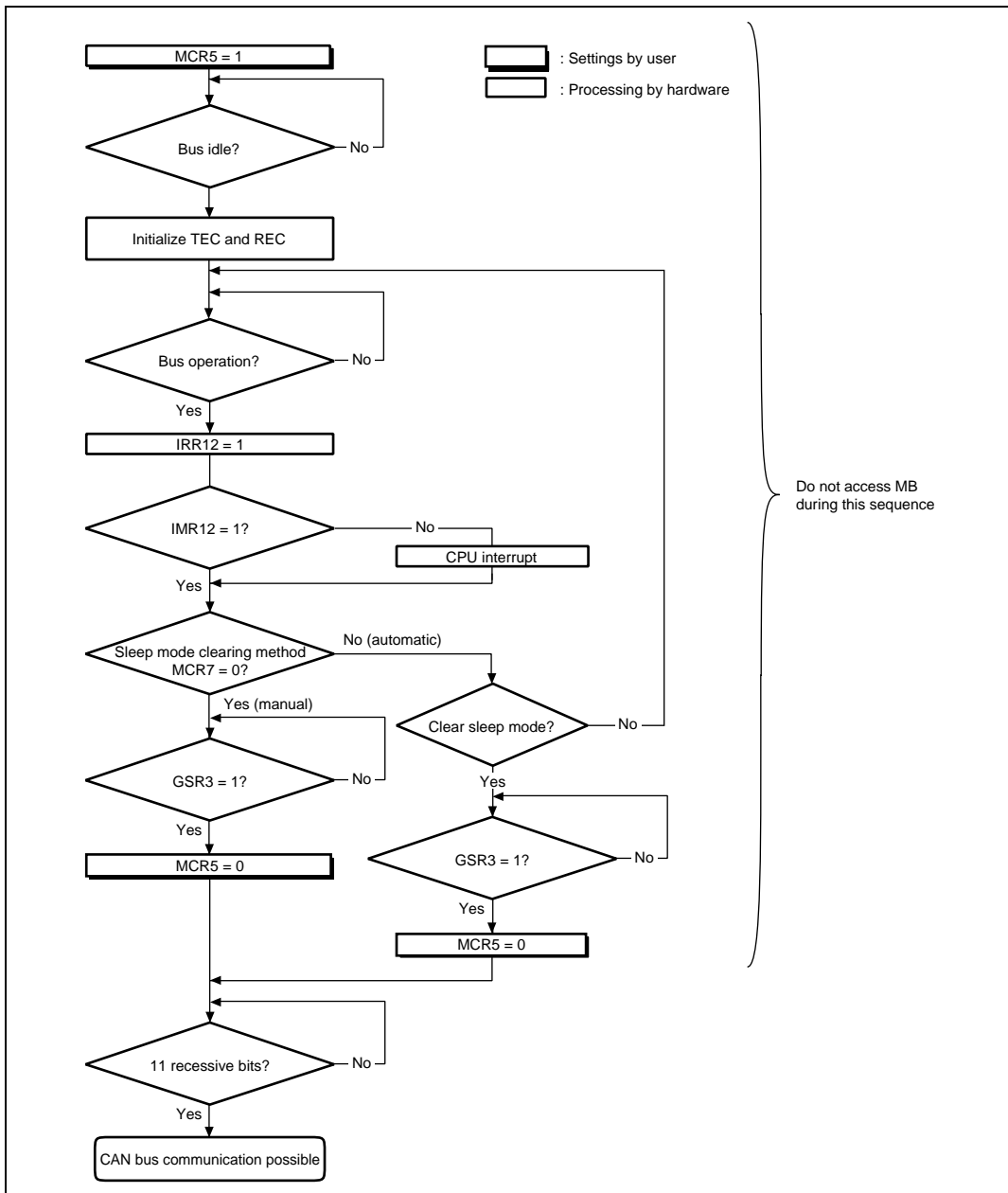


Figure 11.13 HCAN Sleep Mode Flowchart

HCAN sleep mode is entered by setting the HCAN sleep mode bit (MCR5) to 1 in the master control register (MCR). If the CAN bus is operating, the transition to HCAN sleep mode is delayed until the bus becomes idle.

Either of the following methods of clearing HCAN sleep mode can be selected:

- Clearing by software
- Clearing by CAN bus operation

Eleven recessive bits must be received after HCAN sleep mode is cleared before CAN bus communication is re-enabled.

### **Clearing by Software**

HCAN sleep mode is cleared by writing a 0 to MCR5 from the CPU.

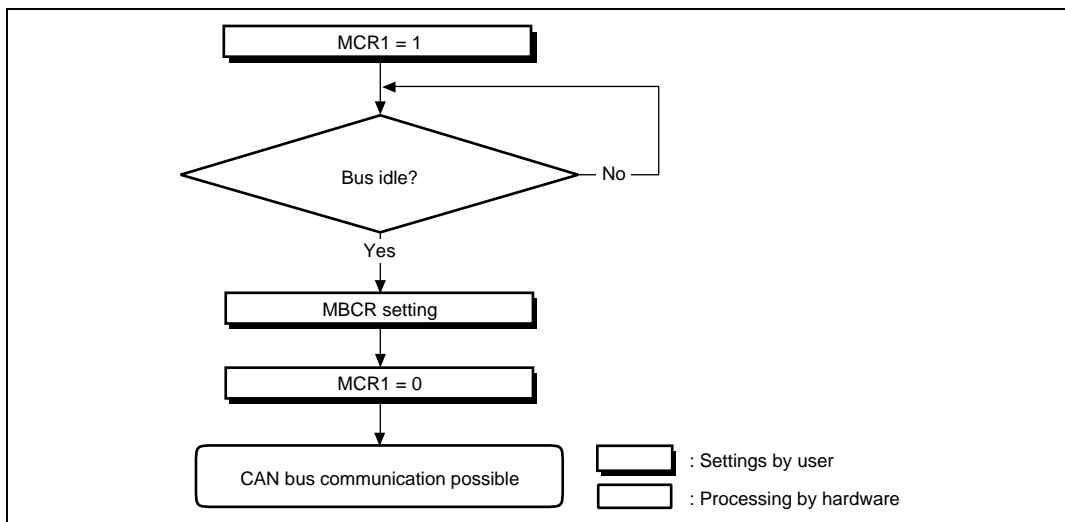
### **Clearing by CAN Bus Operation**

The cancellation method is selected by the MCR7 bit setting in MCR. Clearing by CAN bus operation occurs automatically when the CAN bus performs an operation and this change is detected. In this case, the first message is not stored in a mailbox; messages will be received normally from the second message onward. When a change is detected on the CAN bus in HCAN sleep mode, the bus operation interrupt flag (IRR12) is set in the interrupt register (IRR). If the bus interrupt mask (IMR12) in the interrupt mask register (IMR) is set to the interrupt enable value at this time, an interrupt can be sent to the CPU.



### 11.4.6 HCAN Halt Mode

The HCAN halt mode is provided to enable mailbox settings to be changed without performing an HCAN hardware or software reset. Figure 11.14 shows a flowchart of the HCAN halt mode.



**Figure 11.14 HCAN Halt Mode Flowchart**

HCAN halt mode is entered by setting the halt request bit (MCR1) to 1 in the master control register (MCR). If the CAN bus is operating, the transition to HCAN halt mode is delayed until the bus becomes idle.

HCAN halt mode is cleared by clearing MCR1 to 0.

## 11.5 Interrupts

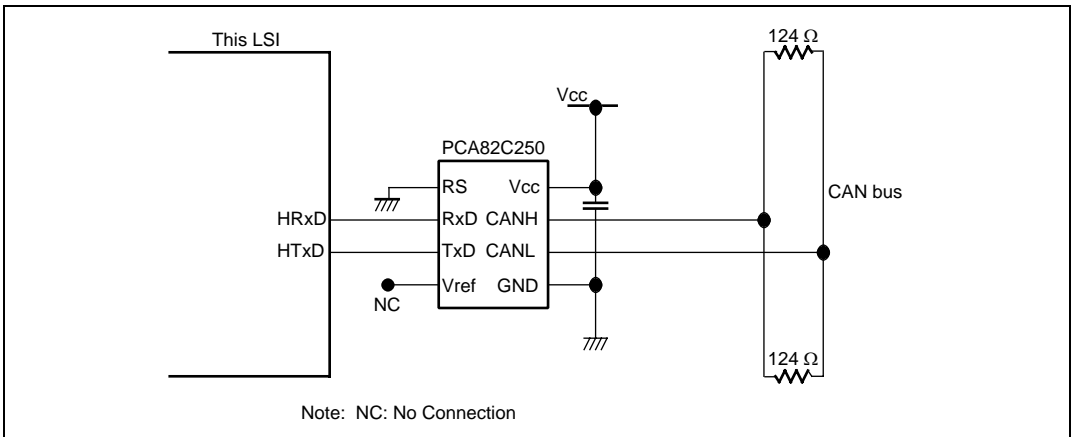
Table 11.4 lists the HCAN interrupt sources. With the exception of the reset processing vector (IRR0), these sources can be masked. Masking is implemented using the mailbox interrupt mask register (MBIMR) and interrupt mask register (IMR). For details on the interrupt vector of each interrupt source, see section 5, Interrupt Controller.

**Table 11.4 HCAN Interrupt Sources**

Name	Description	Interrupt Flag
ERS0/OVR0	Error passive interrupt ( $TEC \geq 128$ or $REC \geq 128$ )	IRR5
	Bus off interrupt ( $TEC \geq 256$ )	IRR6
	Reset process interrupt by power-on reset	IRR0
	Remote frame reception	IRR2
	Error warning interrupt ( $TEC \geq 96$ )	IRR3
	Error warning interrupt ( $REC \geq 96$ )	IRR4
	Overload frame transmission interrupt	IRR7
	Unread message overwrite	IRR9
	Detection of CAN bus operation in HCAN sleep mode	IRR12
RM0	Mailbox 0 message reception	IRR1
RM1	Mailbox 1 to 15 message reception	IRR1
SLE0	Message transmission/cancellation	IRR8

## 11.6 CAN Bus Interface

A bus transceiver IC is necessary to connect this LSI to a CAN bus. A Philips PCA82C250 transceiver IC is recommended. Any other product must be compatible with the PCA82C250. Figure 11.15 shows a sample connection diagram.

**Figure 11.15 High-Speed Interface Using PCA82C250**

## 11.7 Usage Notes

### 11.7.1 Module Stop Mode Setting

HCAN operation can be disabled or enabled using the module stop control register. The initial setting is for HCAN operation to be halted. Register access is enabled by clearing module stop mode. For details, see section 20, Power-Down Modes.

### 11.7.2 Reset

The HCAN is reset by a power-on reset, in hardware standby mode, and in software standby mode. All the registers are initialized in a reset, however mailboxes (message control (MCx[x])/message data (MDx[x])) are not. After power-on, mailboxes (message control (MCx[x])/message data (MDx[x])) are not initialized, and their values are undefined. Therefore, mailbox initialization must always be carried out after a power-on reset, a transition to hardware standby mode, or software standby mode. The reset interrupt flag (IRR0) is always set after a power-on reset or recovery from software standby mode. As this bit cannot be masked in the interrupt mask register (IMR), if HCAN interrupt enabling is set in the interrupt controller without clearing the flag, an HCAN interrupt will be initiated immediately. IRR0 should therefore be cleared during initialization.

### 11.7.3 HCAN Sleep Mode

The bus operation interrupt flag (IRR12) in the interrupt register (IRR) is set by CAN bus operation in HCAN sleep mode. Therefore, this flag is not used by the HCAN to indicate sleep mode release. Note that the reset status bit (GSR3) in the general status register (GSR) is set in sleep mode.

### 11.7.4 Interrupts

When the mailbox interrupt mask register (MBIMR) is set, the interrupt register (IRR8, IRR2, or IRR1) is not set by reception completion, transmission completion, or transmission cancellation for the set mailboxes.

### **11.7.5 Error Counters**

In the case of error active and error passive, REC and TEC normally count up and down. In the bus-off state, 11-bit recessive sequences are counted (REC + 1) using REC. If REC reaches 96 during the count, IRR4 and GSR1 are set.

### **11.7.6 Register Access**

Byte or word access can be used on all HCAN registers. Longword access cannot be used.

### **11.7.7 HCAN Medium-Speed Mode**

In medium-speed mode, neither read nor write is possible for the HCAN registers.

### **11.7.8 Register Hold in Standby Modes**

All HCAN registers are initialized in hardware standby mode and software standby mode.

### **11.7.9 Usage of Bit Manipulation Instructions**

The HCAN status flags are cleared by writing 1, so do not use a bit manipulation instruction to clear a flag. When clearing a flag, use the MOV instruction to write 1 to only the bit that is to be cleared.

### 11.7.10 HCAN TXCR Operation

1. When the transmit wait cancel register (TXCR) is used to cancel a transmit wait message in a transmit wait mailbox, the corresponding bit to TXCR and the transmit wait register (TXPR) may not be cleared even if transmission is canceled. This occurs when the following conditions are all satisfied.
  - The HRxD pin is stacked to 1 because of a CAN bus error, etc.
  - There is at least one mailbox waiting for transmission or being transmitted.
  - The message transmission in a mailbox being transmitted is canceled by TXCR.

If this occurs, transmission is canceled. However, since TXPR and TXCR states are indicated wrongly that a message is being cancelled, transmission cannot be restarted even if the stack state of the HRxD pin is canceled and the CAN bus recovers the normal state. If there are at least two transmission messages, a message which is not being transmitted is canceled and a message being transmitted retains its state.

To avoid this, one of the following countermeasures must be executed.

- Transmission must not be canceled by TXCR. When transmission is normally completed after the CAN bus has recovered, TXPR is cleared and the HCAN recovers the normal state.
  - To cancel transmission, the corresponding bit to TXCR must be written to 1 continuously until the bit becomes 0. TXPR and TXCR are cleared and the HCAN recovers the normal state.
2. When the bus-off state is entered while TXPR is set and the transmit wait state is entered, the internal state machine does not operate even if TXCR is set during the bus-off state. Therefore transmission cannot be canceled. The message can be canceled when one message is transmitted or a transmission error occurs after the bus-off state is recovered. To clear a message after the bus-off state is recovered, the following countermeasures must be executed.
    - A transmit wait message must be cleared by resetting the HCAN during the bus-off period. To reset the HCAN, the module stop bit (MSTPC3 in MSTPCRC) must be set or cleared. In this case, the HCAN is entirely reset. Therefore the initial settings must be made again.

### 11.7.11 HCAN Transmit Procedure

When transmission is set while the bus is in the idle state, if the next transmission is set or the set transmission is canceled under the following conditions within 50  $\mu\text{s}$ , the transmit message ID of being set may be damaged.

- When the second transmission has the message whose priority is higher than the first one
- When the message of the highest priority is canceled in the first transmission

Make whichever setting shown below to avoid the message IDs from being damaged.

- Set transmission in one TXPR. After transmission of all transmit messages is completed, set transmission again (mass transmission setting). The interval between transmission settings should be 50  $\mu\text{s}$  or longer.
- Make the transmission setting according to the priority of transmit messages.
- Set the interval to be 50  $\mu\text{s}$  or longer between TXPR and another TXPR or between TXPR and TXCR.

**Table 11.5 Interval Limitation between TXPR and TXPR or between TXPR and TXCR**

Baud Rate (bps)	Set Interval ( $\mu\text{s}$ )
1 M	50
500 k	50
250 k	50

### 11.7.12 Note on Releasing the HCAN Software Reset and HCAN Sleep

Before releasing the HCAN software reset or HCAN sleep ( $\text{MCR0} = 0$  or  $\text{MCR5} = 0$ ), confirm that the GSR3 bit (the reset status bit) is surely set to 1.

### 11.7.13 Note on Accessing Mailbox during the HCAN Sleep

Do not access the mailbox during the HCAN sleep. If accessed, the CPU might halt. Accessing registers during the HCAN sleep does not cause the CPU halt, nor does accessing the mailbox in other than the HCAN sleep mode.

## Section 12 A/D Converter

This LSI includes a successive approximation type 10-bit A/D converter that allows up to eight analog input channels to be selected. The Block diagram of the A/D converter is shown in figure 12.1.

### 12.1 Features

- 10-bit resolution
- Maximum eight input channels (six channels for the HD64F2280RB)
- Conversion time: 13.3  $\mu$ s per channel (at 20-MHz operation)
- Two operating modes
  - Single mode: Single-channel A/D conversion
  - Scan mode: Continuous A/D conversion on 1 to 4 channels
- Four data registers
  - Conversion results are held in a 16-bit data register for each channel
- Sample and hold function
- Three methods conversion start
  - Software
  - 16-bit timer pulse unit (TPU) conversion start trigger
  - External trigger signal
- Interrupt request
  - An A/D conversion end interrupt request (ADI) can be generated
- Module stop mode can be set

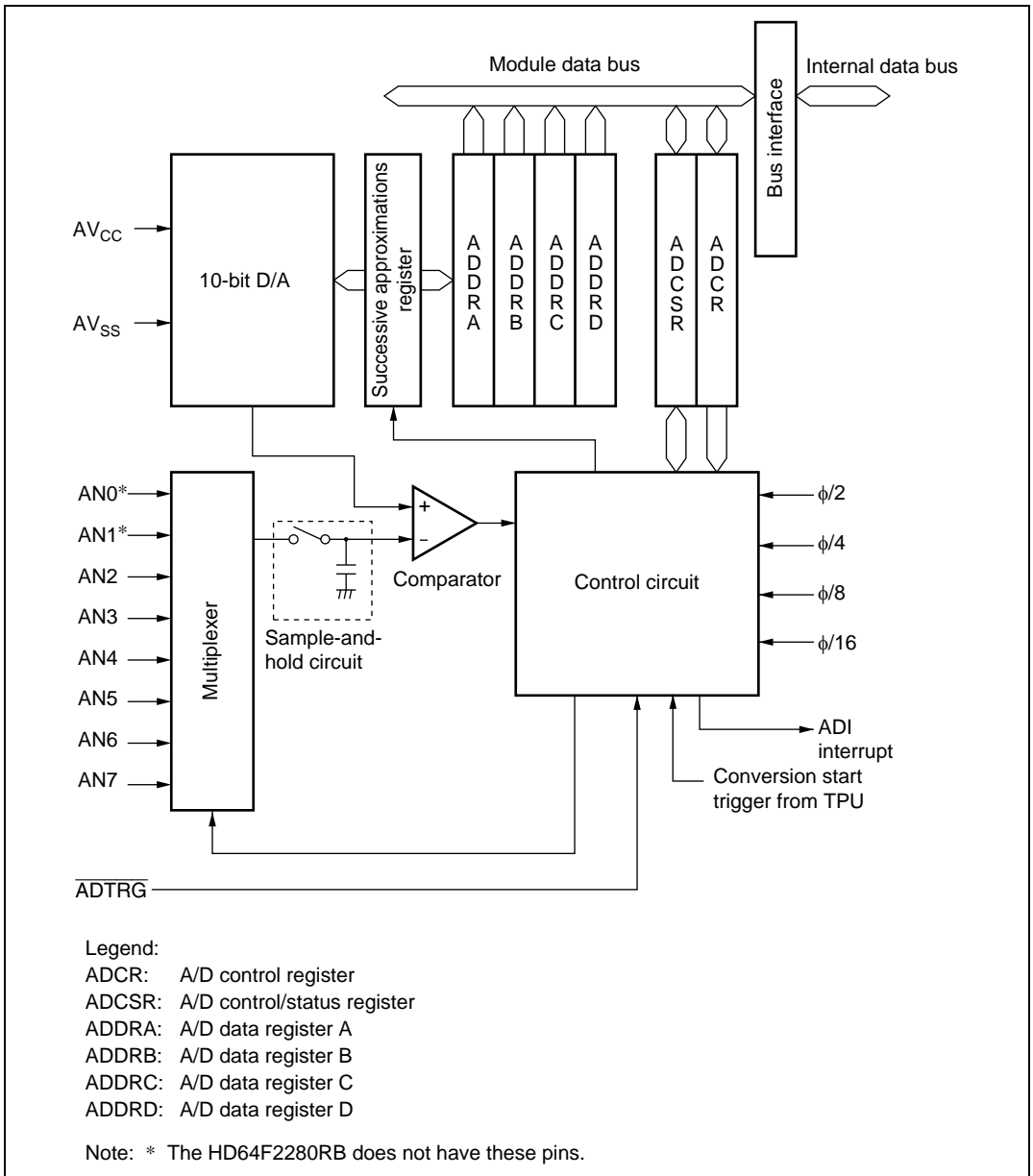


Figure 12.1 Block Diagram of A/D Converter



## 12.2 Input/Output Pins

Table 12.1 summarizes the input pins used by the A/D converter. The eight analog input pins are divided into four channel sets and two groups; analog input pins 0 to 3 (AN0 to AN3) comprising group 0 and analog input pins 4 to 7 (AN4 to AN7) comprising group 1. The AV<sub>cc</sub> and AV<sub>ss</sub> pins are the power supply pins for the analog block in the A/D converter.

**Table 12.1 Pin Configuration**

Pin Name	Symbol	I/O	Function
Analog power supply pin	AV <sub>cc</sub>	Input	Analog block power supply and reference voltage
Analog ground pin	AV <sub>ss</sub>	Input	Analog block ground and reference voltage
Analog input pin 0*	AN0	Input	Group 0 analog input pins
Analog input pin 1*	AN1	Input	
Analog input pin 2	AN2	Input	
Analog input pin 3	AN3	Input	
Analog input pin 4	AN4	Input	Group 1 analog input pins
Analog input pin 5	AN5	Input	
Analog input pin 6	AN6	Input	
Analog input pin 7	AN7	Input	
A/D external trigger input pin	ADTRG	Input	External trigger input pin for starting A/D conversion

Note: \* The HD64F2280RB does not have these pins.

## 12.3 Register Descriptions

The A/D converter has the following registers. The MSTPA1 bit in the module stop control register (MSTPCRA) specifies the modes of this module as module stop mode. For details on MSTPCRA, see section 20.1.3, Module Stop Control Registers A to D (MSTPCRA to MSTPCRD).

- A/D data register A (ADDRA)
- A/D data register B (ADDRB)
- A/D data register C (ADDRC)
- A/D data register D (ADDRD)
- A/D control/status register (ADCSR)
- A/D control register (ADCR)

### 12.3.1 A/D Data Registers A to D (ADDRA to ADDR D)

There are four 16-bit read-only ADDR registers; ADDRA to ADDR D, used to store the results of A/D conversion. The ADDR registers, which store a conversion result for each channel, are shown in table 12.2.

The converted 10-bit data is stored in bits 6 to 15. The lower 6 bits are always read as 0.

The data bus between the CPU and the A/D converter is 8 bits wide. The upper byte can be read directly from the CPU, however the lower byte should be read via a temporary register. The temporary register contents are transferred from the ADDR when the upper byte data is read. When reading the ADDR, read the upper byte before the lower byte, or read in word unit. Reading the lower bytes alone does not guarantee the contents.

**Table 12.2 Analog Input Channels and Corresponding ADDR Registers**

Analog Input Channel		A/D Data Register to Be Stored the Results of A/D Conversion
Group 0 (CH2 = 0)	Group 1 (CH2 = 1)	
AN0*	AN4	ADDRA
AN1*	AN5	ADDRB
AN2	AN6	ADDRC
AN3	AN7	ADDRD

Note: \* The HD64F2280RB does not have these pins.

### 12.3.2 A/D Control/Status Register (ADCSR)

ADCSR controls A/D conversion operations.

Bit	Bit Name	Initial Value	R/W	Description
7	ADF	0	R/(W)*1	<p>A/D End Flag</p> <p>A status flag that indicates the end of A/D conversion.</p> <p>[Setting conditions]</p> <ul style="list-style-type: none"> <li>• When A/D conversion ends</li> <li>• When A/D conversion ends on all specified channels</li> </ul> <p>[Clearing condition]</p> <ul style="list-style-type: none"> <li>• When 0 is written after reading ADF = 1</li> </ul>
6	ADIE	0	R/W	<p>A/D Interrupt Enable</p> <p>A/D conversion end interrupt (ADI) request enabled when 1 is set</p>
5	ADST	0	R/W	<p>A/D Start</p> <p>Clearing this bit to 0 stops A/D conversion, and the A/D converter enters the wait state.</p> <p>Setting this bit to 1 starts A/D conversion. In single mode, this bit is cleared to 0 automatically when conversion on the specified channel is complete. In scan mode, conversion continues sequentially on the specified channels until this bit is cleared to 0 by software, a reset, or a transition to software standby mode, hardware standby mode or module stop mode.</p>
4	SCAN	0	R/W	<p>Scan Mode</p> <p>Selects single mode or scan mode as the A/D conversion operating mode.</p> <p>0: Single mode</p> <p>1: Scan mode</p>
3	—	0	R/W	<p>Reserved</p> <p>The write value should always be 0.</p>

Bit	Bit Name	Initial Value	R/W	Description	
2	CH2	0	R/W	Channel Select 2 to 0	
1	CH1	0	R/W	Select analog input channels.	
0	CH0	0	R/W	When SCAN = 0	When SCAN = 1
				000: AN0 <sup>*2</sup>	000: AN0 <sup>*2</sup>
				001: AN1 <sup>*2</sup>	001: AN0 and AN1 <sup>*2</sup>
				010: AN2	010: AN0 to AN2 <sup>*2</sup>
				011: AN3	011: AN0 to AN3 <sup>*2</sup>
				100: AN4	100: AN4
				101: AN5	101: AN4 and AN5
				110: AN6	110: AN4 to AN6
				111: AN7	111: AN4 to AN7

- Notes:
- 1 Only 0 for clearing the flag can be written.
  - 2 AN0 and AN1 are not implemented in the HD64F2280RB. Care is therefore essential when using them. If the value of SCAN is 1 and the setting of these bits is 010 or 011, the conversion data stored in ADDRA and ADDR B will become undefined.

### 12.3.3 A/D Control Register (ADCR)

ADCR enables A/D conversion started by an external trigger signal.

Bit	Bit Name	Initial Value	R/W	Description
7	TRGS1	0	R/W	Timer Trigger Select 0 and 1
6	TRGS0	0	R/W	Enables the start of A/D conversion by a trigger signal. Only set bits TRGS0 and TRGS1 while conversion is stopped (ADST = 0). 00: A/D conversion start by software is enabled 01: A/D conversion start by TPU conversion start trigger is enabled 10: Setting prohibited 11: A/D conversion start by external trigger pin (ADTRG) is enabled
5, 4	—	All 1	—	Reserved These bits are always read as 1.
3	CKS1	0	R/W	Clock Select 0 and 1
2	CKS0	0	R/W	These bits specify the A/D conversion time. The conversion time should be changed only when ADST = 0. Specify a setting that gives a value within the range shown in table 22.7. 00: Conversion time = 530 states (max.) 01: Conversion time = 266 states (max.) 10: Conversion time = 134 states (max.) 11: Conversion time = 68 states (max.)
1, 0	—	All 1	—	Reserved These bits are always read as 1.

## 12.4 Operation

The A/D converter operates by successive approximation with 10-bit resolution. It has two operating modes; single mode and scan mode. When changing the operating mode or analog input channel, in order to prevent incorrect operation, first clear the bit ADST to 0 in ADCSR. The ADST bit can be set at the same time as the operating mode or analog input channel is changed.

### 12.4.1 Single Mode

In single mode, A/D conversion is to be performed only once on the specified single channel. The operations are as follows.

1. A/D conversion is started when the ADST bit is set to 1, according to software or external trigger input.
2. When A/D conversion is completed, the result is transferred to the corresponding A/D data register to the channel.
3. On completion of conversion, the ADF bit in ADCSR is set to 1. If the ADIE bit is set to 1 at this time, an ADI interrupt request is generated.
4. The ADST bit remains set to 1 during A/D conversion. When A/D conversion ends, the ADST bit is automatically cleared to 0 and the A/D converter enters the wait state.

### 12.4.2 Scan Mode

In scan mode, A/D conversion is to be performed sequentially on the specified channels (four channels maximum). The operations are as follows.

1. When the ADST bit is set to 1 by software, TPU or external trigger input, A/D conversion starts on the first channel in the group (AN0 when CH2 = 0 or AN4 when CH2 = 1).
2. When A/D conversion for each channel is completed, the result is sequentially transferred to the A/D data register corresponding to each channel.
3. When conversion of all the selected channels is completed, the ADF flag is set to 1. If the ADIE bit is set to 1 at this time, an ADI interrupt is requested after A/D conversion ends. Conversion of the first channel in the group starts again.
4. Steps [2] and [3] are repeated as long as the ADST bit remains set to 1. When the ADST bit is cleared to 0, A/D conversion stops and the A/D converter enters the wait state.

### 12.4.3 Input Sampling and A/D Conversion Time

The A/D converter has a built-in sample-and-hold circuit. The A/D converter samples the analog input when the A/D conversion start delay time ( $t_D$ ) has passed after the ADST bit is set to 1, then starts conversion. Figure 12.2 shows the A/D conversion timing. Table 12.3 shows the A/D conversion time.

As indicated in figure 12.2, the A/D conversion time ( $t_{CONV}$ ) includes  $t_D$  and the input sampling time ( $t_{SPL}$ ). The length of  $t_D$  varies depending on the timing of the write access to ADCSR. The total conversion time therefore varies within the ranges indicated in table 12.3.

In scan mode, the values given in table 12.3 apply to the first conversion time. The values given in table 12.4 apply to the second and subsequent conversions. In both cases, set bits CKS1 and CKS0 in ADCR to give an A/D conversion time within the range shown in table 22.7.

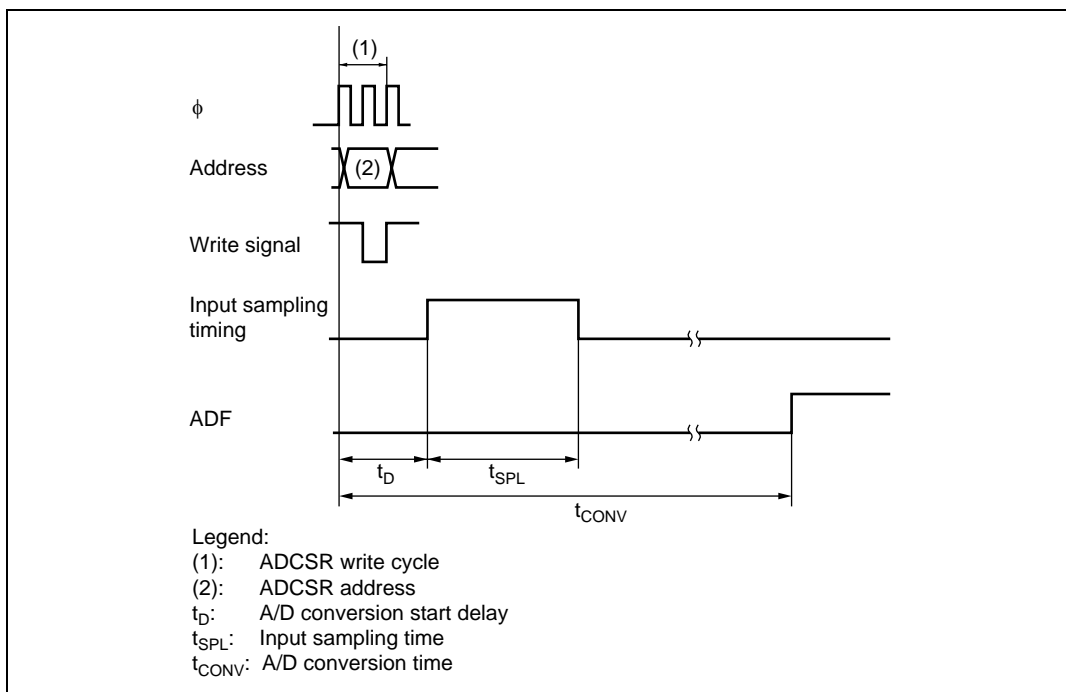


Figure 12.2 A/D Conversion Timing

**Table 12.3 A/D Conversion Time (Single Mode)**

Item	Symbol	CKS1 = 0						CKS1 = 1					
		CKS0 = 0			CKS0 = 1			CKS0 = 0			CKS0 = 1		
		Min	Typ	Max	Min	Typ	Max	Min	Typ	Max	Min	Typ	Max
A/D conversion start delay	$t_D$	18	—	33	10	—	17	6	—	9	4	—	5
Input sampling time	$t_{SPL}$	—	127	—	—	63	—	—	31	—	—	15	—
A/D conversion time	$t_{CONV}$	515	—	530	259	—	266	131	—	134	67	—	68

Note: All values represent the number of states.

**Table 12.4 A/D Conversion Time (Scan Mode)**

CKS1	CKS0	Conversion Time (State)
0	0	512 (Fixed)
	1	256 (Fixed)
1	0	128 (Fixed)
	1	64 (Fixed)



## 12.4.4 External Trigger Input Timing

A/D conversion can be externally triggered. When the TRGS0 and TRGS1 bits are set to 11 in ADCR, external trigger input is enabled at the  $\overline{\text{ADTRG}}$  pin. A falling edge at the  $\overline{\text{ADTRG}}$  pin sets the ADST bit to 1 in ADCSR, starting A/D conversion. Other operations, in both single and scan modes, are the same as when the bit ADST has been set to 1 by software. Figure 12.3 shows the timing.

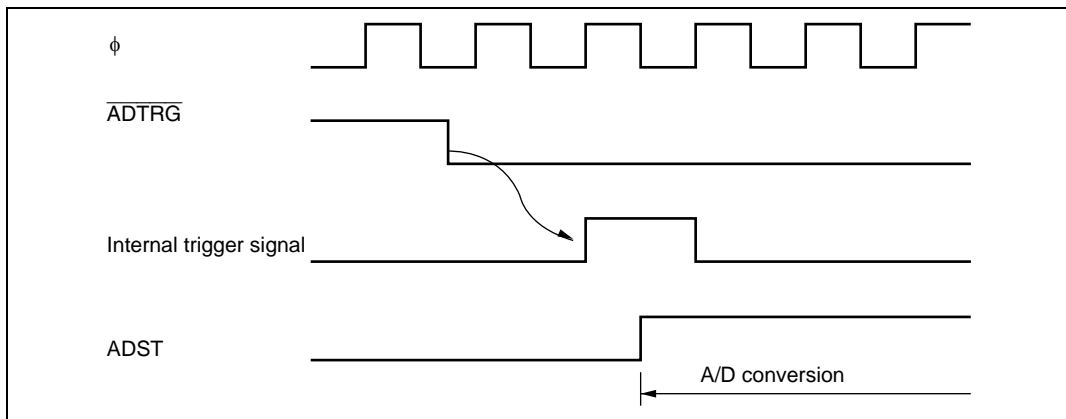


Figure 12.3 External Trigger Input Timing

## 12.5 Interrupts

The A/D converter generates an A/D conversion end interrupt (ADI) at the end of A/D conversion. Setting the ADIE bit to 1 enables ADI interrupt requests while the bit ADF in ADCSR is set to 1 after A/D conversion is completed.

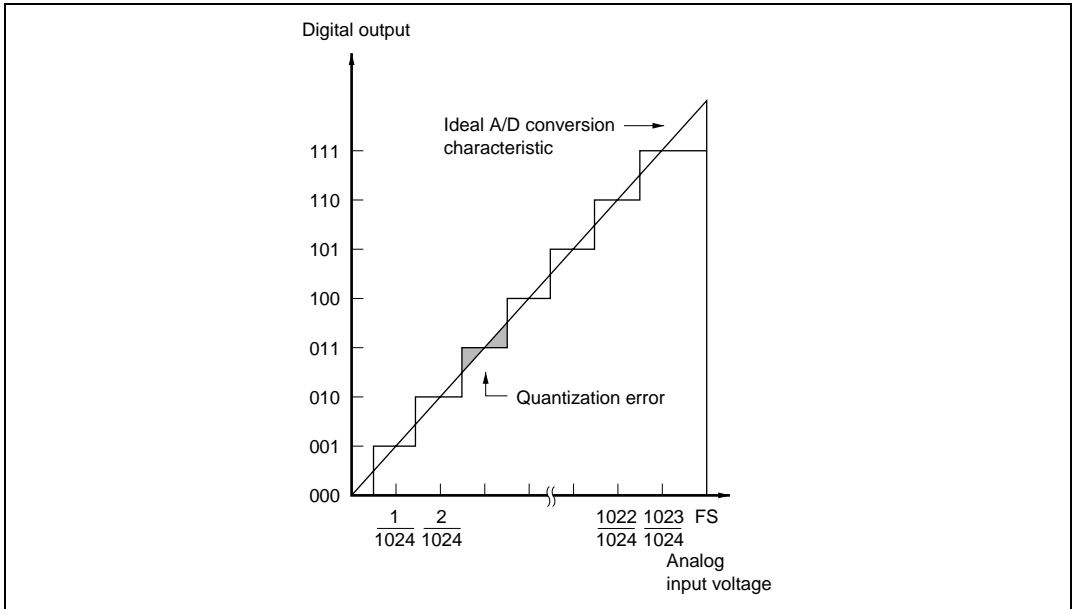
Table 12.5 A/D Converter Interrupt Source

Name	Interrupt Source	Interrupt Source Flag
ADI	A/D conversion completed	ADF

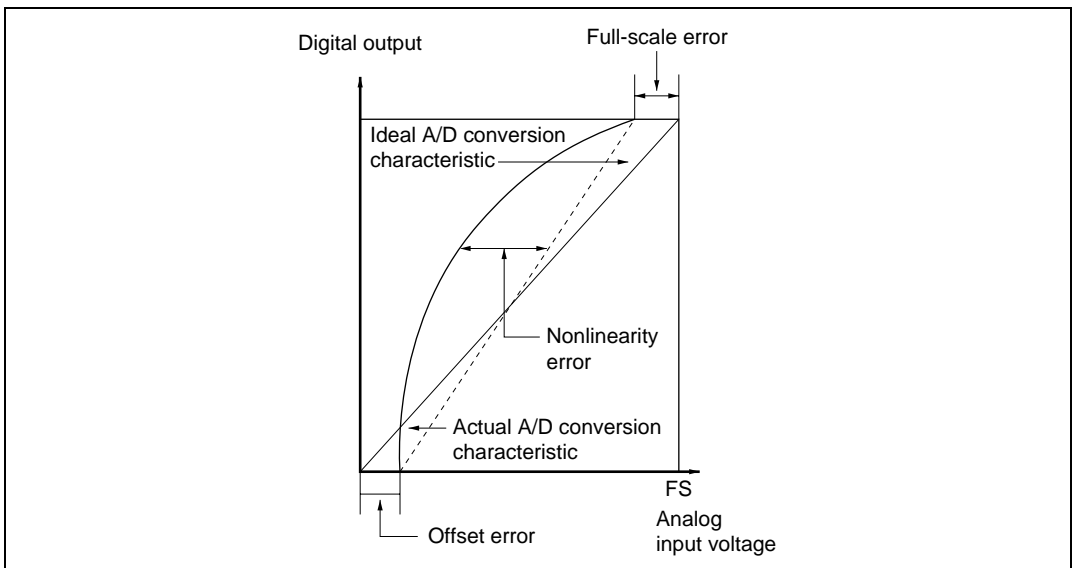
## 12.6 A/D Conversion Precision Definitions

This LSI's A/D conversion precision definitions are given below.

- Resolution  
The number of A/D converter digital output codes
- Quantization error  
The deviation inherent in the A/D converter, given by 1/2 LSB (see figure 12.4).
- Offset error  
The deviation of the analog input voltage value from the ideal A/D conversion characteristic when the digital output changes from the minimum voltage value B'000000000 (H'000) to B'000000001 (H'001) (see figure 12.5).
- Full-scale error  
The deviation of the analog input voltage value from the ideal A/D conversion characteristic when the digital output changes from B'111111110 (H'3FE) to B'111111111 (H'3FF) (see figure 12.5).
- Nonlinearity error  
The error with respect to the ideal A/D conversion characteristic between zero voltage and full-scale voltage. Does not include offset error, full-scale error, or quantization error (see figure 12.5).
- Absolute precision  
The deviation between the digital value and the analog input value. Includes offset error, full-scale error, quantization error, and nonlinearity error.



**Figure 12.4 A/D Conversion Precision Definitions**



**Figure 12.5 A/D Conversion Precision Definitions**

## 12.7 Usage Notes

### 12.7.1 Module Stop Mode Setting

Operation of the A/D converter can be disabled or enabled using the module stop control register. The initial setting is for operation of the A/D converter to be halted. Register access is enabled by clearing module stop mode. For details, see section 20, Power-Down Modes.

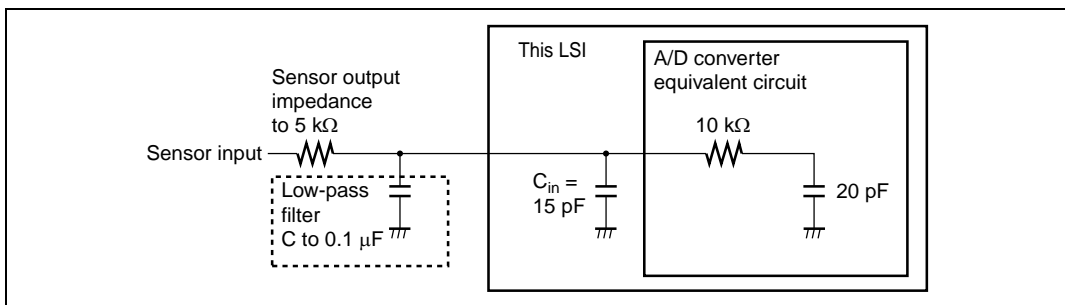
### 12.7.2 Permissible Signal Source Impedance

This LSI's analog input is designed such that conversion precision is guaranteed for an input signal for which the signal source impedance is  $10\text{ k}\Omega$  or less. This specification is provided to enable the A/D converter's sample-and-hold circuit input capacitance to be charged within the sampling time; if the sensor output impedance exceeds  $10\text{ k}\Omega$ , charging may be insufficient and it may not be possible to guarantee A/D conversion precision. However, for A/D conversion in single mode with a large capacitance provided externally, the input load will essentially comprise only the internal input resistance of  $10\text{ k}\Omega$ , and the signal source impedance is ignored. However, as a low-pass filter effect is obtained in this case, it may not be possible to follow an analog signal with a large differential coefficient (e.g.,  $5\text{ mV}/\mu\text{s}$  or greater) (see figure 12.6). When converting a high-speed analog signal, a low-impedance buffer should be inserted.

### 12.7.3 Influences on Absolute Precision

Adding capacitance results in coupling with GND, and therefore noise in GND may adversely affect absolute precision. Be sure to make the connection to an electrically stable GND such as AVss.

Care is also required to insure that filter circuits do not communicate with digital signals on the mounting board (i.e. acting as antennas).



**Figure 12.6 Example of Analog Input Circuit**

### 12.7.4 Range of Analog Power Supply and Other Pin Settings

If the conditions below are not met, the reliability of the device may be adversely affected.

- Analog input voltage range  
The voltage applied to analog input pin ANn during A/D conversion should be in the range  $AV_{SS} \leq ANn \leq AV_{CC}$ .
- Relationship between  $AV_{CC}$ ,  $AV_{SS}$  and  $V_{CC}$ ,  $V_{SS}$   
Set  $AV_{SS} = V_{SS}$  as the relationship between  $AV_{SS}$  and  $V_{SS}$ . If the A/D converter is not used, set  $AV_{CC} = V_{CC}$  as the relationship between  $AV_{CC}$  and  $V_{CC}$ , and the  $AV_{CC}$  and  $AV_{SS}$  pins must not be left open.

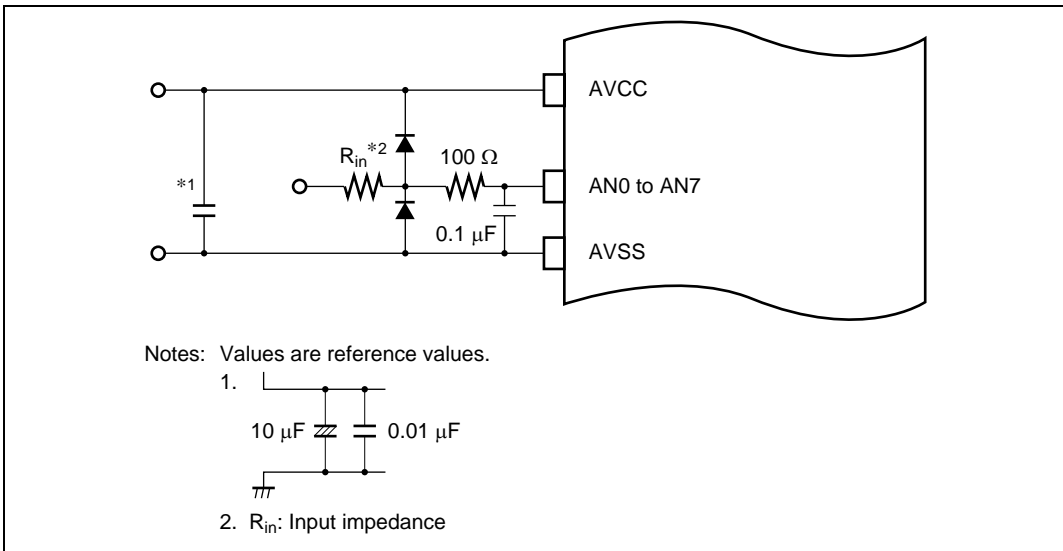
### 12.7.5 Notes on Board Design

In board design, digital circuitry and analog circuitry should be as mutually isolated as possible, and layout in which digital circuit signal lines and analog circuit signal lines cross or are in close proximity should be avoided as far as possible. Failure to do so may result in incorrect operation of the analog circuitry due to inductance, adversely affecting A/D conversion values. Also, digital circuitry must be isolated from the analog input signals (AN0 to AN7), and analog power supply ( $AV_{CC}$ ) by the analog ground ( $AV_{SS}$ ). Also, the analog ground ( $AV_{SS}$ ) should be connected at one point to a stable digital ground ( $V_{SS}$ ) on the board.

### 12.7.6 Notes on Noise Countermeasures

A protection circuit should be connected in order to prevent damage due to abnormal voltage, such as an excessive surge at the analog input pins (AN0 to AN7), between  $AV_{CC}$  and  $AV_{SS}$ , as shown in figure 12.7. Also, the bypass capacitors connected to  $AV_{CC}$  and the filter capacitor connected to AN0 to AN7 must be connected to  $AV_{SS}$ .

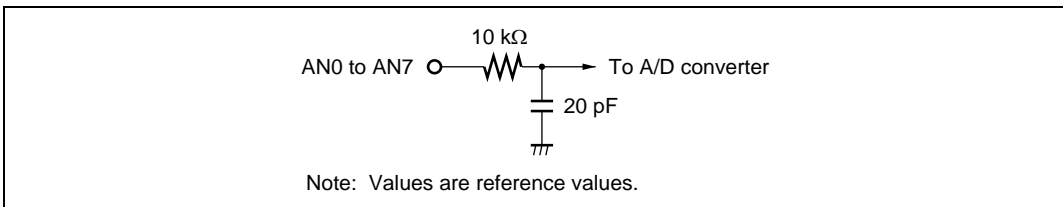
If a filter capacitor is connected, the input currents at the analog input pins (AN0 to AN7) are averaged, and so an error may arise. Also, when A/D conversion is performed frequently, as in scan mode, if the current charged and discharged by the capacitance of the sample-and-hold circuit in the A/D converter exceeds the current input via the input impedance ( $R_{in}$ ), an error will arise in the analog input pin voltage. Careful consideration is therefore required when deciding circuit constants.



**Figure 12.7** Example of Analog Input Protection Circuit

**Table 12.6** Analog Pin Specifications

Item	Min.	Max.	Unit
Analog input capacitance	—	20	pF
Permissible signal source impedance	—	5	kΩ



**Figure 12.8** Analog Input Pin Equivalent Circuit

## Section 13 Motor Control PWM Timer (PWM)

This LSI has an on-chip motor control PWM (pulse width modulator) with a maximum capability of 16 pulse outputs.

### 13.1 Features

- Maximum of 16 pulse outputs
  - Two 10-bit PWM channels, each with eight outputs.
  - Each channel is provided with a 10-bit counter (PWCNT) and cycle register (PWCYR).
  - Duty and output polarity can be set for each output.
- Buffered duty registers
  - Duty registers (PWDTR) are provided with buffer registers (PWBFR), with data transferred automatically every cycle.
  - Channel 1 has four duty registers and four buffer registers.
  - Channel 2 has eight duty registers and four buffer registers.
- 0% to 100% duty
- Five operating clocks
  - There is a choice of five operating clocks ( $\phi$ ,  $\phi/2$ ,  $\phi/4$ ,  $\phi/8$ ,  $\phi/16$ ).
- On-chip output driver
- High-speed access is possible via a 16-bit bus interface
- Two interrupt sources
  - An interrupt can be requested independently for each channel by a cycle register compare match.
- Module stop mode can be set

Figure 13.1 shows a block diagram of PWM channel 1 and figure 13.2 shows a block diagram of PWM channel 2.

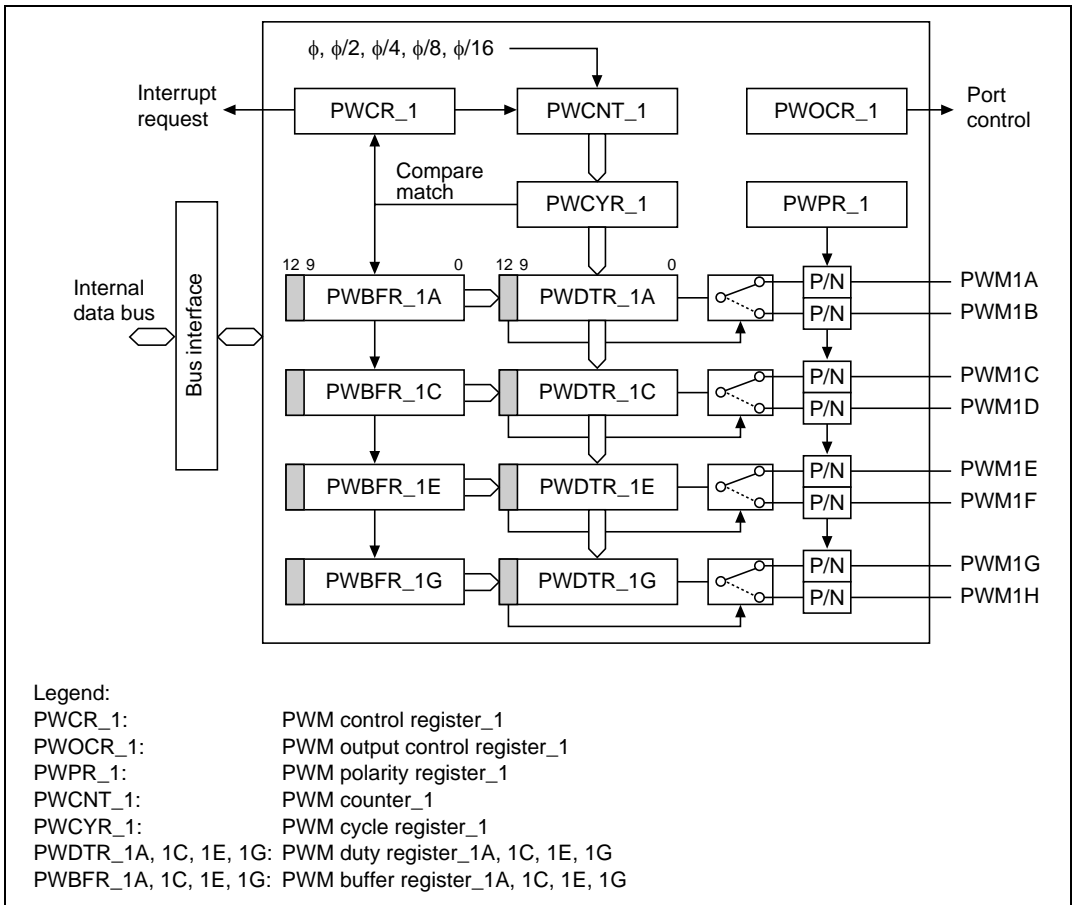
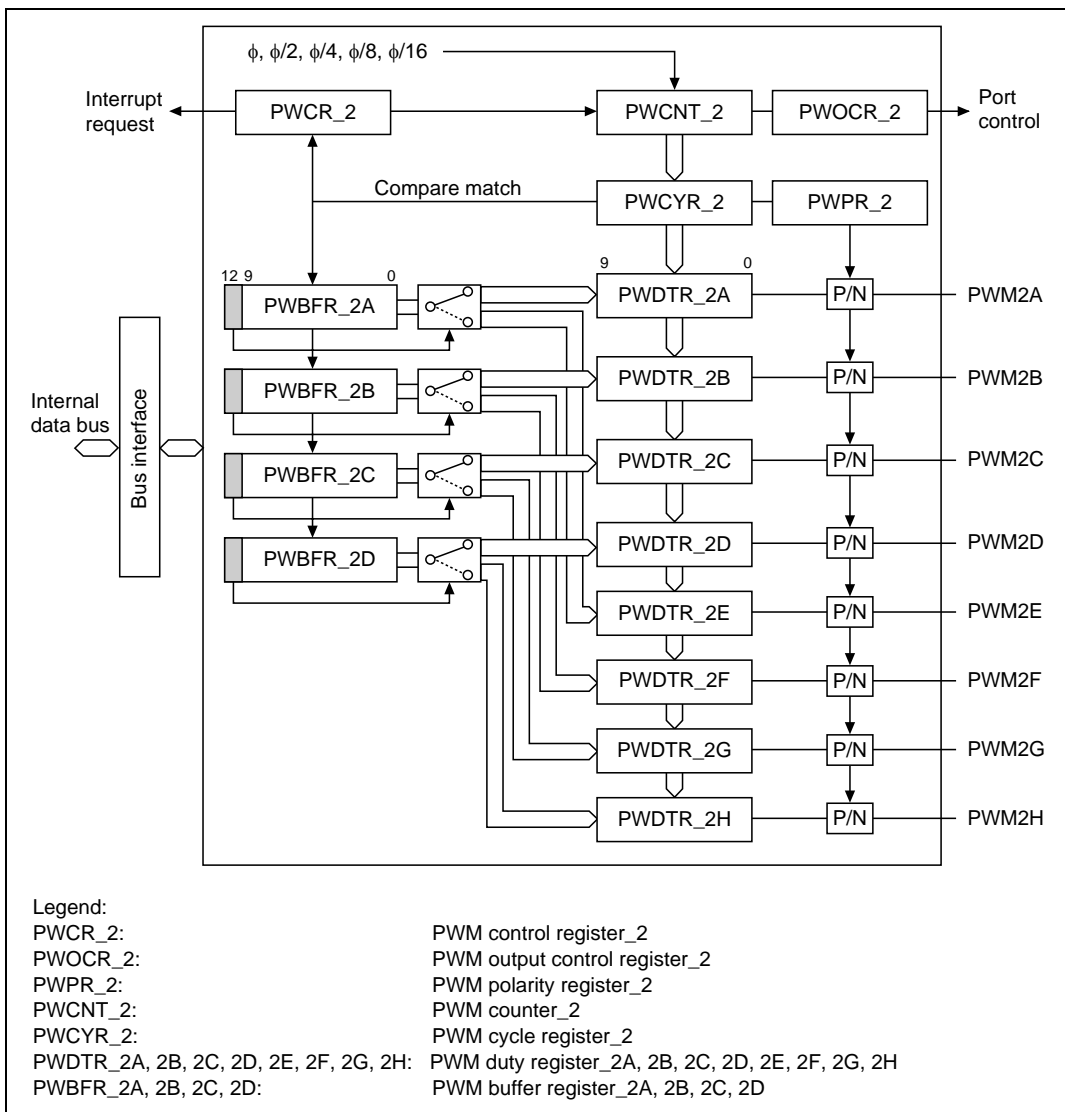


Figure 13.1 Block Diagram of PWM Channel 1





**Figure 13.2 Block Diagram of PWM Channel 2**

## 13.2 Input/Output Pins

Table 13.1 shows the PWM pin configuration.

**Table 13.1 Pin Configuration**

<b>Name</b>	<b>Abbrev.</b>	<b>I/O</b>	<b>Function</b>
PWM output pin 1A	PWM1A	Output	Channel 1A PWM output
PWM output pin 1B	PWM1B	Output	Channel 1B PWM output
PWM output pin 1C	PWM1C	Output	Channel 1C PWM output
PWM output pin 1D	PWM1D	Output	Channel 1D PWM output
PWM output pin 1E	PWM1E	Output	Channel 1E PWM output
PWM output pin 1F	PWM1F	Output	Channel 1F PWM output
PWM output pin 1G	PWM1G	Output	Channel 1G PWM output
PWM output pin 1H	PWM1H	Output	Channel 1H PWM output
PWM output pin 2A	PWM2A	Output	Channel 2A PWM output
PWM output pin 2B	PWM2B	Output	Channel 2B PWM output
PWM output pin 2C	PWM2C	Output	Channel 2C PWM output
PWM output pin 2D	PWM2D	Output	Channel 2D PWM output
PWM output pin 2E	PWM2E	Output	Channel 2E PWM output
PWM output pin 2F	PWM2F	Output	Channel 2F PWM output
PWM output pin 2G	PWM2G	Output	Channel 2G PWM output
PWM output pin 2H	PWM2H	Output	Channel 2H PWM output

### 13.3 Register Descriptions

The PWM has the following registers. For details on module stop control registers, see section 20.1.3, Module Stop Control Registers A to D (MSTPCRA to MSTPCRD).

- PWM control register\_1, 2 (PWCR\_1, PWCR\_2)
- PWM output control register\_1, 2 (PWOCR\_1, PWOCR\_2)
- PWM polarity register\_1, 2 (PWPR\_1, PWPR\_2)
- PWM counter\_1, 2 (PWCNT\_1, PWCNT\_2)
- PWM cycle register\_1,2 (PWCYR\_1, PWCYR\_2)
- PWM duty register\_1A, 1C, 1E, 1G (PWDTR\_1A, PWDTR\_1C, PWDTR\_1E, PWDTR\_1G)
- PWM buffer register\_1A, 1C, 1E, 1G (PWBFR\_1A, PWBFR\_1C, PWBFR\_1E, PWBFR\_1G)
- PWM duty register\_2A to 2H (PWDTR\_2A to PWDTRv2H)
- PWM buffer register\_2A to 2D (PWBFR\_2A to PWBFR\_2D)

### 13.3.1 PWM Control Register\_1, 2 (PWCR\_1, PWCR\_2)

PWCR performs interrupt control, starting/stopping of the counter, and counter clock selection. It also contains a flag that indicates a compare match with PWCYR.

Bit	Bit Name	Initial Value	R/W	Reserved
7, 6	—	All 1	—	Reserved Bits 7 and 6 are reserved; they are always read as 1 and cannot be modified.
5	IE	0	R/W	Interrupt Enable Bit 5 enables or disables an interrupt request in the event of a compare match with PWCYR. 0: Interrupt disabled 1: Interrupt enabled
4	CMF	0	R/(W)*	Compare Match Flag Bit 4 indicates the occurrence of a compare match with PWCYR. [Setting condition] When PWCNT = PWCYR [Clearing condition] When 0 is written to CMF after reading CMF = 1
3	CST	0	R/W	Counter Start Bit 3 selects starting or stopping of PWCNT. 0: PWCNT is stopped 1: PWCNT is started
2	CKS2	0	R/W	Clock Select
1	CKS1	0	R/W	Bits 2 to 0 select the operating clock for PWCNT.
0	CKS0	0	R/W	000: Counts on $\phi/1$ 001: Counts on $\phi/2$ 010: Counts on $\phi/4$ 011: Counts on $\phi/8$ 1xx: Counts on $\phi/16$

Legend:

x: Don't care

Note: \* Only 0 can be written to clear the flag.

### 13.3.2 PWM Output Control Register\_1, 2 (PWOCR\_1, PWOCR\_2)

PWOCR enables or disables PWM output. PWOCR\_1 controls outputs PWM1H to PWM1A, and PWOCR\_2 controls outputs PWM2H to PWM2A.

- PWOCR\_1

Bit	Bit Name	Initial Value	R/W	Reserved
7	OE1H	0	R/W	Output Enable
6	OE1G	0	R/W	Each of these bits enables or disables the corresponding PWM1H to PWM1A output.
5	OE1F	0	R/W	
4	OE1E	0	R/W	0: PWM output is disabled.
3	OE1D	0	R/W	1: PWM output is enabled.
2	OE1C	0	R/W	
1	OE1B	0	R/W	
0	OE1A	0	R/W	

- PWOCR\_2

Bit	Bit Name	Initial Value	R/W	Reserved
7	OE2H	0	R/W	Output Enable
6	OE2G	0	R/W	Each of these bits enables or disables the corresponding PWM2H to PWM2A output.
5	OE2F	0	R/W	
4	OE2E	0	R/W	0: PWM output is disabled.
3	OE2D	0	R/W	1: PWM output is enabled.
2	OE2C	0	R/W	
1	OE2B	0	R/W	
0	OE2A	0	R/W	

### 13.3.3 PWM Polarity Register\_1, 2 (PWPR\_1, PWPR\_2)

PWPR selects the PWM output polarity. PWPR\_1 controls outputs PWM1H to PWM1A, and PWPR\_2 controls outputs PWM2H to PWM2A.

- PWPR\_1

Bit	Bit Name	Initial Value	R/W	Reserved
7	OPS1H	0	R/W	Polarity Select
6	OPS1G	0	R/W	Each of these bits selects the output polarity to PWM1H to PWM1A.
5	OPS1F	0	R/W	
4	OPS1E	0	R/W	0: PWM direct output.
3	OPS1D	0	R/W	1: PWM inverse output.
2	OPS1C	0	R/W	
1	OPS1B	0	R/W	
0	OPS1A	0	R/W	

- PWPR\_2

Bit	Bit Name	Initial Value	R/W	Reserved
7	OPS2H	0	R/W	Polarity Select
6	OPS2G	0	R/W	Each of these bits selects the output polarity to PWM2H to PWM2A.
5	OPS2F	0	R/W	
4	OPS2E	0	R/W	0: PWM direct output.
3	OPS2D	0	R/W	1: PWM inverse output.
2	OPS2C	0	R/W	
1	OPS2B	0	R/W	
0	OPS2A	0	R/W	

### 13.3.4 PWM Counter\_1, 2 (PWCNT\_1, PWCNT\_2)

PWCNT is a 10-bit up-counter incremented by the input clock. The input clock is selected by clock select bits CKS2 to CKS0 in PWCR.

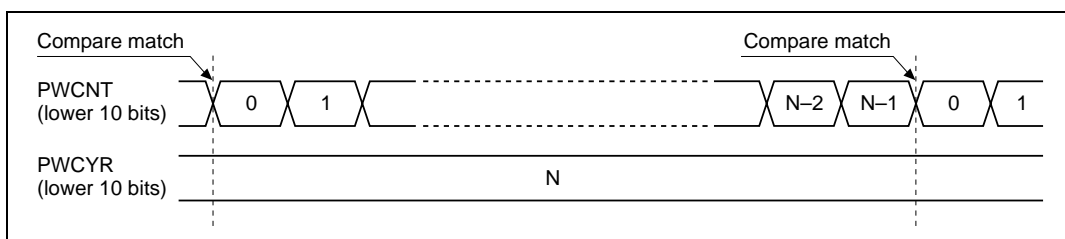
PWCNT\_1 and PWCNT\_2 are used as the time base for channel 1 and channel 2 respectively.

PWCNT is initialized when the CST in PWCR is cleared to 0, and also upon reset and in standby mode, watch mode, subactive mode, subsleep mode, and module stop mode. PWCNT is initialized to H'FC00.

### 13.3.5 PWM Cycle Register\_1, 2 (PWCYR\_1, PWCYR\_2)

PWCYR is a 16-bit read/write register that sets the PWM conversion cycle. When a PWCYR compare match occurs, PWCNT is cleared and data is transferred from the buffer register (PWBFR) to the duty register (PWDTR). PWCYR\_1 and PWCYR\_2 are used for conversion cycle setting for the channel 1 and channel 2 respectively.

PWCYR should be written to only while PWCNT is stopped. A value of H'FC00 must not be set. PWCYR is initialized to H'FFFF upon reset. Figure 13.3 shows the compare match of the cycle registers.



**Figure 13.3 Cycle Register Compare Match**

### 13.3.6 PWM Duty Register\_1A, 1C, 1E, 1G (PWDTR\_1A, PWDTR\_1C, PWDTR\_1E, PWDTR\_1G)

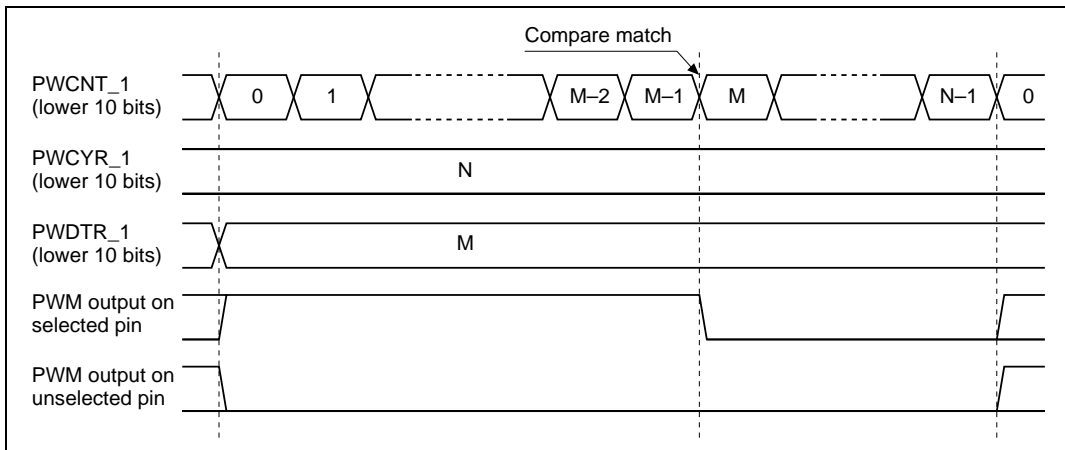
There are four PWDTR\_1 registers. The PWM output is determined by the value of the OTS bit, and PWDTR\_1A is used for outputs PWM1A and PWM1B, PWDTR\_1C for outputs PWM1C and PWM1D, PWDTR\_1E for outputs PWM1E and PWM1F, and PWDTR\_1G for outputs PWM1G and PWM1H.

The PWDTR\_1 registers cannot be read from or written to directly. When a PWCYR\_1 compare match occurs, data is transferred from buffer register 1 (PWBFR\_1) to PWDTR\_1.

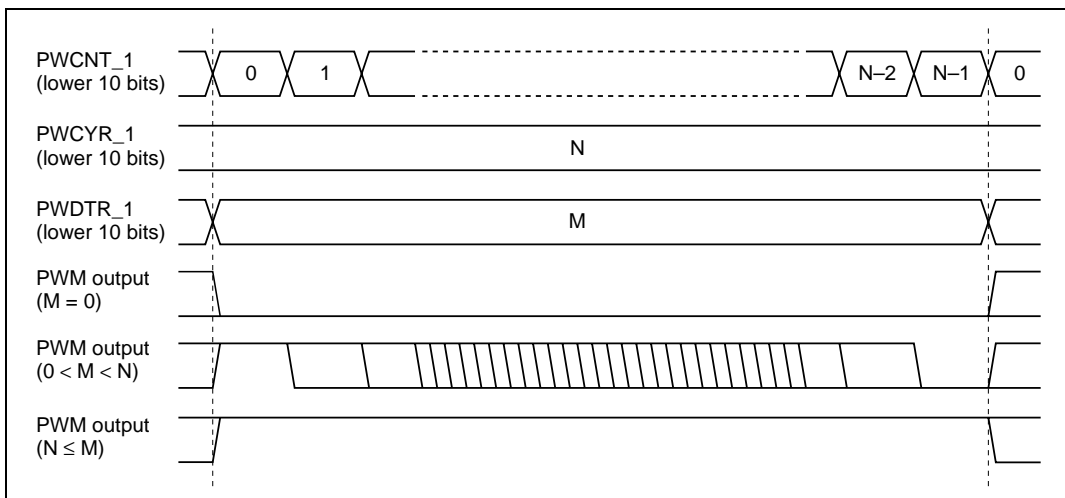
The PWDTR\_1 registers are initialized when the CST bit in PWCR\_1 is cleared to 0, and also upon reset and in standby mode and module stop mode.

Bit	Bit Name	Initial Value	R/W	Reserved
15 to 13	—	All 1	—	Reserved These bits cannot be read from or written to.
12	OTS	0	—	Output Terminal Select Bit 12 indicates the value in bit 12 of PWBFR_1 sent by a PWCYR_1 compare match, and selects the pin used for PWM output. Unselected pins output a low level (or a high level when the corresponding bit in PWPR_1 is set to 1). PWDTR_1A register 0: PWM1A output selected 1: PWM1B output selected PWDTR_1C 0: PWM1C output selected 1: PWM1D output selected PWDTR_1E 0: PWM1E output selected 1: PWM1F output selected PWDTR_1G 0: PWM1G output selected 1: PWM1H output selected
11, 10	—	All 1	—	Reserved These bits are always read as 1 and cannot be modified.
9	DT9	0	—	Duty
8	DT8	0	—	Bits 9 to 0 indicate the data in bits 9 to 0 of PWBFR_1 sent by a PWCYR_1 compare match, and specify the PWM output duty. A high level (or a low level when the corresponding bit in PWPR_1 is set to 1) is output from the time PWCNT_1 is cleared by a PWCYR_1 compare match until a PWDTR_1 compare match occurs. When all of the bits are 0, there is no high-level (or low-level when the corresponding bit in PWPR_1 is set to 1) output period.
7	DT7	0	—	
6	DT6	0	—	
5	DT5	0	—	
4	DT4	0	—	
3	DT3	0	—	
2	DT2	0	—	
1	DT1	0	—	
0	DT0	0	—	





**Figure 13.4 Duty Register Compare Match (OPS = 0 in PWPR\_1)**



**Figure 13.5 Differences in PWM Output According to Duty Register Set Value (OPS = 0 in PWPR\_1)**

### 13.3.7 PWM Buffer Register\_1A, 1C, 1E, 1G (PWBFR\_1A, PWBFR\_1C, PWBFR\_1E, PWBFR\_1G)

There are four PWBFR\_1 registers. When a PWCYR\_1 compare match occurs, data is transferred from PWBFR\_1A to PWDTR\_1A, from PWBFR\_1C to PWDTR\_1C, from PWBFR\_1E to PWDTR\_1E, and from PWBFR\_1G to PWDTR\_1G.

Bit	Bit Name	Initial Value	R/W	Reserved
15 to 13	—	All 1	—	Reserved These bits are always read as 1 and cannot be modified.
12	OTS	0	R/W	Output Terminal Select Bit 12 is the data sent to bit 12 of PWDTR_1.
11, 10	—	All 1	—	Reserved These bits are always read as 1 and cannot be modified.
9	DT9	0	R/W	Duty
8	DT8	0	R/W	Bits 9 to 0 comprise the data sent to bits 9 to 0 in PWDTR_1.
7	DT7	0	R/W	
6	DT6	0	R/W	
5	DT5	0	R/W	
4	DT4	0	R/W	
3	DT3	0	R/W	
2	DT2	0	R/W	
1	DT1	0	R/W	
0	DT0	0	R/W	

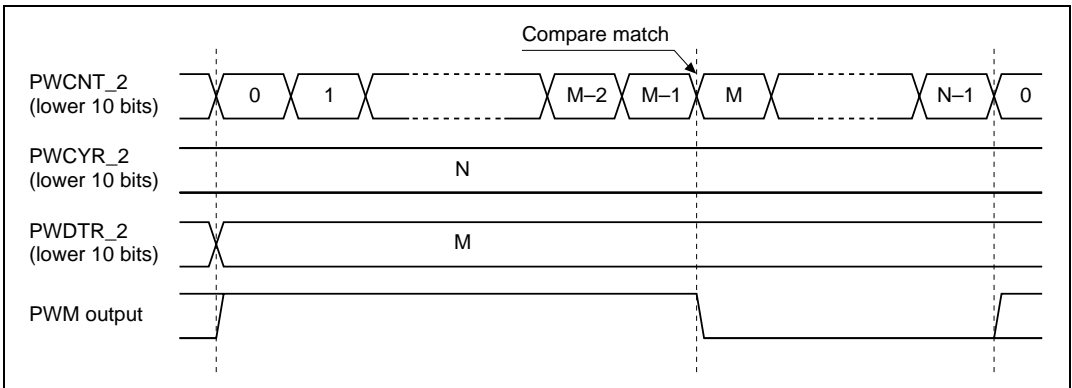
### 13.3.8 PWM Duty Register\_2A to 2H (PWDTR\_2A to PWDTR\_2H)

There are eight PWDTR\_2 registers. PWDTR\_2A is used for output PWM2A, PWDTR\_2B for output PWM2B, PWDTR\_2C for output PWM2C, PWDTR\_2D for output PWM2D, PWDTR\_2E for output PWM2E, PWDTR\_2F for output PWM2F, PWDTR\_2G for output PWM2G, and PWDTR\_2H for output PWM2H.

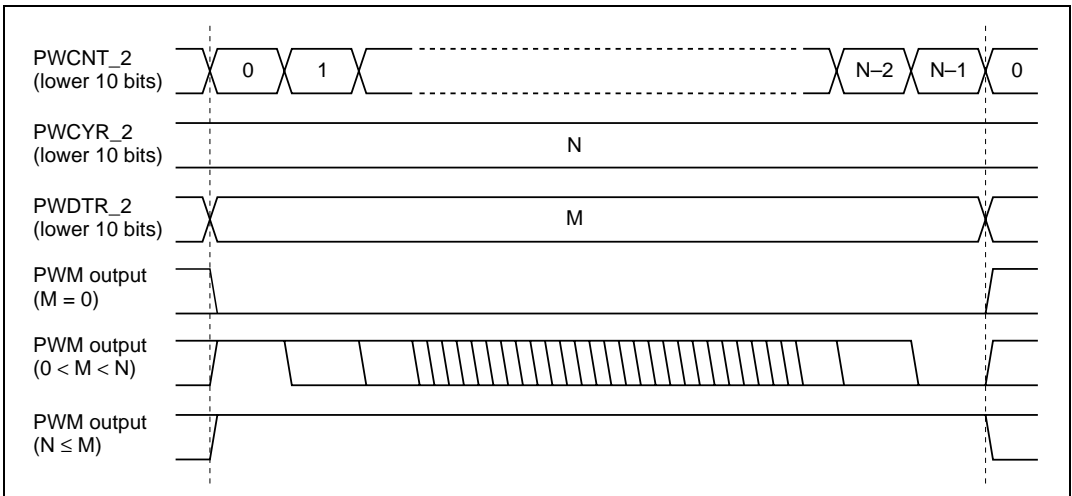
The PWDTR\_2 registers cannot be read from or written to directly. When a PWCYR\_2 compare match occurs, data is transferred from buffer register 2 (PWBFR\_2) to PWDTR\_2.

The PWDTR\_2 registers are initialized when the CST bit in PWCR\_2 is cleared to 0, and also upon reset and in standby mode and module stop mode.

Bit	Bit Name	Initial Value	R/W	Reserved
15 to 10	—	All 1	—	Reserved These bits cannot be read from or written to.
9	DT9	0	R/W	Duty
8	DT8	0	R/W	Bits 9 to 0 indicate the data in bits 9 to 0 of PWBFR_2 sent by a PWCYR_2 compare match, and specify the PWM output duty. A high level (or a low level when the corresponding bit in PWPR_2 is set to 1) is output from the time PWCNT_2 is cleared by a PWCYR_2 compare match until a PWDTR_2 compare match occurs. When all the bits are 0, there is no high-level (or low-level when the corresponding bit in PWPR_2 is set to 1) output period.
7	DT7	0	R/W	
6	DT6	0	R/W	
5	DT5	0	R/W	
4	DT4	0	R/W	
3	DT3	0	R/W	
2	DT2	0	R/W	
1	DT1	0	R/W	
0	DT0	0	R/W	



**Figure 13.6 Duty Register Compare Match (OPS = 0 in PWPR\_2)**



**Figure 13.7 Differences in PWM Output According to Duty Register Set Value (OPS = 0 in PWPR\_2)**

### 13.3.9 PWM Buffer Register\_2A to 2D (PWBFR2\_A to PWBFR\_2D)

There are four PWBFR\_2 registers. The transfer destination is determined by the value of the TDS bit, and when a PWCYR\_2 compare match occurs, data is transferred from PWBFR\_2A to PWDTR\_2A or PWDTR\_2E, from PWBFR\_2B to PWDTR\_2B or PWDTR\_2F, from PWBFR\_2C to PWDTR\_2C or PWDTR\_2G, and from PWBFR\_2D to PWDTR\_2D or PWDTR\_2H.

Bit	Bit Name	Initial Value	R/W	Reserved
15 to 13	—	All 1	—	Reserved These bits are always read as 1 and cannot be modified.
12	TDS	0	R/W	Transfer Destination Select Bit 12 selects the PWDTR_2 register to which data is to be transferred. PWBFR_2A 0: PWDTR_2A selected 1: PWDTR_2E selected PWBFR_2B 0: PWDTR_2B selected 1: PWDTR_2F selected PWBFR_2C 0: PWDTR_2C selected 1: PWDTR_2G selected PWBFR_2D 0: PWDTR_2D selected 1: PWDTR_2H selected
11, 10	—	All 1	—	Reserved These bits are always read as 1 and cannot be modified.
9	DT9	0	R/W	Duty
8	DT8	0	R/W	Bits 9 to 0 comprise the data sent to bits 9 to 0 in PWDTR_2.
7	DT7	0	R/W	
6	DT6	0	R/W	
5	DT5	0	R/W	
4	DT4	0	R/W	
3	DT3	0	R/W	
2	DT2	0	R/W	
1	DT1	0	R/W	
0	DT0	0	R/W	

## 13.4 Bus Master Interface

### 13.4.1 16-Bit Data Registers

PWCYR\_1, PWCYR\_2, PWBFR\_1A, PWBFR\_1C, PWBFR\_1E, PWBFR\_1G, and PWBFR\_2A to PWBFR\_2D are 16-bit registers. These registers are linked to the bus master by a 16-bit data bus, and can be read or written in 16-bit units. They cannot be read or written by 8-bit access; 16-bit access must always be used.

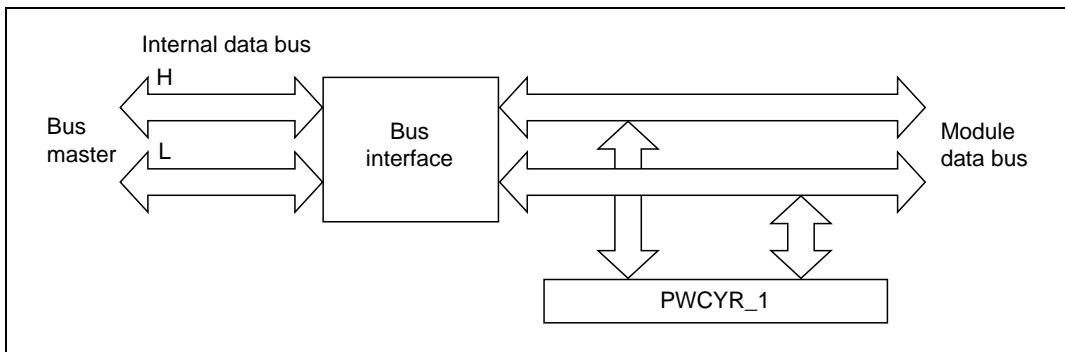


Figure 13.8 16-Bit Register Access Operation (Bus Master ↔ PWCYR\_1 (16 Bits))

### 13.4.2 8-Bit Data Registers

PWCR\_1, PWCR\_2, PWOCR\_1, PWOCR\_2, and PWPR\_1, PWPR\_2 are 8-bit registers that can be read and written in 8-bit units. These registers are linked to the bus master by a 16-bit data bus, and can be read or written by 16-bit access; in this case, the lower 8 bits are read as an undefined value.

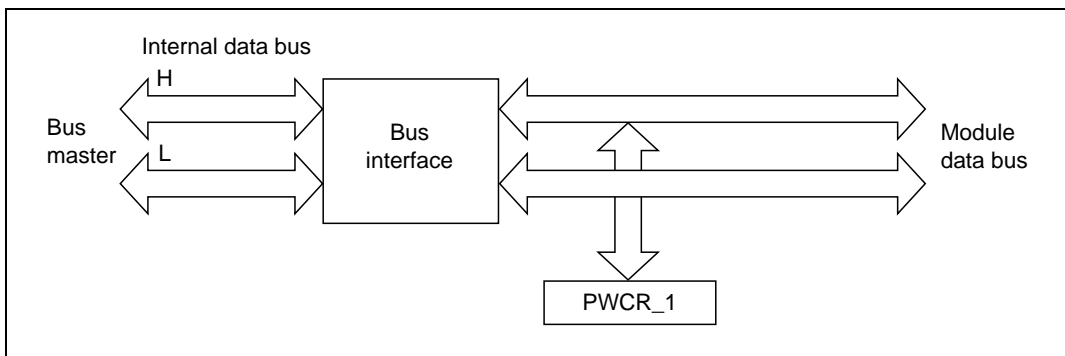


Figure 13.9 8-Bit Register Access Operation (Bus Master ↔ PWCR\_1 (Upper 8 Bits))

## 13.5 Operation

### 13.5.1 PWM Channel 1 Operation

PWM waveforms are output from pins PWM1A to PWM1H as shown in figure 13.10.

#### 1. Initial Settings

Set the PWM output polarity in PWPR\_1; enable the PWM1A to PWM1H pins for PWM output with PWOCR\_1; select the clock to be input to PWCNT\_1 with bits CKS2 to CKS0 in PWCR\_1; set the PWM conversion cycle in PWCYR\_1; and set the first frame of data in PWBFR\_1A, PWBFR\_1C, PWBFR\_1E, and PWBFR\_1G.

#### 2. Activation

When the CST bit in PWCR\_1 is set to 1, a compare match between PWCNT\_1 and PWCYR\_1 is generated. Data is transferred from PWBFR\_1A to PWDTR\_1A, from PWBFR\_1C to PWDTR\_1C, from PWBFR\_1E to PWDTR\_1E, and from PWBFR\_1G to PWDTR\_1G. PWCNT\_1 starts counting up. At the same time the CMF bit in PWCR\_1 is set, so that, if the IE bit in PWCR\_1 has been set, an interrupt can be requested.

#### 3. Waveform Output

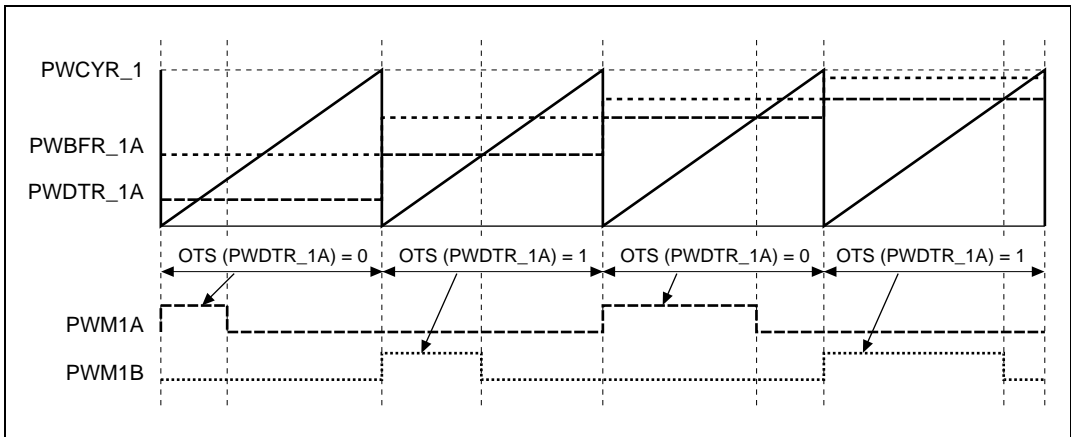
The PWM outputs selected by the OTS bits in PWDTR\_1A, PWDTR\_1C, PWDTR\_1E, and PWDTR\_1G go high when a compare match occurs between PWCNT\_1 and PWCYR\_1. The PWM outputs not selected are low. When a compare match occurs between PWCNT\_1 and PWDTR\_1A, PWDTR\_1C, PWDTR\_1E, PWDTR\_1G, the corresponding PWM output goes low. If the corresponding bit in PWPR\_1 is set to 1, the output is inverted.

#### 4. Next Frame

When a compare match occurs between PWCNT\_1 and PWCYR\_1, data is transferred from PWBFR\_1A to PWDTR\_1A, from PWBFR\_1C to PWDTR\_1C, from PWBFR\_1E to PWDTR\_1E, and from PWBFR\_1G to PWDTR\_1G. PWCNT\_1 is reset and starts counting up from H'000. The CMF bit in PWCR\_1 is set, and if the IE bit in PWCR\_1 has been set, an interrupt can be requested.

#### 5. Stopping

When the CST bit in PWCR\_1 is cleared to 0, PWCNT\_1 is reset and stops. All PWM outputs go low (or high if the corresponding bit in PWPR\_1 is set to 1).



**Figure 13.10 PWM Channel 1 Operation**

### 13.5.2 PWM Channel 2 Operation

PWM waveforms are output from pins PWM2A to PWM2H as shown in figure 13.11.

#### 1. Initial Settings

Set the PWM output polarity in PWPR\_2; enable the PWM2A to PWM2H pins for PWM output with PWOCR\_2; select the clock to be input to PWCNT\_2 with bits CKS2 to CKS0 in PWCR\_2; set the PWM conversion cycle in PWCYR\_2; and set the first frame of data in PWBFR\_2A, PWBFR\_2B, PWBFR\_2C, and PWBFR\_2D.

#### 2. Activation

When the CST bit in PWCR\_2 is set to 1, a compare match between PWCNT\_2 and PWCYR\_2 is generated. Data is transferred from PWBFR\_2A to PWDTR\_2A or PWDTR\_2E, from PWBFR\_2B to PWDTR\_2B or PWDTR\_2F, from PWBFR\_2C to PWDTR\_2C or PWDTR\_2G, and from PWBFR\_2D to PWDTR\_2D or PWDTR\_2H, according to the value of the TDS bit. PWCNT\_2 starts counting up. At the same time the CMF bit in PWCR\_2 is set, so that, if the IE bit in PWCR\_2 has been set, an interrupt can be requested.

#### 3. Waveform Output

The PWM outputs go high when a compare match occurs between PWCNT\_2 and PWCYR\_2. When a compare match occurs between PWCNT\_2 and PWDTR\_2A to PWDTR\_2H, the corresponding PWM output goes low. If the corresponding bit in PWPR\_2 is set to 1, the output is inverted.

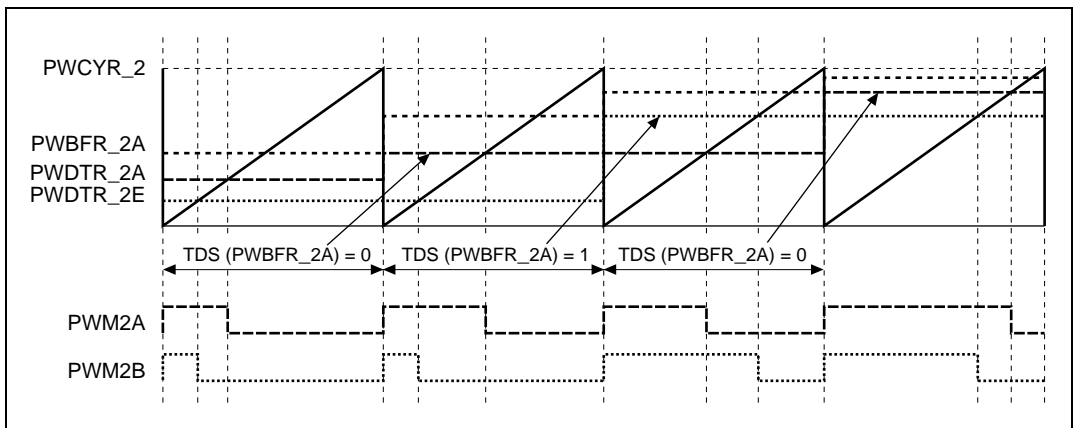


#### 4. Next Frame

When a compare match occurs between PWCNT\_2 and PWCYR\_2 data is transferred from PWBFR\_2A to PWDTR\_2A or PWDTR\_2E, from PWBFR\_2B to PWDTR\_2B or PWDTR\_2F, from PWBFR\_2C to PWDTR\_2C or PWDTR\_2G, and from PWBFR\_2D to PWDTR\_2D or PWDTR\_2H, according to the value of the TDS bit. PWCNT\_2 is reset and starts counting up from H'000. The CMF bit in PWCR\_2 is set, and if the IE bit in PWCR\_2 has been set, an interrupt can be requested.

#### 5. Stopping

When the CST bit in PWCR\_2 is cleared to 0, PWCNT\_2 is reset and stops. PWDTR\_2A to PWDTR\_2H are reset. All PWM outputs go low (or high if the corresponding bit in PWPR\_2 is set to 1).



**Figure 13.11 PWM Channel 2 Operation**

## 13.6 Interrupts

If the IE bit in PWCR is set to 1 when the CMF flag in PWCR is set to 1 by a compare match between PWCNT and PWCYR, an interrupt is requested. Table 13.2 shows the PWM interrupt sources.

**Table 13.2 PWM Interrupt Sources**

Name	Interrupt Source	Interrupt Flag
CM11	PWCYR_1 compare match	CMF
CM12	PWCYR_2 compare match	CMF

## 13.7 Usage Note

### Contention between Buffer Register Write and Compare Match

If a PWBFR write is performed in the state immediately after a cycle register compare match, the buffer register and duty register are overwritten. PWM output changed by the cycle register compare match is not changed in overwrite of the duty register due to contention. This may result in unanticipated duty output. In the case of channel 2, the duty register used as the transfer destination is selected by the TDS bit of the buffer register when an overwrite of the duty register occurs due to contention. This can also result in an unintended overwrite of the duty register. Buffer register rewriting must be completed before, exception handling due to a compare match interrupt, or the occurrence of a cycle register compare match on detection of the rise of the CMF flag in PWCR.

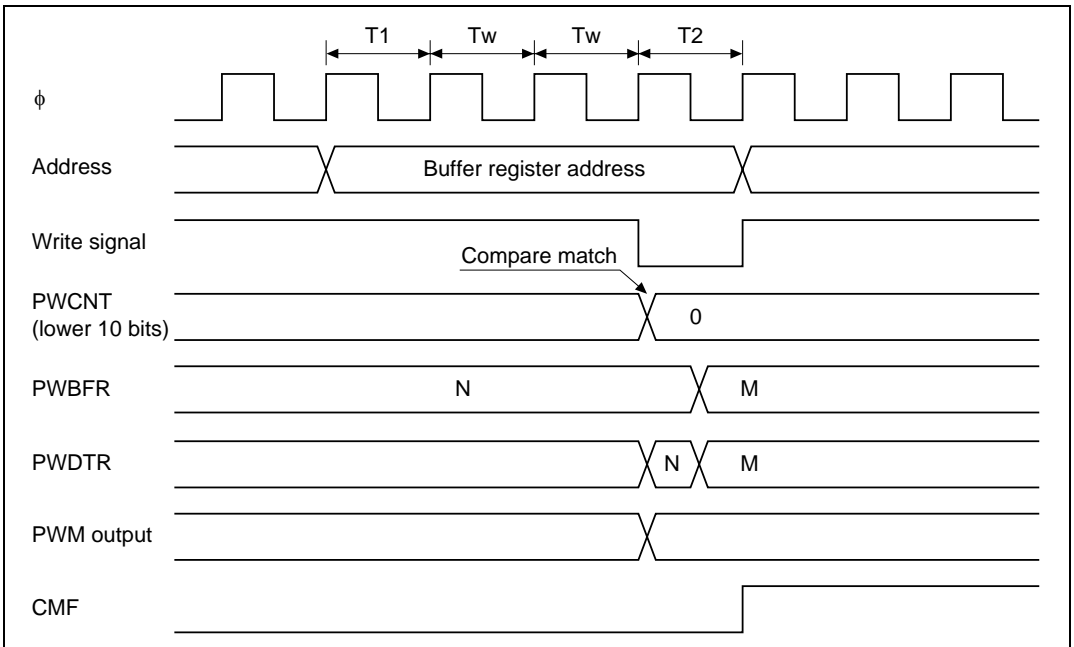


Figure 13.12 Contention between Buffer register Write and Compare Match

## Section 14 LCD Controller/Driver (LCD)

This LSI has an on-chip segment type LCD control circuit, LCD driver, and power supply circuit, enabling it to directly drive an LCD panel.

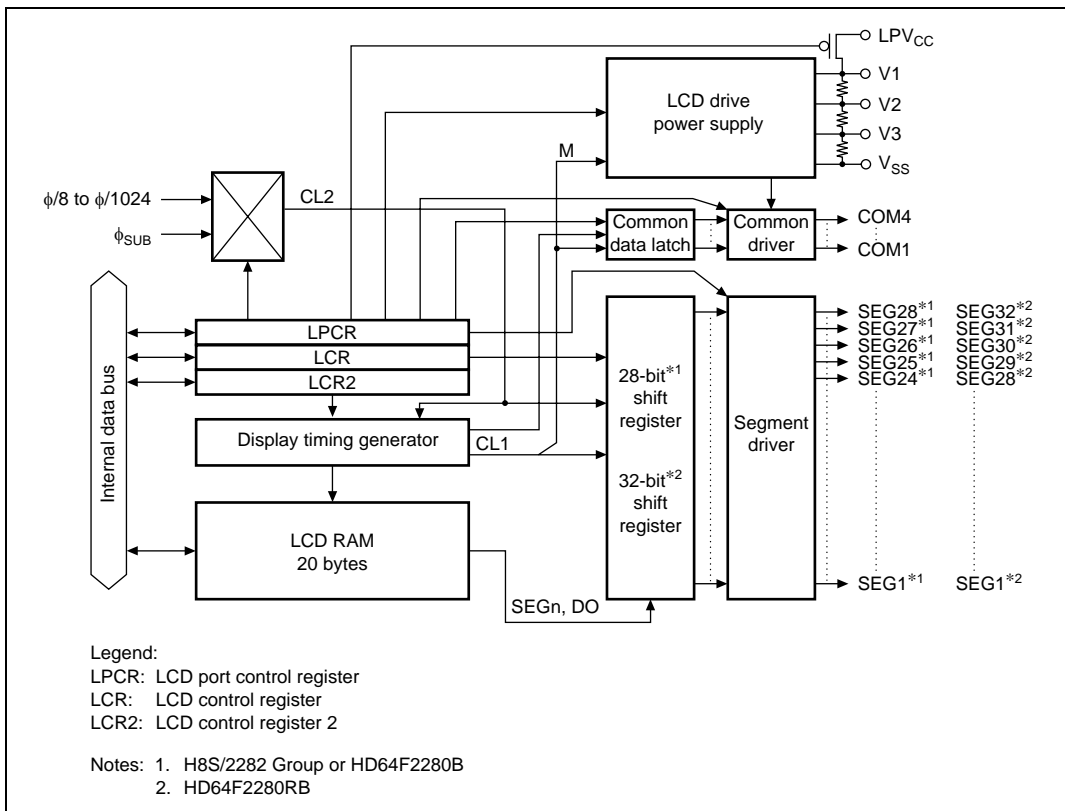
### 14.1 Features

- Display capacity

Duty Cycle	Internal Driver	
	H8S/2282 Group, HD64F2280B	HD64F2280RB
Static	28 SEG	32 SEG
1/3	28 SEG	32 SEG
1/4	28 SEG	32 SEG

- Display LCD RAM capacity
  - 8 bits × 20 bytes (160 bits)
  - Byte or word access to LCD RAM
- The segment output pins can be used as ports in groups of four.
- Common output pins not used because the duty cycle can be used for common double-buffering (parallel connection).
  - In static mode, parallel connection of COM1 and COM2, and of COM3 and COM4 can be used
- Choice of 11 frame frequencies
- A or B waveform selectable by software
- Built-in power supply split-resistance
- Display possible in operating modes other than standby mode and module stop mode

Figure 14.1 shows a block diagram of the LCD controller/driver.



**Figure 14.1 Block Diagram of LCD Controller/Driver**

## 14.2 Input/Output Pins

Table 14.1 shows the LCD controller/driver pin configuration.

**Table 14.1 Pin Configuration**

<b>Name</b>	<b>Abbrev.</b>	<b>I/O</b>	<b>Function</b>
Segment output pins	SEG32 to SEG1*	Output	LCD segment drive pins All pins are multiplexed as port pins (setting programmable)
Common output pins	COM4 to COM1	Output	LCD common drive pins Pins can be used in parallel with static
LCD power supply pins	V1, V2, V3	—	Used when a bypass capacitor is connected externally, and when an external power supply circuit is used

Note: \* SEG28 to SEG1 in the H8S/2282 Group or HD64F2280B.

## 14.3 Register Descriptions

The LCD controller/driver has the following registers. For details on module stop control, see section 20.1.3, Module Stop Control Registers A to D (MSTPCRA to MSTPCRD).

- LCD port control register (LPCR)
- LCD control register (LCR)
- LCD control register 2 (LCR2)

### 14.3.1 LCD Port Control Register (LPCR)

LPCR selects the duty cycle, LCD driver, and pin functions.

Bit	Bit Name	Initial Value	R/W	Description
7	DTS1	0	R/W	Duty Cycle Select 1 and 0
6	DTS0	0	R/W	The combination of DTS1 and DTS0 selects static, 1/3, or 1/4 duty. For details, see table 14.2.
5	CMX	0	R/W	Common Function Select Specifies whether or not the same waveform is to be output from multiple pins to increase the common drive power when all common pins are not used because of the duty setting. For details, see table 14.2.
4	—	0	R/W	Reserved This bit should only be written with 0.
3	SGS3	0	R/W	Segment Driver Select 3 to 0
2	SGS2	0	R/W	Bits 3 to 0 select the segment drivers to be used. For details, see table 14.3.
1	SGS1	0	R/W	
0	SGS0	0	R/W	

**Table 14.2 Selection of the Duty Cycle and Common Functions**

Bit 7: DTS1	Bit 6: DTS0	Bit 5: CMX	Duty Cycle	Common Drivers	Notes
0	0	0	Static	COM1	COM4, COM3, and COM2 can be used as ports
		1		COM4 to COM1	COM4, COM3, and COM2 output the same waveform as COM1
	1	X	—	—	Setting prohibited
1	0	0	1/3 duty	COM3 to COM1	COM4 can be used as a port
		1		COM4 to COM1	COM4 use is prohibited
	1	X	1/4 duty	COM4 to COM1	

Legend:

X: Don't care

**Table 14.3 (1) Selection of Segment Drivers (H8S/2282 Group or HD64F2280B)**

				Function of Pins SEG28 to SEG1					
Bit 3: SGS3	Bit 2: SGS2	Bit 1: SGS1	Bit 0: SGS0	SEG28 to SEG21	SEG20 to SEG17	SEG16 to SEG13	SEG12 to SEG9	SEG8 to SEG5	SEG4 to SEG1
0	0	0	0	Port	Port	Port	Port	Port	Port
			1	SEG	Port	Port	Port	Port	Port
		1	0	SEG	SEG	Port	Port	Port	Port
			1	SEG	SEG	SEG	Port	Port	Port
	1	0	0	SEG	SEG	SEG	SEG	Port	Port
			1	SEG	SEG	SEG	SEG	SEG	Port
		1	0	SEG	SEG	SEG	SEG	SEG	SEG
			1	Setting prohibited	Setting prohibited	Setting prohibited	Setting prohibited	Setting prohibited	Setting prohibited
1	X	X	X	Setting prohibited	Setting prohibited	Setting prohibited	Setting prohibited	Setting prohibited	Setting prohibited

Legend:

X: Don't care

**Table 14.3 (2) Selection of Segment Drivers (HD64F2280RB)**

				Function of Pins SEG32 to SEG1						
Bit 3: SGS3	Bit 2: SGS2	Bit 1: SGS1	Bit 0: SGS0	SEG32 to SEG25	SEG24 to SEG21	SEG20 to SEG17	SEG16 to SEG13	SEG12 to SEG9	SEG8 to SEG5	SEG4 to SEG1
0	0	0	0	Port	Port	Port	Port	Port	Port	Port
			1	SEG	Port	Port	Port	Port	Port	Port
		1	0	SEG	SEG	Port	Port	Port	Port	Port
			1	SEG	SEG	SEG	Port	Port	Port	Port
	1	0	0	SEG	SEG	SEG	SEG	Port	Port	Port
			1	SEG	SEG	SEG	SEG	SEG	Port	Port
		1	0	SEG	SEG	SEG	SEG	SEG	SEG	SEG
			1	SEG	SEG	SEG	SEG	SEG	SEG	SEG
1	X	X	X	Setting prohibited	Setting prohibited	Setting prohibited	Setting prohibited	Setting prohibited	Setting prohibited	

Legend:

X: Don't care

### 14.3.2 LCD Control Register (LCR)

LCR performs LCD power supply split-resistance connection control and display data control, and selects the frame frequency.

Bit	Bit Name	Initial Value	R/W	Description
7	—	1	—	Reserved This bit is always read as 1 and cannot be modified.
6	PSW	0	R/W	LCD Power Supply Split-Resistance Connection Control Bit 6 can be used to disconnect the LCD power supply split-resistance from $V_{cc}$ when LCD display is not required in a power-down mode, or when an external power supply is used. When ACT is 0 or in standby mode, the LCD power supply split-resistance is disconnected from $V_{cc}$ regardless of the setting of this bit. 0: LCD power supply split-resistance is disconnected from $V_{cc}$ 1: LCD power supply split-resistance is connected to $V_{cc}$
5	ACT	0	R/W	Display Function Activate Bit 5 specifies whether or not the LCD controller/driver is used. Clearing this bit to 0 halts operation of the LCD controller/driver. The LCD drive power supply ladder resistance is also turned off, regardless of the setting of the PSW bit. However, register contents are retained. 0: LCD controller/driver operation halted 1: LCD controller/driver operates
4	DISP	0	R/W	Display Data Control Bit 4 specifies whether the LCD RAM contents are displayed or blank data is displayed. 0: Blank data is displayed 1: LCD RAM data is displayed
3	CKS3	0	R/W	Frame Frequency Select 3 to 0
2	CKS2	0	R/W	Bits 3 to 0 select the operating clock and the frame frequency. For details, see table 14.4.
1	CKS1	0	R/W	
0	CKS0	0	R/W	



**Table 14.4 Selection of the Operating Clock and Frame Frequency**

Bit 3: CKS3	Bit 2: CKS2	Bit 1: CKS1	Bit 0: CKS0	Operating Clock	Frame Frequency <sup>*1</sup>		
					$\phi = 20 \text{ MHz}$		
0	X	0	0	$\phi_{\text{SUB}}$	128 Hz <sup>*2</sup>		
			1	$\phi_{\text{SUB}}/2$	64 Hz <sup>*2</sup>		
			1	X	$\phi_{\text{SUB}}/4$	32 Hz <sup>*2</sup>	
1	0	0	0	$\phi/8$	4880 Hz		
			1	$\phi/16$	2440 Hz		
			1	0	$\phi/32$	1220 Hz	
			1	$\phi/64$	610 Hz		
	1	0	0	0	$\phi/128$	305 Hz	
				1	$\phi/256$	152.6 Hz	
				1	0	$\phi/512$	76.3 Hz
				1	$\phi/1024$	38.1 Hz	

Legend:

X: Don't care

- Notes: 1. When 1/3 duty is selected, the frame frequency is 4/3 times the value shown.  
 2. This is the frame frequency when  $\phi_{\text{SUB}} = 32.768 \text{ kHz}$ .

### 14.3.3 LCD Control Register 2 (LCR2)

LCR2 controls switching between the A waveform and B waveform.

Bit	Bit Name	Initial Value	R/W	Description
7	LCDAB	0	R/W	A Waveform/B Waveform Switching Control: Bit 7 specifies whether the A waveform or B waveform is used as the LCD drive waveform. 0: Drive using A waveform 1: Drive using B waveform
6, 5	—	All 1	—	Reserved These bits are always read as 1 and cannot be modified.
4 to 0	—	All 0	—	Reserved These bits should only be written with 0.

## 14.4 Operation

### 14.4.1 Settings up to LCD Display

To perform LCD display, the hardware and software related items described below must first be determined.

#### Hardware Settings

1. Panel display

As the impedance of the built-in power supply split-resistance is large, it may not be suitable for driving a panel. If the display lacks sharpness, see section 14.4.4, Boosting the LCD Drive Power Supply. When static is selected, the common output drive capability can be increased. Set the CMX bit in LPCR to 1 when selecting the duty cycle. With a static cycle, pins COM4 to COM1 output the same waveform.

2. LCD drive power supply setting

With the H8S/2282, there are two ways of providing LCD power: by using the on-chip power supply circuit, or by using an external power supply circuit.

When an external power supply circuit is used for the LCD drive power supply, connect the external power supply to the V1 pin.

#### Software Settings

1. Duty selection

Duty cycles can be selected by setting bits DTS1 and DTS0.

2. Segment selection

The segment drivers to be used can be selected by setting bits SGS3 to SGS0.

3. Frame frequency selection

The frame frequency can be selected by setting bits CKS3 to CKS0. The frame frequency should be selected in accordance with the LCD panel specification. For the clock selection method in watch mode, subactive mode, and subsleep mode, see section 14.4.3, Operation in Power-Down Modes.

4. A or B waveform selection

Either the A or B waveform can be selected as the LCD waveform to be used by means of the LCDAB bit.

5. LCD drive power supply selection

When an external power supply circuit is used, turn the LCD drive power supply off by clearing the PSW bit to 0.

## 14.4.2 Relationship between LCD RAM and Display

### H8S/2282 Group or HD64F2280B

The relationship between the LCD RAM and the display segments differs according to the duty cycle. LCD RAM maps for the different duty cycles are shown in figures 14.2 to 14.4.

After setting the registers required for display, data is written to the part corresponding to the duty using the same kind of instruction as for ordinary RAM, and display is started automatically when turned on. Word- or byte-access instructions can be used for RAM setting.

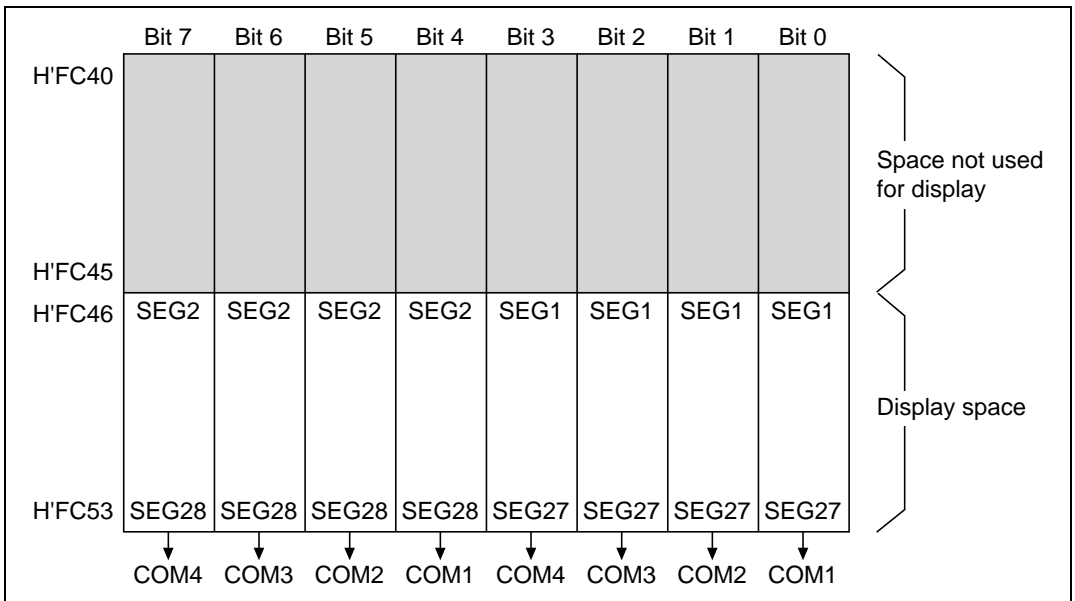


Figure 14.2 LCD RAM Map (1/4 Duty)

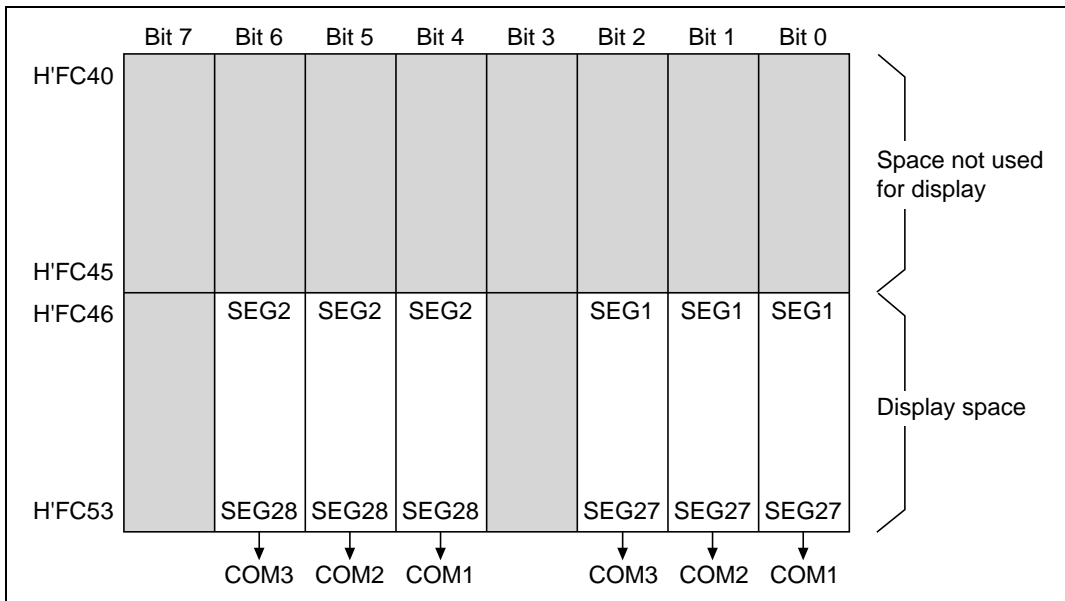


Figure 14.3 LCD RAM Map (1/3 Duty)

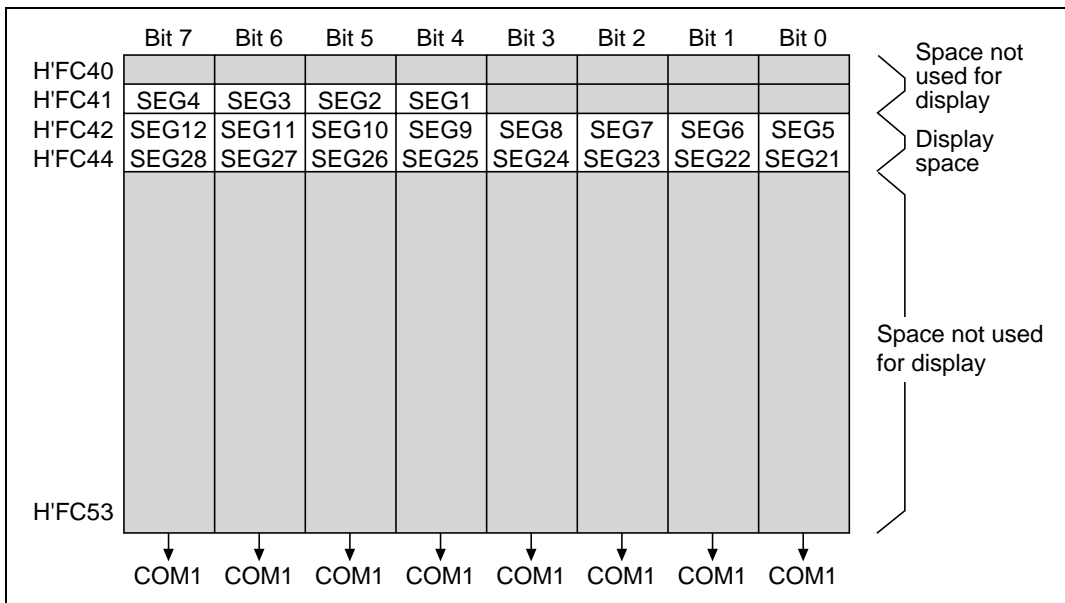
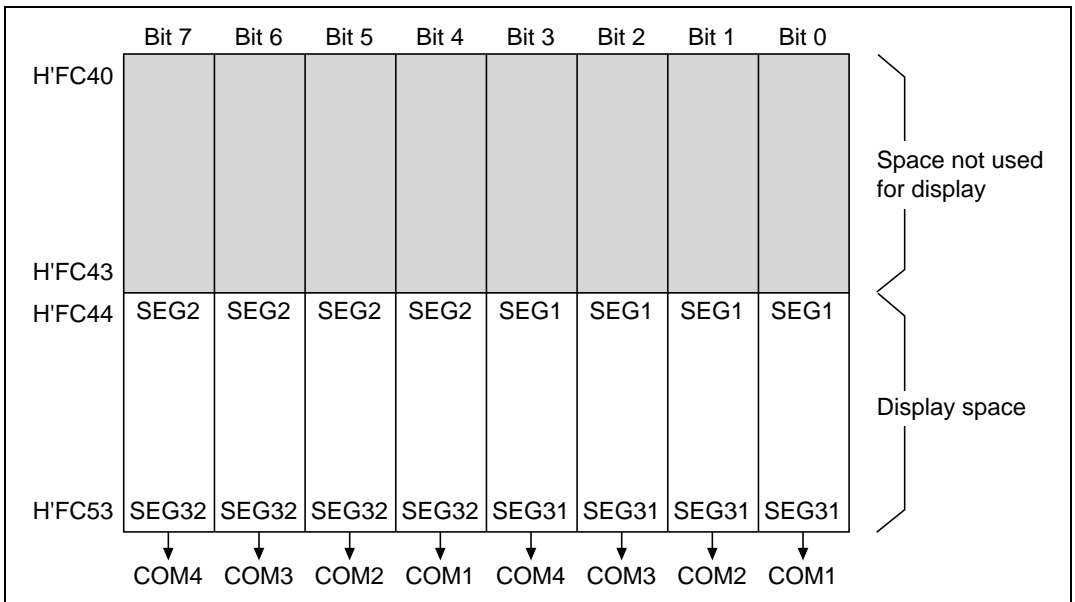


Figure 14.4 LCD RAM Map (Static Mode)

**HD64F2280RB**

The relationship between the LCD RAM and the display segments differs according to the duty cycle. LCD RAM maps for the different duty cycles are shown in figures 14.5 to 14.7.

After setting the registers required for display, data is written to the part corresponding to the duty cycle using the same kind of instruction as for ordinary RAM, and display is started automatically when turned on. Word- or byte-access instructions can be used for RAM setting.



**Figure 14.5 LCD RAM Map (1/4 Duty)**

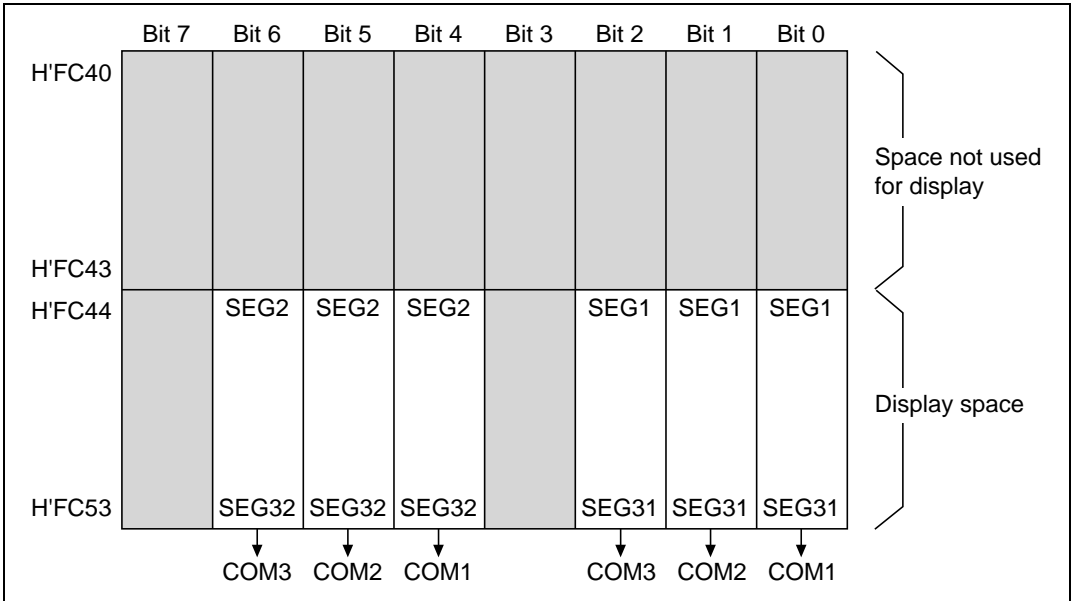


Figure 14.6 LCD RAM Map (1/3 Duty)

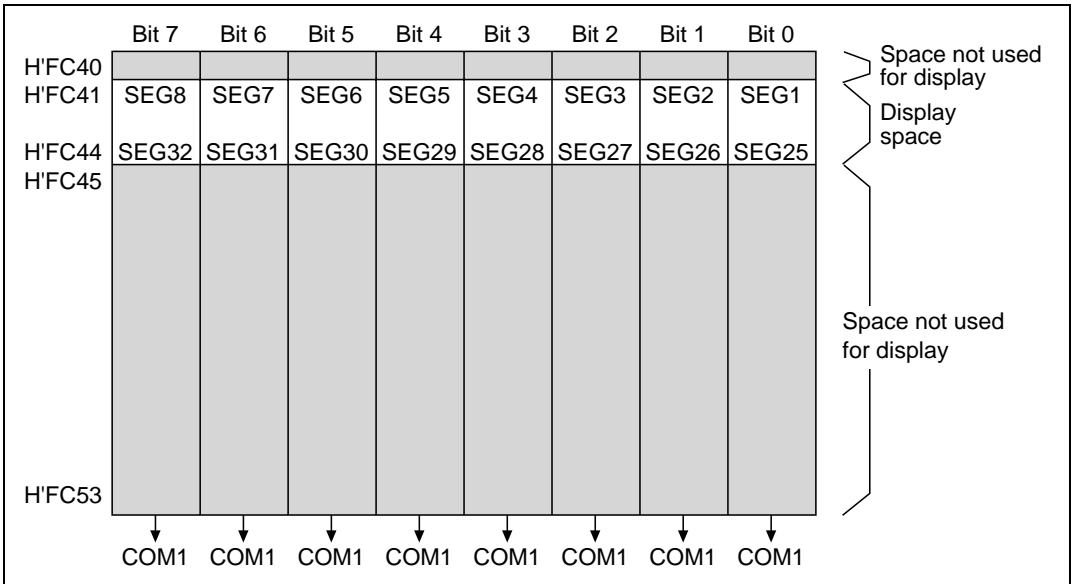
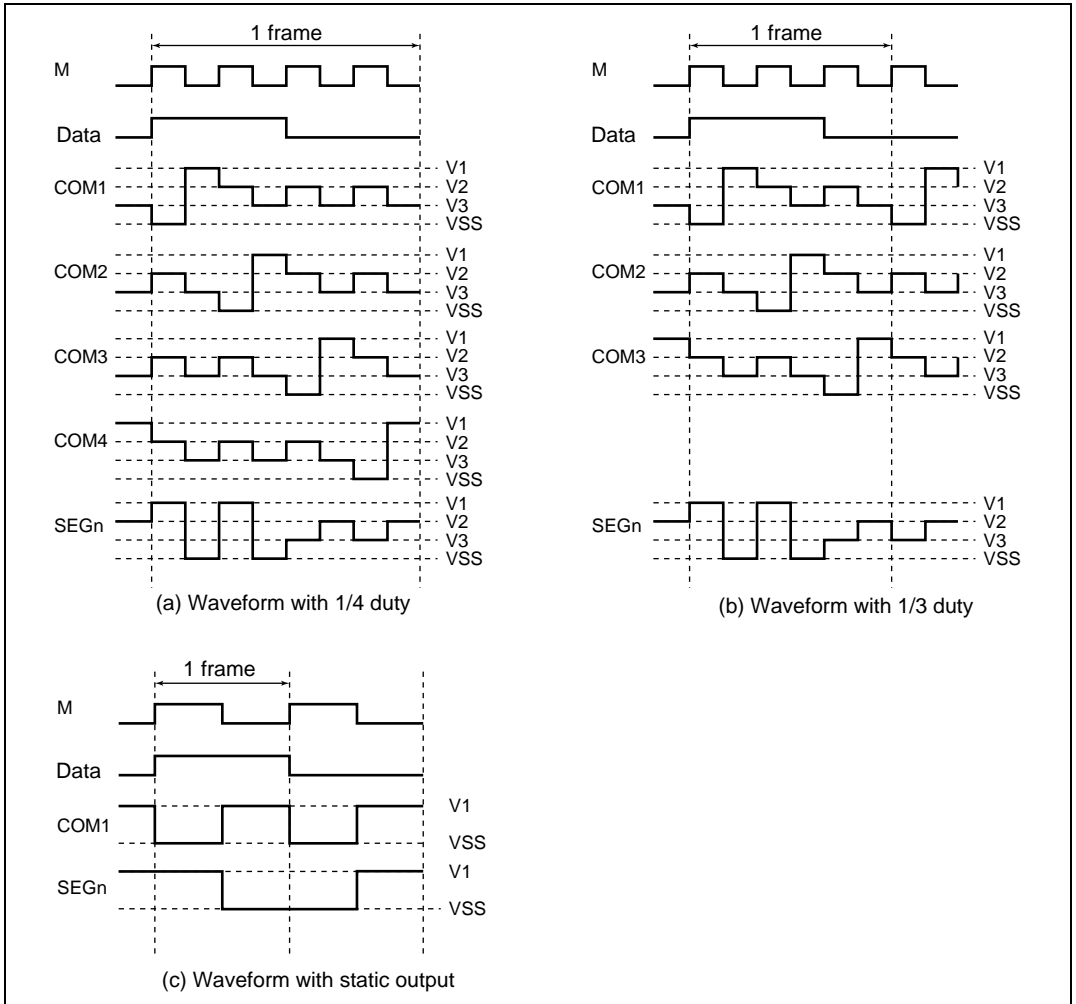
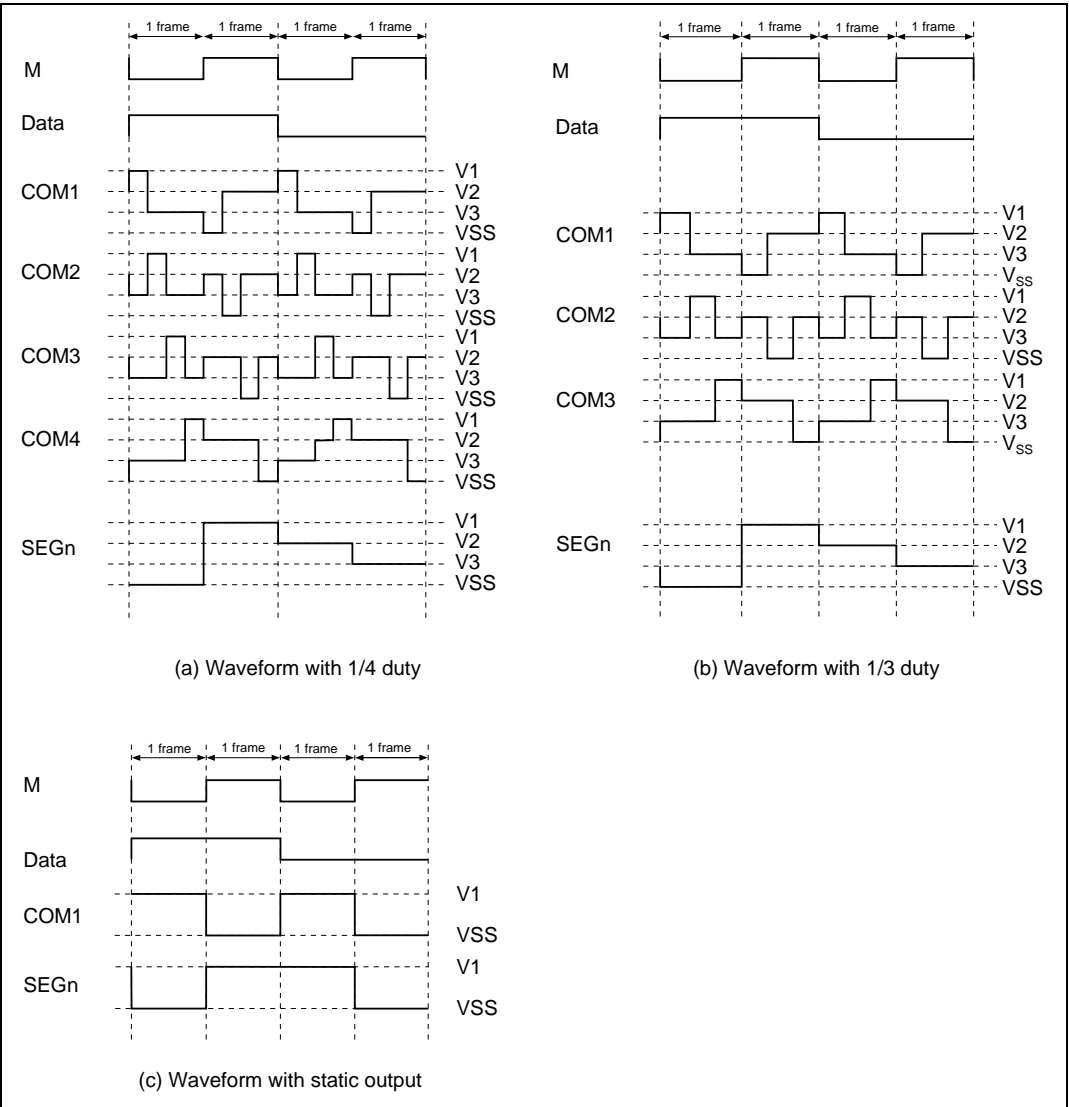


Figure 14.7 LCD RAM Map (Static Mode)



**Figure 14.8 Output Waveforms for Each Duty Cycle (A Waveform)**



**Figure 14.9 Output Waveforms for Each Duty Cycle (B Waveform)**



**Table 14.5 Output Levels (A Waveform)**

<b>Data</b>		<b>0</b>	<b>0</b>	<b>1</b>	<b>1</b>
<b>M</b>		<b>0</b>	<b>1</b>	<b>0</b>	<b>1</b>
<b>Static</b>	Common output	V1	$V_{SS}$	V1	$V_{SS}$
	Segment output	V1	$V_{SS}$	$V_{SS}$	V1
<b>1/3 duty</b>	Common output	V3	V2	V1	$V_{SS}$
	Segment output	V2	V3	$V_{SS}$	V1
<b>1/4 duty</b>	Common output	V3	V2	V1	$V_{SS}$
	Segment output	V2	V3	$V_{SS}$	V1

### 14.4.3 Operation in Power-Down Modes

The LCD controller/driver can be operated even in the power-down modes. The operating state of the LCD controller/driver in the power-down modes is summarized in table 14.6.

Though the read/write to the register for LCD in medium-speed mode is unable, LCD display operation continues as in high-speed mode. In subactive, subsleep or watch mode, the system clock switches to the subclock, requiring that  $\phi_{SUB}$ ,  $\phi_{SUB}/2$ , or  $\phi_{SUB}/4$  should be selected. In watch mode in particular, the  $\phi$  clock is not supplied unless  $\phi_{SUB}$ ,  $\phi_{SUB}/2$ , or  $\phi_{SUB}/4$  is selected, causing the display halt. In this case, the DC voltage may be applied to the LCD panel. Thus, make sure to select  $\phi_{SUB}$ ,  $\phi_{SUB}/2$ , or  $\phi_{SUB}/4$ .

In software standby mode, when boosting the LCD drive power supply, the segment output and common output pins retain their values, and the DC voltage could be applied to the LCD panel. Therefore, before entering software standby mode, set DDR that is used for segment output and common output and the bits SGS3 to SGS0 to 0

**Table 14.6 Power-Down Modes and Display Operation**

Mode	Reset	Active	Sleep	Watch	Subactive	Subsleep	Standby	Module	
								Standby	Standby
Clock	$\phi$	Runs	Runs	Runs	Stops	Stops	Stops	Stops* <sup>1</sup>	Stops* <sup>1</sup>
	$\phi_{\text{SUB}}$	Runs	Runs	Runs	Runs	Runs	Runs	Stops* <sup>1</sup>	Stops* <sup>1</sup>
Display operation	ACT = 0	Stops	Stops	Stops	Stops	Stops	Stops	Stops* <sup>2</sup>	Stops
	ACT = 1	Stops	Functions	Functions	Functions* <sup>3</sup>	Functions* <sup>3</sup>	Functions* <sup>3</sup>	Stops* <sup>2</sup>	Stops

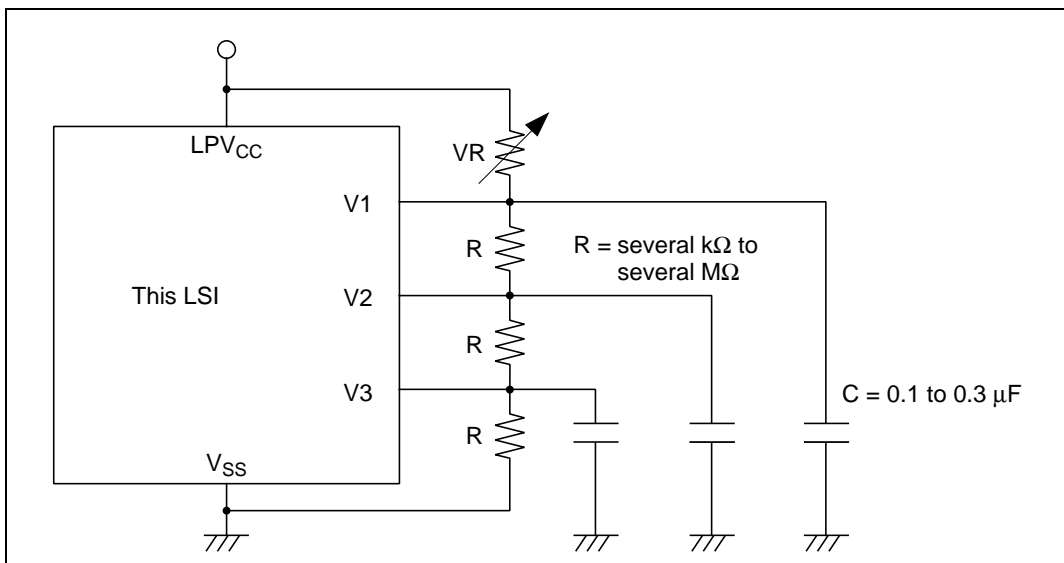
Notes: 1. The clock supplied to the LCD stops.

2. The LCD drive power supply is turned off regardless of the setting of the PSW bit.

3. Display operation is performed only when  $\phi_{\text{SUB}}$ ,  $\phi_{\text{SUB}}/2$ , or  $\phi_{\text{SUB}}/4$  is selected as the clock.

#### 14.4.4 Boosting the LCD Drive Power Supply

When a panel is driven, the on-chip power supply capacity may be insufficient. In this case, the power supply impedance must be reduced. This can be done by connecting bypass capacitors of around 0.1 to 0.3  $\mu\text{F}$  to pins V1 to V3, as shown in figure 14.10, or by adding a split-resistance externally.



**Figure 14.10 Connection of External Split-Resistance**

## 14.5 Usage Notes

### 14.5.1 Disabling LCD Indications

To disable LCD output, use the SGS bits to switch the pins from SEG to port operation, then clear the ACT bit in the LCR register to 0. If the ACT bit is cleared while the pins are still set to SEG output, DC voltage may be applied directly to the LCD panel.



## Section 15 RAM

The H8S/2282 Group has 4 kbytes, and the H8S/2280 Group 2 kbytes, of on-chip high-speed static RAM. The RAM is connected to the CPU by a 16-bit data bus, enabling one-state access by the CPU to both byte data and word data.

The on-chip RAM can be enabled or disabled by means of the RAME bit in the system control register (SYSCR). For details on SYSCR, see section 3.2.2, System Control Register (SYSCR).

Product Type Name		ROM Type	RAM Capacitance	RAM Address
H8S/2282 Group	HD64F2282	Flash memory version	4 kbytes	H'FFE000 to H'FFEFBF, H'FFFC0 to H'FFFFFF
	HD6432282	Mask ROM version	4 kbytes	H'FFE000 to H'FFEFBF, H'FFFC0 to H'FFFFFF
	HD6432281		4 kbytes	H'FFE000 to H'FFEFBF, H'FFFC0 to H'FFFFFF
H8S/2280 Group	HD64F2280B	Flash memory version	2 kbytes	H'FFE800 to H'FFEFBF, H'FFFC0 to H'FFFFFF
	HD64F2280RB		2 kbytes	H'FFE800 to H'FFEFBF, H'FFFC0 to H'FFFFFF



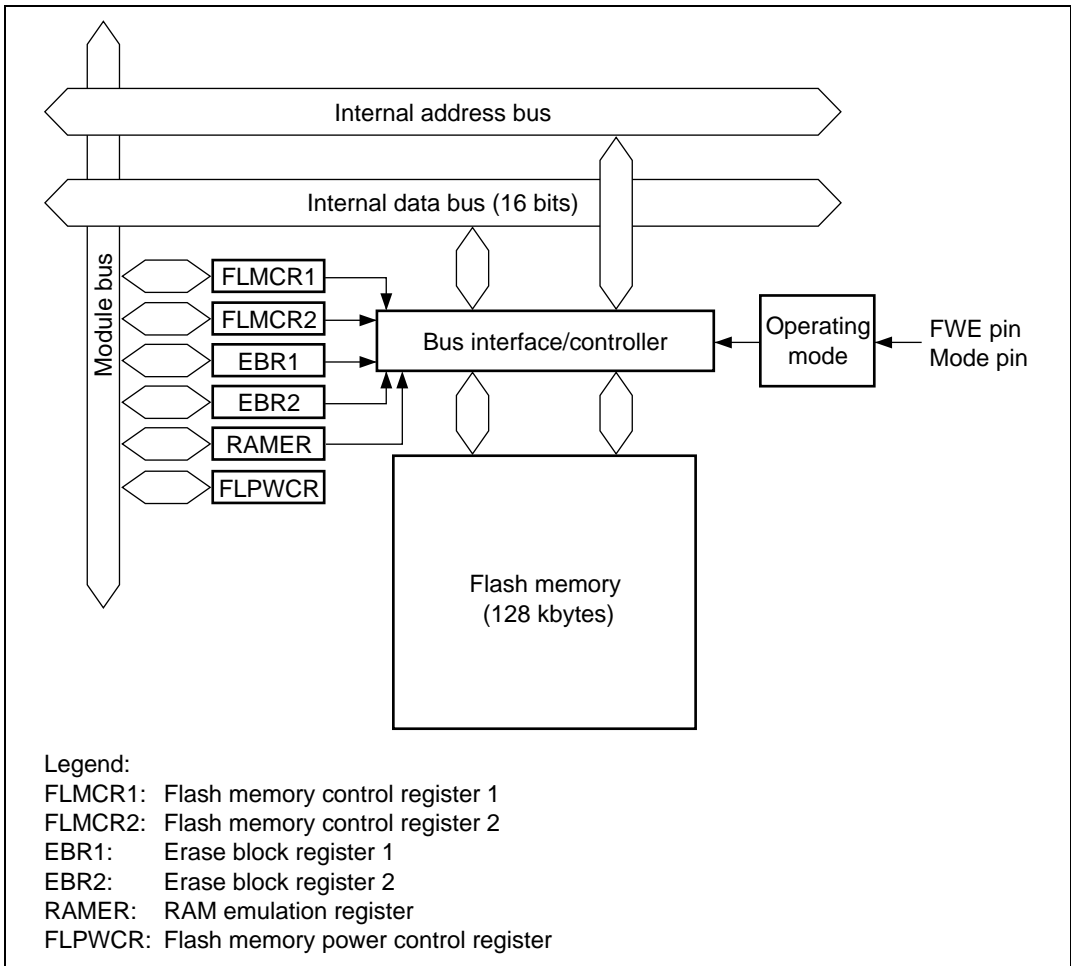
## Section 16 Flash Memory (F-ZTAT Version) [H8S/2282 Group]

The features of the flash memory are summarized below.

The block diagram of the flash memory is shown in figure 16.1.

### 16.1 Features

- Size: 128 kbytes
- Programming/erase methods
  - The flash memory is programmed 128 bytes at a time. Erase is performed in single-block units. The flash memory is configured as follows: 32 kbytes  $\times$  2 blocks, 28 kbytes  $\times$  1 block, 16 kbytes  $\times$  1 block, 8 kbytes  $\times$  2 blocks, and 1 kbyte  $\times$  4 blocks. To erase the entire flash memory, each block must be erased in turn.
- Reprogramming capability
  - The flash memory can be reprogrammed up to 100 times.
- Two on-board programming modes
  - Boot mode
  - User program mode
  - Programmer mode
  - On-board programming/erasing can be done in boot mode, in which the boot program built into the chip is started to erase or program of the entire flash memory. In normal user program mode, individual blocks can be erased or programmed.
- Automatic bit rate adjustment
  - For data transfer in boot mode, this LSI's bit rate can be automatically adjusted to match the transfer bit rate of the host.
- Programming/erasing protection
  - Sets hardware protection, software protection, or error protection against flash memory programming/erasing.
- Programmer mode
  - Flash memory can be programmed/erased in programmer mode using a PROM programmer, as well as in on-board programming mode.



**Figure 16.1 Block Diagram of Flash Memory**

## 16.2 Mode Transitions

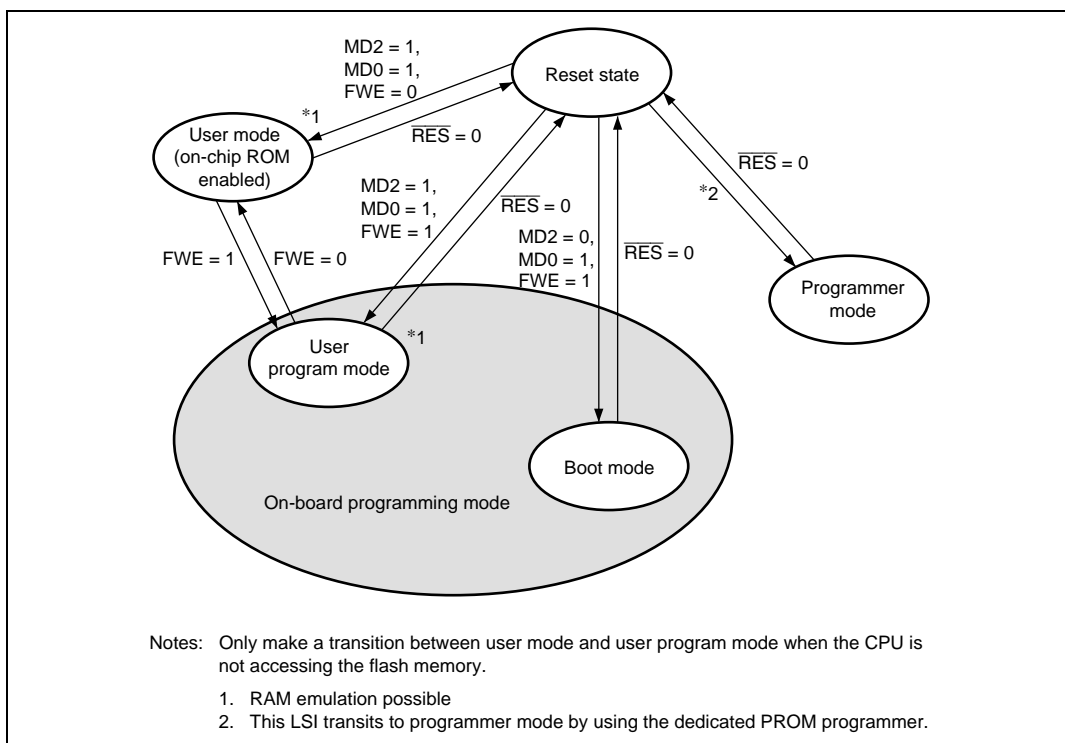
When the mode pins and the FWE pin are set in the reset state and a reset-start is executed, this LSI enters an operating mode as shown in figure 16.2. In user mode, flash memory can be read but not programmed or erased.

The boot, user program and programmer modes are provided as modes to write and erase the flash memory.

The differences between boot mode and user program mode are shown in table 16.1.



Figure 16.3 shows the operation flow for boot mode and figure 16.4 shows that for user program mode.



**Figure 16.2 Flash Memory State Transitions**

**Table 16.1 Differences between Boot Mode and User Program Mode**

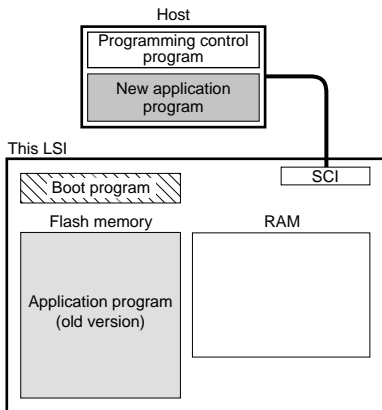
	Boot Mode	User Program Mode
Total erase	Yes	Yes
Block erase	No	Yes
Programming control program*	(2)	(1) (2) (3)

- (1) Erase/erase-verify
- (2) Program/program-verify
- (3) Emulation

Note: \* To be provided by the user, in accordance with the recommended algorithm.

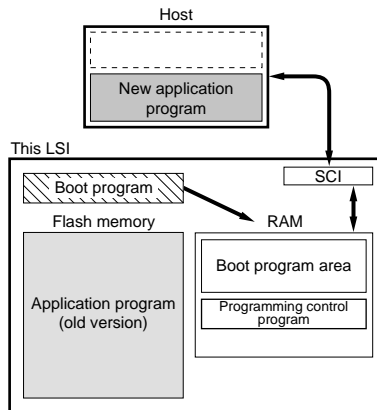
## 1. Initial state

The old program version or data remains written in the flash memory. The user should prepare the programming control program and new application program beforehand in the host.



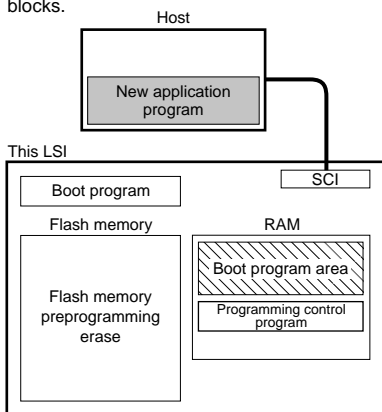
## 2. Programming control program transfer

When boot mode is entered, the boot program in this LSI (originally incorporated in the chip) is started and the programming control program in the host is transferred to RAM via SCI communication. The boot program required for flash memory erasing is automatically transferred to the RAM boot program area.



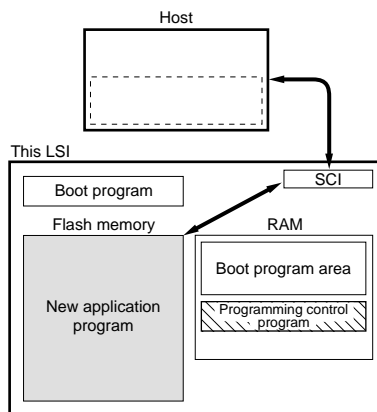
## 3. Flash memory initialization

The erase program in the boot program area (in RAM) is executed, and the flash memory is initialized (to H'FF). In boot mode, total flash memory erasure is performed, without regard to blocks.



## 4. Writing new application program

The programming control program transferred from the host to RAM is executed, and the new application program in the host is written into the flash memory.



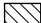
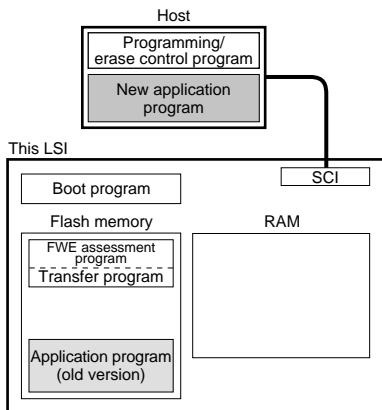
 Program execution state

Figure 16.3 Boot Mode

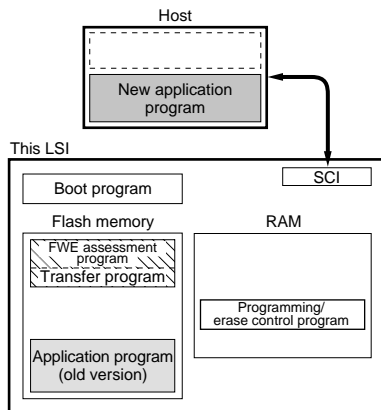
## 1. Initial state

The FWE assessment program that confirms that user program mode has been entered, and the program that will transfer the programming/erase control program from flash memory to on-chip RAM should be written into the flash memory by the user beforehand. The programming/erase control program should be prepared in the host or in the flash memory.



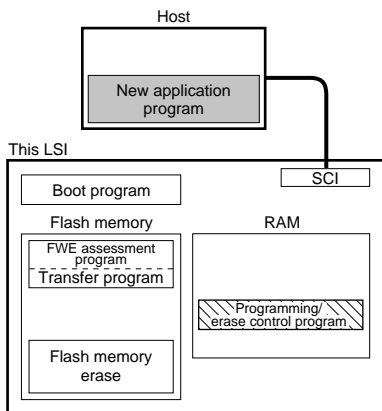
## 2. Programming/erase control program transfer

When user program mode is entered, user software confirms this fact, executes transfer program in the flash memory, and transfers the programming/erase control program to RAM.



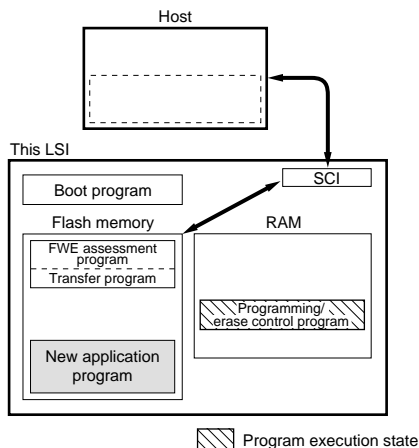
## 3. Flash memory initialization


The programming/erase program in RAM is executed, and the flash memory is initialized (to H'FF). Erasing can be performed in block units, but not in byte units.



## 4. Writing new application program

Next, the new application program in the host is written into the erased flash memory blocks. Do not write to unerased blocks.



 Program execution state

**Figure 16.4 User Program Mode**

## 16.3 Block Configuration

Figure 16.5 shows the block configuration of 128-kbyte flash memory. The thick lines indicate erasing units, the narrow lines indicate programming units and the values are addresses. The flash memory is divided into 32 kbytes (2 blocks), 28 kbytes (1 block), 16 kbytes (1 block), 8 kbytes (2 blocks), and 1 kbyte (4 blocks). Erasing is performed in these units. Programming is performed in 128-byte units starting from an address with lower eight bits H'00 or H'80.

EB0 Erase unit 1 kbyte	H'000000	H'000001	H'000002	← Programming unit: 128 bytes →	H'00007F
	H'000380	H'000381	H'000382		H'0003FF
EB1 Erase unit 1 kbyte	H'000400	H'000401	H'000402	← Programming unit: 128 bytes →	H'00047F
	H'000780	H'000781	H'000782		H'0007FF
EB2 Erase unit 1 kbyte	H'000800	H'000801	H'000802	← Programming unit: 128 bytes →	H'00087F
	H'000B80	H'000B81	H'000B82		H'000BFF
EB3 Erase unit 1 kbyte	H'000C00	H'000C01	H'000C02	← Programming unit: 128 bytes →	H'000C7F
	H'000F80	H'000F81	H'000F82		H'000FFF
EB4 Erase unit 28 kbytes	H'001000	H'001001	H'001002	← Programming unit: 128 bytes →	H'00107F
	H'007F80	H'007F81	H'007F82		H'007FFF
EB5 Erase unit 16 kbytes	H'008000	H'008001	H'008002	← Programming unit: 128 bytes →	H'00807F
	H'00BF80	H'00BF81	H'00BF82		H'00BFFF
EB6 Erase unit 8 kbytes	H'00C000	H'00C001	H'00C002	← Programming unit: 128 bytes →	H'00C07F
	H'00DF80	H'00DF81	H'00DF82		H'00DFFF
EB7 Erase unit 8 kbytes	H'00E000	H'00E001	H'00E002	← Programming unit: 128 bytes →	H'00E07F
	H'00FF80	H'00FF81	H'00FF82		H'00FFFF
EB8 Erase unit 32 kbytes	H'010000	H'010001	H'010002	← Programming unit: 128 bytes →	H'01007F
	H'017F80	H'017F81	H'017F82		H'017FFF
EB9 Erase unit 32 kbytes	H'018000	H'018001	H'018002	← Programming unit: 128 bytes →	H'01807F
	H'01FF80	H'01FF81	H'01FF82		H'01FFFF

Figure 16.5 Flash Memory Block Configuration

## 16.4 Input/Output Pins

The flash memory is controlled by means of the pins shown in table 16.2.

**Table 16.2 Pin Configuration**

Pin Name	I/O	Function
$\overline{\text{RES}}$	Input	Reset
FWE	Input	Flash program/erase protection by hardware
MD2	Input	Sets this LSI's operating mode
MD1	Input	Sets this LSI's operating mode
MD0	Input	Sets this LSI's operating mode
TxD1	Output	Serial transmit data output
RxD1	Input	Serial receive data input

## 16.5 Register Descriptions

The flash memory has the following registers.

- Flash memory control register 1 (FLMCR1)
- Flash memory control register 2 (FLMCR2)
- Erase block register 1 (EBR1)
- Erase block register 2 (EBR2)
- RAM emulation register (RAMER)
- Flash memory power control register (FLPWCR)

### 16.5.1 Flash Memory Control Register 1 (FLMCR1)

FLMCR1 makes the flash memory change to program mode, program-verify mode, erase mode, or erase-verify mode. For details on register setting, see section 16.8, Flash Memory Programming/Erasing.

Bit	Bit Name	Initial Value	R/W	Description
7	FWE	—	R	Reflects the input level at the FWE pin. It is cleared to 0 when a low level is input to the FWE pin, and set to 1 when a high level is input.
6	SWE	0	R/W	Software Write Enable Bit When this bit is set to 1, flash memory programming/erasing is enabled. When this bit is cleared to 0, other FLMCR1 register bits and all EBR1 bits cannot be set.
5	ESU	0	R/W	Erase Setup Bit When this bit is set to 1, the flash memory changes to the erase setup state. When it is cleared to 0, the erase setup state is cancelled.
4	PSU	0	R/W	Program Setup Bit When this bit is set to 1, the flash memory changes to the program setup state. When it is cleared to 0, the program setup state is cancelled. Set this bit to 1 before setting the P1 bit in FLMCR1.
3	EV	0	R/W	Erase-Verify When this bit is set to 1, the flash memory changes to erase-verify mode. When it is cleared to 0, erase-verify mode is cancelled.
2	PV	0	R/W	Program-Verify When this bit is set to 1, the flash memory changes to program-verify mode. When it is cleared to 0, program-verify mode is cancelled.
1	E	0	R/W	Erase When this bit is set to 1, and while the SWE1 and ESU1 bits are 1, the flash memory changes to erase mode. When it is cleared to 0, erase mode is cancelled.
0	P	0	R/W	Program When this bit is set to 1, and while the SWE1 and PSU1 bits are 1, the flash memory changes to program mode. When it is cleared to 0, program mode is cancelled.

### 16.5.2 Flash Memory Control Register 2 (FLMCR2)

FLMCR2 displays the state of flash memory programming/erasing. FLMCR2 is a read-only register, and should not be written to.

Bit	Bit Name	Initial Value	R/W	Description
7	FLER	0	R	Indicates that an error has occurred during an operation on flash memory (programming or erasing). When FLER is set to 1, flash memory goes to the error-protection state. See section 16.9.3, Error Protection, for details.
6 to 0	—	All 0	R	Reserved These bits are always read as 0.

### 16.5.3 Erase Block Register 1 (EBR1)

EBR1 and EBR2 specify the flash memory erase area block. EBR1 and EBR2 initialized to H'00 when the SWE bit in FLMCR1 is 0. Do not set more than one bit in EBR1 and EBR2 together at a time, as this will cause all the bits in EBR1 and EBR2 to be automatically cleared to 0.

- EBR1

Bit	Bit Name	Initial Value	R/W	Description
7	EB7	0	R/W	When this bit is set to 1, 8 kbytes of EB7 (H'00E000 to H'00FFFF) will be erased.
6	EB6	0	R/W	When this bit is set to 1, 8 kbytes of EB6 (H'00C000 to H'00DFFF) will be erased.
5	EB5	0	R/W	When this bit is set to 1, 16 kbytes of EB5 (H'008000 to H'00BFFF) will be erased.
4	EB4	0	R/W	When this bit is set to 1, 28 kbytes of EB4 (H'001000 to H'007FFF) will be erased.
3	EB3	0	R/W	When this bit is set to 1, 1 kbyte of EB3 (H'000C00 to H'000FFF) will be erased.
2	EB2	0	R/W	When this bit is set to 1, 1 kbyte of EB2 (H'000800 to H'000BFF) will be erased.
1	EB1	0	R/W	When this bit is set to 1, 1 kbyte of EB1 (H'000400 to H'0007FF) will be erased.
0	EB0	0	R/W	When this bit is set to 1, 1 kbyte of EB0 (H'000000 to H'0003FF) will be erased.

- EBR2

Bit	Bit Name	Initial Value	R/W	Description
7 to 2	—	All 0	R/W	Reserved These bits are always read as 0.
1	EB9	0	R/W	When this bit is set to 1, 32 kbytes of EB9 (H'018000 to H'01FFFF) will be erased.
0	EB8	0	R/W	When this bit is set to 1, 32 kbytes of EB8 (H'010000 to H'017FFF) will be erased.

#### 16.5.4 RAM Emulation Register (RAMER)

RAMER specifies the area of flash memory to be overlapped with part of RAM when emulating real-time flash memory programming. RAMER settings should be made in user mode or user program mode. To ensure correct operation of the emulation function, the ROM for which RAM emulation is performed should not be accessed immediately after this register has been modified. Normal execution of an access immediately after register modification is not guaranteed.



Bit	Bit Name	Initial Value	R/W	Description
7, 6	—	All 0	R	Reserved These bits are always read as 0.
5, 4	—	All 0	R/W	Reserved Only 0 should be written to these bits.
3	RAMS	0	R/W	RAM Select Specifies selection or non-selection of flash memory emulation in RAM. When RAMS = 1, the flash memory is overlapped with part of RAM, and all flash memory block are program/erase-protected.
2	RAM2	0	R/W	Flash Memory Area Selection
1	RAM1	0	R/W	When the RAMS bit is set to 1, one of the following flash memory areas are selected to overlap the RAM area of H'FFE000 to H'FFE3FF. The areas correspond with 1-kbyte erase blocks. 00X: H'000000 to H'0003FF (EB0) 01X: H'000400 to H'0007FF (EB1) 10X: H'000800 to H'000BFF (EB2) 11X: H'000C00 to H'000FFF (EB3)
0	RAM0	0	R/W	

Note: X: Don't care

### 16.5.5 Flash Memory Power Control Register (FLPWCR)

FLPWCR enables or disables a transition to the flash memory power-down mode when this LSI switches to subactive mode. For details, see section 16.12, Flash Memory and Power-Down Modes.

Bit	Bit Name	Initial Value	R/W	Description
7	PDWND	0	R/W	Power-Down Disable When this bit is set to 1, the transition to flash memory power-down mode is disabled.
6 to 0	—	All 0	R	Reserved These bits always read 0.

## 16.6 On-Board Programming Modes

There are two modes for programming/erasing of the flash memory; boot mode, which enables on-board programming/erasing, and programmer mode, in which programming/erasing is performed with a PROM programmer. On-board programming/erasing can also be performed in user program mode. At reset-start in reset mode, this LSI changes to a mode depending on the MD pin settings and FWE pin setting, as shown in table 16.3. The input level of each pin must be defined four states before the reset ends.

When changing to boot mode, the boot program built into this LSI is initiated. The boot program transfers the programming control program from the externally-connected host to on-chip RAM via SCI\_1. After erasing the entire flash memory, the programming control program is executed. This can be used for programming initial values in the on-board state or for a forcible return when programming/erasing can no longer be done in user program mode. In user program mode, individual blocks can be erased and programmed by branching to the user program/erase control program prepared by the user.

**Table 16.3 Setting On-Board Programming Modes**

<b>MD2</b>	<b>MD0</b>	<b>FWE</b>	<b>LSI State after Reset End</b>
1	1	1	User Mode
0	1	1	Boot Mode

### 16.6.1 Boot Mode

Table 16.4 shows the boot mode operations between reset end and branching to the programming control program.

1. When boot mode is used, the flash memory programming control program must be prepared in the host beforehand. Prepare a programming control program in accordance with the description in section 16.8, Flash Memory Programming/Erasing.
2. SCI\_1 should be set to asynchronous mode, and the transfer format as follows: 8-bit data, 1 stop bit, and no parity.
3. When the boot program is initiated, the chip measures the low-level period of asynchronous SCI communication data (H'00) transmitted continuously from the host. The chip then calculates the bit rate of transmission from the host, and adjusts the SCI\_1 bit rate to match that of the host. The reset should end with the RxD pin high. The RxD and TxD pins should be pulled up on the board if necessary. After the reset is complete, it takes approximately 100 states before the chip is ready to measure the low-level period.
4. After matching the bit rates, the chip transmits one H'00 byte to the host to indicate the completion of bit rate adjustment. The host should confirm that this adjustment end indication (H'00) has been received normally, and transmit one H'55 byte to the chip. If reception could not be performed normally, initiate boot mode again by a reset. Depending on the host's transfer bit rate and system clock frequency of this LSI, there will be a discrepancy between the bit rates of the host and the chip. To operate the SCI properly, set the host's transfer bit rate and system clock frequency of this LSI within the ranges listed in table 16.5.
5. In boot mode, a part of the on-chip RAM area is used by the boot program. The area H'FFE800 to H'FFEFBF is the area to which the programming control program is transferred from the host. The boot program area cannot be used until the execution state in boot mode switches to the programming control program.
6. Before branching to the programming control program, the chip terminates transfer operations by SCI\_1 (by clearing the RE and TE bits in SCR to 0), however the adjusted bit rate value remains set in BRR. Therefore, the programming control program can still use it for transfer of write data or verify data with the host. The TxD pin is high. The contents of the CPU general registers are undefined immediately after branching to the programming control program. These registers must be initialized at the beginning of the programming control program, as the stack pointer (SP), in particular, is used implicitly in subroutine calls, etc.
7. Boot mode can be cleared by a reset. End the reset after driving the reset pin low, waiting at least 20 states, and then setting the mode (MD) pins. Boot mode is also cleared when a WDT overflow occurs.
8. Do not change the MD pin input levels in boot mode.
9. All interrupts are disabled during programming or erasing of the flash memory.

**Table 16.4 Boot Mode Operation**

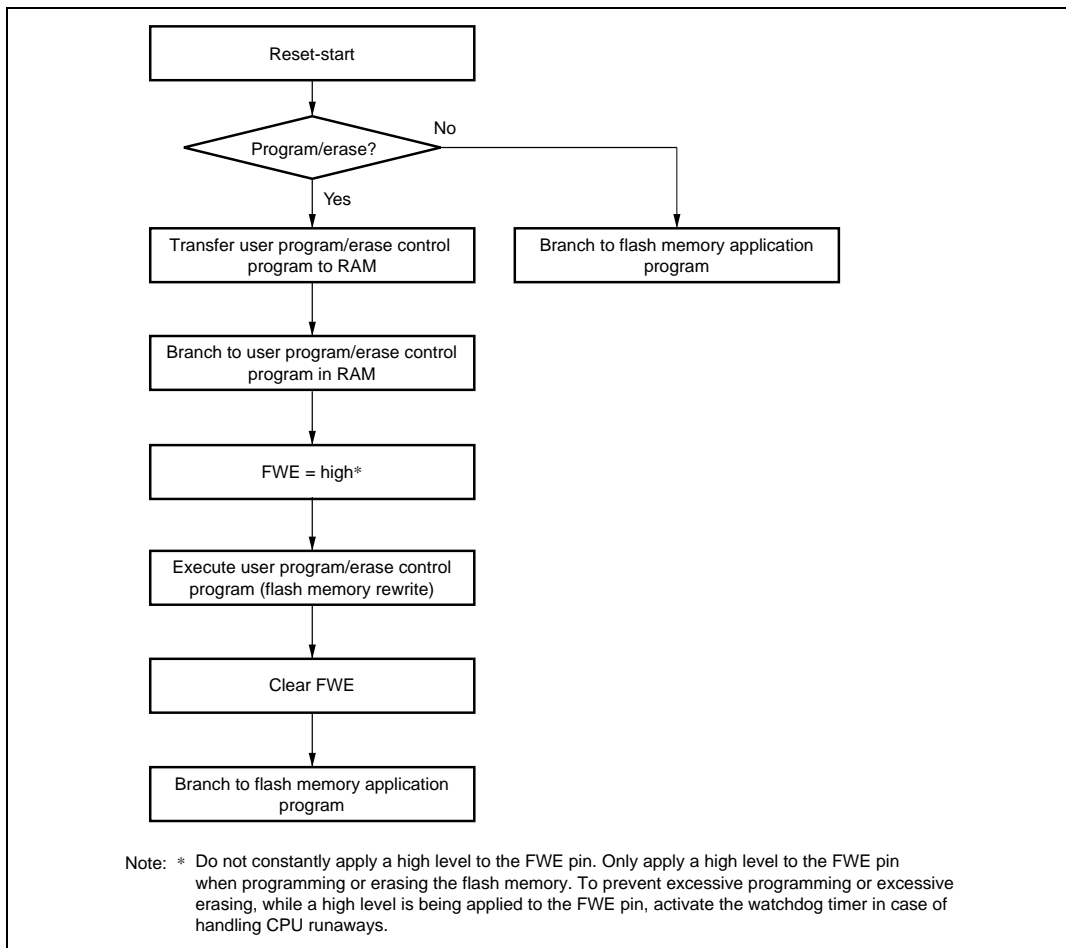
Item	Host Operation		LSI Operation	
	Processing Contents	Communications Contents	Processing Contents	
Boot mode start			Branches to boot program at reset-start.	
Bit rate adjustment	Continuously transmits data H'00 at specified bit rate.	H'00, H'00 ..... H'00	<ul style="list-style-type: none"> <li>Measures low-level period of receive data H'00.</li> <li>Calculates bit rate and sets it in BRR of SCL_1.</li> <li>Transmits data H'00 to host as adjustment end indication.</li> </ul>	
	Transmits data H'55 when data H'00 is received error-free.	H'00 H'55	Transmits data H'AA to host when data H'55 is received.	
	Receives data H'AA.	H'AA		
Transfer of programming control program	Transmits number of bytes (N) of programming control program to be transferred as 2-byte data (low-order byte following high-order byte)	High-order byte and low-order byte	Echobacks the 2-byte data received.	
	Transmits 1-byte of programming control program (repeated for N times)	H'XX Echoback	Echobacks received data to host and also transfers it to RAM (repeated for N times)	
Flash memory erase		H'FF	Checks flash memory data, erases all flash memory blocks in case of written data existing, and transmits data H'AA to host. (If erase could not be done, transmits data H'FF to host and aborts operation.)	
	Receives data H'AA.	H'AA	Branches to programming control program transferred to on-chip RAM and starts execution.	

**Table 16.5 System Clock Frequencies for which Automatic Adjustment of LSI Bit Rate Is Possible**

Host Bit Rate	System Clock Frequency Range of LSI
19,200 bps	20 MHz
9,600 bps	8 to 20 MHz
4,800 bps	4 to 20 MHz

## 16.6.2 Programming/Erasing in User Program Mode

On-board programming/erasing of an individual flash memory block can also be performed in user program mode by branching to a user program/erase control program. The user must set branching conditions and provide on-board means of supplying programming data. The flash memory must contain the user program/erase control program or a program that provides the user program/erase control program from external memory. As the flash memory itself cannot be read during programming/erasing, transfer the user program/erase control program to on-chip RAM, as in boot mode. Figure 16.6 shows a sample procedure for programming/erasing in user program mode. Prepare a user program/erase control program in accordance with the description in section 16.8, Flash Memory Programming/Erasing.

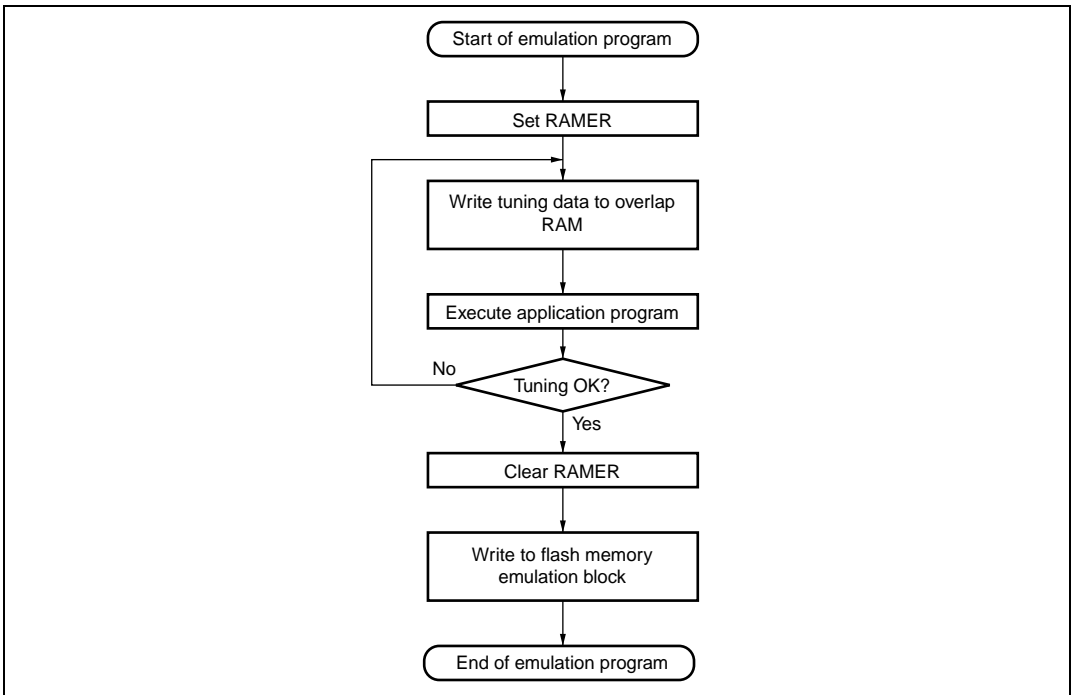


**Figure 16.6 Programming/Erasing Flowchart Example in User Program Mode**

## 16.7 Flash Memory Emulation in RAM

A setting in the RAM emulation register (RAMER) enables part of RAM to be overlapped onto the flash memory area so that data to be written to flash memory can be emulated in RAM in real time. Emulation can be performed in user mode or user program mode. Figure 16.7 shows an example of emulation of real-time flash memory programming.

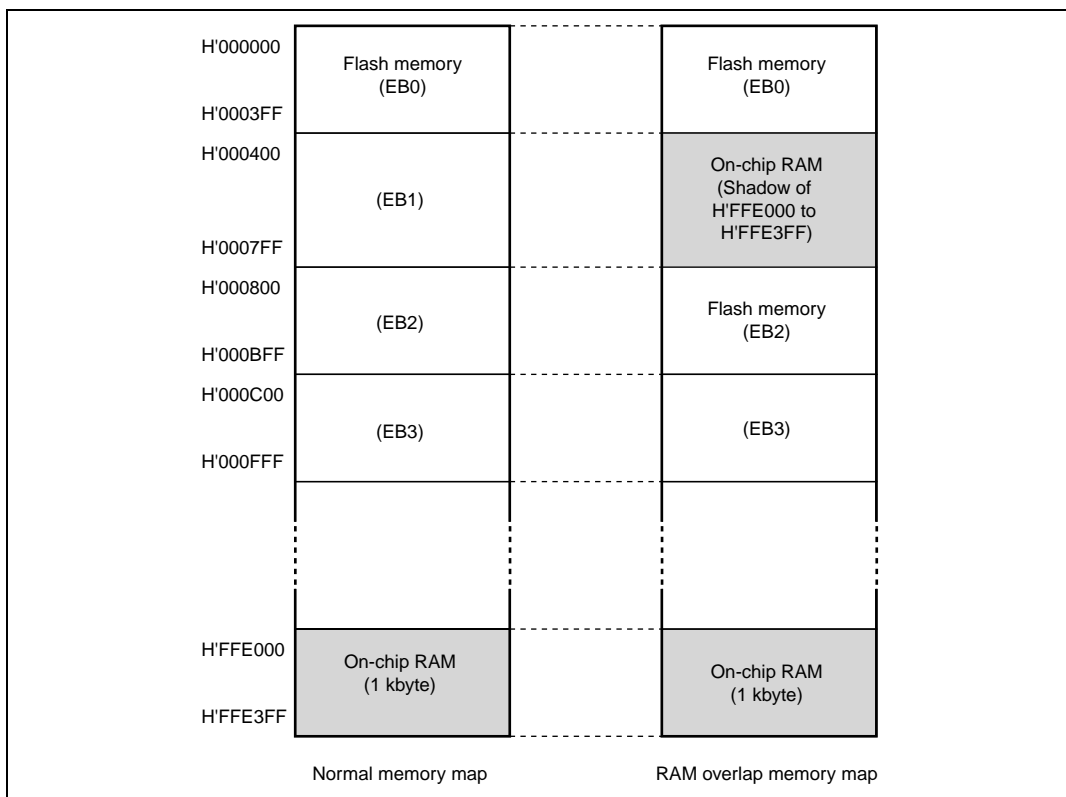
1. Set RAMER to overlap part of RAM onto the area for which real-time programming is required.
2. Emulation is performed using the overlapping RAM.
3. After the program data has been confirmed, the RAMS bit is cleared, thus releasing the RAM overlap.
4. The data written in the overlapping RAM is written into the flash memory space (EB0).



**Figure 16.7** Flowchart for Flash Memory Emulation in RAM

An example in which flash memory block area EB0 is overlapped is shown in figure 16.8.

1. The RAM area to be overlapped is fixed at a 1-kbyte area in the range H'FFE000 to H'FFE3FF.
2. The flash memory area to overlap is selected by RAMER from a 1-kbyte area of the EB0 to EB3 blocks.
3. The overlapped RAM area can be accessed from both the flash memory addresses and RAM addresses.
4. When the RAMS bit in RAMER is set to 1, program/erase protection is enabled for all flash memory blocks (emulation protection). In this state, setting the P or E bit in FLMCR1 to 1 does not cause a transition to program mode or erase mode.
5. A RAM area cannot be erased by execution of software in accordance with the erase algorithm.
6. Block area EB0 contains the vector table. When performing RAM emulation, the vector table is needed in the overlap RAM.



**Figure 16.8 Example of RAM Overlap Operation**

## 16.8 Flash Memory Programming/Erasing

A software method using the CPU is employed to program and erase flash memory in the on-board programming modes. Depending on the FLMCR1 setting, the flash memory operates in one of the following four modes: Program mode, program-verify mode, erase mode, and erase-verify mode. The programming control program in boot mode and the user program/erase control program in user program mode use these operating modes in combination to perform programming/erasing. Flash memory programming and erasing should be performed in accordance with the descriptions in section 16.8.1, Program/Program-Verify and section 16.8.2, Erase/Erase-Verify, respectively.



### 16.8.1 Program/Program-Verify

When writing data or programs to the flash memory, the program/program-verify flowchart shown in Figure 16.9 should be followed. Performing programming operations according to this flowchart will enable data or programs to be written to the flash memory without subjecting the chip to voltage stress or sacrificing program data reliability.

1. Programming must be done to an empty address. Do not reprogram an address to which programming has already been performed.
2. Programming should be carried out 128 bytes at a time. A 128-byte data transfer must be performed even if writing fewer than 128 bytes. In this case, H'FF data must be written to the extra addresses.
3. Prepare the following data storage areas in RAM: A 128-byte programming data area, a 128-byte reprogramming data area, and a 128-byte additional-programming data area. Perform reprogramming data computation and additional programming data computation according to Figure 16.9.
4. Consecutively transfer 128 bytes of data in byte units from the reprogramming data area or additional-programming data area to the flash memory. The program address and 128-byte data are latched in the flash memory. The lower eight bits of the start address in the flash memory destination area must be H'00 or H'80.
5. The time during which the P bit is set to 1 is the programming time. Figure 16.9 shows the allowable programming times.
6. The watchdog timer (WDT) is set to prevent overprogramming due to program runaway, etc. An overflow cycle of  $(\gamma + z2 + \alpha + \beta)$   $\mu\text{s}$  is allowed.
7. For a dummy write to a verify address, write 1-byte data H'FF to an address whose lower two bits are B'00. Verify data can be read in longwords from the address to which a dummy write was performed.
8. The maximum number of repetitions of the program/program-verify sequence of the same bit must not exceed (N).

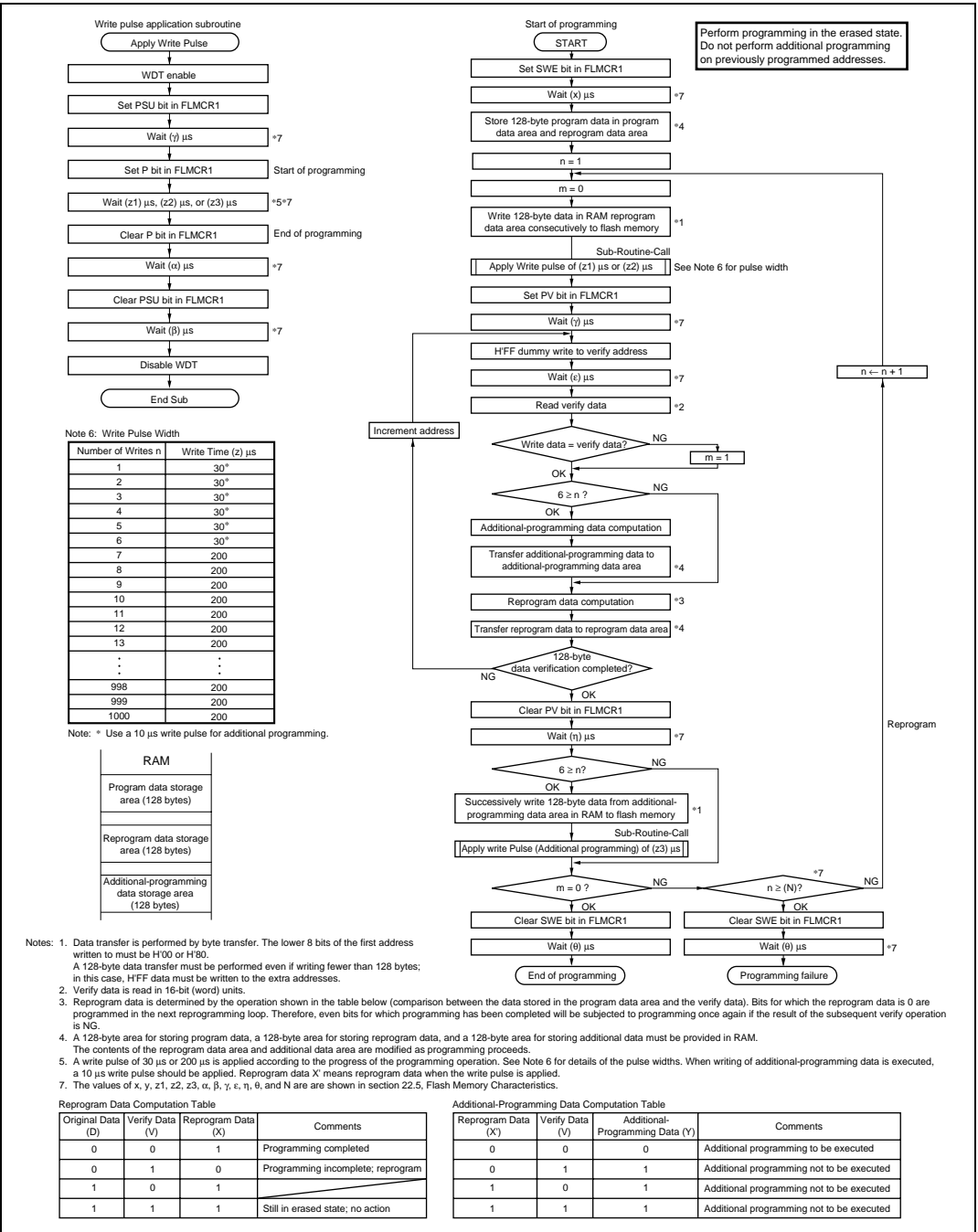


Figure 16.9 Program/Program-Verify Flowchart

### 16.8.2 Erase/Erase-Verify

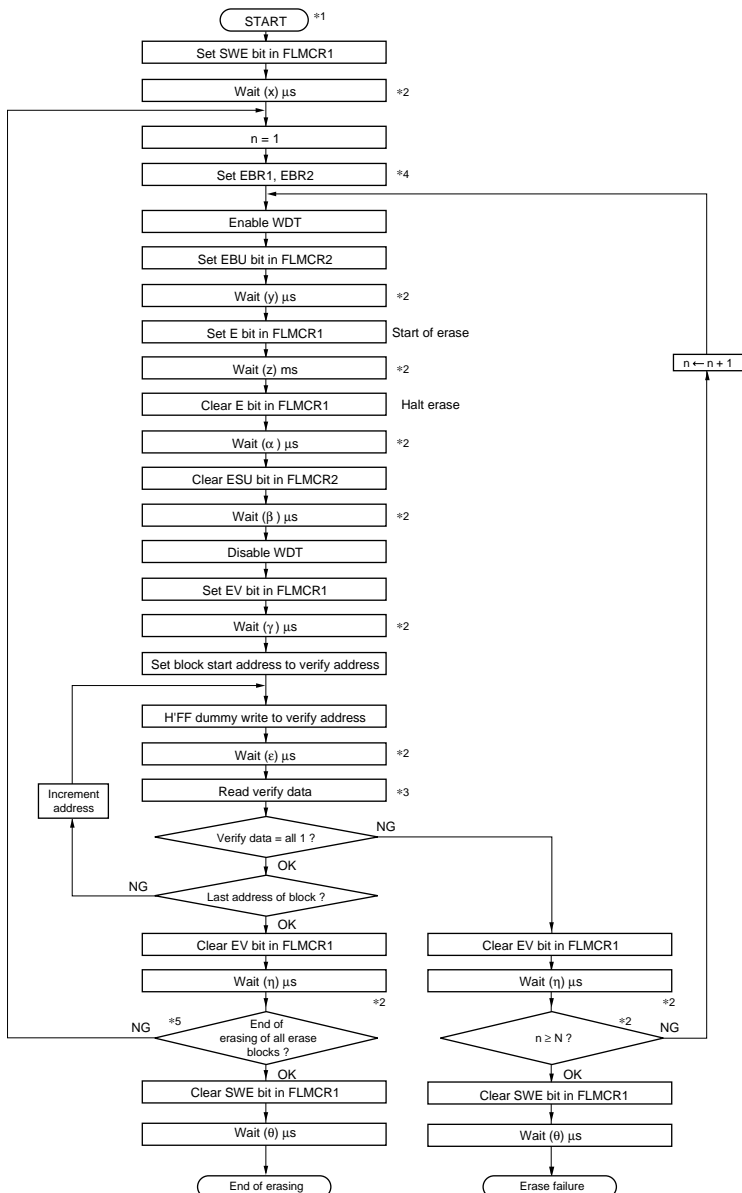
When erasing flash memory, the erase/erase-verify flowchart shown in figure 16.10 should be followed.

1. Prewriting (setting erase block data to all 0s) is not necessary.
2. Erasing is performed in block units. Make only a single-bit specification in erase block register1 (EBR1) and erase block register2 (EBR2). To erase multiple blocks, each block must be erased in turn.
3. The time during which the E bit is set to 1 is the flash memory erase time.
4. The watchdog timer (WDT) is set to prevent overerasing due to program runaway, etc. An overflow cycle higher than  $(y + z + \alpha + \beta)$  ms is allowed.
5. For a dummy write to a verify address, write 1-byte data H'FF to an address whose lower two bits are B'00. Verify data can be read in longwords from the address to which a dummy write was performed.
6. If the read data is not erased successfully, set erase mode again, and repeat the erase/erase-verify sequence as before. The maximum number of repetitions of the erase/erase-verify sequence must not exceed (N).

### 16.8.3 Interrupt Handling when Programming/Erasing Flash Memory

All interrupts, including the  $\overline{\text{NMI}}$  interrupt, are disabled while flash memory is being programmed or erased, or while the boot program is executing, for the following three reasons:

1. Interrupt during programming/erasing may cause a violation of the programming or erasing algorithm, with the result that normal operation cannot be assured.
2. If interrupt exception handling starts before the vector address is written or during programming/erasing, a correct vector cannot be fetched and the CPU malfunctions.
3. If an interrupt occurs during boot program execution, normal boot mode sequence cannot be carried out.



- Notes:
1. Preprogramming (setting erase block data to all 0) is not necessary.
  2. The values of  $x$ ,  $y$ ,  $z$ ,  $\alpha$ ,  $\beta$ ,  $\gamma$ ,  $\epsilon$ ,  $\eta$ , and  $\theta$  are shown in section 22.5, Flash Memory Characteristics.
  3. Verify data is read in 16-bit(W) units.
  4. Set only one bit in EBR1 or EBR2. More than one bit cannot be set.
  5. Erasing is performed in block units. To erase a number of blocks, the individual blocks must be erased sequentially.

Figure 16.10 Erase/Erase-Verify Flowchart

## 16.9 Program/Erase Protection

There are three kinds of flash memory program/erase protection; hardware protection, software protection, and error protection.

### 16.9.1 Hardware Protection

Hardware protection refers to a state in which programming/erasing of flash memory is forcibly disabled or aborted because of a transition to reset or standby mode. Flash memory control register 1 (FLMCR1), flash memory control register 2 (FLMCR2), erase block register 1 (EBR1), and erase block register2 (EBR2) are initialized. In a reset via the  $\overline{\text{RES}}$  pin, the reset state is not entered unless the  $\overline{\text{RES}}$  pin is held low until oscillation stabilizes after powering on. In the case of a reset during operation, hold the  $\overline{\text{RES}}$  pin low for the  $\overline{\text{RES}}$  pulse width specified in the AC Characteristics section.

### 16.9.2 Software Protection

Software protection can be implemented against programming/erasing of all flash memory blocks by clearing the SWE bit in FLMCR1. When software protection is in effect, setting the P1 or E1 bit in FLMCR1 does not cause a transition to program mode or erase mode. By setting erase block register 1 (EBR1) or erase block register2 (EBR2), erase protection can be set for individual blocks. When EBR1 and EBR2 are set to H'00, erase protection is set for all blocks.

Setting the RAMS bit in RAMER also implements protection against programming/erasing of all flash memory blocks.

### 16.9.3 Error Protection

In error protection, an error is detected when CPU runaway occurs during flash memory programming/erasing, or operation is not performed in accordance with the program/erase algorithm, and the program/erase operation is aborted. Aborting the program/erase operation prevents damage to the flash memory due to overprogramming or overerasing.

When the following errors are detected during programming/erasing of flash memory, the FLER bit in FLMCR2 is set to 1, and the error protection state is entered.

- When the flash memory of the relevant address area is read during programming/erasing (including vector read and instruction fetch)
- Immediately after exception handling (excluding a reset) during programming/erasing
- When a SLEEP instruction is executed during programming/erasing

The FLMCR1, FLMCR2, EBR1, and EBR2 settings are retained, however program mode or erase mode is aborted at the point at which the error occurred. Program mode or erase mode cannot be re-entered by re-setting the P or E bit. However, PV and EV bit setting is enabled, and a transition can be made to verify mode. Error protection can be cleared only by a power-on reset.

## 16.10 Programmer Mode

In programmer mode, a PROM programmer can be used to perform programming/erasing via a socket adapter, just as for a discrete flash memory. Use a PROM programmer that supports the Renesas Technology's 128-kbyte flash memory on-chip MCU device type (FZTAT128V5A).

## 16.11 Power-Down States for Flash Memory

In user mode, the flash memory will operate in either of the following states:

- Normal operating mode  
The flash memory can be read and written to.
- Power-down mode: Part of the power supply circuitry is halted, and the flash memory can be read when the LSI is operating on the subclock.
- Standby mode  
All flash memory circuits are halted.

Table 16.6 shows the correspondence between the operating modes of this LSI and the flash memory. When the flash memory returns to its normal operating state from standby mode, a period to stabilize the power supply circuits that were stopped is needed. When the flash memory returns to its normal operating state, bits STS2 to STS0 in SBYCR must be set to provide a wait time of at least 20  $\mu$ s, even when the external clock is being used.

**Table 16.6 Flash Memory Operating States**

<b>LSI Operating State</b>	<b>Flash Memory Operating State</b>
High-speed mode	Normal mode
Medium-speed mode	
Sleep mode	
Subactive mode	When PDWND = 0: Power-down mode (read-only)
Subsleep mode	When PDWND = 1: Normal mode (read-only)
Watch mode	Standby mode
Software standby mode	
Hardware standby mode	

## 16.12 Flash Memory and Power-Down Modes

In power-down modes, flash memory registers (FLMCR1, FLMCR2, EBR1, EBR2, RAMER, and FLPWCR) cannot be read from or written to.





## Section 17 Flash Memory (F-ZTAT Version) [H8S/2280 Group]

The features of the flash memory are summarized below.

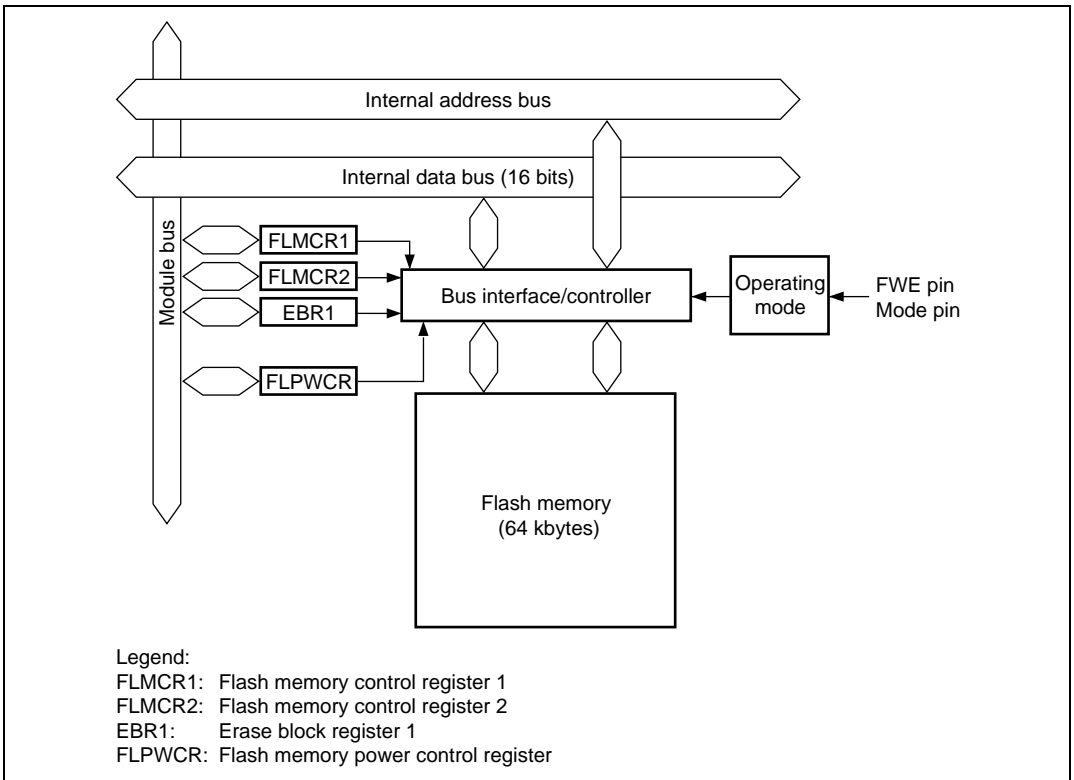
The block diagram of the flash memory is shown in figure 17.1.

### 17.1 Features

- Size: 64 kbytes
- Programming/erase methods
  - The flash memory is programmed 128 bytes at a time. Erase is performed in single-block units. The flash memory is configured as follows: 28 kbytes  $\times$  1 block, 16 kbytes  $\times$  1 block, 8 kbytes  $\times$  2 blocks, and 1 kbyte  $\times$  4 blocks. To erase the entire flash memory, each block must be erased in turn.
- Reprogramming capability
  - The flash memory can be reprogrammed up to 100 times.
- Three programming modes
  - Boot mode
  - User mode
  - Programmer mode

On-board programming/erasing can be done in boot mode, in which the boot program built into the chip is started to erase or program of the entire flash memory. In normal user program mode, individual blocks can be erased or programmed.

- Programmer mode
  - Flash memory can be programmed/erased in programmer mode using a PROM programmer, as well as in on-board programming mode.
- Automatic bit rate adjustment
  - For data transfer in boot mode, this LSI's bit rate can be automatically adjusted to match the transfer bit rate of the host.
- Programming/erasing protection
  - Sets software protection against flash memory programming/erasing.



**Figure 17.1 Block Diagram of Flash Memory**

## 17.2 Mode Transitions

When the mode pins and the FWE pin are set in the reset state and a reset-start is executed, this LSI enters an operating mode as shown in figure 17.2. In user mode, flash memory can be read but not programmed or erased.

The boot, user program and programmer modes are provided as modes to write and erase the flash memory.

The differences between boot mode and user program mode are shown in table 17.1.

Figure 17.3 shows the operation flow for boot mode and figure 17.4 shows that for user program mode.

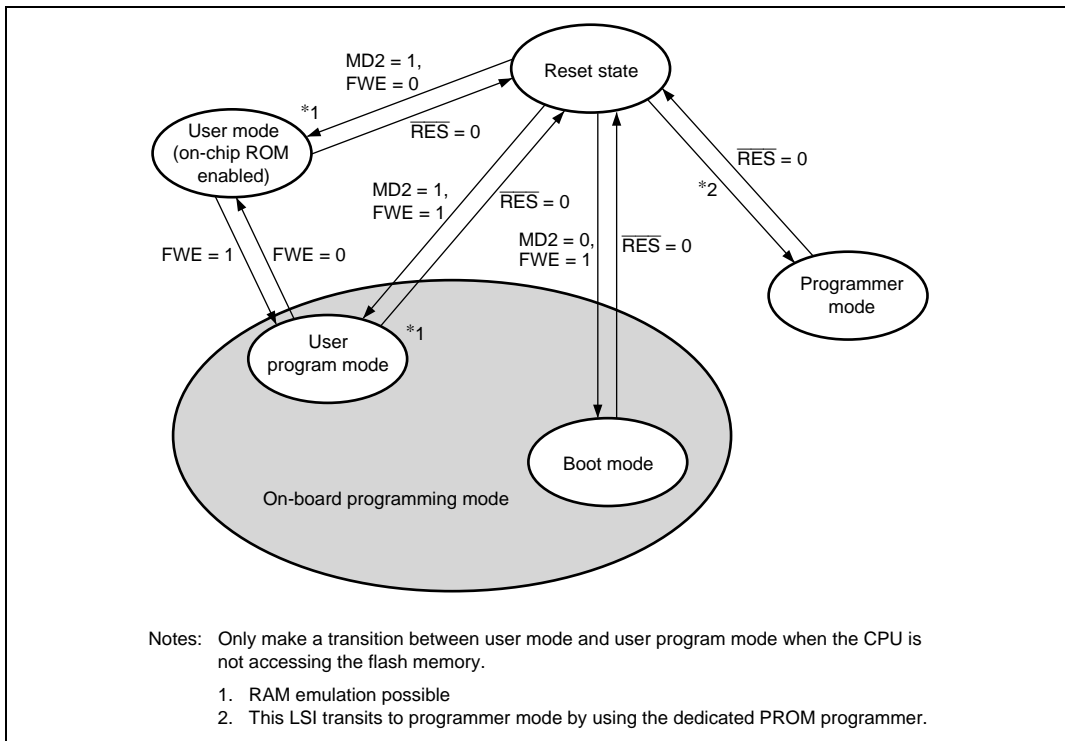


Figure 17.2 Flash Memory State Transitions

Table 17.1 Differences between Boot Mode and User Program Mode

	Boot Mode	User Program Mode
Total erase	Yes	Yes
Block erase	No	Yes
Programming control program*	(2)	(1) (2) (3)

(1) Erase/erase-verify

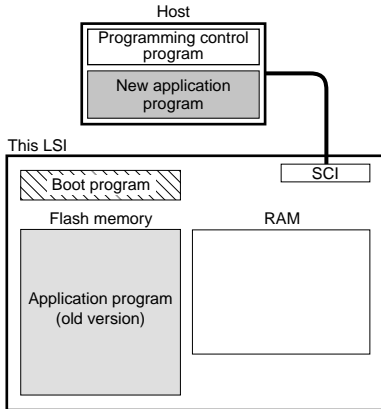
(2) Program/program-verify

(3) Emulation

Note: \* To be provided by the user, in accordance with the recommended algorithm.

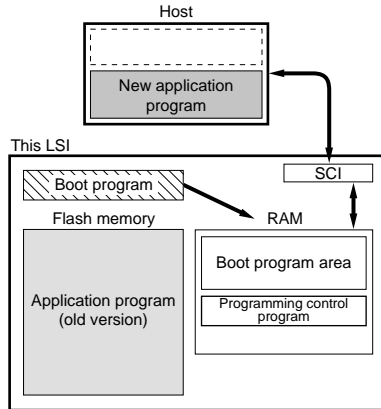
## 1. Initial state

The old program version or data remains written in the flash memory. The user should prepare the programming control program and new application program beforehand in the host.



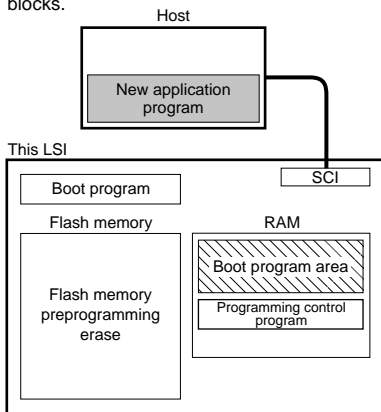
## 2. Programming control program transfer

When boot mode is entered, the boot program in this LSI (originally incorporated in the chip) is started and the programming control program in the host is transferred to RAM via SCI communication. The boot program required for flash memory erasing is automatically transferred to the RAM boot program area.



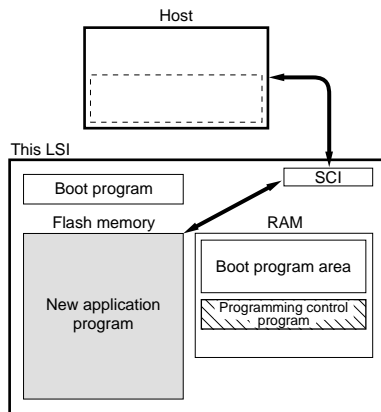
## 3. Flash memory initialization

The erase program in the boot program area (in RAM) is executed, and the flash memory is initialized (to H'FF). In boot mode, total flash memory erasure is performed, without regard to blocks.



## 4. Writing new application program

The programming control program transferred from the host to RAM is executed, and the new application program in the host is written into the flash memory.




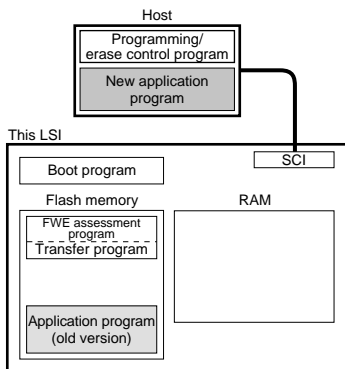
 Program execution state

Figure 17.3 Boot Mode

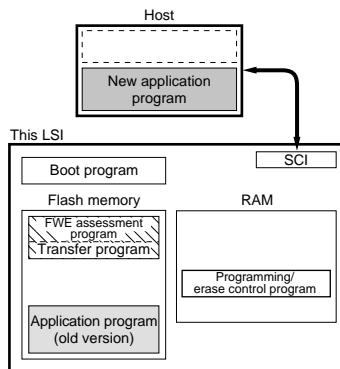
## 1. Initial state

The FWE assessment program that confirms that user program mode has been entered, and the program that will transfer the programming/erase control program from flash memory to on-chip RAM should be written into the flash memory by the user beforehand. The programming/erase control program should be prepared in the host or in the flash memory.



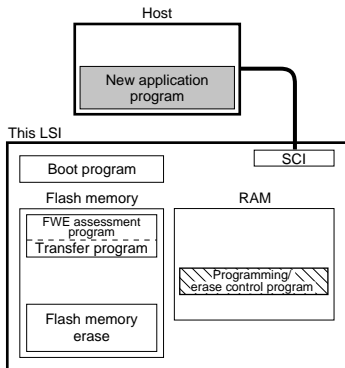
## 2. Programming/erase control program transfer

When user program mode is entered, user software confirms this fact, executes transfer program in the flash memory, and transfers the programming/erase control program to RAM.



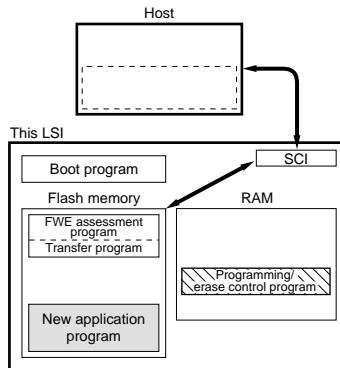
## 3. Flash memory initialization


The programming/erase program in RAM is executed, and the flash memory is initialized (to H'FF). Erasing can be performed in block units, but not in byte units.



## 4. Writing new application program

Next, the new application program in the host is written into the erased flash memory blocks. Do not write to unerased blocks.



 Program execution state

**Figure 17.4 User Program Mode**

## 17.3 Block Configuration

Figure 17.5 shows the block configuration of 64-kbyte flash memory. The thick lines indicate erasing units, the narrow lines indicate programming units, and the values are addresses. The flash memory is divided into 28 kbytes (1 block), 16 kbytes (1 block), 8 kbytes (2 blocks), and 1 kbyte (4 blocks). Erasing is performed in these units. Programming is performed in 128-byte units starting from an address with lower eight bits H'00 or H'80.

EB0 Erase unit 1 kbyte	H'000000	H'000001	H'000002	← Programming unit: 128 bytes →	H'00007F
	H'000380	H'000381	H'000382		H'0003FF
	H'000400	H'000401	H'000402	← Programming unit: 128 bytes →	H'00047F
	H'000780	H'000781	H'000782		H'0007FF
EB1 Erase unit 1 kbyte	H'000800	H'000801	H'000802	← Programming unit: 128 bytes →	H'00087F
	H'000B80	H'000B81	H'000B82		H'000BFF
	H'000C00	H'000C01	H'000C02	← Programming unit: 128 bytes →	H'000C7F
	H'000F80	H'000F81	H'000F82		H'000FFF
EB2 Erase unit 1 kbyte	H'001000	H'001001	H'001002	← Programming unit: 128 bytes →	H'00107F
	H'007F80	H'007F81	H'007F82		H'007FFF
	H'008000	H'008001	H'008002	← Programming unit: 128 bytes →	H'00807F
	H'00BF80	H'00BF81	H'00BF82		H'00BFFF
EB3 Erase unit 1 kbyte	H'00C000	H'00C001	H'00C002	← Programming unit: 128 bytes →	H'00C07F
	H'00DF80	H'00DF81	H'00DF82		H'00DFFF
	H'00E000	H'00E001	H'00E002	← Programming unit: 128 bytes →	H'00E07F
	H'00FF80	H'00FF81	H'00FF82		H'00FFFF
EB4 Erase unit 28 kbytes					
EB5 Erase unit 16 kbytes					
EB6 Erase unit 8 kbytes					
EB7 Erase unit 8 kbytes					

Figure 17.5 Flash Memory Block Configuration

## 17.4 Input/Output Pins

The flash memory is controlled by means of the pins shown in table 17.2.

**Table 17.2 Pin Configuration**

Pin Name	I/O	Function
$\overline{\text{RES}}$	Input	Reset
FWE	Input	Flash program/erase protection by hardware
MD2	Input	Sets this LSI's operating mode
MD0	Input	Sets this LSI's operating mode
TxD1	Output	Serial transmit data output
RxD1	Input	Serial receive data input

## 17.5 Register Descriptions

The flash memory has the following registers.

- Flash memory control register 1 (FLMCR1)
- Flash memory control register 2 (FLMCR2)
- Erase block register 1 (EBR1)
- Flash memory power control register (FLPWCR)

### 17.5.1 Flash Memory Control Register 1 (FLMCR1)

FLMCR1 is a register that makes the flash memory change to program mode, program-verify mode, erase mode, or erase-verify mode. For details on register setting, refer to section 17.7, Flash Memory Programming/Erasing.

Bit	Bit Name	Initial Value	R/W	Description
7	FWE	—	R	Reflects the input level at the FWE pin. It is cleared to 0 when a low level is input to the FWE pin, and set to 1 when a high level is input.
6	SWE	0	R/W	Software Write Enable Bit When this bit is set to 1, flash memory programming/erasing is enabled. When this bit is cleared to 0, other FLMCR1 register bits and all EBR1 bits cannot be set.
5	ESU	0	R/W	Erase Setup Bit When this bit is set to 1, the flash memory changes to the erase setup state. When it is cleared to 0, the erase setup state is cancelled.
4	PSU	0	R/W	Program Setup Bit When this bit is set to 1, the flash memory changes to the program setup state. When it is cleared to 0, the program setup state is cancelled. Set this bit to 1 before setting the P bit in FLMCR1.
3	EV	0	R/W	Erase-Verify When this bit is set to 1, the flash memory changes to erase-verify mode. When it is cleared to 0, erase-verify mode is cancelled.
2	PV	0	R/W	Program-Verify When this bit is set to 1, the flash memory changes to program-verify mode. When it is cleared to 0, program-verify mode is cancelled.
1	E	0	R/W	Erase When this bit is set to 1, and while the SWE and ESU bits are 1, the flash memory changes to erase mode. When it is cleared to 0, erase mode is cancelled.
0	P	0	R/W	Program When this bit is set to 1, and while the SWE and PSU bits are 1, the flash memory changes to program mode. When it is cleared to 0, program mode is cancelled.



### 17.5.2 Flash Memory Control Register 2 (FLMCR2)

FLMCR2 is a register that displays the state of flash memory programming/erasing. FLMCR2 is a read-only register, and should not be written to.

Bit	Bit Name	Initial Value	R/W	Description
7	FLER	0	R	Indicates that an error has occurred during an operation on flash memory (programming or erasing). When FLER is set to 1, flash memory goes to the error-protection state. See 17.8.3, Error Protection, for details.
6 to 0	—	All 0	—	Reserved These bits are always read as 0.

### 17.5.3 Erase Block Register 1 (EBR1)

EBR1 specifies the flash memory erase area block. EBR1 is initialized to H'00 when the SWE bit in FLMCR1 is 0. Do not set more than one bit at a time, as this will cause all the bits in EBR1 to be automatically cleared to 0.

Bit	Bit Name	Initial Value	R/W	Description
7	EB7	0	R/W	When this bit is set to 1, 8 kbytes of EB7 (H'00E000 to H'00FFFF) will be erased.
6	EB6	0	R/W	When this bit is set to 1, 8 kbytes of EB6 (H'00C000 to H'00DFFF) will be erased.
5	EB5	0	R/W	When this bit is set to 1, 16 kbytes of EB5 (H'008000 to H'00BFFF) will be erased.
4	EB4	0	R/W	When this bit is set to 1, 28 kbytes of EB4 (H'001000 to H'007FFF) will be erased.
3	EB3	0	R/W	When this bit is set to 1, 1 kbyte of EB3 (H'000C00 to H'000FFF) will be erased.
2	EB2	0	R/W	When this bit is set to 1, 1 kbyte of EB2 (H'000800 to H'000BFF) will be erased.
1	EB1	0	R/W	When this bit is set to 1, 1 kbyte of EB1 (H'000400 to H'0007FF) will be erased.
0	EB0	0	R/W	When this bit is set to 1, 1 kbyte of EB0 (H'000000 to H'0003FF) will be erased.

### 17.5.4 Flash Memory Power Control Register (FLPWCR)

FLPWCR enables or disables a transition to the flash memory power-down mode when this LSI switches to subactive mode.

Bit	Bit Name	Initial Value	R/W	Description
7	PDWND	0	R/W	When this bit is set to 1, the transition to flash memory power-down mode is disabled.
6 to 0	—	All 0	R	Reserved These bits are always read as 0.

## 17.6 On-Board Programming Modes

There are two modes for programming/erasing of the flash memory; boot mode, which enables on-board programming/erasing, and programmer mode, in which programming/erasing is performed with a PROM programmer. On-board programming/erasing can also be performed in user program mode. At reset-start in reset mode, this LSI changes to a mode depending on the MD pin settings and FWE pin setting, as shown in table 17.3. The input level of each pin must be defined four states before the reset ends.

When changing to boot mode, the boot program built into this LSI is initiated. The boot program transfers the programming control program from the externally-connected host to on-chip RAM via SCI\_1. After erasing the entire flash memory, the programming control program is executed. This can be used for programming initial values in the on-board state or for a forcible return when programming/erasing can no longer be done in user program mode. In user program mode, individual blocks can be erased and programmed by branching to the user program/erase control program prepared by the user.

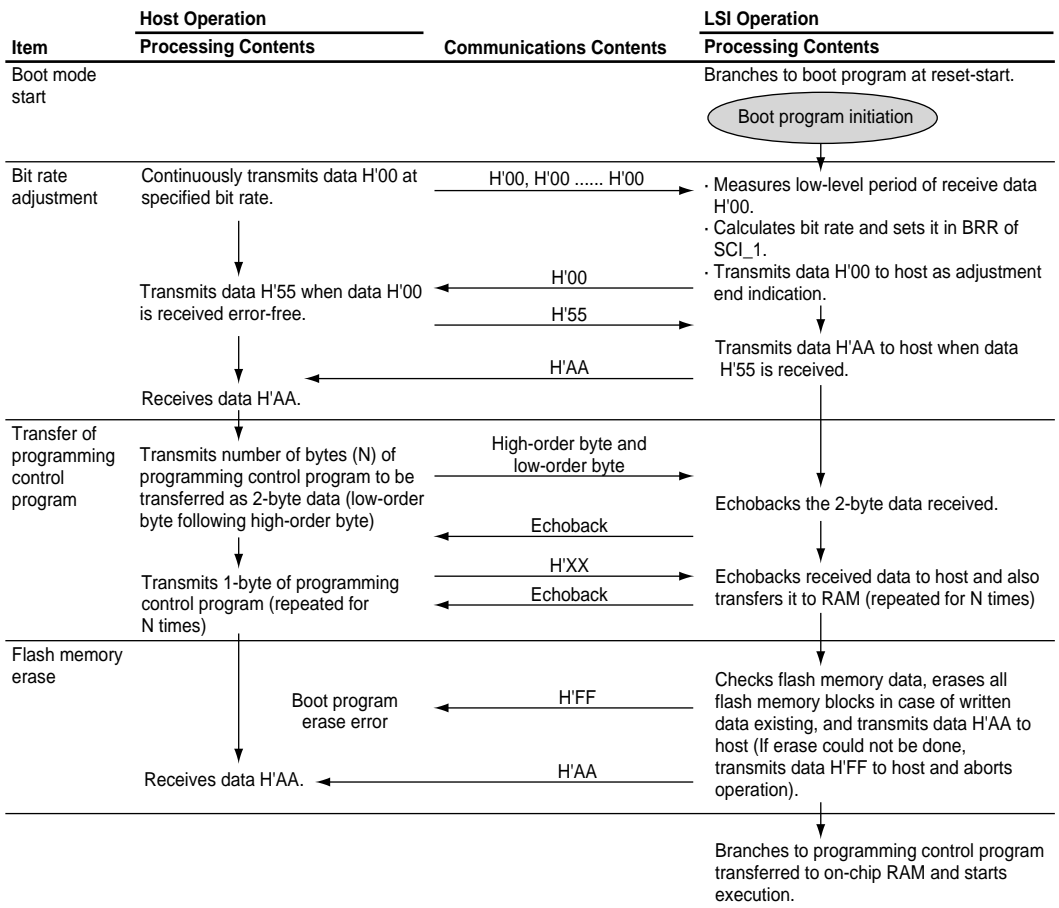
**Table 17.3 Setting On-Board Programming Modes**

MD2	MD0	FWE	LSI State after Reset End
1	1	1	User Mode
0	1	1	Boot Mode

### 17.6.1 Boot Mode

Table 17.4 shows the boot mode operations between reset end and branching to the programming control program.

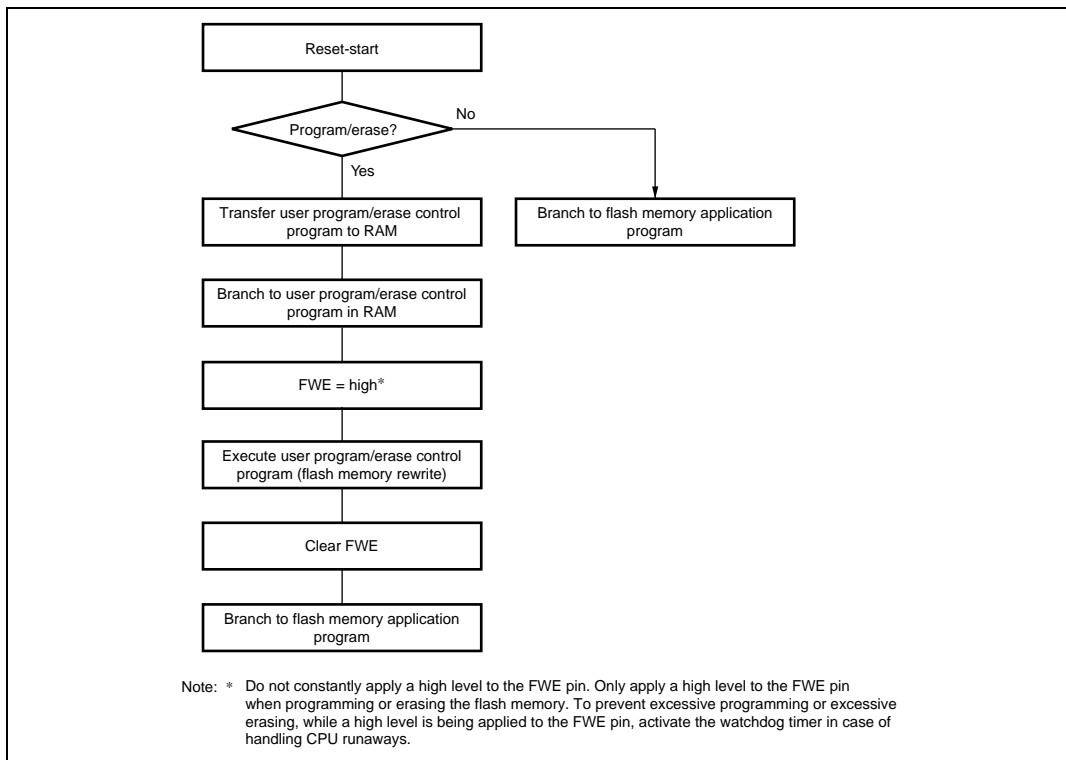
1. When boot mode is used, the flash memory programming control program must be prepared in the host beforehand. Prepare a programming control program in accordance with the description in section 17.7, Flash Memory Programming/Erasing.
2. SCI\_1 should be set to asynchronous mode, and the transfer format as follows: 8-bit data, 1 stop bit, and no parity.
3. When the boot program is initiated, the chip measures the low-level period of asynchronous SCI communication data (H'00) transmitted continuously from the host. The chip then calculates the bit rate of transmission from the host, and adjusts the SCI\_1 bit rate to match that of the host. The reset should end with the RxD pin high. The RxD and TxD pins should be pulled up on the board if necessary. After the reset is complete, it takes approximately 100 states before the chip is ready to measure the low-level period.
4. After matching the bit rates, the chip transmits one H'00 byte to the host to indicate the completion of bit rate adjustment. The host should confirm that this adjustment end indication (H'00) has been received normally, and transmit one H'55 byte to the chip. If reception could not be performed normally, initiate boot mode again by a reset. Depending on the host's transfer bit rate and system clock frequency of this LSI, there will be a discrepancy between the bit rates of the host and the chip. To operate the SCI properly, set the host's transfer bit rate and system clock frequency of this LSI within the ranges listed in table 17.5.
5. In boot mode, a part of the on-chip RAM area is used by the boot program. The area H'FFE800 to H'FFEFBF is the area to which the programming control program is transferred from the host. The boot program area cannot be used until the execution state in boot mode switches to the programming control program.
6. Before branching to the programming control program, the chip terminates transfer operations by SCI\_1 (by clearing the RE and TE bits in SCR to 0), however the adjusted bit rate value remains set in BRR. Therefore, the programming control program can still use it for transfer of write data or verify data with the host. The TxD pin is high. The contents of the CPU general registers are undefined immediately after branching to the programming control program. These registers must be initialized at the beginning of the programming control program, as the stack pointer (SP), in particular, is used implicitly in subroutine calls, etc.
7. Boot mode can be cleared by a reset. End the reset after driving the reset pin low, waiting at least 20 states, and then setting the mode (MD) pins. Boot mode is also cleared when a WDT overflow occurs.
8. Do not change the MD pin input levels in boot mode.
9. All interrupts are disabled during programming or erasing of the flash memory.

**Table 17.4 Boot Mode Operation****Table 17.5 System Clock Frequencies for which Automatic Adjustment of LSI Bit Rate Is Possible**

Host Bit Rate	System Clock Frequency Range of LSI
19,200 bps	20 MHz
9,600 bps	8 to 20 MHz
4,800 bps	4 to 20 MHz

## 17.6.2 Programming/Erasing in User Program Mode

On-board programming/erasing of an individual flash memory block can also be performed in user program mode by branching to a user program/erase control program. The user must set branching conditions and provide on-board means of supplying programming data. The flash memory must contain the user program/erase control program or a program that provides the user program/erase control program from external memory. As the flash memory itself cannot be read during programming/erasing, transfer the user program/erase control program to on-chip RAM, as in boot mode. Figure 17.6 shows a sample procedure for programming/erasing in user program mode. Prepare a user program/erase control program in accordance with the description in section 17.7, Flash Memory Programming/Erasing.



**Figure 17.6 Programming/Erasing Flowchart Example in User Program Mode**

## 17.7 Flash Memory Programming/Erasing

A software method using the CPU is employed to program and erase flash memory in the on-board programming modes. Depending on the FLMCR1 setting, the flash memory operates in one of the following four modes: Program mode, program-verify mode, erase mode, and erase-verify mode. The programming control program in boot mode and the user program/erase control program in user program mode use these operating modes in combination to perform programming/erasing. Flash memory programming and erasing should be performed in accordance with the descriptions in section 17.7.1, Program/Program-Verify and 17.7.2, Erase/Erase-Verify, respectively.

### 17.7.1 Program/Program-Verify

When writing data or programs to the flash memory, the program/program-verify flowchart shown in figure 17.7 should be followed. Performing programming operations according to this flowchart will enable data or programs to be written to the flash memory without subjecting the chip to voltage stress or sacrificing program data reliability.

1. Programming must be done to an empty address. Do not reprogram an address to which programming has already been performed.
2. Programming should be carried out 128 bytes at a time. A 128-byte data transfer must be performed even if writing fewer than 128 bytes. In this case, H'FF data must be written to the extra addresses.
3. Prepare the following data storage areas in RAM: A 128-byte programming data area, a 128-byte reprogramming data area, and a 128-byte additional-programming data area. Perform reprogramming data computation and additional programming data computation according to figure 17.7.
4. Consecutively transfer 128 bytes of data in byte units from the reprogramming data area or additional-programming data area to the flash memory. The program address and 128-byte data are latched in the flash memory. The lower 8 bits of the start address in the flash memory destination area must be H'00 or H'80.
5. The time during which the P1 bit is set to 1 is the programming time. Figure 17.7 shows the allowable programming times.
6. The watchdog timer (WDT) is set to prevent overprogramming due to program runaway, etc. An overflow cycle of approximately 6.6 ms is allowed.
7. For a dummy write to a verify address, write 1-byte data H'FF to an address whose lower 2 bits are B'00. Verify data can be read in longwords from the address to which a dummy write was performed.
8. The maximum number of repetitions of the program/program-verify sequence of the same bit is 1,000.

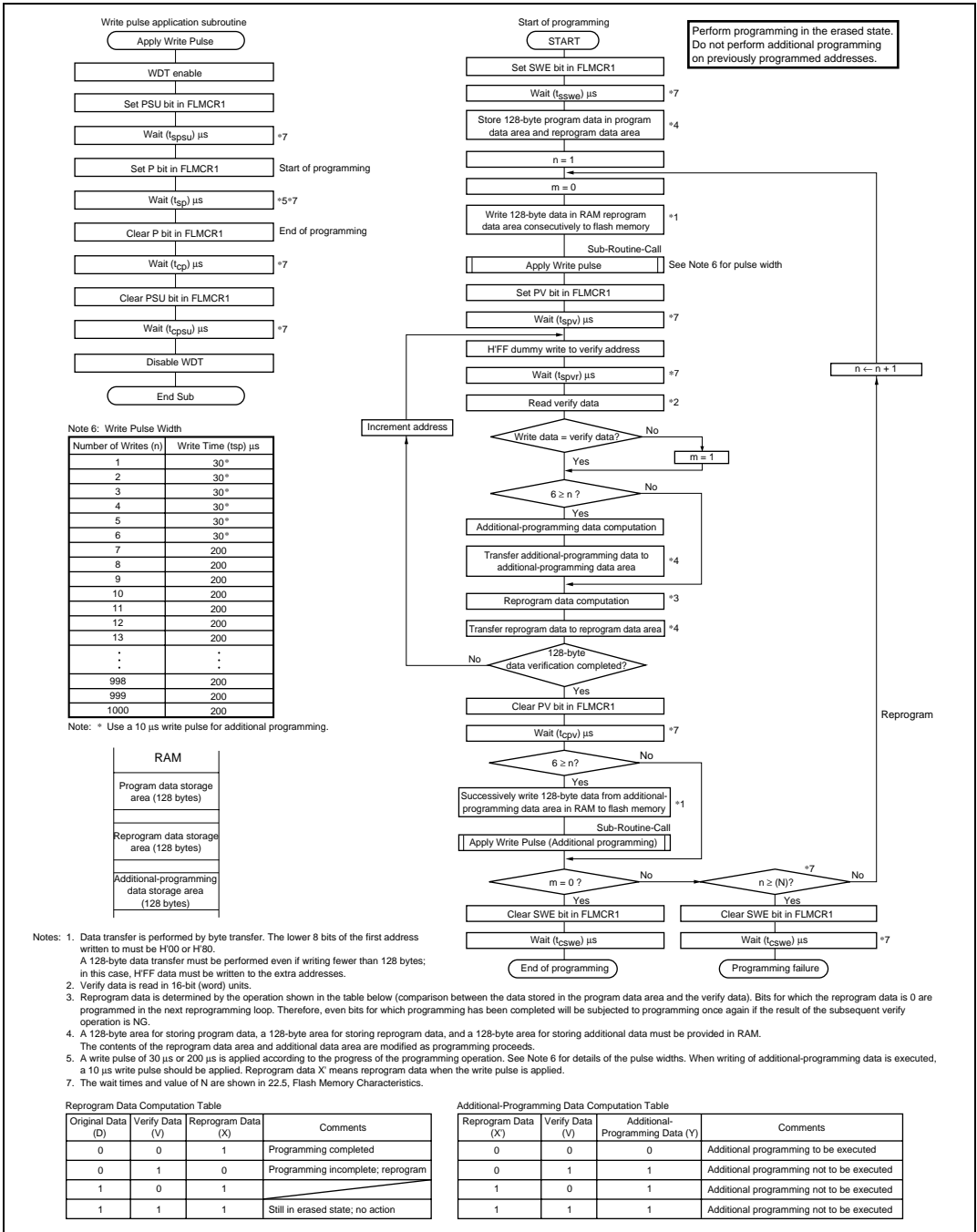


Figure 17.7 Program/Program-Verify Flowchart



### 17.7.2 Erase/Erase-Verify

When erasing flash memory, the erase/erase-verify flowchart shown in figure 17.8 should be followed.

1. Prewriting (setting erase block data to all 0s) is not necessary.
2. Erasing is performed in block units. Make only a single-bit specification in the erase block register (EBR1). To erase multiple blocks, each block must be erased in turn.
3. The time during which the E1 bit is set to 1 is the flash memory erase time.
4. The watchdog timer (WDT) is set to prevent overerasing due to program runaway, etc. An overflow cycle of approximately 19.8 ms is allowed.
5. For a dummy write to a verify address, write 1-byte data H'FF to an address whose lower two bits are B'00. Verify data can be read in longwords from the address to which a dummy write was performed.
6. If the read data is not erased successfully, set erase mode again, and repeat the erase/erase-verify sequence as before. The maximum number of repetitions of the erase/erase-verify sequence is 100.

### 17.7.3 Interrupt Handling when Programming/Erasing Flash Memory

All interrupts, including the  $\overline{\text{NMI}}$  interrupt, are disabled while flash memory is being programmed or erased, or while the boot program is executing, for the following three reasons:

1. Interrupt during programming/erasing may cause a violation of the programming or erasing algorithm, with the result that normal operation cannot be assured.
2. If interrupt exception handling starts before the vector address is written or during programming/erasing, a correct vector cannot be fetched and the CPU malfunctions.
3. If an interrupt occurs during boot program execution, normal boot mode sequence cannot be carried out.

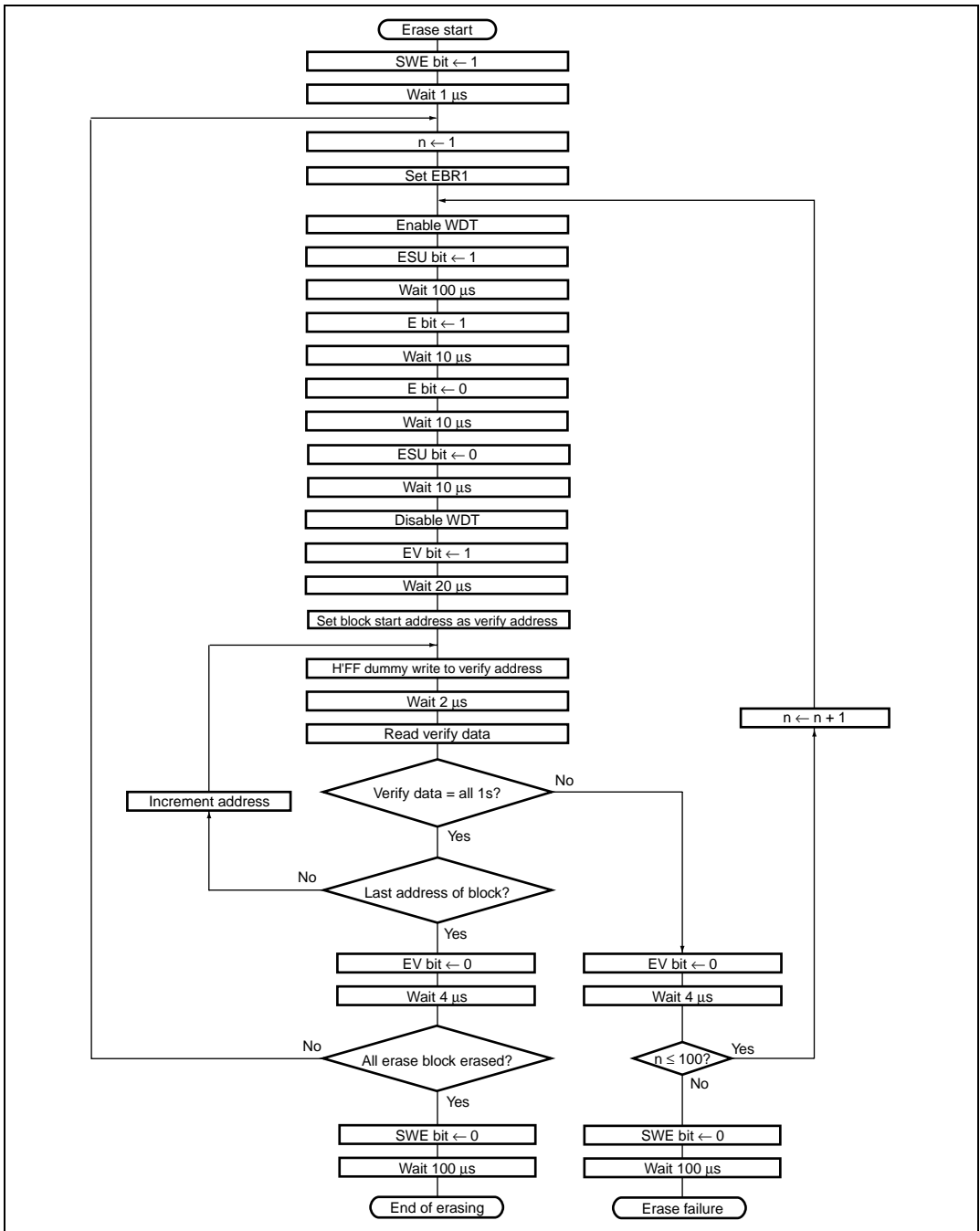


Figure 17.8 Erase/Erase-Verify Flowchart

## 17.8 Program/Erase Protection

There are three kinds of flash memory program/erase protection; hardware protection, software protection, and error protection.

### 17.8.1 Hardware Protection

Hardware protection refers to a state in which programming/erasing of flash memory is forcibly disabled or aborted because of a transition to reset or standby mode. Flash memory control register 1 (FLMCR1), flash memory control register 2 (FLMCR2), and erase block register 1 (EBR1) are initialized. In a reset via the  $\overline{\text{RES}}$  pin, the reset state is not entered unless the  $\overline{\text{RES}}$  pin is held low until oscillation stabilizes after powering on. In the case of a reset during operation, hold the  $\overline{\text{RES}}$  pin low for the  $\overline{\text{RES}}$  pulse width specified in the AC Characteristics section.

### 17.8.2 Software Protection

Software protection can be implemented against programming/erasing of all flash memory blocks by clearing the SWE bit in FLMCR1. When software protection is in effect, setting the P or E bit in FLMCR1 does not cause a transition to program mode or erase mode. By setting the erase block register 1 (EBR1), erase protection can be set for individual blocks. When EBR1 is set to H'00, erase protection is set for all blocks.

### 17.8.3 Error Protection

In error protection, an error is detected when CPU runaway occurs during flash memory programming/erasing, or operation is not performed in accordance with the program/erase algorithm, and the program/erase operation is aborted. Aborting the program/erase operation prevents damage to the flash memory due to overprogramming or overerasing.

When the following errors are detected during programming/erasing of flash memory, the FLER bit in FLMCR2 is set to 1, and the error protection state is entered.

- When the flash memory of the relevant address area is read during programming/erasing (including vector read and instruction fetch)
- Immediately after exception handling (excluding a reset) during programming/erasing
- When a SLEEP instruction is executed during programming/erasing

The FLMCR1, FLMCR2, and EBR1 settings are retained, however program mode or erase mode is aborted at the point at which the error occurred. Program mode or erase mode cannot be re-

entered by re-setting the P or E bit. However, PV and EV bit setting is enabled, and a transition can be made to verify mode. Error protection can be cleared only by a power-on reset.

## 17.9 Programmer Mode

In programmer mode, a PROM programmer can be used to perform programming/erasing via a socket adapter, just as for a discrete flash memory. Use a PROM programmer that supports the 64-kbyte flash memory on-chip MCU device type (FZTAT64V5A).

## 17.10 Power-Down States for Flash Memory

In user mode, the flash memory will operate in either of the following states.

- Normal operating mode  
The flash memory can be read and written to.
- Power-down mode  
Part of the power supply circuitry is halted, and the flash memory can be read when the LSI is operating on the subclock.
- Standby mode  
All flash memory circuits are halted.

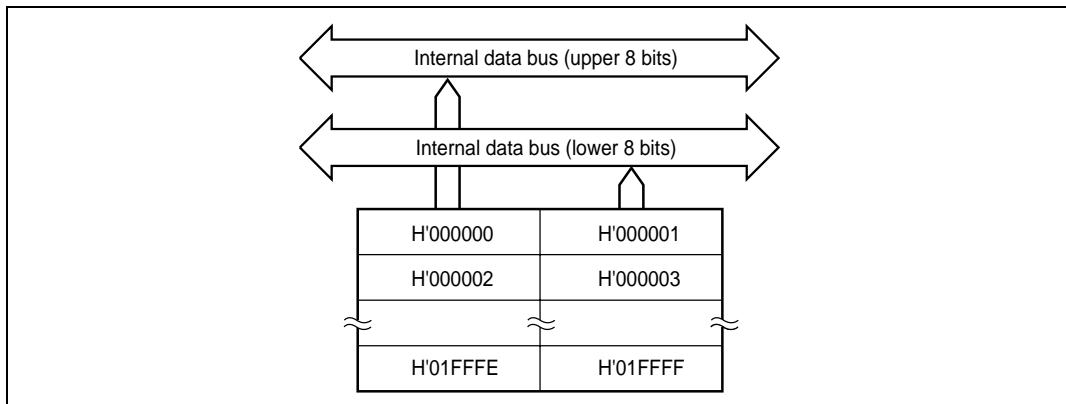
Table 17.6 shows the correspondence between the operating modes of this LSI and the flash memory. When the flash memory returns to its normal operating state from standby mode, a period to stabilize the power supply circuits that were stopped is needed. When the flash memory returns to its normal operating state, bits STS2 to STS0 in SBYCR must be set to provide a wait time of at least 2 ms, even when the external clock is being used.

**Table 17.6 Flash Memory Operating States**

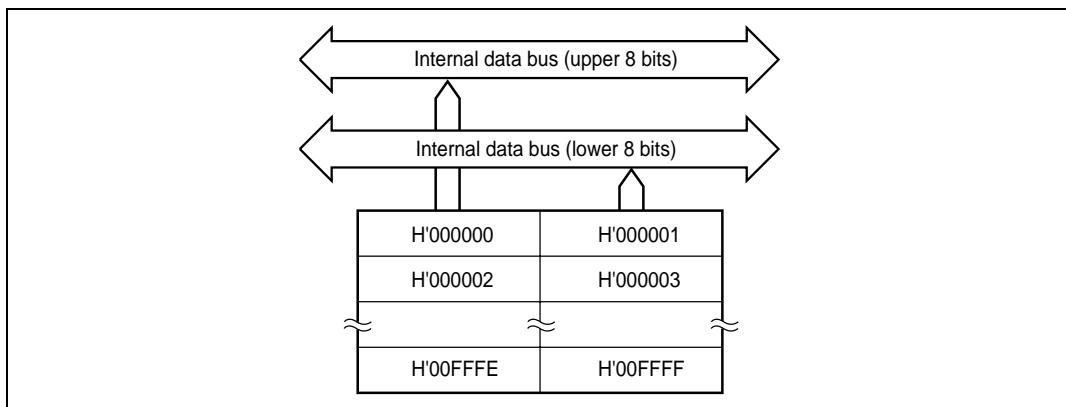
LSI Operating State	Flash Memory Operating State
High-speed mode	Normal operating mode
Medium-speed mode	
Sleep mode	
Subactive mode	When PDWND = 0: Power-down mode (read-only)
Subsleep mode	When PDWND = 1: Normal operating mode (read-only)
Watch mode	Standby mode
Software standby mode	
Hardware standby mode	

## Section 18 Mask ROM

This LSI has 64 or 128 kbytes of on-chip mask ROM. On-chip ROM is connected to the CPU via a 16-bit data bus. Data in on-chip ROM can always be accessed by one state.



**Figure 18.1 Block Diagram of 128-Kbyte Masked ROM (HD6432282)**



**Figure 18.2 Block Diagram of 64-Kbyte Masked ROM (HD6432281)**

## 18.1 Note on Switching from F-ZTAT Version to Masked ROM Version

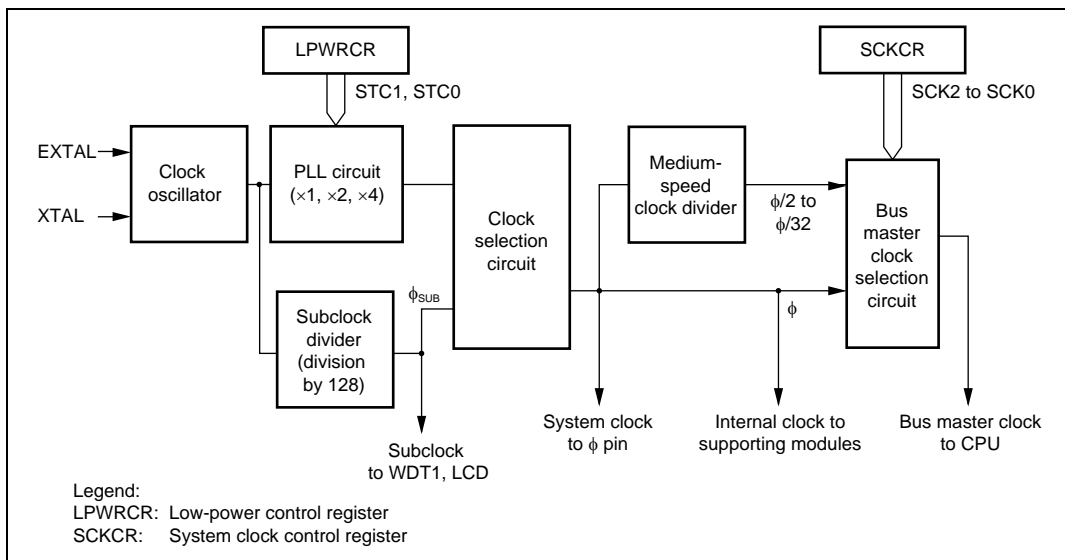
The masked ROM version does not have the internal registers for flash memory control that are provided in the F-ZTAT version. Table 18.1 lists the registers that are present in the F-ZTAT version but not in the masked ROM version. If a register listed in table 18.1 is read in the masked ROM version, an undefined value will be returned. Therefore, if application software developed on the F-ZTAT version is switched to a masked ROM version product, it must be modified to ensure that the registers in table 18.1 have no effect.

**Table 18.1 Register Present in F-ZTAT Version but Absent in Masked ROM Version**

<b>Register</b>	<b>Abbreviation</b>	<b>Address</b>
Flash memory control register 1	FLMCR1	H'FFA8
Flash memory control register 2	FLMCR2	H'FFA9
Erase block designate register 1	EBR1	H'FFAA
Erase block designate register 2	EBR2	H'FFAB
RAM emulation register	RAMER	H'FEDB
Flash memory power control register	FLPWCR	H'FFAC

## Section 19 Clock Pulse Generator

This LSI has an on-chip clock pulse generator that generates the system clock ( $\phi$ ), the bus master clock, internal clocks, and subclock. The clock pulse generator consists of an oscillator, PLL circuit, subclock divider, clock selection circuit, medium-speed clock divider, and bus master clock selection circuit. A block diagram of the clock pulse generator is shown in figure 19.1.



**Figure 19.1 Block Diagram of Clock Pulse Generator**

The frequency can be changed by means of the PLL circuit. Frequency changes are performed by software by settings in the low-power control register (LPWRCR) and system clock control register (SCKCR).

### 19.1 Register Descriptions

The on-chip clock pulse generator has the following registers.

- System clock control register (SCKCR)
- Low-power control register (LPWRCR)

### 19.1.1 System Clock Control Register (SCKCR)

SCKCR performs  $\phi$  clock output control, selection of operation when the PLL circuit frequency multiplication factor is changed, and medium-speed mode control.

Bit	Bit Name	Initial Value	R/W	Description
7	PSTOP	0	R/W	<p><math>\phi</math> Clock Output Disable</p> <p>Controls <math>\phi</math> output.</p> <ul style="list-style-type: none"> <li>High-speed Mode, Medium-Speed Mode               <ul style="list-style-type: none"> <li>0: <math>\phi</math> output</li> <li>1: Fixed high</li> </ul> </li> <li>Sleep Mode               <ul style="list-style-type: none"> <li>0: <math>\phi</math> output</li> <li>1: Fixed high</li> </ul> </li> <li>Software Standby Mode               <ul style="list-style-type: none"> <li>0: Fixed high</li> <li>1: Fixed high</li> </ul> </li> <li>Hardware Standby Mode               <ul style="list-style-type: none"> <li>0: High impedance</li> <li>1: High impedance</li> </ul> </li> </ul>
6 to 4	—	All 0	—	<p>Reserved</p> <p>These bits are always read as 0.</p>
3	STCS	0	R/W	<p>Frequency Multiplication Factor Switching Mode Select</p> <p>Selects the operation when the PLL circuit frequency multiplication factor is changed.</p> <ul style="list-style-type: none"> <li>0: Specified multiplication factor is valid after transition to software standby mode</li> <li>1: Specified multiplication factor is valid immediately after the STC1 and STC0 bits are rewritten</li> </ul>



---

Bit	Bit Name	Initial Value	R/W	Description
2	SCK2	0	R/W	System Clock Select 0 to 2
1	SCK1	0	R/W	These bits select the bus master clock.
0	SCK0	0	R/W	000: High-speed mode 001: Medium-speed clock is $\phi/2$ 010: Medium-speed clock is $\phi/4$ 011: Medium-speed clock is $\phi/8$ 100: Medium-speed clock is $\phi/16$ 101: Medium-speed clock is $\phi/32$ 11X: Setting prohibited

---

Legend:

X: Don't care

### 19.1.2 Low-Power Control Register (LPWRCR)

LPWRCR performs power-down mode control, subclock generation control, oscillation circuit feedback resistance control, and frequency multiplication factor setting.

Bit	Bit Name	Initial Value	R/W	Description
7	DTON	0	R/W	See section 20.1.2, Low-Power Control Register (LPWRCR).
6	LSON	0	R/W	
5	—	0	R/W	Reserved Only write 0 to this bit.
4	SUBSTP	0	R/W	Subclock Generation Control 0: Enables subclock generation 1: Disables subclock generation
3	RFCUT	0	R/W	Oscillation Circuit Feedback Resistance Control 0: When the main clock is oscillating, sets the feedback resistance ON. When the main clock is stopped, sets the feedback resistance OFF. 1: Sets the feedback resistance OFF. Modification becomes valid after returning to software standby transfer. Note: With a crystal resonator, the resonator will not operate if this bit is set to 1.
2	—	0	R/W	Reserved Only write 0 to this bit.
1	STC1	0	R/W	Frequency Multiplication Factor
0	STC0	0	R/W	The STC bits specify the frequency multiplication factor of the PLL circuit. 00: ×1 01: ×2 10: ×4 11: Setting prohibited

## 19.2 Oscillator

Clock pulses can be supplied by connecting a crystal resonator, or by input of an external clock. In either case, the input clock should not exceed 4 MHz to 20 MHz.

### 19.2.1 Connecting a Crystal Resonator

Circuit Configuration: A crystal resonator can be connected as shown in the example in figure 19.2. Select the damping resistance  $R_d$  according to table 19.2. An AT-cut parallel-resonance crystal should be used.

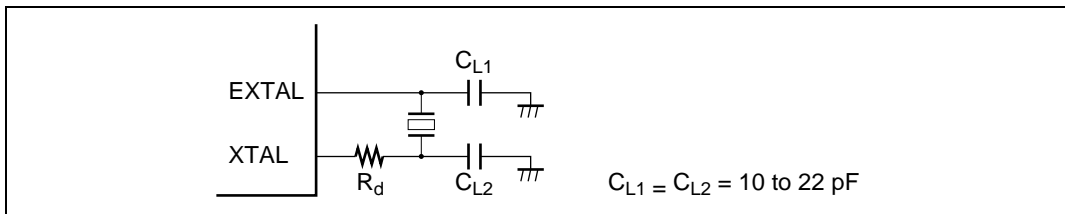


Figure 19.2 Connection of Crystal Resonator (Example)

Table 19.1 Damping Resistance Value

Frequency (MHz)	4	8	12	16	20
$R_d$ ( $\Omega$ )	500	200	0	0	0

Figure 19.3 shows the equivalent circuit of the crystal resonator. Use a crystal resonator that has the characteristics shown in table 19.2.

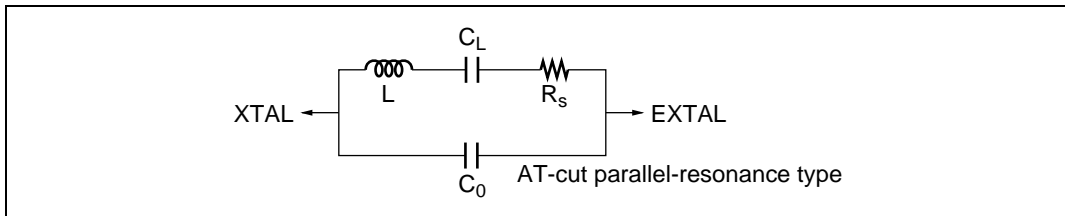


Figure 19.3 Crystal Resonator Equivalent Circuit

**Table 19.2 Crystal Resonator Characteristics**

Frequency (MHz)	4	8	12	16	20
$R_s$ max ( $\Omega$ )	120	80	60	50	40
$C_0$ max (pF)	7	7	7	7	7

### 19.2.2 External Clock Input

Circuit Configuration: An external clock signal can be input as shown in the examples in figure 19.4. If the XTAL pin is left open, ensure that stray capacitance does not exceed 10 pF. When complementary clock is input to the XTAL pin, the external clock input should be fixed high in standby mode.

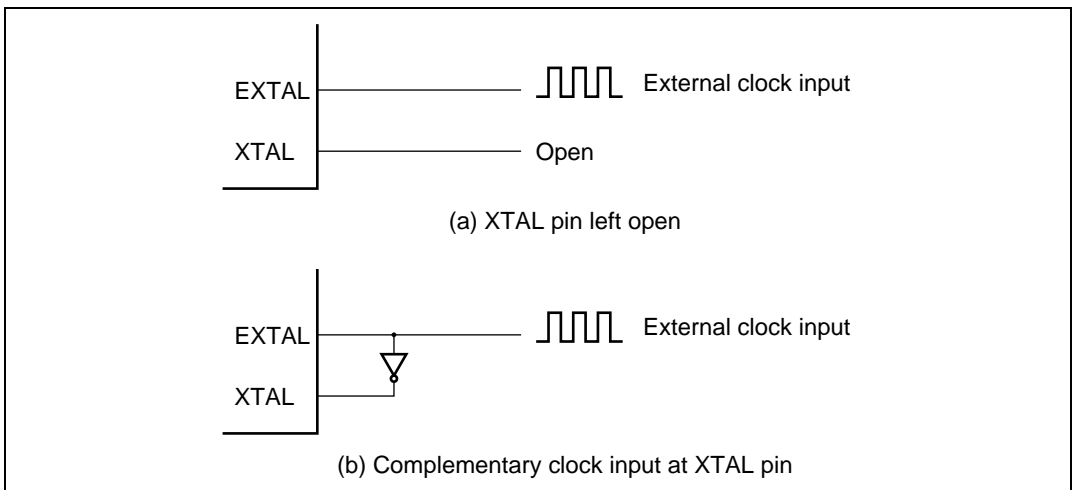
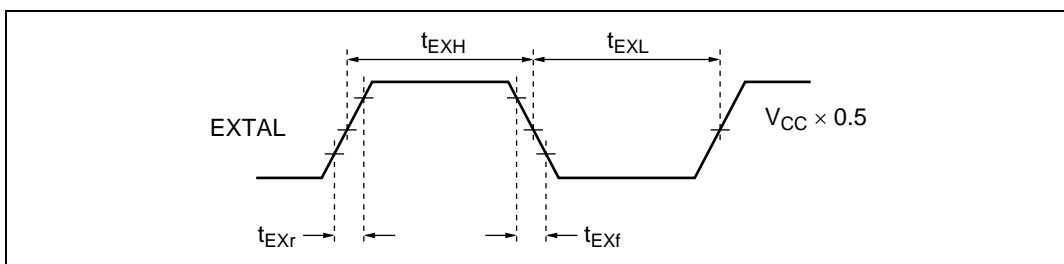
**Figure 19.4 External Clock Input (Examples)**

Table 19.3 shows the input conditions for the external clock.

**Table 19.3 External Clock Input Conditions**

Item	Symbol	$V_{CC} = 5.0 V \pm 10\%$		Unit	Test Conditions
		Min.	Max.		
External clock input low pulse width	$t_{EXL}$	15	—	ns	Figure 19.5
External clock input high pulse width	$t_{EXH}$	15	—	ns	
External clock rise time	$t_{EXr}$	—	5	ns	
External clock fall time	$t_{EXf}$	—	5	ns	
Clock low pulse width level	$t_{CL}$	0.4	0.6	$t_{cyc}$	$\phi \geq 5 \text{ MHz}$
		80	—	ns	$\phi < 5 \text{ MHz}$
Clock high pulse width level	$t_{CH}$	0.4	0.6	$t_{cyc}$	$\phi \geq 5 \text{ MHz}$
		80	—	ns	$\phi < 5 \text{ MHz}$

**Figure 19.5 External Clock Input Timing**

### 19.3 PLL Circuit

The PLL circuit multiplies the frequency of the clock from the oscillator by a factor of 1, 2, or 4. The multiplication factor is set by the STC0 and STC1 bits in LPWRCR. The phase of the rising edge of the internal clock is controlled so as to match that at the EXTAL pin.

When the multiplication factor of the PLL circuit is changed, the operation varies according to the setting of the STCS bit in SCKCR.

When STCS = 0, the setting becomes valid after a transition to software standby mode. The transition time count is performed in accordance with the setting of bits STS0 to STS2 in SBYCR. For details on SBYCR, see section 20.1.1, Standby Control Register (SBYCR).

1. The initial PLL circuit multiplication factor is 1.
2. STS0 to STS2 are set to give the specified transition time.
3. The target value is set in STC0 and STC1, and a transition is made to software standby mode.
4. The clock pulse generator stops and the value set in STC0 and STC1 becomes valid.
5. Software standby mode is cleared, and a transition time is secured in accordance with the setting in STS0 to STS2.
6. After the set transition time has elapsed, this LSI resumes operation using the target multiplication factor.

## 19.4 Subclock Divider

The subclock divider divides the clock generated by the oscillator by 128 to generate a subclock. When using the subclock as a system clock, the compensation by software is needed.

## 19.5 Medium-Speed Clock Divider

The medium-speed clock divider divides the system clock to generate  $\phi/2$ ,  $\phi/4$ ,  $\phi/8$ ,  $\phi/16$ , and  $\phi/32$ .

## 19.6 Bus Master Clock Selection Circuit

The bus master clock selection circuit selects the clock supplied to the bus master by setting the bits SCK 2 to SCK0 in SCKCR. The bus master clock can be selected from high-speed mode, or medium-speed clocks ( $\phi/2$ ,  $\phi/4$ ,  $\phi/8$ ,  $\phi/16$ , and  $\phi/32$ ).

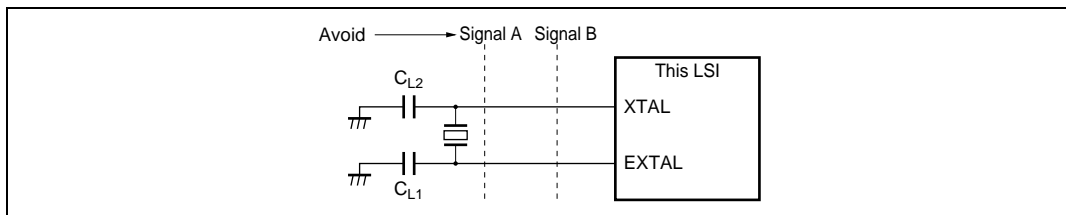
## 19.7 Usage Notes

### 19.7.1 Note on Crystal Resonator

As various characteristics related to the crystal resonator are closely linked to the user's board design, thorough evaluation is necessary on the user's part, using the resonator connection examples shown in this section as a guide. As the resonator circuit ratings will depend on the floating capacitance of the resonator and the mounting circuit, the ratings should be determined in consultation with the resonator manufacturer. The design must ensure that a voltage exceeding the maximum rating is not applied to the oscillator pin.

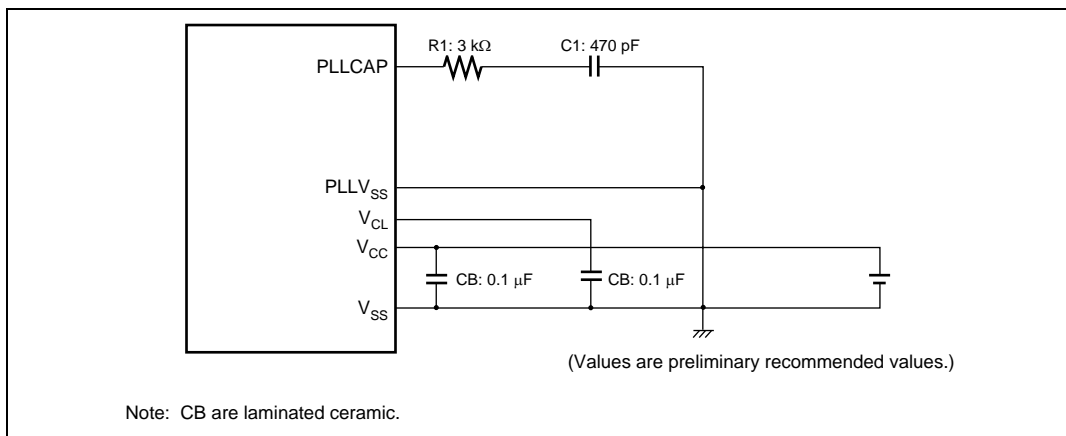
### 19.7.2 Note on Board Design

When designing the board, place the crystal resonator and its load capacitors as close as possible to the XTAL and EXTAL pins. Other signal lines should be routed away from the oscillator circuit, as shown in figure 19.6. This is to prevent induction from interfering with correct oscillation.



**Figure 19.6 Note on Board Design of Oscillator Circuit**

Figure 19.7 shows external circuitry recommended to be provided around the PLL circuit. Place oscillation stabilization capacitor C1 and resistor R1 close to the PLLCAP pin, and ensure that no other signal lines cross this line. Separate PLLV<sub>CL</sub> and PLLV<sub>SS</sub> from the other V<sub>CC</sub> and V<sub>SS</sub> lines at the board power supply source, and be sure to insert bypass capacitors CB close to the pins.



**Figure 19.7 External Circuitry Recommended for PLL Circuit**





## Section 20 Power-Down Modes

In addition to the normal program execution state, this LSI has power-down modes in which operation of the CPU and oscillator is halted and power dissipation is reduced. Low-power operation can be achieved by individually controlling the CPU, on-chip peripheral modules, and so on.

This LSI's operating modes are as follows:

- High-speed mode
- Medium-speed mode
- Subactive mode
- Sleep mode
- Subsleep mode
- Watch mode
- Module stop mode
- Software standby mode
- Hardware standby mode

Sleep mode and subsleep mode are CPU states, medium-speed mode is a CPU and bus master state, subactive mode is a CPU, bus master, and on-chip peripheral function state, and module stop mode is an on-chip peripheral function (including bus masters other than the CPU) state. Some of these states can be combined.

After a reset, the LSI operates in high-speed mode or module stop mode.

Figure 20.1 shows the mode transition diagram. Table 20.1 shows the conditions for transition to each mode when a SLEEP instruction is executed, and table 20.2 shows the internal state of the LSI in each mode.

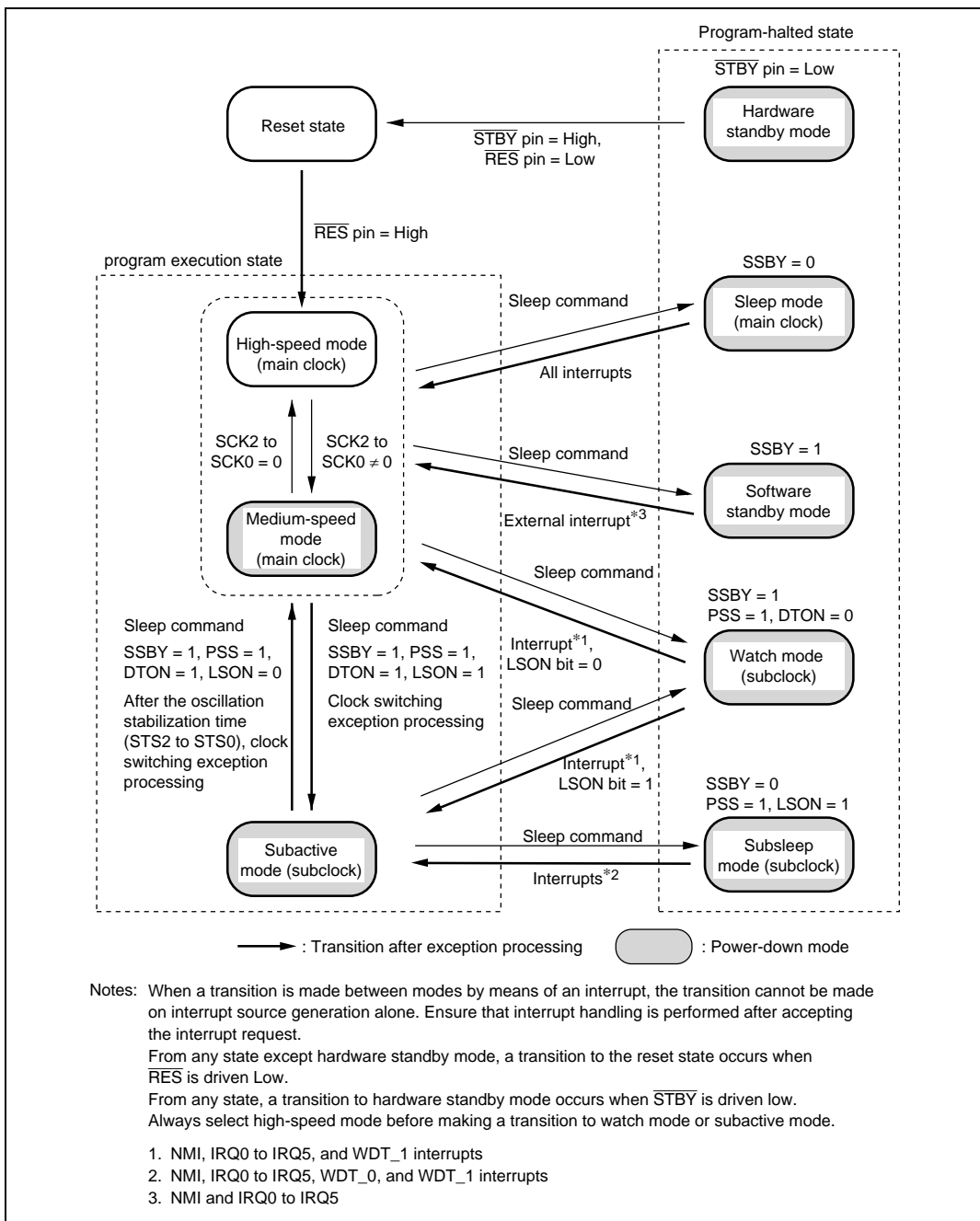


Figure 20.1 Mode Transition Diagram

Table 20.1 Power-Down Mode Transition Conditions

Pre-Transition State	Status of Control Bit at Transition				State after Transition Invoked by SLEEP Instruction	State after Transition back from Power-Down Mode Invoked by Interrupt
	SSBY	PSS	LSON	DTON		
High-speed/ Medium-speed	0	*	0	*	Sleep	High-speed/Medium-speed
	0	*	1	*	—	—
	1	0	0	*	Software standby	High-speed/Medium-speed
	1	0	1	*	—	—
	1	1	0	0	Watch	High-speed
	1	1	1	0	Watch	Subactive
	1	1	0	1	—	—
	1	1	1	1	Subactive	—
Subactive	0	0	*	*	—	—
	0	1	0	*	—	—
	0	1	1	*	Subsleep	Subactive
	1	0	*	*	—	—
	1	1	0	0	Watch	High-speed
	1	1	1	0	Watch	Subactive
	1	1	0	1	High-speed	—
	1	1	1	1	—	—

## Legend:

- \*: Don't care
- : Setting prohibited

Table 20.2 LSI Internal States in Each Mode

Function		High-Speed	Medium-Speed	Sleep	Module Stop	Watch	Subactive	Subsleep	Software Standby	Hardware Standby
System clock pulse generator		Functioning	Functioning	Functioning	Functioning	Functioning	Functioning	Functioning	Halted	Halted
CPU	Instructions Registers	Functioning	Medium-speed operation	Halted (retained)	High/medium-speed operation	Halted (retained)	Subclock operation	Halted (retained)	Halted (retained)	Halted (undefined)
External interrupts	NMI IRQ0 to IRQ5	Functioning	Functioning	Functioning	Functioning	Functioning	Functioning	Functioning	Functioning	Halted
Peripheral functions	WDT_1	Functioning	Functioning	Functioning	—	Subclock operation	Subclock operation	Subclock operation	Halted (retained)	Halted (reset)
	WDT_0	Functioning	Functioning	Functioning	—	Halted (retained)	Subclock operation	Subclock operation	Halted (retained)	Halted (reset)
	TPU_0	Functioning	Functioning	Functioning	Halted (retained)	Halted (retained)	Halted (retained)	Halted (retained)	Halted (retained)	Halted (reset)
	TPU_1									
	TPU_2									
	SCI_0	Functioning	Functioning	Functioning	Halted (reset)	Halted (reset)	Halted (reset)	Halted (reset)	Halted (reset)	Halted (reset)
	SCI_1									
	RWM									
	HCAN*									
	A/D									
	LCD	Functioning	Functioning	Functioning	Halted (retained)	Functioning	Functioning	Functioning	Halted (retained)	Halted (reset)
	RAM	Functioning	Functioning	Halted (retained)	Functioning	Retained	Functioning	Retained	Retained	Retained
	I/O	Functioning	Functioning	Functioning	Functioning	Retained	Functioning	Retained	Retained	High impedance

Notes: 1. "Halted (retained)" means that internal register values are retained. The internal state is "operation suspended."

2. "Halted (reset)" means that internal register values and internal states are initialized.

3. In module stop mode, only modules for which a stop setting has been made are halted (reset or retained).

4. When the LCD is operated in watch mode, subactive mode, or subsleep mode, select the subclock as a system clock.

\* This function is not implemented in the H8S/2280 Group.

## 20.1 Register Descriptions

Registers related to power-down modes are shown below. For details on the system clock control register (SCKCR), see section 19.1.1, System Clock Control Register (SCKCR).

- System clock control register (SCKCR)
- Standby control register (SBYCR)
- Low-power control register (LPWRCR)
- Module stop control register A (MSTPCRA)
- Module stop control register B (MSTPCRB)
- Module stop control register C (MSTPCRC)
- Module stop control register D (MSTPCRD)

### 20.1.1 Standby Control Register (SBYCR)

SBYCR performs software standby mode control.

Bit	Bit Name	Initial Value	R/W	Description
7	SSBY	0	R/W	<p>Software Standby</p> <p>This bit specifies the transition mode after executing the SLEEP instruction</p> <p>0: Shifts to sleep mode when the SLEEP instruction is executed</p> <p>1: Shifts to software standby mode when the SLEEP instruction is executed</p> <p>This bit does not change when clearing the software standby mode by using external interrupts and shifting to normal operation. This bit should be written with 0 when clearing.</p>

Bit	Bit Name	Initial Value	R/W	Description	
6	STS2	0	R/W	Standby Timer Select 0 to 2	
5	STS1	0	R/W	<p>These bits select the MCU wait time for clock stabilization when software standby mode is cancelled by an external interrupt. With a crystal oscillator (Table 20.3), select a wait time of 8 ms (oscillation stabilization time) or more, depending on the operating frequency. With an external clock, select a wait time of 2 ms or more.</p> <p>000: Standby time = 8192 states            001: Standby time = 16384 states            010: Standby time = 32768 states            011: Standby time = 65536 states            100: Standby time = 131072 states            101: Standby time = 262144 states            110: Reserved            111: Standby time = 16 states</p>	
4	STS0	0	R/W		
3	—	1	R/W		Reserved The write value should always be 1.
2 to 0	—	All 0	—		Reserved These bits are always read as 0 and cannot be modified.

### 20.1.2 Low-Power Control Register (LPWRCR)

LPWRCR is an 8-bit readable/writable register that performs power-down mode control, subclock generation control, oscillation circuit feedback resistance control, and frequency multiplication factor setting.

Bit	Bit Name	Initial Value	R/W	Description
7	DTON	0	R/W	<p>Direct Transition ON Flag</p> <p>0: When the SLEEP instruction is executed in high-speed mode or medium-speed mode, operation shifts to sleep mode, software standby mode, or watch mode*.</p> <p>When the SLEEP instruction is executed in subactive mode, operation shifts to subsleep mode or watch mode.</p> <p>1: When the SLEEP instruction is executed in high-speed mode or medium-speed mode, operation shifts directly to subactive mode*, or shifts to sleep mode or software standby mode. When the SLEEP instruction is executed in subactive mode, operation shifts directly to high-speed mode, or shifts to subsleep mode.</p>
6	LSON	0	R/W	<p>Low-Speed ON Flag</p> <p>0: When the SLEEP instruction is executed in high-speed mode or medium-speed mode, operation shifts to sleep mode, software standby mode, or watch mode*. When the SLEEP instruction is executed in subactive mode, operation shifts to watch mode or shifts directly to high-speed mode. Operation shifts to high-speed mode when watch mode is cancelled.</p> <p>1: When the SLEEP instruction is executed in high-speed mode, operation shifts to watch mode or subactive mode*. When the SLEEP instruction is executed in sub-active mode, operation shifts to subsleep mode or watch mode. Operation shifts to subactive mode when watch mode is cancelled.</p>
5	—	0	R/W	<p>Reserved</p> <p>This bit can be read from and written to. However, do not write 1 to this bit.</p>

Bit	Bit Name	Initial Value	R/W	Description
4	SUBSTP	0	R/W	Subclock Generation Control 0: Enables subclock generation 1: Disables subclock generation
3	RFCUT	0	R/W	Oscillation Circuit Feedback Resistance Control 0: When the main clock is oscillating, sets the feedback resistance ON. When the main clock is stopped, sets the feedback resistance OFF. 1: Sets the feedback resistance OFF. Note: With a crystal resonator, the resonator will not operate if this bit is set to 1.
2	—	0	R/W	Reserved This bit can be read from and written to. However, do not write 1 to this bit.
1	STC1	0	R/W	Frequency Multiplication Factor Setting
0	STC0	0	R/W	These bits specify the frequency multiplication factor of the PLL circuit. 00: x1 01: x2 10: x4 11: Setting prohibited

Note: \* Always set high-speed mode when shifting to watch mode or subactive mode.



### 20.1.3 Module Stop Control Registers A to D (MSTPCRA to MSTPCRD)

MSTPCR performs module stop mode control. Setting a bit to 1 causes the corresponding module to enter module stop mode. Clearing the bit to 0 clears the module stop mode.

- MSTPCRA

Bit	Bit Name	Initial Value	R/W	Module
7	MSTPA7* <sup>1</sup>	0	R/W	
6	MSTPA6* <sup>1</sup>	0	R/W	
5	MSTPA5	1	R/W	16-bit timer pulse unit (TPU)
4	MSTPA4* <sup>1</sup>	1	R/W	
3	MSTPA3* <sup>1</sup>	1	R/W	
2	MSTPA2* <sup>1</sup>	1	R/W	
1	MSTPA1	1	R/W	A/D converter
0	MSTPA0* <sup>1</sup>	1	R/W	

- MSTPCRB

Bit	Bit Name	Initial Value	R/W	Module
7	MSTPB7	1	R/W	Serial communication interface_0 (SCI_0)
6	MSTPB6	1	R/W	Serial communication interface_1 (SCI_1)
5	MSTPB5* <sup>1</sup>	1	R/W	
4	MSTPB4* <sup>1</sup>	1	R/W	
3	MSTPB3* <sup>1</sup>	1	R/W	
2	MSTPB2* <sup>1</sup>	1	R/W	
1	MSTPB1* <sup>1</sup>	1	R/W	
0	MSTPB0* <sup>1</sup>	1	R/W	

- MSTPCRC

Bit	Bit Name	Initial Value	R/W	Module
7	MSTPC7* <sup>1</sup>	1	R/W	
6	MSTPC6* <sup>1</sup>	1	R/W	
5	MSTPC5* <sup>1</sup>	1	R/W	
4	MSTPC4* <sup>1</sup>	1	R/W	
3	MSTPC3	1	R/W	Controller Area Network (HCAN)* <sup>2</sup>
2	MSTPC2* <sup>1</sup>	1	R/W	
1	MSTPC1* <sup>1</sup>	1	R/W	
0	MSTPC0* <sup>1</sup>	1	R/W	

- MSTPCRD

Bit	Bit Name	Initial Value	R/W	Module
7	MSTPD7	1	R/W	Motor control PWM timer (PWM)
6	MSTPD6	1	R/W	LCD controller/driver (LCD)
5	—	Undefined	—	
4	—	Undefined	—	
3	—	Undefined	—	
2	—	Undefined	—	
1	—	Undefined	—	
0	—	Undefined	—	

Notes: 1. MSTPA7 and MSTPA6 are readable/writable bits with an initial value of 0 and should always be written with 0.

MSTPA4 to MSTPA2, MSTPA0, MSTPB5 to MSTPB0, MSTPC7 to MSTPC4 and MSTPC2 to MSTPC0 are readable/writable bits with an initial value of 1 and should always be written with 1.

2. This function is not implemented in the H8S/2280 Group.

## 20.2 Medium-Speed Mode

When the SCK0 to SCK2 bits in SCKCR are set to 1, the operating mode changes to medium-speed mode as soon as the current bus cycle ends. In medium-speed mode, the CPU operates on the operating clock ( $\phi/2$ ,  $\phi/4$ ,  $\phi/8$ ,  $\phi/16$ , or  $\phi/32$ ) specified by the SCK0 to SCK2 bits. On-chip peripheral modules other than bus masters always operate on the high-speed clock ( $\phi$ ).

In medium-speed mode, a bus access is executed in the specified number of states with respect to the bus master operating clock. For example, if  $\phi/4$  is selected as the operating clock, on-chip memory is accessed in four states, and internal I/O registers in eight states.

Medium-speed mode is cleared by clearing all of bits SCK0 to SCK2 to 0. A transition is made to high-speed mode and medium-speed mode is cleared at the end of the current bus cycle.

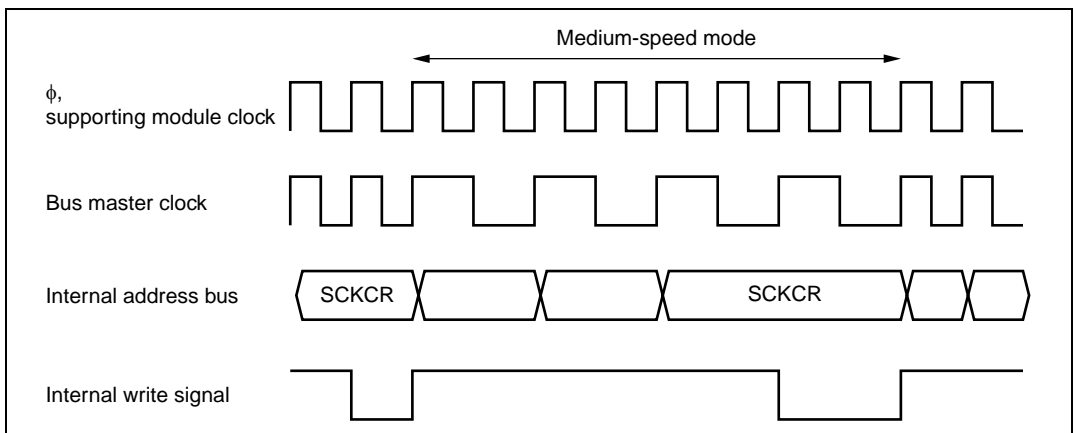
If the SLEEP instruction is executed when the SSBY bit in SBYCR is cleared to 0, a transition is made to sleep mode. When sleep mode is cleared by an interrupt, medium-speed mode is restored.

When the SLEEP instruction is executed with the SSBY bit is set to 1, operation shifts to the software standby mode. When software standby mode is cleared by an external interrupt, medium-speed mode is restored.

When the  $\overline{\text{RES}}$  pin is set low and medium-speed mode is cancelled, operation shifts to the reset state. The same applies in the case of a reset caused by overflow of the watchdog timer.

When the  $\overline{\text{STBY}}$  pin is driven low, a transition is made to hardware standby mode.

Figure 20.2 shows the timing for transition to and clearance of medium-speed mode.



**Figure 20.2 Medium-Speed Mode Transition and Clearance Timing**

## 20.3 Sleep Mode

### 20.3.1 Transition to Sleep Mode

If the SLEEP instruction is executed when the SSBY bit in SBYCR = 0, the CPU enters the sleep mode. In sleep mode, CPU operation stops, however the contents of the CPU's internal registers are retained. Other peripheral modules do not stop.

### 20.3.2 Clearing Sleep Mode

Sleep mode is cleared by any interrupt, or signals at the  $\overline{\text{RES}}$  or  $\overline{\text{STBY}}$  pin.

- Exiting sleep mode by interrupts:  
When an interrupt occurs, sleep mode is exited and interrupt exception processing starts. Sleep mode is not exited if the interrupt is disabled, or if interrupts other than NMI are masked by the CPU.
- Exiting sleep mode by  $\overline{\text{RES}}$  pin:  
Setting the  $\overline{\text{RES}}$  pin low selects the reset state. After the stipulated reset input duration, driving the  $\overline{\text{RES}}$  pin high restarts the CPU performing reset exception processing.
- Exiting sleep mode by  $\overline{\text{STBY}}$  pin:  
When the  $\overline{\text{STBY}}$  pin level is driven low, a transition is made to hardware standby mode.

## 20.4 Software Standby Mode

### 20.4.1 Transition to Software Standby Mode

A transition is made to software standby mode if the SLEEP instruction is executed when the SSBY bit is set to 1. In this mode, the CPU, on-chip peripheral modules, and oscillator, all stop. However, the contents of the CPU's internal registers, on-chip RAM data, and the states of on-chip peripheral modules other than the SCI, PWM, HCAN\*, and A/D converter, and the states of I/O ports, are retained. In this mode, the oscillator stops, and therefore power dissipation is significantly reduced.

Note: \* This function is not implemented in the H8S/2280 Group.

### 20.4.2 Clearing Software Standby Mode

Software standby mode is cleared by an external interrupt (NMI and  $\overline{\text{IRQ0}}$  to  $\overline{\text{IRQ5}}$  pins), or by means of the  $\overline{\text{RES}}$  pin or  $\overline{\text{STBY}}$  pin.

- Clearing with an interrupt

When an NMI, IRQ0, or IRQ5 interrupt request signal is input, clock oscillation starts, and after the time set in bits STS0 to STS2 in SBYCR has elapsed, stable clocks are supplied to the entire chip, software standby mode is cleared, and interrupt exception handling is started.

When clearing software standby mode with an IRQ0 to IRQ5 interrupt, set the corresponding enable bit to 1 and ensure that no interrupt with a higher priority than interrupts IRQ0 to IRQ5 is generated. Software standby mode cannot be cleared if the interrupt has been masked on the CPU side.

- Clearing with the  $\overline{\text{RES}}$  pin

When the  $\overline{\text{RES}}$  pin is driven low, clock oscillation is started. At the same time as clock oscillation starts, clocks are supplied to the entire chip. Note that the  $\overline{\text{RES}}$  pin must be held low until clock oscillation stabilizes. When the  $\overline{\text{RES}}$  pin goes high, the CPU begins reset exception handling.

- Clearing with the  $\overline{\text{STBY}}$  pin

When the  $\overline{\text{STBY}}$  pin is driven low, a transition is made to hardware standby mode.

### 20.4.3 Setting Oscillation Stabilization Time after Clearing Software Standby Mode

Bits STS2 to STS0 in SBYCR should be set as described below.

- Using a crystal oscillator

Set bits STS0 to STS2 so that the standby time is at least 8 ms (the oscillation stabilization time).


Table 20.3 shows the standby times for different operating frequencies and settings of bits STS0 to STS2.

- Using an external clock

The PLL circuit requires a time for stabilization. Set bits STS0 to STS2 so that the standby time is at least 2 ms (the oscillation stabilization time).

**Table 20.3 Oscillation Stabilization Time Settings**

STS2	STS1	STS0	Standby Time	20 MHz	16 MHz	12 MHz	10 MHz	8 MHz	6 MHz	4 MHz	Unit
0	0	0	8192 states	0.41	0.51	0.68	0.8	1.0	1.3	2.0	ms
		1	16384 states	0.82	1.0	1.3	1.6	2.0	2.7	4.1	
	1	0	32768 states	1.6	2.0	2.7	3.3	4.1	5.5	8.2	
		1	65536 states	3.3	4.1	5.5	6.6	8.2	10.9	16.4	
1	0	0	131072 states	6.6	8.2	10.9	13.1	16.4	21.8	32.8	
		1	262144 states	13.1	16.4	21.8	26.2	32.8	43.6	65.6	
	1	0	Reserved	—	—	—	—	—	—	—	
		1	16 states*	0.8	1.0	1.3	1.6	2.0	1.7	4.0	

: Recommended time setting

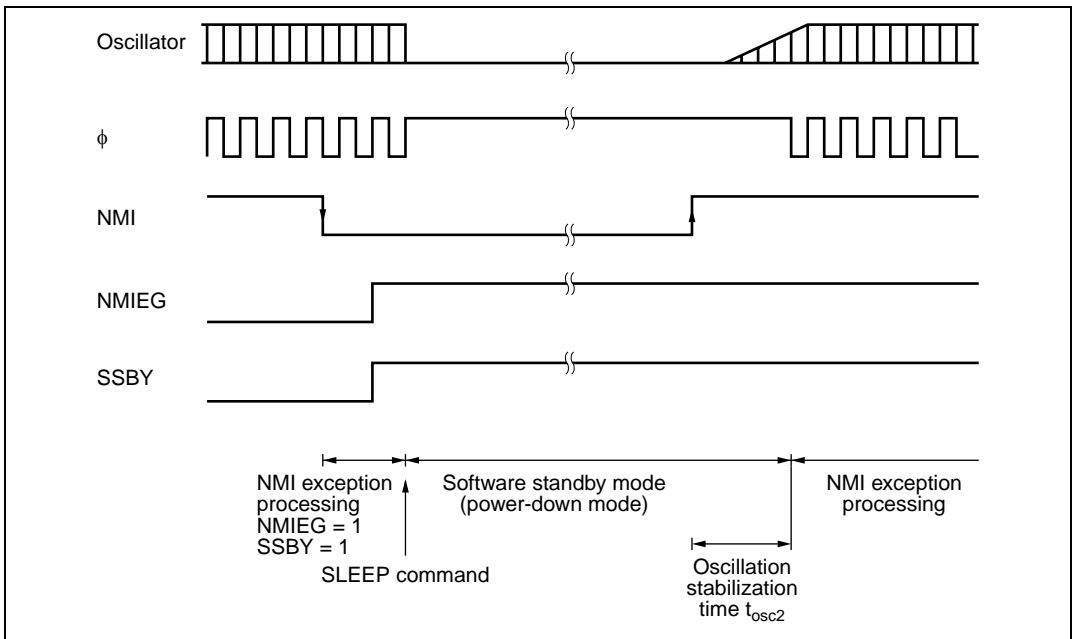
Note: \* Do not use this setting

## 20.4.4 Software Standby Mode Application Example

Figure 20.3 shows an example in which a transition is made to software standby mode at a falling edge on the NMI pin, and software standby mode is cleared at a rising edge on the NMI pin.

In this example, an NMI interrupt is accepted with the NMIEG bit in SYSCR cleared to 0 (falling edge specification), then the NMIEG bit is set to 1 (rising edge specification), the SSBY bit is set to 1, and a SLEEP instruction is executed, causing a transition to software standby mode.

Software standby mode is then cleared at the rising edge on the NMI pin.



**Figure 20.3 Software Standby Mode Application Example**

## 20.5 Hardware Standby Mode

### 20.5.1 Transition to Hardware Standby Mode

When the  $\overline{\text{STBY}}$  pin is driven low, a transition is made to hardware standby mode from any mode.

In hardware standby mode, all functions enter the reset state and stop operation, resulting in a significant reduction in power dissipation. As long as the prescribed voltage is supplied, on-chip RAM data is retained. I/O ports are set to the high-impedance state.

In order to retain on-chip RAM data, the RAME bit in SYSCR should be cleared to 0 before driving the  $\overline{\text{STBY}}$  pin low.

Do not change the state of the mode pins (MD0 and MD2) while this LSI is in hardware standby mode.

### 20.5.2 Clearing Hardware Standby Mode

Hardware standby mode is cleared by means of the  $\overline{\text{STBY}}$  pin and the  $\overline{\text{RES}}$  pin. When the  $\overline{\text{STBY}}$  pin is driven high while the  $\overline{\text{RES}}$  pin is low, the reset state is set and clock oscillation is started. Ensure that the  $\overline{\text{RES}}$  pin is held low until the clock oscillator stabilizes (at least 8 ms—the oscillation stabilization time—when using a crystal oscillator). When the  $\overline{\text{RES}}$  pin is subsequently driven high, a transition is made to the program execution state via the reset exception handling state.

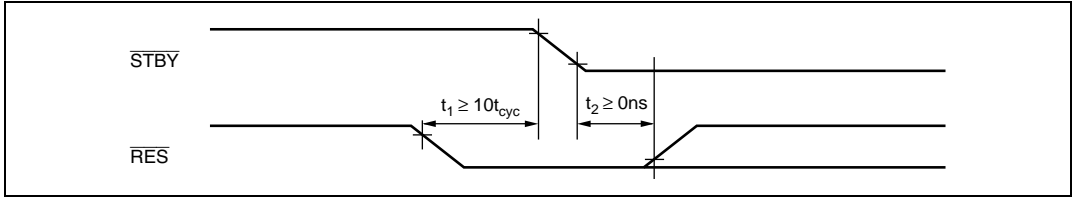


### 20.5.3 Hardware Standby Mode Timings

#### Timing of Transition to Hardware Standby Mode

1. To retain RAM contents with the RAME bit set to 1 in SYSCR

Drive the  $\overline{\text{RES}}$  signal low at least 10 states before the  $\overline{\text{STBY}}$  signal goes low, as shown in figure 20.4. After  $\overline{\text{STBY}}$  has gone low,  $\overline{\text{RES}}$  has to wait for at least 0 ns before becoming high.



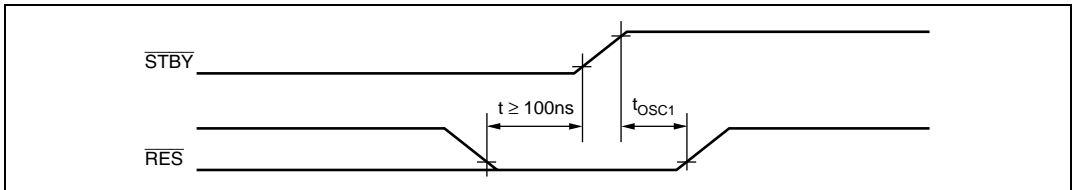
**Figure 20.4** Timing of Transition to Hardware Standby Mode

2. To retain RAM contents with the RAME bit cleared to 0 in SYSCR, or when RAM contents do not need to be retained

$\overline{\text{RES}}$  does not have to be driven low as in the above case.

#### Timing of Recovery from Hardware Standby Mode

Drive the  $\overline{\text{RES}}$  signal low approximately 100 ns or longer before  $\overline{\text{STBY}}$  goes high to execute a power-on reset.



**Figure 20.5** Timing of Recovery from Hardware Standby Mode

## 20.6 Module Stop Mode

Module stop mode can be set for individual on-chip peripheral modules.

When the corresponding MSTP bit in MSTPCR is set to 1, module operation stops at the end of the bus cycle and a transition is made to module stop mode. The CPU continues operating independently.

When the corresponding MSTP bit is cleared to 0, module stop mode is cleared and the module starts operating at the end of the bus cycle. In module stop mode, the internal states of modules other than the SCI (some SCI registers are retained), PWM, HCAN\*, and A/D converter are retained.

After reset clearance, all modules are in module stop mode.

When an on-chip peripheral module is in module stop mode, read/write access to its registers is disabled.

Note: \* This function is not implemented in the H8S/2280 Group.

## 20.7 Watch Mode

### 20.7.1 Transition to Watch Mode

CPU operation makes a transition to watch mode when the SLEEP instruction is executed in high-speed mode or subactive mode with the SSBY bit in SBYCR = 1, the DTON bit in LPWRCR = 0, and the PSS bit in TCSR\_1 (WDT\_1) = 1.

In watch mode, the CPU is stopped and peripheral modules other than WDT\_1 and LCD are also stopped. The contents of the CPU's internal registers, on-chip RAM data, and the states of on-chip peripheral modules other than the SCI, PWM, HCAN\*, and A/D converter, and the states of I/O ports, are retained.

Note: \* This function is not implemented in the H8S/2280 Group.

### 20.7.2 Canceling Watch Mode

Watch mode is canceled by any interrupt (WOV11 interrupt, NMI pin, or  $\overline{\text{IRQ0}}$  to  $\overline{\text{IRQ5}}$  pin), or signals at the  $\overline{\text{RES}}$ , or  $\overline{\text{STBY}}$  pin.

**Canceling Watch Mode by Interrupt:** When an interrupt occurs, watch mode is canceled and a transition is made to high-speed mode or medium-speed mode when the LSON bit in LPWRCR = 0 or to subactive mode when the LSON bit = 1. When a transition is made to high-speed mode, a stable clock is supplied to all LSI circuits and interrupt exception processing starts after the time set in the STS2 to STS0 bits of SBYCR has elapsed. In case of an IRQ0 to IRQ5 interrupt, watch mode is not canceled if the corresponding enable bit has been cleared to 0. In case of the interrupt from the on-chip peripheral modules, if the interrupt enable register has been set to disable the reception of that interrupt, or is masked by the CPU, watch mode is not canceled.

For the setting of the oscillation stabilization time when making a transition from watch mode to high-speed mode, see section 20.4.3, Setting Oscillation Stabilization Time after Clearing Software Standby Mode.

**Canceling Watch Mode by  $\overline{\text{RES}}$  pin:** For canceling watch mode by the  $\overline{\text{RES}}$  pin, see section 20.4.2, Clearing Software Standby Mode.

**Canceling Watch Mode by  $\overline{\text{STBY}}$  pin:** When the  $\overline{\text{STBY}}$  pin is driven low, a transition is made to hardware standby mode.

## 20.8 Subsleep Mode

### 20.8.1 Transition to Subsleep Mode

When the SLEEP instruction is executed in subactive mode with the SSBY bit in SBYCR = 0, the LSON bit in LPWRCR = 1, and the PSS bit in TCSR\_1 (WDT\_1) = 1, CPU operation shifts to subsleep mode.

In subsleep mode, the CPU is stopped and peripheral modules other than WDT\_0, WDT\_1, and LCD are also stopped. The contents of the CPU's internal registers, on-chip RAM data, and the states of on-chip peripheral modules other than the SCI, PWM, HCAN\*, and A/D converter, and the states of I/O ports, are retained.

Note: \* This function is not implemented in the H8S/2280 Group.

### 20.8.2 Canceling Subsleep Mode

Subsleep mode is canceled by any interrupt (WOVI0 or WOVI1 interrupt, NMI pin, or  $\overline{\text{IRQ0}}$  to  $\overline{\text{IRQ5}}$  pin), or signals at the  $\overline{\text{RES}}$  or  $\overline{\text{STBY}}$  pin.

**Canceling Subsleep Mode by Interrupt:** When an interrupt occurs, subsleep mode is canceled and interrupt exception processing starts.

In case of an  $\overline{\text{IRQ0}}$  to  $\overline{\text{IRQ5}}$  interrupt, subsleep mode is not canceled if the corresponding enable bit has been cleared to 0. In case of the interrupt from the on-chip peripheral modules, if the interrupt enable register has been set to disable the reception of that interrupt, or is masked by the CPU, subsleep mode is not canceled.

**Canceling Subsleep Mode by  $\overline{\text{RES}}$  pin:** For canceling subsleep mode by the  $\overline{\text{RES}}$  pin, see section 20.4.2, Clearing Software Standby Mode.

**Canceling Subsleep Mode by  $\overline{\text{STBY}}$  pin:** When the  $\overline{\text{STBY}}$  pin is driven low, a transition is made to hardware standby mode.

## 20.9 Subactive Mode

### 20.9.1 Transition to Subactive Mode

CPU operation makes a transition to subactive mode when the SLEEP instruction is executed in high-speed mode with the SSBY bit in SBYCR = 1, the DTON bit in LPWRCR = 1, the LSON bit = 1, and the PSS bit in TCSR\_1 (WDT\_1) = 1. When an interrupt occurs in watch mode, and if the LSON bit of LPWRCR is 1, a transition is made to subactive mode. And if an interrupt occurs in subsleep mode, a transition is made to subactive mode.

In subactive mode, the CPU operates at low speed on the subclock, and the program is executed one after another. Peripheral modules other than WDT\_0, WDT\_1, and LCD are also stopped.

When operating the CPU in subactive mode, the SCK2 to SCK0 bits in SCKCR must be set to 0.

### 20.9.2 Canceling Subactive Mode

Subactive mode is canceled by the SLEEP instruction or signals at the  $\overline{\text{RES}}$  or  $\overline{\text{STBY}}$  pin.

**Canceling Subactive Mode by SLEEP Instruction:** When the SLEEP instruction is executed with the SSBY bit in SBYCR = 1, the DTON bit in LPWRCR = 0, and the PSS bit in TCSR\_1 (WDT\_1) = 1, subactive mode is canceled and a transition is made to watch mode. When the SLEEP instruction is executed with the SSBY bit in SBYCR = 0, the LSON bit in LPWRCR = 1, and the PSS bit in TCSR\_1 (WDT\_1) = 1, a transition is made to subsleep mode. When the SLEEP instruction is executed with the SSBY bit in SBYCR = 1, the DTON bit in LPWRCR = 1, the LSON bit = 0, and the PSS bit in TCSR\_1 (WDT\_1) = 1, a direct transition is made to high-speed mode (SCK0 to SCK2 are all 0).

**Canceling Subactive Mode by  $\overline{\text{RES}}$  pin:** For canceling subactive mode by the  $\overline{\text{RES}}$  pin, see section 20.4.2, Clearing Software Standby Mode.

**Canceling Subactive Mode by  $\overline{\text{STBY}}$  pin:** When the  $\overline{\text{STBY}}$  pin is driven low, a transition is made to hardware standby mode.

## 20.10 Direct Transitions

There are three modes, high-speed, medium-speed, and subactive, in which the CPU executes programs. When a direct transition is made, there is no interruption of program execution in shifting between high-speed and subactive modes. Direct transitions are enabled by setting the DTON bit in LPWRCR to 1, then executing the SLEEP instruction. After a transition, direct transition interrupt exception processing starts.

### 20.10.1 Direct Transitions from High-Speed Mode to Subactive Mode

Execute the SLEEP instruction in high-speed mode with the SSBY bit in SBYCR = 1, the LSON bit in LPWRCR = 1, the DTON bit = 1, and the PSS bit in TCSR\_1 (WDT\_1) = 1, to make a direct transition to subactive mode.

### 20.10.2 Direct Transitions from Subactive Mode to High-Speed Mode

Execute the SLEEP instruction in subactive mode with the SSBY bit in SBYCR = 1, the LSON bit in LPWRCR = 0, the DTON bit = 1, and the PSS bit in TCSR\_1 (WDT\_1) = 1, to make a direct transition to high-speed mode after the time set in the STS2 to STS0 bits of SBYCR has elapsed.

## 20.11 $\phi$ Clock Output Disabling Function

The output of the  $\phi$  clock can be controlled by means of the PSTOP bit in SCKCR and DDR for the corresponding port. When the PSTOP bit is set to 1, the  $\phi$  clock stops at the end of the bus cycle, and  $\phi$  output goes high.  $\phi$  clock output is enabled when the PSTOP bit is cleared to 0. When DDR for the corresponding port is cleared to 0,  $\phi$  clock output is disabled and input port mode is set. Table 20.4 shows the state of the  $\phi$  pin in each processing state.

**Table 20.4  $\phi$  Pin State in Each Processing State**

Register Settings		High-Speed Mode	Subactive Mode	Sleep Mode Subsleep Mode	Software Standby Mode Watch Mode Direct Transitions	Hardware Standby Mode
DDR	PSTOP	Medium-Speed Mode				
0	X	High impedance	High impedance	High impedance	High impedance	High impedance
1	0	$\phi$ output	$\phi_{\text{SUB}}$ output	$\phi$ output	Fixed high	High impedance
1	1	Fixed high	Fixed high	Fixed high	Fixed high	High impedance

Legend:

X: Don't care

## 20.12 Usage Notes

### 20.12.1 I/O Port Status

The status of the I/O ports is retained in watch mode. Also, when the OPE bit is set to 1, the address bus and bus control signals continue to be output. Therefore, when a high level is output, the current consumption is not diminished by the amount of current to support the high level output.

### 20.12.2 Current Dissipation during Oscillation Stabilization Wait Period

The current consumption increases during the oscillation stabilization wait period.

### 20.12.3 On-Chip Peripheral Module Interrupt

The on-chip peripheral module (TPU), which halts in subactive mode, cannot cancel that interrupt in subactive mode. Thus, if a transition is made to subactive mode when an interrupt has been requested, it will not be possible to clear the CPU interrupt source.

Interrupts should therefore be disabled before executing the SLEEP instruction, then entering subactive mode or watch mode.

### 20.12.4 Writing to MSTPCR

MSTPCR should only be written to by the CPU.



## Section 21 List of Registers

The address list gives information on the on-chip I/O register addresses, how the register bits are configured, and the register states in each operating mode. The information is given as shown below.

1. Register addresses (address order)
  - Registers are listed from the lower allocation addresses.
  - Registers are classified by functional modules.
  - The access size is indicated.
2. Register bits
  - Bit configurations of the registers are described in the same order as the register addresses.
  - Reserved bits are indicated by — in the bit name column.
  - No entry in the bit-name column indicates that the whole register is allocated as a counter or for holding data.
3. Register states in each operating mode
  - Register states are described in the same order as the register addresses.
  - The register states described here are for the basic operating modes. If there is a specific reset for an on-chip peripheral module, refer to the section on that on-chip peripheral module.

## 21.1 Register Addresses (Address Order)

The data bus width indicates the numbers of bits by which the register is accessed.

The number of access states indicates the number of states based on the specified reference clock.

Register Name	Abbreviation	Number of Bits	Address <sup>*1</sup>	Module	Data Bus Width	Number of Access States
Master control register	MCR	8	H'F800	HCAN <sup>*2</sup>	16	4
General status register	GSR	8	H'F801	HCAN <sup>*2</sup>	16	4
Bit configuration register	BCR	16	H'F802	HCAN <sup>*2</sup>	16	4
Mailbox configuration register	MBCR	16	H'F804	HCAN <sup>*2</sup>	16	4
Transmit wait register	TXPR	16	H'F806	HCAN <sup>*2</sup>	16	4
Transmit wait cancel register	TXCR	16	H'F808	HCAN <sup>*2</sup>	16	4
Transmit acknowledge register	TXACK	16	H'F80A	HCAN <sup>*2</sup>	16	4
Abort acknowledge register	ABACK	16	H'F80C	HCAN <sup>*2</sup>	16	4
Receive complete register	RXPR	16	H'F80E	HCAN <sup>*2</sup>	16	4
Remote request register	RFPR	16	H'F810	HCAN <sup>*2</sup>	16	4
Interrupt register	IRR	16	H'F812	HCAN <sup>*2</sup>	16	4
Mailbox interrupt mask register	MBIMR	16	H'F814	HCAN <sup>*2</sup>	16	4
Interrupt mask register	IMR	16	H'F816	HCAN <sup>*2</sup>	16	4
Receive error counter	REC	8	H'F818	HCAN <sup>*2</sup>	16	4
Transmit error counter	TEC	8	H'F819	HCAN <sup>*2</sup>	16	4
Unread message status register	UMSR	16	H'F81A	HCAN <sup>*2</sup>	16	4
Local acceptance filter mask L	LAFML	16	H'F81C	HCAN <sup>*2</sup>	16	4
Local acceptance filter mask H	LAFMH	16	H'F81E	HCAN <sup>*2</sup>	16	4
Message control 0[1]	MC0[1]	8	H'F820	HCAN <sup>*2</sup>	16	4
Message control 0[2]	MC0[2]	8	H'F821	HCAN <sup>*2</sup>	16	4
Message control 0[3]	MC0[3]	8	H'F822	HCAN <sup>*2</sup>	16	4
Message control 0[4]	MC0[4]	8	H'F823	HCAN <sup>*2</sup>	16	4
Message control 0[5]	MC0[5]	8	H'F824	HCAN <sup>*2</sup>	16	4
Message control 0[6]	MC0[6]	8	H'F825	HCAN <sup>*2</sup>	16	4
Message control 0[7]	MC0[7]	8	H'F826	HCAN <sup>*2</sup>	16	4
Message control 0[8]	MC0[8]	8	H'F827	HCAN <sup>*2</sup>	16	4

Register Name	Abbreviation	Number of Bits	Address <sup>*1</sup>	Module	Data Bus Width	Number of Access States
Message control 1[1]	MC1[1]	8	H'F828	HCAN <sup>*2</sup>	16	4
Message control 1[2]	MC1[2]	8	H'F829	HCAN <sup>*2</sup>	16	4
Message control 1[3]	MC1[3]	8	H'F82A	HCAN <sup>*2</sup>	16	4
Message control 1[4]	MC1[4]	8	H'F82B	HCAN <sup>*2</sup>	16	4
Message control 1[5]	MC1[5]	8	H'F82C	HCAN <sup>*2</sup>	16	4
Message control 1[6]	MC1[6]	8	H'F82D	HCAN <sup>*2</sup>	16	4
Message control 1[7]	MC1[7]	8	H'F82E	HCAN <sup>*2</sup>	16	4
Message control 1[8]	MC1[8]	8	H'F82F	HCAN <sup>*2</sup>	16	4
Message control 2[1]	MC2[1]	8	H'F830	HCAN <sup>*2</sup>	16	4
Message control 2[2]	MC2[2]	8	H'F831	HCAN <sup>*2</sup>	16	4
Message control 2[3]	MC2[3]	8	H'F832	HCAN <sup>*2</sup>	16	4
Message control 2[4]	MC2[4]	8	H'F833	HCAN <sup>*2</sup>	16	4
Message control 2[5]	MC2[5]	8	H'F834	HCAN <sup>*2</sup>	16	4
Message control 2[6]	MC2[6]	8	H'F835	HCAN <sup>*2</sup>	16	4
Message control 2[7]	MC2[7]	8	H'F836	HCAN <sup>*2</sup>	16	4
Message control 2[8]	MC2[8]	8	H'F837	HCAN <sup>*2</sup>	16	4
Message control 3[1]	MC3[1]	8	H'F838	HCAN <sup>*2</sup>	16	4
Message control 3[2]	MC3[2]	8	H'F839	HCAN <sup>*2</sup>	16	4
Message control 3[3]	MC3[3]	8	H'F83A	HCAN <sup>*2</sup>	16	4
Message control 3[4]	MC3[4]	8	H'F83B	HCAN <sup>*2</sup>	16	4
Message control 3[5]	MC3[5]	8	H'F83C	HCAN <sup>*2</sup>	16	4
Message control 3[6]	MC3[6]	8	H'F83D	HCAN <sup>*2</sup>	16	4
Message control 3[7]	MC3[7]	8	H'F83E	HCAN <sup>*2</sup>	16	4
Message control 3[8]	MC3[8]	8	H'F83F	HCAN <sup>*2</sup>	16	4
Message control 4[1]	MC4[1]	8	H'F840	HCAN <sup>*2</sup>	16	4
Message control 4[2]	MC4[2]	8	H'F841	HCAN <sup>*2</sup>	16	4
Message control 4[3]	MC4[3]	8	H'F842	HCAN <sup>*2</sup>	16	4
Message control 4[4]	MC4[4]	8	H'F843	HCAN <sup>*2</sup>	16	4
Message control 4[5]	MC4[5]	8	H'F844	HCAN <sup>*2</sup>	16	4
Message control 4[6]	MC4[6]	8	H'F845	HCAN <sup>*2</sup>	16	4
Message control 4[7]	MC4[7]	8	H'F846	HCAN <sup>*2</sup>	16	4
Message control 4[8]	MC4[8]	8	H'F847	HCAN <sup>*2</sup>	16	4

Register Name	Abbreviation	Number of Bits	Address* <sup>1</sup>	Module	Data Bus Width	Number of Access States
Message control 5[1]	MC5[1]	8	H'F848	HCAN* <sup>2</sup>	16	4
Message control 5[2]	MC5[2]	8	H'F849	HCAN* <sup>2</sup>	16	4
Message control 5[3]	MC5[3]	8	H'F84A	HCAN* <sup>2</sup>	16	4
Message control 5[4]	MC5[4]	8	H'F84B	HCAN* <sup>2</sup>	16	4
Message control 5[5]	MC5[5]	8	H'F84C	HCAN* <sup>2</sup>	16	4
Message control 5[6]	MC5[6]	8	H'F84D	HCAN* <sup>2</sup>	16	4
Message control 5[7]	MC5[7]	8	H'F84E	HCAN* <sup>2</sup>	16	4
Message control 5[8]	MC5[8]	8	H'F84F	HCAN* <sup>2</sup>	16	4
Message control 6[1]	MC6[1]	8	H'F850	HCAN* <sup>2</sup>	16	4
Message control 6[2]	MC6[2]	8	H'F851	HCAN* <sup>2</sup>	16	4
Message control 6[3]	MC6[3]	8	H'F852	HCAN* <sup>2</sup>	16	4
Message control 6[4]	MC6[4]	8	H'F853	HCAN* <sup>2</sup>	16	4
Message control 6[5]	MC6[5]	8	H'F854	HCAN* <sup>2</sup>	16	4
Message control 6[6]	MC6[6]	8	H'F855	HCAN* <sup>2</sup>	16	4
Message control 6[7]	MC6[7]	8	H'F856	HCAN* <sup>2</sup>	16	4
Message control 6[8]	MC6[8]	8	H'F857	HCAN* <sup>2</sup>	16	4
Message control 7[1]	MC7[1]	8	H'F858	HCAN* <sup>2</sup>	16	4
Message control 7[2]	MC7[2]	8	H'F859	HCAN* <sup>2</sup>	16	4
Message control 7[3]	MC7[3]	8	H'F85A	HCAN* <sup>2</sup>	16	4
Message control 7[4]	MC7[4]	8	H'F85B	HCAN* <sup>2</sup>	16	4
Message control 7[5]	MC7[5]	8	H'F85C	HCAN* <sup>2</sup>	16	4
Message control 7[6]	MC7[6]	8	H'F85D	HCAN* <sup>2</sup>	16	4
Message control 7[7]	MC7[7]	8	H'F85E	HCAN* <sup>2</sup>	16	4
Message control 7[8]	MC7[8]	8	H'F85F	HCAN* <sup>2</sup>	16	4
Message control 8[1]	MC8[1]	8	H'F860	HCAN* <sup>2</sup>	16	4
Message control 8[2]	MC8[2]	8	H'F861	HCAN* <sup>2</sup>	16	4
Message control 8[3]	MC8[3]	8	H'F862	HCAN* <sup>2</sup>	16	4
Message control 8[4]	MC8[4]	8	H'F863	HCAN* <sup>2</sup>	16	4
Message control 8[5]	MC8[5]	8	H'F864	HCAN* <sup>2</sup>	16	4
Message control 8[6]	MC8[6]	8	H'F865	HCAN* <sup>2</sup>	16	4
Message control 8[7]	MC8[7]	8	H'F866	HCAN* <sup>2</sup>	16	4
Message control 8[8]	MC8[8]	8	H'F867	HCAN* <sup>2</sup>	16	4

Register Name	Abbreviation	Number of Bits	Address <sup>*1</sup>	Module	Data Bus Width	Number of Access States
Message control 9[1]	MC9[1]	8	H'F868	HCAN <sup>3*2</sup>	16	4
Message control 9[2]	MC9[2]	8	H'F869	HCAN <sup>3*2</sup>	16	4
Message control 9[3]	MC9[3]	8	H'F86A	HCAN <sup>3*2</sup>	16	4
Message control 9[4]	MC9[4]	8	H'F86B	HCAN <sup>3*2</sup>	16	4
Message control 9[5]	MC9[5]	8	H'F86C	HCAN <sup>3*2</sup>	16	4
Message control 9[6]	MC9[6]	8	H'F86D	HCAN <sup>3*2</sup>	16	4
Message control 9[7]	MC9[7]	8	H'F86E	HCAN <sup>3*2</sup>	16	4
Message control 9[8]	MC9[8]	8	H'F86F	HCAN <sup>3*2</sup>	16	4
Message control 10[1]	MC10[1]	8	H'F870	HCAN <sup>3*2</sup>	16	4
Message control 10[2]	MC10[2]	8	H'F871	HCAN <sup>3*2</sup>	16	4
Message control 10[3]	MC10[3]	8	H'F872	HCAN <sup>3*2</sup>	16	4
Message control 10[4]	MC10[4]	8	H'F873	HCAN <sup>3*2</sup>	16	4
Message control 10[5]	MC10[5]	8	H'F874	HCAN <sup>3*2</sup>	16	4
Message control 10[6]	MC10[6]	8	H'F875	HCAN <sup>3*2</sup>	16	4
Message control 10[7]	MC10[7]	8	H'F876	HCAN <sup>3*2</sup>	16	4
Message control 10[8]	MC10[8]	8	H'F877	HCAN <sup>3*2</sup>	16	4
Message control 11[1]	MC11[1]	8	H'F878	HCAN <sup>3*2</sup>	16	4
Message control 11[2]	MC11[2]	8	H'F879	HCAN <sup>3*2</sup>	16	4
Message control 11[3]	MC11[3]	8	H'F87A	HCAN <sup>3*2</sup>	16	4
Message control 11[4]	MC11[4]	8	H'F87B	HCAN <sup>3*2</sup>	16	4
Message control 11[5]	MC11[5]	8	H'F87C	HCAN <sup>3*2</sup>	16	4
Message control 11[6]	MC11[6]	8	H'F87D	HCAN <sup>3*2</sup>	16	4
Message control 11[7]	MC11[7]	8	H'F87E	HCAN <sup>3*2</sup>	16	4
Message control 11[8]	MC11[8]	8	H'F87F	HCAN <sup>3*2</sup>	16	4
Message control 12[1]	MC12[1]	8	H'F880	HCAN <sup>3*2</sup>	16	4
Message control 12[2]	MC12[2]	8	H'F881	HCAN <sup>3*2</sup>	16	4
Message control 12[3]	MC12[3]	8	H'F882	HCAN <sup>3*2</sup>	16	4
Message control 12[4]	MC12[4]	8	H'F883	HCAN <sup>3*2</sup>	16	4
Message control 12[5]	MC12[5]	8	H'F884	HCAN <sup>3*2</sup>	16	4
Message control 12[6]	MC12[6]	8	H'F885	HCAN <sup>3*2</sup>	16	4
Message control 12[7]	MC12[7]	8	H'F886	HCAN <sup>3*2</sup>	16	4
Message control 12[8]	MC12[8]	8	H'F887	HCAN <sup>3*2</sup>	16	4

Register Name	Abbreviation	Number of Bits	Address* <sup>1</sup>	Module	Data Bus Width	Number of Access States
Message control 13[1]	MC13[1]	8	H'F888	HCAN* <sup>2</sup>	16	4
Message control 13[2]	MC13[2]	8	H'F889	HCAN* <sup>2</sup>	16	4
Message control 13[3]	MC13[3]	8	H'F88A	HCAN* <sup>2</sup>	16	4
Message control 13[4]	MC13[4]	8	H'F88B	HCAN* <sup>2</sup>	16	4
Message control 13[5]	MC13[5]	8	H'F88C	HCAN* <sup>2</sup>	16	4
Message control 13[6]	MC13[6]	8	H'F88D	HCAN* <sup>2</sup>	16	4
Message control 13[7]	MC13[7]	8	H'F88E	HCAN* <sup>2</sup>	16	4
Message control 13[8]	MC13[8]	8	H'F88F	HCAN* <sup>2</sup>	16	4
Message control 14[1]	MC14[1]	8	H'F890	HCAN* <sup>2</sup>	16	4
Message control 14[2]	MC14[2]	8	H'F891	HCAN* <sup>2</sup>	16	4
Message control 14[3]	MC14[3]	8	H'F892	HCAN* <sup>2</sup>	16	4
Message control 14[4]	MC14[4]	8	H'F893	HCAN* <sup>2</sup>	16	4
Message control 14[5]	MC14[5]	8	H'F894	HCAN* <sup>2</sup>	16	4
Message control 14[6]	MC14[6]	8	H'F895	HCAN* <sup>2</sup>	16	4
Message control 14[7]	MC14[7]	8	H'F896	HCAN* <sup>2</sup>	16	4
Message control 14[8]	MC14[8]	8	H'F897	HCAN* <sup>2</sup>	16	4
Message control 15[1]	MC15[1]	8	H'F898	HCAN* <sup>2</sup>	16	4
Message control 15[2]	MC15[2]	8	H'F899	HCAN* <sup>2</sup>	16	4
Message control 15[3]	MC15[3]	8	H'F89A	HCAN* <sup>2</sup>	16	4
Message control 15[4]	MC15[4]	8	H'F89B	HCAN* <sup>2</sup>	16	4
Message control 15[5]	MC15[5]	8	H'F89C	HCAN* <sup>2</sup>	16	4
Message control 15[6]	MC15[6]	8	H'F89D	HCAN* <sup>2</sup>	16	4
Message control 15[7]	MC15[7]	8	H'F89E	HCAN* <sup>2</sup>	16	4
Message control 15[8]	MC15[8]	8	H'F89F	HCAN* <sup>2</sup>	16	4
Message data 0[1]	MD0[1]	8	H'F8B0	HCAN* <sup>2</sup>	16	4
Message data 0[2]	MD0[2]	8	H'F8B1	HCAN* <sup>2</sup>	16	4
Message data 0[3]	MD0[3]	8	H'F8B2	HCAN* <sup>2</sup>	16	4
Message data 0[4]	MD0[4]	8	H'F8B3	HCAN* <sup>2</sup>	16	4
Message data 0[5]	MD0[5]	8	H'F8B4	HCAN* <sup>2</sup>	16	4
Message data 0[6]	MD0[6]	8	H'F8B5	HCAN* <sup>2</sup>	16	4
Message data 0[7]	MD0[7]	8	H'F8B6	HCAN* <sup>2</sup>	16	4
Message data 0[8]	MD0[8]	8	H'F8B7	HCAN* <sup>2</sup>	16	4

Register Name	Abbreviation	Number of Bits	Address <sup>*1</sup>	Module	Data Bus Width	Number of Access States
Message data 1[1]	MD1[1]	8	H'F8B8	HCAN <sup>3*2</sup>	16	4
Message data 1[2]	MD1[2]	8	H'F8B9	HCAN <sup>3*2</sup>	16	4
Message data 1[3]	MD1[3]	8	H'F8BA	HCAN <sup>3*2</sup>	16	4
Message data 1[4]	MD1[4]	8	H'F8BB	HCAN <sup>3*2</sup>	16	4
Message data 1[5]	MD1[5]	8	H'F8BC	HCAN <sup>3*2</sup>	16	4
Message data 1[6]	MD1[6]	8	H'F8BD	HCAN <sup>3*2</sup>	16	4
Message data 1[7]	MD1[7]	8	H'F8BE	HCAN <sup>3*2</sup>	16	4
Message data 1[8]	MD1[8]	8	H'F8BF	HCAN <sup>3*2</sup>	16	4
Message data 2[1]	MD2[1]	8	H'F8C0	HCAN <sup>3*2</sup>	16	4
Message data 2[2]	MD2[2]	8	H'F8C1	HCAN <sup>3*2</sup>	16	4
Message data 2[3]	MD2[3]	8	H'F8C2	HCAN <sup>3*2</sup>	16	4
Message data 2[4]	MD2[4]	8	H'F8C3	HCAN <sup>3*2</sup>	16	4
Message data 2[5]	MD2[5]	8	H'F8C4	HCAN <sup>3*2</sup>	16	4
Message data 2[6]	MD2[6]	8	H'F8C5	HCAN <sup>3*2</sup>	16	4
Message data 2[7]	MD2[7]	8	H'F8C6	HCAN <sup>3*2</sup>	16	4
Message data 2[8]	MD2[8]	8	H'F8C7	HCAN <sup>3*2</sup>	16	4
Message data 3[1]	MD3[1]	8	H'F8C8	HCAN <sup>3*2</sup>	16	4
Message data 3[2]	MD3[2]	8	H'F8C9	HCAN <sup>3*2</sup>	16	4
Message data 3[3]	MD3[3]	8	H'F8CA	HCAN <sup>3*2</sup>	16	4
Message data 3[4]	MD3[4]	8	H'F8CB	HCAN <sup>3*2</sup>	16	4
Message data 3[5]	MD3[5]	8	H'F8CC	HCAN <sup>3*2</sup>	16	4
Message data 3[6]	MD3[6]	8	H'F8CD	HCAN <sup>3*2</sup>	16	4
Message data 3[7]	MD3[7]	8	H'F8CE	HCAN <sup>3*2</sup>	16	4
Message data 3[8]	MD3[8]	8	H'F8CF	HCAN <sup>3*2</sup>	16	4
Message data 4[1]	MD4[1]	8	H'F8D0	HCAN <sup>3*2</sup>	16	4
Message data 4[2]	MD4[2]	8	H'F8D1	HCAN <sup>3*2</sup>	16	4
Message data 4[3]	MD4[3]	8	H'F8D2	HCAN <sup>3*2</sup>	16	4
Message data 4[4]	MD4[4]	8	H'F8D3	HCAN <sup>3*2</sup>	16	4
Message data 4[5]	MD4[5]	8	H'F8D4	HCAN <sup>3*2</sup>	16	4
Message data 4[6]	MD4[6]	8	H'F8D5	HCAN <sup>3*2</sup>	16	4
Message data 4[7]	MD4[7]	8	H'F8D6	HCAN <sup>3*2</sup>	16	4
Message data 4[8]	MD4[8]	8	H'F8D7	HCAN <sup>3*2</sup>	16	4

Register Name	Abbreviation	Number of Bits	Address <sup>*1</sup>	Module	Data Bus Width	Number of Access States
Message data 5[1]	MD5[1]	8	H'F8D8	HCAN <sup>*2</sup>	16	4
Message data 5[2]	MD5[2]	8	H'F8D9	HCAN <sup>*2</sup>	16	4
Message data 5[3]	MD5[3]	8	H'F8DA	HCAN <sup>*2</sup>	16	4
Message data 5[4]	MD5[4]	8	H'F8DB	HCAN <sup>*2</sup>	16	4
Message data 5[5]	MD5[5]	8	H'F8DC	HCAN <sup>*2</sup>	16	4
Message data 5[6]	MD5[6]	8	H'F8DD	HCAN <sup>*2</sup>	16	4
Message data 5[7]	MD5[7]	8	H'F8DE	HCAN <sup>*2</sup>	16	4
Message data 5[8]	MD5[8]	8	H'F8DF	HCAN <sup>*2</sup>	16	4
Message data 6[1]	MD6[1]	8	H'F8E0	HCAN <sup>*2</sup>	16	4
Message data 6[2]	MD6[2]	8	H'F8E1	HCAN <sup>*2</sup>	16	4
Message data 6[3]	MD6[3]	8	H'F8E2	HCAN <sup>*2</sup>	16	4
Message data 6[4]	MD6[4]	8	H'F8E3	HCAN <sup>*2</sup>	16	4
Message data 6[5]	MD6[5]	8	H'F8E4	HCAN <sup>*2</sup>	16	4
Message data 6[6]	MD6[6]	8	H'F8E5	HCAN <sup>*2</sup>	16	4
Message data 6[7]	MD6[7]	8	H'F8E6	HCAN <sup>*2</sup>	16	4
Message data 6[8]	MD6[8]	8	H'F8E7	HCAN <sup>*2</sup>	16	4
Message data 7[1]	MD7[1]	8	H'F8E8	HCAN <sup>*2</sup>	16	4
Message data 7[2]	MD7[2]	8	H'F8E9	HCAN <sup>*2</sup>	16	4
Message data 7[3]	MD7[3]	8	H'F8EA	HCAN <sup>*2</sup>	16	4
Message data 7[4]	MD7[4]	8	H'F8EB	HCAN <sup>*2</sup>	16	4
Message data 7[5]	MD7[5]	8	H'F8EC	HCAN <sup>*2</sup>	16	4
Message data 7[6]	MD7[6]	8	H'F8ED	HCAN <sup>*2</sup>	16	4
Message data 7[7]	MD7[7]	8	H'F8EE	HCAN <sup>*2</sup>	16	4
Message data 7[8]	MD7[8]	8	H'F8EF	HCAN <sup>*2</sup>	16	4
Message data 8[1]	MD8[1]	8	H'F8F0	HCAN <sup>*2</sup>	16	4
Message data 8[2]	MD8[2]	8	H'F8F1	HCAN <sup>*2</sup>	16	4
Message data 8[3]	MD8[3]	8	H'F8F2	HCAN <sup>*2</sup>	16	4
Message data 8[4]	MD8[4]	8	H'F8F3	HCAN <sup>*2</sup>	16	4
Message data 8[5]	MD8[5]	8	H'F8F4	HCAN <sup>*2</sup>	16	4
Message data 8[6]	MD8[6]	8	H'F8F5	HCAN <sup>*2</sup>	16	4
Message data 8[7]	MD8[7]	8	H'F8F6	HCAN <sup>*2</sup>	16	4
Message data 8[8]	MD8[8]	8	H'F8F7	HCAN <sup>*2</sup>	16	4



Register Name	Abbreviation	Number of Bits	Address <sup>*1</sup>	Module	Data Bus Width	Number of Access States
Message data 9[1]	MD9[1]	8	H'F8F8	HCAN <sup>3*2</sup>	16	4
Message data 9[2]	MD9[2]	8	H'F8F9	HCAN <sup>3*2</sup>	16	4
Message data 9[3]	MD9[3]	8	H'F8FA	HCAN <sup>3*2</sup>	16	4
Message data 9[4]	MD9[4]	8	H'F8FB	HCAN <sup>3*2</sup>	16	4
Message data 9[5]	MD9[5]	8	H'F8FC	HCAN <sup>3*2</sup>	16	4
Message data 9[6]	MD9[6]	8	H'F8FD	HCAN <sup>3*2</sup>	16	4
Message data 9[7]	MD9[7]	8	H'F8FE	HCAN <sup>3*2</sup>	16	4
Message data 9[8]	MD9[8]	8	H'F8FF	HCAN <sup>3*2</sup>	16	4
Message data 10[1]	MD10[1]	8	H'F900	HCAN <sup>3*2</sup>	16	4
Message data 10[2]	MD10[2]	8	H'F901	HCAN <sup>3*2</sup>	16	4
Message data 10[3]	MD10[3]	8	H'F902	HCAN <sup>3*2</sup>	16	4
Message data 10[4]	MD10[4]	8	H'F903	HCAN <sup>3*2</sup>	16	4
Message data 10[5]	MD10[5]	8	H'F904	HCAN <sup>3*2</sup>	16	4
Message data 10[6]	MD10[6]	8	H'F905	HCAN <sup>3*2</sup>	16	4
Message data 10[7]	MD10[7]	8	H'F906	HCAN <sup>3*2</sup>	16	4
Message data 10[8]	MD10[8]	8	H'F907	HCAN <sup>3*2</sup>	16	4
Message data 11[1]	MD11[1]	8	H'F908	HCAN <sup>3*2</sup>	16	4
Message data 11[2]	MD11[2]	8	H'F909	HCAN <sup>3*2</sup>	16	4
Message data 11[3]	MD11[3]	8	H'F90A	HCAN <sup>3*2</sup>	16	4
Message data 11[4]	MD11[4]	8	H'F90B	HCAN <sup>3*2</sup>	16	4
Message data 11[5]	MD11[5]	8	H'F90C	HCAN <sup>3*2</sup>	16	4
Message data 11[6]	MD11[6]	8	H'F90D	HCAN <sup>3*2</sup>	16	4
Message data 11[7]	MD11[7]	8	H'F90E	HCAN <sup>3*2</sup>	16	4
Message data 11[8]	MD11[8]	8	H'F90F	HCAN <sup>3*2</sup>	16	4
Message data 12[1]	MD12[1]	8	H'F910	HCAN <sup>3*2</sup>	16	4
Message data 12[2]	MD12[2]	8	H'F911	HCAN <sup>3*2</sup>	16	4
Message data 12[3]	MD12[3]	8	H'F912	HCAN <sup>3*2</sup>	16	4
Message data 12[4]	MD12[4]	8	H'F913	HCAN <sup>3*2</sup>	16	4
Message data 12[5]	MD12[5]	8	H'F914	HCAN <sup>3*2</sup>	16	4
Message data 12[6]	MD12[6]	8	H'F915	HCAN <sup>3*2</sup>	16	4
Message data 12[7]	MD12[7]	8	H'F916	HCAN <sup>3*2</sup>	16	4
Message data 12[8]	MD12[8]	8	H'F917	HCAN <sup>3*2</sup>	16	4

Register Name	Abbreviation	Number of Bits	Address*1	Module	Data Bus Width	Number of Access States
Message data 13[1]	MD13[1]	8	H'F918	HCAN*2	16	4
Message data 13[2]	MD13[2]	8	H'F919	HCAN*2	16	4
Message data 13[3]	MD13[3]	8	H'F91A	HCAN*2	16	4
Message data 13[4]	MD13[4]	8	H'F91B	HCAN*2	16	4
Message data 13[5]	MD13[5]	8	H'F91C	HCAN*2	16	4
Message data 13[6]	MD13[6]	8	H'F91D	HCAN*2	16	4
Message data 13[7]	MD13[7]	8	H'F91E	HCAN*2	16	4
Message data 13[8]	MD13[8]	8	H'F91F	HCAN*2	16	4
Message data 14[1]	MD14[1]	8	H'F920	HCAN*2	16	4
Message data 14[2]	MD14[2]	8	H'F921	HCAN*2	16	4
Message data 14[3]	MD14[3]	8	H'F922	HCAN*2	16	4
Message data 14[4]	MD14[4]	8	H'F923	HCAN*2	16	4
Message data 14[5]	MD14[5]	8	H'F924	HCAN*2	16	4
Message data 14[6]	MD14[6]	8	H'F925	HCAN*2	16	4
Message data 14[7]	MD14[7]	8	H'F926	HCAN*2	16	4
Message data 14[8]	MD14[8]	8	H'F927	HCAN*2	16	4
Message data 15[1]	MD15[1]	8	H'F928	HCAN*2	16	4
Message data 15[2]	MD15[2]	8	H'F929	HCAN*2	16	4
Message data 15[3]	MD15[3]	8	H'F92A	HCAN*2	16	4
Message data 15[4]	MD15[4]	8	H'F92B	HCAN*2	16	4
Message data 15[5]	MD15[5]	8	H'F92C	HCAN*2	16	4
Message data 15[6]	MD15[6]	8	H'F92D	HCAN*2	16	4
Message data 15[7]	MD15[7]	8	H'F92E	HCAN*2	16	4
Message data 15[8]	MD15[8]	8	H'F92F	HCAN*2	16	4
PWM control register_1	PWCR_1	8	H'FC00	PWM_1	16	4
PWM output control register_1	PWOOCR_1	8	H'FC02	PWM_1	16	4
PWM polarity register_1	PWPR_1	8	H'FC04	PWM_1	16	4
PWM cycle register_1	PWCYR_1	16	H'FC06	PWM_1	16	4
PWM buffer register_1A	PWBFR_1A	16	H'FC08	PWM_1	16	4
PWM buffer register_1C	PWBFR_1C	16	H'FC0A	PWM_1	16	4
PWM buffer register_1E	PWBFR_1E	16	H'FC0C	PWM_1	16	4
PWM buffer register_1G	PWBFR_1G	16	H'FC0E	PWM_1	16	4

Register Name	Abbreviation	Number of Bits	Address*1	Module	Data Bus Width	Number of Access States
PWM control register_2	PWCR_2	8	H'FC10	PWM_2	16	4
PWM output control register_2	PWOOCR_2	8	H'FC12	PWM_2	16	4
PWM polarity register_2	PWPR_2	8	H'FC14	PWM_2	16	4
PWM cycle register_2	PWCYR_2	16	H'FC16	PWM_2	16	4
PWM buffer register_2A	PWBFR_2A	16	H'FC18	PWM_2	16	4
PWM buffer register_2B	PWBFR_2B	16	H'FC1A	PWM_2	16	4
PWM buffer register_2C	PWBFR_2C	16	H'FC1C	PWM_2	16	4
PWM buffer register_2D	PWBFR_2D	16	H'FC1E	PWM_2	16	4
Port H data direction register	PHDDR	8	H'FC20	PORT	16	4
Port J data direction register	PJDDR	8	H'FC21	PORT	16	4
Port H data register	PHDR	8	H'FC24	PORT	16	4
Port J data register	PJDR	8	H'FC25	PORT	16	4
Port H register	PORTH	8	H'FC28	PORT	16	4
Port J register	PORTJ	8	H'FC29	PORT	16	4
Transport register	TRPRT	8	H'FC2E	PORT	8	4
LCD port control register	LPCR	8	H'FC30	LCD	16	4
LCD control register	LCR	8	H'FC31	LCD	16	4
LCD control register 2	LCR2	8	H'FC32	LCD	16	4
Module stop control register D	MSTPCRD	8	H'FC60	SYSTEM	8	4
Standby control register	SBYCR	8	H'FDE4	SYSTEM	8	2
System control register	SYSCR	8	H'FDE5	SYSTEM	8	2
System clock control register	SCKCR	8	H'FDE6	SYSTEM	8	2
Mode control register	MDCR	8	H'FDE7	SYSTEM	8	2
Module stop control register A	MSTPCRA	8	H'FDE8	SYSTEM	8	2
Module stop control register B	MSTPCRB	8	H'FDE9	SYSTEM	8	2
Module stop control register C	MSTPCRC	8	H'FDEA	SYSTEM	8	2
Low-power control register	LPWRCR	8	H'FDEC	SYSTEM	8	2
IRQ sense control register H	ISCRH	8	H'FE12	INT	8	2
IRQ sense control register L	ISURL	8	H'FE13	INT	8	2
IRQ enable register	IER	8	H'FE14	INT	8	2
IRQ status register	ISR	8	H'FE15	INT	8	2

Register Name	Abbreviation	Number of Bits	Address*1	Module	Data Bus Width	Number of Access States
Port 1 data direction register	P1DDR	8	H'FE30	PORT	8	2
Port 3 data direction register	P3DDR	8	H'FE32	PORT	8	2
Port A data direction register	PADDR	8	H'FE39	PORT	8	2
Port B data direction register	PBDDR	8	H'FE3A	PORT	8	2
Port C data direction register	PCDDR	8	H'FE3B	PORT	8	2
Port D data direction register	PDDDR	8	H'FE3C	PORT	8	2
Port F data direction register	PFDDR	8	H'FE3E	PORT	8	2
Port 3 open drain control register	P3ODR	8	H'FE46	PORT	8	2
Port A open drain control register	PAODR	8	H'FE47	PORT	8	2
Port B open drain control register	PBODR	8	H'FE48	PORT	8	2
Port C open drain control register	PCODR	8	H'FE49	PORT	8	2
Timer start register	TSTR	8	H'FEB0	TPU	16	2
Timer synchro register	TSYR	8	H'FEB1	TPU	16	2
Interrupt priority register A	IPRA	8	H'FEC0	INT	8	2
Interrupt priority register B	IPRB	8	H'FEC1	INT	8	2
Interrupt priority register C	IPRC	8	H'FEC2	INT	8	2
Interrupt priority register D	IPRD	8	H'FEC3	INT	8	2
Interrupt priority register E	IPRE	8	H'FEC4	INT	8	2
Interrupt priority register F	IPRF	8	H'FEC5	INT	8	2
Interrupt priority register G	IPRG	8	H'FEC6	INT	8	2
Interrupt priority register J	IPRJ	8	H'FEC9	INT	8	2
Interrupt priority register K	IPRK	8	H'FECA	INT	8	2
Interrupt priority register M	IPRM	8	H'FECC	INT	8	2
RAM emulation register	RAMER*2	8	H'FEDB	FLASH (F-ZTAT version)	8	2
Port 1 data register	P1DR	8	H'FF00	PORT	8	2
Port 3 data register	P3DR	8	H'FF02	PORT	8	2
Port A data register	PADR	8	H'FF09	PORT	8	2

Register Name	Abbreviation	Number of Bits	Address* <sup>1</sup>	Module	Data Bus Width	Number of Access States
Port B data register	PBDR	8	H'FF0A	PORT	8	2
Port C data register	PCDR	8	H'FF0B	PORT	8	2
Port D data register	PDDR	8	H'FF0C	PORT	8	2
Port F data register	PFDR	8	H'FF0E	PORT	8	2
Timer control register_0	TCR_0	8	H'FF10	TPU_0	16	2
Timer mode register_0	TMDR_0	8	H'FF11	TPU_0	16	2
Timer I/O control register H_0	TIORH_0	8	H'FF12	TPU_0	16	2
Timer I/O control register L_0	TIORL_0	8	H'FF13	TPU_0	16	2
Timer interrupt enable register_0	TIER_0	8	H'FF14	TPU_0	16	2
Timer status register_0	TSR_0	8	H'FF15	TPU_0	16	2
Timer counter H_0	TCNTH_0	8	H'FF16	TPU_0	16	2
Timer counter L_0	TCNTL_0	8	H'FF17	TPU_0	16	2
Timer general register AH_0	TGRAH_0	8	H'FF18	TPU_0	16	2
Timer general register AL_0	TGRAL_0	8	H'FF19	TPU_0	16	2
Timer general register BH_0	TGRBH_0	8	H'FF1A	TPU_0	16	2
Timer general register BL_0	TGRBL_0	8	H'FF1B	TPU_0	16	2
Timer general register CH_0	TGRCH_0	8	H'FF1C	TPU_0	16	2
Timer general register CL_0	TGRCL_0	8	H'FF1D	TPU_0	16	2
Timer general register DH_0	TGRDH_0	8	H'FF1E	TPU_0	16	2
Timer general register DL_0	TGRDL_0	8	H'FF1F	TPU_0	16	2
Timer control register_1	TCR_1	8	H'FF20	TPU_1	16	2
Timer mode register_1	TMDR_1	8	H'FF21	TPU_1	16	2
Timer I/O control register_1	TIOR_1	8	H'FF22	TPU_1	16	2
Timer interrupt enable register_1	TIER_1	8	H'FF24	TPU_1	16	2
Timer status register_1	TSR_1	8	H'FF25	TPU_1	16	2
Timer counter H_1	TCNTH_1	8	H'FF26	TPU_1	16	2
Timer counter L_1	TCNTL_1	8	H'FF27	TPU_1	16	2
Timer general register AH_1	TGRAH_1	8	H'FF28	TPU_1	16	2
Timer general register AL_1	TGRAL_1	8	H'FF29	TPU_1	16	2
Timer general register BH_1	TGRBH_1	8	H'FF2A	TPU_1	16	2
Timer general register BL_1	TGRBL_1	8	H'FF2B	TPU_1	16	2
Timer control register_2	TCR_2	8	H'FF30	TPU_2	16	2
Timer mode register_2	TMDR_2	8	H'FF31	TPU_2	16	2

Register Name	Abbreviation	Number of Bits	Address*1	Module	Data Bus Width	Number of Access States
Timer I/O control register_2	TIOR_2	8	H'FF32	TPU_2	16	2
Timer interrupt enable register_2	TIER_2	8	H'FF34	TPU_2	16	2
Timer status register_2	TSR_2	8	H'FF35	TPU_2	16	2
Timer counterH_2	TCNTH_2	8	H'FF36	TPU_2	16	2
Timer counter L_2	TCNTL_2	8	H'FF37	TPU_2	16	2
Timer general register AH_2	TGRAH_2	8	H'FF38	TPU_2	16	2
Timer general register AL_2	TGRAL_2	8	H'FF39	TPU_2	16	2
Timer general register BH_2	TGRBH_2	8	H'FF3A	TPU_2	16	2
Timer general register BL_2	TGRBL_2	8	H'FF3B	TPU_2	16	2
Timer control/status register_0	TCSR_0	8	H'FF74	WDT_0	16	2
Timer counter_0	TCNT_0	8	H'FF75	WDT_0	16	2
Reset control/status register	RSTCSR	8	H'FF77	WDT_0	16	2
Serial mode register_0	SMR_0	8	H'FF78	SCI_0	8	2
Bit rate register_0	BRR_0	8	H'FF79	SCI_0	8	2
Serial control register_0	SCR_0	8	H'FF7A	SCI_0	8	2
Transmit data register_0	TDR_0	8	H'FF7B	SCI_0	8	2
Serial status register_0	SSR_0	8	H'FF7C	SCI_0	8	2
Receive data register_0	RDR_0	8	H'FF7D	SCI_0	8	2
Smart card mode register_0	SCMR_0	8	H'FF7E	SCI_0	8	2
Serial mode register_1	SMR_1	8	H'FF80	SCI_1	8	2
Bit rate register_1	BRR_1	8	H'FF81	SCI_1	8	2
Serial control register_1	SCR_1	8	H'FF82	SCI_1	8	2
Transmit data register_1	TDR_1	8	H'FF83	SCI_1	8	2
Serial status register_1	SSR_1	8	H'FF84	SCI_1	8	2
Receive data register_1	RDR_1	8	H'FF85	SCI_1	8	2
Smart card mode register_1	SCMR_1	8	H'FF86	SCI_1	8	2
A/D data register AH	ADDRAH	8	H'FF90	A/D	8	2
A/D data register AL	ADDRAL	8	H'FF91	A/D	8	2
A/D data register BH	ADDRBH	8	H'FF92	A/D	8	2
A/D data register BL	ADDRBL	8	H'FF93	A/D	8	2
A/D data register CH	ADDRCH	8	H'FF94	A/D	8	2
A/D data register CL	ADDRCL	8	H'FF95	A/D	8	2

Register Name	Abbreviation	Number of Bits	Address <sup>*1</sup>	Module	Data Bus Width	Number of Access States
A/D data register DH	ADDRDH	8	H'FF96	A/D	8	2
A/D data register DL	ADDRDL	8	H'FF97	A/D	8	2
A/D control/status register	ADCSR	8	H'FF98	A/D	8	2
A/D control register	ADCR	8	H'FF99	A/D	8	2
Timer control/status register_1	TCSR_1	8	H'FFA2	WDT_1	16	2
Timer counter_1	TCNT_1	8	H'FFA3	WDT_1	16	2
Flash memory control register 1	FLMCR1	8	H'FFA8	FLASH (F-ZTAT version)	8	2
Flash memory control register 2	FLMCR2	8	H'FFA9	FLASH (F-ZTAT version)	8	2
Erase block register 1	EBR1	8	H'FFAA	FLASH (F-ZTAT version)	8	2
Erase block register 2	EBR2 <sup>*2</sup>	8	H'FFAB	FLASH (F-ZTAT version)	8	2
Flash memory power control register	FLPWCR	8	H'FFAC	FLASH (F-ZTAT version)	8	2
Port 1 register	PORT1	8	H'FFB0	PORT	8	2
Port 3 register	PORT3	8	H'FFB2	PORT	8	2
Port 4 register	PORT4	8	H'FFB3	PORT	8	2
Port A register	PORTA	8	H'FFB9	PORT	8	2
Port B register	PORTB	8	H'FFBA	PORT	8	2
Port C register	PORTC	8	H'FFBB	PORT	8	2
Port D register	PORTD	8	H'FFBC	PORT	8	2
Port F register	PORTF	8	H'FFBE	PORT	8	2

Notes: 1. Lower 16 bits of the address.

2. In the H8S/2280 Group this register is reserved.

## 21.2 Register Bits

Register bit names of the on-chip peripheral modules are described below.

Each line covers eight bits, and 16-bit registers are shown as 2 lines.

Register Abbrev.	Bit 7	Bit 6	Bit 5	Bit 4	Bit 3	Bit 2	Bit 1	Bit 0	Module
MCR	MCR7	—	MCR5	—	—	MCR2	MCR1	MCR0	HCAN <sup>*2</sup>
GSR	—	—	—	—	GSR3	GSR2	GSR1	GSR0	
BCR	BCR7	BCR6	BCR5	BCR4	BCR3	BCR2	BCR1	BCR0	
	BCR15	BCR14	BCR13	BCR12	BCR11	BCR10	BCR9	BCR8	
MBCR	MBCR7	MBCR6	MBCR5	MBCR4	MBCR3	MBCR2	MBCR1	—	
	MBCR15	MBCR14	MBCR13	MBCR12	MBCR11	MBCR10	MBCR9	MBCR8	
TXPR	TXPR7	TXPR6	TXPR5	TXPR4	TXPR3	TXPR2	TXPR1	—	
	TXPR15	TXPR14	TXPR13	TXPR12	TXPR11	TXPR10	TXPR9	TXPR8	
TXCR	TXCR7	TXCR6	TXCR5	TXCR4	TXCR3	TXCR2	TXCR1	—	
	TXCR15	TXCR14	TXCR13	TXCR12	TXCR11	TXCR10	TXCR9	TXCR8	
TXACK	TXACK7	TXACK6	TXACK5	TXACK4	TXACK3	TXACK2	TXACK1	—	
	TXACK15	TXACK14	TXACK13	TXACK12	TXACK11	TXACK10	TXACK9	TXACK8	
ABACK	ABACK7	ABACK6	ABACK5	ABACK4	ABACK3	ABACK2	ABACK1	—	
	ABACK15	ABACK14	ABACK13	ABACK12	ABACK11	ABACK10	ABACK9	ABACK8	
RXPR	RXPR7	RXPR6	RXPR5	RXPR4	RXPR3	RXPR2	RXPR1	RXPR0	
	RXPR15	RXPR14	RXPR13	RXPR12	RXPR11	RXPR10	RXPR9	RXPR8	
RFPR	RFPR7	RFPR6	RFPR5	RFPR4	RFPR3	RFPR2	RFPR1	RFPR0	
	RFPR15	RFPR14	RFPR13	RFPR12	RFPR11	RFPR10	RFPR9	RFPR8	
IRR	IRR7	IRR6	IRR5	IRR4	IRR3	IRR2	IRR1	IRR0	
	—	—	—	IRR12	—	—	IRR9	IRR8	
MBIMR	MBIMR7	MBIMR6	MBIMR5	MBIMR4	MBIMR3	MBIMR2	MBIMR1	MBIMR0	
	MBIMR15	MBIMR14	MBIMR13	MBIMR12	MBIMR11	MBIMR10	MBIMR9	MBIMR8	
IMR	IMR7	IMR6	IMR5	IMR4	IMR3	IMR2	IMR1	—	
	—	—	—	IMR12	—	—	IMR9	IMR8	
REC	Bit7	Bit6	Bit5	Bit4	Bit3	Bit2	Bit1	Bit0	
TEC	Bit7	Bit6	Bit5	Bit4	Bit3	Bit2	Bit1	Bit0	
UMSR	UMSR7	UMSR6	UMSR5	UMSR4	UMSR3	UMSR2	UMSR1	UMSR0	
	UMSR15	UMSR14	UMSR13	UMSR12	UMSR11	UMSR10	UMSR9	UMSR8	



Register Abbrev.	Bit 7	Bit 6	Bit 5	Bit 4	Bit 3	Bit 2	Bit 1	Bit 0	Module
LAFML	LAFML7	LAFML6	LAFML5	LAFML4	LAFML3	LAFML2	LAFML1	LAFML0	HCAN*2
	LAFML15	LAFML14	LAFML13	LAFML12	LAFML11	LAFML10	LAFML9	LAFML8	
LAFMH	LAFMH7	LAFMH6	LAFMH5	—	—	—	LAFMH1	LAFMH0	
	LAFMH15	LAFMH14	LAFMH13	LAFMH12	LAFMH11	LAFMH10	LAFMH9	LAFMH8	
MC0[1]	—	—	—	—	DLC3	DLC2	DLC1	DLC0	
MC0[2]	—	—	—	—	—	—	—	—	
MC0[3]	—	—	—	—	—	—	—	—	
MC0[4]	—	—	—	—	—	—	—	—	
MC0[5]	ID-20	ID-19	ID-18	RTR	IDE	—	ID-17	ID-16	
MC0[6]	ID-28	ID-27	ID-26	ID-25	ID-24	ID-23	ID-22	ID-21	
MC0[7]	ID-7	ID-6	ID-5	ID-4	ID-3	ID-2	ID-1	ID-0	
MC0[8]	ID-15	ID-14	ID-13	ID-12	ID-11	ID-10	ID-9	ID-8	
MC1[1]	—	—	—	—	DLC3	DLC2	DLC1	DLC0	
MC1[2]	—	—	—	—	—	—	—	—	
MC1[3]	—	—	—	—	—	—	—	—	
MC1[4]	—	—	—	—	—	—	—	—	
MC1[5]	ID-20	ID-19	ID-18	RTR	IDE	—	ID-17	ID-16	
MC1[6]	ID-28	ID-27	ID-26	ID-25	ID-24	ID-23	ID-22	ID-21	
MC1[7]	ID-7	ID-6	ID-5	ID-4	ID-3	ID-2	ID-1	ID-0	
MC1[8]	ID-15	ID-14	ID-13	ID-12	ID-11	ID-10	ID-9	ID-8	
MC2[1]	—	—	—	—	DLC3	DLC2	DLC1	DLC0	
MC2[2]	—	—	—	—	—	—	—	—	
MC2[3]	—	—	—	—	—	—	—	—	
MC2[4]	—	—	—	—	—	—	—	—	
MC2[5]	ID-20	ID-19	ID-18	RTR	IDE	—	ID-17	ID-16	
MC2[6]	ID-28	ID-27	ID-26	ID-25	ID-24	ID-23	ID-22	ID-21	
MC2[7]	ID-7	ID-6	ID-5	ID-4	ID-3	ID-2	ID-1	ID-0	
MC2[8]	ID-15	ID-14	ID-13	ID-12	ID-11	ID-10	ID-9	ID-8	
MC3[1]	—	—	—	—	DLC3	DLC2	DLC1	DLC0	
MC3[2]	—	—	—	—	—	—	—	—	
MC3[3]	—	—	—	—	—	—	—	—	
MC3[4]	—	—	—	—	—	—	—	—	
MC3[5]	ID-20	ID-19	ID-18	RTR	IDE	—	ID-17	ID-16	

## Section 21 List of Registers

Register Abbrev.	Bit 7	Bit 6	Bit 5	Bit 4	Bit 3	Bit 2	Bit 1	Bit 0	Module
MC3[6]	ID-28	ID-27	ID-26	ID-25	ID-24	ID-23	ID-22	ID-21	HCAN <sup>*2</sup>
MC3[7]	ID-7	ID-6	ID-5	ID-4	ID-3	ID-2	ID-1	ID-0	
MC3[8]	ID-15	ID-14	ID-13	ID-12	ID-11	ID-10	ID-9	ID-8	
MC4[1]	—	—	—	—	DLC3	DLC2	DLC1	DLC0	
MC4[2]	—	—	—	—	—	—	—	—	
MC4[3]	—	—	—	—	—	—	—	—	
MC4[4]	—	—	—	—	—	—	—	—	
MC4[5]	ID-20	ID-19	ID-18	RTR	IDE	—	ID-17	ID-16	
MC4[6]	ID-28	ID-27	ID-26	ID-25	ID-24	ID-23	ID-22	ID-21	
MC4[7]	ID-7	ID-6	ID-5	ID-4	ID-3	ID-2	ID-1	ID-0	
MC4[8]	ID-15	ID-14	ID-13	ID-12	ID-11	ID-10	ID-9	ID-8	
MC5[1]	—	—	—	—	DLC3	DLC2	DLC1	DLC0	
MC5[2]	—	—	—	—	—	—	—	—	
MC5[3]	—	—	—	—	—	—	—	—	
MC5[4]	—	—	—	—	—	—	—	—	
MC5[5]	ID-20	ID-19	ID-18	RTR	IDE	—	ID-17	ID-16	
MC5[6]	ID-28	ID-27	ID-26	ID-25	ID-24	ID-23	ID-22	ID-21	
MC5[7]	ID-7	ID-6	ID-5	ID-4	ID-3	ID-2	ID-1	ID-0	
MC5[8]	ID-15	ID-14	ID-13	ID-12	ID-11	ID-10	ID-9	ID-8	
MC6[1]	—	—	—	—	DLC3	DLC2	DLC1	DLC0	
MC6[2]	—	—	—	—	—	—	—	—	
MC6[3]	—	—	—	—	—	—	—	—	
MC6[4]	—	—	—	—	—	—	—	—	
MC6[5]	ID-20	ID-19	ID-18	RTR	IDE	—	ID-17	ID-16	
MC6[6]	ID-28	ID-27	ID-26	ID-25	ID-24	ID-23	ID-22	ID-21	
MC6[7]	ID-7	ID-6	ID-5	ID-4	ID-3	ID-2	ID-1	ID-0	
MC6[8]	ID-15	ID-14	ID-13	ID-12	ID-11	ID-10	ID-9	ID-8	
MC7[1]	—	—	—	—	DLC3	DLC2	DLC1	DLC0	
MC7[2]	—	—	—	—	—	—	—	—	
MC7[3]	—	—	—	—	—	—	—	—	
MC7[4]	—	—	—	—	—	—	—	—	
MC7[5]	ID-20	ID-19	ID-18	RTR	IDE	—	ID-17	ID-16	
MC7[6]	ID-28	ID-27	ID-26	ID-25	ID-24	ID-23	ID-22	ID-21	

Register	Bit 7	Bit 6	Bit 5	Bit 4	Bit 3	Bit 2	Bit 1	Bit 0	Module
MC7[7]	ID-7	ID-6	ID-5	ID-4	ID-3	ID-2	ID-1	ID-0	HCAN <sup>*2</sup>
MC7[8]	ID-15	ID-14	ID-13	ID-12	ID-11	ID-10	ID-9	ID-8	
MC8[1]	—	—	—	—	DLC3	DLC2	DLC1	DLC0	
MC8[2]	—	—	—	—	—	—	—	—	
MC8[3]	—	—	—	—	—	—	—	—	
MC8[4]	—	—	—	—	—	—	—	—	
MC8[5]	ID-20	ID-19	ID-18	RTR	IDE	—	ID-17	ID-16	
MC8[6]	ID-28	ID-27	ID-26	ID-25	ID-24	ID-23	ID-22	ID-21	
MC8[7]	ID-7	ID-6	ID-5	ID-4	ID-3	ID-2	ID-1	ID-0	
MC8[8]	ID-15	ID-14	ID-13	ID-12	ID-11	ID-10	ID-9	ID-8	
MC9[1]	—	—	—	—	DLC3	DLC2	DLC1	DLC0	
MC9[2]	—	—	—	—	—	—	—	—	
MC9[3]	—	—	—	—	—	—	—	—	
MC9[4]	—	—	—	—	—	—	—	—	
MC9[5]	ID-20	ID-19	ID-18	RTR	IDE	—	ID-17	ID-16	
MC9[6]	ID-28	ID-27	ID-26	ID-25	ID-24	ID-23	ID-22	ID-21	
MC9[7]	ID-7	ID-6	ID-5	ID-4	ID-3	ID-2	ID-1	ID-0	
MC9[8]	ID-15	ID-14	ID-13	ID-12	ID-11	ID-10	ID-9	ID-8	
MC10[1]	—	—	—	—	DLC3	DLC2	DLC1	DLC0	
MC10[2]	—	—	—	—	—	—	—	—	
MC10[3]	—	—	—	—	—	—	—	—	
MC10[4]	—	—	—	—	—	—	—	—	
MC10[5]	ID-20	ID-19	ID-18	RTR	IDE	—	ID-17	ID-16	
MC10[6]	ID-28	ID-27	ID-26	ID-25	ID-24	ID-23	ID-22	ID-21	
MC10[7]	ID-7	ID-6	ID-5	ID-4	ID-3	ID-2	ID-1	ID-0	
MC10[8]	ID-15	ID-14	ID-13	ID-12	ID-11	ID-10	ID-9	ID-8	
MC11[1]	—	—	—	—	DLC3	DLC2	DLC1	DLC0	
MC11[2]	—	—	—	—	—	—	—	—	
MC11[3]	—	—	—	—	—	—	—	—	
MC11[4]	—	—	—	—	—	—	—	—	
MC11[5]	ID-20	ID-19	ID-18	RTR	IDE	—	ID-17	ID-16	
MC11[6]	ID-28	ID-27	ID-26	ID-25	ID-24	ID-23	ID-22	ID-21	
MC11[7]	ID-7	ID-6	ID-5	ID-4	ID-3	ID-2	ID-1	ID-0	

## Section 21 List of Registers

Register Abbrev.	Bit 7	Bit 6	Bit 5	Bit 4	Bit 3	Bit 2	Bit 1	Bit 0	Module
MC11[8]	ID-15	ID-14	ID-13	ID-12	ID-11	ID-10	ID-9	ID-8	HCAN <sup>*2</sup>
MC12[1]	—	—	—	—	DLC3	DLC2	DLC1	DLC0	
MC12[2]	—	—	—	—	—	—	—	—	
MC12[3]	—	—	—	—	—	—	—	—	
MC12[4]	—	—	—	—	—	—	—	—	
MC12[5]	ID-20	ID-19	ID-18	RTR	IDE	—	ID-17	ID-16	
MC12[6]	ID-28	ID-27	ID-26	ID-25	ID-24	ID-23	ID-22	ID-21	
MC12[7]	ID-7	ID-6	ID-5	ID-4	ID-3	ID-2	ID-1	ID-0	
MC12[8]	ID-15	ID-14	ID-13	ID-12	ID-11	ID-10	ID-9	ID-8	
MC13[1]	—	—	—	—	DLC3	DLC2	DLC1	DLC0	
MC13[2]	—	—	—	—	—	—	—	—	
MC13[3]	—	—	—	—	—	—	—	—	
MC13[4]	—	—	—	—	—	—	—	—	
MC13[5]	ID-20	ID-19	ID-18	RTR	IDE	—	ID-17	ID-16	
MC13[6]	ID-28	ID-27	ID-26	ID-25	ID-24	ID-23	ID-22	ID-21	
MC13[7]	ID-7	ID-6	ID-5	ID-4	ID-3	ID-2	ID-1	ID-0	
MC13[8]	ID-15	ID-14	ID-13	ID-12	ID-11	ID-10	ID-9	ID-8	
MC14[1]	—	—	—	—	DLC3	DLC2	DLC1	DLC0	
MC14[2]	—	—	—	—	—	—	—	—	
MC14[3]	—	—	—	—	—	—	—	—	
MC14[4]	—	—	—	—	—	—	—	—	
MC14[5]	ID-20	ID-19	ID-18	RTR	IDE	—	ID-17	ID-16	
MC14[6]	ID-28	ID-27	ID-26	ID-25	ID-24	ID-23	ID-22	ID-21	
MC14[7]	ID-7	ID-6	ID-5	ID-4	ID-3	ID-2	ID-1	ID-0	
MC14[8]	ID-15	ID-14	ID-13	ID-12	ID-11	ID-10	ID-9	ID-8	
MC15[1]	—	—	—	—	DLC3	DLC2	DLC1	DLC0	
MC15[2]	—	—	—	—	—	—	—	—	
MC15[3]	—	—	—	—	—	—	—	—	
MC15[4]	—	—	—	—	—	—	—	—	
MC15[5]	ID-20	ID-19	ID-18	RTR	IDE	—	ID-17	ID-16	
MC15[6]	ID-28	ID-27	ID-26	ID-25	ID-24	ID-23	ID-22	ID-21	
MC15[7]	ID-7	ID-6	ID-5	ID-4	ID-3	ID-2	ID-1	ID-0	
MC15[8]	ID-15	ID-14	ID-13	ID-12	ID-11	ID-10	ID-9	ID-8	

Register	Bit 7	Bit 6	Bit 5	Bit 4	Bit 3	Bit 2	Bit 1	Bit 0	Module
MD0[1]	Bit7	Bit6	Bit5	Bit4	Bit3	Bit2	Bit1	Bit0	HCAN <sup>*2</sup>
MD0[2]	Bit7	Bit6	Bit5	Bit4	Bit3	Bit2	Bit1	Bit0	
MD0[3]	Bit7	Bit6	Bit5	Bit4	Bit3	Bit2	Bit1	Bit0	
MD0[4]	Bit7	Bit6	Bit5	Bit4	Bit3	Bit2	Bit1	Bit0	
MD0[5]	Bit7	Bit6	Bit5	Bit4	Bit3	Bit2	Bit1	Bit0	
MD0[6]	Bit7	Bit6	Bit5	Bit4	Bit3	Bit2	Bit1	Bit0	
MD0[7]	Bit7	Bit6	Bit5	Bit4	Bit3	Bit2	Bit1	Bit0	
MD0[8]	Bit7	Bit6	Bit5	Bit4	Bit3	Bit2	Bit1	Bit0	
MD1[1]	Bit7	Bit6	Bit5	Bit4	Bit3	Bit2	Bit1	Bit0	HCAN <sup>*2</sup>
MD1[2]	Bit7	Bit6	Bit5	Bit4	Bit3	Bit2	Bit1	Bit0	
MD1[3]	Bit7	Bit6	Bit5	Bit4	Bit3	Bit2	Bit1	Bit0	
MD1[4]	Bit7	Bit6	Bit5	Bit4	Bit3	Bit2	Bit1	Bit0	
MD1[5]	Bit7	Bit6	Bit5	Bit4	Bit3	Bit2	Bit1	Bit0	
MD1[6]	Bit7	Bit6	Bit5	Bit4	Bit3	Bit2	Bit1	Bit0	
MD1[7]	Bit7	Bit6	Bit5	Bit4	Bit3	Bit2	Bit1	Bit0	
MD1[8]	Bit7	Bit6	Bit5	Bit4	Bit3	Bit2	Bit1	Bit0	
MD2[1]	Bit7	Bit6	Bit5	Bit4	Bit3	Bit2	Bit1	Bit0	HCAN <sup>*2</sup>
MD2[2]	Bit7	Bit6	Bit5	Bit4	Bit3	Bit2	Bit1	Bit0	
MD2[3]	Bit7	Bit6	Bit5	Bit4	Bit3	Bit2	Bit1	Bit0	
MD2[4]	Bit7	Bit6	Bit5	Bit4	Bit3	Bit2	Bit1	Bit0	
MD2[5]	Bit7	Bit6	Bit5	Bit4	Bit3	Bit2	Bit1	Bit0	
MD2[6]	Bit7	Bit6	Bit5	Bit4	Bit3	Bit2	Bit1	Bit0	
MD2[7]	Bit7	Bit6	Bit5	Bit4	Bit3	Bit2	Bit1	Bit0	
MD2[8]	Bit7	Bit6	Bit5	Bit4	Bit3	Bit2	Bit1	Bit0	
MD3[1]	Bit7	Bit6	Bit5	Bit4	Bit3	Bit2	Bit1	Bit0	HCAN <sup>*2</sup>
MD3[2]	Bit7	Bit6	Bit5	Bit4	Bit3	Bit2	Bit1	Bit0	
MD3[3]	Bit7	Bit6	Bit5	Bit4	Bit3	Bit2	Bit1	Bit0	
MD3[4]	Bit7	Bit6	Bit5	Bit4	Bit3	Bit2	Bit1	Bit0	
MD3[5]	Bit7	Bit6	Bit5	Bit4	Bit3	Bit2	Bit1	Bit0	
MD3[6]	Bit7	Bit6	Bit5	Bit4	Bit3	Bit2	Bit1	Bit0	
MD3[7]	Bit7	Bit6	Bit5	Bit4	Bit3	Bit2	Bit1	Bit0	
MD3[8]	Bit7	Bit6	Bit5	Bit4	Bit3	Bit2	Bit1	Bit0	

Register Abbrev.	Bit 7	Bit 6	Bit 5	Bit 4	Bit 3	Bit 2	Bit 1	Bit 0	Module
MD4[1]	Bit7	Bit6	Bit5	Bit4	Bit3	Bit2	Bit1	Bit0	HCAN <sup>*2</sup>
MD4[2]	Bit7	Bit6	Bit5	Bit4	Bit3	Bit2	Bit1	Bit0	
MD4[3]	Bit7	Bit6	Bit5	Bit4	Bit3	Bit2	Bit1	Bit0	
MD4[4]	Bit7	Bit6	Bit5	Bit4	Bit3	Bit2	Bit1	Bit0	
MD4[5]	Bit7	Bit6	Bit5	Bit4	Bit3	Bit2	Bit1	Bit0	
MD4[6]	Bit7	Bit6	Bit5	Bit4	Bit3	Bit2	Bit1	Bit0	
MD4[7]	Bit7	Bit6	Bit5	Bit4	Bit3	Bit2	Bit1	Bit0	
MD4[8]	Bit7	Bit6	Bit5	Bit4	Bit3	Bit2	Bit1	Bit0	
MD5[1]	Bit7	Bit6	Bit5	Bit4	Bit3	Bit2	Bit1	Bit0	
MD5[2]	Bit7	Bit6	Bit5	Bit4	Bit3	Bit2	Bit1	Bit0	
MD5[3]	Bit7	Bit6	Bit5	Bit4	Bit3	Bit2	Bit1	Bit0	
MD5[4]	Bit7	Bit6	Bit5	Bit4	Bit3	Bit2	Bit1	Bit0	
MD5[5]	Bit7	Bit6	Bit5	Bit4	Bit3	Bit2	Bit1	Bit0	
MD5[6]	Bit7	Bit6	Bit5	Bit4	Bit3	Bit2	Bit1	Bit0	
MD5[7]	Bit7	Bit6	Bit5	Bit4	Bit3	Bit2	Bit1	Bit0	
MD5[8]	Bit7	Bit6	Bit5	Bit4	Bit3	Bit2	Bit1	Bit0	
MD6[1]	Bit7	Bit6	Bit5	Bit4	Bit3	Bit2	Bit1	Bit0	
MD6[2]	Bit7	Bit6	Bit5	Bit4	Bit3	Bit2	Bit1	Bit0	
MD6[3]	Bit7	Bit6	Bit5	Bit4	Bit3	Bit2	Bit1	Bit0	
MD6[4]	Bit7	Bit6	Bit5	Bit4	Bit3	Bit2	Bit1	Bit0	
MD6[5]	Bit7	Bit6	Bit5	Bit4	Bit3	Bit2	Bit1	Bit0	
MD6[6]	Bit7	Bit6	Bit5	Bit4	Bit3	Bit2	Bit1	Bit0	
MD6[7]	Bit7	Bit6	Bit5	Bit4	Bit3	Bit2	Bit1	Bit0	
MD6[8]	Bit7	Bit6	Bit5	Bit4	Bit3	Bit2	Bit1	Bit0	
MD7[1]	Bit7	Bit6	Bit5	Bit4	Bit3	Bit2	Bit1	Bit0	
MD7[2]	Bit7	Bit6	Bit5	Bit4	Bit3	Bit2	Bit1	Bit0	
MD7[3]	Bit7	Bit6	Bit5	Bit4	Bit3	Bit2	Bit1	Bit0	
MD7[4]	Bit7	Bit6	Bit5	Bit4	Bit3	Bit2	Bit1	Bit0	
MD7[5]	Bit7	Bit6	Bit5	Bit4	Bit3	Bit2	Bit1	Bit0	
MD7[6]	Bit7	Bit6	Bit5	Bit4	Bit3	Bit2	Bit1	Bit0	
MD7[7]	Bit7	Bit6	Bit5	Bit4	Bit3	Bit2	Bit1	Bit0	
MD7[8]	Bit7	Bit6	Bit5	Bit4	Bit3	Bit2	Bit1	Bit0	

Register	Bit 7	Bit 6	Bit 5	Bit 4	Bit 3	Bit 2	Bit 1	Bit 0	Module
MD8[1]	Bit7	Bit6	Bit5	Bit4	Bit3	Bit2	Bit1	Bit0	HCAN <sup>*2</sup>
MD8[2]	Bit7	Bit6	Bit5	Bit4	Bit3	Bit2	Bit1	Bit0	
MD8[3]	Bit7	Bit6	Bit5	Bit4	Bit3	Bit2	Bit1	Bit0	
MD8[4]	Bit7	Bit6	Bit5	Bit4	Bit3	Bit2	Bit1	Bit0	
MD8[5]	Bit7	Bit6	Bit5	Bit4	Bit3	Bit2	Bit1	Bit0	
MD8[6]	Bit7	Bit6	Bit5	Bit4	Bit3	Bit2	Bit1	Bit0	
MD8[7]	Bit7	Bit6	Bit5	Bit4	Bit3	Bit2	Bit1	Bit0	
MD8[8]	Bit7	Bit6	Bit5	Bit4	Bit3	Bit2	Bit1	Bit0	
MD9[1]	Bit7	Bit6	Bit5	Bit4	Bit3	Bit2	Bit1	Bit0	
MD9[2]	Bit7	Bit6	Bit5	Bit4	Bit3	Bit2	Bit1	Bit0	
MD9[3]	Bit7	Bit6	Bit5	Bit4	Bit3	Bit2	Bit1	Bit0	
MD9[4]	Bit7	Bit6	Bit5	Bit4	Bit3	Bit2	Bit1	Bit0	
MD9[5]	Bit7	Bit6	Bit5	Bit4	Bit3	Bit2	Bit1	Bit0	
MD9[6]	Bit7	Bit6	Bit5	Bit4	Bit3	Bit2	Bit1	Bit0	
MD9[7]	Bit7	Bit6	Bit5	Bit4	Bit3	Bit2	Bit1	Bit0	
MD9[8]	Bit7	Bit6	Bit5	Bit4	Bit3	Bit2	Bit1	Bit0	
MD10[1]	Bit7	Bit6	Bit5	Bit4	Bit3	Bit2	Bit1	Bit0	
MD10[2]	Bit7	Bit6	Bit5	Bit4	Bit3	Bit2	Bit1	Bit0	
MD10[3]	Bit7	Bit6	Bit5	Bit4	Bit3	Bit2	Bit1	Bit0	
MD10[4]	Bit7	Bit6	Bit5	Bit4	Bit3	Bit2	Bit1	Bit0	
MD10[5]	Bit7	Bit6	Bit5	Bit4	Bit3	Bit2	Bit1	Bit0	
MD10[6]	Bit7	Bit6	Bit5	Bit4	Bit3	Bit2	Bit1	Bit0	
MD10[7]	Bit7	Bit6	Bit5	Bit4	Bit3	Bit2	Bit1	Bit0	
MD10[8]	Bit7	Bit6	Bit5	Bit4	Bit3	Bit2	Bit1	Bit0	
MD11[1]	Bit7	Bit6	Bit5	Bit4	Bit3	Bit2	Bit1	Bit0	
MD11[2]	Bit7	Bit6	Bit5	Bit4	Bit3	Bit2	Bit1	Bit0	
MD11[3]	Bit7	Bit6	Bit5	Bit4	Bit3	Bit2	Bit1	Bit0	
MD11[4]	Bit7	Bit6	Bit5	Bit4	Bit3	Bit2	Bit1	Bit0	
MD11[5]	Bit7	Bit6	Bit5	Bit4	Bit3	Bit2	Bit1	Bit0	
MD11[6]	Bit7	Bit6	Bit5	Bit4	Bit3	Bit2	Bit1	Bit0	
MD11[7]	Bit7	Bit6	Bit5	Bit4	Bit3	Bit2	Bit1	Bit0	
MD11[8]	Bit7	Bit6	Bit5	Bit4	Bit3	Bit2	Bit1	Bit0	

Register									
Abbrev.	Bit 7	Bit 6	Bit 5	Bit 4	Bit 3	Bit 2	Bit 1	Bit 0	Module
MD12[1]	Bit7	Bit6	Bit5	Bit4	Bit3	Bit2	Bit1	Bit0	HCAN <sup>*2</sup>
MD12[2]	Bit7	Bit6	Bit5	Bit4	Bit3	Bit2	Bit1	Bit0	
MD12[3]	Bit7	Bit6	Bit5	Bit4	Bit3	Bit2	Bit1	Bit0	
MD12[4]	Bit7	Bit6	Bit5	Bit4	Bit3	Bit2	Bit1	Bit0	
MD12[5]	Bit7	Bit6	Bit5	Bit4	Bit3	Bit2	Bit1	Bit0	
MD12[6]	Bit7	Bit6	Bit5	Bit4	Bit3	Bit2	Bit1	Bit0	
MD12[7]	Bit7	Bit6	Bit5	Bit4	Bit3	Bit2	Bit1	Bit0	
MD12[8]	Bit7	Bit6	Bit5	Bit4	Bit3	Bit2	Bit1	Bit0	
MD13[1]	Bit7	Bit6	Bit5	Bit4	Bit3	Bit2	Bit1	Bit0	
MD13[2]	Bit7	Bit6	Bit5	Bit4	Bit3	Bit2	Bit1	Bit0	
MD13[3]	Bit7	Bit6	Bit5	Bit4	Bit3	Bit2	Bit1	Bit0	
MD13[4]	Bit7	Bit6	Bit5	Bit4	Bit3	Bit2	Bit1	Bit0	
MD13[5]	Bit7	Bit6	Bit5	Bit4	Bit3	Bit2	Bit1	Bit0	
MD13[6]	Bit7	Bit6	Bit5	Bit4	Bit3	Bit2	Bit1	Bit0	
MD13[7]	Bit7	Bit6	Bit5	Bit4	Bit3	Bit2	Bit1	Bit0	
MD13[8]	Bit7	Bit6	Bit5	Bit4	Bit3	Bit2	Bit1	Bit0	
MD14[1]	Bit7	Bit6	Bit5	Bit4	Bit3	Bit2	Bit1	Bit0	
MD14[2]	Bit7	Bit6	Bit5	Bit4	Bit3	Bit2	Bit1	Bit0	
MD14[3]	Bit7	Bit6	Bit5	Bit4	Bit3	Bit2	Bit1	Bit0	
MD14[4]	Bit7	Bit6	Bit5	Bit4	Bit3	Bit2	Bit1	Bit0	
MD14[5]	Bit7	Bit6	Bit5	Bit4	Bit3	Bit2	Bit1	Bit0	
MD14[6]	Bit7	Bit6	Bit5	Bit4	Bit3	Bit2	Bit1	Bit0	
MD14[7]	Bit7	Bit6	Bit5	Bit4	Bit3	Bit2	Bit1	Bit0	
MD14[8]	Bit7	Bit6	Bit5	Bit4	Bit3	Bit2	Bit1	Bit0	
MD15[1]	Bit7	Bit6	Bit5	Bit4	Bit3	Bit2	Bit1	Bit0	
MD15[2]	Bit7	Bit6	Bit5	Bit4	Bit3	Bit2	Bit1	Bit0	
MD15[3]	Bit7	Bit6	Bit5	Bit4	Bit3	Bit2	Bit1	Bit0	
MD15[4]	Bit7	Bit6	Bit5	Bit4	Bit3	Bit2	Bit1	Bit0	
MD15[5]	Bit7	Bit6	Bit5	Bit4	Bit3	Bit2	Bit1	Bit0	
MD15[6]	Bit7	Bit6	Bit5	Bit4	Bit3	Bit2	Bit1	Bit0	
MD15[7]	Bit7	Bit6	Bit5	Bit4	Bit3	Bit2	Bit1	Bit0	
MD15[8]	Bit7	Bit6	Bit5	Bit4	Bit3	Bit2	Bit1	Bit0	



Register Abbrev.	Bit 7	Bit 6	Bit 5	Bit 4	Bit 3	Bit 2	Bit 1	Bit 0	Module
PWCR_1	—	—	IE	CMF	CST	CKS2	CKS1	CKS0	PWM_1
PWOCR_1	OE1H	OE1G	OE1F	OE1E	OE1D	OE1C	OE1B	OE1A	
PWPR1_	OPS1H	OPS1G	OPS1F	OPS1E	OPS1D	OPS1C	OPS1B	OPS1A	
PWCYR_1	—	—	—	—	—	—	Bit 9	Bit 8	
	Bit 7	Bit 6	Bit 5	Bit 4	Bit 3	Bit 2	Bit 1	Bit 0	
PWBFR_1A	—	—	—	OTS	—	—	DT9	DT8	
	DT7	DT6	DT5	DT4	DT3	DT2	DT1	DT0	
PWBFR_1C	—	—	—	OTS	—	—	DT9	DT8	
	DT7	DT6	DT5	DT4	DT3	DT2	DT1	DT0	
PWBFR_1E	—	—	—	OTS	—	—	DT9	DT8	
	DT7	DT6	DT5	DT4	DT3	DT2	DT1	DT0	
PWBFR_1G	—	—	—	OTS	—	—	DT9	DT8	
	DT7	DT6	DT5	DT4	DT3	DT2	DT1	DT0	
PWCR_2	—	—	IE	CMF	CST	CKS2	CKS1	CKS0	PWM_2
PWOCR_2	OE2H	OE2G	OE2F	OE2E	OE2D	OE2C	OE2B	OE2A	
PWPR_2	OPS2H	OPS2G	OPS2F	OPS2E	OPS2D	OPS2C	OPS2B	OPS2A	
PWCYR2	—	—	—	—	—	—	Bit 9	Bit 8	
	Bit 7	Bit 6	Bit 5	Bit 4	Bit 3	Bit 2	Bit 1	Bit 0	
PWBFR_2A	—	—	—	TDS	—	—	DT9	DT8	
	DT7	DT6	DT5	DT4	DT3	DT2	DT1	DT0	
PWBFR_2B	—	—	—	TDS	—	—	DT9	DT8	
	DT7	DT6	DT5	DT4	DT3	DT2	DT1	DT0	
PWBFR_2C	—	—	—	TDS	—	—	DT9	DT8	
	DT7	DT6	DT5	DT4	DT3	DT2	DT1	DT0	
PWBFR_2D	—	—	—	TDS	—	—	DT9	DT8	
	DT7	DT6	DT5	DT4	DT3	DT2	DT1	DT0	
PHDDR	PH7DDR	PH6DDR	PH5DDR	PH4DDR	PH3DDR	PH2DDR	PH1DDR	PH0DDR	PORT
PJDDR	PJ7DDR	PJ6DDR	PJ5DDR	PJ4DDR	PJ3DDR	PJ2DDR	PJ1DDR	PJ0DDR	
PHDR	PH7DR	PH6DR	PH5DR	PH4DR	PH3DR	PH2DR	PH1DR	PH0DR	
PJDR	PJ7DR	PJ6DR	PJ5DR	PJ4DR	PJ3DR	PJ2DR	PJ1DR	PJ0DR	
PORTH	PH7	PH6	PH5	PH4	PH3	PH2	PH1	PH0	
PORTJ	PJ7	PJ6	PJ5	PJ4	PJ3	PJ2	PJ1	PJ0	
TRPRT	—	—	—	—	—	—	TRPB	TRPA	

## Section 21 List of Registers

Register									
Abbrev.	Bit 7	Bit 6	Bit 5	Bit 4	Bit 3	Bit 2	Bit 1	Bit 0	Module
LPCR	DTS1	DTS0	CMX	—	SGS3	SGS2	SGS1	SGS0	LCD
LCR	—	PSW	ACT	DISP	CKS3	CKS2	CKS1	CKS0	
LCR2	LCDAB	—	—	—	—	—	—	—	
MSTPCRD	MSTPD7	MSTPD6	—	—	—	—	—	—	SYSTEM
SBYCR	SSBY	STS2	STS1	STS0	—	—	—	—	
SYSCR	—	—	INTM1	INTM0	NMIEG	—	—	RAME	
SCKCR	PSTOP	—	—	—	STCS	SCK2	SCK1	SCK0	
MDCR	—	—	—	—	—	MDS2	—	MDS0	
MSTPCRA	MSTPA7	MSTPA6	MSTPA5	MSTPA4	MSTPA3	MSTPA2	MSTPA1	MSTPA0	
MSTPCRB	MSTPB7	MSTPB6	MSTPB5	MSTPB4	MSTPB3	MSTPB2	MSTPB1	MSTPB0	
MSTPCRC	MSTPC7	MSTPC6	MSTPC5	MSTPC4	MSTPC3	MSTPC2	MSTPC1	MSTPC0	
LPWRCR	DTON	LSON	—	SUBSTP	RFCUT	—	STC1	STC0	
ISCRH	—	—	—	—	IRQ5SCB	IRQ5SCA	IRQ4SCB	IRQ4SCA	INT
ISCR L	IRQ3SCB	IRQ3SCA	IRQ2SCB	IRQ2SCA	IRQ1SCB	IRQ1SCA	IRQ0SCB	IRQ0SCA	
IER	—	—	IRQ5E	IRQ4E	IRQ3E	IRQ2E	IRQ1E	IRQ0E	
ISR	—	—	IRQ5F	IRQ4F	IRQ3F	IRQ2F	IRQ1F	IRQ0F	
P1DDR	P17DDR	P16DDR	P15DDR	P14DDR	P13DDR	P12DDR	P11DDR	P10DDR	PORT
P3DDR	—	—	P35DDR	P34DDR	P33DDR	P32DDR	P31DDR	P30DDR	
PADDR	PA7DDR	PA6DDR	PA5DDR	PA4DDR	PA3DDR	PA2DDR	PA1DDR	PA0DDR	
PBDDR	PB7DDR	PB6DDR	PB5DDR	PB4DDR	PB3DDR	PB2DDR	PB1DDR	PB0DDR	
PCDDR	PC7DDR	PC6DDR	PC5DDR	PC4DDR	PC3DDR	PC2DDR	PC1DDR	PC0DDR	
PDDDR	PD7DDR	PD6DDR	PD5DDR	PD4DDR	—	—	—	—	
PFDDR	PF7DDR	PF6DDR	PF5DDR	PF4DDR	PF3DDR	PF2DDR	PF1DDR <sup>*3</sup>	PF0DDR <sup>*3</sup>	
P3ODR	—	—	P35ODR	P34ODR	P33ODR	P32ODR	P31ODR	P30ODR	
PAODR	PA7ODR	PA6ODR	PA5ODR	PA4ODR	PA3ODR	PA2ODR	PA1ODR	PA0ODR	
PBODR	PB7ODR	PB6ODR	PB5ODR	PB4ODR	PB3ODR	PB2ODR	PB1ODR	PB0ODR	
PCODR	PC7ODR	PC6ODR	PC5ODR	PC4ODR	PC3ODR	PC2ODR	PC1ODR	PC0ODR	
TSTR	—	—	—	—	—	CST2	CST1	CST0	TPU
TSYR	—	—	—	—	—	SYNC2	SYNC1	SYNC0	common

Register Abbrev.	Bit 7	Bit 6	Bit 5	Bit 4	Bit 3	Bit 2	Bit 1	Bit 0	Module
IPRA	—	IPR6	IPR5	IPR4	—	IPR2	IPR1	IPR0	INT
IPRB	—	IPR6	IPR5	IPR4	—	IPR2	IPR1	IPR0	
IPRC	—	IPR6	IPR5	IPR4	—	IPR2	IPR1	IPR0	
IPRD	—	IPR6	IPR5	IPR4	—	IPR2	IPR1	IPR0	
IPRE	—	IPR6	IPR5	IPR4	—	IPR2	IPR1	IPR0	
IPRF	—	IPR6	IPR5	IPR4	—	IPR2	IPR1	IPR0	
IPRG	—	IPR6	IPR5	IPR4	—	IPR2	IPR1	IPR0	
IPRJ	—	IPR6	IPR5	IPR4	—	IPR2	IPR1	IPR0	
IPRK	—	IPR6	IPR5	IPR4	—	IPR2	IPR1	IPR0	
IPRM	—	IPR6	IPR5	IPR4	—	IPR2	IPR1	IPR0	
RAMER* <sup>2</sup>	—	—	—	—	RAMS	RAM2	RAM1	RAM0	FLASH (F-ZTAT version)
P1DR	P17DR	P16DR	P15DR	P14DR	P13DR	P12DR	P11DR	P10DR	PORT
P3DR	—	—	P35DR	P34DR	P33DR	P32DR	P31DR	P30DR	
PADR	PA7DR	PA6DR	PA5DR	PA4DR	PA3DR	PA2DR	PA1DR	PA0DR	
PBDR	PB7DR	PB6DR	PB5DR	PB4DR	PB3DR	PB2DR	PB1DR	PB0DR	
PCDR	PC7DR	PC6DR	PC5DR	PC4DR	PC3DR	PC2DR	PC1DR	PC0DR	
PDDR	PD7DR	PD6DR	PD5DR	PD4DR	—	—	—	—	
PFDR	—	PF6DR	PF5DR	PF4DR	PF3DR	PF2DR	PF1DR* <sup>3</sup>	PF0DR* <sup>3</sup>	
TCR_0	CCLR2	CCLR1	CCLR0	CKEG1	CKEG0	TPSC2	TPSC1	TPSC0	TPU_0
TMDR_0	—	—	BFB	BFA	MD3	MD2	MD1	MD0	
TIORH_0	IOB3	IOB2	IOB1	IOB0	IOA3	IOA2	IOA1	IOA0	
TIORL_0	IOD3	IOD2	IOD1	IOD0	IOC3	IOC2	IOC1	IOC0	
TIER_0	TTGE	—	—	TCIEV	TGIED	TGIEC	TGIEB	TGIEA	
TSR_0	—	—	—	TCFV	TGFD	TGFC	TGFB	TGFA	
TCNTH_0	Bit15	Bit14	Bit13	Bit12	Bit11	Bit10	Bit9	Bit8	
TCNTL_0	Bit7	Bit6	Bit5	Bit4	Bit3	Bit2	Bit1	Bit0	
TGRAH_0	Bit15	Bit14	Bit13	Bit12	Bit11	Bit10	Bit9	Bit8	
TGRAL_0	Bit7	Bit6	Bit5	Bit4	Bit3	Bit2	Bit1	Bit0	
TGRBH_0	Bit15	Bit14	Bit13	Bit12	Bit11	Bit10	Bit9	Bit8	
TGRBL_0	Bit7	Bit6	Bit5	Bit4	Bit3	Bit2	Bit1	Bit0	
TGRCH_0	Bit15	Bit14	Bit13	Bit12	Bit11	Bit10	Bit9	Bit8	
TGRCL_0	Bit7	Bit6	Bit5	Bit4	Bit3	Bit2	Bit1	Bit0	

## Section 21 List of Registers

Register Abbrev.	Bit 7	Bit 6	Bit 5	Bit 4	Bit 3	Bit 2	Bit 1	Bit 0	Module
TGRDH_0	Bit15	Bit14	Bit13	Bit12	Bit11	Bit10	Bit9	Bit8	TPU_0
TGRDL_0	Bit7	Bit6	Bit5	Bit4	Bit3	Bit2	Bit1	Bit0	
TCR_1	—	CCLR1	CCLR0	CKEG1	CKEG0	TPSC2	TPSC1	TPSC0	TPU_1
TMDR_1	—	—	—	—	MD3	MD2	MD1	MD0	
TIOR_1	IOB3	IOB2	IOB1	IOB0	IOA3	IOA2	IOA1	IOA0	
TIER_1	TTGE	—	TCIEU	TCIEV	—	—	TGIEB	TGIEA	
TSR_1	TCFD	—	TCFU	TCFV	—	—	TGFB	TGFA	
TCNTH_1	Bit15	Bit14	Bit13	Bit12	Bit11	Bit10	Bit9	Bit8	
TCNTL_1	Bit7	Bit6	Bit5	Bit4	Bit3	Bit2	Bit1	Bit0	
TGRAH_1	Bit15	Bit14	Bit13	Bit12	Bit11	Bit10	Bit9	Bit8	
TGRAL_1	Bit7	Bit6	Bit5	Bit4	Bit3	Bit2	Bit1	Bit0	
TGRBH_1	Bit15	Bit14	Bit13	Bit12	Bit11	Bit10	Bit9	Bit8	
TGRBL_1	Bit7	Bit6	Bit5	Bit4	Bit3	Bit2	Bit1	Bit0	
TCR_2	—	CCLR1	CCLR0	CKEG1	CKEG0	TPSC2	TPSC1	TPSC0	TPU_2
TMDR_2	—	—	—	—	MD3	MD2	MD1	MD0	
TIOR_2	IOB3	IOB2	IOB1	IOB0	IOA3	IOA2	IOA1	IOA0	
TIER_2	TTGE	—	TCIEU	TCIEV	—	—	TGIEB	TGIEA	
TSR_2	TCFD	—	TCFU	TCFV	—	—	TGFB	TGFA	
TCNTH_2	Bit15	Bit14	Bit13	Bit12	Bit11	Bit10	Bit9	Bit8	
TCNTL_2	Bit7	Bit6	Bit5	Bit4	Bit3	Bit2	Bit1	Bit0	
TGRAH_2	Bit15	Bit14	Bit13	Bit12	Bit11	Bit10	Bit9	Bit8	
TGRAL_2	Bit7	Bit6	Bit5	Bit4	Bit3	Bit2	Bit1	Bit0	
TGRBH_2	Bit15	Bit14	Bit13	Bit12	Bit11	Bit10	Bit9	Bit8	
TGRBL_2	Bit7	Bit6	Bit5	Bit4	Bit3	Bit2	Bit1	Bit0	
TCSR_0	OVF	WT/ $\overline{IT}$	TME	—	—	CKS2	CKS1	CKS0	WDT_0
TCNT_0	Bit7	Bit6	Bit5	Bit4	Bit3	Bit2	Bit1	Bit0	
RSTCSR	WOVF	RSTE	RSTS	—	—	—	—	—	
SMR_0*1	C/ $\overline{A}$ (GM)	CHR (BLK)	PE (PE)	O/ $\overline{E}$ (O/ $\overline{E}$ )	STOP (BCP1)	MP (BCP0)	CKS1 (CKS1)	CKS0 (CKS0)	SCI_0
BRR_0	Bit7	Bit6	Bit5	Bit4	Bit3	Bit2	Bit1	Bit0	
SCR_0	TIE	RIE	TE	RE	MPIE	TEIE	CKE1	CKE0	
TDR_0	Bit7	Bit6	Bit5	Bit4	Bit3	Bit2	Bit1	Bit0	

Register Abbrev.	Bit 7	Bit 6	Bit 5	Bit 4	Bit 3	Bit 2	Bit 1	Bit 0	Module
SSR_0*1	TDRE (TDRE)	RDRF (RDRF)	ORER (ORER)	FER (ERS)	PER (PER)	TEND (TEND)	MPB (MPB)	MPBT (MPBT)	SCI_0
RDR_0	Bit7	Bit6	Bit5	Bit4	Bit3	Bit2	Bit1	Bit0	
SCMR_0	—	—	—	—	SDIR	SINV	—	SMIF	
SMR_1*1	C/ $\bar{A}$ (GM)	CHR (BLK)	PE (PE)	O/ $\bar{E}$ (O/ $\bar{E}$ )	STOP (BCP1)	MP (BCP0)	CKS1 (CKS1)	CKS0 (CKS0)	SCI_1
BRR_1	Bit7	Bit6	Bit5	Bit4	Bit3	Bit2	Bit1	Bit0	
SCR_1	TIE	RIE	TE	RE	MPIE	TEIE	CKE1	CKE0	
TDR_1	Bit7	Bit6	Bit5	Bit4	Bit3	Bit2	Bit1	Bit0	
SSR_1*1	TDRE (TDRE)	RDRF (RDRF)	ORER (ORER)	FER (ERS)	PER (PER)	TEND (TEND)	MPB (MPB)	MPBT (MPBT)	
RDR_1	Bit7	Bit6	Bit5	Bit4	Bit3	Bit2	Bit1	Bit0	
SCMR_1	—	—	—	—	SDIR	SINV	—	SMIF	
ADDRAH	AD9	AD8	AD7	AD6	AD5	AD4	AD3	AD2	A/D
ADDRAL	AD1	AD0	—	—	—	—	—	—	
ADDRBH	AD9	AD8	AD7	AD6	AD5	AD4	AD3	AD2	
ADDRBL	AD1	AD0	—	—	—	—	—	—	
ADDRCH	AD9	AD8	AD7	AD6	AD5	AD4	AD3	AD2	
ADDRCL	AD1	AD0	—	—	—	—	—	—	
ADDRDH	AD9	AD8	AD7	AD6	AD5	AD4	AD3	AD2	
ADDRDL	AD1	AD0	—	—	—	—	—	—	
ADCSR	ADF	ADIE	ADST	SCAN	—	CH2	CH1	CH0	
ADCR	TRGS1	TRGS0	—	—	CKS1	CKS0	—	—	
TCSR_1	OVF	WT/ $\bar{IT}$	TME	PSS	RST/ $\bar{NMI}$	CKS2	CKS1	CKS0	WDT_1
TCNT_1	Bit7	Bit6	Bit5	Bit4	Bit3	Bit2	Bit1	Bit0	
FLMCR1	FWE	SWE	ESU	PSU	EV	PV	E	P	FLASH
FLMCR2	FLER	—	—	—	—	—	—	—	(F-ZTAT version)
EBR1	EB7	EB6	EB5	EB4	EB3	EB2	EB1	EB0	
EBR2*2	—	—	—	—	—	—	EB9	EB8	
FLPWCR	PDWND	—	—	—	—	—	—	—	

Register									
Abbrev.	Bit 7	Bit 6	Bit 5	Bit 4	Bit 3	Bit 2	Bit 1	Bit 0	Module
PORT1	P17	P16	P15	P14	P13	P12	P11	P10	PORT
PORT3	—	—	P35	P34	P33	P32	P31	P30	
PORT4	P47	P46	P45	P44	P43	P42	P41	P40	
PORTA	PA7	PA6	PA5	PA4	PA3	PA2	PA1	PA0	
PORTB	PB7	PB6	PB5	PB4	PB3	PB2	PB1	PB0	
PORTC	PC7	PC6	PC5	PC4	PC3	PC2	PC1	PC0	
PORTD	PD7	PD6	PD5	PD4	—	—	—	—	
PORTF	PF7	PF6	PF5	PF4	PF3	PF2	PF1 <sup>*3</sup>	PF0 <sup>*3</sup>	

---

- Notes:
1. Some bit functions differ in normal serial communication interface mode and Smart Card interface mode. The bit functions in Smart Card interface mode are enclosed in parentheses.
  2. In the H8S/2280 Group this register is reserved.
  3. In the H8S/2282 Group this register is reserved.

## 21.3 Register States in Each Operating Mode

Register Abbrev.	Reset	High-Speed	Medium-Speed	Sleep	Module Stop	Watch	Subactive	Subsleep	Software Standby	Hardware Standby	Module
MCR	Initialized	—	—	—	Initialized	Initialized	Initialized	Initialized	Initialized	Initialized	HCAN*
GSR	Initialized	—	—	—	Initialized	Initialized	Initialized	Initialized	Initialized	Initialized	
BCR	Initialized	—	—	—	Initialized	Initialized	Initialized	Initialized	Initialized	Initialized	
MBCR	Initialized	—	—	—	Initialized	Initialized	Initialized	Initialized	Initialized	Initialized	
TXPR	Initialized	—	—	—	Initialized	Initialized	Initialized	Initialized	Initialized	Initialized	
TXCR	Initialized	—	—	—	Initialized	Initialized	Initialized	Initialized	Initialized	Initialized	
TXACK	Initialized	—	—	—	Initialized	Initialized	Initialized	Initialized	Initialized	Initialized	
ABACK	Initialized	—	—	—	Initialized	Initialized	Initialized	Initialized	Initialized	Initialized	
RXPR	Initialized	—	—	—	Initialized	Initialized	Initialized	Initialized	Initialized	Initialized	
RFPR	Initialized	—	—	—	Initialized	Initialized	Initialized	Initialized	Initialized	Initialized	
IRR	Initialized	—	—	—	Initialized	Initialized	Initialized	Initialized	Initialized	Initialized	
MBIMR	Initialized	—	—	—	Initialized	Initialized	Initialized	Initialized	Initialized	Initialized	
IMR	Initialized	—	—	—	Initialized	Initialized	Initialized	Initialized	Initialized	Initialized	
REC	Initialized	—	—	—	Initialized	Initialized	Initialized	Initialized	Initialized	Initialized	
TEC	Initialized	—	—	—	Initialized	Initialized	Initialized	Initialized	Initialized	Initialized	
UMSR	Initialized	—	—	—	Initialized	Initialized	Initialized	Initialized	Initialized	Initialized	
LAFML	Initialized	—	—	—	Initialized	Initialized	Initialized	Initialized	Initialized	Initialized	
LAFMH	Initialized	—	—	—	Initialized	Initialized	Initialized	Initialized	Initialized	Initialized	
MC0[1]	—	—	—	—	—	—	—	—	—	—	
MC0[2]	—	—	—	—	—	—	—	—	—	—	
MC0[3]	—	—	—	—	—	—	—	—	—	—	
MC0[4]	—	—	—	—	—	—	—	—	—	—	
MC0[5]	—	—	—	—	—	—	—	—	—	—	
MC0[6]	—	—	—	—	—	—	—	—	—	—	
MC0[7]	—	—	—	—	—	—	—	—	—	—	
MC0[8]	—	—	—	—	—	—	—	—	—	—	
MC1[1]	—	—	—	—	—	—	—	—	—	—	
MC1[2]	—	—	—	—	—	—	—	—	—	—	
MC1[3]	—	—	—	—	—	—	—	—	—	—	
MC1[4]	—	—	—	—	—	—	—	—	—	—	
MC1[5]	—	—	—	—	—	—	—	—	—	—	
MC1[6]	—	—	—	—	—	—	—	—	—	—	

## Section 21 List of Registers

Register Abbrev.	Reset	High-Speed	Medium-Speed	Sleep	Module Stop	Watch	Subactive	Subsleep	Software Standby	Hardware Standby	Module
MC1[7]	—	—	—	—	—	—	—	—	—	—	HCAN*
MC1[8]	—	—	—	—	—	—	—	—	—	—	
MC2[1]	—	—	—	—	—	—	—	—	—	—	
MC2[2]	—	—	—	—	—	—	—	—	—	—	
MC2[3]	—	—	—	—	—	—	—	—	—	—	
MC2[4]	—	—	—	—	—	—	—	—	—	—	
MC2[5]	—	—	—	—	—	—	—	—	—	—	
MC2[6]	—	—	—	—	—	—	—	—	—	—	
MC2[7]	—	—	—	—	—	—	—	—	—	—	
MC2[8]	—	—	—	—	—	—	—	—	—	—	
MC3[1]	—	—	—	—	—	—	—	—	—	—	
MC3[2]	—	—	—	—	—	—	—	—	—	—	
MC3[3]	—	—	—	—	—	—	—	—	—	—	
MC3[4]	—	—	—	—	—	—	—	—	—	—	
MC3[5]	—	—	—	—	—	—	—	—	—	—	
MC3[6]	—	—	—	—	—	—	—	—	—	—	
MC3[7]	—	—	—	—	—	—	—	—	—	—	
MC3[8]	—	—	—	—	—	—	—	—	—	—	
MC4[1]	—	—	—	—	—	—	—	—	—	—	
MC4[2]	—	—	—	—	—	—	—	—	—	—	
MC4[3]	—	—	—	—	—	—	—	—	—	—	
MC4[4]	—	—	—	—	—	—	—	—	—	—	
MC4[5]	—	—	—	—	—	—	—	—	—	—	
MC4[6]	—	—	—	—	—	—	—	—	—	—	
MC4[7]	—	—	—	—	—	—	—	—	—	—	
MC4[8]	—	—	—	—	—	—	—	—	—	—	
MC5[1]	—	—	—	—	—	—	—	—	—	—	
MC5[2]	—	—	—	—	—	—	—	—	—	—	
MC5[3]	—	—	—	—	—	—	—	—	—	—	
MC5[4]	—	—	—	—	—	—	—	—	—	—	
MC5[5]	—	—	—	—	—	—	—	—	—	—	
MC5[6]	—	—	—	—	—	—	—	—	—	—	
MC5[7]	—	—	—	—	—	—	—	—	—	—	
MC5[8]	—	—	—	—	—	—	—	—	—	—	



Register Abbrev.	Reset	High-Speed	Medium-Speed	Sleep	Module Stop	Watch	Subactive	Subsleep	Software Standby	Hardware Standby	Module
MC6[1]	—	—	—	—	—	—	—	—	—	—	HCAN*
MC6[2]	—	—	—	—	—	—	—	—	—	—	
MC6[3]	—	—	—	—	—	—	—	—	—	—	
MC6[4]	—	—	—	—	—	—	—	—	—	—	
MC6[5]	—	—	—	—	—	—	—	—	—	—	
MC6[6]	—	—	—	—	—	—	—	—	—	—	
MC6[7]	—	—	—	—	—	—	—	—	—	—	
MC6[8]	—	—	—	—	—	—	—	—	—	—	
MC7[1]	—	—	—	—	—	—	—	—	—	—	
MC7[2]	—	—	—	—	—	—	—	—	—	—	
MC7[3]	—	—	—	—	—	—	—	—	—	—	
MC7[4]	—	—	—	—	—	—	—	—	—	—	
MC7[5]	—	—	—	—	—	—	—	—	—	—	
MC7[6]	—	—	—	—	—	—	—	—	—	—	
MC7[7]	—	—	—	—	—	—	—	—	—	—	
MC7[8]	—	—	—	—	—	—	—	—	—	—	
MC8[1]	—	—	—	—	—	—	—	—	—	—	
MC8[2]	—	—	—	—	—	—	—	—	—	—	
MC8[3]	—	—	—	—	—	—	—	—	—	—	
MC8[4]	—	—	—	—	—	—	—	—	—	—	
MC8[5]	—	—	—	—	—	—	—	—	—	—	
MC8[6]	—	—	—	—	—	—	—	—	—	—	
MC8[7]	—	—	—	—	—	—	—	—	—	—	
MC8[8]	—	—	—	—	—	—	—	—	—	—	
MC9[1]	—	—	—	—	—	—	—	—	—	—	
MC9[2]	—	—	—	—	—	—	—	—	—	—	
MC9[3]	—	—	—	—	—	—	—	—	—	—	
MC9[4]	—	—	—	—	—	—	—	—	—	—	
MC9[5]	—	—	—	—	—	—	—	—	—	—	
MC9[6]	—	—	—	—	—	—	—	—	—	—	
MC9[7]	—	—	—	—	—	—	—	—	—	—	
MC9[8]	—	—	—	—	—	—	—	—	—	—	
MC10[1]	—	—	—	—	—	—	—	—	—	—	

## Section 21 List of Registers

Register Abbrev.	Reset	High-Speed	Medium-Speed	Sleep	Module Stop	Watch	Subactive	Subsleep	Software Standby	Hardware Standby	Module
MC10[2]	—	—	—	—	—	—	—	—	—	—	HCAN*
MC10[3]	—	—	—	—	—	—	—	—	—	—	
MC10[4]	—	—	—	—	—	—	—	—	—	—	
MC10[5]	—	—	—	—	—	—	—	—	—	—	
MC10[6]	—	—	—	—	—	—	—	—	—	—	
MC10[7]	—	—	—	—	—	—	—	—	—	—	
MC10[8]	—	—	—	—	—	—	—	—	—	—	
MC11[1]	—	—	—	—	—	—	—	—	—	—	
MC11[2]	—	—	—	—	—	—	—	—	—	—	
MC11[3]	—	—	—	—	—	—	—	—	—	—	
MC11[4]	—	—	—	—	—	—	—	—	—	—	
MC11[5]	—	—	—	—	—	—	—	—	—	—	
MC11[6]	—	—	—	—	—	—	—	—	—	—	
MC11[7]	—	—	—	—	—	—	—	—	—	—	
MC11[8]	—	—	—	—	—	—	—	—	—	—	
MC12[1]	—	—	—	—	—	—	—	—	—	—	
MC12[2]	—	—	—	—	—	—	—	—	—	—	
MC12[3]	—	—	—	—	—	—	—	—	—	—	
MC12[4]	—	—	—	—	—	—	—	—	—	—	
MC12[5]	—	—	—	—	—	—	—	—	—	—	
MC12[6]	—	—	—	—	—	—	—	—	—	—	
MC12[7]	—	—	—	—	—	—	—	—	—	—	
MC12[8]	—	—	—	—	—	—	—	—	—	—	
MC13[1]	—	—	—	—	—	—	—	—	—	—	
MC13[2]	—	—	—	—	—	—	—	—	—	—	
MC13[3]	—	—	—	—	—	—	—	—	—	—	
MC13[4]	—	—	—	—	—	—	—	—	—	—	
MC13[5]	—	—	—	—	—	—	—	—	—	—	
MC13[6]	—	—	—	—	—	—	—	—	—	—	
MC13[7]	—	—	—	—	—	—	—	—	—	—	
MC13[8]	—	—	—	—	—	—	—	—	—	—	
MC14[1]	—	—	—	—	—	—	—	—	—	—	
MC14[2]	—	—	—	—	—	—	—	—	—	—	

Register Abbrev.	Reset	High-Speed	Medium-Speed	Sleep	Module Stop	Watch	Subactive	Subsleep	Software Standby	Hardware Standby	Module
MC14[3]	—	—	—	—	—	—	—	—	—	—	HCAN*
MC14[4]	—	—	—	—	—	—	—	—	—	—	
MC14[5]	—	—	—	—	—	—	—	—	—	—	
MC14[6]	—	—	—	—	—	—	—	—	—	—	
MC14[7]	—	—	—	—	—	—	—	—	—	—	
MC14[8]	—	—	—	—	—	—	—	—	—	—	
MC15[1]	—	—	—	—	—	—	—	—	—	—	
MC15[2]	—	—	—	—	—	—	—	—	—	—	
MC15[3]	—	—	—	—	—	—	—	—	—	—	
MC15[4]	—	—	—	—	—	—	—	—	—	—	
MC15[5]	—	—	—	—	—	—	—	—	—	—	
MC15[6]	—	—	—	—	—	—	—	—	—	—	
MC15[7]	—	—	—	—	—	—	—	—	—	—	
MC15[8]	—	—	—	—	—	—	—	—	—	—	
MD0[1]	—	—	—	—	—	—	—	—	—	—	
MD0[2]	—	—	—	—	—	—	—	—	—	—	
MD0[3]	—	—	—	—	—	—	—	—	—	—	
MD0[4]	—	—	—	—	—	—	—	—	—	—	
MD0[5]	—	—	—	—	—	—	—	—	—	—	
MD0[6]	—	—	—	—	—	—	—	—	—	—	
MD0[7]	—	—	—	—	—	—	—	—	—	—	
MD0[8]	—	—	—	—	—	—	—	—	—	—	
MD1[1]	—	—	—	—	—	—	—	—	—	—	
MD1[2]	—	—	—	—	—	—	—	—	—	—	
MD1[3]	—	—	—	—	—	—	—	—	—	—	
MD1[4]	—	—	—	—	—	—	—	—	—	—	
MD1[5]	—	—	—	—	—	—	—	—	—	—	
MD1[6]	—	—	—	—	—	—	—	—	—	—	
MD1[7]	—	—	—	—	—	—	—	—	—	—	
MD1[8]	—	—	—	—	—	—	—	—	—	—	
MD2[1]	—	—	—	—	—	—	—	—	—	—	
MD2[2]	—	—	—	—	—	—	—	—	—	—	
MD2[3]	—	—	—	—	—	—	—	—	—	—	

## Section 21 List of Registers

Register Abbrev.	Reset	High-Speed	Medium-Speed	Sleep	Module Stop	Watch	Subactive	Subsleep	Software Standby	Hardware Standby	Module
MD2[4]	—	—	—	—	—	—	—	—	—	—	HCAN*
MD2[5]	—	—	—	—	—	—	—	—	—	—	
MD2[6]	—	—	—	—	—	—	—	—	—	—	
MD2[7]	—	—	—	—	—	—	—	—	—	—	
MD2[8]	—	—	—	—	—	—	—	—	—	—	
MD3[1]	—	—	—	—	—	—	—	—	—	—	
MD3[2]	—	—	—	—	—	—	—	—	—	—	
MD3[3]	—	—	—	—	—	—	—	—	—	—	
MD3[4]	—	—	—	—	—	—	—	—	—	—	
MD3[5]	—	—	—	—	—	—	—	—	—	—	
MD3[6]	—	—	—	—	—	—	—	—	—	—	
MD3[7]	—	—	—	—	—	—	—	—	—	—	
MD3[8]	—	—	—	—	—	—	—	—	—	—	
MD4[1]	—	—	—	—	—	—	—	—	—	—	
MD4[2]	—	—	—	—	—	—	—	—	—	—	
MD4[3]	—	—	—	—	—	—	—	—	—	—	
MD4[4]	—	—	—	—	—	—	—	—	—	—	
MD4[5]	—	—	—	—	—	—	—	—	—	—	
MD4[6]	—	—	—	—	—	—	—	—	—	—	
MD4[7]	—	—	—	—	—	—	—	—	—	—	
MD4[8]	—	—	—	—	—	—	—	—	—	—	
MD5[1]	—	—	—	—	—	—	—	—	—	—	
MD5[2]	—	—	—	—	—	—	—	—	—	—	
MD5[3]	—	—	—	—	—	—	—	—	—	—	
MD5[4]	—	—	—	—	—	—	—	—	—	—	
MD5[5]	—	—	—	—	—	—	—	—	—	—	
MD5[6]	—	—	—	—	—	—	—	—	—	—	
MD5[7]	—	—	—	—	—	—	—	—	—	—	
MD5[8]	—	—	—	—	—	—	—	—	—	—	
MD6[1]	—	—	—	—	—	—	—	—	—	—	
MD6[2]	—	—	—	—	—	—	—	—	—	—	
MD6[3]	—	—	—	—	—	—	—	—	—	—	
MD6[4]	—	—	—	—	—	—	—	—	—	—	

Register Abbrev.	Reset	High- Speed	Medium- Speed	Sleep	Module Stop	Watch	Subactive	Subsleep	Software Standby	Hardware Standby	Module
MD6[5]	—	—	—	—	—	—	—	—	—	—	HCAN*
MD6[6]	—	—	—	—	—	—	—	—	—	—	
MD6[7]	—	—	—	—	—	—	—	—	—	—	
MD6[8]	—	—	—	—	—	—	—	—	—	—	
MD7[1]	—	—	—	—	—	—	—	—	—	—	
MD7[2]	—	—	—	—	—	—	—	—	—	—	
MD7[3]	—	—	—	—	—	—	—	—	—	—	
MD7[4]	—	—	—	—	—	—	—	—	—	—	
MD7[5]	—	—	—	—	—	—	—	—	—	—	
MD7[6]	—	—	—	—	—	—	—	—	—	—	
MD7[7]	—	—	—	—	—	—	—	—	—	—	
MD7[8]	—	—	—	—	—	—	—	—	—	—	
MD8[1]	—	—	—	—	—	—	—	—	—	—	
MD8[2]	—	—	—	—	—	—	—	—	—	—	
MD8[3]	—	—	—	—	—	—	—	—	—	—	
MD8[4]	—	—	—	—	—	—	—	—	—	—	
MD8[5]	—	—	—	—	—	—	—	—	—	—	
MD8[6]	—	—	—	—	—	—	—	—	—	—	
MD8[7]	—	—	—	—	—	—	—	—	—	—	
MD8[8]	—	—	—	—	—	—	—	—	—	—	
MD9[1]	—	—	—	—	—	—	—	—	—	—	
MD9[2]	—	—	—	—	—	—	—	—	—	—	
MD9[3]	—	—	—	—	—	—	—	—	—	—	
MD9[4]	—	—	—	—	—	—	—	—	—	—	
MD9[5]	—	—	—	—	—	—	—	—	—	—	
MD9[6]	—	—	—	—	—	—	—	—	—	—	
MD9[7]	—	—	—	—	—	—	—	—	—	—	
MD9[8]	—	—	—	—	—	—	—	—	—	—	
MD10[1]	—	—	—	—	—	—	—	—	—	—	
MD10[2]	—	—	—	—	—	—	—	—	—	—	
MD10[3]	—	—	—	—	—	—	—	—	—	—	
MD10[4]	—	—	—	—	—	—	—	—	—	—	
MD10[5]	—	—	—	—	—	—	—	—	—	—	

## Section 21 List of Registers

Register Abbrev.	Reset	High-Speed	Medium-Speed	Sleep	Module Stop	Watch	Subactive	Subsleep	Software Standby	Hardware Standby	Module
MD10[6]	—	—	—	—	—	—	—	—	—	—	HCAN*
MD10[7]	—	—	—	—	—	—	—	—	—	—	
MD10[8]	—	—	—	—	—	—	—	—	—	—	
MD11[1]	—	—	—	—	—	—	—	—	—	—	
MD11[2]	—	—	—	—	—	—	—	—	—	—	
MD11[3]	—	—	—	—	—	—	—	—	—	—	
MD11[4]	—	—	—	—	—	—	—	—	—	—	
MD11[5]	—	—	—	—	—	—	—	—	—	—	
MD11[6]	—	—	—	—	—	—	—	—	—	—	
MD11[7]	—	—	—	—	—	—	—	—	—	—	
MD11[8]	—	—	—	—	—	—	—	—	—	—	
MD12[1]	—	—	—	—	—	—	—	—	—	—	
MD12[2]	—	—	—	—	—	—	—	—	—	—	
MD12[3]	—	—	—	—	—	—	—	—	—	—	
MD12[4]	—	—	—	—	—	—	—	—	—	—	
MD12[5]	—	—	—	—	—	—	—	—	—	—	
MD12[6]	—	—	—	—	—	—	—	—	—	—	
MD12[7]	—	—	—	—	—	—	—	—	—	—	
MD12[8]	—	—	—	—	—	—	—	—	—	—	
MD13[1]	—	—	—	—	—	—	—	—	—	—	
MD13[2]	—	—	—	—	—	—	—	—	—	—	
MD13[3]	—	—	—	—	—	—	—	—	—	—	
MD13[4]	—	—	—	—	—	—	—	—	—	—	
MD13[5]	—	—	—	—	—	—	—	—	—	—	
MD13[6]	—	—	—	—	—	—	—	—	—	—	
MD13[7]	—	—	—	—	—	—	—	—	—	—	
MD13[8]	—	—	—	—	—	—	—	—	—	—	
MD14[1]	—	—	—	—	—	—	—	—	—	—	
MD14[2]	—	—	—	—	—	—	—	—	—	—	
MD14[3]	—	—	—	—	—	—	—	—	—	—	
MD14[4]	—	—	—	—	—	—	—	—	—	—	
MD14[5]	—	—	—	—	—	—	—	—	—	—	
MD14[6]	—	—	—	—	—	—	—	—	—	—	

Register Abbrev.	Reset	High-Speed	Medium-Speed	Sleep	Module Stop	Watch	Subactive	Subsleep	Software Standby	Hardware Standby	Module
MD14[7]	—	—	—	—	—	—	—	—	—	—	HCAN*
MD14[8]	—	—	—	—	—	—	—	—	—	—	
MD15[1]	—	—	—	—	—	—	—	—	—	—	
MD15[2]	—	—	—	—	—	—	—	—	—	—	
MD15[3]	—	—	—	—	—	—	—	—	—	—	
MD15[4]	—	—	—	—	—	—	—	—	—	—	
MD15[5]	—	—	—	—	—	—	—	—	—	—	
MD15[6]	—	—	—	—	—	—	—	—	—	—	
MD15[7]	—	—	—	—	—	—	—	—	—	—	
MD15[8]	—	—	—	—	—	—	—	—	—	—	
PWCR_1	Initialized	—	—	—	Initialized	Initialized	Initialized	Initialized	Initialized	Initialized	PWM_1
PWOCR_1	Initialized	—	—	—	Initialized	Initialized	Initialized	Initialized	Initialized	Initialized	
PWPR_1	Initialized	—	—	—	Initialized	Initialized	Initialized	Initialized	Initialized	Initialized	
PWCYR_1	Initialized	—	—	—	Initialized	Initialized	Initialized	Initialized	Initialized	Initialized	
PWBFR_1A	Initialized	—	—	—	Initialized	Initialized	Initialized	Initialized	Initialized	Initialized	
PWBFR_1C	Initialized	—	—	—	Initialized	Initialized	Initialized	Initialized	Initialized	Initialized	
PWBFR_1E	Initialized	—	—	—	Initialized	Initialized	Initialized	Initialized	Initialized	Initialized	
PWBFR_1G	Initialized	—	—	—	Initialized	Initialized	Initialized	Initialized	Initialized	Initialized	
PWCR_2	Initialized	—	—	—	Initialized	Initialized	Initialized	Initialized	Initialized	Initialized	PWM_2
PWOCR_2	Initialized	—	—	—	Initialized	Initialized	Initialized	Initialized	Initialized	Initialized	
PWPR_2	Initialized	—	—	—	Initialized	Initialized	Initialized	Initialized	Initialized	Initialized	
PWCYR_2	Initialized	—	—	—	Initialized	Initialized	Initialized	Initialized	Initialized	Initialized	
PWBFR_2A	Initialized	—	—	—	Initialized	Initialized	Initialized	Initialized	Initialized	Initialized	
PWBFR_2B	Initialized	—	—	—	Initialized	Initialized	Initialized	Initialized	Initialized	Initialized	
PWBFR_2C	Initialized	—	—	—	Initialized	Initialized	Initialized	Initialized	Initialized	Initialized	
PWBFR_2D	Initialized	—	—	—	Initialized	Initialized	Initialized	Initialized	Initialized	Initialized	
PHDDR	Initialized	—	—	—	—	—	—	—	—	Initialized	PORT
PJDDR	Initialized	—	—	—	—	—	—	—	—	Initialized	
PHDR	Initialized	—	—	—	—	—	—	—	—	Initialized	
PJDR	Initialized	—	—	—	—	—	—	—	—	Initialized	
PORTH	Initialized	—	—	—	—	—	—	—	—	Initialized	
PORTJ	Initialized	—	—	—	—	—	—	—	—	Initialized	
TRPRT	Initialized	—	—	—	—	—	—	—	—	Initialized	

## Section 21 List of Registers

Register Abbrev.	Reset	High-Speed	Medium-Speed	Sleep	Module Stop	Watch	Subactive	Subsleep	Software Standby	Hardware Standby	Module
LPCR	Initialized	—	—	—	—	—	—	—	—	Initialized	LCD
LCR	Initialized	—	—	—	—	—	—	—	—	Initialized	
LCR2	Initialized	—	—	—	—	—	—	—	—	Initialized	
MSTPCRD	Initialized	—	—	—	—	—	—	—	—	Initialized	SYSTEM
SBYCR	Initialized	—	—	—	—	—	—	—	—	Initialized	
SYSCR	Initialized	—	—	—	—	—	—	—	—	Initialized	
SCKCR	Initialized	—	—	—	—	—	—	—	—	Initialized	
MDCR	Initialized	—	—	—	—	—	—	—	—	Initialized	
MSTPCRA	Initialized	—	—	—	—	—	—	—	—	Initialized	
MSTPCRB	Initialized	—	—	—	—	—	—	—	—	Initialized	
MSTPCRC	Initialized	—	—	—	—	—	—	—	—	Initialized	
LPWRCR	Initialized	—	—	—	—	—	—	—	—	Initialized	
ISCRH	Initialized	—	—	—	—	—	—	—	—	Initialized	INT
ISCLR	Initialized	—	—	—	—	—	—	—	—	Initialized	
IER	Initialized	—	—	—	—	—	—	—	—	Initialized	
ISR	Initialized	—	—	—	—	—	—	—	—	Initialized	
P1DDR	Initialized	—	—	—	—	—	—	—	—	Initialized	PORT
P3DDR	Initialized	—	—	—	—	—	—	—	—	Initialized	
PADDR	Initialized	—	—	—	—	—	—	—	—	Initialized	
PBDDR	Initialized	—	—	—	—	—	—	—	—	Initialized	
PCDDR	Initialized	—	—	—	—	—	—	—	—	Initialized	
PDDDR	Initialized	—	—	—	—	—	—	—	—	Initialized	
PFDDR	Initialized	—	—	—	—	—	—	—	—	Initialized	
P3ODR	Initialized	—	—	—	—	—	—	—	—	Initialized	
PAODR	Initialized	—	—	—	—	—	—	—	—	Initialized	
PBODR	Initialized	—	—	—	—	—	—	—	—	Initialized	
PCODR	Initialized	—	—	—	—	—	—	—	—	Initialized	
TSTR	Initialized	—	—	—	—	—	—	—	—	Initialized	TPU
TSYR	Initialized	—	—	—	—	—	—	—	—	Initialized	
IPRA	Initialized	—	—	—	—	—	—	—	—	Initialized	INT
IPRB	Initialized	—	—	—	—	—	—	—	—	Initialized	
IPRC	Initialized	—	—	—	—	—	—	—	—	Initialized	
IPRD	Initialized	—	—	—	—	—	—	—	—	Initialized	



Register Abbrev.	Reset	High-Speed	Medium-Speed	Sleep	Module Stop	Watch	Subactive	Subsleep	Software Standby	Hardware Standby	Module
IPRE	Initialized	—	—	—	—	—	—	—	—	Initialized	INT
IPRF	Initialized	—	—	—	—	—	—	—	—	Initialized	
IPRG	Initialized	—	—	—	—	—	—	—	—	Initialized	
IPRJ	Initialized	—	—	—	—	—	—	—	—	Initialized	
IPRK	Initialized	—	—	—	—	—	—	—	—	Initialized	
IPRM	Initialized	—	—	—	—	—	—	—	—	Initialized	
RAMER*	Initialized	—	—	—	—	—	—	—	—	Initialized	FLASH (F-ZTAT version)
P1DR	Initialized	—	—	—	—	—	—	—	—	Initialized	PORT
P3DR	Initialized	—	—	—	—	—	—	—	—	Initialized	
PADR	Initialized	—	—	—	—	—	—	—	—	Initialized	
PBDR	Initialized	—	—	—	—	—	—	—	—	Initialized	
PCDR	Initialized	—	—	—	—	—	—	—	—	Initialized	
PDDR	Initialized	—	—	—	—	—	—	—	—	Initialized	
PFDR	Initialized	—	—	—	—	—	—	—	—	Initialized	
TCR_0	Initialized	—	—	—	—	—	—	—	—	Initialized	TPU_0
TMDR_0	Initialized	—	—	—	—	—	—	—	—	Initialized	
TIORH_0	Initialized	—	—	—	—	—	—	—	—	Initialized	
TIORL_0	Initialized	—	—	—	—	—	—	—	—	Initialized	
TIER_0	Initialized	—	—	—	—	—	—	—	—	Initialized	
TSR_0	Initialized	—	—	—	—	—	—	—	—	Initialized	
TCNTH_0	Initialized	—	—	—	—	—	—	—	—	Initialized	
TCNTL_0	Initialized	—	—	—	—	—	—	—	—	Initialized	
TGRAH_0	Initialized	—	—	—	—	—	—	—	—	Initialized	
TGRAL_0	Initialized	—	—	—	—	—	—	—	—	Initialized	
TGRBH_0	Initialized	—	—	—	—	—	—	—	—	Initialized	
TGRBL_0	Initialized	—	—	—	—	—	—	—	—	Initialized	
TGRCH_0	Initialized	—	—	—	—	—	—	—	—	Initialized	
TGRCL_0	Initialized	—	—	—	—	—	—	—	—	Initialized	
TGRDH_0	Initialized	—	—	—	—	—	—	—	—	Initialized	
TGRDL_0	Initialized	—	—	—	—	—	—	—	—	Initialized	

## Section 21 List of Registers

Register Abbrev.	Reset	High-Speed	Medium-Speed	Sleep	Module Stop	Watch	Subactive	Subsleep	Software Standby	Hardware Standby	Module
TCR_1	Initialized	—	—	—	—	—	—	—	—	Initialized	TPU_1
TMDR_1	Initialized	—	—	—	—	—	—	—	—	Initialized	
TIOR_1	Initialized	—	—	—	—	—	—	—	—	Initialized	
TIER_1	Initialized	—	—	—	—	—	—	—	—	Initialized	
TSR_1	Initialized	—	—	—	—	—	—	—	—	Initialized	
TCNTH_1	Initialized	—	—	—	—	—	—	—	—	Initialized	
TCNTL_1	Initialized	—	—	—	—	—	—	—	—	Initialized	
TGRAH_1	Initialized	—	—	—	—	—	—	—	—	Initialized	
TGRAL_1	Initialized	—	—	—	—	—	—	—	—	Initialized	
TIOR_2	Initialized	—	—	—	—	—	—	—	—	Initialized	
TIER_2	Initialized	—	—	—	—	—	—	—	—	Initialized	
TSR_2	Initialized	—	—	—	—	—	—	—	—	Initialized	
TCNTH_2	Initialized	—	—	—	—	—	—	—	—	Initialized	
TCNTL_2	Initialized	—	—	—	—	—	—	—	—	Initialized	
TGRAH_2	Initialized	—	—	—	—	—	—	—	—	Initialized	
TGRAL_2	Initialized	—	—	—	—	—	—	—	—	Initialized	
TGRBH_2	Initialized	—	—	—	—	—	—	—	—	Initialized	
TGRBL_2	Initialized	—	—	—	—	—	—	—	—	Initialized	
TCSR_0	Initialized	—	—	—	—	—	—	—	—	Initialized	WDT_0
TCNT_0	Initialized	—	—	—	—	—	—	—	—	Initialized	
RSTCSR	Initialized	—	—	—	—	—	—	—	—	Initialized	
SMR_0	Initialized	—	—	—	Initialized	Initialized	Initialized	Initialized	Initialized	Initialized	SCI_0
BRR_0	Initialized	—	—	—	Initialized	Initialized	Initialized	Initialized	Initialized	Initialized	
SCR_0	Initialized	—	—	—	Initialized	Initialized	Initialized	Initialized	Initialized	Initialized	
TDR_0	Initialized	—	—	—	Initialized	Initialized	Initialized	Initialized	Initialized	Initialized	
SSR_0	Initialized	—	—	—	Initialized	Initialized	Initialized	Initialized	Initialized	Initialized	
RDR_0	Initialized	—	—	—	Initialized	Initialized	Initialized	Initialized	Initialized	Initialized	
SCMR_0	Initialized	—	—	—	Initialized	Initialized	Initialized	Initialized	Initialized	Initialized	
SMR_1	Initialized	—	—	—	Initialized	Initialized	Initialized	Initialized	Initialized	Initialized	SCI_1
BRR_1	Initialized	—	—	—	Initialized	Initialized	Initialized	Initialized	Initialized	Initialized	
SCR_1	Initialized	—	—	—	Initialized	Initialized	Initialized	Initialized	Initialized	Initialized	
TDR_1	Initialized	—	—	—	Initialized	Initialized	Initialized	Initialized	Initialized	Initialized	
SSR_1	Initialized	—	—	—	Initialized	Initialized	Initialized	Initialized	Initialized	Initialized	

Register Abbrev.	Reset	High-Speed	Medium-Speed	Sleep	Module Stop	Watch	Subactive	Subsleep	Software Standby	Hardware Standby	Module
RDR_1	Initialized	—	—	—	Initialized	Initialized	Initialized	Initialized	Initialized	Initialized	SCI_1
SCMR_1	Initialized	—	—	—	Initialized	Initialized	Initialized	Initialized	Initialized	Initialized	
ADDRAH	Initialized	—	—	—	Initialized	Initialized	Initialized	Initialized	Initialized	Initialized	A/D
ADDRAL	Initialized	—	—	—	Initialized	Initialized	Initialized	Initialized	Initialized	Initialized	
ADDRBH	Initialized	—	—	—	Initialized	Initialized	Initialized	Initialized	Initialized	Initialized	
ADDRBL	Initialized	—	—	—	Initialized	Initialized	Initialized	Initialized	Initialized	Initialized	
ADDRCH	Initialized	—	—	—	Initialized	Initialized	Initialized	Initialized	Initialized	Initialized	
ADDRCL	Initialized	—	—	—	Initialized	Initialized	Initialized	Initialized	Initialized	Initialized	
ADDRDH	Initialized	—	—	—	Initialized	Initialized	Initialized	Initialized	Initialized	Initialized	
ADDRDL	Initialized	—	—	—	Initialized	Initialized	Initialized	Initialized	Initialized	Initialized	
ADCSR	Initialized	—	—	—	Initialized	Initialized	Initialized	Initialized	Initialized	Initialized	
ADCR	Initialized	—	—	—	Initialized	Initialized	Initialized	Initialized	Initialized	Initialized	
TCSR_1	Initialized	—	—	—	—	—	—	—	—	Initialized	WDT_1
TCNT_1	Initialized	—	—	—	—	—	—	—	—	Initialized	
FLMCR1	Initialized	—	—	—	—	—	—	—	—	Initialized	FLASH
FLMCR2	Initialized	—	—	—	—	—	—	—	—	Initialized	(F-ZTAT version)
EBR1	Initialized	—	—	—	—	—	—	—	—	Initialized	
EBR2*	Initialized	—	—	—	—	—	—	—	—	Initialized	
FLPWCR	Initialized	—	—	—	—	—	—	—	—	Initialized	
PORT1	—	—	—	—	—	—	—	—	—	—	PORT
PORT3	—	—	—	—	—	—	—	—	—	—	
PORT4	—	—	—	—	—	—	—	—	—	—	
PORTA	—	—	—	—	—	—	—	—	—	—	
PORTB	—	—	—	—	—	—	—	—	—	—	
PORTC	—	—	—	—	—	—	—	—	—	—	
PORTD	—	—	—	—	—	—	—	—	—	—	
PORTF	—	—	—	—	—	—	—	—	—	—	

Notes: — is not initialized.

\* In the H8S/2280 Group this register is reserved.



## Section 22 Electrical Characteristics

### 22.1 Absolute Maximum Ratings

Table 22.1 lists the absolute maximum ratings.

**Table 22.1 Absolute Maximum Ratings**

Item	Symbol	Value	Unit
Power supply voltage	$V_{CC}$ , $LPV_{CC}$	-0.3 to +7.0	V
	$PWMV_{CC}$	-0.3 to +7.0	V
Input voltage (XTAL, EXTAL)	$V_{in}$	-0.3 to $V_{CC} + 0.3$	V
Input voltage (port 4)	$V_{in}$	-0.3 to $AV_{CC} + 0.3$	V
Input voltage (except XTAL, EXTAL, and port 4)	$V_{in}$	-0.3 to $V_{CC} + 0.3$	V
Input voltage (ports H and J)	$V_{in}$	-0.3 to $PWMV_{CC} + 0.3$	V
Analog power supply voltage	$AV_{CC}$	-0.3 to +7.0	V
Analog input voltage	$V_{AN}$	-0.3 to $AV_{CC} + 0.3$	V
Operating temperature	$T_{opr}$	Regular specifications: -20 to +75	°C
		Wide-range specifications: -40 to +85	°C
Storage temperature	$T_{stg}$	-55 to +125	°C

Caution: Permanent damage to this LSI may result if absolute maximum rating are exceeded.

## 22.2 DC Characteristics

Table 22.2 lists the DC characteristics. Table 22.3 lists the permissible output currents.

**Table 22.2 DC Characteristics**

Conditions:  $V_{CC} = LPV_{CC} = 4.5\text{ V to }5.5\text{ V}$ ,  $AV_{CC} = 4.5\text{ V to }5.5\text{ V}$ ,  $PWMV_{CC} = 4.5\text{ V to }5.5\text{ V}$ ,  
 $V_{SS} = AV_{SS} = PWMV_{SS} = PLLV_{SS} = 0\text{ V}$ ,  $T_a = -20^\circ\text{C to }+75^\circ\text{C}$  (regular specifications),  $T_a = -40^\circ\text{C to }+85^\circ\text{C}$  (wide-range specifications)\*<sup>1</sup>

Item	Symbol	Min.	Typ.	Max.	Unit	Test Conditions	
Schmitt trigger input voltage	$\overline{IRQ0}$ to $\overline{IRQ5}$ , ports 1, 3, A to D, F, H, J	$V_T^-$	$V_{CC} \times 0.2$	—	—	V	
		$V_T^+$	—	—	$V_{CC} \times 0.7$	V	
		$V_T^+ - V_T^-$	$V_{CC} \times 0.05$	—	—	V	
Input high voltage	$\overline{RES}$ , $\overline{STBY}$ , NMI, MD2, MD0, FWE	$V_{IH}$	$V_{CC} \times 0.9$	—	$V_{CC} + 0.3$	V	
	EXTAL		$V_{CC} \times 0.7$	—	$V_{CC} + 0.3$	V	
	SCK0, SCK1, RxD0, RxD1, HRxD* <sup>4</sup>		$V_{CC} \times 0.7$	—	$V_{CC} + 0.3$	V	
	Port 4		$AV_{CC} \times 0.7$	—	$AV_{CC} + 0.3$	V	
Input low voltage	$\overline{RES}$ , $\overline{STBY}$ , NMI, MD2, MD0, FWE	$V_{IL}$	-0.3	—	$V_{CC} \times 0.1$	V	
	EXTAL		-0.3	—	$V_{CC} \times 0.2$	V	
	SCK0, SCK1, RxD0, RxD1, HRxD* <sup>4</sup>		-0.3	—	$V_{CC} \times 0.2$	V	
	Port 4		-0.3	—	$AV_{CC} \times 0.2$	V	
Output high voltage	All output pins	$V_{OH}$	$V_{CC} - 0.5$	—	—	V	$I_{OH} = -200\ \mu\text{A}$
			$V_{CC} - 1.0$	—	—	V	$I_{OH} = -1\ \text{mA}$
Output low voltage	All output pins	$V_{OL}$	—	—	0.4	V	$I_{OL} = 1.6\ \text{mA}$

Item	Symbol	Min.	Typ.	Max.	Unit	Test Conditions
Input leakage current	RES	$ I_{in} $	—	—	1.0	$\mu\text{A}$ $V_{in} = 0.5$ to $V_{cc} - 0.5$ V
	STBY, NMI, MD2, MD0, FWE, HRxD*4		—	—	1.0	$\mu\text{A}$
	Port 4		—	—	1.0	$\mu\text{A}$ $V_{in} = 0.5$ to $AV_{cc} - 0.5$ V
	Other than above ports		—	—	1.0	$\mu\text{A}$ $V_{in} = 0.5$ to $V_{cc} - 0.5$ V
Input capacitance	RES	$C_{in}$	—	—	30	pF $V_{in} = 0$ V
	NMI		—	—	30	pF $f = 1$ MHz
	All input pins except RES and NMI		—	—	15	pF $T_a = 25^\circ\text{C}$
Current dissipation*2	Normal operation	$I_{cc}$ *3	—	45 ( $V_{cc} = 5.0$ V)	55 ( $V_{cc} = 5.5$ V)	mA $f = 20$ MHz
	Sleep mode		—	35 ( $V_{cc} = 5.0$ V)	45 ( $V_{cc} = 5.5$ V)	mA $f = 20$ MHz
	All modules stopped		—	30	—	mA $f = 20$ MHz, $V_{cc} = 5.0$ V (reference values)
	Medium-speed mode ( $\phi/32$ )		—	30	—	mA $f = 20$ MHz, $V_{cc} = 5.0$ V (reference values)
	Subactive mode		—	0.7	1.0	mA Using the subclock
	Subsleep mode		—	0.7	1.0	mA Using the subclock
	Watch mode		—	0.6	1.0	mA Using the subclock
	Standby mode		—	2	5.0	$\mu\text{A}$ $T_a \leq 50^\circ\text{C}$
			—	—	20	$\mu\text{A}$ $50^\circ\text{C} < T_a$

Item		Symbol	Min.	Typ.	Max.	Unit	Test Conditions
LCD power-supply port power supply current	Operating	$LPI_{CC}$	—	10	20	mA	
	In standby mode		—	0.1	10	$\mu A$	$T_a \leq 50^\circ C$
			—	—	80	$\mu A$	$50^\circ C < T_a$
Analog power supply current	During A/D conversion	$AI_{CC}$	—	2.5	4.0	mA	$AV_{CC} = 5.0 V$
	Idle		—	—	5.0	$\mu A$	
RAM standby voltage		$V_{RAM}$	2.0	—	—	V	

- Notes:
1. If the A/D converter is not used, do not leave the  $AV_{CC}$  and  $AV_{SS}$  pins open. Apply a voltage between 4.5 V and 5.5 V to the  $AV_{CC}$  pin by connecting them to  $V_{CC}$ , for instance.
  2. Current dissipation values are for  $V_{IH} = V_{CC}$  (EXTAL),  $AV_{CC}$  (port 4),  $PWMV_{CC}$ ,  $LPV_{CC}$ , or  $V_{CC}$  (other), and  $V_{IL} = 0 V$ , with all output pins unloaded.
  3.  $I_{CC}$  depends on  $V_{CC}$  and  $f$  as follows:  
 $I_{CC} \text{ max} = 22 + 0.3 \times V_{CC} \times f$  (normal operation)  
 $I_{CC} \text{ max} = 18 + 0.25 \times V_{CC} \times f$  (sleep mode)
  4. This function is not implemented in the H8S/2280 Group.



**Table 22.3 Permissible Output Currents**

Conditions:  $V_{CC} = LPV_{CC} = 4.5\text{ V to }5.5\text{ V}$ ,  $AV_{CC} = 4.5\text{ V to }5.5\text{ V}$ ,  $PWMV_{CC} = 4.5\text{ V to }5.5\text{ V}$ ,  
 $V_{SS} = AV_{SS} = PWMV_{SS} = PLLV_{SS} = 0\text{ V}$ ,  $T_a = -20^\circ\text{C to }+75^\circ\text{C}$  (regular specifications),  $T_a = -40^\circ\text{C to }+85^\circ\text{C}$  (wide-range specifications)

Item		Symbol	Min.	Typ.	Max.	Unit	Test Conditions
Permissible output low current (per pin)	All output pins except PWM1A to 1H and PWM2A to 2H	$I_{OL}$	—	—	10	mA	
	PWM1A to 1H, PWM2A to 2H	$I_{OL}$	—	—	25	mA	$T_a = 75\text{ to }85^\circ\text{C}$
					30		$T_a = 25^\circ\text{C}$
			—	—	40	mA	$T_a = -40^\circ\text{C}$
Permissible output low current (total)	Total of all output pins except PWM1A to 1H and PWM2A to 2H	$\Sigma I_{OL}$	—	—	80	mA	
	Total of PWM1A to 1H and PWM2A to 2H	$\Sigma I_{OL}$	—	—	150	mA	$T_a = 75\text{ to }85^\circ\text{C}$
					180		$T_a = 25^\circ\text{C}$
			—	—	220	mA	$T_a = -40^\circ\text{C}$
Permissible output high current (per pin)	All output pins except PWM1A to 1H and PWM2A to 2H	$-I_{OH}$	—	—	2.0	mA	
	PWM1A to 1H, PWM2A to 2H	$-I_{OH}$	—	—	25	mA	$T_a = 75\text{ to }85^\circ\text{C}$
					30		$T_a = 25^\circ\text{C}$
			—	—	40	mA	$T_a = -40^\circ\text{C}$
Permissible output high current (total)	Total of all output pins except PWM1A to 1H and PWM2A to 2H	$\Sigma -I_{OH}$	—	—	40	mA	
	Total of PWM1A to 1H and PWM2A to 2H	$\Sigma -I_{OH}$	—	—	150	mA	$T_a = 75\text{ to }85^\circ\text{C}$
					180		$T_a = 25^\circ\text{C}$
			—	—	220	mA	$T_a = -40^\circ\text{C}$

Note: To protect chip reliability, do not exceed the output current values in table 22.3.



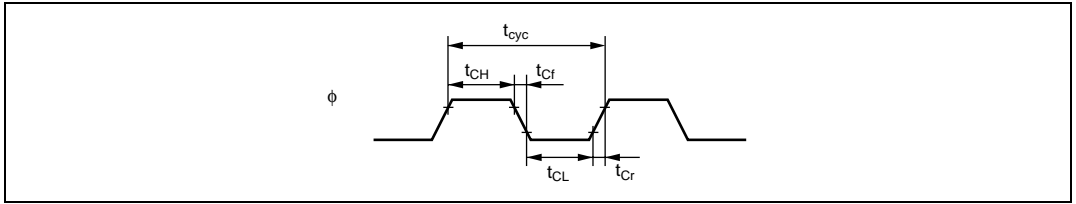


Figure 22.2 System Clock Timing

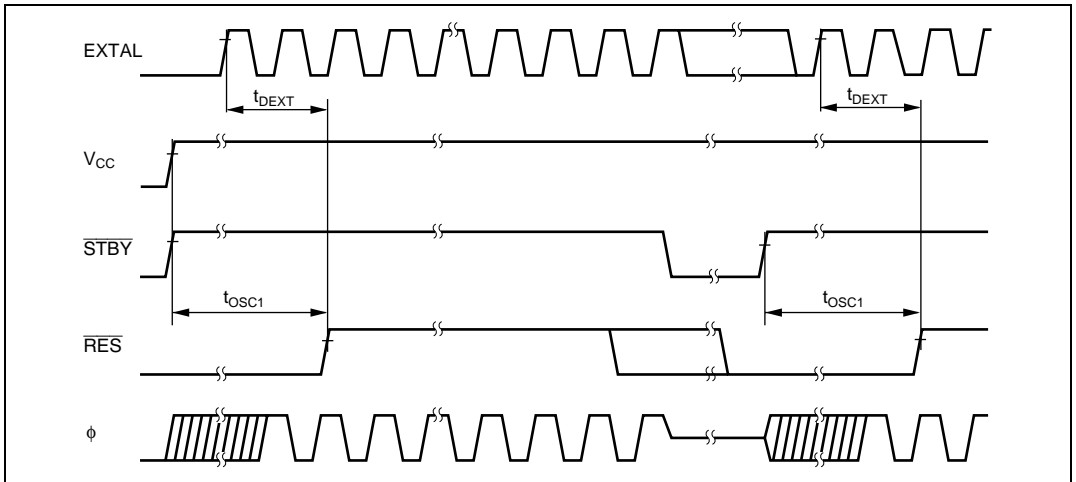


Figure 22.3 Oscillation Stabilization Timing

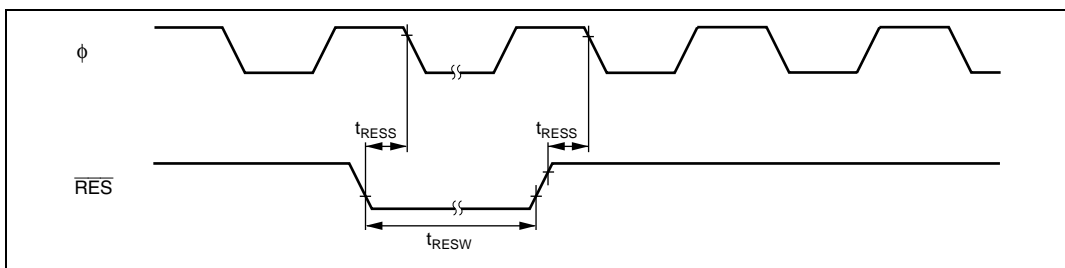
### 22.3.2 Control Signal Timing

Table 22.5 lists the control signal timing.

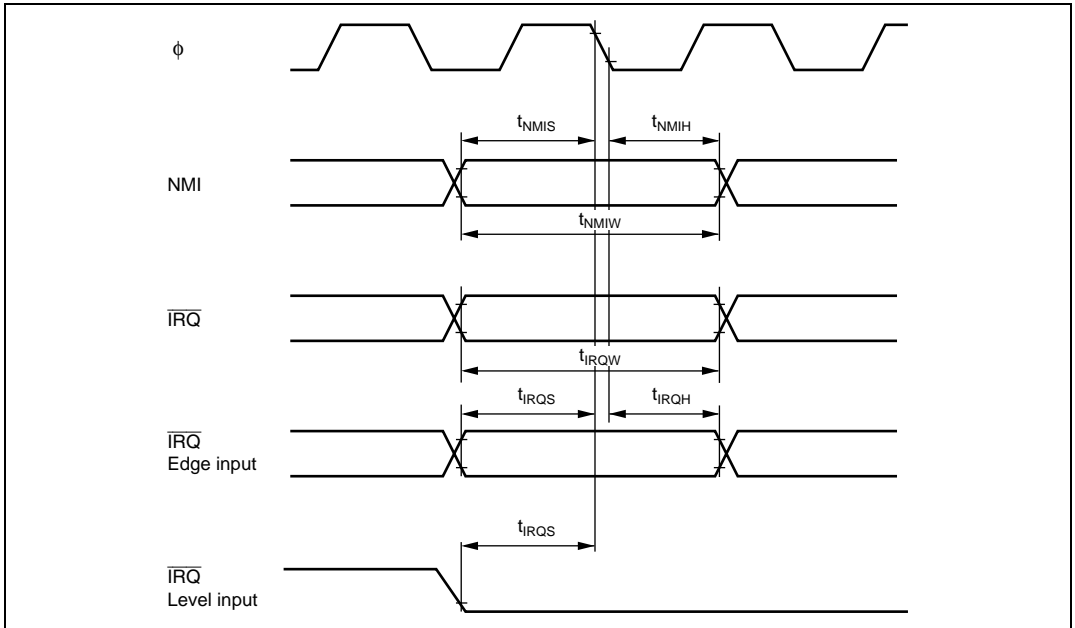
**Table 22.5 Control Signal Timing**

Conditions:  $V_{CC} = LPV_{CC} = 4.5\text{ V to }5.5\text{ V}$ ,  $AV_{CC} = 4.5\text{ V to }5.5\text{ V}$ ,  $PWMV_{CC} = 4.5\text{ V to }5.5\text{ V}$ ,  
 $V_{SS} = AV_{SS} = PWMV_{SS} = PLLV_{SS} = 0\text{ V}$ ,  $\phi = 4\text{ MHz to }20\text{ MHz}$ ,  
 $T_a = -20^\circ\text{C to }+75^\circ\text{C}$  (regular specifications),  $T_a = -40^\circ\text{C to }+85^\circ\text{C}$  (wide-range specifications)

Item	Symbol	Min.	Max.	Unit	Test Conditions
$\overline{\text{RES}}$ setup time	$t_{\text{RESS}}$	200	—	ns	Figure 22.4
$\overline{\text{RES}}$ pulse width	$t_{\text{RESW}}$	20	—	$t_{\text{cyc}}$	
NMI setup time	$t_{\text{NMIS}}$	150	—	ns	Figure 22.5
NMI hold time	$t_{\text{NMIH}}$	10	—	ns	
NMI pulse width (exiting software standby mode)	$t_{\text{NMIW}}$	200	—	ns	
$\overline{\text{IRQ}}$ setup time	$t_{\text{IRQS}}$	150	—	ns	
$\overline{\text{IRQ}}$ hold time	$t_{\text{IRQH}}$	10	—	ns	
$\overline{\text{IRQ}}$ pulse width (exiting software standby mode)	$t_{\text{IRQW}}$	200	—	ns	



**Figure 22.4 Reset Input Timing**



**Figure 22.5 Interrupt Input Timing**

### 22.3.3 Timing of On-Chip Supporting Modules

Table 22.6 lists the timing of on-chip supporting modules.

**Table 22.6 Timing of On-Chip Supporting Modules**

Conditions:  $V_{CC} = LPV_{CC} = 4.5\text{ V to }5.5\text{ V}$ ,  $AV_{CC} = 4.5\text{ V to }5.5\text{ V}$ ,  $PWMV_{CC} = 4.5\text{ V to }5.5\text{ V}$ ,  
 $V_{SS} = AV_{SS} = PWMV_{SS} = PLLV_{SS} = 0\text{ V}$ ,  $\phi = 4\text{ MHz to }20\text{ MHz}$ ,  
 $T_a = -20^\circ\text{C to }+75^\circ\text{C}$  (regular specifications),  $T_a = -40^\circ\text{C to }+85^\circ\text{C}$  (wide-range specifications)

Item		Symbol	Min.	Max.	Unit	Test Conditions	
I/O port	Output data delay time	$t_{PWD}$	—	50	ns	Figure 22.6	
	Input data setup time	$t_{PRS}$	30	—			
	Input data hold time	$t_{PRH}$	30	—			
TPU	Timer output delay time	$t_{TOCD}$	—	50	ns	Figure 22.7	
	Timer input setup time	$t_{TICS}$	30	—			
	Timer clock input setup time	$t_{TCKS}$	30	—	ns	Figure 22.8	
	Timer clock pulse width	Single edge	$t_{TCKWH}$	1.5	—		$t_{cyc}$
		Both edges	$t_{TCKWL}$	2.5	—		
SCI	Input clock cycle	Asynchronous	$t_{Syc}$	4	—	$t_{cyc}$	Figure 22.9
		Synchronous		6	—		
	Input clock pulse width	$t_{SCKW}$	0.4	0.6	$t_{Syc}$		
	Input clock rise time	$t_{SCKr}$	—	1.5	$t_{cyc}$		
	Input clock fall time	$t_{SCKf}$	—	1.5			
	Transmit data delay time	$t_{TXD}$	—	50	ns	Figure 22.10	
	Receive data setup time (synchronous)	$t_{RXS}$	50	—			
	Receive data hold time (synchronous)	$t_{RXH}$	50	—			

Item		Symbol	Min.	Max.	Unit	Test Conditions
A/D converter	Trigger input setup time	$t_{TRGS}$	30	—	ns	Figure 22.11
HCAN*	Transmit data delay time	$t_{HTXD}$	—	100	ns	Figure 22.12
	Receive data setup time	$t_{HRXS}$	100	—		
	Receive data hold time	$t_{HRXH}$	100	—		
PWM	Pulse output delay time	$t_{MPWMOD}$	—	50	ns	Figure 22.13

Note: \* The HCAN input signal is asynchronous. However, its state is judged to have changed at the rising-edge (two clock cycles) of the system clock signal ( $\phi$ ) shown in figure 22.12. The HCAN output signal is also asynchronous. Its state changes are based on the rising-edge (two clock cycles) of the system clock signal ( $\phi$ ) shown in figure 22.12. This function is not implemented in the H8S/2280 Group.

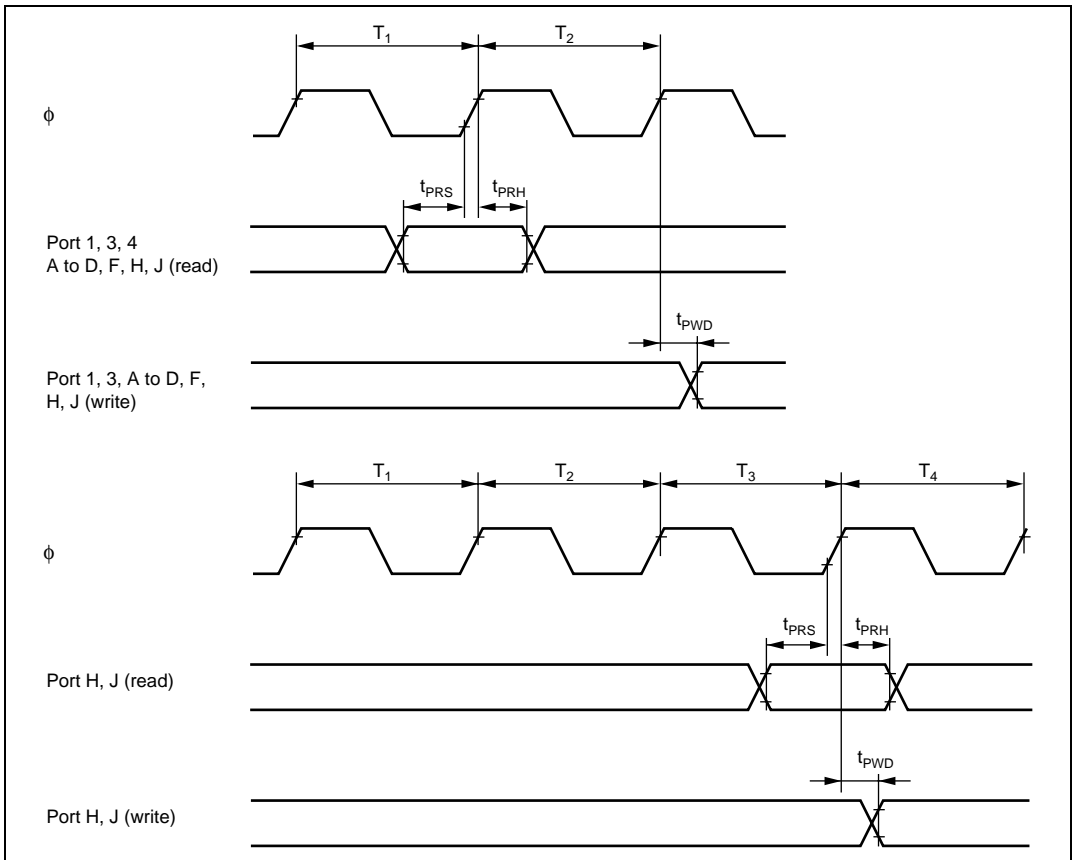


Figure 22.6 I/O Port Input/Output Timing

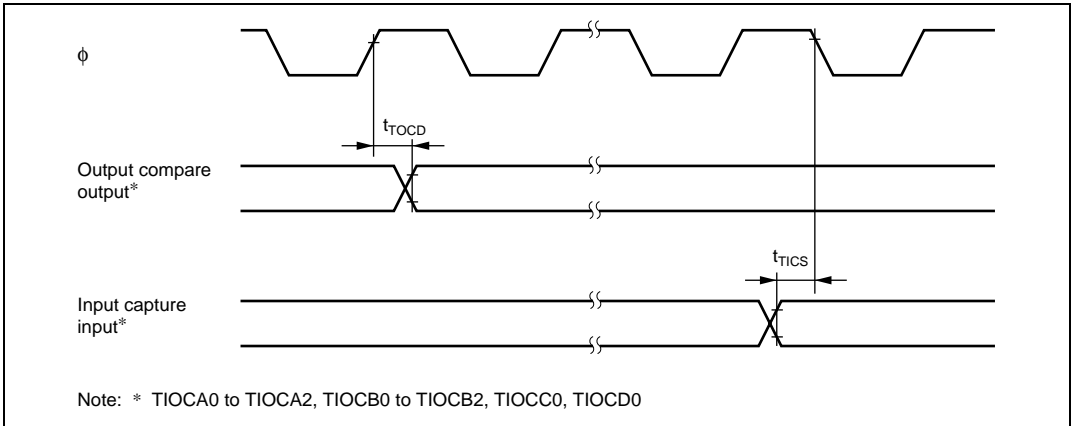


Figure 22.7 TPU Input/Output Timing

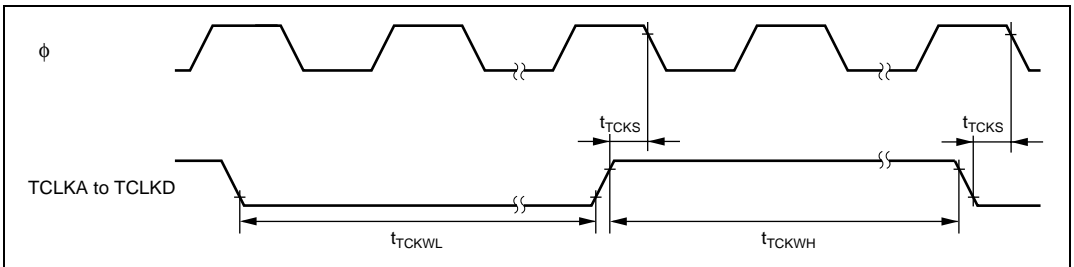


Figure 22.8 TPU Clock Input Timing

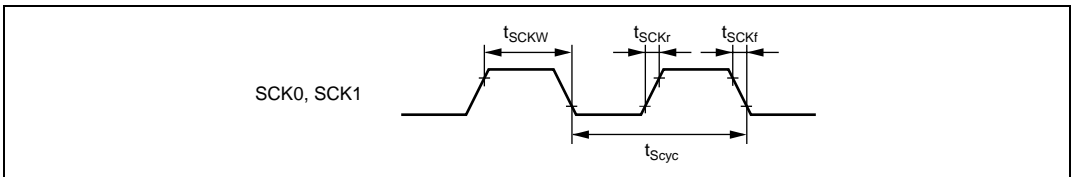
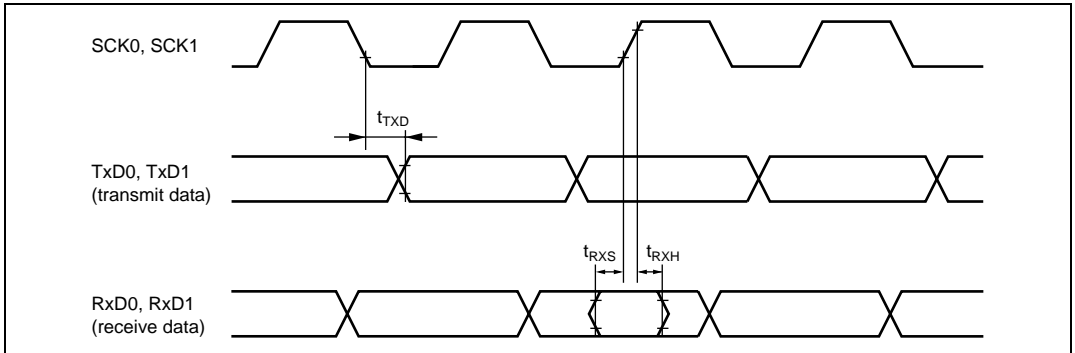
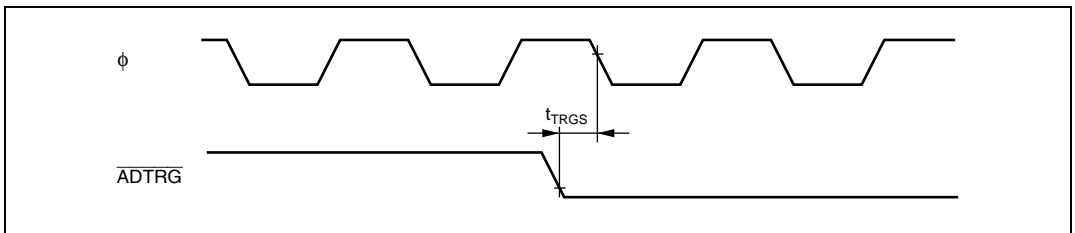


Figure 22.9 SCK Clock Input Timing

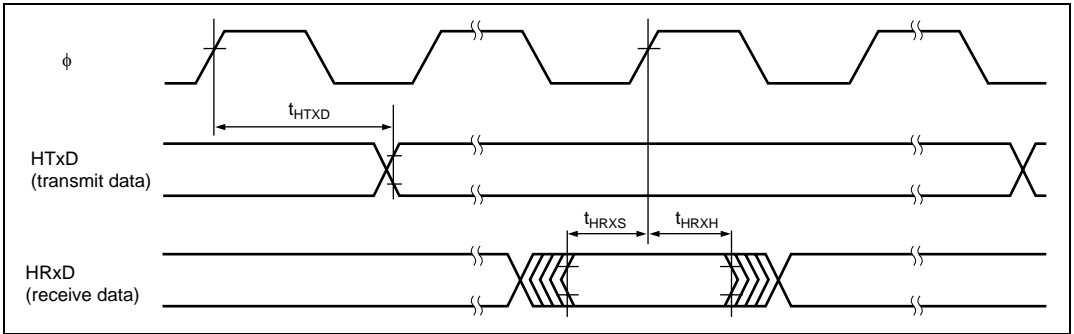




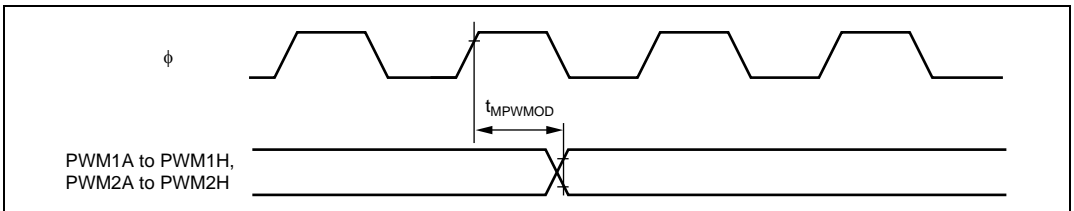
**Figure 22.10 SCI Input/Output Timing (Clock Synchronous Mode)**



**Figure 22.11 A/D Converter External Trigger Input Timing**



**Figure 22.12 HCAN Input/Output Timing**



**Figure 22.13 Motor Control PWM Output Timing**

## 22.4 A/D Conversion Characteristics

Table 22.7 lists the A/D conversion characteristics.

**Table 22.7 A/D Conversion Characteristics**

Conditions:  $V_{CC} = LPV_{CC} = 4.5\text{ V to }5.5\text{ V}$ ,  $AV_{CC} = 4.5\text{ V to }5.5\text{ V}$ ,  $PWMV_{CC} = 4.5\text{ V to }5.5\text{ V}$ ,  
 $V_{SS} = AV_{SS} = PWMV_{SS} = PLLV_{SS} = 0\text{ V}$ ,  $\phi = 4\text{ MHz to }20\text{ MHz}$ ,  
 $T_a = -20^\circ\text{C to }+75^\circ\text{C}$  (regular specifications),  $T_a = -40^\circ\text{C to }+85^\circ\text{C}$  (wide-range specifications)

Item	Min.	Typ.	Max.	Unit
Resolution	10	10	10	bits
Conversion time	10	—	200	$\mu\text{s}$
Analog input capacitance	—	—	20	pF
Permissible signal-source impedance	—	—	5	k $\Omega$
Nonlinearity error	—	—	$\pm 3.5$	LSB
Offset error	—	—	$\pm 3.5$	LSB
Full-scale error	—	—	$\pm 3.5$	LSB
Quantization	—	$\pm 0.5$	—	LSB
Absolute accuracy	—	—	$\pm 4.0$	LSB

## 22.5 Flash Memory Characteristics

Table 22.8 lists the flash memory characteristics.

**Table 22.8 Flash Memory Characteristics**

Conditions:  $V_{CC} = PWMV_{CC} = LPV_{CC} = 4.5\text{ V to }5.5\text{ V}$ ,  $AV_{CC} = 4.5\text{ V to }5.5\text{ V}$ ,  
 $V_{SS} = PWMV_{SS} = PLLV_{SS} = AV_{SS} = 0\text{ V}$ ,  $T_a = 0\text{ to }+75^\circ\text{C}$  (Programming/erasing  
operating temperature range: regular specifications)

Item	Symbol	Min.	Typ.	Max.	Unit	Test Condition	
Programming time <sup>*1 *2 *4</sup>	$t_p$	—	10	200	ms/ 128 bytes		
Erase time <sup>*1 *3 *5</sup>	$t_E$	—	100	1200	ms/block		
Reprogramming count	$N_{WEC}$	—	—	100	Times		
Programming	Wait time after SWE bit setting <sup>*1</sup>	$t_{sswe}$	1	1	—	$\mu\text{s}$	
	Wait time after PSU bit setting <sup>*1</sup>	$t_{spSU}$	50	50	—	$\mu\text{s}$	
	Wait time after P bit setting <sup>*1 *4</sup>	$t_{sp30}$	28	30	32	$\mu\text{s}$	Programming time wait
		$t_{sp200}$	198	200	202	$\mu\text{s}$	Programming time wait
		$t_{sp10}$	8	10	12	$\mu\text{s}$	Additional-programming time wait
	Wait time after P bit clear <sup>*1</sup>	$t_{cp}$	5	5	—	$\mu\text{s}$	
	Wait time after PSU bit clear <sup>*1</sup>	$t_{cpSU}$	5	5	—	$\mu\text{s}$	
	Wait time after PV bit setting <sup>*1</sup>	$t_{spv}$	4	4	—	$\mu\text{s}$	
	Wait time after H'FF dummy write <sup>*1</sup>	$t_{spvr}$	2	2	—	$\mu\text{s}$	
	Wait time after PV bit clear <sup>*1</sup>	$t_{cpv}$	2	2	—	$\mu\text{s}$	
	Wait time after SWE bit clear <sup>*1</sup>	$t_{cswe}$	100	100	—	$\mu\text{s}$	
	Maximum programming count <sup>*1 *4</sup>	N	—	—	1000	Times	

Item		Symbol	Min.	Typ.	Max.	Unit	Test Condition
Erase	Wait time after SWE bit setting <sup>*1</sup>	$t_{sswe}$	1	1	—	$\mu\text{s}$	
	Wait time after ESU bit setting <sup>*1</sup>	$t_{sesu}$	100	100	—	$\mu\text{s}$	
	Wait time after E bit setting <sup>*1 *5</sup>	$t_{se}$	10	10	100	ms	Erase time wait
	Wait time after E bit clear <sup>*1</sup>	$t_{ce}$	10	10	—	$\mu\text{s}$	
	Wait time after ESU bit clear <sup>*1</sup>	$t_{cesu}$	10	10	—	$\mu\text{s}$	
	Wait time after EV bit setting <sup>*1</sup>	$t_{sev}$	20	20	—	$\mu\text{s}$	
	Wait time after H'FF dummy write <sup>*1</sup>	$t_{sevr}$	2	2	—	$\mu\text{s}$	
	Wait time after EV bit clear <sup>*1</sup>	$t_{cev}$	4	4	—	$\mu\text{s}$	
	Wait time after SWE bit clear <sup>*1</sup>	$t_{cswe}$	100	100	—	$\mu\text{s}$	
Maximum erase count <sup>*1 *5</sup>	N	12	—	120	Times		

- Notes: 1. Follow the program/erase algorithms when making the time settings.
2. Programming time per 128 bytes. (Indicates the total time during which the P bit is set in flash memory control register 1 (FLMCR1). Does not include the program-verify time.)
3. Time to erase one block. (Indicates the total time during which the E bit is set in FLMCR1. Does not include the erase-verify time.)
4. To specify the maximum programming time value ( $t_p(\text{max})$ ) in the 128-byte programming algorithm, set the max. value (1000) for the maximum programming count (N).

The wait time after P bit setting should be changed as follows according to the value of the programming counter (n).

Programming counter (n) = 1 to 6:  $t_{sp30} = 30 \mu\text{s}$   
 Programming counter (n) = 7 to 1000:  $t_{sp200} = 200 \mu\text{s}$   
 (Additional programming)  
 Programming counter (n) = 1 to 6:  $t_{sp10} = 10 \mu\text{s}$

5. For the maximum erase time ( $t_E(\text{max})$ ), the following relationship applies between the wait time after E bit setting ( $t_{se}$ ) and the maximum erase count (N):

$$t_E(\text{max}) = \text{Wait time after E bit setting } (t_{se}) \times \text{maximum erase count } (N)$$

To set the maximum erase time, the values of ( $t_{se}$ ) and (N) should be set so as to satisfy the above formula.

Examples: When  $t_{se} = 100 \text{ ms}$ ,  $N = 12 \text{ times}$

When  $t_{se} = 10 \text{ ms}$ ,  $N = 120 \text{ times}$

## 22.6 LCD Characteristics

Table 22.9 lists the LCD characteristics.

**Table 22.9 LCD Characteristics**

Conditions:  $V_{CC} = LPV_{CC} = 4.5\text{ V to }5.5\text{ V}$ ,  $AV_{CC} = 4.5\text{ V to }5.5\text{ V}$ ,  $PWMV_{CC} = 4.5\text{ V to }5.5\text{ V}$ ,  
 $V_{SS} = AV_{SS} = PWMV_{SS} = PLLV_{SS} = 0\text{ V}$ ,  $T_a = -20^\circ\text{C to }+75^\circ\text{C}$  (regular specifications),  $T_a = -40^\circ\text{C to }+85^\circ\text{C}$  (wide-range specifications)<sup>\*1</sup>

Item	Symbol	Pins	Test Condition	Min.	Typ.	Max.	Unit	Remarks
Segment driver step-down voltage	$V_{DS}$	SEG1 to SEG28 (H8S/2282 Group, HD64F2280B) SEG1 to SEG32 (HD64F2280RB)	$ID = 2\ \mu\text{A}$	—	—	0.6	V	*1
Common driver step-down voltage	$V_{DC}$	COM1 to COM4	$ID = 2\ \mu\text{A}$	—	—	0.3	V	*1
LCD power-supply split-resistance	$R_{LCD}$		$V1\text{ to }V_{SS}$	40	300	1000	k $\Omega$	
LCD voltage	$V_{LCD}$	V1		4.5	—	$LPV_{CC}$	V	*2

- Notes: 1 The value shows the step-down voltage from the power-supply pins V1, V2, V3, and Vss to the respective segment pin or common pin.  
 2 When the LCD voltage is supplied externally, the following relation should be maintained:  $LPV_{CC} \geq V1 \geq V2 \geq V3 \geq V_{SS}$ .

# Appendix

## A. I/O Port States in Each Pin State

Port Name	MCU Operating Mode	Reset	Hardware Standby Mode	Software Standby Mode	Subactive Mode	Program Execution State Sleep Mode
Port 1	7	T	T	Keep	I/O port	I/O port
Port 3	7	T	T	Keep	I/O port	I/O port
Port 4	7	T	T	T	Input port	Input port
Port A	7	T	T	Keep	I/O port	I/O port
Port B	7	T	T	Keep	I/O port	I/O port
Port C	7	T	T	Keep	I/O port	I/O port
Port D	7	T	T	Keep	I/O port	I/O port
PF7	7	T	T	[DDR = 0] T [DDR = 1] H	[DDR = 0] T [DDR = 1] H	[DDR = 0] T [DDR = 1] Clock output
PF6	7	T	T	Keep	I/O port	I/O port
PF5						
PF4						
PF3						
PF2						
PF1 <sup>*1</sup>						
PF0 <sup>*1</sup>						
Port H	7	T	T	Keep	I/O port	I/O port
Port J	7	T	T	Keep	I/O port	I/O port
HTxD <sup>*2</sup>	7	H	T	H	H	Output
HRxD <sup>*2</sup>	7	Input	T	T	T	Input

Legend:

H: High level

T: High impedance

Keep: Input port becomes high-impedance, output port retains state

Notes: 1. This function is not implemented in the H8S/2282 Group.

2. This function is not implemented in the H8S/2280 Group.

## B. Product Lineup

Product		Type Name	Model Marking	Package (Code)
H8S/2282	F-ZTAT version	HD64F2282	HD64F2282	100-pin QFP (FP-100A)
	Mask ROM version	HD6432282	HD6432282(***)	100-pin QFP (FP-100A)
H8S/2281	Mask ROM version	HD6432281	HD6432281(***)	100-pin QFP (FP-100A)
H8S/2280B	F-ZTAT version	HD64F2280B	HD64F2280	100-pin QFP (FP-100A)
H8S/2280RB	F-ZTAT version	HD64F2280RB	HD64F2280R	100-pin QFP (FP-100A)

Legend:

(\*\*\*) : ROM code

Note: The above products include those under development or being planned. For the status of each product, contact your nearest Renesas Technology sales office.



## C. Package Dimensions

The package dimension that is shown in the Renesas Semiconductor Package Data Book has priority.

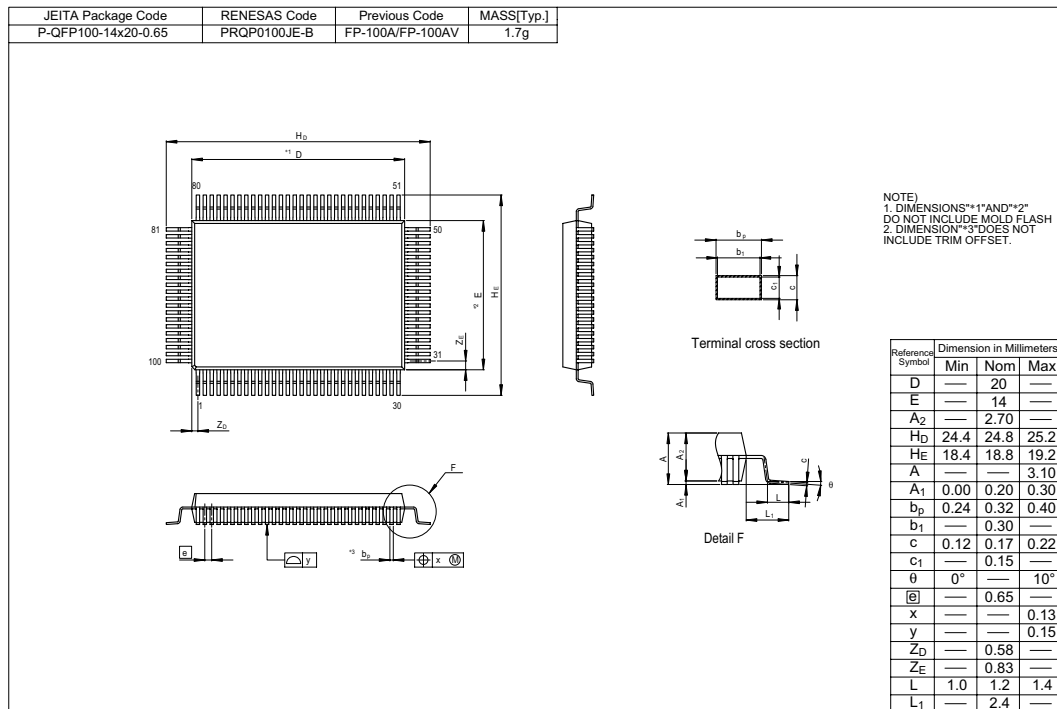


Figure C.1 FP-100A Package Dimensions



# Main Revisions for This Edition

Item	Page	Revisions (See Manual for Details)																				
1.1 Overview	1	<ul style="list-style-type: none"> <li>Various peripheral functions</li> </ul> Description added — Controller area network (HCAN) (H8S/2282 Group only)																				
	1	<ul style="list-style-type: none"> <li>On-chip memory</li> </ul> Model name added <table border="1" data-bbox="455 405 1126 560"> <thead> <tr> <th>ROM</th> <th>Model</th> <th>ROM</th> <th>RAM</th> </tr> </thead> <tbody> <tr> <td rowspan="3">F-ZTAT Version</td> <td>HD64F2282</td> <td>128 kbytes</td> <td>4 kbytes</td> </tr> <tr> <td>HD64F2280B</td> <td>64 kbytes</td> <td>2 kbytes</td> </tr> <tr> <td>HD64F2280RB</td> <td>64 kbytes</td> <td>2 kbytes</td> </tr> <tr> <td rowspan="2">Mask ROM Version</td> <td>HD6432282</td> <td>128 kbytes</td> <td>4 kbytes</td> </tr> <tr> <td>HD6432281</td> <td>64 kbytes</td> <td>4 kbytes</td> </tr> </tbody> </table>	ROM	Model	ROM	RAM	F-ZTAT Version	HD64F2282	128 kbytes	4 kbytes	HD64F2280B	64 kbytes	2 kbytes	HD64F2280RB	64 kbytes	2 kbytes	Mask ROM Version	HD6432282	128 kbytes	4 kbytes	HD6432281	64 kbytes
ROM	Model	ROM	RAM																			
F-ZTAT Version	HD64F2282	128 kbytes	4 kbytes																			
	HD64F2280B	64 kbytes	2 kbytes																			
	HD64F2280RB	64 kbytes	2 kbytes																			
Mask ROM Version	HD6432282	128 kbytes	4 kbytes																			
	HD6432281	64 kbytes	4 kbytes																			
1.2 Internal Block Diagram	2	Figure 1.1 title amended																				
Figure 1.1 H8S/2282 Group Internal Block Diagram																						
Figure 1.2 H8S/2280 Group (HD64F2280B) Internal Block Diagram	3	Figure 1.2 added																				
Figure 1.3 H8S/2280 Group (HD64F2280RB) Internal Block Diagram	4	Figure 1.3 added																				
1.3 Pin Arrangement	5	Figure 1.4 title amended																				
Figure 1.4 H8S/2282 Group Pin Arrangement																						
Figure 1.5 H8S/2280 Group (HD64F2280B) Pin Arrangement	6	Figure 1.5 added																				
Figure 1.6 H8S/2280 Group (HD64F2280RB) Pin Arrangement	7	Figure 1.6 added																				

Item	Page	Revisions (See Manual for Details)																																						
1.4.1 H8S/2282 Group and H8S/2280 Group (HD64F2280B) Pin Functions	8	Subheading added																																						
	9	Note added																																						
		<table border="1"> <thead> <tr> <th>Type</th> <th>Symbol</th> <th>Pin NO.</th> <th>I/O</th> <th>Function</th> </tr> </thead> <tbody> <tr> <td>HCAN</td> <td>HTxD<sup>81</sup></td> <td>87</td> <td>Output</td> <td>CAN bus transmission pin</td> </tr> <tr> <td></td> <td>HRxD<sup>81</sup></td> <td>86</td> <td>Input</td> <td>CAN bus reception pin</td> </tr> </tbody> </table>	Type	Symbol	Pin NO.	I/O	Function	HCAN	HTxD <sup>81</sup>	87	Output	CAN bus transmission pin		HRxD <sup>81</sup>	86	Input	CAN bus reception pin																							
Type	Symbol	Pin NO.	I/O	Function																																				
HCAN	HTxD <sup>81</sup>	87	Output	CAN bus transmission pin																																				
	HRxD <sup>81</sup>	86	Input	CAN bus reception pin																																				
13		<table border="1"> <thead> <tr> <th>Type</th> <th>Symbol</th> <th>Pin NO.</th> <th>I/O</th> <th>Function</th> </tr> </thead> <tbody> <tr> <td>I/O ports</td> <td>PF7</td> <td>78</td> <td>Input/ Output</td> <td rowspan="7">Eight input/output pins</td> </tr> <tr> <td></td> <td>PF6</td> <td>28</td> <td></td> </tr> <tr> <td></td> <td>PF5</td> <td>27</td> <td></td> </tr> <tr> <td></td> <td>PF4</td> <td>26</td> <td></td> </tr> <tr> <td></td> <td>PF3</td> <td>79</td> <td></td> </tr> <tr> <td></td> <td>PF2</td> <td>25</td> <td></td> </tr> <tr> <td></td> <td>PF1<sup>82</sup></td> <td>87</td> <td></td> </tr> <tr> <td></td> <td>PF0<sup>82</sup></td> <td>86</td> <td></td> </tr> </tbody> </table>	Type	Symbol	Pin NO.	I/O	Function	I/O ports	PF7	78	Input/ Output	Eight input/output pins		PF6	28			PF5	27			PF4	26			PF3	79			PF2	25			PF1 <sup>82</sup>	87			PF0 <sup>82</sup>	86	
	Type	Symbol	Pin NO.	I/O	Function																																			
	I/O ports	PF7	78	Input/ Output	Eight input/output pins																																			
		PF6	28																																					
		PF5	27																																					
		PF4	26																																					
		PF3	79																																					
	PF2	25																																						
	PF1 <sup>82</sup>	87																																						
	PF0 <sup>82</sup>	86																																						
13		Notes: 1. The H8S/2280 Group is not equipped with HCAN pins.																																						
		2. The H8S/2282 Group is not equipped with PF1 and PF0 pins.																																						
1.4.2 H8S/2280 Group (HD64F2280RB) Pin Functions	14 to 19	Section 1.4.2 added																																						

Item	Page	Revisions (See Manual for Details)
------	------	------------------------------------

3.4 Address Map	60	Figure 3.1 amended
-----------------	----	--------------------

Figure 3.1 Address Map

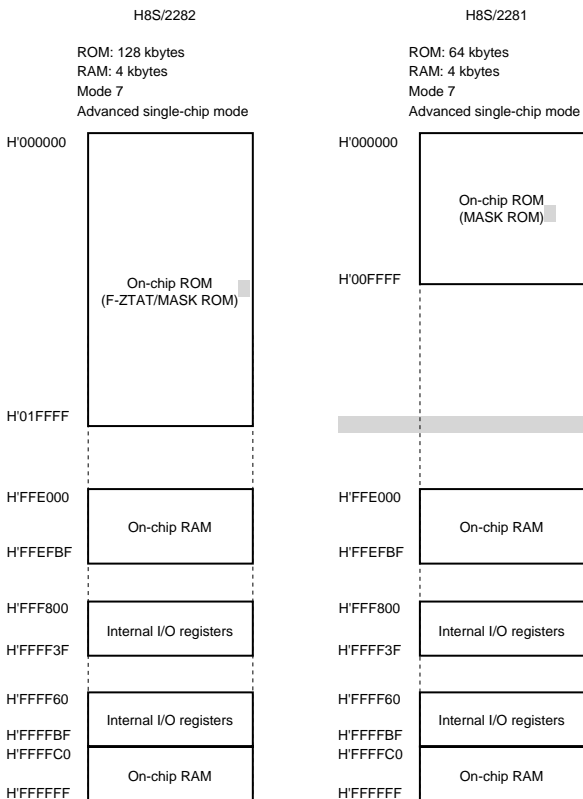


Figure 3.2 Address Map

61	Figure 3.2 added
----	------------------

5.5 Interrupt Exception Handling Vector Table	84	Note added
---	----	------------

Table 5.2 Interrupt Sources, Vector Addresses, and Interrupt Priorities

Interrupt Source	Origin of Interrupt Source
HCAN <sup>REG</sup>	ERS0/OVR0, RM0, RM1, SLE0 (mailbox 0 reception)

Note: 2. In the H8S/2280 Group the HCAN interrupt sources are reserved.

Item	Page	Revisions (See Manual for Details)																											
6.1.3 On-Chip HCAN Module Access Timing	97	Note added Note: The H8S/2280 Group is not equipped with HCAN pins.																											
Section 7 I/O Ports	101	Note added																											
Table 7.1 Port Functions of H8S/2282 Group and H8S/2280 Group (HD64F2280B)		<table border="1"> <thead> <tr> <th>Port</th> <th>Description</th> <th>Port and Other Functions Name</th> </tr> </thead> <tbody> <tr> <td>Port F</td> <td>General I/O port also functioning as interrupt input pin, A/D converter start trigger input pin, segment output pins of LCD, and a system clock output pin</td> <td>PF7/<math>\phi</math></td> </tr> <tr> <td></td> <td></td> <td>PF6/SEG24</td> </tr> <tr> <td></td> <td></td> <td>PF5/SEG23</td> </tr> <tr> <td></td> <td></td> <td>PF4/SEG22</td> </tr> <tr> <td></td> <td></td> <td>PF3/ADTRG/IRQ3</td> </tr> <tr> <td></td> <td></td> <td>PF2/SEG21</td> </tr> <tr> <td></td> <td></td> <td>PF1*</td> </tr> <tr> <td></td> <td></td> <td>PF0/IRQ2*</td> </tr> </tbody> </table>	Port	Description	Port and Other Functions Name	Port F	General I/O port also functioning as interrupt input pin, A/D converter start trigger input pin, segment output pins of LCD, and a system clock output pin	PF7/ $\phi$			PF6/SEG24			PF5/SEG23			PF4/SEG22			PF3/ADTRG/IRQ3			PF2/SEG21			PF1*			PF0/IRQ2*
Port	Description	Port and Other Functions Name																											
Port F	General I/O port also functioning as interrupt input pin, A/D converter start trigger input pin, segment output pins of LCD, and a system clock output pin	PF7/ $\phi$																											
		PF6/SEG24																											
		PF5/SEG23																											
		PF4/SEG22																											
		PF3/ADTRG/IRQ3																											
		PF2/SEG21																											
		PF1*																											
		PF0/IRQ2*																											
	102	Note: * The H8S/2282 Group does not have these pins.																											
Table 7.2 Port Functions of H8S/2280 Group (HD64F2280RB)	103 to 105	Table 7.2 added																											
7.3 Port 4	121	Description amended and note added Port 4 is an input port that functions as both 8-bit analog input and LCD segment output pins*. Port 4 has the following register. <ul style="list-style-type: none"> <li>Port 4 register (PORT4)</li> </ul> Note: * H8S/2280 Group (HD64F2280RB) only.																											
7.3.2 Pin Functions	122	Section 7.3.2 added																											
7.4.5 H8S/2282 Group and H8S/2280 Group (HD64F2280B) Pin Functions	125	Title amended																											
7.4.6 H8S/2280 Group (HD64F2280RB) Pin Functions	126	Section 7.4.6 added																											
7.5.5 H8S/2282 Group and H8S/2280 Group (HD64F2280B) Pin Functions	129	Title amended																											

Item	Page	Revisions (See Manual for Details)																																									
7.5.6 H8S/2280 Group (HD64F2280RB) Pin Functions	130	Section 7.5.6 added																																									
7.6.5 H8S/2282 Group and H8S/2280 Group (HD64F2280B) Pin Functions	133	Title amended																																									
7.6.6 H8S/2280 Group (HD64F2280RB) Pin Functions	134	Section 7.6.6 added																																									
7.7.4 H8S/2282 Group and H8S/2280 Group (HD64F2280B) Pin Functions	136	Title amended																																									
7.7.5 H8S/2280 Group (HD64F2280RB) Pin Functions	137	Section 7.7.5 added																																									
7.8.1 Port F Data Direction Register (PFDDR)	138	Description amended and note added																																									
		<table border="1"> <thead> <tr> <th>Bit</th> <th>Bit Name</th> <th>Initial Value</th> <th>R/W</th> <th>Description</th> </tr> </thead> <tbody> <tr> <td>7</td> <td>PF7DDR</td> <td>0</td> <td>W</td> <td>When the pin function is specified to a general I/O port, setting this bit to 1 makes the PF7 pin the <math>\phi</math> output pin, while clearing this bit to 0 makes the pin an input pin.</td> </tr> <tr> <td>6</td> <td>PF6DDR</td> <td>0</td> <td>W</td> <td rowspan="5">When a pin function is specified to a general I/O port, setting this bit to 1 makes the corresponding port F pin an output pin, while clearing this bit to 0 makes the pin an input pin.</td> </tr> <tr> <td>5</td> <td>PF5DDR</td> <td>0</td> <td>W</td> </tr> <tr> <td>4</td> <td>PF4DDR</td> <td>0</td> <td>W</td> </tr> <tr> <td>3</td> <td>PF3DDR</td> <td>0</td> <td>W</td> </tr> <tr> <td>2</td> <td>PF2DDR</td> <td>0</td> <td>W</td> </tr> <tr> <td>1</td> <td>PF1DDR*</td> <td>0</td> <td>W</td> <td></td> </tr> <tr> <td>0</td> <td>PF0DDR*</td> <td>0</td> <td>W</td> <td></td> </tr> </tbody> </table>	Bit	Bit Name	Initial Value	R/W	Description	7	PF7DDR	0	W	When the pin function is specified to a general I/O port, setting this bit to 1 makes the PF7 pin the $\phi$ output pin, while clearing this bit to 0 makes the pin an input pin.	6	PF6DDR	0	W	When a pin function is specified to a general I/O port, setting this bit to 1 makes the corresponding port F pin an output pin, while clearing this bit to 0 makes the pin an input pin.	5	PF5DDR	0	W	4	PF4DDR	0	W	3	PF3DDR	0	W	2	PF2DDR	0	W	1	PF1DDR*	0	W		0	PF0DDR*	0	W	
Bit	Bit Name	Initial Value	R/W	Description																																							
7	PF7DDR	0	W	When the pin function is specified to a general I/O port, setting this bit to 1 makes the PF7 pin the $\phi$ output pin, while clearing this bit to 0 makes the pin an input pin.																																							
6	PF6DDR	0	W	When a pin function is specified to a general I/O port, setting this bit to 1 makes the corresponding port F pin an output pin, while clearing this bit to 0 makes the pin an input pin.																																							
5	PF5DDR	0	W																																								
4	PF4DDR	0	W																																								
3	PF3DDR	0	W																																								
2	PF2DDR	0	W																																								
1	PF1DDR*	0	W																																								
0	PF0DDR*	0	W																																								
		Note: * In the H8S/2282 Group these bits are reserved. Undefined values are output when they are read.																																									

Item	Page	Revisions (See Manual for Details)																																									
7.8.2 Port F Data Register (PFDR)	139	Description amended and note added																																									
		<table border="1"> <thead> <tr> <th>Bit</th> <th>Bit Name</th> <th>Initial Value</th> <th>R/W</th> <th>Description</th> </tr> </thead> <tbody> <tr> <td>7</td> <td>—</td> <td>0</td> <td>R/W</td> <td>Reserved Only 0 should be written to this bit.</td> </tr> <tr> <td>6</td> <td>PF6DR</td> <td>0</td> <td>R/W</td> <td rowspan="5">Output data for a pin is stored when the pin function is specified to a general I/O port.</td> </tr> <tr> <td>5</td> <td>PF5DR</td> <td>0</td> <td>R/W</td> </tr> <tr> <td>4</td> <td>PF4DR</td> <td>0</td> <td>R/W</td> </tr> <tr> <td>3</td> <td>PF3DR</td> <td>0</td> <td>R/W</td> </tr> <tr> <td>2</td> <td>PF2DR</td> <td>0</td> <td>R/W</td> </tr> <tr> <td>1</td> <td>PF1DR*</td> <td>0</td> <td>R/W</td> <td></td> </tr> <tr> <td>0</td> <td>PF0DR*</td> <td>0</td> <td>R/W</td> <td></td> </tr> </tbody> </table>	Bit	Bit Name	Initial Value	R/W	Description	7	—	0	R/W	Reserved Only 0 should be written to this bit.	6	PF6DR	0	R/W	Output data for a pin is stored when the pin function is specified to a general I/O port.	5	PF5DR	0	R/W	4	PF4DR	0	R/W	3	PF3DR	0	R/W	2	PF2DR	0	R/W	1	PF1DR*	0	R/W		0	PF0DR*	0	R/W	
Bit	Bit Name	Initial Value	R/W	Description																																							
7	—	0	R/W	Reserved Only 0 should be written to this bit.																																							
6	PF6DR	0	R/W	Output data for a pin is stored when the pin function is specified to a general I/O port.																																							
5	PF5DR	0	R/W																																								
4	PF4DR	0	R/W																																								
3	PF3DR	0	R/W																																								
2	PF2DR	0	R/W																																								
1	PF1DR*	0	R/W																																								
0	PF0DR*	0	R/W																																								
		Note: * In the H8S/2282 Group these bits are reserved. Undefined values are output when they are read.																																									
7.8.3 Port F Register (PORTF)	139	Description amended and note added																																									
		<table border="1"> <thead> <tr> <th>Bit</th> <th>Bit Name</th> <th>Initial Value</th> <th>R/W</th> <th>Description</th> </tr> </thead> <tbody> <tr> <td>7</td> <td>PF7</td> <td>Undefined<sup>*1</sup></td> <td>R</td> <td rowspan="9">If a port F read is performed while PFDDR bits are set to 1, the PFDR values are read. If a port F read is performed while PFDDR bits are cleared to 0, the pin states are read.</td> </tr> <tr> <td>6</td> <td>PF6</td> <td>Undefined<sup>*1</sup></td> <td>R</td> </tr> <tr> <td>5</td> <td>PF5</td> <td>Undefined<sup>*1</sup></td> <td>R</td> </tr> <tr> <td>4</td> <td>PF4</td> <td>Undefined<sup>*1</sup></td> <td>R</td> </tr> <tr> <td>3</td> <td>PF3</td> <td>Undefined<sup>*1</sup></td> <td>R</td> </tr> <tr> <td>2</td> <td>PF2</td> <td>Undefined<sup>*1</sup></td> <td>R</td> </tr> <tr> <td>1</td> <td>PF1<sup>*2</sup></td> <td>Undefined<sup>*3</sup></td> <td>R</td> </tr> <tr> <td>0</td> <td>PF0<sup>*2</sup></td> <td>Undefined<sup>*3</sup></td> <td>R</td> </tr> </tbody> </table>	Bit	Bit Name	Initial Value	R/W	Description	7	PF7	Undefined <sup>*1</sup>	R	If a port F read is performed while PFDDR bits are set to 1, the PFDR values are read. If a port F read is performed while PFDDR bits are cleared to 0, the pin states are read.	6	PF6	Undefined <sup>*1</sup>	R	5	PF5	Undefined <sup>*1</sup>	R	4	PF4	Undefined <sup>*1</sup>	R	3	PF3	Undefined <sup>*1</sup>	R	2	PF2	Undefined <sup>*1</sup>	R	1	PF1 <sup>*2</sup>	Undefined <sup>*3</sup>	R	0	PF0 <sup>*2</sup>	Undefined <sup>*3</sup>	R			
Bit	Bit Name	Initial Value	R/W	Description																																							
7	PF7	Undefined <sup>*1</sup>	R	If a port F read is performed while PFDDR bits are set to 1, the PFDR values are read. If a port F read is performed while PFDDR bits are cleared to 0, the pin states are read.																																							
6	PF6	Undefined <sup>*1</sup>	R																																								
5	PF5	Undefined <sup>*1</sup>	R																																								
4	PF4	Undefined <sup>*1</sup>	R																																								
3	PF3	Undefined <sup>*1</sup>	R																																								
2	PF2	Undefined <sup>*1</sup>	R																																								
1	PF1 <sup>*2</sup>	Undefined <sup>*3</sup>	R																																								
0	PF0 <sup>*2</sup>	Undefined <sup>*3</sup>	R																																								
		Notes: 1. Determined by the states of pins PF7 to PF0. 2. In the H8S/2282 Group these bits are reserved. Undefined values are output when they are read.																																									
7.8.4 H8S/2282 Group and H8S/2280 Group (HD64F2280B) Pin Functions	140 141	Title amended <ul style="list-style-type: none"> <li>PF1 (H8S/2280 Group (HD64F2280B) only)</li> <li>PF0/IRQ2 (H8S/2280 Group (HD64F2280B) only)</li> </ul> Description added																																									
7.8.5 H8S/2280 Group (HD64F2280RB) Pin Functions	142, 143	Section 7.8.5 added																																									
10.3.9 Bit Rate Register (BRR)	256	Table 10.2 amended																																									
Table 10.2 The Relationships between the N Setting in BRR and Bit Rate B		<table border="1"> <thead> <tr> <th>Mode</th> <th>Bit Rate</th> <th>Error</th> </tr> </thead> <tbody> <tr> <td>Smart Card Interface Mode</td> <td><math display="block">B = \frac{\phi \times 10^6}{S \times 2^{2n+1} \times (N+1)}</math></td> <td><math display="block">\text{Error (\%)} = \left\{ \frac{\phi \times 10^6}{B \times S \times 2^{2n+1} \times (N+1)} - 1 \right\} \times 100</math></td> </tr> </tbody> </table>	Mode	Bit Rate	Error	Smart Card Interface Mode	$B = \frac{\phi \times 10^6}{S \times 2^{2n+1} \times (N+1)}$	$\text{Error (\%)} = \left\{ \frac{\phi \times 10^6}{B \times S \times 2^{2n+1} \times (N+1)} - 1 \right\} \times 100$																																			
Mode	Bit Rate	Error																																									
Smart Card Interface Mode	$B = \frac{\phi \times 10^6}{S \times 2^{2n+1} \times (N+1)}$	$\text{Error (\%)} = \left\{ \frac{\phi \times 10^6}{B \times S \times 2^{2n+1} \times (N+1)} - 1 \right\} \times 100$																																									



Item	Page	Revisions (See Manual for Details)						
10.9.5 SCI Operations during Mode Transitions	303 to 306	Section 10.9.5 added						
10.9.6 Notes when Switching from SCK Pin to Port Pin	307, 308	Section 10.9.6 added						
Section 11 Controller Area Network (HCAN) [H8S/2282 Group Only]	309	Section title amended and note added <b>Note:</b> This function is not implemented in the H8S/2280 Group.						
12.1 Features	359	Description amended <ul style="list-style-type: none"> <li>Maximum eight input channels (six channels for the HD64F2280RB)</li> </ul>						
Figure 12.1 Block Diagram of A/D Converter	360	Note added <div data-bbox="455 592 677 970" data-label="Diagram"> </div> <p><b>Note:</b> * The HD64F2280RB does not have these pins.</p>						
12.2 Input/Output Pins	361	Note added <table border="1" data-bbox="455 1070 856 1177"> <thead> <tr> <th>Pin Name</th> <th>Symbol</th> </tr> </thead> <tbody> <tr> <td>Analog input pin 0*</td> <td>AN0</td> </tr> <tr> <td>Analog input pin 1*</td> <td>AN1</td> </tr> </tbody> </table> <p><b>Note:</b> * The HD64F2280RB does not have these pins.</p>	Pin Name	Symbol	Analog input pin 0*	AN0	Analog input pin 1*	AN1
Pin Name	Symbol							
Analog input pin 0*	AN0							
Analog input pin 1*	AN1							
Table 12.1 Pin Configuration								

Item	Page	Revisions (See Manual for Details)
------	------	------------------------------------

12.3.1	A/D Data Registers A to D (ADDRA to ADDR D)	362	Note added
--------	---	-----	------------

Table 12.2 Analog Input Channels and Corresponding ADDR Registers

Analog Input Channel	
Group 0 (CH2 = 0)	Group 1 (CH2 = 1)
AN0 <sup>※</sup>	AN4
AN1 <sup>※</sup>	AN5

Note: \* The HD64F2280RB does not have these pins.

12.3.2	A/D Control/ Status Register (ADCSR)	364	Note added
--------	--------------------------------------	-----	------------

Bit	Bit Name	Initial Value	R/W	Description
2	CH2	0	R/W	Channel Select 2 to 0
1	CH1	0	R/W	Select analog input channels.
0	CH0	0	R/W	When SCAN = 0
				When SCAN = 1
				000: AN0 <sup>※</sup>
				001: AN1 <sup>※</sup>
				010: AN2
				011: AN3
				100: AN4
				101: AN5
				110: AN6
				111: AN7

Note: 2. AN0 and AN1 are not implemented in the HD64F2280RB. Care is therefore essential when using them. If the value of SCAN is 1 and the setting of these bits is 010 or 011, the conversion data stored in ADDR A and ADDR B will become undefined.

14.1	Features	395	<ul style="list-style-type: none"> <li>Display capacity</li> </ul>
------	----------	-----	--

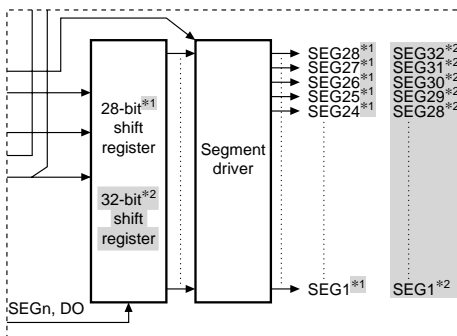
Description amended

Duty Cycle	Internal Driver	
	H8S/2282 Group, HD64F2280B	HD64F2280RB
Static	28 SEG	32 SEG
1/3	28 SEG	32 SEG
1/4	28 SEG	32 SEG

Item	Page	Revisions (See Manual for Details)
------	------	------------------------------------

14.1 Features	396	Figure amended and note added
---------------	-----	-------------------------------

Figure 14.1 Block Diagram of LCD Controller/Driver



Notes: 1. H8S/2282 Group or HD64F2280B  
2. HD64F2280RB

14.2 Input/Output Pins	397	Table amended and note added
------------------------	-----	------------------------------

Table 14.1 Pin Configuration

Name	Abbrev.
Segment output pins	SEG32 to SEG1*

Note: \* SEG28 to SEG1 in the H8S/2282 Group or HD64F2280B.

14.3.1 LCD Port Control Register (LPCR)	399	Table title amended
---	-----	---------------------

Table 14.3 (1)  
Selection of Segment Drivers (H8S/2282 Group or HD64F2280B)

Table 14.3 (2) Selection of Segment Drivers (HD64F2280RB)	399	Table added
--	-----	-------------

Table 14.3 (2)  
Selection of Segment Drivers (HD64F2280RB)

				Function of Pins SEG32 to SEG1							
Bit 3: SGS3	Bit 2: SGS2	Bit 1: SGS1	Bit 0: SGS0	SEG32 to SEG25	SEG24 to SEG21	SEG20 to SEG17	SEG16 to SEG13	SEG12 to SEG9	SEG8 to SEG5	SEG4 to SEG1	
0	0	0	0	Port	Port	Port	Port	Port	Port	Port	
			1	SEG	Port	Port	Port	Port	Port	Port	
		1	0	SEG	SEG	Port	Port	Port	Port	Port	
		1	1	SEG	SEG	SEG	Port	Port	Port	Port	
	1	0	0	SEG	SEG	SEG	SEG	Port	Port	Port	
		1	0	SEG	SEG	SEG	SEG	SEG	Port	Port	
		1	1	SEG	SEG	SEG	SEG	SEG	SEG	Port	
			1	SEG	SEG	SEG	SEG	SEG	SEG	SEG	
1	X	X	X	Setting prohibited	Setting prohibited	Setting prohibited	Setting prohibited	Setting prohibited	Setting prohibited	Setting prohibited	

[Legend]  
X: Don't care

Item	Page	Revisions (See Manual for Details)																										
14.4.2 Relationship between LCD RAM and Display	403	Subheading added H8S/2282 Group or HD64F2280B																										
	405 to 406	HD64F2280RB Description added																										
14.5 Usage Notes	411	Section 14.5 added																										
Section 15 RAM	413	Description amended and product added The H8S/2282 Group has 4 kbytes, and the H8S/2280 Group 2 kbytes, of on-chip high-speed static RAM.																										
<table border="1"> <thead> <tr> <th>Product Type Name</th> <th>ROM Type</th> <th>RAM Capacitance</th> <th>RAM Address</th> </tr> </thead> <tbody> <tr> <td rowspan="3">H8S/2282 Group</td> <td>HD64F2282</td> <td>Flash memory version</td> <td>4 kbytes</td> <td>H'FFE000 to H'FFEFBF, H'FFFFC0 to H'FFFFFF</td> </tr> <tr> <td>HD6432282</td> <td>Mask ROM version</td> <td>4 kbytes</td> <td>H'FFE000 to H'FFEFBF, H'FFFFC0 to H'FFFFFF</td> </tr> <tr> <td>HD6432281</td> <td></td> <td>4 kbytes</td> <td>H'FFE000 to H'FFEFBF, H'FFFFC0 to H'FFFFFF</td> </tr> <tr> <td rowspan="2">H8S/2280 Group</td> <td>HD64F2280RB</td> <td>Flash memory version</td> <td>2 kbytes</td> <td>H'FFE800 to H'FFEFBF, H'FFFFC0 to H'FFFFFF</td> </tr> <tr> <td>HD64F2280B</td> <td></td> <td>2 kbytes</td> <td>H'FFE800 to H'FFEFBF, H'FFFFC0 to H'FFFFFF</td> </tr> </tbody> </table>			Product Type Name	ROM Type	RAM Capacitance	RAM Address	H8S/2282 Group	HD64F2282	Flash memory version	4 kbytes	H'FFE000 to H'FFEFBF, H'FFFFC0 to H'FFFFFF	HD6432282	Mask ROM version	4 kbytes	H'FFE000 to H'FFEFBF, H'FFFFC0 to H'FFFFFF	HD6432281		4 kbytes	H'FFE000 to H'FFEFBF, H'FFFFC0 to H'FFFFFF	H8S/2280 Group	HD64F2280RB	Flash memory version	2 kbytes	H'FFE800 to H'FFEFBF, H'FFFFC0 to H'FFFFFF	HD64F2280B		2 kbytes	H'FFE800 to H'FFEFBF, H'FFFFC0 to H'FFFFFF
Product Type Name	ROM Type	RAM Capacitance	RAM Address																									
H8S/2282 Group	HD64F2282	Flash memory version	4 kbytes	H'FFE000 to H'FFEFBF, H'FFFFC0 to H'FFFFFF																								
	HD6432282	Mask ROM version	4 kbytes	H'FFE000 to H'FFEFBF, H'FFFFC0 to H'FFFFFF																								
	HD6432281		4 kbytes	H'FFE000 to H'FFEFBF, H'FFFFC0 to H'FFFFFF																								
H8S/2280 Group	HD64F2280RB	Flash memory version	2 kbytes	H'FFE800 to H'FFEFBF, H'FFFFC0 to H'FFFFFF																								
	HD64F2280B		2 kbytes	H'FFE800 to H'FFEFBF, H'FFFFC0 to H'FFFFFF																								
Section 16 Flash Memory (F-ZTAT Version)	415 to 440	Section title amended [H8S/2282 Group]																										
Section 17 Flash Memory (F-ZTAT Version)	441 to 460	Section 17 added [H8S/2280 Group]																										
Section 20 Power-Down Modes	476	Note added																										
Table 20.2 LSI Internal States in Each Mode		<table border="1"> <thead> <tr> <th>Function</th> <th>High-Speed</th> </tr> </thead> <tbody> <tr> <td>Peripheral functions</td> <td>Functioning</td> </tr> <tr> <td>SCI_0</td> <td></td> </tr> <tr> <td>SCI_1</td> <td></td> </tr> <tr> <td>RWM</td> <td></td> </tr> <tr> <td>HCAN*</td> <td></td> </tr> <tr> <td>A/D</td> <td></td> </tr> </tbody> </table>	Function	High-Speed	Peripheral functions	Functioning	SCI_0		SCI_1		RWM		HCAN*		A/D													
Function	High-Speed																											
Peripheral functions	Functioning																											
SCI_0																												
SCI_1																												
RWM																												
HCAN*																												
A/D																												
<p>Note: * This function is not implemented in the H8S/2280 Group.</p>																												

Item	Page	Revisions (See Manual for Details)										
20.1.3 Module Stop Control Registers A to D (MSTPCRA to MSTPCRD)	482	<p>Note added</p> <ul style="list-style-type: none"> <li>MSTPCRC</li> </ul> <table border="1"> <thead> <tr> <th>Bit</th> <th>Bit Name</th> <th>Initial Value</th> <th>R/W</th> <th>Module</th> </tr> </thead> <tbody> <tr> <td>3</td> <td>MSTPC3</td> <td>1</td> <td>R/W</td> <td>Controller Area Network (HCAN)<sup>※</sup></td> </tr> </tbody> </table> <p>Note: 2. This function is not implemented in the H8S/2280 Group.</p>	Bit	Bit Name	Initial Value	R/W	Module	3	MSTPC3	1	R/W	Controller Area Network (HCAN) <sup>※</sup>
Bit	Bit Name	Initial Value	R/W	Module								
3	MSTPC3	1	R/W	Controller Area Network (HCAN) <sup>※</sup>								
20.4.1 Transition to Software Standby Mode	485	<p>Note added</p> <p>... However, the contents of the CPU's internal registers, on-chip RAM data, and the states of on-chip peripheral modules other than the SCI, PWM, HCAN<sup>※</sup>, and A/D converter, and the states of I/O ports, are retained. ...</p> <p>Note: * This function is not implemented in the H8S/2280 Group.</p>										
20.6 Module Stop Mode	490	<p>Note added</p> <p>... In module stop mode, the internal states of modules other than the SCI (some SCI registers are retained), PWM, HCAN<sup>※</sup>, and A/D converter are retained. ...</p> <p>Note: * This function is not implemented in the H8S/2280 Group.</p>										
20.7.1 Transition to Watch Mode	491	<p>Note added</p> <p>... The contents of the CPU's internal registers, on-chip RAM data, and the states of on-chip peripheral modules other than the SCI, PWM, HCAN<sup>※</sup>, and A/D converter, and the states of I/O ports, are retained.</p> <p>Note: * This function is not implemented in the H8S/2280 Group.</p>										
20.8.1 Transition to Subsleep Mode	492	<p>Note added</p> <p>... The contents of the CPU's internal registers, on-chip RAM data, and the states of on-chip peripheral modules other than the SCI, PWM, HCAN<sup>※</sup>, and A/D converter, and the states of I/O ports, are retained.</p> <p>Note: * This function is not implemented in the H8S/2280 Group.</p>										

Item	Page	Revisions (See Manual for Details)								
21.1 Register Addresses (Address Order)	498 to 506, 508, 511	<p>Note added</p> <p>HCAN<sup>*2</sup></p> <p>RAMER<sup>*2</sup></p> <p>EBR2<sup>*2</sup></p> <p>Note: 2. In the H8S/2280 Group this register is reserved.</p>								
21.2 Register Bits	512 to 520, 523, 525	<p>Notes amended</p> <p>HCAN<sup>*2</sup></p> <p>RAMER<sup>*2</sup></p> <p>EBR2<sup>*2</sup></p>								
	522	<p>Table amended and note added</p> <table border="1"> <thead> <tr> <th>Register Abbrev.</th> <th>Bit 1</th> <th>Bit 0</th> <th>Module</th> </tr> </thead> <tbody> <tr> <td>PFDDR</td> <td>PF1DDR<sup>*3</sup></td> <td>PF0DDR<sup>*3</sup></td> <td>PORT</td> </tr> </tbody> </table>	Register Abbrev.	Bit 1	Bit 0	Module	PFDDR	PF1DDR <sup>*3</sup>	PF0DDR <sup>*3</sup>	PORT
Register Abbrev.	Bit 1	Bit 0	Module							
PFDDR	PF1DDR <sup>*3</sup>	PF0DDR <sup>*3</sup>	PORT							
	523	<table border="1"> <thead> <tr> <th>Register Abbrev.</th> <th>Bit 1</th> <th>Bit 0</th> <th>Module</th> </tr> </thead> <tbody> <tr> <td>PFDR</td> <td>PF1DR<sup>*3</sup></td> <td>PF0DR<sup>*3</sup></td> <td>PORT</td> </tr> </tbody> </table>	Register Abbrev.	Bit 1	Bit 0	Module	PFDR	PF1DR <sup>*3</sup>	PF0DR <sup>*3</sup>	PORT
Register Abbrev.	Bit 1	Bit 0	Module							
PFDR	PF1DR <sup>*3</sup>	PF0DR <sup>*3</sup>	PORT							
	526	<table border="1"> <thead> <tr> <th>Register Abbrev.</th> <th>Bit 1</th> <th>Bit 0</th> <th>Module</th> </tr> </thead> <tbody> <tr> <td>PORTF</td> <td>PF1<sup>*3</sup></td> <td>PF0<sup>*3</sup></td> <td>PORT</td> </tr> </tbody> </table> <p>Notes: 1. Some bit functions differ in normal serial communication interface mode and Smart Card interface mode. The bit functions in Smart Card interface mode are enclosed in parentheses.</p> <p>2. In the H8S/2280 Group this register is reserved.</p> <p>3. In the H8S/2282 Group this register is reserved.</p>	Register Abbrev.	Bit 1	Bit 0	Module	PORTF	PF1 <sup>*3</sup>	PF0 <sup>*3</sup>	PORT
Register Abbrev.	Bit 1	Bit 0	Module							
PORTF	PF1 <sup>*3</sup>	PF0 <sup>*3</sup>	PORT							
21.3 Register States in Each Operating Mode	527 to 535, 537, 539	<p>Note added</p> <p>HCAN<sup>*</sup></p> <p>RAMER<sup>*</sup></p> <p>EBR2<sup>*</sup></p> <p>Note: * In the H8S/2280 Group this register is reserved.</p>								

Item	Page	Revisions (See Manual for Details)																
22.2 DC Characteristics	542 to 544	Note added																
Table 22.2 DC Characteristics		<table border="1"> <thead> <tr> <th>Item</th> <th>Symbol</th> <th>Pins</th> <th>Test Condition</th> </tr> </thead> <tbody> <tr> <td>Input high voltage</td> <td></td> <td>SCK0, SCK1, RxD0, RxD1, HRxD<sup>*4</sup></td> <td></td> </tr> <tr> <td>Input low voltage</td> <td></td> <td>SCK0, SCK1, RxD0, RxD1, HRxD<sup>*4</sup></td> <td></td> </tr> <tr> <td>Input leakage current</td> <td></td> <td>STBY, NMI, MD2, MD0, FWE, HRxD<sup>*4</sup></td> <td></td> </tr> </tbody> </table> <p>Note: 4. This function is not implemented in the H8S/2280 Group.</p>	Item	Symbol	Pins	Test Condition	Input high voltage		SCK0, SCK1, RxD0, RxD1, HRxD <sup>*4</sup>		Input low voltage		SCK0, SCK1, RxD0, RxD1, HRxD <sup>*4</sup>		Input leakage current		STBY, NMI, MD2, MD0, FWE, HRxD <sup>*4</sup>	
Item	Symbol	Pins	Test Condition															
Input high voltage		SCK0, SCK1, RxD0, RxD1, HRxD <sup>*4</sup>																
Input low voltage		SCK0, SCK1, RxD0, RxD1, HRxD <sup>*4</sup>																
Input leakage current		STBY, NMI, MD2, MD0, FWE, HRxD <sup>*4</sup>																
22.3.3 Timing of On-Chip Supporting Modules	551	Note added																
Table 22.6 Timing of On-Chip Supporting Modules		<p>Note: * The HCAN input signal is asynchronous. However, its state is judged to have changed at the rising-edge (two clock cycles) of the system clock signal (<math>\phi</math>) shown in figure 22.12. The HCAN output signal is also asynchronous. Its state changes are based on the rising-edge (two clock cycles) of the system clock signal (<math>\phi</math>) shown in figure 22.12.</p> <p>This function is not implemented in the H8S/2280 Group.</p>																
22.6 LCD Characteristics	558	Table amended																
Table 22.9 LCD Characteristics		<table border="1"> <thead> <tr> <th>Item</th> <th>Symbol</th> <th>Pins</th> <th>Test Condition</th> </tr> </thead> <tbody> <tr> <td>Segment driver step-down voltage</td> <td><math>V_{DS}</math></td> <td>SEG1 to SEG28 (H8S/2282 Group, HD64F2280B)</td> <td rowspan="2">ID = 2 <math>\mu</math>A</td> </tr> <tr> <td></td> <td></td> <td>SEG1 to SEG32 (HD64F2280RB)</td> </tr> </tbody> </table>	Item	Symbol	Pins	Test Condition	Segment driver step-down voltage	$V_{DS}$	SEG1 to SEG28 (H8S/2282 Group, HD64F2280B)	ID = 2 $\mu$ A			SEG1 to SEG32 (HD64F2280RB)					
Item	Symbol	Pins	Test Condition															
Segment driver step-down voltage	$V_{DS}$	SEG1 to SEG28 (H8S/2282 Group, HD64F2280B)	ID = 2 $\mu$ A															
		SEG1 to SEG32 (HD64F2280RB)																

Item	Page	Revisions (See Manual for Details)
------	------	------------------------------------

A. I/O Port States in Each Pin State	559	Notes added
--------------------------------------	-----	-------------

Port Name	MCU Operating Mode	Reset	Hardware Standby Mode	Software Standby Mode	Subactive Mode	Program Execution State Sleep Mode
PF6	7	T	T	Keep	I/O port	I/O port
PF5						
PF4						
PF3						
PF2						
PF1 <sup>81</sup>						
PF0 <sup>81</sup>						
Port H	7	T	T	Keep	I/O port	I/O port
Port J	7	T	T	Keep	I/O port	I/O port
HTxD <sup>82</sup>	7	H	T	H	H	Output
HRxD <sup>82</sup>	7	Input	T	T	T	Input

Notes: 1. This function is not implemented in the H8S/2282 Group.

2. This function is not implemented in the H8S/2280 Group.

B. Product Lineup	560	Product added
-------------------	-----	---------------

Product	Type Name	Model Marking	Package (Code)
H8S/2282	F-ZTAT version	HD64F2282	HD64F2282 100-pin QFP (FP-100A)
	Mask ROM version	HD6432282	HD6432282(***), 100-pin QFP (FP-100A)
H8S/2281	Mask ROM version	HD6432281	HD6432281(***), 100-pin QFP (FP-100A)
H8S/2280B	F-ZTAT version	HD64F2280B	HD64F2280 100-pin QFP (FP-100A)
H8S/2280RB	F-ZTAT version	HD64F2280RB	HD64F2280R 100-pin QFP (FP-100A)

C. Package Dimensions	561	Figure C.1 replaced
-----------------------	-----	---------------------

Figure C.1 FP-100A Package Dimensions



# Index

16-Bit Timer Pulse Unit (TPU) .....	155	Condition-Code Register (CCR) .....	32
Buffer Operation .....	190	Controller Area Network (HCAN).....	309
Buffer Operation Timing .....	211	CAN Bus Interface .....	354
Counter Operation.....	182	Hardware Reset .....	337
Input Capture Function .....	186	HCAN Halt Mode .....	353
Input Capture Signal Timing .....	209	HCAN Sleep Mode .....	350
Output Compare Output Timing .....	209	Message Reception.....	346
Phase Counting Mode.....	198	Message Transmission .....	343
PWM Modes .....	194	Software Reset .....	337
Synchronous Operation.....	187	data direction register (DDR).....	99
TCNT Count Timing.....	208	data register (DR).....	99
Waveform Output by Compare		Effective Address.....	49, 52
Match .....	184	Effective Address Extension .....	48
A/D Converter .....	359	Exception Handling.....	63
A/D Conversion Time.....	367	Interrupts .....	69
Analog Input Channel.....	362	Reset Exception Handling .....	65
External Trigger.....	369	Stack Status .....	71
Scan Mode .....	366	Traces.....	68
Single Mode.....	366	Trap Instruction.....	70
Address Map .....	60	Exception Handling Vector Table.....	64
Address Space.....	28	Extended Control Register (EXR).....	31
Addressing Modes .....	49	flash memory.....	415
Absolute Address.....	50	Boot Mode .....	427
Immediate .....	51	Emulation .....	430
Memory Indirect .....	51	Erase/Erase-Verify .....	435
Program-Counter Relative .....	51	erasing units .....	420
Register Direct .....	49	Program/Program-Verify .....	433
Register Indirect.....	49	User Program Mode .....	429
Register Indirect with Displacement.....	50	General Registers .....	30
Register indirect with post-increment... 50		IC card (Smart Card) interface.....	241, 289
Register indirect with pre-decrement.... 50		Instruction Set .....	37
Bcc .....	45	Arithmetic Operations Instructions .....	40
bus cycle .....	95	Bit Manipulation Instructions.....	43
Clock Pulse Generator .....	463		
Condition Field .....	48		

Block Data Transfer Instructions .....	47	On-Board Programming .....	450
Branch Instructions .....	45	On-Board Programming Modes .....	426
Data Transfer Instructions .....	39	open-drain control register (ODR) .....	99
Logic Operations Instructions .....	42	Operating Mode Selection .....	57
Shift Instructions .....	42	Operation Field .....	48
System Control Instructions .....	46		
Interrupt		Power-Down Modes .....	473
ADI .....	369	Direct Transitions .....	494
CMI .....	393	Hardware Standby Mode .....	488
ERI .....	300	Medium-Speed Mode .....	483
ERS0 .....	354	Module Stop Mode .....	490
NMI .....	81	Sleep Mode .....	484
OVR0 .....	354	Software Standby Mode .....	485
RM0 .....	354	Subactive Mode .....	493
RM1 .....	354	Subsleep Mode .....	492
RXI .....	300	Watch Mode .....	491
SLE0 .....	354	Program Counter (PC) .....	31
TCI .....	206	Program/Erase Protection .....	437, 459
TEI .....	300	Programmer Mode .....	438, 460
TGI .....	206		
TXI .....	300	Register Field .....	48
WOVI .....	237	Registers	
Interrupt Control Modes .....	84	ABACK .....	321, 498, 512, 527
Interrupt Controller .....	73	ADCR .....	365, 511, 525, 539
Interrupt Exception Handling		ADCSR .....	363, 511, 525, 539
Vector Table .....	82	ADDR .....	362, 510, 525, 539
Interrupt Mask Bit .....	32	BCR .....	315, 498, 512, 527
		BRR .....	256, 510, 524, 538
LCD Controller/Driver (LCD) .....	395	EBR1 .....	423, 449, 511, 525, 539
Common Drivers .....	398	EBR2 .....	424, 511, 525, 539
Duty Cycle .....	395	FLMCR1 .....	421, 447, 511, 525, 539
LCD Display .....	402	FLMCR2 .....	423, 449, 511, 525, 539
LCD RAM .....	403	FLPWCR .....	425, 450, 511, 525, 539
Segment Drivers .....	399	GSR .....	313, 498, 512, 527
memory cycle .....	95	IER .....	77, 507, 522, 536
Motor Control PWM Timer (PWM) .....	375	IMR .....	329, 498, 512, 527
PWM Channel 1 .....	391	IPR .....	76, 508, 523, 536
PWM Channel 2 .....	392	IRR .....	324, 498, 512, 527
		ISCR .....	78, 507, 522, 536
		ISR .....	80, 507, 522, 536

LAFM .....	331, 498, 513, 527	PORTD .....	136, 511, 526, 539
LCR.....	400, 507, 522, 536	PORTF .....	139, 511, 526, 539
LCR2.....	401, 507, 522, 536	PORTH .....	145, 507, 521, 535
LPCR .....	398, 507, 522, 536	PORTJ.....	149, 507, 521, 535
LPWRCR.....	479, 507, 522, 536	PWBFR.....	386, 506, 521, 535
MBCR.....	317, 498, 512, 527	PWCNT.....	382
MBIMR.....	328, 498, 512, 527	PWCR .....	380, 506, 521, 535
MC .....	334, 498, 513, 527	PWCYR .....	383, 506, 521, 535
MCR .....	312, 498, 512, 527	PWDTR.....	383
MD.....	336, 502, 517, 531	PWOCR .....	381, 506, 521, 535
MDCR.....	58, 507, 522, 536	PWPR.....	382, 506, 521, 535
MSTPCR.....	481, 507, 522, 536	RAMER .....	424, 508, 523, 537
P1DDR.....	106, 508, 522, 536	RDR .....	244, 510, 525, 538
P1DR .....	107, 508, 523, 537	REC.....	330, 498, 512, 527
P3DDR.....	116, 508, 522, 536	RFPR.....	323, 498, 512, 527
P3DR .....	117, 508, 523, 537	RSR.....	244
P3ODR.....	118, 508, 522, 536	RSTCSR.....	234, 510, 524, 538
PADDR.....	123, 508, 522, 536	RXPR.....	322, 498, 512, 527
PADR.....	124, 508, 523, 537	SBYCR.....	477, 507, 522, 536
PAODR.....	125, 508, 522, 536	SCKCR.....	464, 507, 522, 536
PBDDR.....	127, 508, 522, 536	SCMR .....	255, 510, 525, 538
PBDR.....	128, 509, 523, 537	SCR.....	248, 510, 524, 538
PBODR.....	129, 508, 522, 536	SMR.....	245, 510, 524, 538
PCDDR.....	131, 508, 522, 536	SSR .....	251, 510, 525, 538
PCDR.....	132, 509, 523, 537	SYSCR.....	58, 507, 522, 536
PCODR.....	133, 508, 522, 536	TCNT .....	180, 509, 523, 537
PDDDR.....	135, 508, 522, 536	TCR.....	160, 509, 523, 537
PDDR.....	135, 509, 523, 537	TCSR.....	230, 510, 524, 538
PFDDR .....	138, 508, 522, 536	TDR.....	244, 510, 524, 538
PFDR .....	139, 509, 523, 537	TEC.....	330, 498, 512, 527
PHDDR.....	144, 507, 521, 535	TGR.....	180, 509, 523, 537
PHDR.....	145, 507, 521, 535	TIER.....	175, 509, 523, 537
PJDDR.....	148, 507, 521, 535	TIOR .....	166, 509, 523, 537
PJDR.....	149, 507, 521, 535	TMDR.....	164, 509, 523, 537
PORT1.....	107, 511, 526, 539	TRPRT .....	152, 507, 521, 535
PORT3.....	117, 511, 526, 539	TSR.....	177, 509, 523, 537
PORT4.....	121, 511, 526, 539	TSTR.....	180, 508, 522, 536
PORTA .....	124, 511, 526, 539	TSYR .....	181, 508, 522, 536
PORTB .....	128, 511, 526, 539	TXACK.....	320, 498, 512, 527
PORTC .....	132, 511, 526, 539	TXCR.....	319, 498, 512, 527

---

TXPR.....	318, 498, 512, 527	Break.....	302
UMSR.....	331, 498, 512, 527	Clocked Synchronous Mode.....	280
Reset.....	65	framing error.....	270
ROM.....	441	Mark State.....	302
Boot Mode.....	451	Multiprocessor Communication	
Erase/Erase-Verify.....	457	Function.....	274
Erasing units.....	446	overrun error.....	270
Program/Program-Verify.....	455	parity error.....	270
Programming units.....	446	stack pointer (SP).....	30
Programming/Erasing in User Program			
Mode.....	453	Watchdog Timer.....	227
Serial Communication Interface (SCI) ...	241	Interval Timer Mode.....	237
Asynchronous Mode.....	263	overflow.....	237
Bit Rate.....	256	Watchdog Timer Mode.....	235

---

**Renesas 16-Bit Single-Chip Microcomputer  
Hardware Manual  
H8S/2282 Group, H8S/2280 Group**

Publication Date: 1st Edition, February 2002  
Rev.3.00, September 26, 2006

Published by: Sales Strategic Planning Div.  
Renesas Technology Corp.

Edited by: Customer Support Department  
Global Strategic Communication Div.  
Renesas Solutions Corp.

Renesas Technology Corp. Sales Strategic Planning Div. Nippon Bldg., 2-6-2, Ohte-machi, Chiyoda-ku, Tokyo 100-0004, Japan

---



## RENESAS SALES OFFICES

<http://www.renesas.com>

---

Refer to "<http://www.renesas.com/en/network>" for the latest and detailed information.

### **Renesas Technology America, Inc.**

450 Holger Way, San Jose, CA 95134-1368, U.S.A  
Tel: <1> (408) 382-7500, Fax: <1> (408) 382-7501

### **Renesas Technology Europe Limited**

Dukes Meadow, Millboard Road, Bourne End, Buckinghamshire, SL8 5FH, U.K.  
Tel: <44> (1628) 585-100, Fax: <44> (1628) 585-900

### **Renesas Technology (Shanghai) Co., Ltd.**

Unit 204, 205, AZIA Center, No.1233 Lujiazui Ring Rd, Pudong District, Shanghai, China 200120  
Tel: <86> (21) 5877-1818, Fax: <86> (21) 6887-7898

### **Renesas Technology Hong Kong Ltd.**

7th Floor, North Tower, World Finance Centre, Harbour City, 1 Canton Road, Tsimshatsui, Kowloon, Hong Kong  
Tel: <852> 2265-6688, Fax: <852> 2730-6071

### **Renesas Technology Taiwan Co., Ltd.**

10th Floor, No.99, Fushing North Road, Taipei, Taiwan  
Tel: <886> (2) 2715-2888, Fax: <886> (2) 2713-2999

### **Renesas Technology Singapore Pte. Ltd.**

1 Harbour Front Avenue, #06-10, Keppel Bay Tower, Singapore 098632  
Tel: <65> 6213-0200, Fax: <65> 6278-8001

### **Renesas Technology Korea Co., Ltd.**

Kukje Center Bldg. 18th Fl., 191, 2-ka, Hangang-ro, Yongsan-ku, Seoul 140-702, Korea  
Tel: <82> (2) 796-3115, Fax: <82> (2) 796-2145

### **Renesas Technology Malaysia Sdn. Bhd**

Unit 906, Block B, Menara Amcorp, Amcorp Trade Centre, No.18, Jalan Persiaran Barat, 46050 Petaling Jaya, Selangor Darul Ehsan, Malaysia  
Tel: <603> 7955-9390, Fax: <603> 7955-9510

# H8S/2282 Group, H8S/2280 Group Hardware Manual



Renesas Technology Corp.

2-6-2, Ote-machi, Chiyoda-ku, Tokyo, 100-0004, Japan