

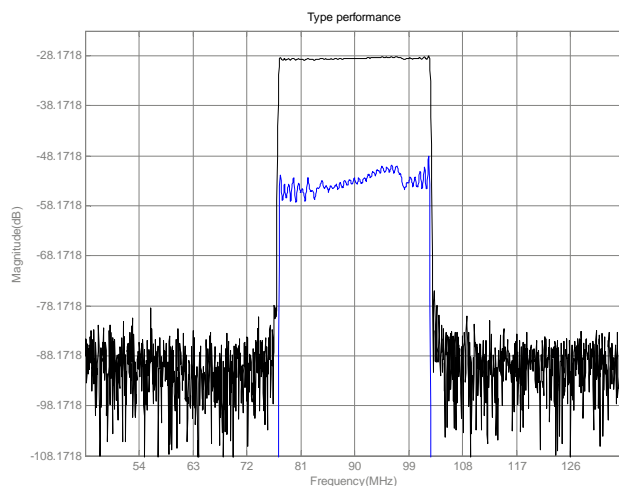


## LBN09005 SAW Filter Electrical Characteristic

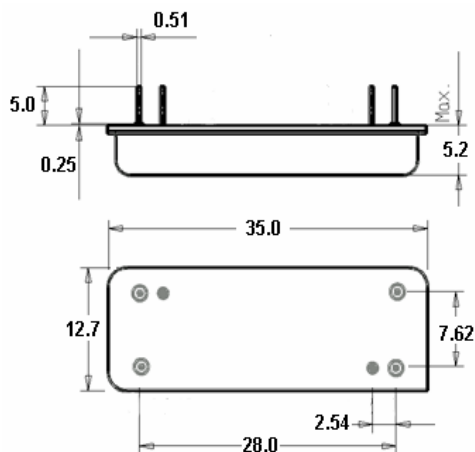
### Specifications

Parameter	Unit	Minimum	Typical	Maximum
Center Frequency	MHz	89.9	90	90.1
Insertion Loss	dB	-	28.5	29
1.5 dB Bandwidth	MHz	25	25.06	-
22.5 dB Bandwidth	MHz	-	25.74	25.8
Passband Variation	db	-	1.2	1.5
Absolute Delay	usec	-	2.962	-
Ultimate Rejection	dB	40	50	-
Substrate Material		128 LiNbO3		
Ambient Temperature	°C	25		
Operation Temperature	°C	-40~85		
Package Size		DIP3512 (35.2x12.7x5.2mm <sup>3</sup> )		

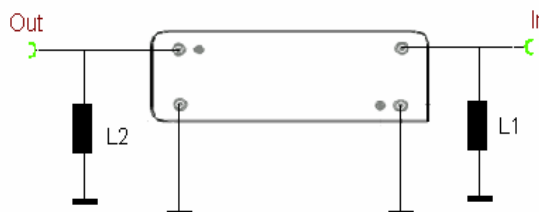
### Typical Performance



### Package Outline



### Matching Configuration



$$L1=L2=120\text{nH}$$

Source/Load Impedance=50 ohm

Notes - Component values may change depending