

P-tec Corp. Tel:(800)688-0613
 2405 Commerce Circle Tel:(719) 589 3122
 Alamosa Co. 81101 Fax:(719) 589 3592
 www.p-tec.net sales@p-tec.net



PL0055 Series SMD LED PLCC-6 Package

Features

- *Flat Lens Package 5.0 x 5.0 x 1.8mm
- *6 AlGaInP Ultra Bright Hyper Red Chips used
- *Very High Luminous Output
- *Wide Viewing Angle
- *1000 pc Reels, 12mm Tape
- *RoHS Compliant

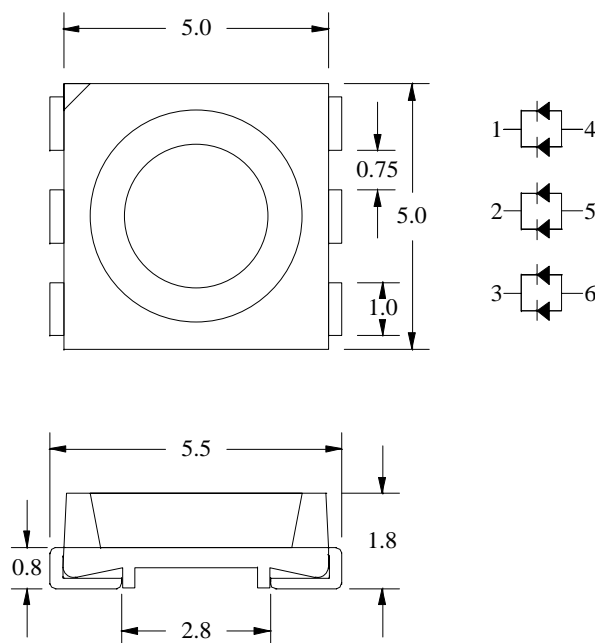
Absolute Maximum Ratings at T_A = 25°C

Power Dissipation.....	120mW
Reverse Voltage (<100μA).....	5.0V
Max Forward Current.....	30mA
Peak Forward Current (1/10 Duty Cycle, 0.1ms Pulse Width).....	100mA
Operating Temperature Range.....	-25°C to +85°C
Storage Temperature Range.....	-40°C to +100°C
Reflow Soldering Temperature.....	260°C for 10 seconds

Electrical & Optical Characteristics at T_A = 25°C

Part Number	Emitting Color	Chip Material	Peak Wave Length	Dominant Wave Length	Viewing Angle 2θ ½	Forward Voltage @40mA (V)		Luminous Intensity @40mA (mcd)	
						Typ	Max	Min	Max
Water Clear Lens			nm	nm	Deg				
PL0055-WC6R35	Orange-Red	AlGaInP	632	625	120°	2.1	2.6	1100	2000

Package Dimensions are in **Millimeters**. Tolerance is ± 0.25mm unless otherwise specified.



Recommended Soldering Pad Layout

