

Position Interlock Switches

Safety Limit Switches

Imp



Description

The Imp offers safety switch performance of bigger units in the most compact case available. Designed with two mounting hole options and a choice of actuator positions, the Imp will fit in the most confined spaces.

Guardmaster limit switches can be used in other applications other than guard doors, for example on moving machine beds, crane arms, etc.

Operation of these limit switches is achieved by the sliding action of the guard or other moving object deflecting the plunger or lever. It is important that upon actuation, the guard or other moving objects should not pass completely over the switch and allow the plunger or lever to return to its original position.

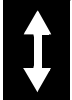
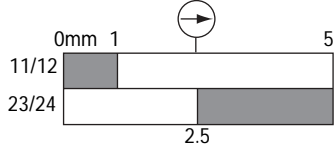
Features

- Positive operation, forced disconnection of contacts
- Contacts, 1 N.C. & 1 N.O.

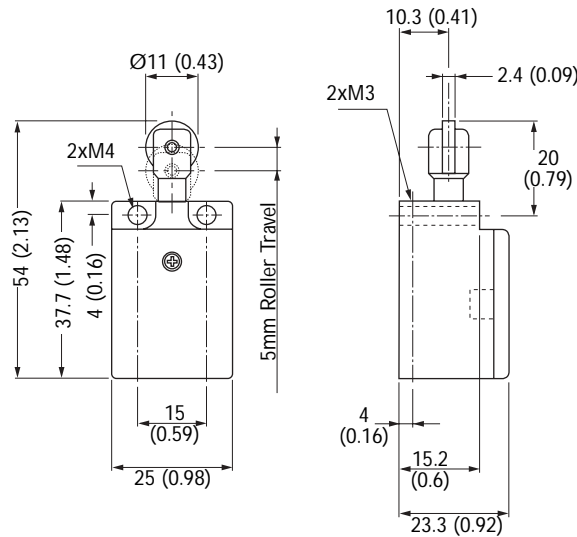
Specifications

Standards	EN954-1, ISO13849-1, IEC/EN60204-1, NFPA79, EN1088, ISO14119, IEC/EN60947-5-1, ANSI B11.19, AS4024.1
Category	Cat. 1 Device per EN954-1 Dual channel interlocks suitable for Cat. 3 or 4 systems
Approvals	CE marked for all applicable directives and CSA NRTL/C
Safety Contacts	1 N.C. positive break
Utilization Category	AC 15
AC (Ue)	500V 250V 100V
(Ie)	1A 2A 5A
DC	250V 0.5A, 24V 2A
Max. Switched Current/ Voltage/Load	500V/500VA
Thermal Current (Ith)	10A
Minimum Current	5V 5mA DC
Safety Contact Gap	>2 x 2mm (0.079in)
Rtd. Insulation Voltage	(Ui) 500V
Rtd. Impulse Withstand Voltage	(Uimp) 2500V
Auxiliary Contacts	1 N.O.
Pollution Degree	3
Actuator Travel for Positive Opening	2.5mm (0.098in)
Break Contact Min. Force	10N (2.25lb)
Maximum Actuator Travel	5mm (0.197in)
Maximum Actuation Speed	160mm (6.29in) per sec
Max. Actuation Frequency	2 Cycle per sec
Case Material	UL approved glass filled polyester
Actuator Material	Acetal
Protection	IP30
Conduit Entry	3x break-outs
Operating Temperature	-25°C to +80°C (-13°F to +176°F)
Mounting	2 x M3 front or 2 x M4 top
Mechanical Life	10,000,000 operations
Electrical Life	1,000,000 operations
Colour	Red

Product Selection

Operator Type		Contact		Contact Action		Conduit	Type	Catalogue Number
				<input type="checkbox"/> Contact Open	<input type="checkbox"/> Contact Closed			
	Top Push Roller	Slow break before make	1 N.O. & 1 N.C.			3x breakouts	Imp 1 (roller parallel to switch front)	440P-M18001
	Top Push Cross Roller			Imp 2 (roller perpendicular to switch front)	440P-M18002			

Dimensions—mm (inches)



Connections

