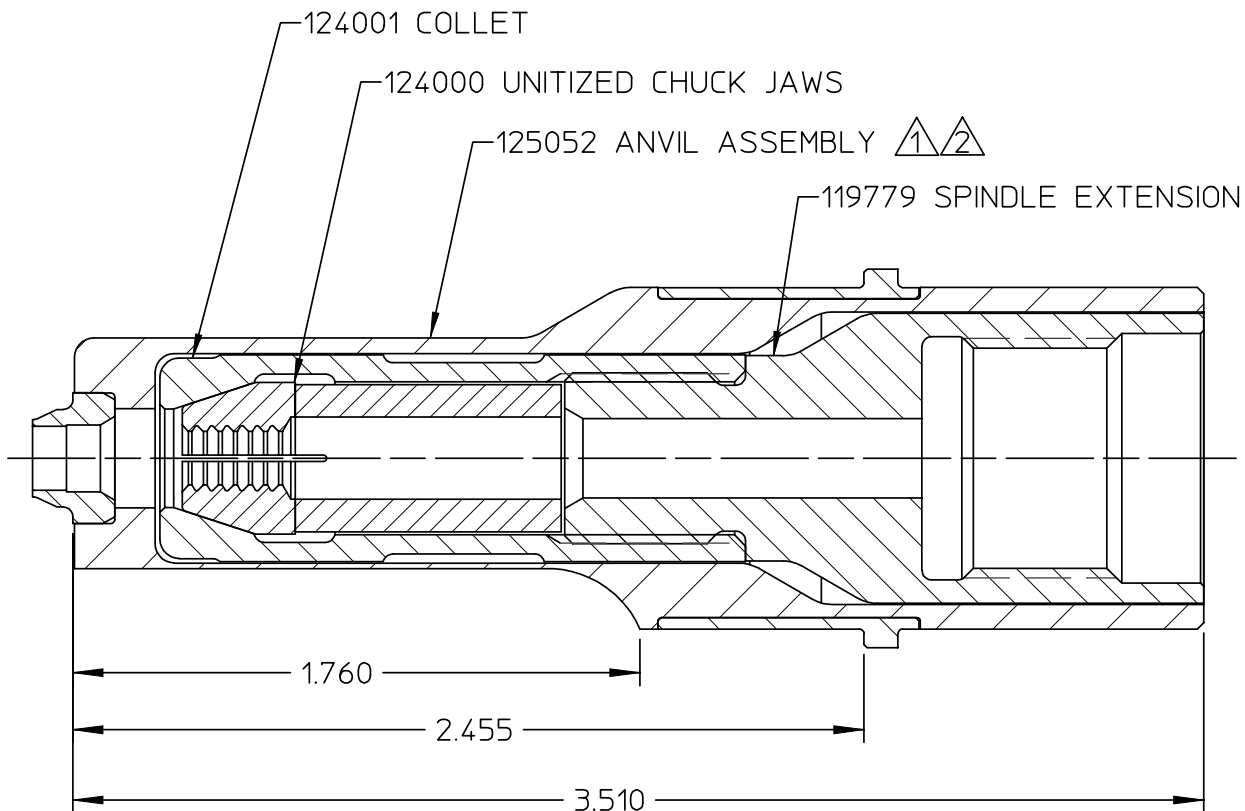
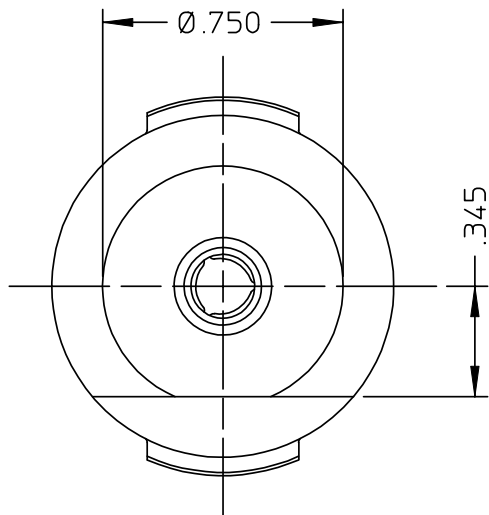


# DATA SHEET



**Alcoa Fastening Systems**

Commercial Products  
1 Corporate Drive, Kingston, NY 12401

NOSE TYPE: NON-SELF-RELEASING

FASTENER TYPE: -08 BB

TOOL(S): 245, 353

Notes:

Product Revision: **A**

US Patent:

Date: 06/18/03

NOTES:

① ANVIL ASSEMBLY 125052 CONSISTS OF:  
ANVIL HOLDER ASSEMBLY 125051 AND  
ANVIL INSERT 119377.

② ANVIL HOLDER ASSEMBLY 125051 CONSISTS OF:  
ANVIL HOLDER 125050 AND  
RETAINER 120737.

99-2716

Part Number