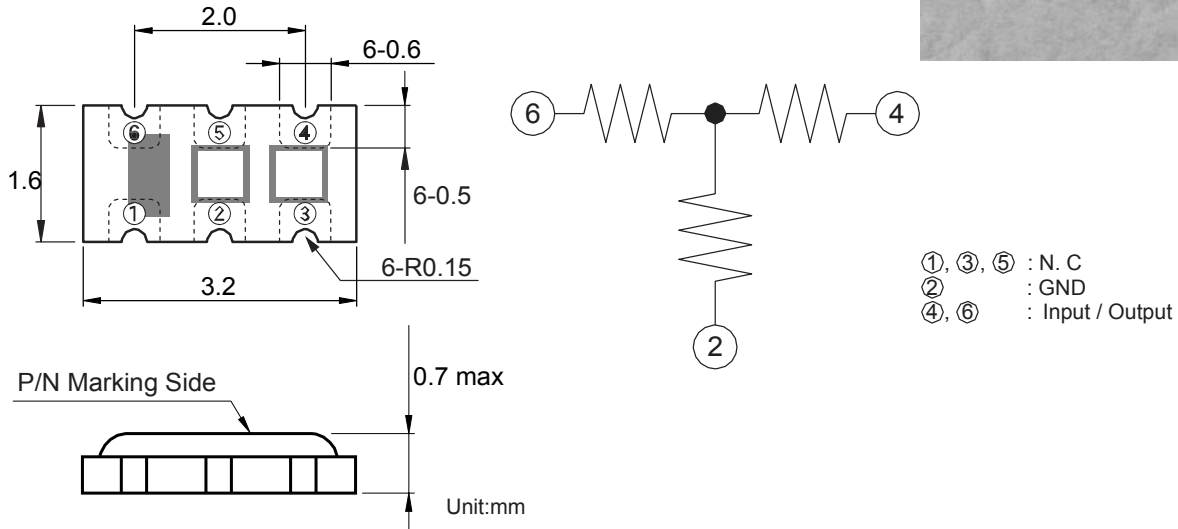


## Dimensions and Schematics



## Rating

Style No.	Frequency Range [ MHz ]	Attenuation [ dB ]	Rated Power [ W ]	VSWR	Impedance [ $\Omega$ ]	Working Temp. Range [ C ]
CAT3131-0020	DC~1000	20 $\pm$ 1.3	1 / 10	1.25 max.	50	-55 ~ +125 C
CAT3131-0003	DC~3000	3 $\pm$ 0.5				
CAT3131-0006	DC~3000	6 $\pm$ 0.5				
CAT3131-0010	DC~3000	10 $\pm$ 0.7				

- For other attenuations, if required. Please contact us for possibility.
- Test Fixture : Teflon 0.4 mm

## Recommendable Footprint

