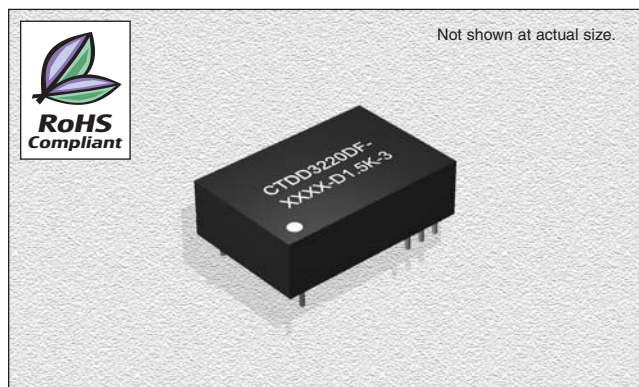


CTDD3220DF-D1.5K-3

Series

Wide Input Isolated & Regulated
3W Output, Dual Output



FEATURES

- Efficiency:** To 82%
- Temperature Range:** -40°C to +85°C
- Isolation:** 1.5KVDC
- Package:** UL94-V0
- Miscellaneous:** Wide (2:1) Input Range. Dual Output. No heat sink required. Industry standard pinout.
- Samples available.**

CHARACTERISTICS

- Output Short Circuit Protection:** Continuous
- Temperature Rise at Full Load:** 30°C (Typ.)
- Cooling:** Free air convection
- No Load, Power Consumption:** 100mW (typical)
- Operating Temperature Range:** -40°C to +85°C
- Storage Temperature Range:** -55°C to +125°C
- Lead Temperature:** 300°C (1.5mm from case for 10 seconds)
- Storage Humidity Range:** ≤ 95%
- Case Material:** Pastic (UL94-V0)
- MTBF:** >1,000,000 hours
- Miscellaneous:** RoHS Compliant.

SPECIFICATIONS

Part Number	Vin Nom. (VDC)	Input Range (VDC)	Vin Max.* (VDC)	Vout (VDC)	Iout Max. (mA)	Iout Min. (mA)	Effi. Typ. (%)
CTDD3220DF-0505-D1.5K-3	5	4.5-9	11	±5	±300	±30	65
CTDD3220DF-0509-D1.5K-3	5	4.5-9	11	±9	±165	±16	67
CTDD3220DF-0512-D1.5K-3	5	4.5-9	11	±12	±125	±12	70
CTDD3220DF-0515-D1.5K-3	5	4.5-9	11	±15	±100	±10	72
CTDD3220DF-1205-D1.5K-3	12	9-18	22	±5	±300	±30	70
CTDD3220DF-1209-D1.5K-3	12	9-18	22	±9	±165	±16	73
CTDD3220DF-1212-D1.5K-3	12	9-18	22	±12	±125	±12	77
CTDD3220DF-1215-D1.5K-3	12	9-18	22	±15	±100	±10	79
CTDD3220DF-1505-D1.5K-3	15	12-24	30	±5	±300	±30	75
CTDD3220DF-1509-D1.5K-3	15	12-24	30	±9	±165	±16	79
CTDD3220DF-1512-D1.5K-3	15	12-24	30	±12	±125	±12	80
CTDD3220DF-1515-D1.5K-3	15	12-24	30	±15	±100	±10	81
CTDD3220DF-2405-D1.5K-3	24	18-36	40	±5	±300	±30	78
CTDD3220DF-2409-D1.5K-3	24	18-36	40	±9	±165	±16	80
CTDD3220DF-2412-D1.5K-3	24	18-36	40	±12	±125	±12	81
CTDD3220DF-2415-D1.5K-3	24	18-36	40	±15	±100	±10	82
CTDD3220DF-4805-D1.5K-3	48	36-72	80	±5	±300	±30	76
CTDD3220DF-4809-D1.5K-3	48	36-72	80	±9	±165	±16	81
CTDD3220DF-4812-D1.5K-3	48	36-72	80	±12	±125	±12	81
CTDD3220DF-4815-D1.5K-3	48	36-72	80	±15	±100	±10	82

*If Input voltage above specified may cause permanent damage to the device

ISOLATION SPECIFICATIONS

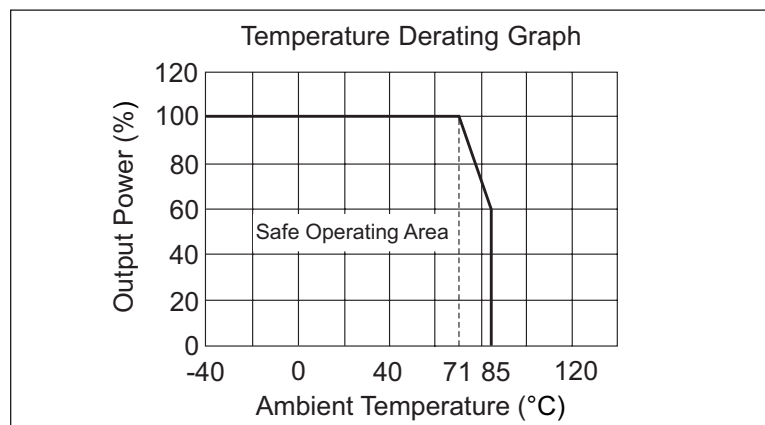
Item	Test Condition	MIN	TYP	MAX	Units
Isolation Voltage	Flash tested for 1 minute	1500			VDC
Isolation Resistance	Test at 500VDC	1000			MΩ

OUTPUT SPECIFICATIONS

Item	Test Condition	MIN	TYP	MAX	Units
3W Output Power		0.3		3	W
Positive voltage accuracy	Refer to Recommended Circuit		±1	±3	%
Negative voltage accuracy	Refer to Recommended Circuit		±3	±5	%
Load regulation	From 10% to 100% load		±0.5	±1	%
Line regulation	Input Voltage from low to high		±0.2	±0.5	%
Temperature drift (Vout)	Refer to Temp. Derating Graph			0.03	%/°C
Ripple	20Hz to 300KHz Bandwidth		30	60	mVp-p
Noise	DC-20MHz Bandwidth		80	150	mVp-p
Switching frequency	100% load, nominal input voltage	80		200	KHz
Switching frequency	10% load, nominal input voltage	250		600	KHz

Note:
1. All specifications measured at TA=25°C, humidity<75%, nominal input voltage and rated output unless otherwise specified.

TYPICAL CHARACTERISTICS

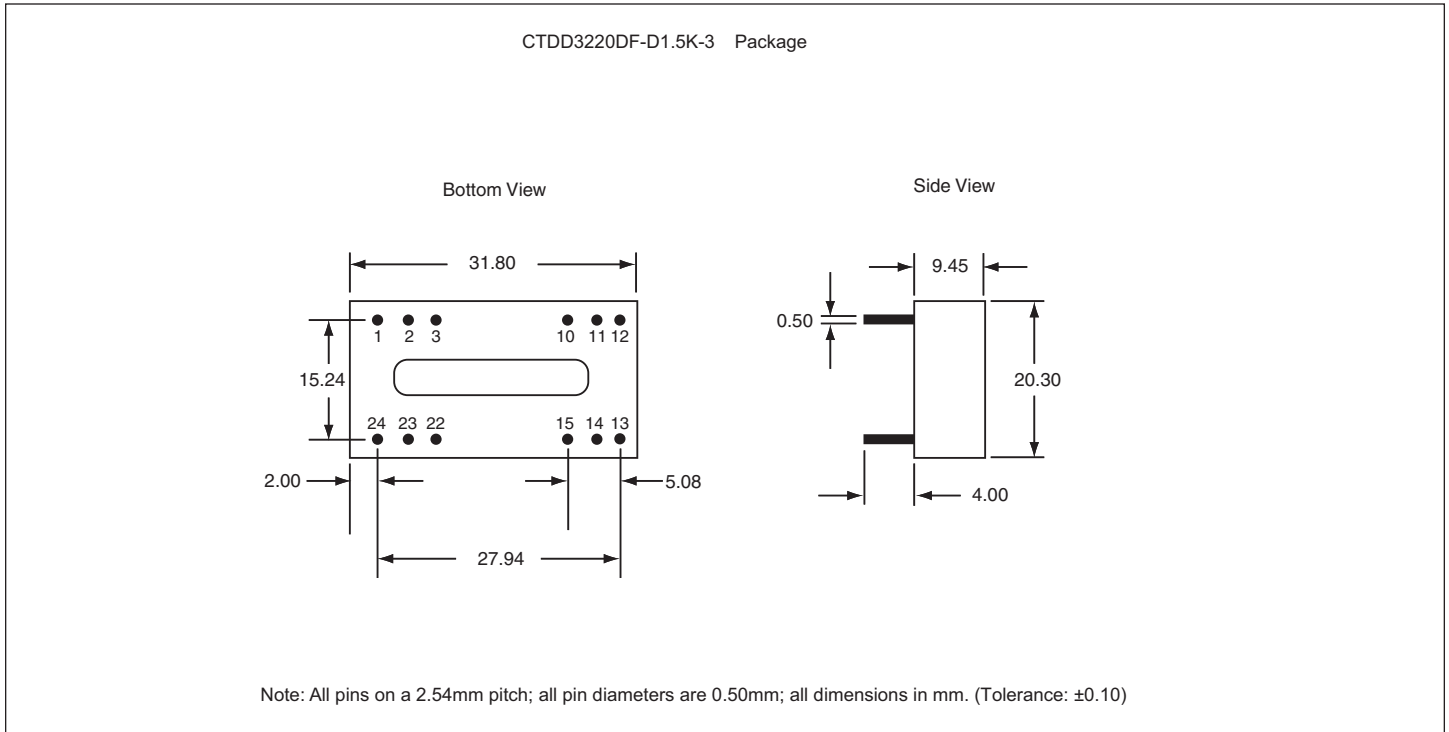


01.04.07

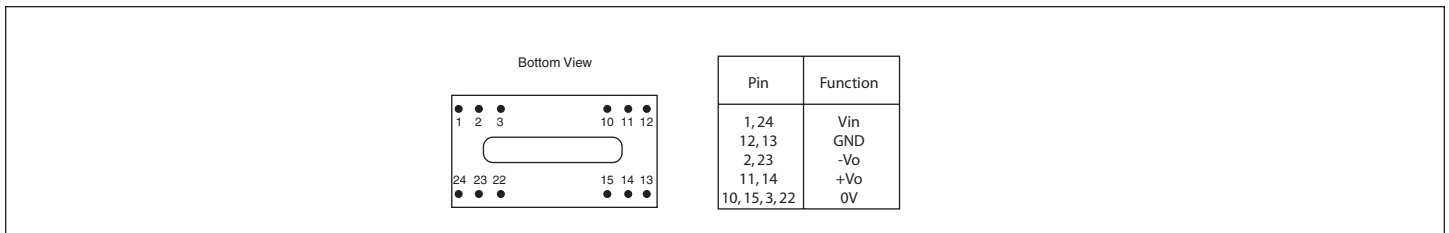
CTDD3220DF-D1.5K-3 Series

Wide Input Isolated & Regulated
3W Output, Dual Output

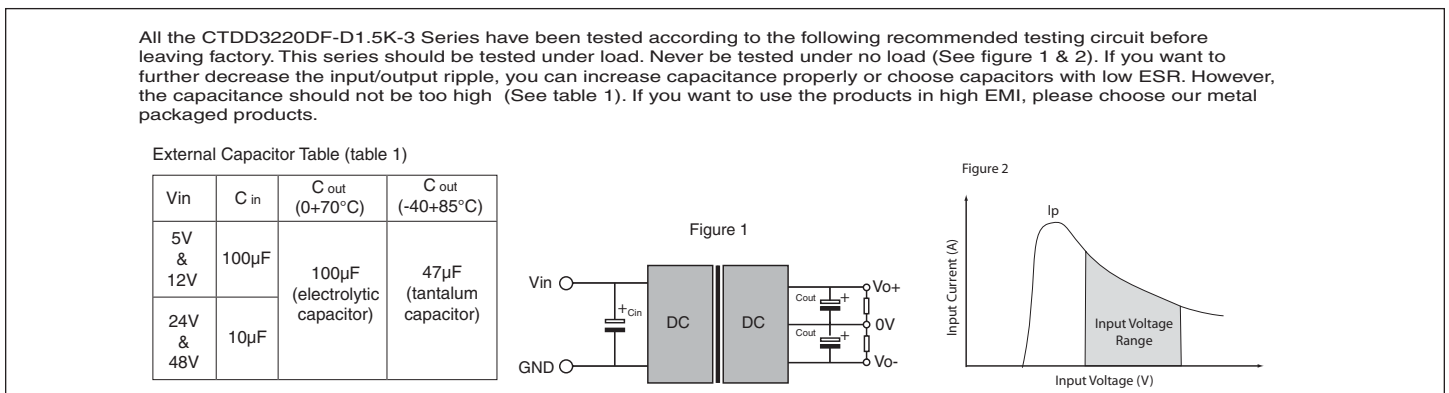
OUTLINE DIMENSIONS & RECOMMENDED FOOTPRINT DETAILS



PIN CONNECTIONS



RECOMMENDED CIRCUIT



01.04.07