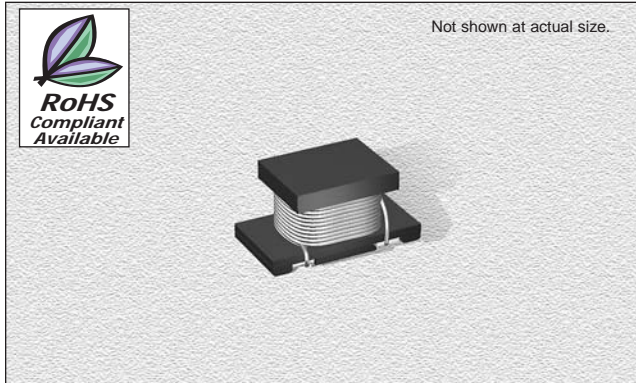


CTLQ1210N Series

From .10 μ H to 560 μ H



CHARACTERISTICS

Description: SMD power inductor

Applications: Power supplies for VTR, OA equipment, LCD televisions, PC notebooks, portable communication equipment, DC/DC converters, etc.

Operating Temperature: -25°C to +85°C

Inductance Tolerance: J = $\pm 5\%$, K = $\pm 10\%$ & M = $\pm 20\%$

Packaging: Tape & Reel

Miscellaneous: RoHS Compliant available.

Testing: Tested on a HP4285A @ specified frequency

Pads: Soft copper and pre-tinned

Additional Information: Additional electrical & physical information available upon request

Samples available. See website for ordering information.

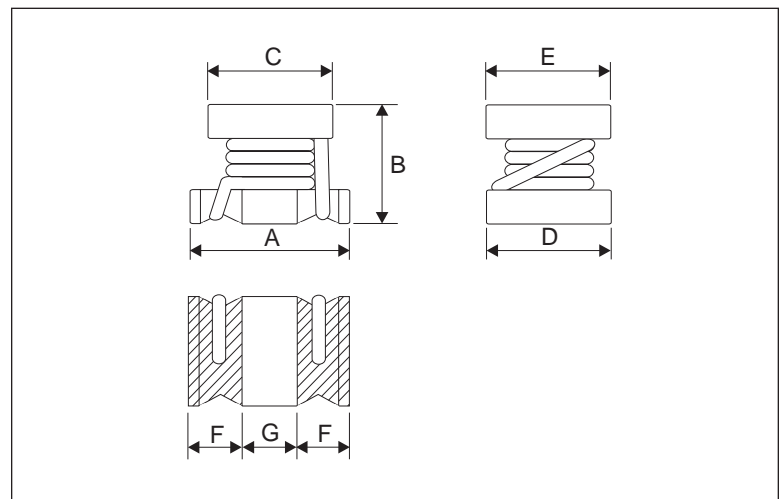
SPECIFICATIONS

Please specify tolerance code when ordering.
 CTLQ1210N-2R7_ ← J = $\pm 5\%$, K = $\pm 10\%$ M = $\pm 20\%$
 * K or M ** J or K
 CTLQ1210NE Please specify "F" for RoHS compliant.

Part Number	Inductance (μ H)	Test Freq. (Hz)	Q Min.	DCR (Ω) Max.	SRF (MHz) Min.	Rated DC (mA) Max.
CTLQ1210N_-R10M	0.10	1M	20@25.2MHz	0.25	200	700
CTLQ1210N_-R18M	0.18	1M	20@25.2MHz	0.25	200	650
CTLQ1210N_-R27M	0.27	1M	25@25.2MHz	0.25	200	600
CTLQ1210N_-R39M	0.39	1M	25@25.2MHz	0.25	200	530
CTLQ1210N_-R56M	0.56	1M	30@25.2MHz	0.25	160	530
CTLQ1210N_-R68M	0.68	1M	30@25.2MHz	0.25	160	470
CTLQ1210N_-R82M	0.82	1M	30@25.2MHz	0.25	120	450
CTLQ1210N_-1R0M	1.0	1M	20@1MHz	0.5	100	445
CTLQ1210N_-1R2M	1.2	1M	20@1MHz	0.6	100	425
CTLQ1210N_-1R5M	1.5	1M	20@1MHz	0.6	75	400
CTLQ1210N_-1R8M	1.8	1M	20@1MHz	0.7	60	390
CTLQ1210N_-2R2_*	2.2	1M	20@1MHz	0.8	50	370
CTLQ1210N_-2R7_*	2.7	1M	20@1MHz	0.9	43	320
CTLQ1210N_-3R3_*	3.3	1M	20@1MHz	1.0	38	300
CTLQ1210N_-3R9_*	3.9	1M	20@1MHz	1.1	35	290
CTLQ1210N_-4R7_*	4.7	1M	20@1MHz	1.2	31	270
CTLQ1210N_-5R6_*	5.6	1M	20@1MHz	1.3	28	250
CTLQ1210N_-6R8_*	6.8	1M	20@1MHz	1.5	25	240
CTLQ1210N_-8R2_*	8.2	1M	20@1MHz	1.6	23	225
CTLQ1210N_-100_**	10	1M	35@1MHz	1.8	20	190
CTLQ1210N_-120_**	12	1M	35@1MHz	2.0	18	180
CTLQ1210N_-150_**	15	1M	35@1MHz	2.2	16	170
CTLQ1210N_-180_**	18	1M	35@1MHz	2.5	15	165
CTLQ1210N_-220_**	22	1M	35@1MHz	2.8	14	150
CTLQ1210N_-270_**	27	1M	35@1MHz	3.1	13	125
CTLQ1210N_-330_**	33	1M	40@1MHz	3.5	12	115
CTLQ1210N_-390_**	39	1M	40@1MHz	3.9	11	110
CTLQ1210N_-470_**	47	1M	40@1MHz	4.3	11	100
CTLQ1210N_-560_**	56	1M	40@1MHz	4.9	10	85
CTLQ1210N_-680_**	68	1M	40@1MHz	5.5	9.0	80
CTLQ1210N_-820_**	82	1M	40@1MHz	6.2	8.5	70
CTLQ1210N_-101_**	100	1M	40@796KHz	7.0	8.0	80
CTLQ1210N_-121_**	120	1M	40@796KHz	8.0	7.5	75
CTLQ1210N_-151_**	150	1M	40@796KHz	9.3	7.0	70
CTLQ1210N_-181_**	180	1M	40@796KHz	10.2	6.0	65
CTLQ1210N_-221_**	220	1M	40@796KHz	11.8	5.5	65
CTLQ1219N_-271_**	270	1M	40@796KHz	12.5	5.0	65
CTLQ1210N_-331_**	330	1M	40@796KHz	13.0	5.0	65
CTLQ1210N_-391_**	390	1M	50@796KHz	22.0	5.0	50
CTLQ1210N_-471_**	470	1K	50@796KHz	25.0	5.0	45
CTLQ1210N_-561_**	560	1K	50@796KHz	28.0	5.0	40

PHYSICAL DIMENSIONS

Size	A	B	C	D	E	F Min.	G Min.
mm	3.2 \pm 0.3	2.0 \pm 0.2	2.5 \pm 0.2	2.5 \pm 0.2	2.5 \pm 0.2	0.9	1.3
inches	0.13 \pm 0.01	0.08 \pm 0.008	0.10 \pm 0.008	0.10 \pm 0.008	0.10 \pm 0.008	0.035	0.05



09.02.05