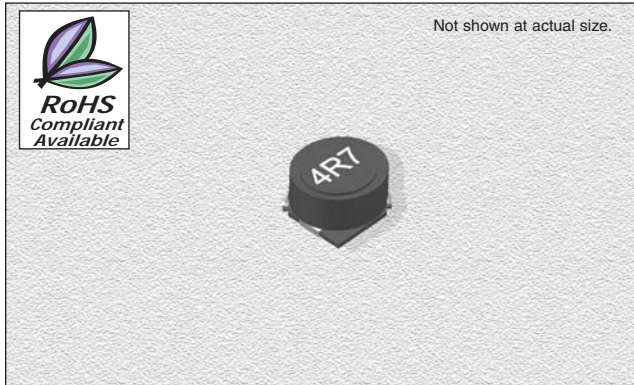


# CTSLF0628 Series

From 4.7  $\mu$ H to 100  $\mu$ H



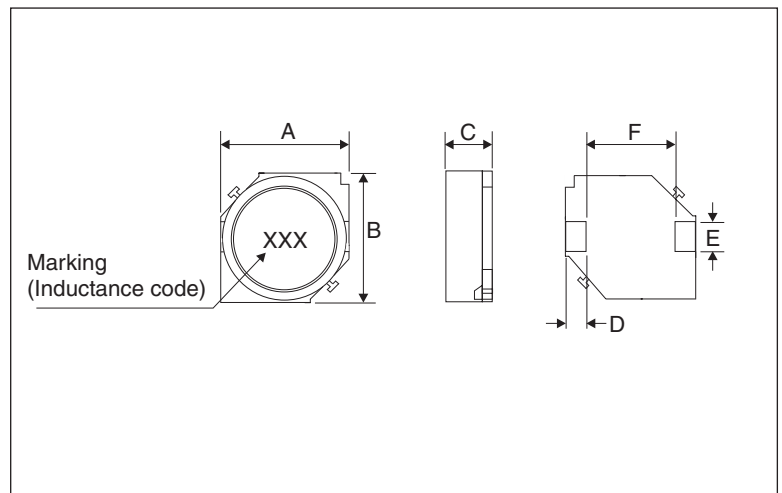
## SPECIFICATIONS

Parts are available in  $\pm 20\%$  tolerance only.  
 CTSLF0628TE Please specify "F" for RoHS compliant.

| Part Number      | Inductance ( $\mu$ H) | L Test Freq. (kHz) | DCR $\pm 20\%$ ( $\Omega$ ) | Rated DC (A) | Itemp Max. (A) |
|------------------|-----------------------|--------------------|-----------------------------|--------------|----------------|
| CTSLF0628T_-4R7M | 4.7                   | 1.0                | 0.0284                      | 1.6          | 2.5            |
| CTSLF0628T_-6R8M | 6.8                   | 1.0                | 0.0354                      | 1.5          | 2.2            |
| CTSLF0628T_-100M | 10                    | 1.0                | 0.0532                      | 1.3          | 1.8            |
| CTSLF0628T_-150M | 15                    | 1.0                | 0.0745                      | 1.0          | 1.4            |
| CTSLF0628T_-220M | 22                    | 1.0                | 0.104                       | 0.77         | 1.3            |
| CTSLF0628T_-330M | 33                    | 1.0                | 0.148                       | 0.69         | 1.1            |
| CTSLF0628T_-470M | 47                    | 1.0                | 0.21                        | 0.59         | 0.92           |
| CTSLF0628T_-680M | 68                    | 1.0                | 0.29                        | 0.50         | 0.78           |
| CTSLF0628T_-101M | 100                   | 1.0                | 0.43                        | 0.42         | 0.64           |

## PHYSICAL DIMENSIONS

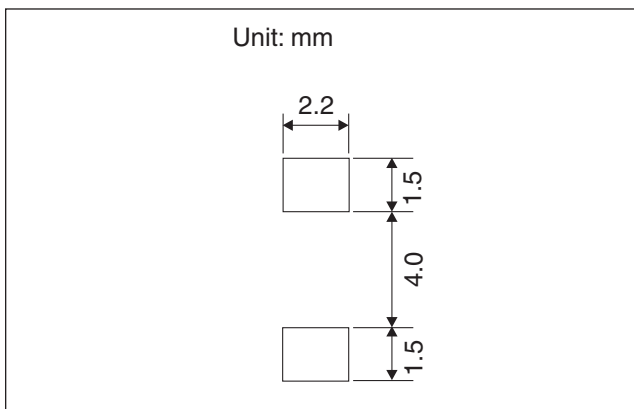
| Size   | A                | B                | C                | D<br>Typ. | E                | F<br>Typ. |
|--------|------------------|------------------|------------------|-----------|------------------|-----------|
| mm     | 6.0 $\pm$ 0.2    | 6.0 $\pm$ 0.2    | 2.8 $\pm$ 0.2    | 1.5       | 2.0 $\pm$ 0.1    | 3.0       |
| inches | 0.24 $\pm$ 0.008 | 0.24 $\pm$ 0.008 | 0.11 $\pm$ 0.008 | 0.059     | 0.08 $\pm$ 0.004 | 0.118     |



## CHARACTERISTICS

- Description:** SMD (shielded) power inductor
- Applications:** For power source circuits, low profile type DC to DC converters, DC to AC inverters etc.
- Operating Temperature:** -40°C to +85°C
- Inductance Tolerance:**  $\pm 20\%$
- Testing:** Inductance is tested on an HP4284A at 1.0 kHz.
- Rated DC Current:** Value obtained when DC current flows and the initial value of inductance has fallen by 30%
- Itemp Current:** Value obtained when current flows and the temperature has risen to 25°C
- Packaging:** Tape & Reel
- Marking:** Parts are marked with inductance code
- Miscellaneous:** Magnetically shielded. **RoHS Compliant available.**
- Additional Information:** Additional electrical & physical information available upon request
- Samples available. See website for ordering information.**

## PAD LAYOUT



06.23.06