

# CTUP3B Series

From 0.47  $\mu\text{H}$  to 100  $\mu\text{H}$



## SPECIFICATIONS

Parts are available in  $\pm 20\%$  tolerance only.  
 CTUP3BE Please specify "F" for RoHS Compliant

Part Number	Inductance ( $\mu\text{H}$ )	L Test Freq. (kHz)	DCR Max. (m $\Omega$ )	Rated DC Current (A)
CTUP3B_-0R47	.47	100	2.50	25.1
CTUP3B_-1R0	1.0	100	4.30	15.3
CTUP3B_-1R5	1.5	100	5.90	12.0
CTUP3B_-2R2	2.2	100	7.50	10.2
CTUP3B_-2R8	2.8	100	10.3	9.30
CTUP3B_-4R7	4.7	100	15.0	7.70
CTUP3B_-6R8	6.8	100	22.0	6.20
CTUP3B_-100	10	100	27.0	5.20
CTUP3B_-150	15	100	45.0	4.30
CTUP3B_-220	22	100	63.0	3.70
CTUP3B_-330	33	100	102.0	3.00
CTUP3B_-470	47	100	132.0	2.40
CTUP3B_-680	68	100	185.0	2.00
CTUP3B_-101	100	100	265.0	1.80

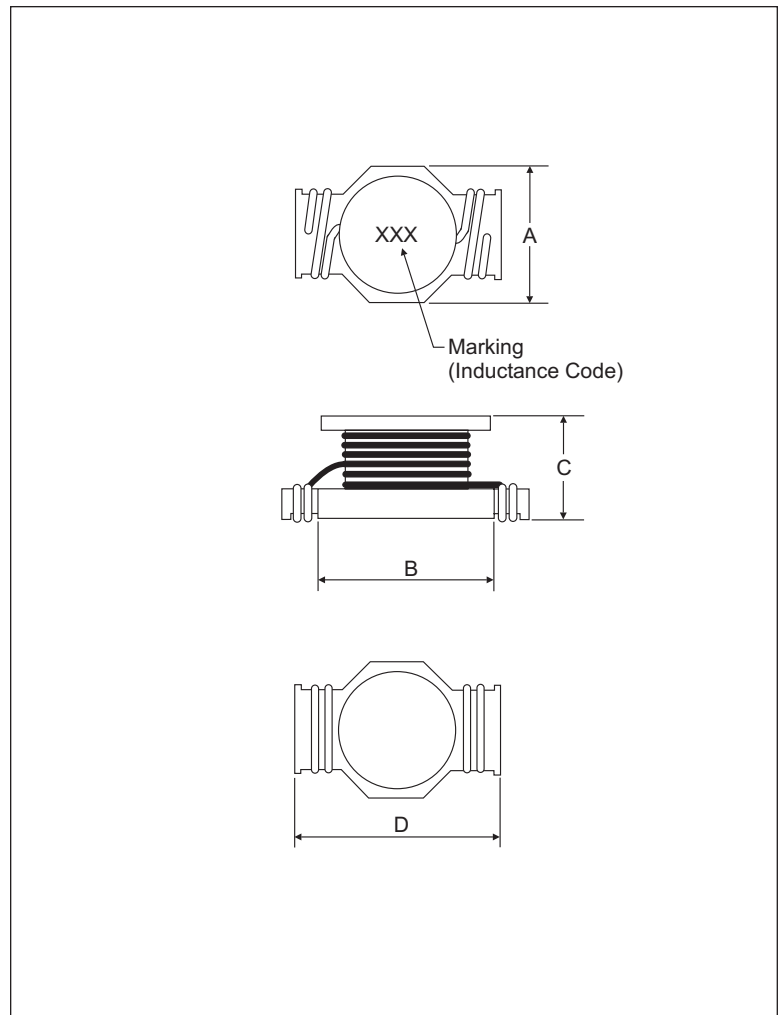
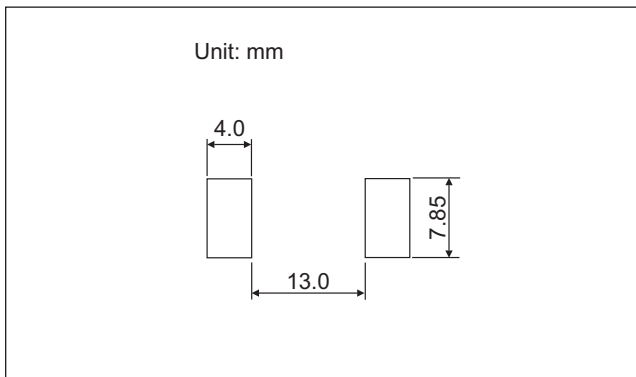
## PHYSICAL DIMENSIONS

Size	A Max.	B	C Max.	D Max.
mm	13.3	12.7	6.9	19.5
inches	0.524	0.500	0.272	0.768

## CHARACTERISTICS

- Description:** SMD power inductor
- Applications:** DC/DC converters, computers, LCD displays, telecommunication equipment and PDA palm tops.
- Operating Temperature:**  $-30^{\circ}\text{C}$  to  $+100^{\circ}\text{C}$
- Inductance Tolerance:**  $\pm 20\%$
- Testing:** Inductance is tested on an HP4285A at 100 kHz
- Packaging:** Tape & Reel
- Marking:** Inductance code
- Miscellaneous:** RoHS Compliant available
- Additional Information:** Additional electrical & physical information available upon request
- Samples available. See website for ordering information.**

## PAD LAYOUT



02.11.05