



## SMD INDUCTOR DR353-1 SERIES

### Features

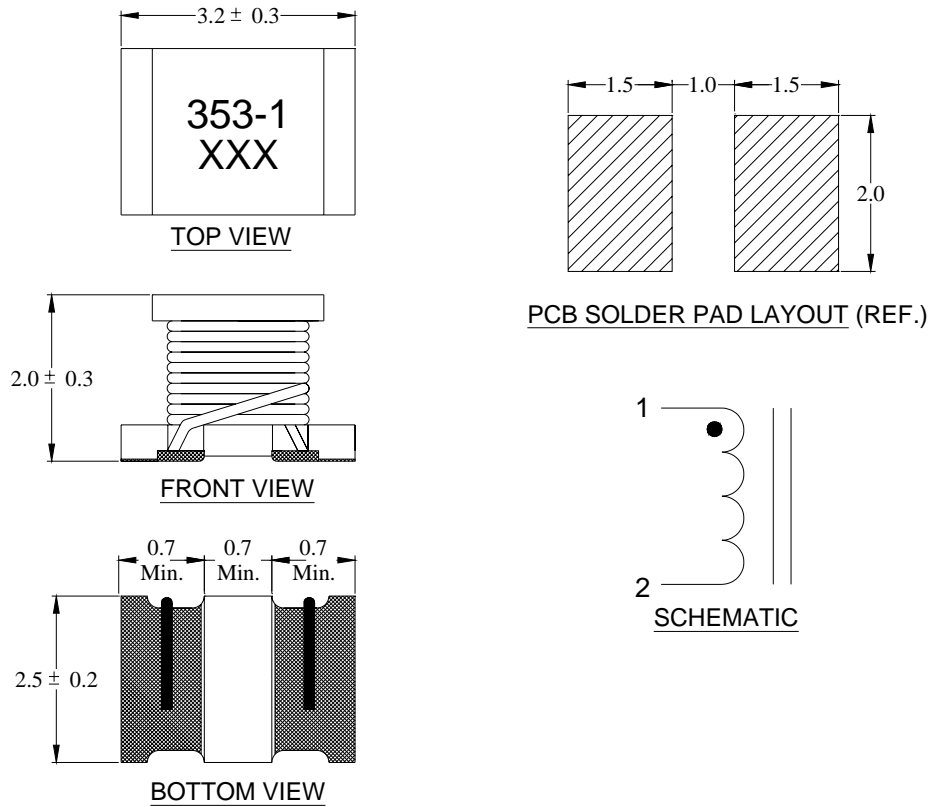
- Low Profile Surface Mount Design
- Flat Top for Pick and Place
- Inductance Range from 0.1 $\mu$ H to 560.0 $\mu$ H
- Operating Temp. -25°C to + 85°C
- Tinned Leads with Leaded Solder is Available (note 6)



### ELECTRICAL SPECIFICATIONS AT 25°C

Part No.	Inductance ( $\mu$ H)		DCR ( $\Omega$ ) Max.	Q Min.	I <sub>rated</sub> (mA) Max.	SRF (MHz) Min.
DR353-1-101	0.10 $\pm$ 20%	@1MHz	0.25	20	@25.2 MHz	200
DR353-1-181	0.18 $\pm$ 20%	@1MHz	0.25	20	@25.2 MHz	200
DR353-1-271	0.27 $\pm$ 20%	@1MHz	0.25	25	@25.2 MHz	200
DR353-1-391	0.39 $\pm$ 20%	@1MHz	0.25	25	@25.2 MHz	200
DR353-1-561	0.56 $\pm$ 20%	@1MHz	0.25	30	@25.2 MHz	160
DR353-1-681	0.68 $\pm$ 20%	@1MHz	0.25	30	@25.2 MHz	160
DR353-1-821	0.82 $\pm$ 20%	@1MHz	0.25	30	@25.2 MHz	120
DR353-1-102	1.0 $\pm$ 20%	@1MHz	0.50	20	@1MHz	100
DR353-1-122	1.2 $\pm$ 20%	@1MHz	0.60	20	@1MHz	100
DR353-1-152	1.5 $\pm$ 20%	@1MHz	0.60	20	@1MHz	75
DR353-1-182	1.8 $\pm$ 20%	@1MHz	0.70	20	@1MHz	60
DR353-1-222	2.2 $\pm$ 20%	@1MHz	0.80	20	@1MHz	50
DR353-1-272	2.7 $\pm$ 20%	@1MHz	0.90	20	@1MHz	43
DR353-1-332	3.3 $\pm$ 20%	@1MHz	1.0	20	@1MHz	38
DR353-1-392	3.9 $\pm$ 20%	@1MHz	1.1	20	@1MHz	35
DR353-1-472	4.7 $\pm$ 20%	@1MHz	1.2	20	@1MHz	31
DR353-1-562	5.6 $\pm$ 20%	@1MHz	1.3	20	@1MHz	28
DR353-1-682	6.8 $\pm$ 20%	@1MHz	1.5	20	@1MHz	25
DR353-1-822	8.2 $\pm$ 20%	@1MHz	1.6	20	@1MHz	23
DR353-1-103	10 $\pm$ 10%	@1MHz	1.8	35	@1MHz	20
DR353-1-123	12 $\pm$ 10%	@1MHz	2.0	35	@1MHz	18
DR353-1-153	15 $\pm$ 10%	@1MHz	2.2	35	@1MHz	16
DR353-1-183	18 $\pm$ 10%	@1MHz	2.5	35	@1MHz	15
DR353-1-223	22 $\pm$ 10%	@1MHz	2.8	35	@1MHz	14
DR353-1-273	27 $\pm$ 10%	@1MHz	3.1	35	@1MHz	13
DR353-1-333	33 $\pm$ 10%	@1MHz	3.5	40	@1MHz	12
DR353-1-393	39 $\pm$ 10%	@1MHz	3.9	40	@1MHz	11
DR353-1-473	47 $\pm$ 10%	@1MHz	4.3	40	@1MHz	11
DR353-1-563	56 $\pm$ 10%	@1MHz	4.9	40	@1MHz	10
DR353-1-683	68 $\pm$ 10%	@1MHz	5.5	40	@1MHz	9
DR353-1-823	82 $\pm$ 10%	@1MHz	6.2	40	@1MHz	8.5
DR353-1-104	100 $\pm$ 10%	@1MHz	7.0	40	@796kHz	8
DR353-1-124	120 $\pm$ 10%	@1MHz	8.0	40	@796kHz	7.5
DR353-1-154	150 $\pm$ 10%	@1MHz	9.3	40	@796kHz	7
DR353-1-184	180 $\pm$ 10%	@1MHz	10.2	40	@796kHz	6
DR353-1-224	220 $\pm$ 10%	@1MHz	11.8	40	@796kHz	5.5
DR353-1-274	270 $\pm$ 10%	@1MHz	12.5	40	@796kHz	5
DR353-1-334	330 $\pm$ 10%	@1MHz	13.0	40	@796kHz	5
DR353-1-394	390 $\pm$ 10%	@1MHz	22.0	50	@796kHz	5
DR353-1-474	470 $\pm$ 10%	@1kHz	25.0	50	@796kHz	5
DR353-1-564	560 $\pm$ 10%	@1kHz	28.0	50	@796kHz	5

**MECHANICAL OUTLINES**



**Notes:**

1. All dimensions are shown in millimeter "mm"
2. General tolerance  $\pm 0.2$ mm, unless other specified
3.  $I_{rated}$  for an approximate 40°C temperature rise
4.  $I_{rated}$  for an approximate 20% drop maximum of the initial value
5. Tape and reel quantity, 2000 pcs/reel
6. For non-RoHS parts replace DR prefix with 42- (e.g. DR353-1 becomes 42-353-1)
7. Terminal finish is compliant to RoHS requirements. Solder in accordance with J-STD-020C