

## SHIELDED SMD INDUCTOR DR357-4 SERIES

### Features

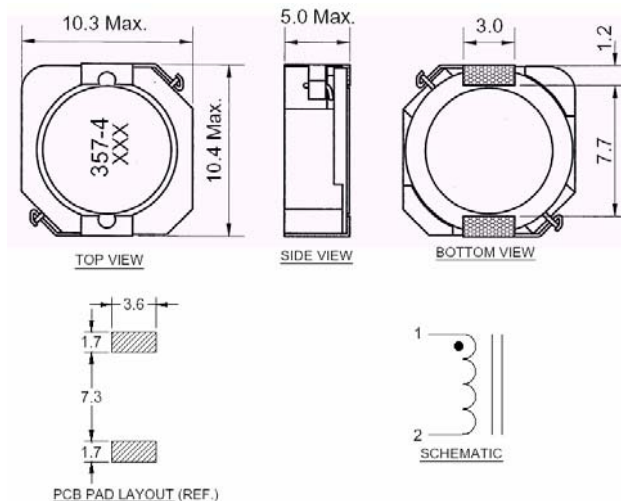
- Low Profile Surface Mount Design
- Flat Top for Pick and Place
- Inductance Range from 10.0 $\mu$ H to 1000.0 $\mu$ H
- Operating Temp. -30°C to +80°C
- Tinned Leads with Leaded Solder is Available (note 7)



### ELECTRICAL SPECIFICATIONS AT 25°C

Part No.	Inductance ( $\mu$ H) $\pm$ 30%	DCR ( $\Omega$ ) Max.	I <sub>rated</sub> (A) Max.
DR357-4-103	10.0	0.026	3.45
DR357-4-123	12.0	0.032	3.40
DR357-4-153	15.0	0.040	2.83
DR357-4-183	18.0	0.046	2.62
DR357-4-223	22.0	0.059	2.44
DR357-4-273	27.0	0.065	2.24
DR357-4-333	33.0	0.081	1.88
DR357-4-393	39.0	0.103	1.70
DR357-4-473	47.0	0.122	1.56
DR357-4-563	56.0	0.145	1.39
DR357-4-683	68.0	0.193	1.36
DR357-4-823	82.0	0.219	1.20
DR357-4-104	100.0	0.247	1.09
DR357-4-124	120.0	0.298	1.00
DR357-4-154	150.0	0.355	0.91
DR357-4-184	180.0	0.393	0.84
DR357-4-224	220.0	0.484	0.75
DR357-4-274	270.0	0.633	0.68
DR357-4-334	330.0	0.780	0.60
DR357-4-394	390.0	0.958	0.57
DR357-4-474	470.0	1.220	0.50
DR357-4-564	560.0	1.352	0.47
DR357-4-684	680.0	1.519	0.43
DR357-4-824	820.0	1.694	0.39
DR357-4-105	1000.0	1.946	0.35

### MECHANICAL OUTLINES



#### Notes:

1. All dimensions are shown in millimeter "mm"
2. General tolerance  $\pm$ 0.2mm, unless other specified
3. Inductance Test: 100kHz, 0.1Vrms
4. I<sub>rated</sub> for an approximate 40°C temperature rise
5. I<sub>rated</sub> for an approximate 35% drop maximum of the initial value
6. Tape and reel quantity, 2000 pcs/reel
7. For non-RoHS parts, replace DR prefix with 42- (e.g. DR357-4 becomes 42-357-4)
8. Terminal finish is compliant to RoHS requirements. Solder in accordance with J-STD-020C