

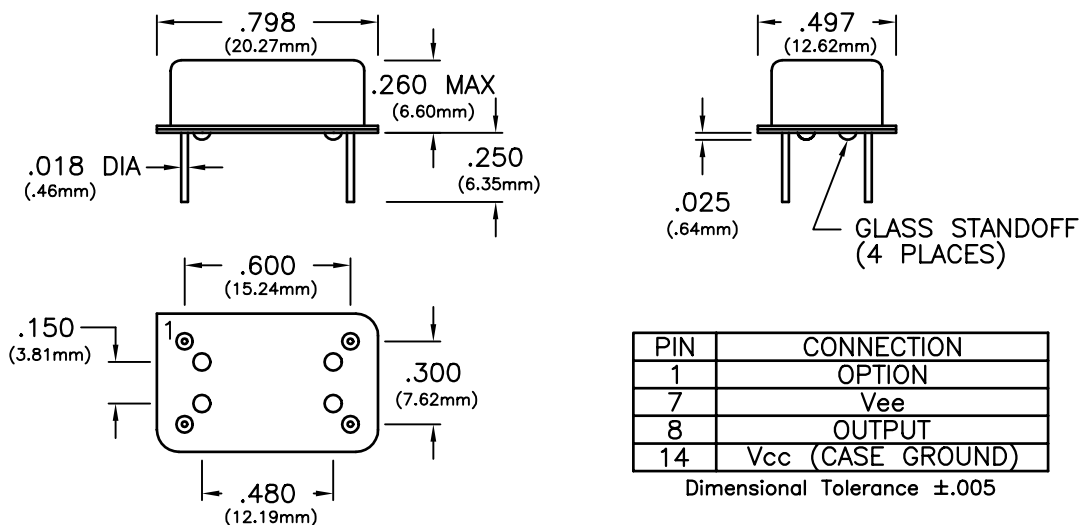


CONNOR-WINFIELD CORPORATION

AURORA, IL. 60505
 PHONE (630) 851-4722
 FAX (630) 851-5040

14 PIN DIP ECL

SPECIFICATIONS	E02-51*	E02-52*	E02-53*	E02-54*
Frequency Range	10MHz to 400MHz			
Frequency Stability	±25ppm	±50ppm	±100ppm	±20ppm
	(Inclusive of calibration tolerance at 25°C, operating temperature range, input voltage change, load change, aging, shock and vibration)			
Temperature Range	0°C to +70°C			
Output	Waveform	ECL Squarewave, 100K Compatible		
	Voltage	Voh	-1.025 Minimum , -0.88 Maximum	
		Vol	-1.81 Minimum , -1.62 Maximum	
	Duty Cycle	45/55 Maximum measured at 50% level		
	Rise/Fall Time	1.5nS Maximum		
Output must be terminated into 50 ohms to -2Vdc referenced to Vcc				
Supply Voltage	-4.5Vdc ±5%			
Supply Current	85mA Maximum			
Package	All metal, hermetically sealed, welded package			
Options *	0	Pin 1: No Connection		
	1	Pin 1: Complementary Output		
	2	Pin 1: Enable/Disable Enable; Low Level, Vil (-1.60V Max) , Disable; High Level, Vih (-1.02V Min) NOTE: When oscillator is disabled the output is in a low state (vol)		
(add letter to end of model number)				



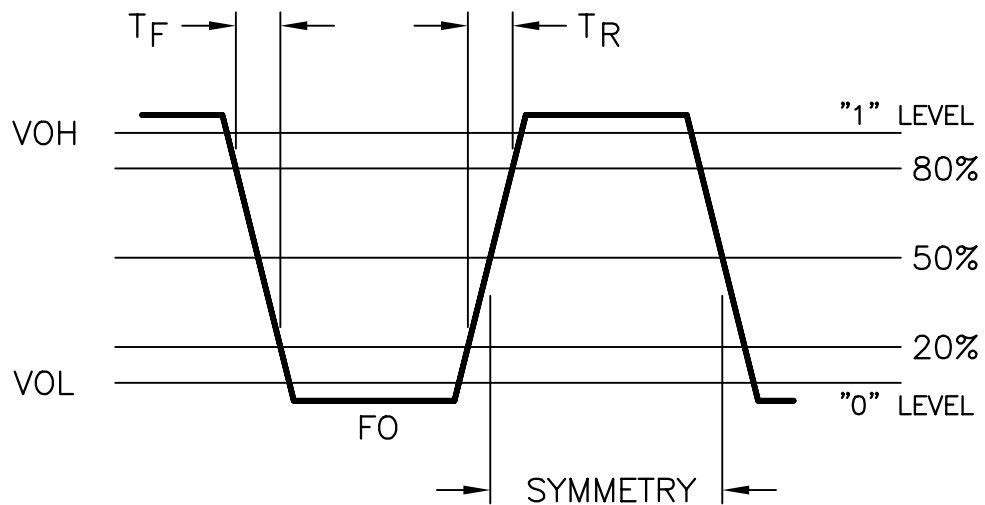
Specifications subject to change without notice



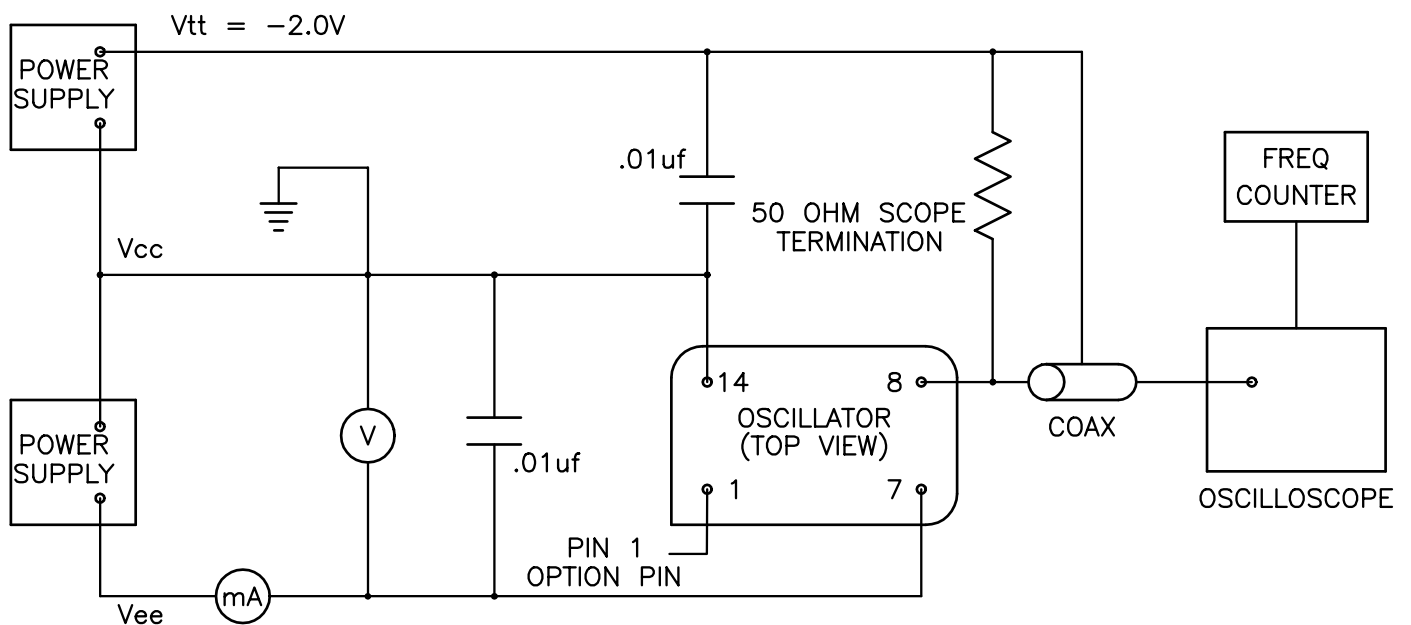
CONNOR-WINFIELD CORPORATION

AURORA, IL. 60505
PHONE (630) 851-4722
FAX (630) 851-5040

OUTPUT WAVEFORM



TEST CIRCUIT



Specifications subject to change without notice

BULLETIN #: EC055
PAGE 2 OF 2

REV: 01
DATE: 4/21/95

ISSUED BY: _____