



# CONNOR-WINFIELD CORPORATION

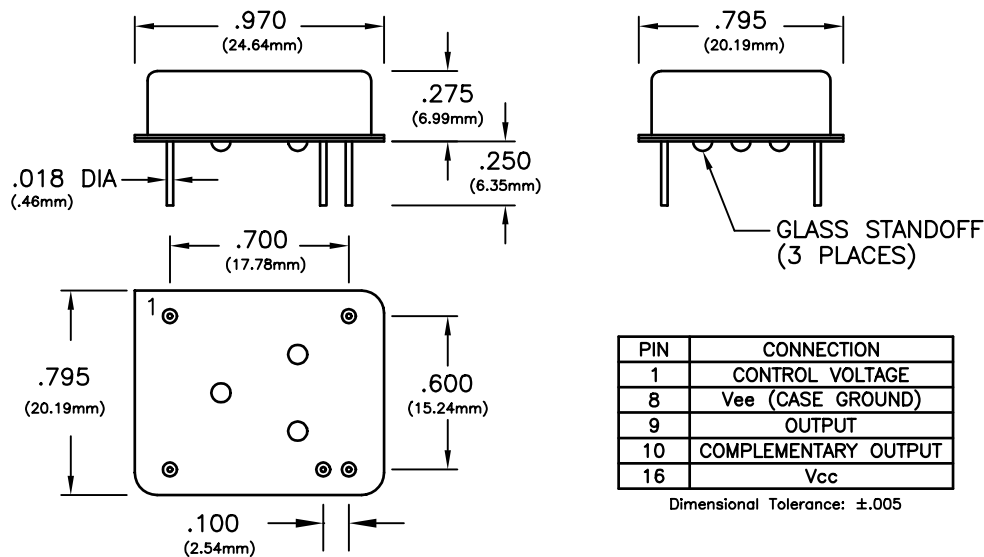
AURORA, IL. 60505

PHONE (630) 851-4722

FAX (630) 851-5040

## 16 PIN DIP PECL VCXO

SPECIFICATIONS	EPV64-***-21P	EPV54-***-21P
Frequency Range	20MHz to 180MHz	
Frequency Stability	±20ppm	
Temperature Range	-40°C to +85°C	0°C to +70°C
Output	Waveform	PECL Squarewave
	Voltage Voh	3.96 Minimum
	Vol	3.40 Maximum
	Duty Cycle	40/60 Maximum
	Rise/Fall Time	1.5nS Typical, 2.0nS Maximum
Frequency Control	Deviation *-(add to model number)	
	080	±40ppm Minimum
	100	±50ppm Minimum
	150	±75ppm Minimum
Control Voltage	0.5 to +4.5Vdc	
Center Frequency	+2.5Vdc, ±25ppm	
Linearity	±20% Maximum	
Freq Modulation Bandwidth	DC to 20KHz Maximum	
Supply Voltage	+5Vdc ±5%	
Supply Current	70mA Maximum	
Package	All metal, hermetically sealed, welded package	



PIN	CONNECTION
1	CONTROL VOLTAGE
8	Vee (CASE GROUND)
9	OUTPUT
10	COMPLEMENTARY OUTPUT
16	Vcc

Dimensional Tolerance: ±.005

Specifications subject to change without notice

BULLETIN #: VX133  
PAGE 1 OF 2

REV: 02  
DATE: 11/14/96

ISSUED BY: \_\_\_\_\_



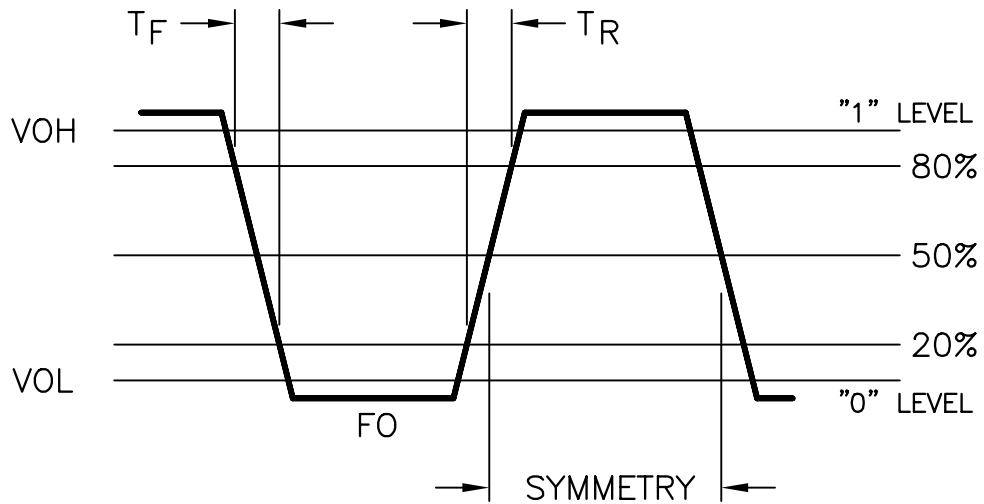
# CONNOR-WINFIELD CORPORATION

AURORA, IL. 60505

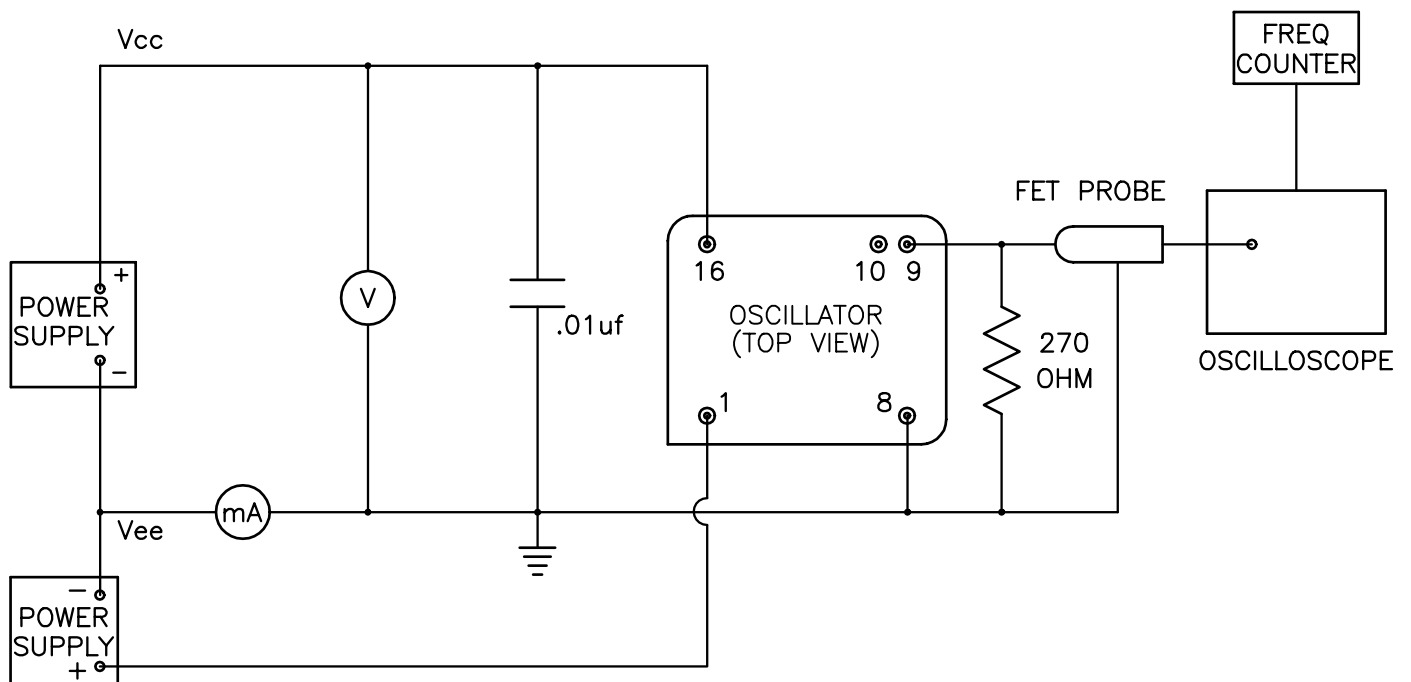
PHONE (630) 851-4722

FAX (630) 851-5040

## OUTPUT WAVEFORM



## TEST CIRCUIT



Specifications subject to change without notice

BULLETIN #: VX133  
PAGE 2 OF 2

REV: 02  
DATE: 11/14/96

ISSUED BY: \_\_\_\_\_