



CONNOR-WINFIELD CORPORATION

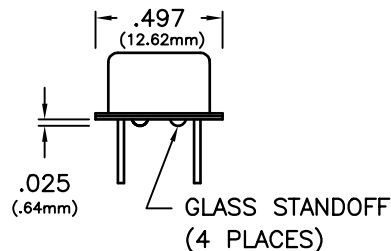
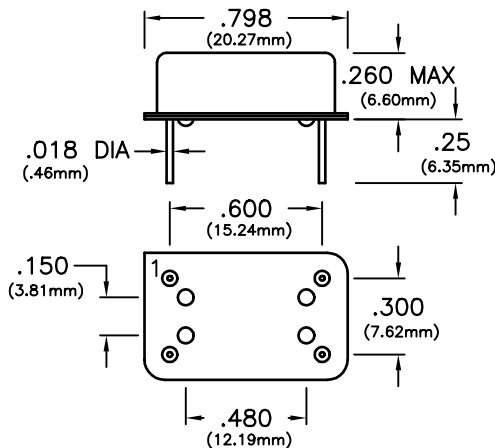
AURORA, IL. 60505

PHONE (630) 851-4722

FAX (630) 851-5040

14 PIN DIP HCMOS VCO

SPECIFICATIONS	HCVR1A			HCVR2		
Center Frequency (Fo)	100KHz to 57.692MHz			100KHz to 52.174MHz		
Frequency Stability	±1%					
Temperature Range	0°C to +70°C					
Supply Voltage	+5Vdc ±5%					
Supply Current	25mA Maximum, 10mA Typical					
Output	Waveform	HCMOS Squarewave				
	Load	15pF				
	Voltage Voh	4.5V Minimum				
	Vol	0.5V Maximum				
	Current Ioh	-4mA				
	Iol	4mA				
	Duty Cycle	50/50 ±20% Max, ±10% Typ measured at 50% level				
Rise/Fall Time	10nS Maximum, 5nS Typical					
SSB Phase Noise (Typical)	@1KHz	-80dBc/Hz				
	@10KHz	-100dBc/Hz				
	@25KHz	-105dBc/Hz				
	@100KHz	-115dBc/Hz				
Frequency Control						
Control Voltage	0.0 to 5.0V Positive Transfer Characteristics					
Center Frequency	2V to 3V					
Input Impedance	>50K Ohms at 10KHz					
Modulation Bandwidth	≤15KHz					
Deviation @ 25°C (Referenced to Fo)	HCVR1A			HCVR2		
	Min	Typ	Max	Min	Typ	Max
	0V Pin 1	-2%	-3%	-4%	-10%	-12%
5V Pin 1	+2%	+3%	+4%	+10%	+12%	+15%



PIN	CONNECTION
1	VOLTAGE CONTROL
7	GROUND (CASE)
8	OUTPUT
14	(+) SUPPLY

Specifications subject to change without notice

BULLETIN #: VC005
PAGE 1 OF 1

REV: 03
DATE: 6/3/98

ISSUED BY: _____

Dimensional Tolerance: ±.02"
±.005"