

SS12/24ADA Signaling Strobes



A Division of Pittway
3825 Ohio Avenue, St. Charles, IL 60174
1-800-SENSOR2 (736-7672), Fax 630-377-6495
<http://www.systemsensor.com>



SS1215ADA
Signaling Strobe



MASS241575ADA
Strobe with
Multi-Alert™ Horn

Features

- 93mA avg. current draw at 24VDC, regulated power supply for SS241575ADA
- Multiple light intensities
 - 24 VDC: 15, 15/75, 75, or 110 cd models
 - 12 VDC: 15 or 15/75 cd
- No measurable in-rush in excess of peak current
- Intended for primary signaling
- Installer Easy strobe features
 - Mounts to single gang box with MP-SF plate
 - Plug-in terminal strip
 - Wire strip gauge and wiring diagram on back
- Available with Multi-Alert™ horn, Sound Choice™ SP101, or V400 Series speaker
- 3 year warranty

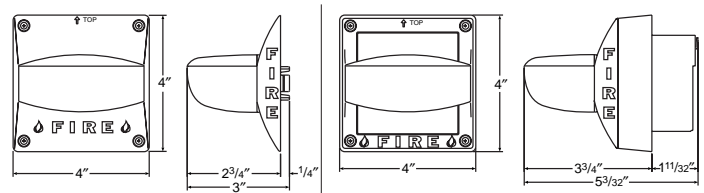
System Sensor SS12/24ADA Series signaling strobes comply with the Americans with Disabilities Act (ADA) and the demanding requirements of the Underwriters Laboratories Standard UL 1971 for the Hearing Impaired. The 15/75 strobe models are UL 1971 listed at 15 cd.

To insure compliance with ADA and UL 1971, use the System Sensor 75 candela models for non-sleeping areas, and the wall-mounted 110 candela models for sleeping areas. Available in red or beige at 12 or 24 VDC, the SS12/24ADA series of signaling strobes can be surface mounted directly to a standard 4" backbox or can be mounted to our semi-flush plate for recessed electrical boxes. They are also available in combination with System Sensor Multi-Alert horns and Sound Choice SP101 or V400 speakers for both visible and audible signaling.

Specifications

| | |
|--------------------|---|
| Input terminals: | 18 – 12 AWG |
| Shipping Weight: | |
| SS Series Strobes: | 5 oz. (141g) |
| MASS Series | |
| Horn/Strobes: | 10.4 oz. (293g) |
| Operating | |
| Temperature Range: | 32° F to 120° F (0° C to 49° C) |
| Mounting: | |
| Surface: | 4" × 4" × 1½" standard backbox (2⅛" recommended) |
| Semiflush: | 4" × 4" × 1½" standard backbox (2⅛" recommended) with MP-SF semi-flush mounting plate (order separately) |

Dimensions:



SS12/24ADA Series

MASS12/24ADA Series



Engineering Specifications

Strobe shall be a System Sensor Model _____ listed to *Standard UL 1971 for the Hearing Impaired* and shall be approved for Fire Protective Service. Strobe shall be wired as a Primary Signaling Notification appliance. Strobe shall also comply with the Americans with Disabilities Act requirements for visible signaling appliances. Strobe shall operate on 12 or 24VDC from a regulated DC supply or full-wave rectified, unfiltered supply. The signaling strobe shall be powered from a non-coded power supply when

powered with the horn or powered independently. Strobe shall have no measurable in-rush current in excess of operating peak current. Visual signaling devices are to be installed in all non-sleeping/corridor and sleeping areas per plans and specifications. The strobe light shall consist of a xenon flash tube and associated lens/reflector system. All strobes shall be capable of mounting to a standard 4" x 4" x 1 1/2" backbox, in either a surface mount or semiflush mount with separate mounting plate.

Sound Output Selection Guide

Multi-Alert Sounder – MA12/24D

| Available Sounds | Clips on Tabs (ABC) ¹ | Current (mA) | | | Average* | | Sound Output (dBA) | | UL (dBA) Ratings | |
|---|----------------------------------|--|-------|-------|----------|-----|--------------------|-----|------------------|-----|
| | | DC Regulated/FWR Unfiltered ² | | | Peak* | | 12V 24V | | 12V 24V | |
| | | 12V | 24V | 30V | 12V | 24V | 12V | 24V | 12V | 24V |
| Slow Whoop | ABC | 21/40 | 38/56 | 46/72 | 85 | 92 | 93 | 100 | 79 | 85 |
| 800 Hz continuous (factory setting) | BC | 15/24 | 28/45 | 35/55 | 87 | 93 | 94 | 99 | 79 | 85 |
| 800–1000 Hz Alternating | AC | 17/32 | 34/46 | 43/58 | 85 | 92 | 91 | 98 | 79 | 85 |
| 2400 Interrupted | AB | 19/23 | 35/56 | 43/64 | 89 | 90 | 96 | 98 | 79 | 85 |
| 2400 Continuous | C | 21/31 | 38/59 | 46/73 | 85 | 94 | 93 | 104 | 79 | 85 |
| 1200 Interrupted | B | 13/19 | 23/33 | 27/41 | 85 | 91 | 95 | 101 | 75 | 82 |
| Swept Frequency | A | 17/24 | 34/47 | 43/60 | 85 | 92 | 96 | 101 | 79 | 85 |
| Fast Warble | None | 15/27 | 30/47 | 38/59 | 85 | 92 | 93 | 100 | 79 | 85 |

Multi-Alert Sounder – MA12/24EH

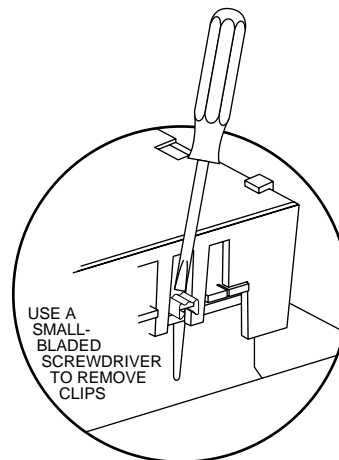
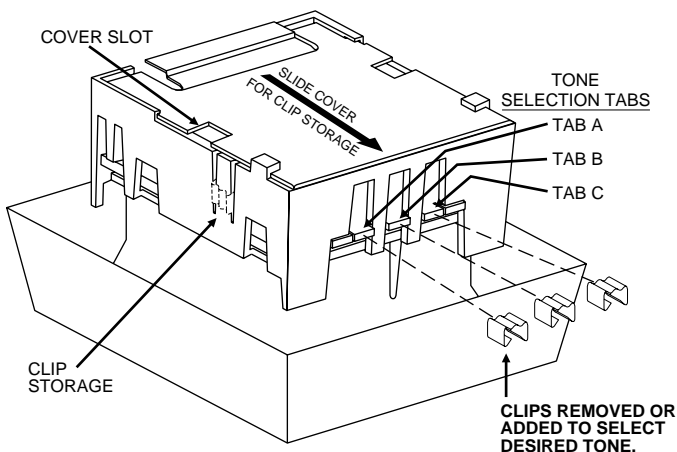
| Available Sounds | Clips on Tabs (ABC) ¹ | Current (mA) | | | Average* | | Sound Output (dBA) | | UL (dBA) Ratings | |
|---|----------------------------------|--|-------|-------|-----------|-----------|--------------------|------------|------------------|-----------|
| | | DC Regulated/FWR Unfiltered ² | | | Peak* | | 12V 24V | | 12V 24V | |
| | | 12V | 24V | 30V | 12V | 24V | 12V | 24V | 12V | 24V |
| Fast Whoop | ABC | 21/40 | 38/56 | 46/72 | 85 | 92 | 93 | 100 | 79 | 85 |
| 800 Hz Continuous | BC | 15/24 | 28/45 | 35/55 | 87 | 93 | 96 | 101 | 79 | 85 |
| 800/1000 Hz Fast Dual | AC | 17/32 | 34/46 | 43/58 | 85 | 92 | 95 | 101 | 79 | 85 |
| Chirp | AB | 19/23 | 35/56 | 43/64 | 89 | 90 | 93 | 104 | 79 | 85 |
| 2400 Hz Continuous | C | 21/31 | 38/59 | 46/73 | 85 | 94 | 96 | 98 | 79 | 85 |
| Bell | B | 13/19 | 23/33 | 27/41 | 85 | 91 | 91 | 98 | 75 | 82 |
| Laser | A | 17/24 | 34/47 | 43/60 | 85 | 92 | 94 | 99 | 79 | 85 |
| Electro-Mechanical (factory setting) | None | 15/27 | 30/47 | 38/59 | 85 | 92 | 93 | 100 | 79 | 85 |

* dBA measured in anechoic room at 10 feet.

1. See Tone Selection diagram below for tab clip removal and storage.

2. All models can be powered using uncoded full wave rectified, unfiltered supplies. Under no circumstances can the MA12/24 or SS12/24 Series device input voltage exceed 33 VDC or be less than 9.6 VDC.

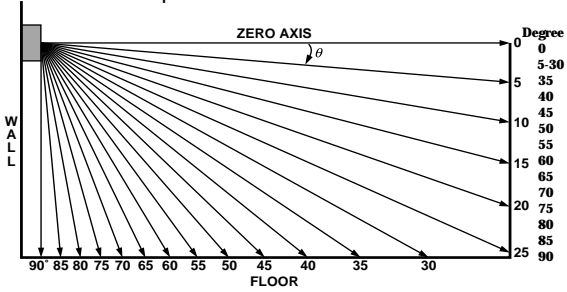
MA Sounder Tone Selection



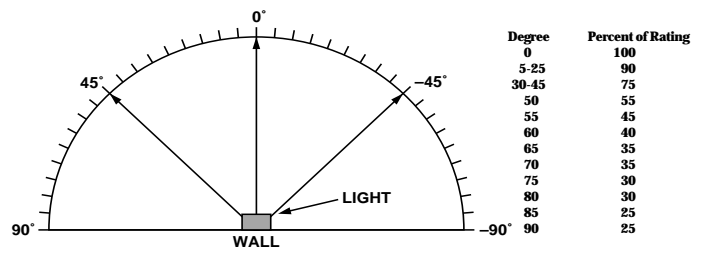
FOR STORING UNUSED CLIPS:
SLIDE COVER BACK TO ALIGN COVER SLOT
WITH CLIP STORAGE POST.

Standard Light Distribution

Vertical Dispersion

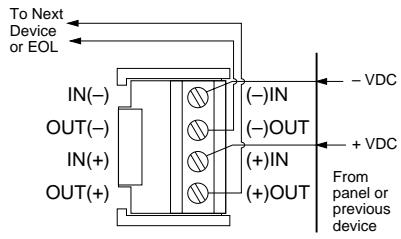


Horizontal Dispersion

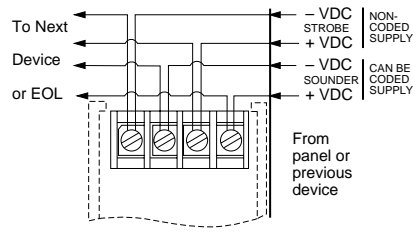


A polar light distribution in both horizontal and vertical directions is mandated for the strobes by the *Standard UL 1971 for the Hearing Impaired*, with specific minimum intensity percentages as shown in the graphs above.

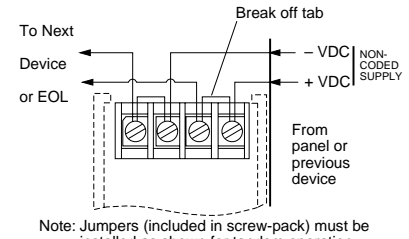
Wiring



Strobe Only



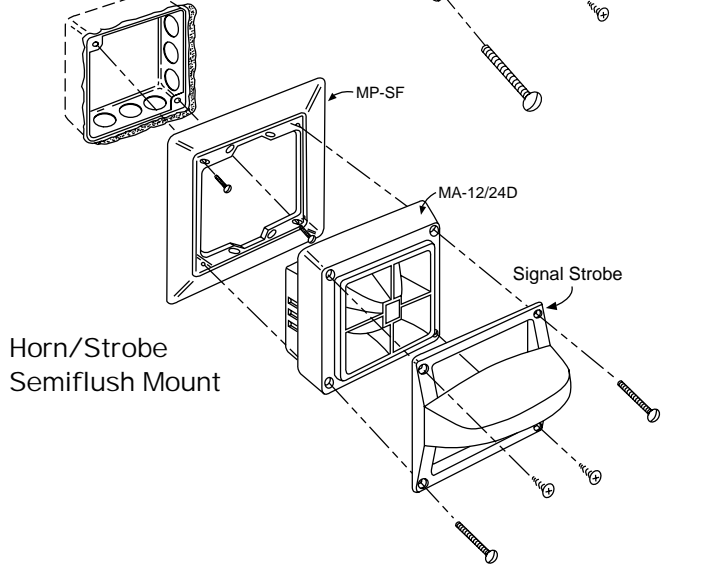
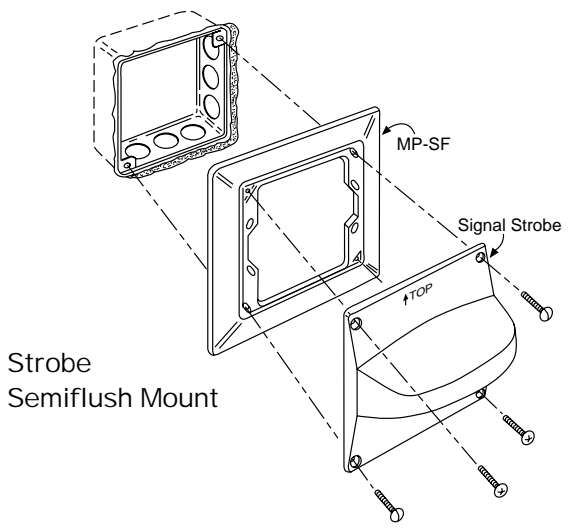
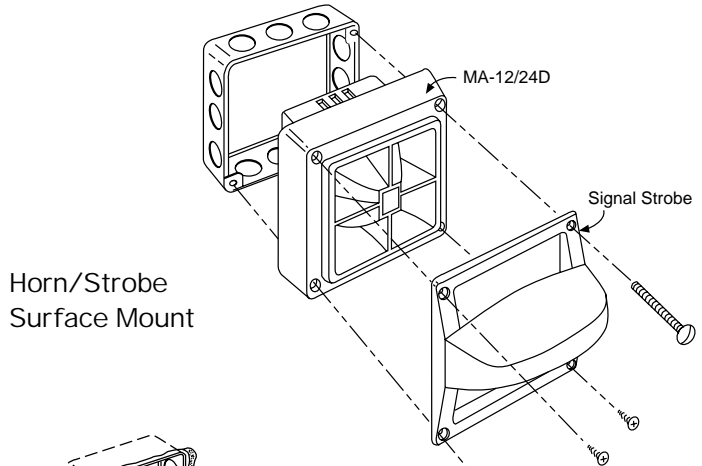
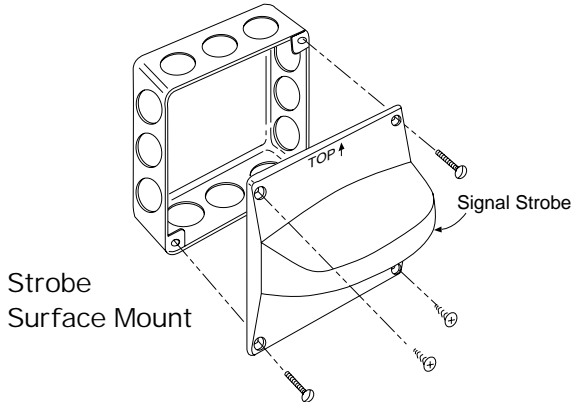
Horn/Strobe Independent



Horn/Strobe Combination

Note: Jumpers (included in screw-pack) must be installed as shown for tandem operation.

Mounting



Electrical Ratings – Strobe Only

| Model | Supply Voltage Range | Average Operating Current from Regulated Supply (mA) | In-rush Current in Excess of Peak Operating Current (mA) | Peak Operating Current (mA) | Average Operating Current from Full Wave Rectified, Unfiltered Supply (mAmps)* |
|-------------|----------------------|--|--|-----------------------------|--|
| SS2415ADA | 20-30 VDC | 75 | 0 | 180 | 90 |
| SS241575ADA | 20-30 VDC | 93 | 0 | 220 | 120 |
| SS2475ADA | 20-30 VDC | 170 | 0 | 400 | 200 |
| SS24110ADA | 20-30 VDC | 210 | 0 | 500 | 245 |
| SS1215ADA | 12-14 VDC | 170 | 0 | 380 | 200 |
| SS121575ADA | 12-14 VDC | 225 | 0 | 560 | 270 |

* For additional information, see installation manual D900-01-00

Actual 12 volt operating voltage cannot be less than 9.6 VDC or greater than 15.4 VDC; actual 24 volt operating voltage cannot be less than 16 VDC or greater than 33 VDC

Ordering Information

Models – ADA Compliant, UL 1971 Listed

| Red | Beige(B)/White(W) | Electromechanical Tone | Product | Operating Voltage | Strobe Current (Average mA) | Candela |
|---|-------------------|------------------------|-------------------------------|-------------------|-----------------------------|---------|
| Signaling Strobes | | | | | | |
| SS2415ADA | SS2415ADAB | | Signaling Strobe | 24 VDC | 75 | 15 |
| SS241575ADA | SS241575ADAB | | Signaling Strobe | 24 VDC | 93 | 15/75 |
| SS2475ADA | SS2475ADAB | | Signaling Strobe | 24 VDC | 170 | 75 |
| SS24110ADA | SS24110ADAB | | Signaling Strobe | 24 VDC | 210 | 110 |
| SS1215ADA | SS1215ADAB | | Signaling Strobe | 12 VDC | 170 | 15 |
| SS121575ADA | SS121575ADAB | | Signaling Strobe | 12 VDC | 225 | 15/75 |
| Multi-Alert Sounder with Signaling Strobe | | | | | | |
| MASS2415ADA | MASS2415ADAB | MAEH2415ADA | Sounder with Signaling Strobe | 24 VDC | * | 15 |
| MASS241575ADA | MASS241575ADAB | MAEH241575ADA | Sounder with Signaling Strobe | 24 VDC | * | 15/75 |
| MASS2475ADA | MASS2475ADAB | MAEH2475ADA | Sounder with Signaling Strobe | 24 VDC | * | 75 |
| MASS24110ADA | MASS24110ADAB | MAEH24110ADA | Sounder with Signaling Strobe | 24 VDC | * | 110 |
| MASS1215ADA | MASS1215ADAB | MAEH1215ADA | Sounder with Signaling Strobe | 12 VDC | * | 15 |
| MASS121575ADA | MASS121575ADAB | MAEH121575ADA | Sounder with Signaling Strobe | 12 VDC | * | 15/75 |
| V400 Series Speaker with Signaling Strobe | | | | | | |
| V4R2415ADA | | | Speaker with Signaling Strobe | 24 VDC | 75 | 15 |
| V4R241575ADA | | | Speaker with Signaling Strobe | 24 VDC | 93 | 15/75 |
| V4R2475ADA | | | Speaker with Signaling Strobe | 24 VDC | 170 | 75 |
| V4R24110ADA | | | Speaker with Signaling Strobe | 24 VDC | 210 | 110 |
| SP101 Series Speaker with Signaling Strobe | | | | | | |
| SP1R2415ADA | SP1W2415ADA | | Speaker with Signaling Strobe | 24 VDC | 75 | 15 |
| SP1R241575ADA | SP1W241575ADA | | Speaker with Signaling Strobe | 24 VDC | 93 | 15/75 |
| SP1R2475ADA | SP1W2475ADA | | Speaker with Signaling Strobe | 24 VDC | 170 | 75 |
| SP1R24110ADA | SP1W24110ADA | | Speaker with Signaling Strobe | 24 VDC | 210 | 110 |

*Total current = strobe current + sounder current

Note: All 1575ADA strobe products are recommended for 20' x 20' areas or less.

How to Order

SS1215ADAB

- B=Beige Strobe
- 15 = 15 cd, UL 1971 Strobe
- 1575 = 15 cd, UL 1971, 75 cd on axis
- 75 = 75 cd, UL 1971 Strobe
- 110 = 110 cd, UL 1971 Strobe
- 12 = 12 Volt
- 24 = 24 Volt
- SS = Signal Strobe
- MASS = Multi-Alert Sounder/Strobe
- MAEH = Multi-Alert Sounder/Strobe with Electromechanical Tone
- V4R = 400 Series Speaker, Red
- SP1R = SP101 Series Speaker (Strobe), Red
- SP1W = SP101 Series Speaker (Strobe), White

System Sensor Worldwide Distribution

In Canada:

System Sensor Canada
6581 Kitimat Road, Unit #7
Mississauga, Ontario
Canada L5N 3T5
Telephone: 905-812-0767
Fax: 905-812-0771

In the United Kingdom:

System Sensor Europe, Ltd.
Horsham Gates III, North St.
Horsham, West Sussex
RH13 5PJ, United Kingdom
Telephone: 44-1403-276500
Fax: 44-1403-276501

In India:

System Sensor India
A-204 Maheshwari Nagar
Orkay Mills Lane
Andheri East, Mumbai 400093
Telefax: 91-022-8202564

In the Far East:

System Sensor
Pittway Far East, Ltd.
Suite 706, New T&T Centre
7 Canton Road
Tsimshatsui, Kowloon, Hong Kong
Telephone: 852-2730-9090
Fax: 852-2736-6580