

# MPC8641 and MPC8641D Integrated Host Processor Hardware Specifications

## 1 Overview

The MPC8641 processor family integrates either one or two Power Architecture™ e600 processor cores with system logic required for networking, storage, wireless infrastructure, and general-purpose embedded applications. The MPC8641 integrates one e600 core while the MPC8641D integrates two cores.

This section provides a high-level overview of the MPC8641 and MPC8641D features. When referring to the MPC8641 throughout the document, the functionality described applies to both the MPC8641 and the MPC8641D. Any differences specific to the MPC8641D are noted.

Figure 1 shows the major functional units within the MPC8641 and MPC8641D. The major difference between the MPC8641 and MPC8641D is that there are two cores on the MPC8641D.

### Contents

1. Overview	1
2. Electrical Characteristics	5
3. Power Characteristics	13
4. Input Clocks	15
5. RESET Initialization	18
6. DDR and DDR2 SDRAM	19
7. DUART	27
8. Ethernet: Enhanced Three-Speed Ethernet (eTSEC), MII Management	28
9. Ethernet Management Interface Electrical Characteristics	42
10. Local Bus	45
11. JTAG	54
12. I <sup>2</sup> C	58
13. High-Speed Serial Interfaces (HSSI)	60
14. PCI Express	70
15. Serial RapidIO	79
16. Package	91
17. Signal Listings	95
18. Clocking	110
19. Thermal	113
20. System Design Information	122
21. Ordering Information	132
22. Document Revision History	136

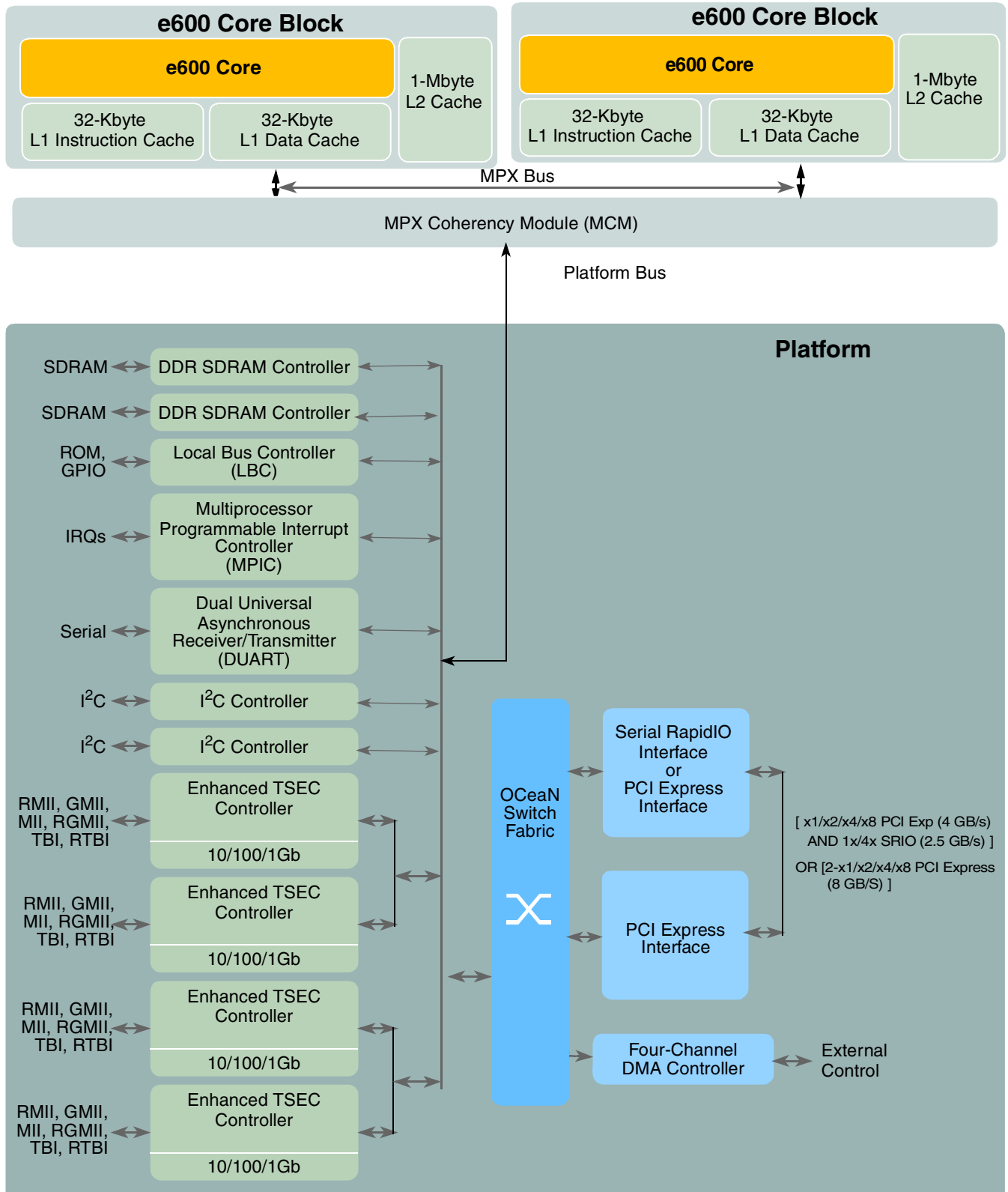


Figure 1. MPC8641 and MPC8641D

## 1.1 Key Features

The following lists an overview of the MPC8641 key feature set:

- Major features of the e600 core are as follows:
  - High-performance, 32-bit superscalar microprocessor that implements the PowerPC ISA
  - Eleven independent execution units and three register files
    - Branch processing unit (BPU)
    - Four integer units (IUs) that share 32 GPRs for integer operands
    - 64-bit floating-point unit (FPU)
    - Four vector units and a 32-entry vector register file (VRs)
    - Three-stage load/store unit (LSU)
  - Three issue queues, FIQ, VIQ, and GIQ, can accept as many as one, two, and three instructions, respectively, in a cycle.
  - Rename buffers
  - Dispatch unit
  - Completion unit
  - Two separate 32-Kbyte instruction and data level 1 (L1) caches
  - Integrated 1-Mbyte, eight-way set-associative unified instruction and data level 2 (L2) cache with ECC
  - 36-bit real addressing
  - Separate memory management units (MMUs) for instructions and data
  - Multiprocessing support features
  - Power and thermal management
  - Performance monitor
  - In-system testability and debugging features
  - Reliability and serviceability
- MPX coherency module (MCM)
  - Ten local address windows plus two default windows
  - Optional low memory offset mode for core 1 to allow for address disambiguation
- Address translation and mapping units (ATMUs)
  - Eight local access windows define mapping within local 36-bit address space
  - Inbound and outbound ATMUs map to larger external address spaces
  - Three inbound windows plus a configuration window on PCI Express
  - Four inbound windows plus a default window on serial RapidIO
  - Four outbound windows plus default translation for PCI Express
  - Eight outbound windows plus default translation for serial RapidIO with segmentation and sub-segmentation support

- DDR memory controllers
  - Dual 64-bit memory controllers (72-bit with ECC)
  - Support of up to a 300-MHz clock rate and a 600-MHz DDR2 SDRAM
  - Support for DDR, DDR2 SDRAM
  - Up to 16 Gbytes per memory controller
  - Cache line and page interleaving between memory controllers.
- Serial RapidIO interface unit
  - Supports *RapidIO Interconnect Specification*, Revision 1.2
  - Both 1x and 4x LP-Serial link interfaces
  - Transmission rates of 1.25-, 2.5-, and 3.125-Gbaud (data rates of 1.0-, 2.0-, and 2.5-Gbps) per lane
  - RapidIO-compliant message unit
  - RapidIO atomic transactions to the memory controller
- PCI Express interface
  - PCI Express 1.0a compatible
  - Supports x1, x2, x4, and x8 link widths
  - 2.5 Gbaud, 2.0 Gbps lane
- Four enhanced three-speed Ethernet controllers (eTSECs)
  - Three-speed support (10/100/1000 Mbps)
  - Four IEEE 802.3, 802.3u, 802.3x, 802.3z, 802.3ac, 802.3ab compliant controllers
  - Support of the following physical interfaces: MII, RMII, GMII, RGMII, TBI, and RTBI
  - Support a full-duplex FIFO mode for high-efficiency ASIC connectivity
  - TCP/IP off-load
  - Header parsing
  - Quality of service support
  - VLAN insertion and deletion
  - MAC address recognition
  - Buffer descriptors are backward compatible with PowerQUICC II and PowerQUICC III programming models
  - RMON statistics support
  - MII management interface for control and status
- Programmable interrupt controller (PIC)
  - Programming model is compliant with the OpenPIC architecture
  - Supports 16 programmable interrupt and processor task priority levels
  - Supports 12 discrete external interrupts and 48 internal interrupts
  - Eight global high resolution timers/counters that can generate interrupts
  - Allows processors to interrupt each other with 32b messages

- Support for PCI-Express message-shared interrupts (MSIs)
- Local bus controller (LBC)
  - Multiplexed 32-bit address and data operating at up to 133 MHz
  - Eight chip selects support eight external slaves
- Integrated DMA controller
  - Four-channel controller
  - All channels accessible by both the local and the remote masters
  - Supports transfers to or from any local memory or I/O port
  - Ability to start and flow control each DMA channel from external 3-pin interface
- Device performance monitor
  - Supports eight 32-bit counters that count the occurrence of selected events
  - Ability to count up to 512 counter-specific events
  - Supports 64 reference events that can be counted on any of the 8 counters
  - Supports duration and quantity threshold counting
  - Burstiness feature that permits counting of burst events with a programmable time between bursts
  - Triggering and chaining capability
  - Ability to generate an interrupt on overflow
- Dual I<sup>2</sup>C controllers
  - Two-wire interface
  - Multiple master support
  - Master or slave I<sup>2</sup>C mode support
  - On-chip digital filtering rejects spikes on the bus
- Boot sequencer
  - Optionally loads configuration data from serial ROM at reset via the I<sup>2</sup>C interface
  - Can be used to initialize configuration registers and/or memory
  - Supports extended I<sup>2</sup>C addressing mode
  - Data integrity checked with preamble signature and CRC
- DUART
  - Two 4-wire interfaces (SIN, SOUT,  $\overline{\text{RTS}}$ ,  $\overline{\text{CTS}}$ )
  - Programming model compatible with the original 16450 UART and the PC16550D
- IEEE 1149.1-compliant, JTAG boundary scan
- Available as 1023 pin Hi-CTE flip chip ceramic ball grid array (FC-CBGA)

## 2 Electrical Characteristics

This section provides the AC and DC electrical specifications and thermal characteristics for the MPC8641. The MPC8641 is currently targeted to these specifications.

## 2.1 Overall DC Electrical Characteristics

This section covers the ratings, conditions, and other characteristics.

### 2.1.1 Absolute Maximum Ratings

Table 1 provides the absolute maximum ratings.

**Table 1. Absolute Maximum Ratings<sup>1</sup>**

Characteristic		Symbol	Absolute Maximum Value	Unit	Notes
Cores supply voltages		$V_{DD\_Core0}$ , $V_{DD\_Core1}$	-0.3 to 1.21 V	V	2
Cores PLL supply		$AV_{DD\_Core0}$ , $AV_{DD\_Core1}$	-0.3 to 1.21 V	V	
SerDes Transceiver Supply (Ports 1 and 2)		$SV_{DD}$	-0.3 to 1.21 V	V	
SerDes Serial I/O Supply Port 1		$XV_{DD\_SRDS1}$	-0.3 to 1.21V	V	
SerDes Serial I/O Supply Port 2		$XV_{DD\_SRDS2}$	-0.3 to 1.21 V	V	
SerDes DLL and PLL supply voltage for Port 1 and Port 2		$AV_{DD\_SRDS1}$ , $AV_{DD\_SRDS2}$	-0.3 to 1.21V	V	
Platform Supply voltage		$V_{DD\_PLAT}$	-0.3 to 1.21V	V	
Local Bus and Platform PLL supply voltage		$AV_{DD\_LB}$ , $AV_{DD\_PLAT}$	-0.3 to 1.21V	V	
DDR and DDR2 SDRAM I/O supply voltages		$D1\_GV_{DD}$ , $D2\_GV_{DD}$	-0.3 to 2.75 V	V	3
			-0.3 to 1.98 V	V	3
eTSEC 1 and 2 I/O supply voltage		$LV_{DD}$	-0.3 to 3.63 V	V	4
			-0.3 to 2.75 V	V	4
eTSEC 3 and 4 I/O supply voltage		$TV_{DD}$	-0.3 to 3.63 V	V	4
			-0.3 to 2.75 V	V	4
Local Bus, DUART, DMA, Multiprocessor Interrupts, System Control & Clocking, Debug, Test, Power management, I <sup>2</sup> C, JTAG and Miscellaneous I/O voltage		$OV_{DD}$	-0.3 to 3.63V	V	
Input voltage	DDR and DDR2 SDRAM signals	$Dn\_MV_{IN}$	- 0.3 to ( $Dn\_GV_{DD} + 0.3$ )	V	5
	DDR and DDR2 SDRAM reference	$Dn\_MV_{REF}$	- 0.3 to ( $Dn\_GV_{DD}/2 + 0.3$ )	V	
	Three-speed Ethernet signals	$LV_{IN}$ $TV_{IN}$	GND to ( $LV_{DD} + 0.3$ ) GND to ( $TV_{DD} + 0.3$ )	V	5
	DUART, Local Bus, DMA, Multiprocessor Interrupts, System Control & Clocking, Debug, Test, Power management, I <sup>2</sup> C, JTAG and Miscellaneous I/O voltage	$OV_{IN}$	GND to ( $OV_{DD} + 0.3$ )	V	5

Table 1. Absolute Maximum Ratings<sup>1</sup> (continued)

Characteristic	Symbol	Absolute Maximum Value	Unit	Notes
Storage temperature range	T <sub>STG</sub>	-55 to 150	°C	

**Notes:**

- Functional and tested operating conditions are given in Table 2. Absolute maximum ratings are stress ratings only, and functional operation at the maxima is not guaranteed. Stresses beyond those listed may affect device reliability or cause permanent damage to the device.
- Core 1 characteristics apply only to MPC8641D. If two separate power supplies are used for V<sub>DD\_Core0</sub> and V<sub>DD\_Core1</sub>, they must be kept within 100 mV of each other during normal run time.
- The -0.3 to 2.75 V range is for DDR and -0.3 to 1.98 V range is for DDR2.
- The 3.63V maximum is only supported when the port is configured in GMII, MII, RMII, or TBI modes; otherwise the 2.75V maximum applies. See Section 8.2, “FIFO, GMII, MII, TBI, RGMII, RMII, and RTBI AC Timing Specifications” for details on the recommended operating conditions per protocol.
- During run time (M,L,T,O)V<sub>IN</sub> and Dn\_MV<sub>REF</sub> may overshoot/undershoot to a voltage and for a maximum duration as shown in Figure 2.

## 2.1.2 Recommended Operating Conditions

Table 2 provides the recommended operating conditions for the MPC8641. Note that the values in Table 2 are the recommended and tested operating conditions. Proper device operation outside of these conditions is not guaranteed. For details on order information and specific operating conditions for parts, see Section 21, “Ordering Information.”

Table 2. Recommended Operating Conditions

Characteristic	Symbol	Recommended Value	Unit	Notes
Cores supply voltages	V <sub>DD_Core0</sub> , V <sub>DD_Core1</sub>	1.10 ± 50 mV	V	1, 2, 8
		1.05 ± 50 mV		1, 2, 7
		0.95 ± 50 mV		1, 2, 12
Cores PLL supply	AV <sub>DD_Core0</sub> , AV <sub>DD_Core1</sub>	1.10 ± 50 mV	V	8, 13
		1.05 ± 50 mV		7, 13
		0.95 ± 50 mV		12, 13
SerDes Transceiver Supply (Ports 1 and 2)	SV <sub>DD</sub>	1.10 ± 50 mV	V	8, 11
		1.05 ± 50 mV		7, 11
SerDes Serial I/O Supply Port 1	XV <sub>DD_SRDS1</sub>	1.10 ± 50 mV	V	8
		1.05 ± 50 mV		7
SerDes Serial I/O Supply Port 2	XV <sub>DD_SRDS2</sub>	1.10 ± 50 mV	V	8
		1.05 ± 50 mV		7
SerDes DLL and PLL supply voltage for Port 1 and Port 2	AV <sub>DD_SRDS1</sub> , AV <sub>DD_SRDS2</sub>	1.10 ± 50 mV	V	8
		1.05 ± 50 mV		7
Platform Supply voltage	V <sub>DD_PLAT</sub>	1.10 ± 50 mV	V	8
		1.05 ± 50 mV		7

Table 2. Recommended Operating Conditions (continued)

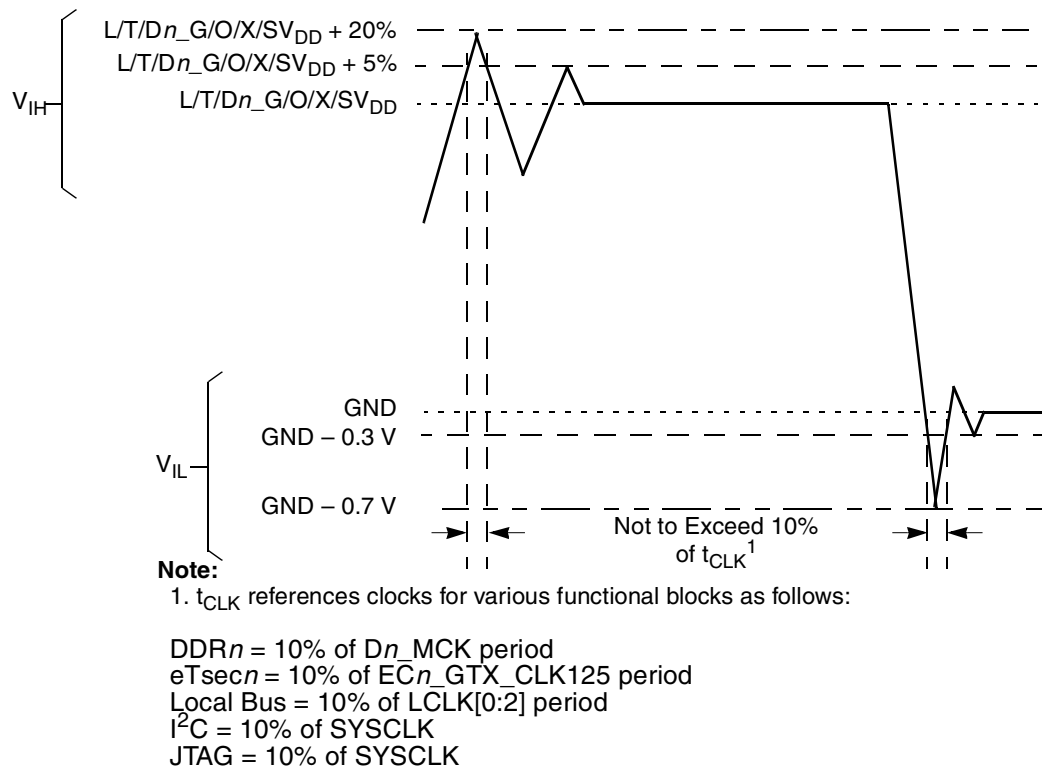
Characteristic		Symbol	Recommended Value	Unit	Notes
Local Bus and Platform PLL supply voltage		AV <sub>DD_LB</sub> , AV <sub>DD_PLAT</sub>	1.10 ± 50 mV	V	8
			1.05 ± 50 mV		7
DDR and DDR2 SDRAM I/O supply voltages		D1_GV <sub>DD</sub> , D2_GV <sub>DD</sub>	2.5 V ± 125 mV	V	9
			1.8 V ± 90 mV	V	9
eTSEC 1 and 2 I/O supply voltage		LV <sub>DD</sub>	3.3 V ± 165 mV	V	10
			2.5 V ± 125 mV	V	10
eTSEC 3 and 4 I/O supply voltage		TV <sub>DD</sub>	3.3 V ± 165 mV	V	10
			2.5 V ± 125 mV	V	10
Local Bus, DUART, DMA, Multiprocessor Interrupts, System Control & Clocking, Debug, Test, Power management, I <sup>2</sup> C, JTAG and Miscellaneous I/O voltage		OV <sub>DD</sub>	3.3 V ± 165 mV	V	5
Input voltage	DDR and DDR2 SDRAM signals	D <sub>n</sub> _MV <sub>IN</sub>	GND to D <sub>n</sub> _GV <sub>DD</sub>	V	3, 6
	DDR and DDR2 SDRAM reference	D <sub>n</sub> _MV <sub>REF</sub>	D <sub>n</sub> _GV <sub>DD</sub> /2 ± 1%	V	
	Three-speed Ethernet signals	LV <sub>IN</sub> TV <sub>IN</sub>	GND to LV <sub>DD</sub> GND to TV <sub>DD</sub>	V	4, 6
	DUART, Local Bus, DMA, Multiprocessor Interrupts, System Control & Clocking, Debug, Test, Power management, I <sup>2</sup> C, JTAG and Miscellaneous I/O voltage	OV <sub>IN</sub>	GND to OV <sub>DD</sub>	V	5,6
Junction temperature range		T <sub>J</sub>	0 to 105	°C	

**Notes:**

- Core 1 characteristics apply only to MPC8641D
- If two separate power supplies are used for V<sub>DD\_Core0</sub> and V<sub>DD\_Core1</sub>, they must be at the same nominal voltage and the individual power supplies must be tracked and kept within 100 mV of each other during normal run time.
- Caution:** D<sub>n</sub>\_MV<sub>IN</sub> must meet the overshoot/undershoot requirements for D<sub>n</sub>\_GV<sub>DD</sub> as shown in [Figure 2](#).
- Caution:** L/TV<sub>IN</sub> must meet the overshoot/undershoot requirements for L/TV<sub>DD</sub> as shown in [Figure 2](#) during regular run time.
- Caution:** OV<sub>IN</sub> must meet the overshoot/undershoot requirements for OV<sub>DD</sub> as shown in [Figure 2](#) during regular run time.
- Timing limitations for M,L,T,O)V<sub>IN</sub> and D<sub>n</sub>\_MV<sub>REF</sub> during regular run time is provided in [Figure 2](#)
- Applies to devices marked with a core frequency of 1333 MHz and below. Refer to [Table 74](#) Part Numbering Nomenclature to determine if the device has been marked for a core frequency of 1333 MHz and below.
- Applies to devices marked with a core frequency above 1333 MHz. Refer to [Table 74](#) Part Numbering Nomenclature to determine if the device has been marked for a core frequency above 1333 MHz.
- The 2.5 V ± 125 mV range is for DDR and 1.8 V ± 90 mV range is for DDR2.
- See [Section 8.2, "FIFO, GMII, MII, TBI, RGMII, RMII, and RTBI AC Timing Specifications"](#) for details on the recommended operating conditions per protocol.
- The PCI Express interface of the device is expected to receive signals from 0.175 to 1.2 V. For more information refer to [Section 14.4.3, "Differential Receiver \(RX\) Input Specifications."](#)
- Applies to Part Number MC8641xxx1000NX only. V<sub>DD\_Coren</sub> = 0.95 V and V<sub>DD\_PLAT</sub> = 1.05 V devices. Refer to [Table 74](#) Part Numbering Nomenclature to determine if the device has been marked for V<sub>DD\_Coren</sub> = 0.95 V.
- This voltage is the input to the filter discussed in [Section 20.2, "Power Supply Design and Sequencing"](#) and not necessarily the voltage at the AV<sub>DD\_Coren</sub> pin, which may be reduced from V<sub>DD\_Coren</sub> by the filter.



Figure 2 shows the overshoot and undershoot voltages at the interfaces of the MPC8641.



**Figure 2. Overshoot/Undershoot Voltage for Dn\_M/O/L/TV<sub>IN</sub>**

The MPC8641 core voltage must always be provided at nominal  $V_{DD\_Coren}$  (See Table 2 for actual recommended core voltage). Voltage to the processor interface I/Os are provided through separate sets of supply pins and must be provided at the voltages shown in Table 2. The input voltage threshold scales with respect to the associated I/O supply voltage.  $OV_{DD}$  and  $L/TV_{DD}$  based receivers are simple CMOS I/O circuits and satisfy appropriate LVCMOS type specifications. The DDR SDRAM interface uses a single-ended differential receiver referenced to each externally supplied  $Dn\_MV_{REF}$  signal (nominally set to  $Dn\_GV_{DD}/2$ ) as is appropriate for the (SSTL-18 and SSTL-25) electrical signaling standards.

### 2.1.3 Output Driver Characteristics

Table 3 provides information on the characteristics of the output driver strengths. The values are preliminary estimates.

Table 3. Output Drive Capability

Driver Type	Programmable Output Impedance ( $\Omega$ )	Supply Voltage	Notes
DDR1 signal	18 36 (half strength mode)	$Dn\_GV_{DD} = 2.5\text{ V}$	4, 9
DDR2 signal	18 36 (half strength mode)	$Dn\_GV_{DD} = 1.8\text{ V}$	1, 5, 9
Local Bus signals	45 25	$OV_{DD} = 3.3\text{ V}$	2, 6
eTSEC/10/100 signals	45	$T/LV_{DD} = 3.3\text{ V}$	6
	30	$T/LV_{DD} = 2.5\text{ V}$	6
DUART, DMA, Multiprocessor Interrupts, System Control & Clocking, Debug, Test, Power management, JTAG and Miscellaneous I/O voltage	45	$OV_{DD} = 3.3\text{ V}$	6
I <sup>2</sup> C	150	$OV_{DD} = 3.3\text{ V}$	7
SRIO, PCI Express	100	$SV_{DD} = 1.1/1.05\text{ V}$	3, 8

**Notes:**

1. See the DDR Control Driver registers in the MPC8641D reference manual for more information.
2. Only the following local bus signals have programmable drive strengths: LALE, LAD[0:31], LDP[0:3], LA[27:31], LCKE, LCS[1:2], LWE[0:3], LGPL1, LGPL2, LGPL3, LGPL4, LGPL5, LCLK[0:2]. The other local bus signals have a fixed drive strength of 45 ohms. See the POR Impedance Control register in the MPC8641D reference manual for more information about local bus signals and their drive strength programmability.
3. See [Section 17, "Signal Listings"](#) for details on resistor requirements for the calibration of  $SDn\_IMP\_CAL\_TX$  and  $SDn\_IMP\_CAL\_RX$  transmit and receive signals.
4. Stub Series Terminated Logic (SSTL-25) type pins.
5. Stub Series Terminated Logic (SSTL-18) type pins.
6. Low Voltage Transistor-Transistor Logic (LVTTTL) type pins.
7. Open Drain type pins.
8. Low Voltage Differential Signaling (LVDS) type pins.
9. The drive strength of the DDR interface in half strength mode is at  $T_j = 105\text{C}$  and at  $Dn\_GV_{DD}$  (min).

## 2.2 Power Up/Down Sequence

The MPC8641 requires its power rails to be applied in a specific sequence in order to ensure proper device operation.

### NOTE

The recommended maximum ramp up time for power supplies is 20 milliseconds.

The chronological order of power up is:

1. All power rails other than DDR I/O ( $Dn\_GV_{DD}$ , and  $Dn\_MV_{REF}$ ).

### NOTE

There is no required order sequence between the individual rails for this item (# 1). However,  $V_{DD\_PLAT}$ ,  $AV_{DD\_PLAT}$  rails must reach 90% of their recommended value before the rail for  $Dn\_GV_{DD}$ , and  $Dn\_MV_{REF}$  (in next step) reaches 10% of their recommended value.  $AV_{DD}$  type supplies must be delayed with respect to their source supplies by the RC time constant of the PLL filter circuit described in [Section 20.2.1, “PLL Power Supply Filtering”](#).

2.  $Dn\_GV_{DD}$ ,  $Dn\_MV_{REF}$

### NOTE

It is possible to leave the related power supply ( $Dn\_GV_{DD}$ ,  $Dn\_MV_{REF}$ ) turned off at reset for a DDR port that will not be used. Note that these power supplies can only be powered up again at reset for functionality to occur on the DDR port.

3. SYSCLK

The recommended order of power down is as follows:

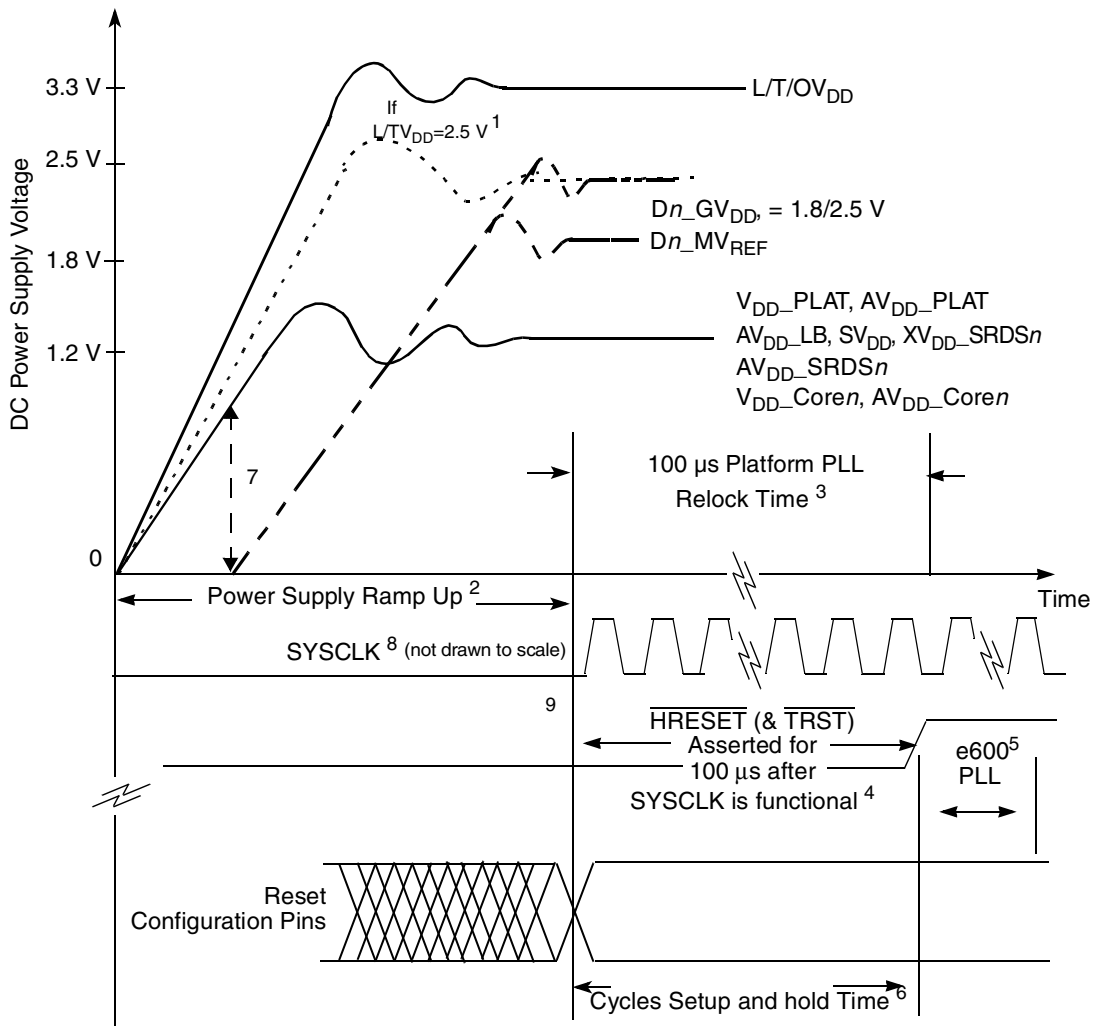
1.  $Dn\_GV_{DD}$ ,  $Dn\_MV_{REF}$
2. All power rails other than DDR I/O ( $Dn\_GV_{DD}$ ,  $Dn\_MV_{REF}$ ).

### NOTE

SYSCLK may be powered down simultaneous to either of item # 1 or # 2 in the power down sequence. Beyond this, the power supplies may power down simultaneously if the preservation of DDRn memory is not a concern.

See [Figure 3](#) for more details on the Power and Reset Sequencing details

Figure 3 illustrates the Power Up sequence as described above.



**Notes:**

1. Dotted waveforms correspond to optional supply values for a specified power supply. See Table 2.
2. The recommended maximum ramp up time for power supplies is 20 milliseconds.
3. Refer to Section 5, "RESET Initialization" for additional information on PLL relock and reset signal assertion timing requirements.
4. Refer to Table 11 for additional information on reset configuration pin setup timing requirements. In addition see Figure 68 regarding HRESET and JTAG connection details including TRST.
5. e600 PLL relock time is 100 microseconds maximum plus 255 MPX\_clk cycles.
6. Stable PLL configuration signals are required as stable SYSCLK is applied. All other POR configuration inputs are required 4 SYSCLK cycles before HRESET negation and are valid at least 2 SYSCLK cycles after HRESET has negated (hold requirement). See Section 5, "RESET Initialization" for more information on setup and hold time of reset configuration signals.
7. V<sub>DD-PLAT</sub>, AV<sub>DD-PLAT</sub> must strictly reach 90% of their recommended voltage before the rail for Dn\_GV<sub>DD</sub>, and Dn\_MV<sub>REF</sub> reaches 10% of their recommended voltage.
8. SYSCLK must be driven only AFTER the power for the various power supplies is stable.
9. In device sleep mode, the reset configuration signals for DRAM types (TSEC2\_TXD[4], TSEC2\_TX\_ER) must be valid BEFORE HRESET is asserted.

**Figure 3. MPC8641 Power-Up and Reset Sequence**

### 3 Power Characteristics

The power dissipation for the dual core MPC8641D device is shown in [Table 4](#).

**Table 4. MPC8641D Power Dissipation (Dual Core)**

Power Mode	Core Frequency (MHz)	Platform Frequency (MHz)	$V_{DD\_Coren}$ , $V_{DD\_PLAT}$ (Volts)	Junction Temperature	Power (Watts)	Notes
Typical	1500 MHz	600 MHz	1.1 V	65 °C	32.1	1, 2
Thermal				105 °C	43.4	1, 3
Maximum					49.9	1, 4
Typical	1333 MHz	533 MHz	1.05 V	65 °C	23.9	1, 2
Thermal				105 °C	30.0	1, 3
Maximum					34.1	1, 4
Typical	1250 MHz	500 MHz	1.05 V	65 °C	23.9	1, 2
Thermal				105 °C	30.0	1, 3
Maximum					34.1	1, 4
Typical	1000 MHz	400 MHz	1.05 V	65 °C	23.9	1, 2
Thermal				105 °C	30.0	1, 3
Maximum					34.1	1, 4
Typical	1000 MHz	500 MHz	0.95 V, 1.05 V	65 °C	16.2	1, 2, 5
Thermal				105 °C	21.8	1, 3, 5
Maximum					25.0	1, 4, 5

**Notes:**

1. These values specify the power consumption at nominal voltage and apply to all valid processor bus frequencies and configurations. The values do not include power dissipation for I/O supplies.
2. Typical power is an average value measured at the nominal recommended core voltage ( $V_{DD\_Coren}$ ) and 65°C junction temperature (see [Table 2](#)) while running the Dhrystone 2.1 benchmark and achieving 2.3 Dhrystone MIPs/MHz with one core at 100% efficiency and the second core at 65% efficiency.
3. Thermal power is the average power measured at nominal core voltage ( $V_{DD\_Coren}$ ) and maximum operating junction temperature (see [Table 2](#)) while running the Dhrystone 2.1 benchmark and achieving 2.3 Dhrystone MIPs/MHz on both cores and a typical workload on platform interfaces.
4. Maximum power is the maximum power measured at nominal core voltage ( $V_{DD\_Coren}$ ) and maximum operating junction temperature (see [Table 2](#)) while running a test which includes an entirely L1-cache-resident, contrived sequence of instructions which keep all the execution units maximally busy on both cores.
5. These power numbers are for Part Number MC8641Dxx1000NX only.  $V_{DD\_Coren} = 0.95$  V and  $V_{DD\_PLAT} = 1.05$  V.

The maximum power dissipation for individual power supplies of the MPC8641D is shown in Table 5.

**Table 5. MPC8641D Individual Supply Maximum Power Dissipation <sup>1</sup>**

Component Description	Supply Voltage (Volts)	Power (Watts)	Notes
Per Core voltage Supply	$V_{DD\_Core0}/V_{DD\_Core1} = 1.1 \text{ V @ } 1500 \text{ MHz}$	21.00	
Per Core PLL voltage supply	$AV_{DD\_Core0}/AV_{DD\_Core1} = 1.1 \text{ V @ } 1500 \text{ MHz}$	0.0125	
Per Core voltage Supply	$V_{DD\_Core0}/V_{DD\_Core1} = 1.05 \text{ V @ } 1333 \text{ MHz}$	17.00	
Per Core PLL voltage supply	$AV_{DD\_Core0}/AV_{DD\_Core1} = 1.05 \text{ V @ } 1333 \text{ MHz}$	0.0125	
Per Core voltage Supply	$V_{DD\_Core0}/V_{DD\_Core1} = 0.95 \text{ V @ } 1000 \text{ MHz}$	11.50	5
Per Core PLL voltage supply	$AV_{DD\_Core0}/AV_{DD\_Core1} = 0.95 \text{ V @ } 1000 \text{ MHz}$	0.0125	5
DDR Controller I/O voltage supply	$Dn\_GV_{DD} = 2.5 \text{ V @ } 400 \text{ MHz}$	0.80	2
	$Dn\_GV_{DD} = 1.8 \text{ V @ } 533 \text{ MHz}$	0.68	2
	$Dn\_GV_{DD} = 1.8 \text{ V @ } 600 \text{ MHz}$	0.77	2
16-bit FIFO @ 200 MHz eTsec 1&2/3&4 Voltage Supply	$L/TV_{DD} = 3.3 \text{ V}$	0.11	2, 3
non-FIFO eTsecn Voltage Supply	$L/TV_{DD} = 3.3 \text{ V}$	0.08	2
x8 SerDes transceiver Supply	$SV_{DD} = 1.1 \text{ V}$	0.70	2
x8 SerDes I/O Supply	$XV_{DD\_SRDSn} = 1.1 \text{ V}$	0.66	2
SerDes PLL voltage supply Port 1 or 2	$AV_{DD\_SRDS1}/AV_{DD\_SRDS2} = 1.1 \text{ V}$	0.10	
Platform I/O Supply	$OV_{DD} = 3.3 \text{ V}$	0.45	4
Platform source Supply	$V_{DD\_PLAT} = 1.1 \text{ V @ } 600 \text{ MHz}$	12.00	
Platform source Supply	$V_{DD\_PLAT} = 1.05 \text{ Vn @ } 500 \text{ MHz}$	9.80	5
Platform source Supply	$V_{DD\_PLAT} = 1.05 \text{ Vn @ } 400 \text{ MHz}$	7.70	
Platform, Local Bus PLL voltage Supply	$AV_{DD\_PLAT}, AV_{DD\_LB} = 1.1 \text{ V}$	0.0125	

Notes:

1. This is a maximum power supply number which is provided for power supply and board design information. The numbers are based on 100% bus utilization for each component. The components listed are not expected to have 100% bus usage simultaneously for all components. Actual numbers may vary based on activity.
2. Number is based on a per port/interface value.
3. This is based on one eTSEC port used. Since 16-bit FIFO mode involves two ports, the number will need to be multiplied by two for the total. The other eTSEC protocols dissipate less than this number per port. Note that the power needs to be multiplied by the number of ports used for the protocol for the total eTSEC port power dissipation.
4. This includes Local Bus, DUART, I<sup>2</sup>C, DMA, Multiprocessor Interrupts, System Control & Clocking, Debug, Test, Power management, JTAG and Miscellaneous I/O voltage.
5. These power numbers are for Part Number MC8641xxx1000NX only.  $V_{DD\_Coren} = 0.95 \text{ V}$  and  $V_{DD\_PLAT} = 1.05 \text{ V}$ .

The power dissipation for the MPC8641 single core device is shown in [Table 6](#).

**Table 6. MPC8641 Power Dissipation (Single Core)**

Power Mode	Core Frequency (MHz)	Platform Frequency (MHz)	$V_{DD\_Coren}$ , $V_{DD\_PLAT}$ (Volts)	Junction Temperature	Power (Watts)	Notes
Typical	1500 MHz	600 MHz	1.1 V	65 °C	20.3	1, 2
Thermal				105 °C	25.2	1, 3
Maxim				105 °C	28.9	1, 4
Typical	1333 MHz	533 MHz	1.05 V	65 °C	16.3	1, 2
Thermal				105 °C	20.2	1, 3
Maximum				105 °C	23.2	1, 4
Typical	1250 MHz	500 MHz	1.05 V	65 °C	16.3	1, 2
Thermal				105 °C	20.2	1, 3
Maximum				105 °C	23.2	1, 4
Typical	1000 MHz	400 MHz	1.05 V	65 °C	16.3	1, 2
Thermal				105 °C	20.2	1, 3
Maximum				105 °C	23.2	1, 4
Typical	1000 MHz	500 MHz	0.95 V, 1.05 V	65 °C	11.6	1, 2, 5
Thermal				105 °C	14.4	1, 3, 5
Maximum				105 °C	16.5	1, 4, 5

Notes:

1. These values specify the power consumption at nominal voltage and apply to all valid processor bus frequencies and configurations. The values do not include power dissipation for I/O supplies.
2. Typical power is an average value measured at the nominal recommended core voltage ( $V_{DD\_Coren}$ ) and 65°C junction temperature (see [Table 2](#)) while running the Dhrystone 2.1 benchmark and achieving 2.3 Dhrystone MIPs/MHz.
3. Thermal power is the average power measured at nominal core voltage ( $V_{DD\_Coren}$ ) and maximum operating junction temperature (see [Table 2](#)) while running the Dhrystone 2.1 benchmark and achieving 2.3 Dhrystone MIPs/MHz and a typical workload on platform interfaces.
4. Maximum power is the maximum power measured at nominal core voltage ( $V_{DD\_Coren}$ ) and maximum operating junction temperature (see [Table 2](#)) while running a test which includes an entirely L1-cache-resident, contrived sequence of instructions which keep all the execution units maximally busy.
5. These power numbers are for Part Number MC8641xx1000NX only.  $V_{DD\_Coren} = 0.95$  V and  $V_{DD\_PLAT} = 1.05$  V.

## 4 Input Clocks

[Table 7](#) provides the system clock (SYSCLK) DC specifications for the MPC8641.

**Table 7. SYSCLK DC Electrical Characteristics** ( $OV_{DD} = 3.3 \text{ V} \pm 165 \text{ mV}$ )

Parameter	Symbol	Min	Max	Unit
High-level input voltage	$V_{IH}$	2	$OV_{DD} + 0.3$	V
Low-level input voltage	$V_{IL}$	-0.3	0.8	V
Input current ( $V_{IN}^1 = 0 \text{ V}$ or $V_{IN} = V_{DD}$ )	$I_{IN}$	—	$\pm 5$	$\mu\text{A}$

**Note:**

- Note that the symbol  $V_{IN}$ , in this case, represents the  $OV_{IN}$  symbol referenced in [Table 1](#) and [Table 2](#).

## 4.1 System Clock Timing

[Table 8](#) provides the system clock (SYSCLK) AC timing specifications for the MPC8641.

**Table 8. SYSCLK AC Timing Specifications**

At recommended operating conditions (see [Table 2](#)) with  $OV_{DD} = 3.3 \text{ V} \pm 165 \text{ mV}$ .

Parameter/Condition	Symbol	Min	Typical	Max	Unit	Notes
SYSCLK frequency	$f_{\text{SYSCLK}}$	66	—	166.66	MHz	1
SYSCLK cycle time	$t_{\text{SYSCLK}}$	6	—	—	ns	—
SYSCLK rise and fall time	$t_{KH}, t_{KL}$	0.6	1.0	1.2	ns	2
SYSCLK duty cycle	$t_{KH}/t_{\text{SYSCLK}}$	40	—	60	%	3
SYSCLK jitter	—	—	—	150	ps	4, 5

**Notes:**

- Caution:** The MPX clock to SYSCLK ratio and e600 core to MPX clock ratio settings must be chosen such that the resulting SYSCLK frequency, e600 (core) frequency, and MPX clock frequency do not exceed their respective maximum or minimum operating frequencies. Refer to [Section 18.2, “MPX to SYSCLK PLL Ratio”](#), and [Section 18.3, “e600 to MPX clock PLL Ratio”](#), for ratio settings.
- Rise and fall times for SYSCLK are measured at 0.4 V and 2.7 V.
- Timing is guaranteed by design and characterization.
- This represents the short term jitter only and is guaranteed by design.
- The SYSCLK driver's closed loop jitter bandwidth should be <500 kHz at -20 dB. The bandwidth must be set low to allow cascade-connected PLL-based devices to track SYSCLK drivers with the specified jitter. Note that the frequency modulation for SYSCLK reduces significantly for the spread spectrum source case. This is to guarantee what is supported based on design.

### 4.1.1 SYSCLK and Spread Spectrum Sources

Spread spectrum clock sources are an increasingly popular way to control electromagnetic interference emissions (EMI) by spreading the emitted noise to a wider spectrum and reducing the peak noise magnitude in order to meet industry and government requirements. These clock sources intentionally add long-term jitter in order to diffuse the EMI spectral content. The jitter specification given in [Table 8](#) considers short-term (cycle-to-cycle) jitter only and the clock generator's cycle-to-cycle output jitter should meet the MPC8641 input cycle-to-cycle jitter requirement. Frequency modulation and spread are separate concerns, and the MPC8641 is compatible with spread spectrum sources if the recommendations listed in [Table 9](#) are observed.



**Table 9. Spread Spectrum Clock Source Recommendations**

At recommended operating conditions. See [Table 2](#).

Parameter	Min	Max	Unit	Notes
Frequency modulation	—	50	kHz	1
Frequency spread	—	1.0	%	1, 2

**Notes:**

1. Guaranteed by design.
2. SYSCLK frequencies resulting from frequency spreading, and the resulting core and VCO frequencies, must meet the minimum and maximum specifications given in [Table 8](#).

It is imperative to note that the processor's minimum and maximum SYSCLK, core, and VCO frequencies must not be exceeded regardless of the type of clock source. Therefore, systems in which the processor is operated at its maximum rated e600 core frequency should avoid violating the stated limits by using down-spreading only.

$SDn\_REF\_CLK$  and  $\overline{SDn\_REF\_CLK}$  was designed to work with a spread spectrum clock (+0 to 0.5% spreading at 30-33kHz rate is allowed), assuming both ends have same reference clock. For better results use a source without significant unintended modulation.

## 4.2 Real Time Clock Timing

The RTC input is sampled by the platform clock (MPX clock). The output of the sampling latch is then used as an input to the counters of the PIC. There is no jitter specification. The minimum pulse width of the RTC signal should be greater than 2x the period of the MPX clock. That is, minimum clock high time is  $2 \times t_{MPX}$ , and minimum clock low time is  $2 \times t_{MPX}$ . There is no minimum RTC frequency; RTC may be grounded if not needed.

## 4.3 eTSEC Gigabit Reference Clock Timing

[Table 10](#) provides the eTSEC gigabit reference clocks (EC1\_GTX\_CLK125 and EC2\_GTX\_CLK125) AC timing specifications for the MPC8641.

**Table 10. ECn\_GTX\_CLK125 AC Timing Specifications**

Parameter/Condition	Symbol	Min	Typical	Max	Unit	Notes
ECn_GTX_CLK125 frequency	$f_{G125}$	—	125 ±100 ppm	—	MHz	3
ECn_GTX_CLK125 cycle time	$t_{G125}$	—	8	—	ns	
ECn_GTX_CLK125 peak-to-peak jitter	$t_{G125J}$	—	—	250	ps	1

**Table 10. EC<sub>n</sub>\_GTX\_CLK125 AC Timing Specifications (continued)**

EC <sub>n</sub> _GTX_CLK125 duty cycle GMII, TBI 1000Base-T for RGMII, RTBI	t <sub>G125H</sub> /t <sub>G125</sub>	45	—	55	%	1, 2
		47		53		

**Notes:**

- Timing is guaranteed by design and characterization.
- EC<sub>n</sub>\_GTX\_CLK125 is used to generate the GTX clock for the eTSEC transmitter with 2% degradation. EC<sub>n</sub>\_GTX\_CLK125 duty cycle can be loosened from 47/53% as long as the PHY device can tolerate the duty cycle generated by the eTSEC GTX\_CLK. See [Section 8.2.6, “RGMII and RTBI AC Timing Specifications”](#) for duty cycle for 10Base-T and 100Base-T reference clock.
- ±100 ppm tolerance on EC<sub>n</sub>\_GTX\_CLK125 frequency

**NOTE**

The phase between the output clocks TSEC1\_GTX\_CLK and TSEC2\_GTX\_CLK (ports 1 and 2) is no more than 100 ps. The phase between the output clocks TSEC3\_GTX\_CLK and TSEC4\_GTX\_CLK (ports 3 and 4) is no more than 100 ps.

## 4.4 Platform Frequency Requirements for PCI-Express and Serial RapidIO

The MPX platform clock frequency must be considered for proper operation of the high-speed PCI Express and Serial RapidIO interfaces as described below.

For proper PCI Express operation, the MPX clock frequency must be greater than or equal to:

$$\frac{527 \text{ MHz} \times (\text{PCI-Express link width})}{16 / (1 + \text{cfg\_plat\_freq})}$$

Note that at MPX = 400 MHz, cfg\_plat\_freq = 0 and at MPX > 400 MHz, cfg\_plat\_freq = 1. Therefore, when operating PCI Express in x8 link width, the MPX platform frequency must be 400 MHz with cfg\_plat\_freq = 0 or greater than or equal to 527 MHz with cfg\_plat\_freq = 1.

For proper Serial RapidIO operation, the MPX clock frequency must be greater than:

$$\frac{2 \times (0.80) \times (\text{Serial RapidIO interface frequency}) \times (\text{Serial RapidIO link width})}{64}$$

## 4.5 Other Input Clocks

For information on the input clocks of other functional blocks of the platform such as SerDes, and eTSEC, see the specific section of this document.

# 5 RESET Initialization

This section describes the AC electrical specifications for the RESET initialization timing requirements of the MPC8641. [Table 11](#) provides the RESET initialization AC timing specifications.

**Table 11. RESET Initialization Timing Specifications**

Parameter/Condition	Min	Max	Unit	Notes
Required assertion time of $\overline{\text{HRESET}}$	100	—	$\mu\text{s}$	
Minimum assertion time for $\overline{\text{SRESET}}_0$ & $\overline{\text{SRESET}}_1$	3	—	SYSCLKs	1
Platform PLL input setup time with stable SYSCLK before $\overline{\text{HRESET}}$ negation	100	—	$\mu\text{s}$	2
Input setup time for POR configs (other than PLL config) with respect to negation of $\overline{\text{HRESET}}$	4	—	SYSCLKs	1
Input hold time for all POR configs (including PLL config) with respect to negation of $\overline{\text{HRESET}}$	2	—	SYSCLKs	1
Maximum valid-to-high impedance time for actively driven POR configs with respect to negation of $\overline{\text{HRESET}}$	—	5	SYSCLKs	1

**Notes:**

1. SYSCLK is the primary clock input for the MPC8641.
- 2 This is related to  $\overline{\text{HRESET}}$  assertion time. Stable PLL configuration inputs are required when a stable SYSCLK is applied. See the *MPC8641D Integrated Host Processor Reference Manual* for more details on the power-on reset sequence.

Table 12 provides the PLL lock times.

**Table 12. PLL Lock Times**

Parameter/Condition	Min	Max	Unit	Notes
(Platform and E600) PLL lock times	—	100	$\mu\text{s}$	1
Local bus PLL	—	50	$\mu\text{s}$	

**Notes:**

1. The PLL lock time for e600 PLLs require an additional 255 MPX\_CLK cycles.

## 6 DDR and DDR2 SDRAM

This section describes the DC and AC electrical specifications for the DDR SDRAM interface of the MPC8641. Note that DDR SDRAM is  $Dn\_GV_{DD}(\text{typ}) = 2.5 \text{ V}$  and DDR2 SDRAM is  $Dn\_GV_{DD}(\text{typ}) = 1.8 \text{ V}$ .

### 6.1 DDR SDRAM DC Electrical Characteristics

Table 13 provides the recommended operating conditions for the DDR2 SDRAM component(s) of the MPC8641 when  $Dn\_GV_{DD}(\text{typ}) = 1.8 \text{ V}$ .

**Table 13. DDR2 SDRAM DC Electrical Characteristics for  $Dn\_GV_{DD}(typ) = 1.8\text{ V}$**

Parameter/Condition	Symbol	Min	Max	Unit	Notes
I/O supply voltage	$Dn\_GV_{DD}$	1.71	1.89	V	1
I/O reference voltage	$Dn\_MV_{REF}$	$0.49 \times Dn\_GV_{DD}$	$0.51 \times Dn\_GV_{DD}$	V	2
I/O termination voltage	$V_{TT}$	$Dn\_MV_{REF} - 0.04$	$Dn\_MV_{REF} + 0.04$	V	3
Input high voltage	$V_{IH}$	$Dn\_MV_{REF} + 0.125$	$Dn\_GV_{DD} + 0.3$	V	
Input low voltage	$V_{IL}$	-0.3	$Dn\_MV_{REF} - 0.125$	V	
Output leakage current	$I_{OZ}$	-50	50	$\mu\text{A}$	4
Output high current ( $V_{OUT} = 1.420\text{ V}$ )	$I_{OH}$	-13.4	—	mA	
Output low current ( $V_{OUT} = 0.280\text{ V}$ )	$I_{OL}$	13.4	—	mA	

**Notes:**

- $Dn\_GV_{DD}$  is expected to be within 50 mV of the DRAM  $Dn\_GV_{DD}$  at all times.
- $Dn\_MV_{REF}$  is expected to be equal to  $0.5 \times Dn\_GV_{DD}$ , and to track  $Dn\_GV_{DD}$  DC variations as measured at the receiver. Peak-to-peak noise on  $Dn\_MV_{REF}$  may not exceed  $\pm 2\%$  of the DC value.
- $V_{TT}$  is not applied directly to the device. It is the supply to which far end signal termination is made and is expected to be equal to  $Dn\_MV_{REF}$ . This rail should track variations in the DC level of  $Dn\_MV_{REF}$ .
- Output leakage is measured with all outputs disabled,  $0\text{ V} \leq V_{OUT} \leq Dn\_GV_{DD}$ .

Table 14 provides the DDR2 capacitance when  $Dn\_GV_{DD}(typ) = 1.8\text{ V}$ .

**Table 14. DDR2 SDRAM Capacitance for  $Dn\_GV_{DD}(typ)=1.8\text{ V}$**

Parameter/Condition	Symbol	Min	Max	Unit	Notes
Input/output capacitance: DQ, DQS, $\overline{DQS}$	$C_{IO}$	6	8	pF	1
Delta input/output capacitance: DQ, DQS, $\overline{DQS}$	$C_{DIO}$	—	0.5	pF	1

**Note:**

- This parameter is sampled.  $Dn\_GV_{DD} = 1.8\text{ V} \pm 0.090\text{ V}$ ,  $f = 1\text{ MHz}$ ,  $T_A = 25^\circ\text{C}$ ,  $V_{OUT} = Dn\_GV_{DD}/2$ ,  $V_{OUT}$  (peak-to-peak) = 0.2 V.

Table 15 provides the recommended operating conditions for the DDR SDRAM component(s) when  $Dn\_GV_{DD}(typ) = 2.5\text{ V}$ .

**Table 15. DDR SDRAM DC Electrical Characteristics for  $Dn\_GV_{DD}(typ) = 2.5\text{ V}$**

Parameter/Condition	Symbol	Min	Max	Unit	Notes
I/O supply voltage	$Dn\_GV_{DD}$	2.375	2.625	V	1
I/O reference voltage	$Dn\_MV_{REF}$	$0.49 \times Dn\_GV_{DD}$	$0.51 \times Dn\_GV_{DD}$	V	2
I/O termination voltage	$V_{TT}$	$Dn\_MV_{REF} - 0.04$	$Dn\_MV_{REF} + 0.04$	V	3
Input high voltage	$V_{IH}$	$Dn\_MV_{REF} + 0.15$	$Dn\_GV_{DD} + 0.3$	V	
Input low voltage	$V_{IL}$	-0.3	$Dn\_MV_{REF} - 0.15$	V	
Output leakage current	$I_{OZ}$	-50	50	$\mu\text{A}$	4
Output high current ( $V_{OUT} = 1.95\text{ V}$ )	$I_{OH}$	-16.2	—	mA	
Output low current ( $V_{OUT} = 0.35\text{ V}$ )	$I_{OL}$	16.2	—	mA	

**Notes:**

- $Dn\_GV_{DD}$  is expected to be within 50 mV of the DRAM  $Dn\_GV_{DD}$  at all times.
- $MV_{REF}$  is expected to be equal to  $0.5 \times Dn\_GV_{DD}$ , and to track  $Dn\_GV_{DD}$  DC variations as measured at the receiver. Peak-to-peak noise on  $Dn\_MV_{REF}$  may not exceed  $\pm 2\%$  of the DC value.
- $V_{TT}$  is not applied directly to the device. It is the supply to which far end signal termination is made and is expected to be equal to  $Dn\_MV_{REF}$ . This rail should track variations in the DC level of  $Dn\_MV_{REF}$ .
- Output leakage is measured with all outputs disabled,  $0\text{ V} \leq V_{OUT} \leq Dn\_GV_{DD}$ .

Table 16 provides the DDR capacitance when  $Dn\_GV_{DD}(typ) = 2.5\text{ V}$ .

**Table 16. DDR SDRAM Capacitance for  $Dn\_GV_{DD}(typ) = 2.5\text{ V}$**

Parameter/Condition	Symbol	Min	Max	Unit	Notes
Input/output capacitance: DQ, DQS	$C_{IO}$	6	8	pF	1
Delta input/output capacitance: DQ, DQS	$C_{DIO}$	—	0.5	pF	1

**Note:**

- This parameter is sampled.  $Dn\_GV_{DD} = 2.5\text{ V} \pm 0.125\text{ V}$ ,  $f = 1\text{ MHz}$ ,  $T_A = 25^\circ\text{C}$ ,  $V_{OUT} = Dn\_GV_{DD}/2$ ,  $V_{OUT}$  (peak-to-peak) = 0.2 V.

Table 17 provides the current draw characteristics for  $MV_{REF}$ .

**Table 17. Current Draw Characteristics for  $MV_{REF}$**

Parameter / Condition	Symbol	Min	Max	Unit	Note
Current draw for $MV_{REF}$	$I_{MV_{REF}}$	—	500	$\mu\text{A}$	1

- The voltage regulator for  $MV_{REF}$  must be able to supply up to 500  $\mu\text{A}$  current.

## 6.2 DDR SDRAM AC Electrical Characteristics

This section provides the AC electrical characteristics for the DDR SDRAM interface.

### 6.2.1 DDR SDRAM Input AC Timing Specifications

Table 18 provides the input AC timing specifications for the DDR2 SDRAM when  $Dn\_GV_{DD}(typ)=1.8$  V.

**Table 18. DDR2 SDRAM Input AC Timing Specifications for 1.8-V Interface**

At recommended operating conditions

Parameter	Symbol	Min	Max	Unit	Notes
AC input low voltage 400, 533 MHz 600 MHz	$V_{IL}$	—	$Dn\_MV_{REF} - 0.25$ $Dn\_MV_{REF} - 0.20$	V	
AC input high voltage 400, 533 MHz 600 MHz	$V_{IH}$	$Dn\_MV_{REF} + 0.25$ $Dn\_MV_{REF} + 0.20$	—	V	

Table 19 provides the input AC timing specifications for the DDR SDRAM when  $Dn\_GV_{DD}(typ)=2.5$  V.

**Table 19. DDR SDRAM Input AC Timing Specifications for 2.5-V Interface**

At recommended operating conditions.

Parameter	Symbol	Min	Max	Unit	Notes
AC input low voltage	$V_{IL}$	—	$Dn\_MV_{REF} - 0.31$	V	
AC input high voltage	$V_{IH}$	$Dn\_MV_{REF} + 0.31$	—	V	

Table 20 provides the input AC timing specifications for the DDR SDRAM interface.

**Table 20. DDR SDRAM Input AC Timing Specifications**

At recommended operating conditions.

Parameter	Symbol	Min	Max	Unit	Notes
Controller Skew for MDQS—MDQ/MECC	$t_{CISKEW}$			ps	1, 2
600 MHz		–240	240		3
533 MHz		–300	300		3
400 MHz		–365	365		

**Note:**

- $t_{CISKEW}$  represents the total amount of skew consumed by the controller between MDQS[n] and any corresponding bit that will be captured with MDQS[n]. This should be subtracted from the total timing budget.
- The amount of skew that can be tolerated from MDQS to a corresponding MDQ signal is called  $t_{DISKEW}$ . This can be determined by the following equation:  $t_{DISKEW} = \pm(T/4 - \text{abs}(t_{CISKEW}))$  where T is the clock period and  $\text{abs}(t_{CISKEW})$  is the absolute value of  $t_{CISKEW}$ .
- Maximum DDR1 frequency is 400 MHz.

Figure 4 shows the DDR SDRAM input timing for the MDQS to MDQ skew measurement ( $t_{DISKEW}$ ).

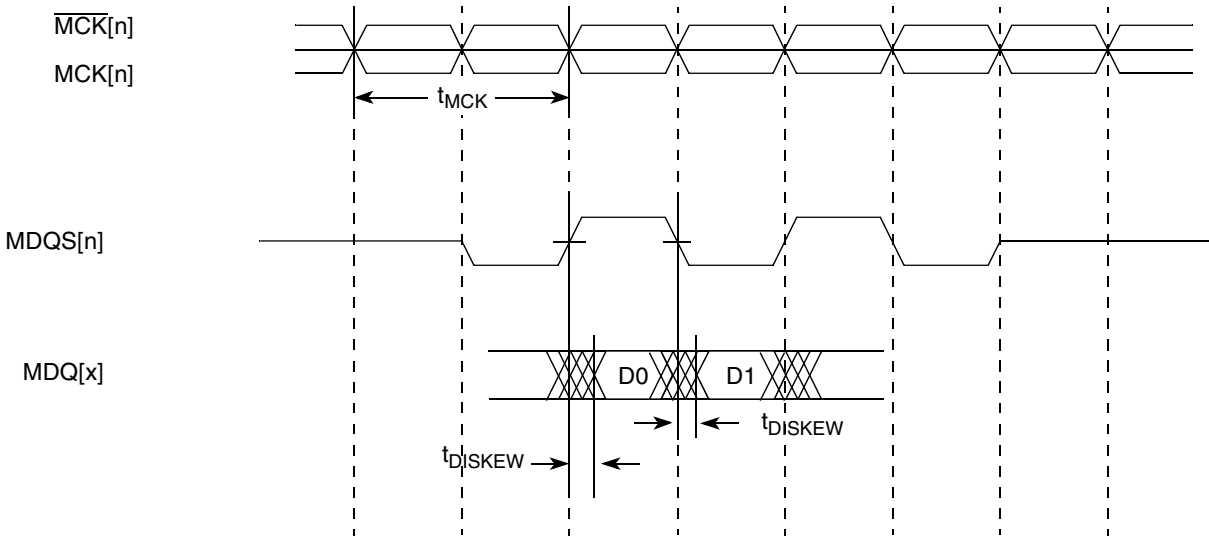


Figure 4. DDR Input Timing Diagram for  $t_{DISKEW}$

## 6.2.2 DDR SDRAM Output AC Timing Specifications

**Table 21. DDR SDRAM Output AC Timing Specifications**

At recommended operating conditions.

Parameter	Symbol <sup>1</sup>	Min	Max	Unit	Notes
MCK[n] cycle time, MCK[n]/MCK[n] crossing	$t_{MCK}$	3	10	ns	2
MCK duty cycle	$t_{MCKH}/t_{MCK}$			%	
600 MHz		47.5	52.5		8
533 MHz		47	53		9
400 MHz		47	53		9
ADDR/CMD output setup with respect to MCK	$t_{DDKHAS}$			ns	3
600 MHz		1.10	—		7
533 MHz		1.48	—		7
400 MHz		1.95	—		
ADDR/CMD output hold with respect to MCK	$t_{DDKHAX}$			ns	3
600 MHz		1.10	—		7
533 MHz		1.48	—		7
400 MHz		1.95	—		
MCS[n] output setup with respect to MCK	$t_{DDKHCS}$			ns	3
600 MHz		1.10	—		7
533 MHz		1.48	—		7
400 MHz		1.95	—		
MCS[n] output hold with respect to MCK	$t_{DDKHXC}$			ns	3
600 MHz		1.10	—		7
533 MHz		1.48	—		7
400 MHz		1.95	—		
MCK to MDQS Skew	$t_{DDKMHM}$	-0.6	0.6	ns	4
MDQ/MECC/MDM output setup with respect to MDQS	$t_{DDKHDS}$ , $t_{DDKLDS}$			ps	5
600 MHz		500	—		7
533 MHz		590	—		7
400 MHz		700	—		
MDQ/MECC/MDM output hold with respect to MDQS	$t_{DDKHDX}$ , $t_{DDKLDX}$			ps	5
600 MHz		500	—		7
533 MHz		590	—		7
400 MHz		700	—		
MDQS preamble start	$t_{DDKHMP}$	$-0.5 \times t_{MCK} - 0.6$	$-0.5 \times t_{MCK} + 0.6$	ns	6



**Table 21. DDR SDRAM Output AC Timing Specifications (continued)**

At recommended operating conditions.

Parameter	Symbol <sup>1</sup>	Min	Max	Unit	Notes
MDQS epilogue end	$t_{DDKHME}$	-0.6	0.6	ns	6

**Note:**

- The symbols used for timing specifications follow the pattern of  $t_{(\text{first two letters of functional block})(\text{signal})(\text{state})}$  for inputs and  $t_{(\text{reference})(\text{state})(\text{first two letters of functional block})(\text{reference})(\text{state})(\text{signal})(\text{state})}$  for outputs. Output hold time can be read as DDR timing (DD) from the rising or falling edge of the reference clock (KH or KL) until the output went invalid (AX or DX). For example,  $t_{DDKHAS}$  symbolizes DDR timing (DD) for the time  $t_{MCK}$  memory clock reference (K) goes from the high (H) state until outputs (A) are setup (S) or output valid time. Also,  $t_{DDKLDX}$  symbolizes DDR timing (DD) for the time  $t_{MCK}$  memory clock reference (K) goes low (L) until data outputs (D) are invalid (X) or data output hold time.
- All MCK/ $\overline{MCK}$  referenced measurements are made from the crossing of the two signals  $\pm 0.1$  V.
- ADDR/CMD includes all DDR SDRAM output signals except MCK/ $\overline{MCK}$ ,  $\overline{MCS}$ , and MDQ/MECC/MDM/MDQS.
- Note that  $t_{DDKHMH}$  follows the symbol conventions described in note 1. For example,  $t_{DDKHMH}$  describes the DDR timing (DD) from the rising edge of the MCK[n] clock (KH) until the MDQS signal is valid (MH).  $t_{DDKHMH}$  can be modified through control of the DQS override bits (called WR\_DATA\_DELAY) in the TIMING\_CFG\_2 register. This will typically be set to the same delay as the clock adjust in the CLK\_CNTL register. The timing parameters listed in the table assume that these 2 parameters have been set to the same adjustment value. See the *MPC8641 Integrated Processor Reference Manual* for a description and understanding of the timing modifications enabled by use of these bits.
- Determined by maximum possible skew between a data strobe (MDQS) and any corresponding bit of data (MDQ), ECC (MECC), or data mask (MDM). The data strobe should be centered inside of the data eye at the pins of the microprocessor.
- All outputs are referenced to the rising edge of MCK[n] at the pins of the microprocessor. Note that  $t_{DDKHMP}$  follows the symbol conventions described in note 1.
- Maximum DDR1 frequency is 400 MHz
- Per the JEDEC spec the DDR2 duty cycle at 600 MHz is the average low and high cycle time values that are defined as the average pulse widths calculated across any consecutive 200 pulses. Jitter can sometimes force single low and high cycle times to drift from the average values.  $t_{JIT} = \pm 125$  ps.
- Per the JEDEC spec the DDR2 duty cycle at 400 and 533 MHz is the low and high cycle time values.

**NOTE**

For the ADDR/CMD setup and hold specifications in [Table 21](#), it is assumed that the Clock Control register is set to adjust the memory clocks by 1/2 applied cycle.

Figure 5 shows the DDR SDRAM output timing for the MCK to MDQS skew measurement ( $t_{DDKHMH}$ ).

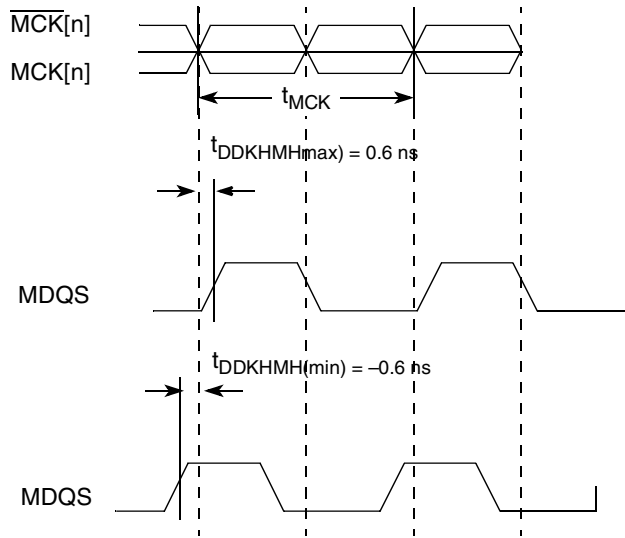


Figure 5. Timing Diagram for  $t_{DDKHMH}$

Figure 6 shows the DDR SDRAM output timing diagram.

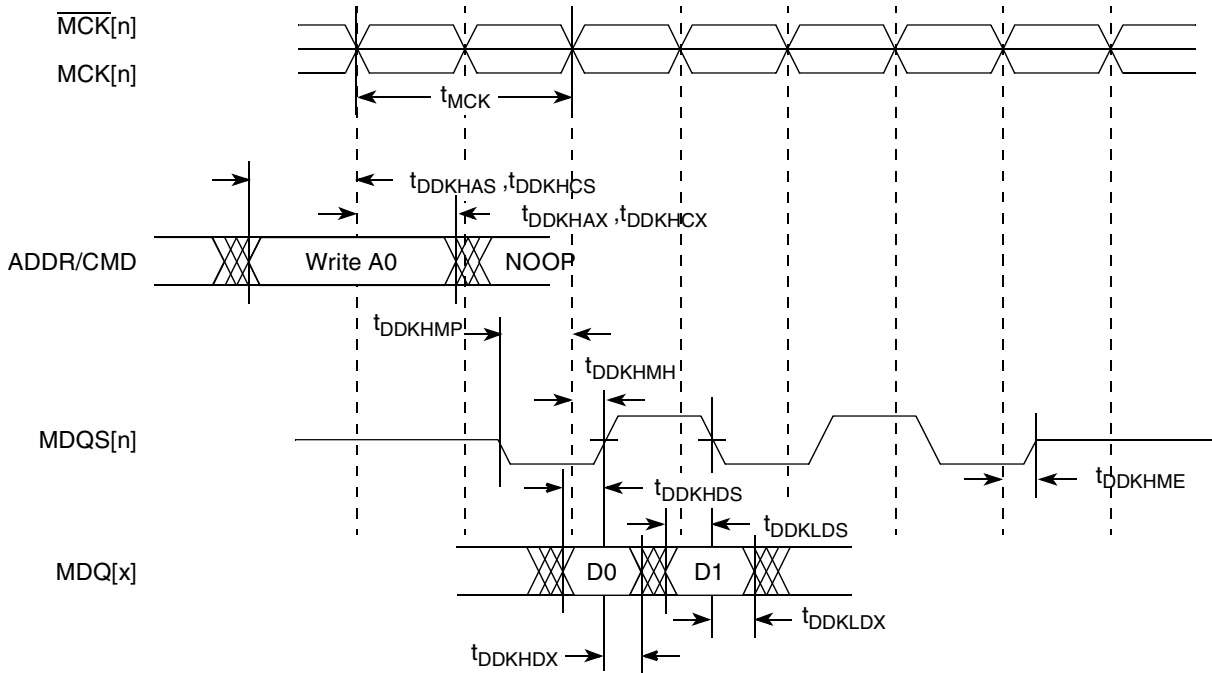


Figure 6. DDR SDRAM Output Timing Diagram

Figure 7 provides the AC test load for the DDR bus.

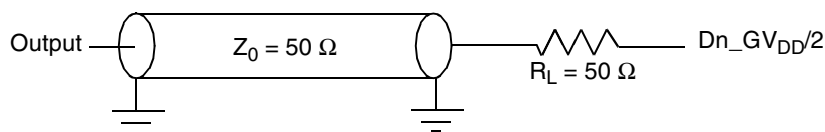


Figure 7. DDR AC Test Load

## 7 DUART

This section describes the DC and AC electrical specifications for the DUART interface of the MPC8641.

### 7.1 DUART DC Electrical Characteristics

Table 22 provides the DC electrical characteristics for the DUART interface.

Table 22. DUART DC Electrical Characteristics

Parameter	Symbol	Min	Max	Unit
High-level input voltage	$V_{IH}$	2	$OV_{DD} + 0.3$	V
Low-level input voltage	$V_{IL}$	-0.3	0.8	V
Input current ( $V_{IN} = 0$ V or $V_{IN} = V_{DD}$ )	$I_{IN}$	—	±5	μA
High-level output voltage ( $OV_{DD} = \text{min}$ , $I_{OH} = -100$ μA)	$V_{OH}$	$OV_{DD} - 0.2$	—	V
Low-level output voltage ( $OV_{DD} = \text{min}$ , $I_{OL} = 100$ μA)	$V_{OL}$	—	0.2	V

**Note:**

- Note that the symbol  $V_{IN}$ , in this case, represents the  $OV_{IN}$  symbol referenced in Table 1 and Table 2.

### 7.2 DUART AC Electrical Specifications

Table 23 provides the AC timing parameters for the DUART interface.

Table 23. DUART AC Timing Specifications

Parameter	Value	Unit	Notes
Minimum baud rate	MPX clock/1,048,576	baud	1,2
Maximum baud rate	MPX clock/16	baud	1,3
Oversample rate	16	—	1,4

**Notes:**

1. Guaranteed by design.
2. MPX clock refers to the platform clock.
3. Actual attainable baud rate will be limited by the latency of interrupt processing.
4. The middle of a start bit is detected as the 8<sup>th</sup> sampled 0 after the 1-to-0 transition of the start bit. Subsequent bit values are sampled each 16<sup>th</sup> sample.

## 8 Ethernet: Enhanced Three-Speed Ethernet (eTSEC), MII Management

This section provides the AC and DC electrical characteristics for enhanced three-speed and MII management.

### 8.1 Enhanced Three-Speed Ethernet Controller (eTSEC) (10/100/1Gb Mbps)—GMII/MII/TBI/RGMII/RTBI/RMII Electrical Characteristics

The electrical characteristics specified here apply to all gigabit media independent interface (GMII), media independent interface (MII), ten-bit interface (TBI), reduced gigabit media independent interface (RGMII), reduced ten-bit interface (RTBI), and reduced media independent interface (RMII) signals except management data input/output (MDIO) and management data clock (MDC). The RGMII and RTBI interfaces are defined for 2.5 V, while the GMII and TBI interfaces can be operated at 3.3 or 2.5 V. Whether the GMII or TBI interface is operated at 3.3 or 2.5 V, the timing is compliant with the IEEE 802.3 standard. The RGMII and RTBI interfaces follow the Reduced Gigabit Media-Independent Interface (RGMII) Specification Version 1.3 (12/10/2000). The RMII interface follows the RMII Consortium RMII Specification Version 1.2 (3/20/1998). The electrical characteristics for MDIO and MDC are specified in [Section 9, “Ethernet Management Interface Electrical Characteristics.”](#)

#### 8.1.1 eTSEC DC Electrical Characteristics

All GMII, MII, TBI, RGMII, RMII and RTBI drivers and receivers comply with the DC parametric attributes specified in [Table 24](#) and [Table 25](#). The potential applied to the input of a GMII, MII, TBI, RGMII, RMII or RTBI receiver may exceed the potential of the receiver’s power supply (i.e., a GMII driver powered from a 3.6-V supply driving  $V_{OH}$  into a GMII receiver powered from a 2.5-V supply). Tolerance for dissimilar GMII driver and receiver supply potentials is implicit in these specifications. The

RGMI and RTBI signals are based on a 2.5-V CMOS interface voltage as defined by JEDEC EIA/JESD8-5.

**Table 24. GMII, MII, RMII, TBI and FIFO DC Electrical Characteristics**

Parameter	Symbol	Min	Max	Unit	Notes
Supply voltage 3.3 V	$V_{DD}$ $V_{TVDD}$	3.135	3.465	V	1, 2
Output high voltage ( $V_{DD}/V_{TVDD} = \text{Min}$ , $I_{OH} = -4.0 \text{ mA}$ )	$V_{OH}$	2.40	—	V	
Output low voltage ( $V_{DD}/V_{TVDD} = \text{Min}$ , $I_{OL} = 4.0 \text{ mA}$ )	$V_{OL}$	—	0.50	V	
Input high voltage	$V_{IH}$	2.0	—	V	
Input low voltage	$V_{IL}$	—	0.90	V	
Input high current ( $V_{IN} = V_{DD}$ , $V_{IN} = V_{TVDD}$ )	$I_{IH}$	—	40	$\mu\text{A}$	1, 2, 3
Input low current ( $V_{IN} = \text{GND}$ )	$I_{IL}$	-600	—	$\mu\text{A}$	3

**Notes:**

- <sup>1</sup>  $V_{DD}$  supports eTSECs 1 and 2.
- <sup>2</sup>  $V_{TVDD}$  supports eTSECs 3 and 4.
- <sup>3</sup> The symbol  $V_{IN}$ , in this case, represents the  $V_{IN}$  and  $V_{TVIN}$  symbols referenced in [Table 1](#) and [Table 2](#).

**Table 25. GMII, RGMI, RTBI, TBI and FIFO DC Electrical Characteristics**

Parameters	Symbol	Min	Max	Unit	Notes
Supply voltage 2.5 V	$V_{DD}/V_{TVDD}$	2.375	2.625	V	1, 2
Output high voltage ( $V_{DD}/V_{TVDD} = \text{Min}$ , $I_{OH} = -1.0 \text{ mA}$ )	$V_{OH}$	2.00	—	V	
Output low voltage ( $V_{DD}/V_{TVDD} = \text{Min}$ , $I_{OL} = 1.0 \text{ mA}$ )	$V_{OL}$	—	0.40	V	
Input high voltage	$V_{IH}$	1.70	—	V	
Input low voltage	$V_{IL}$	—	0.90	V	
Input high current ( $V_{IN} = V_{DD}$ , $V_{IN} = V_{TVDD}$ )	$I_{IH}$	—	10	$\mu\text{A}$	1, 2, 3
Input low current ( $V_{IN} = \text{GND}$ )	$I_{IL}$	-15	—	$\mu\text{A}$	3

**Note:**

- <sup>1</sup>  $V_{DD}$  supports eTSECs 1 and 2.
- <sup>2</sup>  $V_{TVDD}$  supports eTSECs 3 and 4.

<sup>3</sup> Note that the symbol  $V_{IN}$ , in this case, represents the  $LV_{IN}$  and  $TV_{IN}$  symbols referenced in [Table 1](#) and [Table 2](#).

## 8.2 FIFO, GMII, MII, TBI, RGMII, RMII, and RTBI AC Timing Specifications

The AC timing specifications for FIFO, GMII, MII, TBI, RGMII, RMII and RTBI are presented in this section.

### 8.2.1 FIFO AC Specifications

The basis for the AC specifications for the eTSEC's FIFO modes is the double data rate RGMII and RTBI specifications, since they have similar performance and are described in a source-synchronous fashion like FIFO modes. However, the FIFO interface provides deliberate skew between the transmitted data and source clock in GMII fashion.

When the eTSEC is configured for FIFO modes, all clocks are supplied from external sources to the relevant eTSEC interface. That is, the transmit clock must be applied to the eTSEC $n$ 's TSEC $n$ \_TX\_CLK, while the receive clock must be applied to pin TSEC $n$ \_RX\_CLK. The eTSEC internally uses the transmit clock to synchronously generate transmit data and outputs an echoed copy of the transmit clock back out onto the TSEC $n$ \_GTX\_CLK pin (while transmit data appears on TSEC $n$ \_TXD[7:0], for example). It is intended that external receivers capture eTSEC transmit data using the clock on TSEC $n$ \_GTX\_CLK as a source-synchronous timing reference. Typically, the clock edge that launched the data can be used, since the clock is delayed by the eTSEC to allow acceptable set-up margin at the receiver. Note that there is relationship between the maximum FIFO speed and the platform speed. For more information see [Section 18.4.2, "Platform to FIFO Restrictions"](#)

#### NOTE

The phase between the output clocks TSEC1\_GTX\_CLK and TSEC2\_GTX\_CLK (ports 1 and 2) is no more than 100 ps. The phase between the output clocks TSEC3\_GTX\_CLK and TSEC4\_GTX\_CLK (ports 3 and 4) is no more than 100 ps.

A summary of the FIFO AC specifications appears in [Table 26](#) and [Table 27](#).

**Table 26. FIFO Mode Transmit AC Timing Specification**

At recommended operating conditions with  $L/TV_{DD}$  of  $3.3\text{ V} \pm 5\%$  and  $2.5\text{ V} \pm 5\%$ .

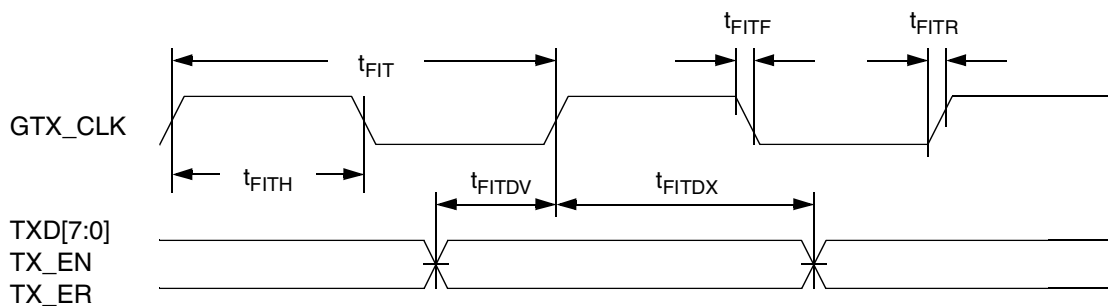
Parameter/Condition	Symbol	Min	Typ	Max	Unit
TX_CLK, GTX_CLK clock period (GMII mode)	$t_{FIT}$	7.0	8.0	100	ns
TX_CLK, GTX_CLK clock period (Encoded mode)	$t_{FIT}$	5.3	8.0	100	ns
TX_CLK, GTX_CLK duty cycle	$t_{FITH}/t_{FIT}$	45	50	55	%
TX_CLK, GTX_CLK peak-to-peak jitter	$t_{FITJ}$	—	—	250	ps
Rise time TX_CLK (20%–80%)	$t_{FITR}$	—	—	0.75	ns
Fall time TX_CLK (80%–20%)	$t_{FITF}$	—	—	0.75	ns

**Table 26. FIFO Mode Transmit AC Timing Specification (continued)**At recommended operating conditions with L/TV<sub>DD</sub> of 3.3 V ± 5% and 2.5 V ± 5%.

Parameter/Condition	Symbol	Min	Typ	Max	Unit
FIFO data TXD[7:0], TX_ER, TX_EN setup time to GTX_CLK	$t_{FITDV}$	2.0	—	—	ns
GTX_CLK to FIFO data TXD[7:0], TX_ER, TX_EN hold time	$t_{FITDX}$	0.5	—	3.0	ns

**Table 27. FIFO Mode Receive AC Timing Specification**At recommended operating conditions with L/TV<sub>DD</sub> of 3.3 V ± 5% and 2.5 V ± 5%.

Parameter/Condition	Symbol	Min	Typ	Max	Unit
RX_CLK clock period (GMII mode)	$t_{FIR}^1$	7.0	8.0	100	ns
RX_CLK clock period (Encoded mode)	$t_{FIR}^1$	5.3	8.0	100	ns
RX_CLK duty cycle	$t_{FIRH}/t_{FIR}$	45	50	55	%
RX_CLK peak-to-peak jitter	$t_{FIRJ}$	—	—	250	ps
Rise time RX_CLK (20%–80%)	$t_{FIRR}$	—	—	0.75	ns
Fall time RX_CLK (80%–20%)	$t_{FIRF}$	—	—	0.75	ns
RXD[7:0], RX_DV, RX_ER setup time to RX_CLK	$t_{FIRDV}$	1.5	—	—	ns
RXD[7:0], RX_DV, RX_ER hold time to RX_CLK	$t_{FIRDX}$	0.5	—	—	ns

<sup>1</sup> ±100 ppm tolerance on RX\_CLK frequencyTiming diagrams for FIFO appear in [Figure 8](#) and [Figure 9](#).**Figure 8. FIFO Transmit AC Timing Diagram**

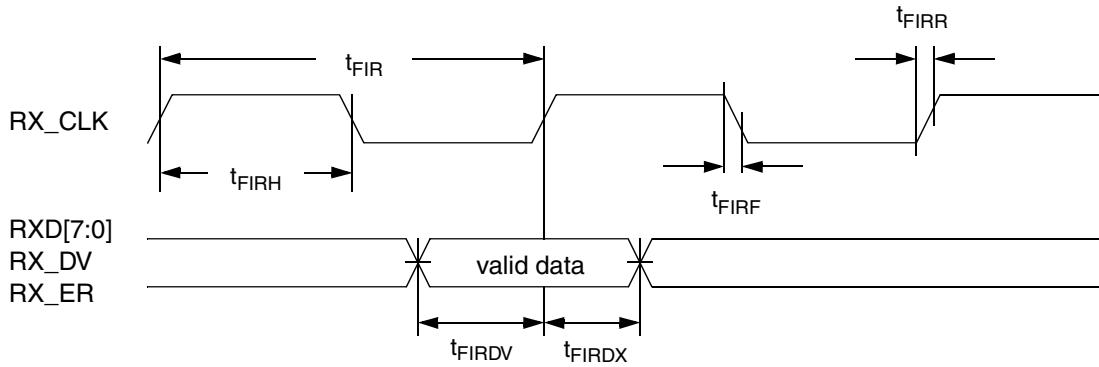


Figure 9. FIFO Receive AC Timing Diagram

## 8.2.2 GMII AC Timing Specifications

This section describes the GMII transmit and receive AC timing specifications.

### 8.2.2.1 GMII Transmit AC Timing Specifications

Table 28 provides the GMII transmit AC timing specifications.

Table 28. GMII Transmit AC Timing Specifications

At recommended operating conditions with L/TV<sub>DD</sub> of 3.3 V ± 5% and 2.5 V ± 5%.

Parameter/Condition	Symbol <sup>1</sup>	Min	Typ	Max	Unit
GMII data TXD[7:0], TX_ER, TX_EN setup time	t <sub>GTKHDV</sub>	2.5	—	—	ns
GTX_CLK to GMII data TXD[7:0], TX_ER, TX_EN delay	t <sub>GTKHDX</sub>	0.5	—	5.0	ns
GTX_CLK data clock rise time (20%-80%)	t <sub>GTXR</sub> <sup>2</sup>	—	—	1.0	ns
GTX_CLK data clock fall time (80%-20%)	t <sub>GTXF</sub> <sup>2</sup>	—	—	1.0	ns

**Notes:**

- The symbols used for timing specifications herein follow the pattern t<sub>(first two letters of functional block)(signal)(state) (reference)(state)</sub> for inputs and t<sub>(first two letters of functional block)(reference)(state)(signal)(state)</sub> for outputs. For example, t<sub>GTKHDV</sub> symbolizes GMII transmit timing (GT) with respect to the t<sub>GTX</sub> clock reference (K) going to the high state (H) relative to the time date input signals (D) reaching the valid state (V) to state or setup time. Also, t<sub>GTKHDX</sub> symbolizes GMII transmit timing (GT) with respect to the t<sub>GTX</sub> clock reference (K) going to the high state (H) relative to the time date input signals (D) going invalid (X) or hold time. Note that, in general, the clock reference symbol representation is based on three letters representing the clock of a particular functional. For example, the subscript of t<sub>GTX</sub> represents the GMII(G) transmit (TX) clock. For rise and fall times, the latter convention is used with the appropriate letter: R (rise) or F (fall).
- Guaranteed by design.



Figure 10 shows the GMII transmit AC timing diagram.

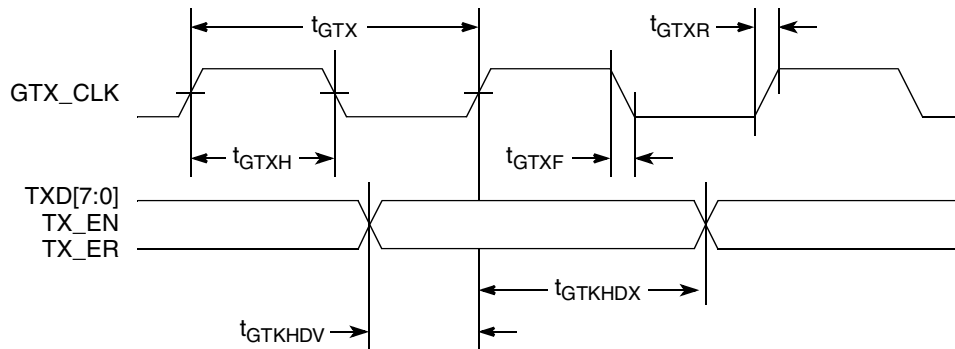


Figure 10. GMII Transmit AC Timing Diagram

### 8.2.2.2 GMII Receive AC Timing Specifications

Table 29 provides the GMII receive AC timing specifications.

Table 29. GMII Receive AC Timing Specifications

At recommended operating conditions with  $L/TV_{DD}$  of  $3.3\text{ V} \pm 5\%$  and  $2.5\text{ V} \pm 5\%$ .

Parameter/Condition	Symbol <sup>1</sup>	Min	Typ	Max	Unit
RX_CLK clock period	$t_{GRX}^3$	—	8.0	—	ns
RX_CLK duty cycle	$t_{GRXH}/t_{GRX}$	40	—	60	ns
RXD[7:0], RX_DV, RX_ER setup time to RX_CLK	$t_{GRDVKH}$	2.0	—	—	ns
RXD[7:0], RX_DV, RX_ER hold time to RX_CLK	$t_{GRDXKH}$	0.5	—	—	ns
RX_CLK clock rise time (20%-80%)	$t_{GRXR}^2$	—	—	1.0	ns
RX_CLK clock fall time (80%-20%)	$t_{GRXF}^2$	—	—	1.0	ns

**Note:**

- The symbols used for timing specifications herein follow the pattern of  $t_{(\text{first two letters of functional block})(\text{signal})(\text{state})(\text{reference})(\text{state})}$  for inputs and  $t_{(\text{first two letters of functional block})(\text{reference})(\text{state})(\text{signal})(\text{state})}$  for outputs. For example,  $t_{GRDVKH}$  symbolizes GMII receive timing (GR) with respect to the time data input signals (D) reaching the valid state (V) relative to the  $t_{RX}$  clock reference (K) going to the high state (H) or setup time. Also,  $t_{GRDXKL}$  symbolizes GMII receive timing (GR) with respect to the time data input signals (D) went invalid (X) relative to the  $t_{GRX}$  clock reference (K) going to the low (L) state or hold time. Note that, in general, the clock reference symbol representation is based on three letters representing the clock of a particular functional. For example, the subscript of  $t_{GRX}$  represents the GMII (G) receive (RX) clock. For rise and fall times, the latter convention is used with the appropriate letter: R (rise) or F (fall).
- Guaranteed by design.
- $\pm 100$  ppm tolerance on RX\_CLK frequency

Figure 11 provides the AC test load for eTSEC.

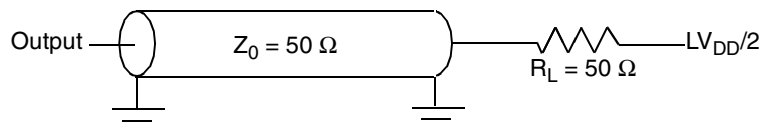


Figure 11. eTSEC AC Test Load

Figure 12 shows the GMII receive AC timing diagram.

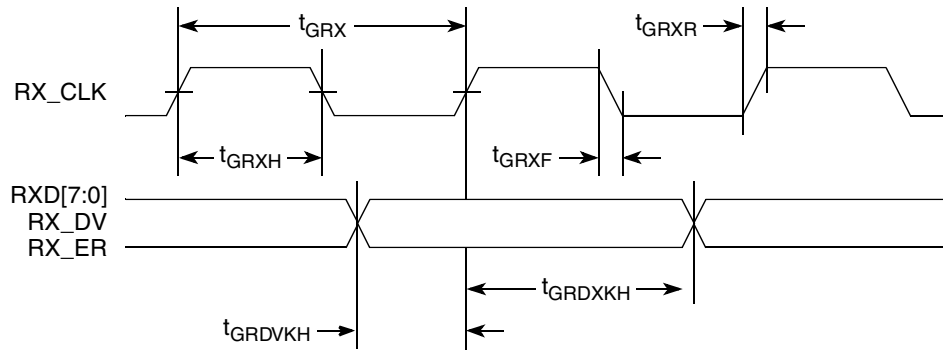


Figure 12. GMII Receive AC Timing Diagram

### 8.2.3 MII AC Timing Specifications

This section describes the MII transmit and receive AC timing specifications.

#### 8.2.3.1 MII Transmit AC Timing Specifications

Table 30 provides the MII transmit AC timing specifications.

Table 30. MII Transmit AC Timing Specifications

At recommended operating conditions with L/TV<sub>DD</sub> of 3.3 V ± 5%.

Parameter/Condition	Symbol <sup>1</sup>	Min	Typ	Max	Unit
TX_CLK clock period 10 Mbps	t <sub>MTX</sub> <sup>2</sup>	—	400	—	ns
TX_CLK clock period 100 Mbps	t <sub>MTX</sub>	—	40	—	ns
TX_CLK duty cycle	t <sub>MTXH</sub> /t <sub>MTXF</sub>	35	—	65	%
TX_CLK to MII data TXD[3:0], TX_ER, TX_EN delay	t <sub>MTKHDX</sub>	1	5	15	ns
TX_CLK data clock rise time (20%-80%)	t <sub>MTXR</sub> <sup>2</sup>	1.0	—	4.0	ns
TX_CLK data clock fall time (80%-20%)	t <sub>MTXF</sub> <sup>2</sup>	1.0	—	4.0	ns

**Note:**

1. The symbols used for timing specifications herein follow the pattern of t<sub>(first two letters of functional block)(signal)(state) (reference)(state)</sub> for inputs and t<sub>(first two letters of functional block)(reference)(state)(signal)(state)</sub> for outputs. For example, t<sub>MTKHDX</sub> symbolizes MII transmit timing (MT) for the time t<sub>MTX</sub> clock reference (K) going high (H) until data outputs (D) are invalid (X). Note that, in general, the clock reference symbol representation is based on two to three letters representing the clock of a particular functional. For example, the subscript of t<sub>MTX</sub> represents the MII(M) transmit (TX) clock. For rise and fall times, the latter convention is used with the appropriate letter: R (rise) or F (fall).

2. Guaranteed by design.

Figure 13 shows the MII transmit AC timing diagram.

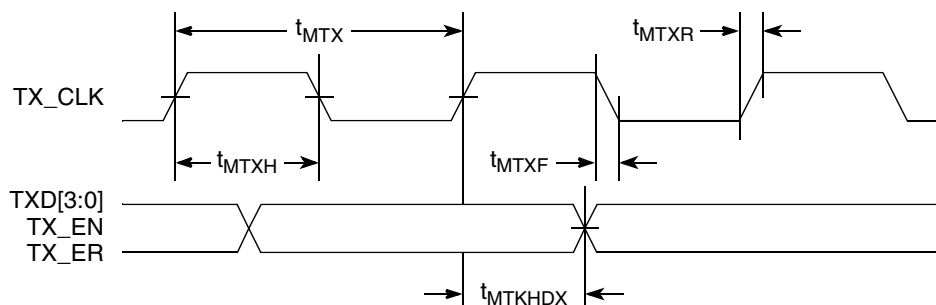


Figure 13. MII Transmit AC Timing Diagram

### 8.2.3.2 MII Receive AC Timing Specifications

Table 31 provides the MII receive AC timing specifications.

**Table 31. MII Receive AC Timing Specifications**

At recommended operating conditions with  $L/TV_{DD}$  of  $3.3\text{ V} \pm 5\%$ .

Parameter/Condition	Symbol <sup>1</sup>	Min	Typ	Max	Unit
RX_CLK clock period 10 Mbps	$t_{MRX}^{2,3}$	—	400	—	ns
RX_CLK clock period 100 Mbps	$t_{MRX}^3$	—	40	—	ns
RX_CLK duty cycle	$t_{MRXH}/t_{MRX}$	35	—	65	%
RXD[3:0], RX_DV, RX_ER setup time to RX_CLK	$t_{MRDVKH}$	10.0	—	—	ns
RXD[3:0], RX_DV, RX_ER hold time to RX_CLK	$t_{MRDXKH}$	10.0	—	—	ns
RX_CLK clock rise time (20%-80%)	$t_{MRXR}^2$	1.0	—	4.0	ns
RX_CLK clock fall time (80%-20%)	$t_{MRXF}^2$	1.0	—	4.0	ns

**Note:**

- The symbols used for timing specifications herein follow the pattern of  $t_{(\text{first two letters of functional block})(\text{signal})(\text{state})(\text{reference})(\text{state})}$  for inputs and  $t_{(\text{first two letters of functional block})(\text{reference})(\text{state})(\text{signal})(\text{state})}$  for outputs. For example,  $t_{MRDVKH}$  symbolizes MII receive timing (MR) with respect to the time data input signals (D) reach the valid state (V) relative to the  $t_{MRX}$  clock reference (K) going to the high (H) state or setup time. Also,  $t_{MRDXKL}$  symbolizes MII receive timing (GR) with respect to the time data input signals (D) went invalid (X) relative to the  $t_{MRX}$  clock reference (K) going to the low (L) state or hold time. Note that, in general, the clock reference symbol representation is based on three letters representing the clock of a particular functional. For example, the subscript of  $t_{MRX}$  represents the MII (M) receive (RX) clock. For rise and fall times, the latter convention is used with the appropriate letter: R (rise) or F (fall).
- Guaranteed by design.
- $\pm 100$  ppm tolerance on RX\_CLK frequency

Figure 14 provides the AC test load for eTSEC.

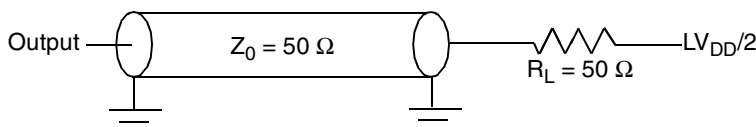


Figure 14. eTSEC AC Test Load



Figure 16 shows the TBI transmit AC timing diagram.

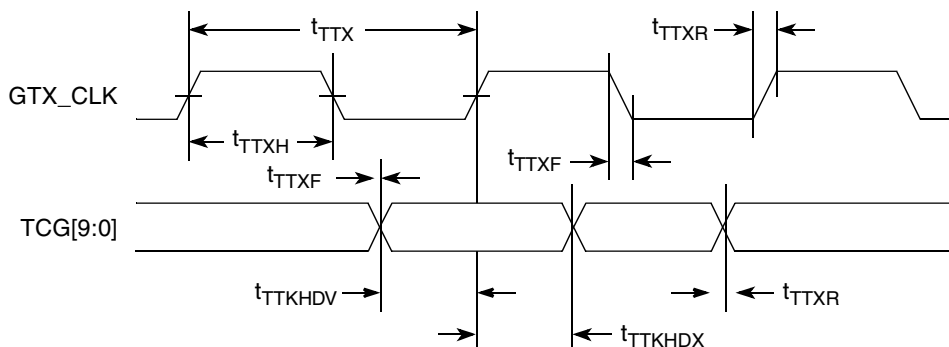


Figure 16. TBI Transmit AC Timing Diagram

### 8.2.4.2 TBI Receive AC Timing Specifications

Table 33 provides the TBI receive AC timing specifications.

Table 33. TBI Receive AC Timing Specifications

At recommended operating conditions with  $L/TV_{DD}$  of  $3.3\text{ V} \pm 5\%$  and  $2.5\text{ V} \pm 5\%$ .

Parameter/Condition	Symbol <sup>1</sup>	Min	Typ	Max	Unit
PMA_RX_CLK[0:1] clock period	$t_{TRX}^3$		16.0		ns
PMA_RX_CLK[0:1] skew	$t_{SKTRX}$	7.5	—	8.5	ns
PMA_RX_CLK[0:1] duty cycle	$t_{TRXH}/t_{TRX}$	40	—	60	%
RCG[9:0] setup time to rising PMA_RX_CLK	$t_{TRDVKH}$	2.5	—	—	ns
RCG[9:0] hold time to rising PMA_RX_CLK	$t_{TRDXKH}$	1.5	—	—	ns
PMA_RX_CLK[0:1] clock rise time (20%-80%)	$t_{TRXR}^2$	0.7	—	2.4	ns
PMA_RX_CLK[0:1] clock fall time (80%-20%)	$t_{TRXF}^2$	0.7	—	2.4	ns

**Note:**

- The symbols used for timing specifications herein follow the pattern of  $t_{(\text{first two letters of functional block})(\text{signal})(\text{state}) (\text{reference})(\text{state})}$  for inputs and  $t_{(\text{first two letters of functional block})(\text{reference})(\text{state})(\text{signal})(\text{state})}$  for outputs. For example,  $t_{TRDVKH}$  symbolizes TBI receive timing (TR) with respect to the time data input signals (D) reach the valid state (V) relative to the  $t_{TRX}$  clock reference (K) going to the high (H) state or setup time. Also,  $t_{TRDXKH}$  symbolizes TBI receive timing (TR) with respect to the time data input signals (D) went invalid (X) relative to the  $t_{TRX}$  clock reference (K) going to the high (H) state. Note that, in general, the clock reference symbol representation is based on three letters representing the clock of a particular functional. For example, the subscript of  $t_{TRX}$  represents the TBI (T) receive (RX) clock. For rise and fall times, the latter convention is used with the appropriate letter: R (rise) or F (fall). For symbols representing skews, the subscript is skew (SK) followed by the clock that is being skewed (TRX).
- Guaranteed by design.
- $\pm 100$  ppm tolerance on PMA\_RX\_CLK[0:1] frequency

Figure 17 shows the TBI receive AC timing diagram.

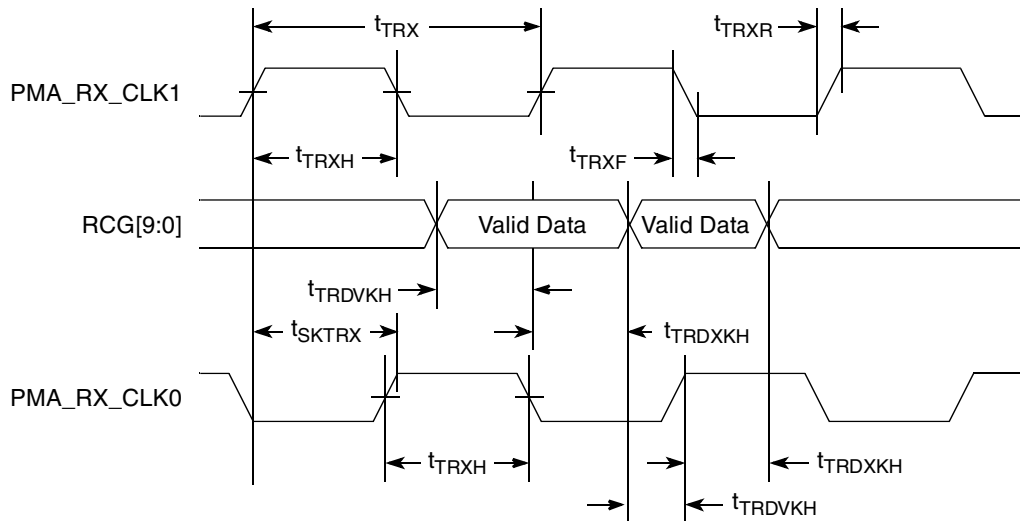


Figure 17. TBI Receive AC Timing Diagram

### 8.2.5 TBI Single-Clock Mode AC Specifications

When the eTSEC is configured for TBI modes, all clocks are supplied from external sources to the relevant eTSEC interface. In single-clock TBI mode, when TBICON[CLKSEL] = 1 a 125-MHz TBI receive clock is supplied on TSECn\_RX\_CLK pin (no receive clock is used on TSECn\_TX\_CLK in this mode, whereas for the dual-clock mode this is the PMA1 receive clock). The 125-MHz transmit clock is applied on the TSEC\_GTX\_CLK125 pin in all TBI modes.

A summary of the single-clock TBI mode AC specifications for receive appears in Table 34.

Table 34. TBI single-clock Mode Receive AC Timing Specification

At recommended operating conditions with L/TV<sub>DD</sub> of 3.3 V ± 5% and 2.5 V ± 5%.

Parameter/Condition	Symbol	Min	Typ	Max	Unit
RX_CLK clock period	t <sub>TRR</sub> <sup>1</sup>	7.5	8.0	8.5	ns
RX_CLK duty cycle	t <sub>TRRH</sub> /t <sub>TRR</sub>	40	50	60	%
RX_CLK peak-to-peak jitter	t <sub>TRRJ</sub>	—	—	250	ps
Rise time RX_CLK (20%–80%)	t <sub>TRRR</sub>	—	—	1.0	ns
Fall time RX_CLK (80%–20%)	t <sub>TRRF</sub>	—	—	1.0	ns
RCG[9:0] setup time to RX_CLK rising edge	t <sub>TRRDVKH</sub>	2.0	—	—	ns
RCG[9:0] hold time to RX_CLK rising edge	t <sub>TRRDVKH</sub>	1.0	—	—	ns

<sup>1</sup> ±100 ppm tolerance on RX\_CLK frequency

A timing diagram for TBI receive appears in Figure 18.

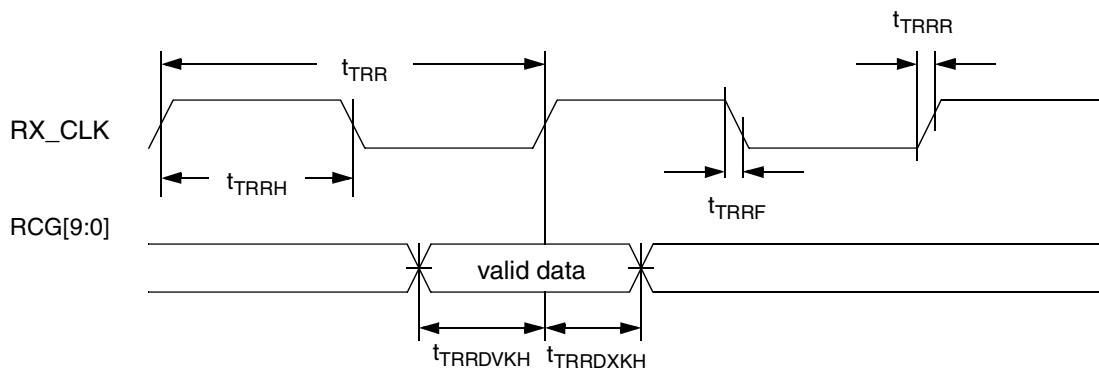


Figure 18. TBI Single-Clock Mode Receive AC Timing Diagram

## 8.2.6 RGMII and RTBI AC Timing Specifications

Table 35 presents the RGMII and RTBI AC timing specifications.

Table 35. RGMII and RTBI AC Timing Specifications

At recommended operating conditions with  $L/TV_{DD}$  of  $2.5\text{ V} \pm 5\%$ .

Parameter/Condition	Symbol <sup>1</sup>	Min	Typ	Max	Unit
Data to clock output skew (at transmitter)	$t_{SKRGT}^5$	-500	0	500	ps
Data to clock input skew (at receiver) <sup>2</sup>	$t_{SKRGT}$	1.0	—	2.8	ns
Clock period duration <sup>3</sup>	$t_{RGT}^{5,6}$	7.2	8.0	8.8	ns
Duty cycle for 10BASE-T and 100BASE-TX <sup>3,4</sup>	$t_{RGTH}/t_{RGT}^5$	40	50	60	%
Rise time (20%–80%)	$t_{RGTR}^5$	—	—	0.75	ns
Fall time (80%–20%)	$t_{RGTF}^5$	—	—	0.75	ns

### Notes:

- Note that, in general, the clock reference symbol representation for this section is based on the symbols RGT to represent RGMII and RTBI timing. For example, the subscript of  $t_{RGT}$  represents the TBI (T) receive (RX) clock. Note also that the notation for rise (R) and fall (F) times follows the clock symbol that is being represented. For symbols representing skews, the subscript is skew (SK) followed by the clock that is being skewed (RGT).
- This implies that PC board design will require clocks to be routed such that an additional trace delay of greater than 1.5 ns will be added to the associated clock signal.
- For 10 and 100 Mbps,  $t_{RGT}$  scales to 400 ns  $\pm$  40 ns and 40 ns  $\pm$  4 ns, respectively.
- Duty cycle may be stretched/shrunk during speed changes or while transitioning to a received packet's clock domains as long as the minimum duty cycle is not violated and stretching occurs for no more than three  $t_{RGT}$  of the lowest speed transitioned between.
- Guaranteed by characterization
- $\pm 100$  ppm tolerance on RX\_CLK frequency

Figure 19 shows the RGMII and RTBI AC timing and multiplexing diagrams.

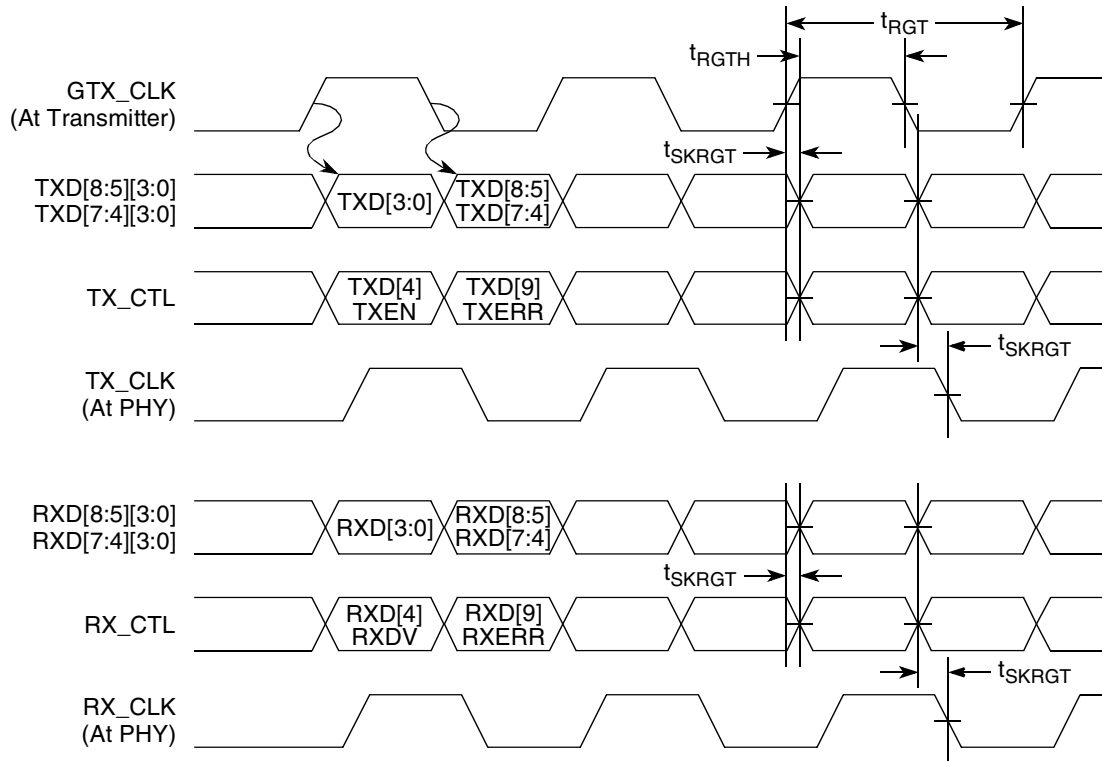


Figure 19. RGMII and RTBI AC Timing and Multiplexing Diagrams

## 8.2.7 RMII AC Timing Specifications

This section describes the RMII transmit and receive AC timing specifications.

### 8.2.7.1 RMII Transmit AC Timing Specifications

The RMII transmit AC timing specifications are in Table 36.

Table 36. RMII Transmit AC Timing Specifications

At recommended operating conditions with  $L/TV_{DD}$  of  $3.3\text{ V} \pm 5\%$ .

Parameter/Condition	Symbol <sup>1</sup>	Min	Typ	Max	Unit
REF_CLK clock period	$t_{RMT}$		20.0		ns
REF_CLK duty cycle	$t_{RMTH}/t_{RMT}$	35	50	65	%
REF_CLK peak-to-peak jitter	$t_{RMTJ}$	—	—	250	ps
Rise time REF_CLK (20%–80%)	$t_{RMTR}$	1.0	—	2.0	ns
Fall time REF_CLK (80%–20%)	$t_{RMTF}$	1.0	—	2.0	ns



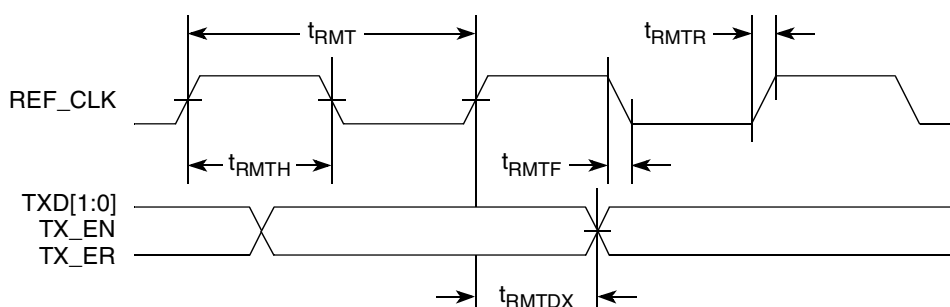
**Table 36. RMII Transmit AC Timing Specifications (continued)**At recommended operating conditions with  $L/TV_{DD}$  of  $3.3\text{ V} \pm 5\%$ .

Parameter/Condition	Symbol <sup>1</sup>	Min	Typ	Max	Unit
REF_CLK to RMII data TXD[1:0], TX_EN delay	$t_{\text{RMTDX}}$	1.0	—	10.0	ns

**Note:**

1. The symbols used for timing specifications herein follow the pattern of  $t_{(\text{first two letters of functional block})(\text{signal})(\text{state})}$  (reference)(state) for inputs and  $t_{(\text{first two letters of functional block})(\text{reference})(\text{state})(\text{signal})(\text{state})}$  for outputs. For example,  $t_{\text{MTKHDX}}$  symbolizes MII transmit timing (MT) for the time  $t_{\text{MTX}}$  clock reference (K) going high (H) until data outputs (D) are invalid (X). Note that, in general, the clock reference symbol representation is based on two to three letters representing the clock of a particular functional. For example, the subscript of  $t_{\text{MTX}}$  represents the MII(M) transmit (TX) clock. For rise and fall times, the latter convention is used with the appropriate letter: R (rise) or F (fall).

Figure 20 shows the RMII transmit AC timing diagram.

**Figure 20. RMII Transmit AC Timing Diagram****8.2.7.2 RMII Receive AC Timing Specifications****Table 37. RMII Receive AC Timing Specifications**At recommended operating conditions with  $L/TV_{DD}$  of  $3.3\text{ V} \pm 5\%$ .

Parameter/Condition	Symbol <sup>1</sup>	Min	Typ	Max	Unit
REF_CLK clock period	$t_{\text{RMR}}$	15.0	20.0	25.0	ns
REF_CLK duty cycle	$t_{\text{RMRH}}/t_{\text{RMR}}$	35	50	65	%
REF_CLK peak-to-peak jitter	$t_{\text{RMRJ}}$	—	—	250	ps
Rise time REF_CLK (20%–80%)	$t_{\text{RMRR}}$	1.0	—	2.0	ns
Fall time REF_CLK (80%–20%)	$t_{\text{RMRF}}$	1.0	—	2.0	ns
RXD[1:0], CRS_DV, RX_ER setup time to REF_CLK rising edge	$t_{\text{RMRDV}}$	4.0	—	—	ns

**Table 37. RMII Receive AC Timing Specifications (continued)**

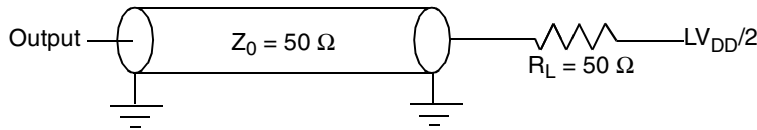
At recommended operating conditions with L/TV<sub>DD</sub> of 3.3 V ± 5%.

Parameter/Condition	Symbol <sup>1</sup>	Min	Typ	Max	Unit
RXD[1:0], CRS_DV, RX_ER hold time to REF_CLK rising edge	t <sub>RMRDX</sub>	2.0	—	—	ns

**Note:**

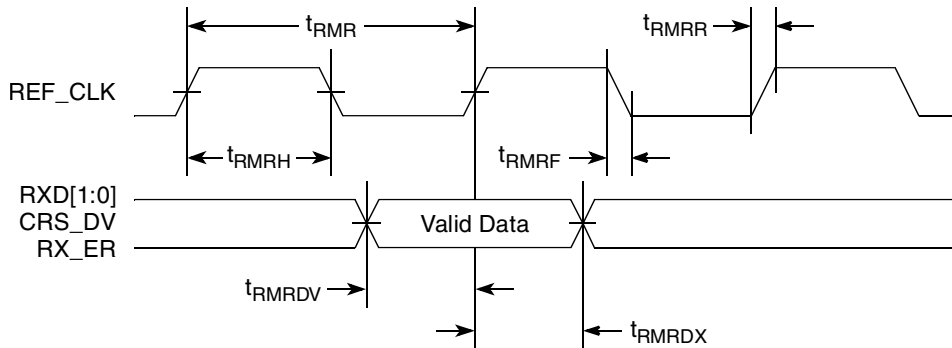
1. The symbols used for timing specifications herein follow the pattern of t<sub>(first two letters of functional block)(signal)(state)</sub> (reference)(state) for inputs and t<sub>(first two letters of functional block)(reference)(state)(signal)(state)</sub> for outputs. For example, t<sub>MRDVKH</sub> symbolizes MII receive timing (MR) with respect to the time data input signals (D) reach the valid state (V) relative to the t<sub>MRX</sub> clock reference (K) going to the high (H) state or setup time. Also, t<sub>MRDXKL</sub> symbolizes MII receive timing (GR) with respect to the time data input signals (D) went invalid (X) relative to the t<sub>MRX</sub> clock reference (K) going to the low (L) state or hold time. Note that, in general, the clock reference symbol representation is based on three letters representing the clock of a particular functional. For example, the subscript of t<sub>MRX</sub> represents the MII (M) receive (RX) clock. For rise and fall times, the latter convention is used with the appropriate letter: R (rise) or F (fall).

Figure 21 provides the AC test load for eTSEC.



**Figure 21. eTSEC AC Test Load**

Figure 22 shows the RMII receive AC timing diagram.



**Figure 22. RMII Receive AC Timing Diagram**

## 9 Ethernet Management Interface Electrical Characteristics

The electrical characteristics specified here apply to MII management interface signals MDIO (management data input/output) and MDC (management data clock). The electrical characteristics for GMII, RGMII, RMII, TBI and RTBI are specified in “[Section 8, “Ethernet: Enhanced Three-Speed Ethernet \(eTSEC\), MII Management.”](#)”

## 9.1 MII Management DC Electrical Characteristics

The MDC and MDIO are defined to operate at a supply voltage of 3.3 V. The DC electrical characteristics for MDIO and MDC are provided in [Table 38](#).

**Table 38. MII Management DC Electrical Characteristics**

Parameter	Symbol	Min	Max	Unit
Supply voltage (3.3 V)	$OV_{DD}$	3.135	3.465	V
Output high voltage ( $OV_{DD} = \text{Min}$ , $I_{OH} = -1.0 \text{ mA}$ )	$V_{OH}$	2.10	—	V
Output low voltage ( $OV_{DD} = \text{Min}$ , $I_{OL} = 1.0 \text{ mA}$ )	$V_{OL}$	—	0.50	V
Input high voltage	$V_{IH}$	1.70	—	V
Input low voltage	$V_{IL}$	—	0.90	V
Input high current ( $OV_{DD} = \text{Max}$ , $V_{IN}^1 = 2.1 \text{ V}$ )	$I_{IH}$	—	40	$\mu\text{A}$
Input low current ( $OV_{DD} = \text{Max}$ , $V_{IN} = 0.5 \text{ V}$ )	$I_{IL}$	-600	—	$\mu\text{A}$

**Note:**

1. Note that the symbol  $V_{IN}$ , in this case, represents the  $OV_{IN}$  symbol referenced in [Table 1](#) and [Table 2](#).

## 9.2 MII Management AC Electrical Specifications

[Table 39](#) provides the MII management AC timing specifications.

**Table 39. MII Management AC Timing Specifications**

At recommended operating conditions with  $OV_{DD}$  is 3.3 V  $\pm$  5%.

Parameter/Condition	Symbol <sup>1</sup>	Min	Typ	Max	Unit	Notes
MDC frequency	$f_{MDC}$	2.5	—	9.3	MHz	2, 4
MDC period	$t_{MDC}$	80	—	400	ns	
MDC clock pulse width high	$t_{MDCH}$	32	—	—	ns	
MDC to MDIO valid	$t_{MDKHdV}$	$16 \cdot t_{MPXCLK}$	—	—	ns	5
MDC to MDIO delay	$t_{MDKHdX}$	10	—	$16 \cdot t_{MPXCLK}$	ns	3, 5
MDIO to MDC setup time	$t_{MDDvKH}$	5	—	—	ns	
MDIO to MDC hold time	$t_{MDDxKH}$	0	—	—	ns	
MDC rise time	$t_{MDCr}$	—	—	10	ns	4

**Table 39. MII Management AC Timing Specifications (continued)**

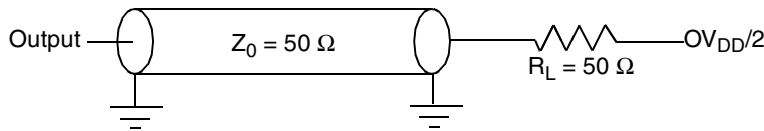
At recommended operating conditions with  $OV_{DD}$  is  $3.3\text{ V} \pm 5\%$ .

Parameter/Condition	Symbol <sup>1</sup>	Min	Typ	Max	Unit	Notes
MDC fall time	$t_{MDHF}$	—	—	10	ns	4

**Notes:**

1. The symbols used for timing specifications herein follow the pattern of  $t_{(\text{first two letters of functional block})(\text{signal})(\text{state})(\text{reference})(\text{state})}$  for inputs and  $t_{(\text{first two letters of functional block})(\text{reference})(\text{state})(\text{signal})(\text{state})}$  for outputs. For example,  $t_{MDKHDX}$  symbolizes management data timing (MD) for the time  $t_{MDC}$  from clock reference (K) high (H) until data outputs (D) are invalid (X) or data hold time. Also,  $t_{MDDVKH}$  symbolizes management data timing (MD) with respect to the time data input signals (D) reach the valid state (V) relative to the  $t_{MDC}$  clock reference (K) going to the high (H) state or setup time. For rise and fall times, the latter convention is used with the appropriate letter: R (rise) or F (fall).
2. This parameter is dependent on the system clock speed. (The maximum frequency is the maximum platform frequency divided by 64.)
3. This parameter is dependent on the system clock speed. (That is, for a system clock of 267 MHz, the maximum frequency is 8.3 MHz and the minimum frequency is 1.2 MHz; for a system clock of 375 MHz, the maximum frequency is 11.7 MHz and the minimum frequency is 1.7 MHz.)
4. Guaranteed by design.
5.  $t_{MPXCLK}$  is the platform (MPX) clock

Figure 23 provides the AC test load for eTSEC.

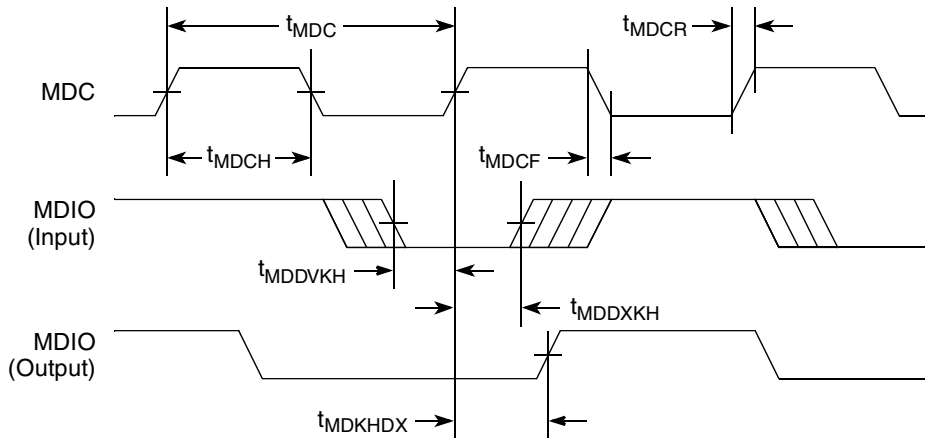


**Figure 23. eTSEC AC Test Load**

**NOTE**

Output will see a  $50\Omega$  load since what it sees is the transmission line.

Figure 24 shows the MII management AC timing diagram.



**Figure 24. MII Management Interface Timing Diagram**

## 10 Local Bus

This section describes the DC and AC electrical specifications for the local bus interface of the MPC8641.

### 10.1 Local Bus DC Electrical Characteristics

Table 40 provides the DC electrical characteristics for the local bus interface operating at  $OV_{DD} = 3.3$  V DC.

**Table 40. Local Bus DC Electrical Characteristics (3.3 V DC)**

Parameter	Symbol	Min	Max	Unit
High-level input voltage	$V_{IH}$	2	$OV_{DD} + 0.3$	V
Low-level input voltage	$V_{IL}$	-0.3	0.8	V
Input current ( $V_{IN}^1 = 0$ V or $V_{IN} = OV_{DD}$ )	$I_{IN}$	—	$\pm 5$	$\mu$ A
High-level output voltage ( $OV_{DD} = \text{min}$ , $I_{OH} = -2$ mA)	$V_{OH}$	$OV_{DD} - 0.2$	—	V
Low-level output voltage ( $OV_{DD} = \text{min}$ , $I_{OL} = 2$ mA)	$V_{OL}$	—	0.2	V

**Note:**

- Note that the symbol  $V_{IN}$ , in this case, represents the  $OV_{IN}$  symbol referenced in Table 1 and Table 2.

### 10.2 Local Bus AC Electrical Specifications

Table 41 describes the timing parameters of the local bus interface at  $OV_{DD} = 3.3$  V with PLL enabled. For information about the frequency range of local bus see Section 18.1, “Clock Ranges.”

**Table 41. Local Bus Timing Parameters ( $OV_{DD} = 3.3$  V)m - PLL Enabled**

Parameter	Symbol <sup>1</sup>	Min	Max	Unit	Notes
Local bus cycle time	$t_{LBK}$	7.5	—	ns	2
Local Bus Duty Cycle	$t_{LBKH}/t_{LBK}$	45	55	%	
LCLK[n] skew to LCLK[m] or LSYNC_OUT	$t_{LBKSKEW}$	—	150	ps	7, 8
Input setup to local bus clock (except $\overline{LGTA}/LUPWAIT$ )	$t_{LBIVKH1}$	1.8	—	ns	3, 4
$\overline{LGTA}/LUPWAIT$ input setup to local bus clock	$t_{LBIVKH2}$	1.7	—	ns	3, 4
Input hold from local bus clock (except $\overline{LGTA}/LUPWAIT$ )	$t_{LBIXKH1}$	1.0	—	ns	3, 4
$\overline{LGTA}/LUPWAIT$ input hold from local bus clock	$t_{LBIXKH2}$	1.0	—	ns	3, 4
LALE output transition to LAD/LDP output transition (LATCH hold time)	$t_{LBOTOT}$	1.5	—	ns	6

**Table 41. Local Bus Timing Parameters ( $OV_{DD} = 3.3\text{ V}$ )m - PLL Enabled (continued)**

Parameter	Symbol <sup>1</sup>	Min	Max	Unit	Notes
Local bus clock to output valid (except LAD/LDP and LALE)	$t_{LBKHOV1}$	—	2.0	ns	
Local bus clock to data valid for LAD/LDP	$t_{LBKHOV2}$	—	2.2	ns	
Local bus clock to address valid for LAD	$t_{LBKHOV3}$	—	2.3	ns	
Local bus clock to LALE assertion	$t_{LBKHOV4}$	—	2.3	ns	3
Output hold from local bus clock (except LAD/LDP and LALE)	$t_{LBKHOX1}$	0.7	—	ns	
Output hold from local bus clock for LAD/LDP	$t_{LBKHOX2}$	0.7	—	ns	3
Local bus clock to output high impedance (except LAD/LDP and LALE)	$t_{LBKHOZ1}$	—	2.5	ns	5
Local bus clock to output high impedance for LAD/LDP	$t_{LBKHOZ2}$	—	2.5	ns	5

**Note:**

1. The symbols used for timing specifications herein follow the pattern of  $t_{(\text{First two letters of functional block})(\text{signal})(\text{state}) (\text{reference})(\text{state})}$  for inputs and  $t_{(\text{First two letters of functional block})(\text{reference})(\text{state})(\text{signal})(\text{state})}$  for outputs. For example,  $t_{LBIXKH1}$  symbolizes local bus timing (LB) for the input (I) to go invalid (X) with respect to the time the  $t_{LBK}$  clock reference (K) goes high (H), in this case for clock one(1). Also,  $t_{LBKHOX}$  symbolizes local bus timing (LB) for the  $t_{LBK}$  clock reference (K) to go high (H), with respect to the output (O) going invalid (X) or output hold time.
2. All timings are in reference to LSYNC\_IN for PLL enabled and internal local bus clock for PLL bypass mode.
3. All signals are measured from  $OV_{DD}/2$  of the rising edge of LSYNC\_IN for PLL enabled or internal local bus clock for PLL bypass mode to  $0.4 \times OV_{DD}$  of the signal in question for 3.3-V signaling levels.
4. Input timings are measured at the pin.
5. For purposes of active/float timing measurements, the Hi-Z or off state is defined to be when the total current delivered through the component pin is less than or equal to the leakage current specification.
6.  $t_{LBOTOT}$  is a measurement of the minimum time between the negation of LALE and any change in LAD.  $t_{LBOTOT}$  is programmed with the LBCR[AHD] parameter.
7. Maximum possible clock skew between a clock LCLK[m] and a relative clock LCLK[n]. Skew measured between complementary signals at  $BV_{DD}/2$ .
8. Guaranteed by design.

Figure 25 provides the AC test load for the local bus.

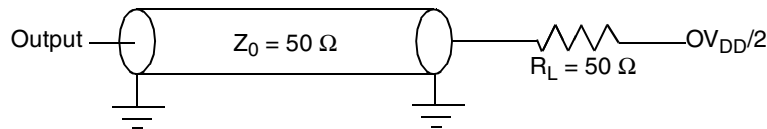


Figure 25. Local Bus AC Test Load

Figure 26 to Figure 31 show the local bus signals.

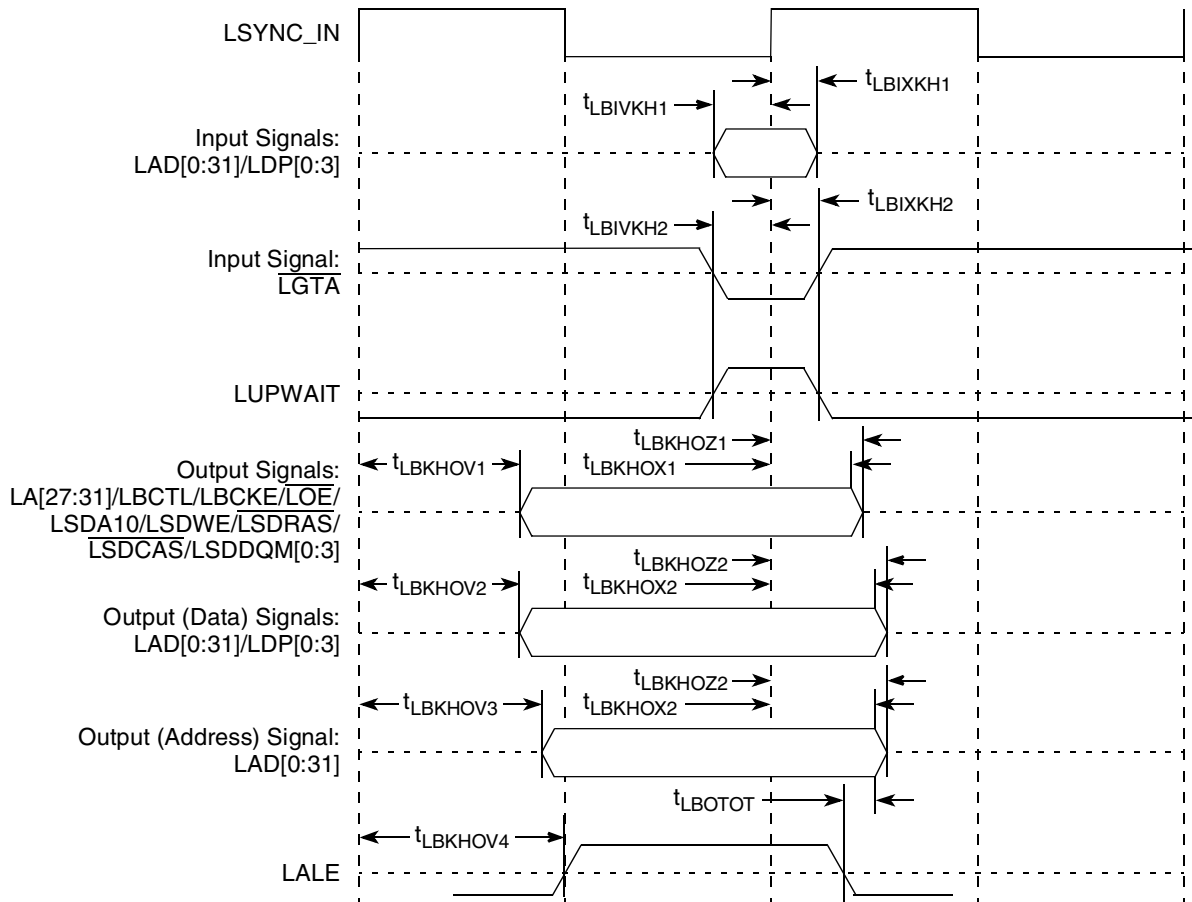


Figure 26. Local Bus Signals (PLL Enabled)

**NOTE**

PLL bypass mode is recommended when LBIU frequency is at or below 83 MHz. When LBIU operates above 83 MHz, LBIU PLL is recommended to be enabled.

Table 42 describes the general timing parameters of the local bus interface at  $OV_{DD} = 3.3$  V with PLL bypassed.

Table 42. Local Bus Timing Parameters—PLL Bypassed

Parameter	Symbol <sup>1</sup>	Min	Max	Unit	Notes
Local bus cycle time	$t_{LBK}$	12	—	ns	2
Local bus duty cycle	$t_{LBKH}/t_{LBK}$	45	55	%	
Internal launch/capture clock to LCLK delay	$t_{LBKHKT}$	2.3	3.9	ns	8
Input setup to local bus clock (except $\overline{LGTA}/LUPWAIT$ )	$t_{LBIVKH1}$	5.7	—	ns	4, 5
$\overline{LGTA}/LUPWAIT$ input setup to local bus clock	$t_{LBIVKL2}$	5.6	—	ns	4, 5
Input hold from local bus clock (except $\overline{LGTA}/LUPWAIT$ )	$t_{LBIXKH1}$	-1.8	—	ns	4, 5
$\overline{LGTA}/LUPWAIT$ input hold from local bus clock	$t_{LBIXKL2}$	-1.3	—	ns	4, 5
LALE output transition to LAD/LDP output transition (LATCH hold time)	$t_{LBOTOT}$	1.5	—	ns	6
Local bus clock to output valid (except LAD/LDP and LALE)	$t_{LBKLOV1}$	—	-0.3	ns	
Local bus clock to data valid for LAD/LDP	$t_{LBKLOV2}$	—	-0.1	ns	4
Local bus clock to address valid for LAD	$t_{LBKLOV3}$	—	0	ns	4
Local bus clock to LALE assertion	$t_{LBKLOV4}$	—	0	ns	4
Output hold from local bus clock (except LAD/LDP and LALE)	$t_{LBKLOX1}$	-3.2	—	ns	4
Output hold from local bus clock for LAD/LDP	$t_{LBKLOX2}$	-3.2	—	ns	4
Local bus clock to output high Impedance (except LAD/LDP and LALE)	$t_{LBKLOZ1}$	—	0.2	ns	7



Table 42. Local Bus Timing Parameters—PLL Bypassed (continued)

Parameter	Symbol <sup>1</sup>	Min	Max	Unit	Notes
Local bus clock to output high impedance for LAD/LDP	$t_{LBKLOZ2}$	—	0.2	ns	7

## Notes:

- The symbols used for timing specifications herein follow the pattern of  $t_{(\text{First two letters of functional block})(\text{signal})(\text{state})(\text{reference})(\text{state})}$  for inputs and  $t_{(\text{First two letters of functional block})(\text{reference})(\text{state})(\text{signal})(\text{state})}$  for outputs. For example,  $t_{LBIXKH1}$  symbolizes local bus timing (LB) for the input (I) to go invalid (X) with respect to the time the  $t_{LBK}$  clock reference (K) goes high (H), in this case for clock one(1). Also,  $t_{LBKHGX}$  symbolizes local bus timing (LB) for the  $t_{LBK}$  clock reference (K) to go high (H), with respect to the output (O) going invalid (X) or output hold time.
- All timings are in reference to local bus clock for PLL bypass mode. Timings may be negative with respect to the local bus clock because the actual launch and capture of signals is done with the internal launch/capture clock, which precedes LCLK by  $t_{LBKHK1}$ .
- Maximum possible clock skew between a clock LCLK[m] and a relative clock LCLK[n]. Skew measured between complementary signals at  $BV_{DD}/2$ .
- All signals are measured from  $BV_{DD}/2$  of the rising edge of local bus clock for PLL bypass mode to  $0.4 \times BV_{DD}$  of the signal in question for 3.3-V signaling levels.
- Input timings are measured at the pin.
- The value of  $t_{LBOTOT}$  is the measurement of the minimum time between the negation of LALE and any change in LAD.
- For purposes of active/float timing measurements, the Hi-Z or off state is defined to be when the total current delivered through the component pin is less than or equal to the leakage current specification.
- Guaranteed by characterization.

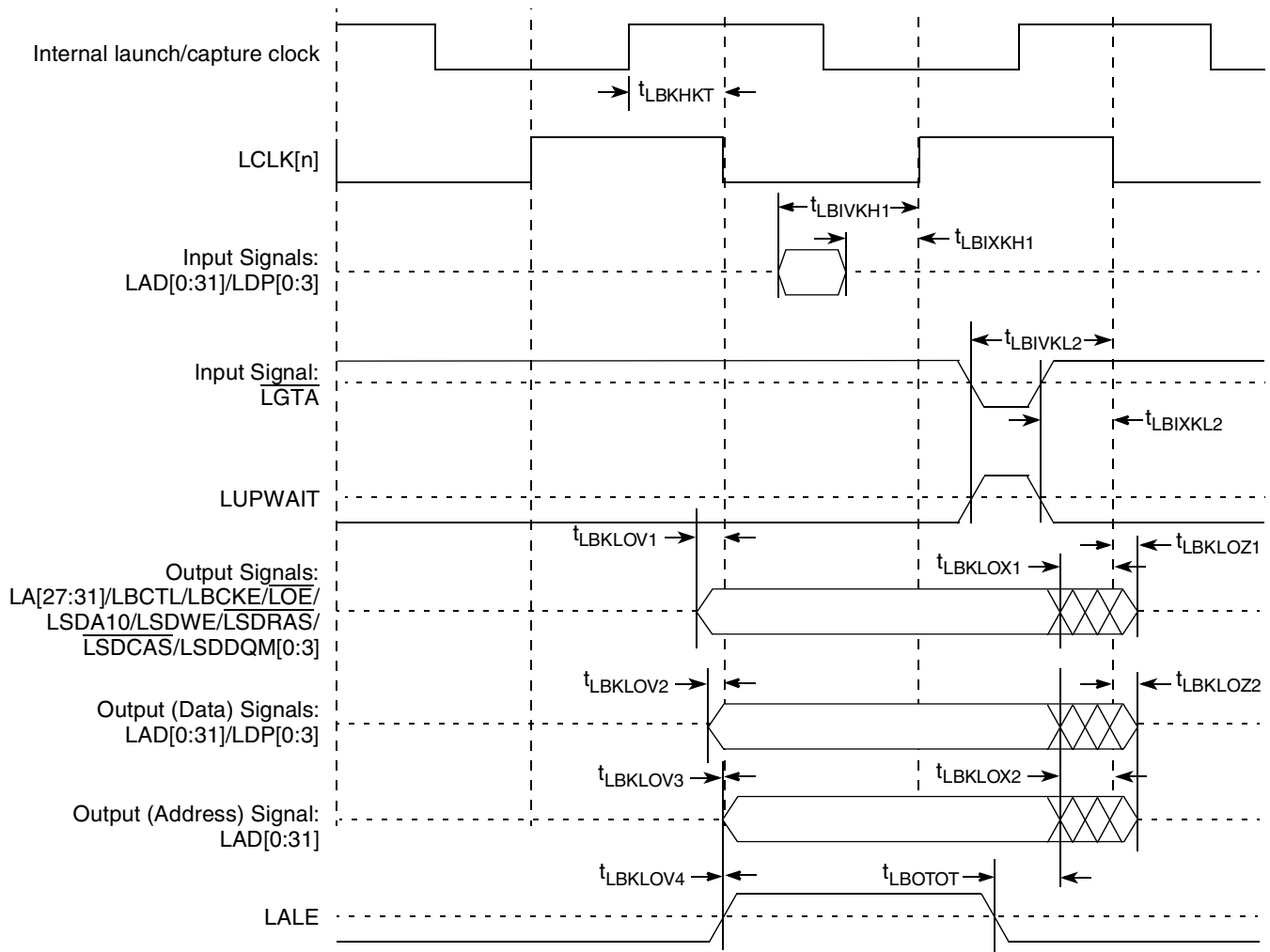


Figure 27. Local Bus Signals (PLL Bypass Mode)

**NOTE**

In PLL bypass mode, LCLK[n] is the inverted version of the internal clock with the delay of  $t_{LBKHKHT}$ . In this mode, signals are launched at the rising edge of the internal clock and are captured at falling edge of the internal clock, with the exception of the  $\overline{LGTA}$ /LUPWAIT signal, which is captured at the rising edge of the internal clock.

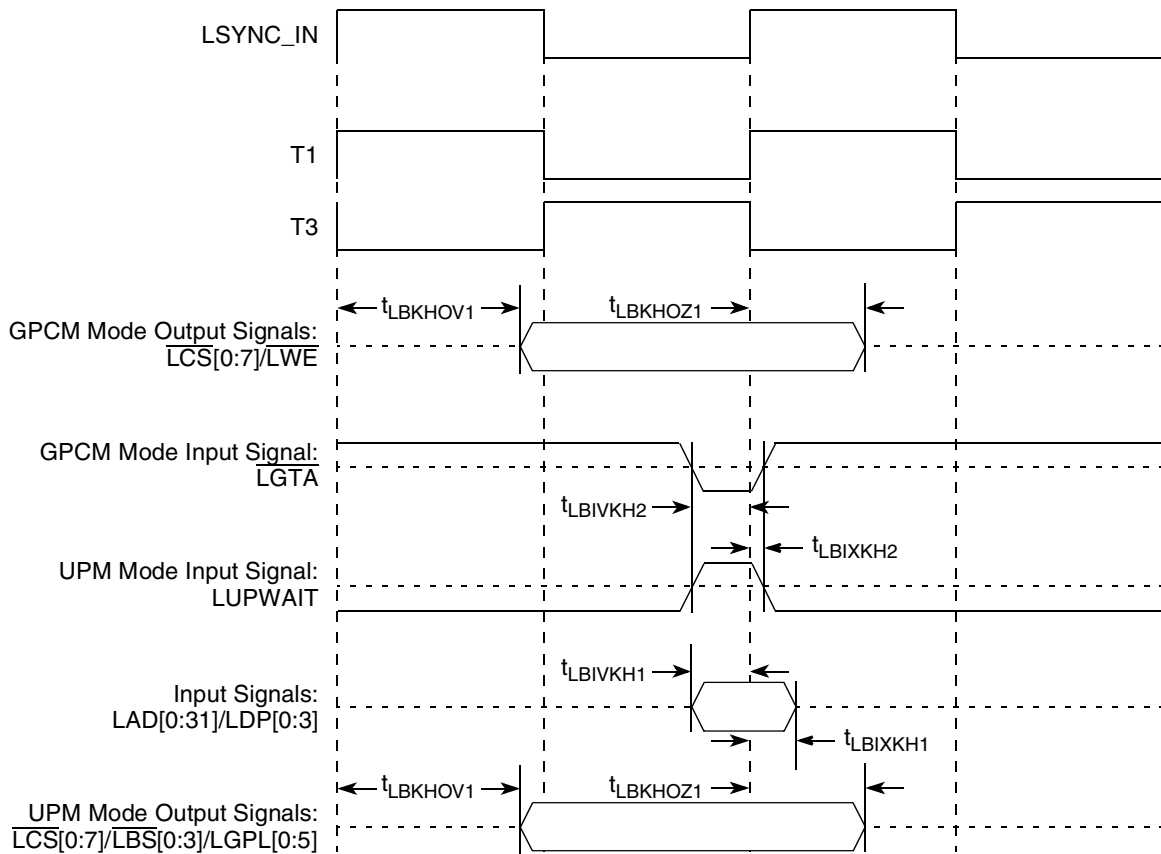
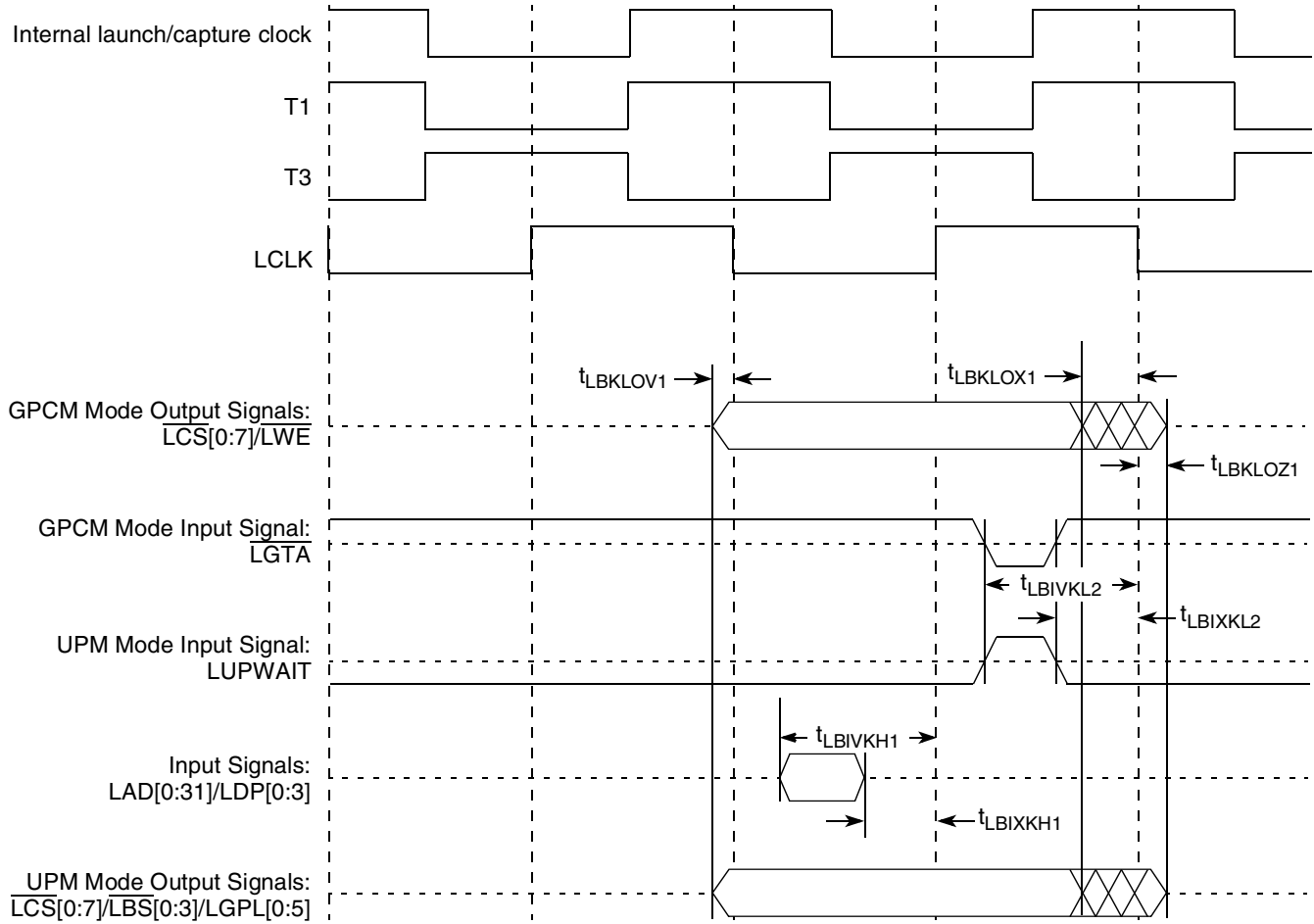
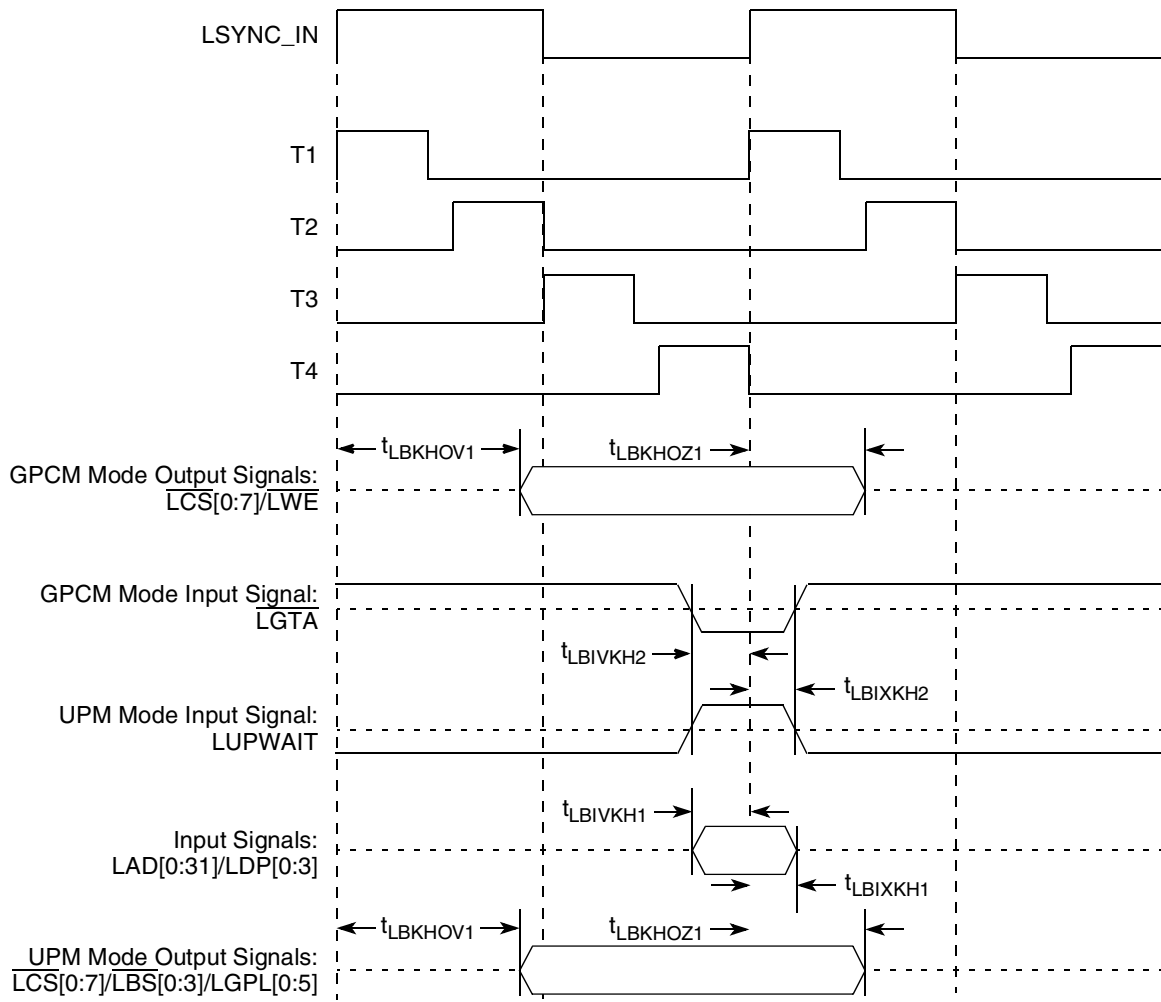


Figure 28. Local Bus Signals, GPCM/UPM Signals for LCRR[CLKDIV] = 2 (clock ratio of 4) (PLL Enabled)

Local Bus



**Figure 29. Local Bus Signals, GPCM/UPM Signals for LCRR[CLKDIV] = 2 (clock ratio of 4) (PLL Bypass Mode)**



**Figure 30. Local Bus Signals, GPCM/UPM Signals for LCRR[CLKDIV] = 4 or 8 (clock ratio of 8 or 16) (PLL Enabled)**

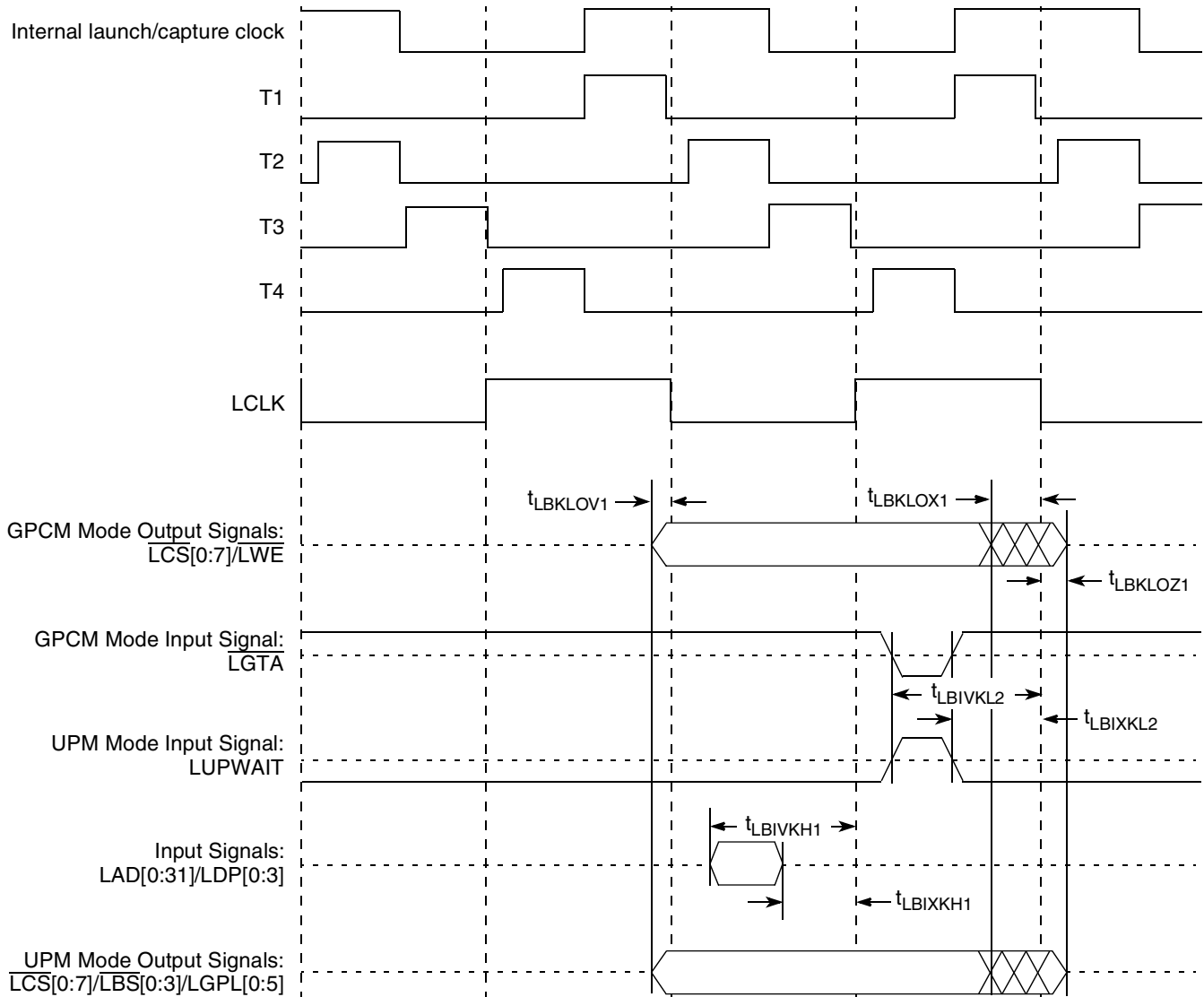


Figure 31. Local Bus Signals, GPCM/UPM Signals for LCRR[CLKDIV] = 4 or 8 (clock ratio of 8 or 16) (PLL Bypass Mode)

## 11 JTAG

This section describes the DC and AC electrical specifications for the IEEE 1149.1 (JTAG) interface of the MPC8641/D.

### 11.1 JTAG DC Electrical Characteristics

Table 43 provides the DC electrical characteristics for the JTAG interface.

**Table 43. JTAG DC Electrical Characteristics**

Parameter	Symbol	Min	Max	Unit
High-level input voltage	$V_{IH}$	2	$OV_{DD} + 0.3$	V
Low-level input voltage	$V_{IL}$	-0.3	0.8	V
Input current ( $V_{IN}^1 = 0\text{ V}$ or $V_{IN} = V_{DD}$ )	$I_{IN}$	—	$\pm 5$	$\mu\text{A}$
High-level output voltage ( $OV_{DD} = \text{min}$ , $I_{OH} = -100\ \mu\text{A}$ )	$V_{OH}$	$OV_{DD} - 0.2$	—	V
Low-level output voltage ( $OV_{DD} = \text{min}$ , $I_{OL} = 100\ \mu\text{A}$ )	$V_{OL}$	—	0.2	V

**Note:**

- Note that the symbol  $V_{IN}$ , in this case, represents the  $OV_{IN}$  symbol referenced in [Table 1](#) and [Table 2](#).

## 11.2 JTAG AC Electrical Specifications

[Table 44](#) provides the JTAG AC timing specifications as defined in [Figure 33](#) through [Figure 35](#).

**Table 44. JTAG AC Timing Specifications (Independent of SYSCLK) <sup>1</sup>**

At recommended operating conditions (see [Table 3](#)).

Parameter	Symbol <sup>2</sup>	Min	Max	Unit	Notes
JTAG external clock frequency of operation	$f_{JTG}$	0	33.3	MHz	
JTAG external clock cycle time	$t_{JTG}$	30	—	ns	
JTAG external clock pulse width measured at 1.4 V	$t_{JTKHKL}$	15	—	ns	
JTAG external clock rise and fall times	$t_{JTGR}$ & $t_{JTGF}$	0	2	ns	6
$\overline{\text{TRST}}$ assert time	$t_{TRST}$	25	—	ns	3
Input setup times:				ns	
Boundary-scan data TMS, TDI	$t_{JTDVKH}$ $t_{JTIVKH}$	4 0	— —		4
Input hold times:				ns	
Boundary-scan data TMS, TDI	$t_{JTDXKH}$ $t_{JTIXKH}$	20 25	— —		4
Valid times:				ns	
Boundary-scan data TDO	$t_{JTKLDV}$ $t_{JTKLOV}$	4 4	20 25		5
Output hold times:				ns	
Boundary-scan data TDO	$t_{JTKLDX}$ $t_{JTKLOX}$	30 30	— —		5, 6
JTAG external clock to output high impedance:				ns	
Boundary-scan data TDO	$t_{JTKLDZ}$ $t_{JTKLOZ}$	3 3	19 9		5, 6

**Table 44. JTAG AC Timing Specifications (Independent of SYSCLK) <sup>1</sup> (continued)**

At recommended operating conditions (see Table 3).

Parameter	Symbol <sup>2</sup>	Min	Max	Unit	Notes
-----------	---------------------	-----	-----	------	-------

**Notes:**

1. All outputs are measured from the midpoint voltage of the falling/rising edge of  $t_{TCLK}$  to the midpoint of the signal in question. The output timings are measured at the pins. All output timings assume a purely resistive 50-Ω load (see Figure 32). Time-of-flight delays must be added for trace lengths, vias, and connectors in the system.
2. The symbols used for timing specifications herein follow the pattern of  $t_{(first\ two\ letters\ of\ functional\ block)(signal)(state)(reference)(state)}$  for inputs and  $t_{(first\ two\ letters\ of\ functional\ block)(reference)(state)(signal)(state)}$  for outputs. For example,  $t_{JTDVKH}$  symbolizes JTAG device timing (JT) with respect to the time data input signals (D) reaching the valid state (V) relative to the  $t_{JTG}$  clock reference (K) going to the high (H) state or setup time. Also,  $t_{JTDXKH}$  symbolizes JTAG timing (JT) with respect to the time data input signals (D) went invalid (X) relative to the  $t_{JTG}$  clock reference (K) going to the high (H) state. Note that, in general, the clock reference symbol representation is based on three letters representing the clock of a particular functional. For rise and fall times, the latter convention is used with the appropriate letter: R (rise) or F (fall).
3.  $\overline{TRST}$  is an asynchronous level sensitive signal. The setup time is for test purposes only.
4. Non-JTAG signal input timing with respect to  $t_{TCLK}$ .
5. Non-JTAG signal output timing with respect to  $t_{TCLK}$ .
6. Guaranteed by design.



Figure 32 provides the AC test load for TDO and the boundary-scan outputs.

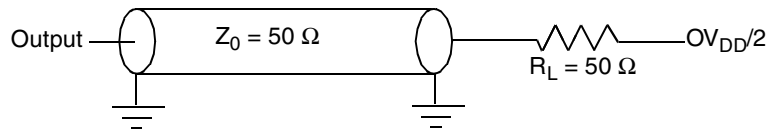


Figure 32. AC Test Load for the JTAG Interface

Figure 33 provides the JTAG clock input timing diagram.

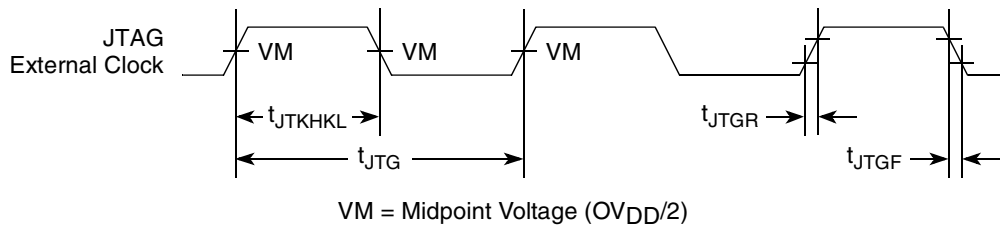


Figure 33. JTAG Clock Input Timing Diagram

Figure 34 provides the  $\overline{TRST}$  timing diagram.

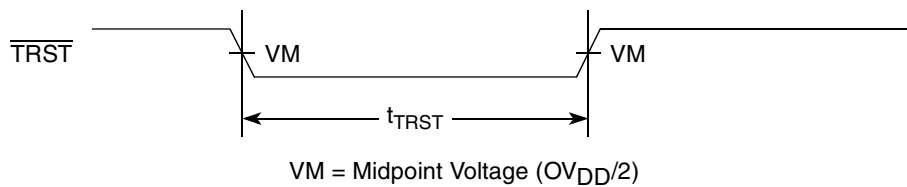


Figure 34.  $\overline{TRST}$  Timing Diagram

Figure 35 provides the boundary-scan timing diagram.

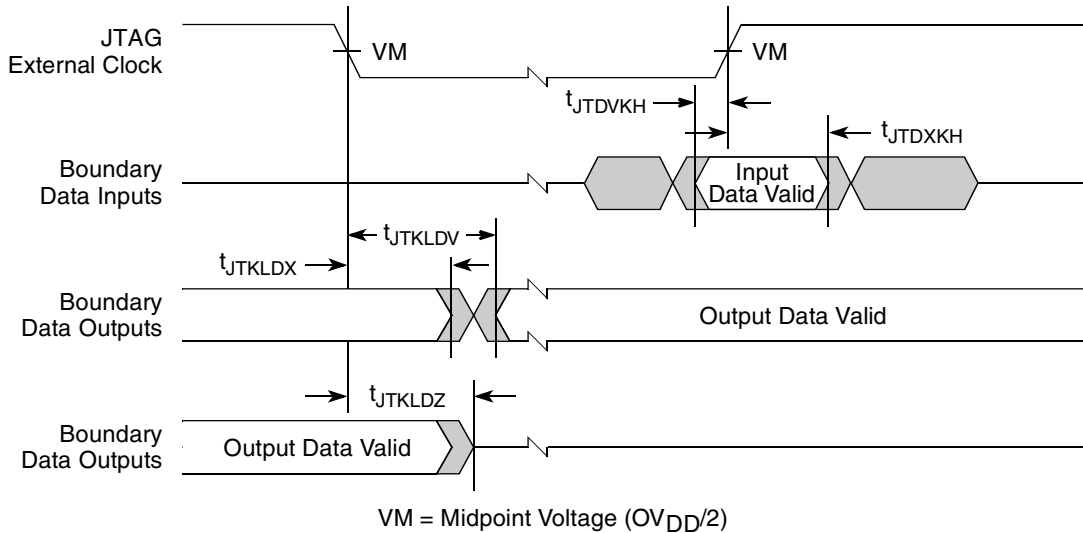


Figure 35. Boundary-Scan Timing Diagram

## 12 I<sup>2</sup>C

This section describes the DC and AC electrical characteristics for the I<sup>2</sup>C interfaces of the MPC8641.

### 12.1 I<sup>2</sup>C DC Electrical Characteristics

Table 45 provides the DC electrical characteristics for the I<sup>2</sup>C interfaces.

**Table 45. I<sup>2</sup>C DC Electrical Characteristics**

At recommended operating conditions with  $OV_{DD}$  of  $3.3\text{ V} \pm 5\%$ .

Parameter	Symbol	Min	Max	Unit	Notes
Input high voltage level	$V_{IH}$	$0.7 \times OV_{DD}$	$OV_{DD} + 0.3$	V	
Input low voltage level	$V_{IL}$	-0.3	$0.3 \times OV_{DD}$	V	
Low level output voltage	$V_{OL}$	0	$0.2 \times OV_{DD}$	V	1
Pulse width of spikes which must be suppressed by the input filter	$t_{I2KHKL}$	0	50	ns	2
Input current each I/O pin (input voltage is between $0.1 \times OV_{DD}$ and $0.9 \times OV_{DD}(\text{max})$ )	$I_I$	-10	10	$\mu\text{A}$	3
Capacitance for each I/O pin	$C_I$	—	10	pF	

**Notes:**

1. Output voltage (open drain or open collector) condition = 3 mA sink current.
2. Refer to the *MPC8641 Integrated Host Processor Reference Manual* for information on the digital filter used.
3. I/O pins will obstruct the SDA and SCL lines if  $OV_{DD}$  is switched off.

### 12.2 I<sup>2</sup>C AC Electrical Specifications

Table 46 provides the AC timing parameters for the I<sup>2</sup>C interfaces.

**Table 46. I<sup>2</sup>C AC Electrical Specifications**

All values refer to  $V_{IH}$  (min) and  $V_{IL}$  (max) levels (see Table 45).

Parameter	Symbol <sup>1</sup>	Min	Max	Unit
SCL clock frequency	$f_{I2C}$	0	400	kHz
Low period of the SCL clock	$t_{I2CL}$ <sup>4</sup>	1.3	—	$\mu\text{s}$
High period of the SCL clock	$t_{I2CH}$ <sup>4</sup>	0.6	—	$\mu\text{s}$
Setup time for a repeated START condition	$t_{I2SVKH}$ <sup>4</sup>	0.6	—	$\mu\text{s}$
Hold time (repeated) START condition (after this period, the first clock pulse is generated)	$t_{I2SXKL}$ <sup>4</sup>	0.6	—	$\mu\text{s}$
Data setup time	$t_{I2DVKH}$ <sup>4</sup>	100	—	ns
Data input hold time: CBUS compatible masters I <sup>2</sup> C bus devices	$t_{I2DXKL}$	— 0 <sup>2</sup>	— —	$\mu\text{s}$
Rise time of both SDA and SCL signals	$t_{I2CR}$	$20 + 0.1 C_B$ <sup>5</sup>	300	ns

**Table 46. I<sup>2</sup>C AC Electrical Specifications (continued)**

All values refer to V<sub>IH</sub> (min) and V<sub>IL</sub> (max) levels (see Table 45).

Parameter	Symbol <sup>1</sup>	Min	Max	Unit
Fall time of both SDA and SCL signals	t <sub>I2CF</sub>	20 + 0.1 C <sub>b</sub> <sup>5</sup>	300	ns
Data output delay time	t <sub>I2OVKL</sub>	—	0.9 <sup>3</sup>	μs
Set-up time for STOP condition	t <sub>I2PVKH</sub>	0.6	—	μs
Bus free time between a STOP and START condition	t <sub>I2KHDX</sub>	1.3	—	μs
Noise margin at the LOW level for each connected device (including hysteresis)	V <sub>NL</sub>	0.1 × OV <sub>DD</sub>	—	V
Noise margin at the HIGH level for each connected device (including hysteresis)	V <sub>NH</sub>	0.2 × OV <sub>DD</sub>	—	V

**Note:**

- The symbols used for timing specifications herein follow the pattern of t<sub>(first two letters of functional block)(signal)(state)(reference)(state)</sub> for inputs and t<sub>(first two letters of functional block)(reference)(state)(signal)(state)</sub> for outputs. For example, t<sub>I2DVKH</sub> symbolizes I<sup>2</sup>C timing (I2) with respect to the time data input signals (D) reach the valid state (V) relative to the t<sub>I2C</sub> clock reference (K) going to the high (H) state or setup time. Also, t<sub>I2SXKL</sub> symbolizes I<sup>2</sup>C timing (I2) for the time that the data with respect to the start condition (S) went invalid (X) relative to the t<sub>I2C</sub> clock reference (K) going to the low (L) state or hold time. Also, t<sub>I2PVKH</sub> symbolizes I<sup>2</sup>C timing (I2) for the time that the data with respect to the stop condition (P) reaching the valid state (V) relative to the t<sub>I2C</sub> clock reference (K) going to the high (H) state or setup time. For rise and fall times, the latter convention is used with the appropriate letter: R (rise) or F (fall).
- As a transmitter, the MPC8641 provides a delay time of at least 300 ns for the SDA signal (referred to the Vihmin of the SCL signal) to bridge the undefined region of the falling edge of SCL to avoid unintended generation of Start or Stop condition. When MPC8641 acts as the I<sup>2</sup>C bus master while transmitting, MPC8641 drives both SCL and SDA. As long as the load on SCL and SDA are balanced, MPC8641 would not cause unintended generation of Start or Stop condition. Therefore, the 300 ns SDA output delay time is not a concern. If, under some rare condition, the 300 ns SDA output delay time is required for MPC8641 as transmitter, the following setting is recommended for the FDR bit field of the I2CFDR register to ensure both the desired I<sup>2</sup>C SCL clock frequency and SDA output delay time are achieved, assuming that the desired I<sup>2</sup>C SCL clock frequency is 400 KHz and the Digital Filter Sampling Rate Register (I2CDFSRR) is programmed with its default setting of 0x10 (decimal 16):
 

I <sup>2</sup> C Source Clock Frequency	333 MHz	266 MHz	200 MHz	133 MHz
FDR Bit Setting	0x2A	0x05	0x26	0x00
Actual FDR Divider Selected	896	704	512	384
Actual I <sup>2</sup> C SCL Frequency Generated	371 KHz	378 KHz	390 KHz	346 KHz

 For the detail of I<sup>2</sup>C frequency calculation, refer to the application note AN2919 "Determining the I<sup>2</sup>C Frequency Divider Ratio for SCL". Note that the I<sup>2</sup>C Source Clock Frequency is half of the MPX clock frequency for MPC8641.
- The maximum t<sub>I2DXKL</sub> has only to be met if the device does not stretch the LOW period (t<sub>I2CL</sub>) of the SCL signal.
- Guaranteed by design.
- C<sub>B</sub> = capacitance of one bus line in pF.

Figure 32 provides the AC test load for the I<sup>2</sup>C.

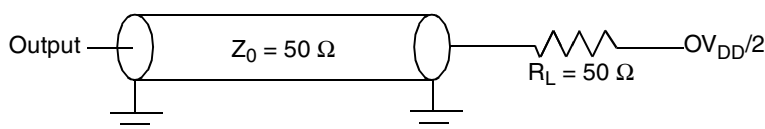
**Figure 36. I<sup>2</sup>C AC Test Load**

Figure 37 shows the AC timing diagram for the I<sup>2</sup>C bus.



The Differential Input Voltage (or Swing) of the receiver,  $V_{ID}$ , is defined as the difference of the two complimentary input voltages:  $V_{SDn\_RX} - \overline{V_{SDn\_RX}}$ . The  $V_{ID}$  value can be either positive or negative.

#### 4. Differential Peak Voltage, $V_{DIFFp}$

The peak value of the differential transmitter output signal or the differential receiver input signal is defined as Differential Peak Voltage,  $V_{DIFFp} = |A - B|$  Volts.

#### 5. Differential Peak-to-Peak, $V_{DIFFp-p}$

Since the differential output signal of the transmitter and the differential input signal of the receiver each range from  $A - B$  to  $-(A - B)$  Volts, the peak-to-peak value of the differential transmitter output signal or the differential receiver input signal is defined as Differential Peak-to-Peak Voltage,  $V_{DIFFp-p} = 2 * V_{DIFFp} = 2 * |A - B|$  Volts, which is twice of differential swing in amplitude, or twice of the differential peak. For example, the output differential peak-peak voltage can also be calculated as  $V_{TX-DIFFp-p} = 2 * |V_{OD}|$ .

#### 6. Differential Waveform

The differential waveform is constructed by subtracting the inverting signal ( $\overline{SDn\_TX}$ , for example) from the non-inverting signal ( $SDn\_TX$ , for example) within a differential pair. There is only one signal trace curve in a differential waveform. The voltage represented in the differential waveform is not referenced to ground. Refer to [Figure 47](#) as an example for differential waveform.

#### 7. Common Mode Voltage, $V_{cm}$

The Common Mode Voltage is equal to one half of the sum of the voltages between each conductor of a balanced interchange circuit and ground. In this example, for SerDes output,  $V_{cm\_out} = (V_{SDn\_TX} + \overline{V_{SDn\_TX}}) / 2 = (A + B) / 2$ , which is the arithmetic mean of the two complimentary output voltages within a differential pair. In a system, the common mode voltage may often differ from one component's output to the other's input. Sometimes, it may be even different between the receiver input and driver output circuits within the same component. It's also referred as the DC offset in some occasion.

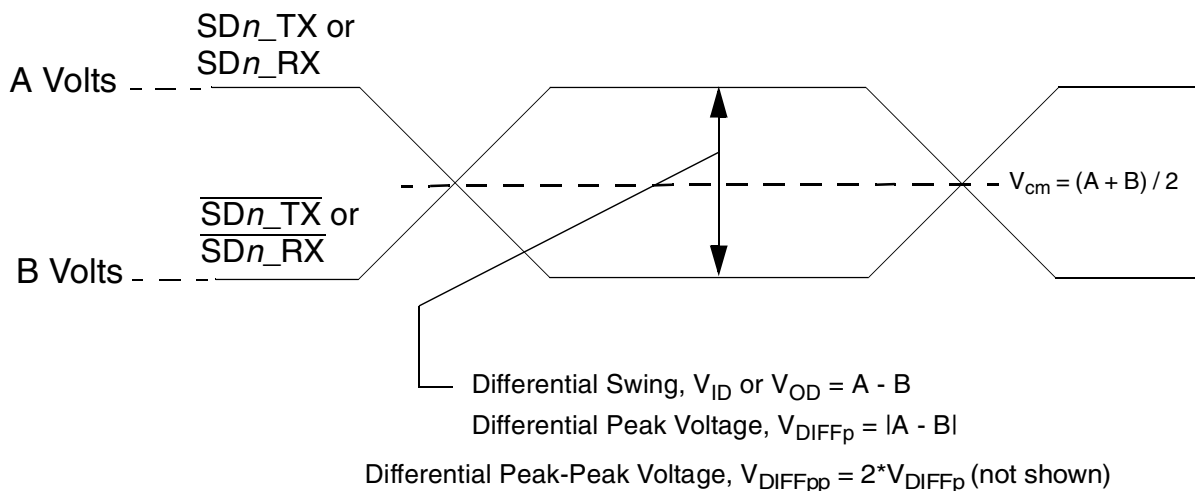


Figure 38. Differential Voltage Definitions for Transmitter or Receiver

To illustrate these definitions using real values, consider the case of a CML (Current Mode Logic) transmitter that has a common mode voltage of 2.25 V and each of its outputs, TD and  $\overline{\text{TD}}$ , has a swing that goes between 2.5V and 2.0V. Using these values, the peak-to-peak voltage swing of each signal (TD or  $\overline{\text{TD}}$ ) is 500 mV p-p, which is referred as the single-ended swing for each signal. In this example, since the differential signaling environment is fully symmetrical, the transmitter output's differential swing ( $V_{\text{OD}}$ ) has the same amplitude as each signal's single-ended swing. The differential output signal ranges between 500 mV and -500 mV, in other words,  $V_{\text{OD}}$  is 500 mV in one phase and -500 mV in the other phase. The peak differential voltage ( $V_{\text{DIFFp}}$ ) is 500 mV. The peak-to-peak differential voltage ( $V_{\text{DIFFp-p}}$ ) is 1000 mV p-p.

## 13.2 SerDes Reference Clocks

The SerDes reference clock inputs are applied to an internal PLL whose output creates the clock used by the corresponding SerDes lanes. The SerDes reference clocks inputs are  $\text{SD}n_{\text{REF\_CLK}}$  and  $\overline{\text{SD}n_{\text{REF\_CLK}}}$  for PCI Express and Serial RapidIO.

The following sections describe the SerDes reference clock requirements and some application information.

### 13.2.1 SerDes Reference Clock Receiver Characteristics

Figure 39 shows a receiver reference diagram of the SerDes reference clocks.

- The supply voltage requirements for  $XV_{\text{DD\_SRDS}n}$  are specified in Table 1 and Table 2.
- SerDes Reference Clock Receiver Reference Circuit Structure
  - The  $\text{SD}n_{\text{REF\_CLK}}$  and  $\overline{\text{SD}n_{\text{REF\_CLK}}}$  are internally AC-coupled differential inputs as shown in Figure 39. Each differential clock input ( $\text{SD}n_{\text{REF\_CLK}}$  or  $\overline{\text{SD}n_{\text{REF\_CLK}}}$ ) has a 50- $\Omega$  termination to SGND followed by on-chip AC-coupling.
  - The external reference clock driver must be able to drive this termination.
  - The SerDes reference clock input can be either differential or single-ended. Refer to the Differential Mode and Single-ended Mode description below for further detailed requirements.
- The maximum average current requirement that also determines the common mode voltage range
  - When the SerDes reference clock differential inputs are DC coupled externally with the clock driver chip, the maximum average current allowed for each input pin is 8mA. In this case, the exact common mode input voltage is not critical as long as it is within the range allowed by the maximum average current of 8 mA (refer to the following bullet for more detail), since the input is AC-coupled on-chip.
  - This current limitation sets the maximum common mode input voltage to be less than 0.4V ( $0.4\text{V}/50 = 8\text{mA}$ ) while the minimum common mode input level is 0.1V above SGND. For example, a clock with a 50/50 duty cycle can be produced by a clock driver with output driven by its current source from 0mA to 16mA (0-0.8V), such that each phase of the differential input has a single-ended swing from 0V to 800mV with the common mode voltage at 400mV.
  - If the device driving the  $\text{SD}n_{\text{REF\_CLK}}$  and  $\overline{\text{SD}n_{\text{REF\_CLK}}}$  inputs cannot drive 50 ohms to SGND DC, or it exceeds the maximum input current limitations, then it must be AC-coupled off-chip.

- The input amplitude requirement
  - This requirement is described in detail in the following sections.

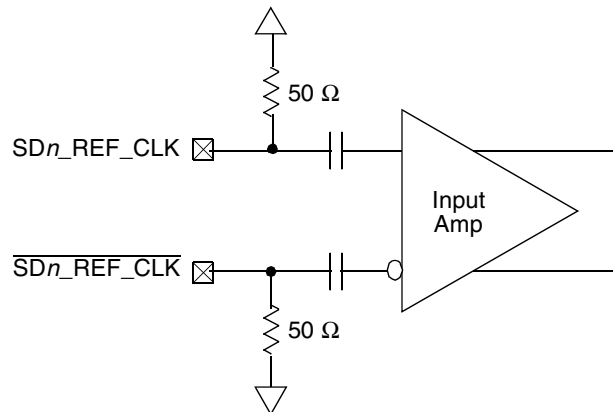


Figure 39. Receiver of SerDes Reference Clocks

### 13.2.2 DC Level Requirement for SerDes Reference Clocks

The DC level requirement for the MPC8641D SerDes reference clock inputs is different depending on the signaling mode used to connect the clock driver chip and SerDes reference clock inputs as described below.

- **Differential Mode**
  - The input amplitude of the differential clock must be between 400mV and 1600mV differential peak-peak (or between 200mV and 800mV differential peak). In other words, each signal wire of the differential pair must have a single-ended swing less than 800mV and greater than 200mV. This requirement is the same for both external DC-coupled or AC-coupled connection.
  - For **external DC-coupled** connection, as described in section 13.2.1, the maximum average current requirements sets the requirement for average voltage (common mode voltage) to be between 100 mV and 400 mV. Figure 40 shows the SerDes reference clock input requirement for DC-coupled connection scheme.
  - For **external AC-coupled** connection, there is no common mode voltage requirement for the clock driver. Since the external AC-coupling capacitor blocks the DC level, the clock driver and the SerDes reference clock receiver operate in different command mode voltages. The SerDes reference clock receiver in this connection scheme has its common mode voltage set to SGND. Each signal wire of the differential inputs is allowed to swing below and above the command mode voltage (SGND). Figure 41 shows the SerDes reference clock input requirement for AC-coupled connection scheme.
- **Single-ended Mode**
  - The reference clock can also be single-ended. The  $SDn\_REF\_CLK$  input amplitude (single-ended swing) must be between 400mV and 800mV peak-peak (from  $V_{min}$  to  $V_{max}$ ) with  $SDn\_REF\_CLK$  either left unconnected or tied to ground.
  - The  $SDn\_REF\_CLK$  input average voltage must be between 200 and 400 mV. Figure 42 shows the SerDes reference clock input requirement for single-ended signaling mode.

- To meet the input amplitude requirement, the reference clock inputs might need to be DC or AC-coupled externally. For the best noise performance, the reference of the clock could be DC or AC-coupled into the unused phase ( $\overline{SDn\_REF\_CLK}$ ) through the same source impedance as the clock input ( $SDn\_REF\_CLK$ ) in use.

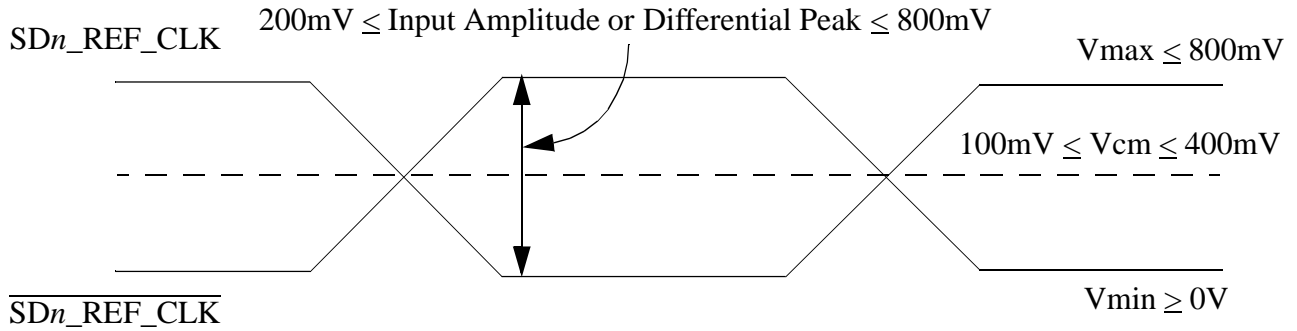


Figure 40. Differential Reference Clock Input DC Requirements (External DC-Coupled)

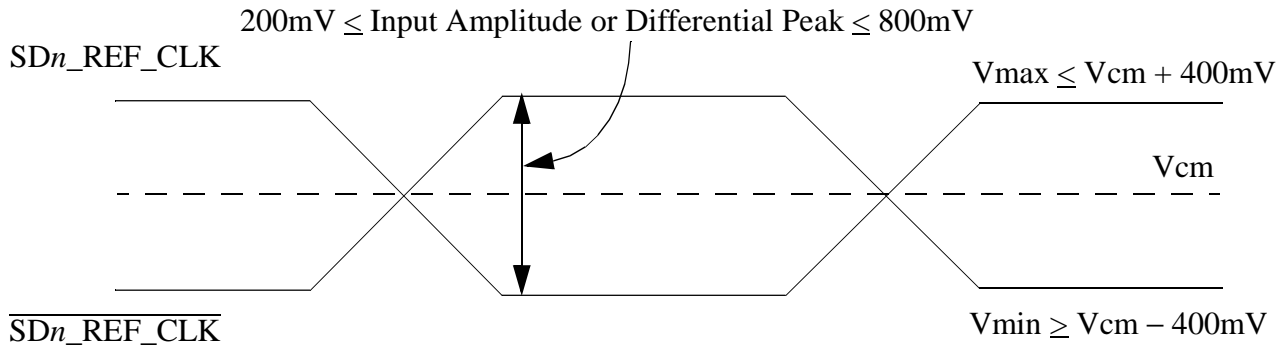


Figure 41. Differential Reference Clock Input DC Requirements (External AC-Coupled)

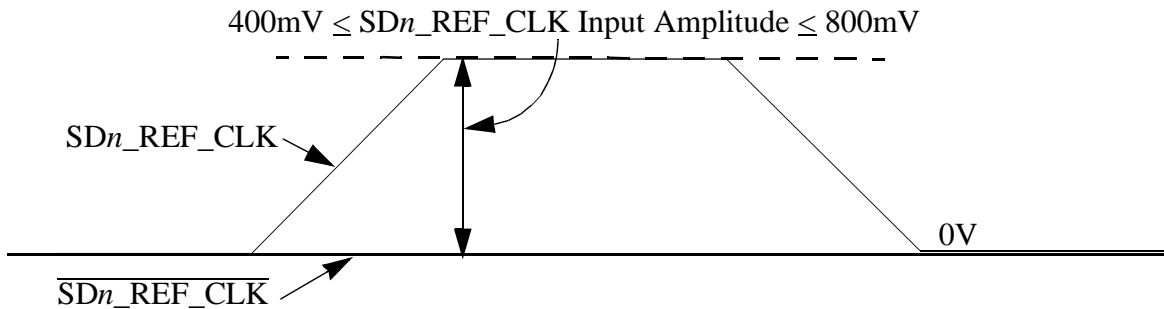


Figure 42. Single-Ended Reference Clock Input DC Requirements



### 13.2.3 Interfacing With Other Differential Signaling Levels

- With on-chip termination to SGND, the differential reference clocks inputs are HCSL (High-Speed Current Steering Logic) compatible DC-coupled.
- Many other low voltage differential type outputs like LVDS (Low Voltage Differential Signaling) can be used but may need to be AC-coupled due to the limited common mode input range allowed (100 to 400 mV) for DC-coupled connection.
- LVPECL outputs can produce signal with too large amplitude and may need to be DC-biased at clock driver output first, then followed with series attenuation resistor to reduce the amplitude, in addition to AC-coupling.

#### NOTE

Figure 43 to Figure 46 below are for conceptual reference only. Due to the fact that clock driver chip's internal structure, output impedance and termination requirements are different between various clock driver chip manufacturers, it's very possible that the clock circuit reference designs provided by clock driver chip vendor are different from what is shown below. They might also vary from one vendor to the other. Therefore, Freescale Semiconductor can neither provide the optimal clock driver reference circuits, nor guarantee the correctness of the following clock driver connection reference circuits. The system designer is recommended to contact the selected clock driver chip vendor for the optimal reference circuits with the MPC8641D SerDes reference clock receiver requirement provided in this document.

Figure 43 shows the SerDes reference clock connection reference circuits for HCSL type clock driver. It assumes that the DC levels of the clock driver chip is compatible with MPC8641D SerDes reference clock input's DC requirement.

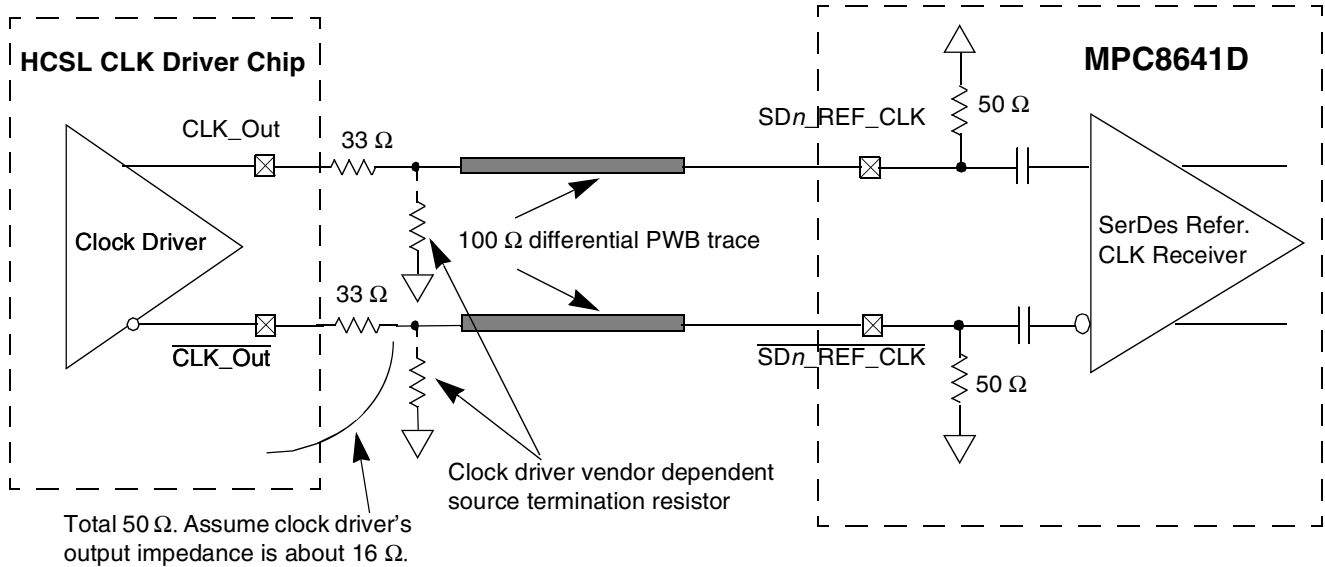


Figure 43. DC-Coupled Differential Connection with HCSL Clock Driver (Reference Only)

Figure 44 shows the SerDes reference clock connection reference circuits for LVDS type clock driver. Since LVDS clock driver's common mode voltage is higher than the MPC8641D SerDes reference clock input's allowed range (100 to 400mV), AC-coupled connection scheme must be used. It assumes the LVDS output driver features 50-Ω termination resistor. It also assumes that the LVDS transmitter establishes its own common mode level without relying on the receiver or other external component.

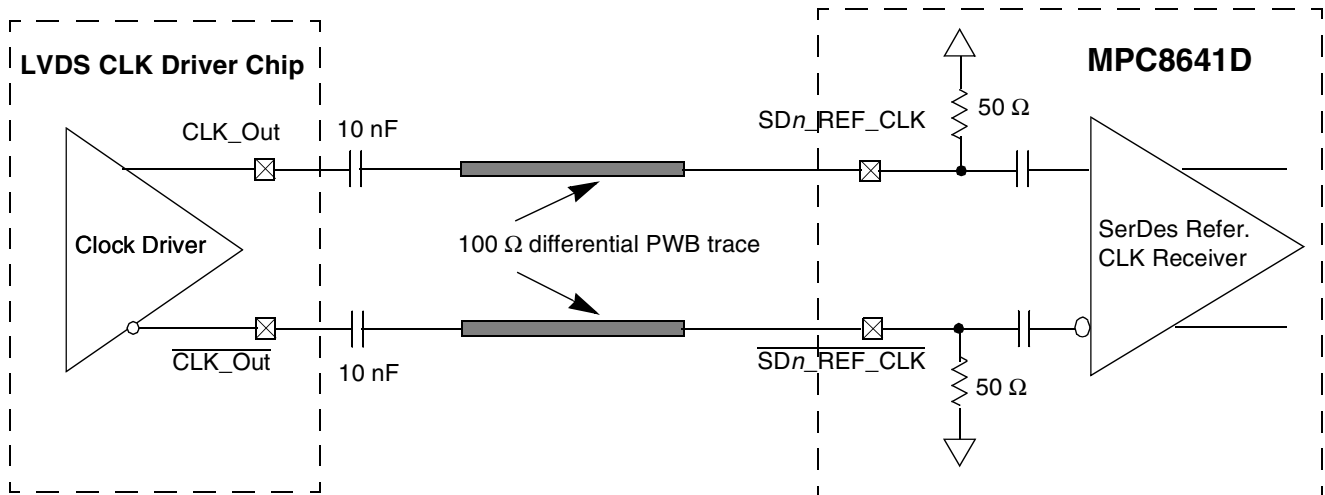


Figure 44. AC-Coupled Differential Connection with LVDS Clock Driver (Reference Only)

Figure 45 shows the SerDes reference clock connection reference circuits for LVPECL type clock driver. Since LVPECL driver's DC levels (both common mode voltages and output swing) are incompatible with MPC8641D SerDes reference clock input's DC requirement, AC-coupling has to be used. Figure 45 assumes that the LVPECL clock driver's output impedance is  $50\Omega$ . R1 is used to DC-bias the LVPECL outputs prior to AC-coupling. Its value could be ranged from  $140\Omega$  to  $240\Omega$  depending on clock driver vendor's requirement. R2 is used together with the SerDes reference clock receiver's  $50\Omega$  termination resistor to attenuate the LVPECL output's differential peak level such that it meets the MPC8641D SerDes reference clock's differential input amplitude requirement (between  $200\text{mV}$  and  $800\text{mV}$  differential peak). For example, if the LVPECL output's differential peak is  $900\text{mV}$  and the desired SerDes reference clock input amplitude is selected as  $600\text{mV}$ , the attenuation factor is  $0.67$ , which requires  $R2 = 25\Omega$ . Please consult clock driver chip manufacturer to verify whether this connection scheme is compatible with a particular clock driver chip.

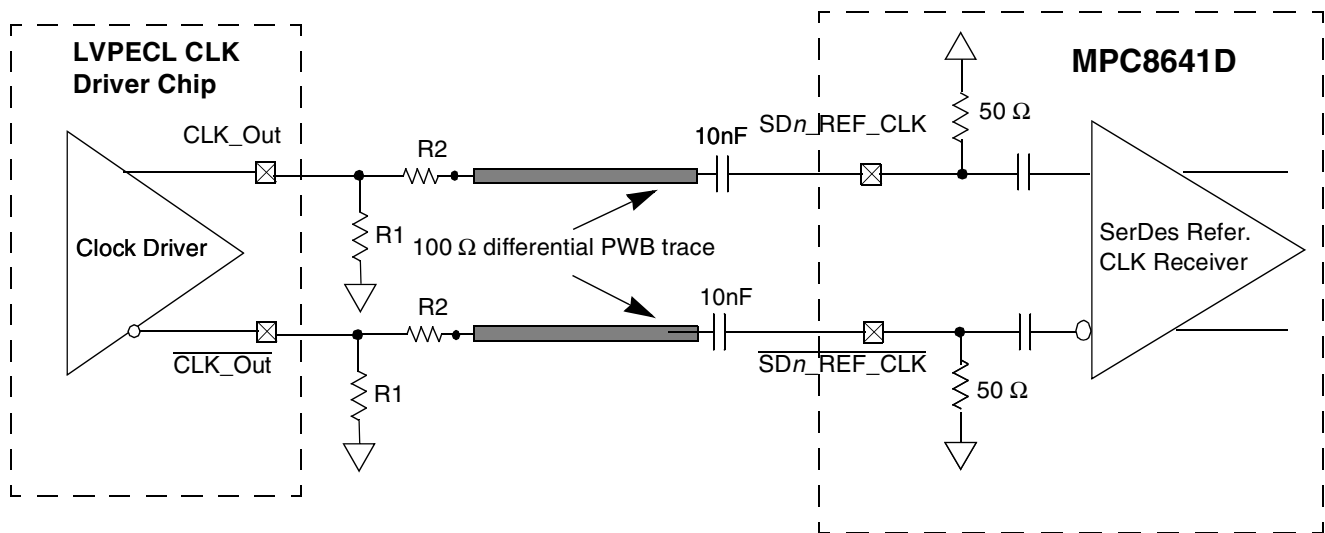


Figure 45. AC-Coupled Differential Connection with LVPECL Clock Driver (Reference Only)

Figure 46 shows the SerDes reference clock connection reference circuits for a single-ended clock driver. It assumes the DC levels of the clock driver are compatible with MPC8641D SerDes reference clock input's DC requirement.

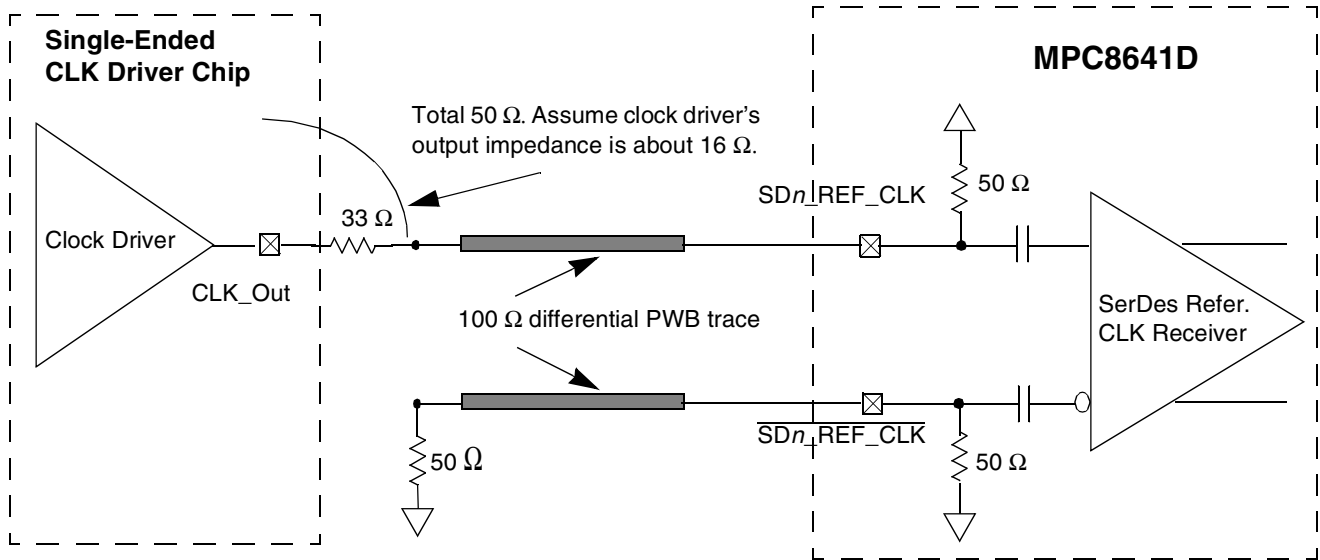


Figure 46. Single-Ended Connection (Reference Only)

### 13.2.4 AC Requirements for SerDes Reference Clocks

The clock driver selected should provide a high quality reference clock with low phase noise and cycle-to-cycle jitter. Phase noise less than 100KHz can be tracked by the PLL and data recovery loops and is less of a problem. Phase noise above 15MHz is filtered by the PLL. The most problematic phase noise occurs in the 1-15MHz range. The source impedance of the clock driver should be 50 ohms to match the transmission line and reduce reflections which are a source of noise to the system.

Table 47 describes some AC parameters common to PCI Express and Serial RapidIO protocols.

Table 47. SerDes Reference Clock Common AC Parameters

At recommended operating conditions with  $XV_{DD\_SRDS1}$  or  $XV_{DD\_SRDS2} = 1.1V \pm 5\%$  and  $1.05V \pm 5\%$ .

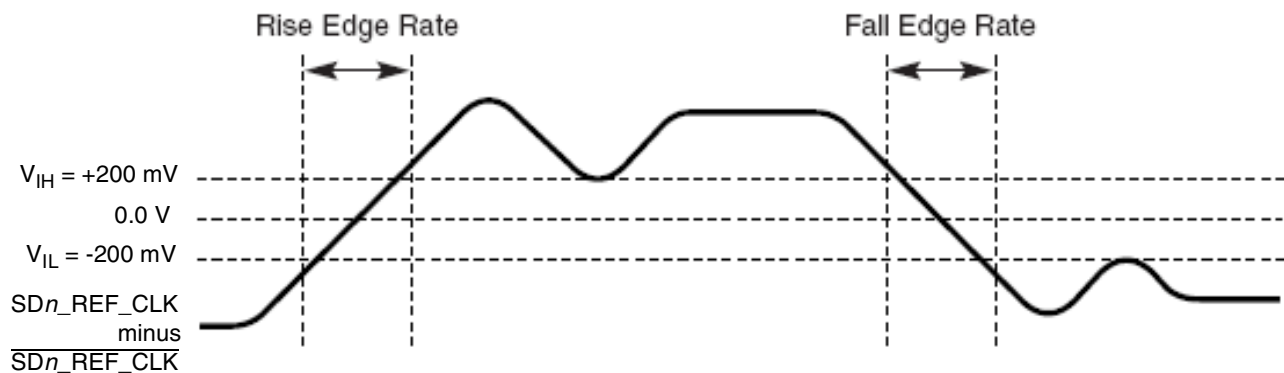
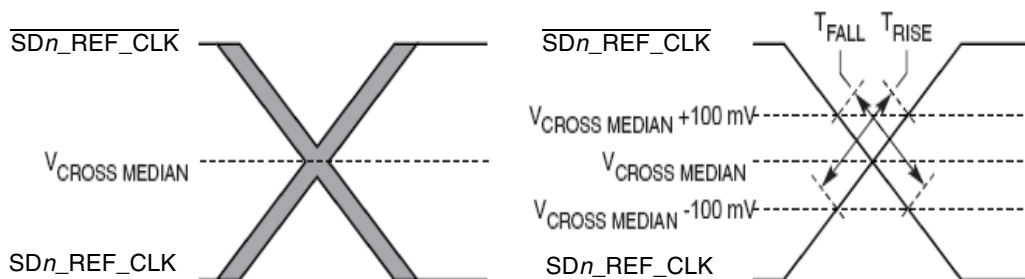
Parameter	Symbol	Min	Max	Unit	Notes
Rising Edge Rate	Rise Edge Rate	1.0	4.0	V/ns	2, 3
Falling Edge Rate	Fall Edge Rate	1.0	4.0	V/ns	2, 3
Differential Input High Voltage	$V_{IH}$	+200		mV	2
Differential Input Low Voltage	$V_{IL}$	—	-200	mV	2

**Table 47. SerDes Reference Clock Common AC Parameters (continued)**At recommended operating conditions with  $XV_{DD\_SRDS1}$  or  $XV_{DD\_SRDS2} = 1.1V \pm 5\%$  and  $1.05V \pm 5\%$ .

Parameter	Symbol	Min	Max	Unit	Notes
Rising edge rate ( $SDn\_REF\_CLK$ ) to falling edge rate ( $\overline{SDn\_REF\_CLK}$ ) matching	Rise-Fall Matching	—	20	%	1, 4

**Notes:**

1. Measurement taken from single ended waveform.
2. Measurement taken from differential waveform.
3. Measured from -200 mV to +200 mV on the differential waveform (derived from  $SDn\_REF\_CLK$  minus  $\overline{SDn\_REF\_CLK}$ ). The signal must be monotonic through the measurement region for rise and fall time. The 400 mV measurement window is centered on the differential zero crossing. See Figure 47.
4. Matching applies to rising edge rate for  $SDn\_REF\_CLK$  and falling edge rate for  $\overline{SDn\_REF\_CLK}$ . It is measured using a 200 mV window centered on the median cross point where  $SDn\_REF\_CLK$  rising meets  $\overline{SDn\_REF\_CLK}$  falling. The median cross point is used to calculate the voltage thresholds the oscilloscope is to use for the edge rate calculations. The Rise Edge Rate of  $SDn\_REF\_CLK$  should be compared to the Fall Edge Rate of  $\overline{SDn\_REF\_CLK}$ , the maximum allowed difference should not exceed 20% of the slowest edge rate. See Figure 48.

**Figure 47. Differential Measurement Points for Rise and Fall Time****Figure 48. Single-Ended Measurement Points for Rise and Fall Time Matching**

The other detailed AC requirements of the SerDes Reference Clocks is defined by each interface protocol based on application usage. Refer to the following sections for detailed information:

- [Section 14.2, “AC Requirements for PCI Express SerDes Clocks”](#)
- [Section 15.2, “AC Requirements for Serial RapidIO  \$SDn\\_REF\\_CLK\$  and  \$\overline{SDn\\_REF\\_CLK}\$ ”](#)

### 13.3 SerDes Transmitter and Receiver Reference Circuits

Figure 49 shows the reference circuits for SerDes data lane’s transmitter and receiver.

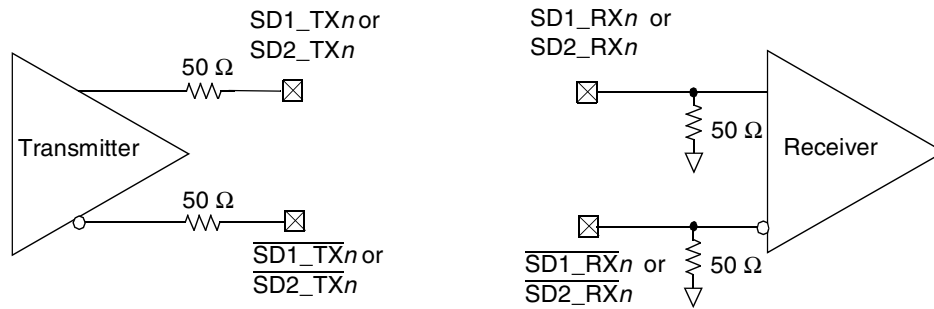


Figure 49. SerDes Transmitter and Receiver Reference Circuits

The DC and AC specification of SerDes data lanes are defined in each interface protocol section below (PCI Express or Serial Rapid IO) in this document based on the application usage:”

- Section 14, “PCI Express”
- Section 15, “Serial RapidIO”

Note that external AC Coupling capacitor is required for the above two serial transmission protocols with the capacitor value defined in specification of each protocol section.

## 14 PCI Express

This section describes the DC and AC electrical specifications for the PCI Express bus of the MPC8641.

### 14.1 DC Requirements for PCI Express SDn\_REF\_CLK and $\overline{\text{SDn\_REF\_CLK}}$

For more information, see Section 13.2, “SerDes Reference Clocks.”

### 14.2 AC Requirements for PCI Express SerDes Clocks

Table 48 lists AC requirements.

Table 48. SDn\_REF\_CLK and  $\overline{\text{SDn\_REF\_CLK}}$  AC Requirements

Symbol	Parameter Description	Min	Typical	Max	Units	Notes
t <sub>REF</sub>	REFCLK cycle time	-	10	-	ns	—
t <sub>REFCJ</sub>	REFCLK cycle-to-cycle jitter. Difference in the period of any two adjacent REFCLK cycles	—	—	100	ps	—
t <sub>REFPJ</sub>	Phase jitter. Deviation in edge location with respect to mean edge location	-50	—	50	ps	—

## 14.3 Clocking Dependencies

The ports on the two ends of a link must transmit data at a rate that is within 600 parts per million (ppm) of each other at all times. This is specified to allow bit rate clock sources with a  $\pm 300$  ppm tolerance.

## 14.4 Physical Layer Specifications

The following is a summary of the specifications for the physical layer of PCI Express on this device. For further details as well as the specifications of the Transport and Data Link layer please use the PCI EXPRESS Base Specification. REV. 1.0a document.

## 14.4.1 Differential Transmitter (TX) Output

Table 49 defines the specifications for the differential output at all transmitters (TXs). The parameters are specified at the component pins.

**Table 49. Differential Transmitter (TX) Output Specifications**

Symbol	Parameter	Min	Nom	Max	Units	Comments
UI	Unit Interval	399.88	400	400.12	ps	Each UI is 400 ps $\pm$ 300 ppm. UI does not account for Spread Spectrum Clock dictated variations. See Note 1.
$V_{TX-DIFFp-p}$	Differential Peak-to-Peak Output Voltage	0.8		1.2	V	$V_{TX-DIFFp-p} = 2 *  V_{TX-D+} - V_{TX-D-} $ See Note 2.
$V_{TX-DE-RATIO}$	De-Emphasized Differential Output Voltage (Ratio)	-3.0	-3.5	-4.0	dB	Ratio of the $V_{TX-DIFFp-p}$ of the second and following bits after a transition divided by the $V_{TX-DIFFp-p}$ of the first bit after a transition. See Note 2.
$T_{TX-EYE}$	Minimum TX Eye Width	0.70			UI	The maximum Transmitter jitter can be derived as $T_{TX-MAX-JITTER} = 1 - T_{TX-EYE} = 0.3$ UI. See Notes 2 and 3.
$T_{TX-EYE-MEDIAN-to-MAX-JITTER}$	Maximum time between the jitter median and maximum deviation from the median.			0.15	UI	Jitter is defined as the measurement variation of the crossing points ( $V_{TX-DIFFp-p} = 0$ V) in relation to a recovered TX UI. A recovered TX UI is calculated over 3500 consecutive unit intervals of sample data. Jitter is measured using all edges of the 250 consecutive UI in the center of the 3500 UI used for calculating the TX UI. See Notes 2 and 3.
$T_{TX-RISE}, T_{TX-FALL}$	D+/D- TX Output Rise/Fall Time	0.125			UI	See Notes 2 and 5
$V_{TX-CM-ACp}$	RMS AC Peak Common Mode Output Voltage			20	mV	$V_{TX-CM-ACp} = \text{RMS}( V_{TXD+} - V_{TXD-} /2 - V_{TX-CM-DC})$ $V_{TX-CM-DC} = DC_{(avg)}$ of $ V_{TX-D+} - V_{TX-D-} /2$ See Note 2
$V_{TX-CM-DC-ACTIVE-IDLE-DELTA}$	Absolute Delta of DC Common Mode Voltage During LO and Electrical Idle	0		100	mV	$ V_{TX-CM-DC}(\text{during LO}) - V_{TX-CM-DC}(\text{During Electrical Idle})  \leq 100$ mV $V_{TX-CM-DC} = DC_{(avg)}$ of $ V_{TX-D+} - V_{TX-D-} /2$ [LO] $V_{TX-CM-DC} = DC_{(avg)}$ of $ V_{TX-D+} - V_{TX-D-} /2$ [Electrical Idle] See Note 2.
$V_{TX-CM-DC-LINE-DELTA}$	Absolute Delta of DC Common Mode between D+ and D-	0		25	mV	$ V_{TX-CM-DC-D+} - V_{TX-CM-DC-D-}  \leq 25$ mV $V_{TX-CM-DC-D+} = DC_{(avg)}$ of $ V_{TX-D+} $ $V_{TX-CM-DC-D-} = DC_{(avg)}$ of $ V_{TX-D-} $ See Note 2.
$V_{TX-IDLE-DIFFp}$	Electrical Idle differential Peak Output Voltage	0		20	mV	$V_{TX-IDLE-DIFFp} =  V_{TX-IDLE-D+} - V_{TX-IDLE-D-}  \leq 20$ mV See Note 2.



Table 49. Differential Transmitter (TX) Output Specifications (continued)

Symbol	Parameter	Min	Nom	Max	Units	Comments
$V_{TX-RCV-DETECT}$	The amount of voltage change allowed during Receiver Detection			600	mV	The total amount of voltage change that a transmitter can apply to sense whether a low impedance Receiver is present. See Note 6.
$V_{TX-DC-CM}$	The TX DC Common Mode Voltage	0		3.6	V	The allowed DC Common Mode voltage under any conditions. See Note 6.
$I_{TX-SHORT}$	TX Short Circuit Current Limit			90	mA	The total current the Transmitter can provide when shorted to its ground
$T_{TX-IDLE-MIN}$	Minimum time spent in Electrical Idle	50			UI	Minimum time a Transmitter must be in Electrical Idle Utilized by the Receiver to start looking for an Electrical Idle Exit after successfully receiving an Electrical Idle ordered set
$T_{TX-IDLE-SET-TO-IDLE}$	Maximum time to transition to a valid Electrical idle after sending an Electrical Idle ordered set			20	UI	After sending an Electrical Idle ordered set, the Transmitter must meet all Electrical Idle Specifications within this time. This is considered a debounce time for the Transmitter to meet Electrical Idle after transitioning from LO.
$T_{TX-IDLE-TO-DIFF-DATA}$	Maximum time to transition to valid TX specifications after leaving an Electrical idle condition			20	UI	Maximum time to meet all TX specifications when transitioning from Electrical Idle to sending differential data. This is considered a debounce time for the TX to meet all TX specifications after leaving Electrical Idle
$RL_{TX-DIFF}$	Differential Return Loss	12			dB	Measured over 50 MHz to 1.25 GHz. See Note 4
$RL_{TX-CM}$	Common Mode Return Loss	6			dB	Measured over 50 MHz to 1.25 GHz. See Note 4
$Z_{TX-DIFF-DC}$	DC Differential TX Impedance	80	100	120	$\Omega$	TX DC Differential mode Low Impedance
$Z_{TX-DC}$	Transmitter DC Impedance	40			$\Omega$	Required TX D+ as well as D- DC Impedance during all states
$L_{TX-SKEW}$	Lane-to-Lane Output Skew			500 + 2 UI	ps	Static skew between any two Transmitter Lanes within a single Link
$C_{TX}$	AC Coupling Capacitor	75		200	nF	All Transmitters shall be AC coupled. The AC coupling is required either within the media or within the transmitting component itself.

**Table 49. Differential Transmitter (TX) Output Specifications (continued)**

Symbol	Parameter	Min	Nom	Max	Units	Comments
$T_{\text{crosslink}}$	Crosslink Random Timeout	0		1	ms	This random timeout helps resolve conflicts in crosslink configuration by eventually resulting in only one Downstream and one Upstream Port. See Note 7.
<b>Notes:</b>						
1.) No test load is necessarily associated with this value.						
2.) Specified at the measurement point into a timing and voltage compliance test load as shown in <a href="#">Figure 52</a> and measured over any 250 consecutive TX UIs. (Also refer to the transmitter compliance eye diagram shown in <a href="#">Figure 50</a> )						
3.) A $T_{\text{TX-EYE}} = 0.70$ UI provides for a total sum of deterministic and random jitter budget of $T_{\text{TX-JITTER-MAX}} = 0.30$ UI for the Transmitter collected over any 250 consecutive TX UIs. The $T_{\text{TX-EYE-MEDIAN-to-MAX-JITTER}}$ median is less than half of the total TX jitter budget collected over any 250 consecutive TX UIs. It should be noted that the median is not the same as the mean. The jitter median describes the point in time where the number of jitter points on either side is approximately equal as opposed to the averaged time value.						
4.) The Transmitter input impedance shall result in a differential return loss greater than or equal to 12 dB and a common mode return loss greater than or equal to 6 dB over a frequency range of 50 MHz to 1.25 GHz. This input impedance requirement applies to all valid input levels. The reference impedance for return loss measurements is 50 ohms to ground for both the D+ and D- line (that is, as measured by a Vector Network Analyzer with 50 ohm probes—see <a href="#">Figure 52</a> ). Note that the series capacitors $C_{\text{TX}}$ is optional for the return loss measurement.						
5.) Measured between 20-80% at transmitter package pins into a test load as shown in <a href="#">Figure 52</a> for both $V_{\text{TX-D+}}$ and $V_{\text{TX-D-}}$ .						
6.) See Section 4.3.1.8 of the PCI Express Base Specifications Rev 1.0a						
7.) See Section 4.2.6.3 of the PCI Express Base Specifications Rev 1.0a						

## 14.4.2 Transmitter Compliance Eye Diagrams

The TX eye diagram in [Figure 50](#) is specified using the passive compliance/test measurement load (see [Figure 52](#)) in place of any real PCI Express interconnect + RX component.

There are two eye diagrams that must be met for the transmitter. Both eye diagrams must be aligned in time using the jitter median to locate the center of the eye diagram. The different eye diagrams will differ in voltage depending whether it is a transition bit or a de-emphasized bit. The exact reduced voltage level of the de-emphasized bit will always be relative to the transition bit.

The eye diagram must be valid for any 250 consecutive UIs.

A recovered TX UI is calculated over 3500 consecutive unit intervals of sample data. The eye diagram is created using all edges of the 250 consecutive UI in the center of the 3500 UI used for calculating the TX UI.

### NOTE

It is recommended that the recovered TX UI is calculated using all edges in the 3500 consecutive UI interval with a fit algorithm using a minimization merit function (i.e., least squares and median deviation fits).

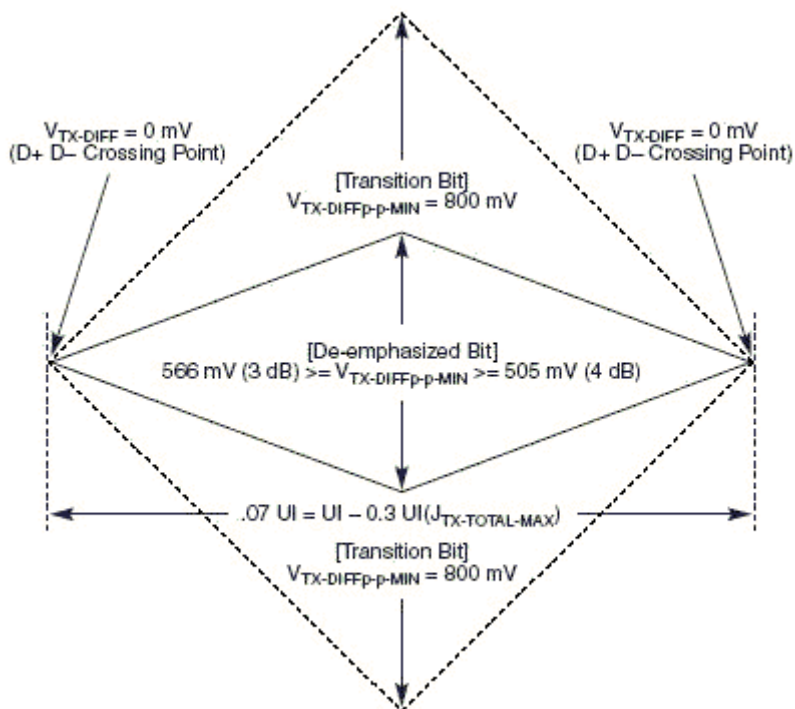


Figure 50. Minimum Transmitter Timing and Voltage Output Compliance Specifications

### 14.4.3 Differential Receiver (RX) Input Specifications

Table 50 defines the specifications for the differential input at all receivers (RXs). The parameters are specified at the component pins.

Table 50. Differential Receiver (RX) Input Specifications

Symbol	Parameter	Min	Nom	Max	Units	Comments
UI	Unit Interval	399.8 8	400	400.12	ps	Each UI is 400 ps $\pm$ 300 ppm. UI does not account for Spread Spectrum Clock dictated variations. See Note 1.
$V_{RX-DIFFp-p}$	Differential Peak-to-Peak Output Voltage	0.175		1.200	V	$V_{RX-DIFFp-p} = 2 *  V_{RX-D+} - V_{RX-D-} $ See Note 2.
$T_{RX-EYE}$	Minimum Receiver Eye Width	0.4			UI	The maximum interconnect media and Transmitter jitter that can be tolerated by the Receiver can be derived as $T_{RX-MAX-JITTER} = 1 - T_{RX-EYE} = 0.6 UI$ . See Notes 2 and 3.

Table 50. Differential Receiver (RX) Input Specifications (continued)

Symbol	Parameter	Min	Nom	Max	Units	Comments
$T_{RX-EYE-MEDIAN-to-MAX-JITTER}$	Maximum time between the jitter median and maximum deviation from the median.			0.3	UI	Jitter is defined as the measurement variation of the crossing points ( $V_{RX-DIFFp-p} = 0$ V) in relation to a recovered TX UI. A recovered TX UI is calculated over 3500 consecutive unit intervals of sample data. Jitter is measured using all edges of the 250 consecutive UI in the center of the 3500 UI used for calculating the TX UI. See Notes 2, 3 and 7.
$V_{RX-CM-ACp}$	AC Peak Common Mode Input Voltage			150	mV	$V_{RX-CM-ACp} = IV_{RXD+} - V_{RXD-}/2 - V_{RX-CM-DC}$ $V_{RX-CM-DC} = DC_{(avg)}$ of $IV_{RX-D+} - V_{RX-D-}/2$ See Note 2
$RL_{RX-DIFF}$	Differential Return Loss	15			dB	Measured over 50 MHz to 1.25 GHz with the D+ and D- lines biased at +300 mV and -300 mV, respectively. See Note 4
$RL_{RX-CM}$	Common Mode Return Loss	6			dB	Measured over 50 MHz to 1.25 GHz with the D+ and D- lines biased at 0 V. See Note 4
$Z_{RX-DIFF-DC}$	DC Differential Input Impedance	80	100	120	$\Omega$	RX DC Differential mode impedance. See Note 5
$Z_{RX-DC}$	DC Input Impedance	40	50	60	$\Omega$	Required RX D+ as well as D- DC Impedance ( $50 \pm 20\%$ tolerance). See Notes 2 and 5.
$Z_{RX-HIGH-IMP-DC}$	Powered Down DC Input Impedance	200 k			$\Omega$	Required RX D+ as well as D- DC Impedance when the Receiver terminations do not have power. See Note 6.
$V_{RX-IDLE-DET-DIFFp-p}$	Electrical Idle Detect Threshold	65		175	mV	$V_{RX-IDLE-DET-DIFFp-p} = 2 * IV_{RX-D+} - V_{RX-D-}$ Measured at the package pins of the Receiver
$T_{RX-IDLE-DET-DIFF-ENTERTIME}$	Unexpected Electrical Idle Enter Detect Threshold Integration Time			10	ms	An unexpected Electrical Idle ( $V_{RX-DIFFp-p} < V_{RX-IDLE-DET-DIFFp-p}$ ) must be recognized no longer than $T_{RX-IDLE-DET-DIFF-ENTERING}$ to signal an unexpected idle condition.

**Table 50. Differential Receiver (RX) Input Specifications (continued)**

Symbol	Parameter	Min	Nom	Max	Units	Comments
L <sub>TX-SKEW</sub>	Total Skew			20	ns	Skew across all lanes on a Link. This includes variation in the length of SKP ordered set (e.g. COM and one to five Symbols) at the RX as well as any delay differences arising from the interconnect itself.

## Notes:

- 1.) No test load is necessarily associated with this value.
- 2.) Specified at the measurement point and measured over any 250 consecutive UIs. The test load in [Figure 52](#) should be used as the RX device when taking measurements (also refer to the Receiver compliance eye diagram shown in [Figure 51](#)). If the clocks to the RX and TX are not derived from the same reference clock, the TX UI recovered from 3500 consecutive UI must be used as a reference for the eye diagram.
- 3.) A  $T_{RX-EYE} = 0.40$  UI provides for a total sum of 0.60 UI deterministic and random jitter budget for the Transmitter and interconnect collected any 250 consecutive UIs. The  $T_{RX-EYE-MEDIAN-to-MAX-JITTER}$  specification ensures a jitter distribution in which the median and the maximum deviation from the median is less than half of the total. UI jitter budget collected over any 250 consecutive TX UIs. It should be noted that the median is not the same as the mean. The jitter median describes the point in time where the number of jitter points on either side is approximately equal as opposed to the averaged time value. If the clocks to the RX and TX are not derived from the same reference clock, the TX UI recovered from 3500 consecutive UI must be used as the reference for the eye diagram.
- 4.) The Receiver input impedance shall result in a differential return loss greater than or equal to 15 dB with the D+ line biased to 300 mV and the D- line biased to -300 mV and a common mode return loss greater than or equal to 6 dB (no bias required) over a frequency range of 50 MHz to 1.25 GHz. This input impedance requirement applies to all valid input levels. The reference impedance for return loss measurements for is 50 ohms to ground for both the D+ and D- line (that is, as measured by a Vector Network Analyzer with 50 ohm probes - see [Figure 52](#)). Note: that the series capacitors  $C_{TX}$  is optional for the return loss measurement.
- 5.) Impedance during all LTSSM states. When transitioning from a Fundamental Reset to Detect (the initial state of the LTSSM) there is a 5 ms transition time before Receiver termination values must be met on all un-configured Lanes of a Port.
- 6.) The RX DC Common Mode Impedance that exists when no power is present or Fundamental Reset is asserted. This helps ensure that the Receiver Detect circuit will not falsely assume a Receiver is powered on when it is not. This term must be measured at 300 mV above the RX ground.
- 7.) It is recommended that the recovered TX UI is calculated using all edges in the 3500 consecutive UI interval with a fit algorithm using a minimization merit function. Least squares and median deviation fits have worked well with experimental and simulated data.

## 14.5 Receiver Compliance Eye Diagrams

The RX eye diagram in [Figure 51](#) is specified using the passive compliance/test measurement load (see [Figure 52](#)) in place of any real PCI Express RX component.

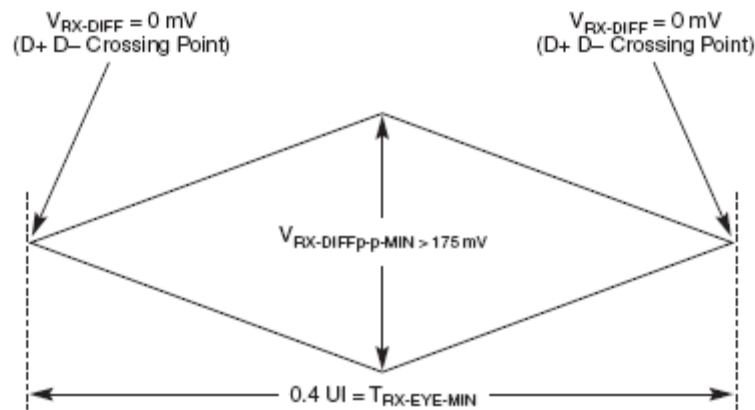
Note: In general, the minimum Receiver eye diagram measured with the compliance/test measurement load (see [Figure 52](#)) will be larger than the minimum Receiver eye diagram measured over a range of systems at the input Receiver of any real PCI Express component. The degraded eye diagram at the input Receiver is due to traces internal to the package as well as silicon parasitic characteristics which cause the real PCI Express component to vary in impedance from the compliance/test measurement load. The input Receiver eye diagram is implementation specific and is not specified. RX component designer should provide additional margin to adequately compensate for the degraded minimum Receiver eye diagram (shown in [Figure 51](#)) expected at the input Receiver based on some adequate combination of system simulations and the Return Loss measured looking into the RX package and silicon. The RX eye diagram must be aligned in time using the jitter median to locate the center of the eye diagram.

The eye diagram must be valid for any 250 consecutive UIs.

A recovered TX UI is calculated over 3500 consecutive unit intervals of sample data. The eye diagram is created using all edges of the 250 consecutive UI in the center of the 3500 UI used for calculating the TX UI.

**NOTE**

The reference impedance for return loss measurements is  $50\Omega$  to ground for both the D+ and D- line (i.e., as measured by a Vector Network Analyzer with  $50\Omega$  probes—see [Figure 52](#)). Note that the series capacitors,  $C_{TX}$ , are optional for the return loss measurement.



**Figure 51. Minimum Receiver Eye Timing and Voltage Compliance Specification**

### 14.5.1 Compliance Test and Measurement Load

The AC timing and voltage parameters must be verified at the measurement point, as specified within 0.2 inches of the package pins, into a test/measurement load shown in [Figure 52](#).

**NOTE**

The allowance of the measurement point to be within 0.2 inches of the package pins is meant to acknowledge that package/board routing may benefit from D+ and D- not being exactly matched in length at the package pin boundary.

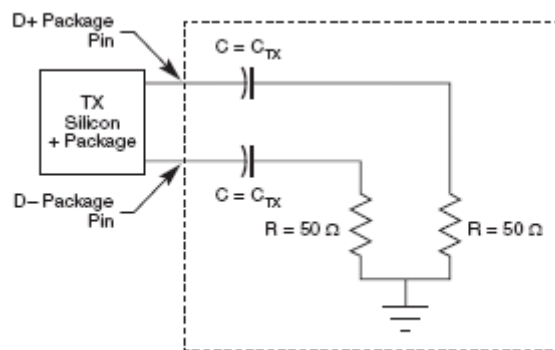


Figure 52. Compliance Test/Measurement Load

## 15 Serial RapidIO

This section describes the DC and AC electrical specifications for the RapidIO interface of the MPC8641, for the LP-Serial physical layer. The electrical specifications cover both single and multiple-lane links. Two transmitter types (short run and long run) on a single receiver are specified for each of three baud rates, 1.25, 2.50, and 3.125 GBaud.

Two transmitter specifications allow for solutions ranging from simple board-to-board interconnect to driving two connectors across a backplane. A single receiver specification is given that will accept signals from both the short run and long run transmitter specifications.

The short run transmitter specifications should be used mainly for chip-to-chip connections on either the same printed circuit board or across a single connector. This covers the case where connections are made to a mezzanine (daughter) card. The minimum swings of the short run specification reduce the overall power used by the transceivers.

The long run transmitter specifications use larger voltage swings that are capable of driving signals across backplanes. This allows a user to drive signals across two connectors and a backplane. The specifications allow a distance of at least 50 cm at all baud rates.

All unit intervals are specified with a tolerance of  $\pm 100$  ppm. The worst case frequency difference between any transmit and receive clock will be 200 ppm.

To ensure interoperability between drivers and receivers of different vendors and technologies, AC coupling at the receiver input must be used.

### 15.1 DC Requirements for Serial RapidIO SD<sub>n</sub>\_REF\_CLK and SD<sub>n</sub>\_REF\_CLK

For more information, see [Section 13.2, “SerDes Reference Clocks.”](#)

## 15.2 AC Requirements for Serial RapidIO $SDn\_REF\_CLK$ and $SDn\_REF\_CLK$

Table 51 lists AC requirements.

Table 51.  $SDn\_REF\_CLK$  and  $SDn\_REF\_CLK$  AC Requirements

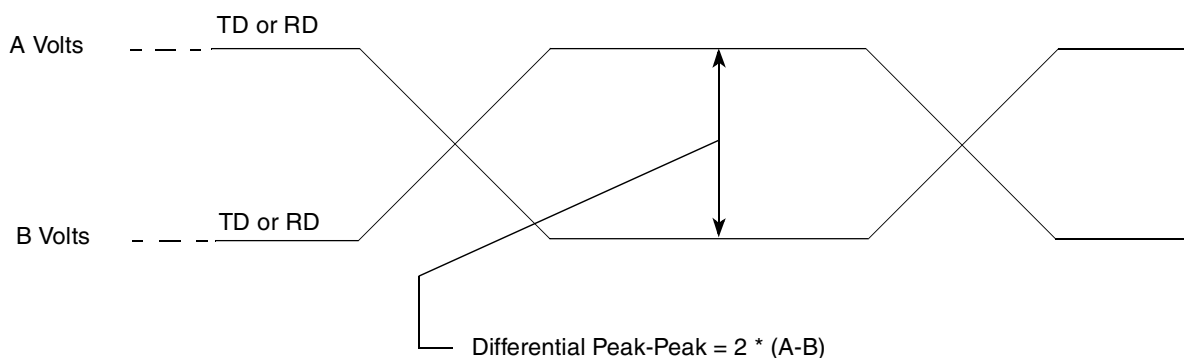
Symbol	Parameter Description	Min	Typical	Max	Units	Comments
$t_{REF}$	REFCLK cycle time	—	10(8)	—	ns	8 ns applies only to serial RapidIO with 125-MHz reference clock
$t_{REFCJ}$	REFCLK cycle-to-cycle jitter. Difference in the period of any two adjacent REFCLK cycles	—	—	80	ps	—
$t_{REFPJ}$	Phase jitter. Deviation in edge location with respect to mean edge location	-40	—	40	ps	

## 15.3 Signal Definitions

LP-Serial links use differential signaling. This section defines terms used in the description and specification of differential signals. Figure 53 shows how the signals are defined. The figures show waveforms for either a transmitter output (TD and  $\overline{TD}$ ) or a receiver input (RD and  $\overline{RD}$ ). Each signal swings between A Volts and B Volts where  $A > B$ . Using these waveforms, the definitions are as follows:

8. The transmitter output signals and the receiver input signals TD,  $\overline{TD}$ , RD and  $\overline{RD}$  each have a peak-to-peak swing of  $A - B$  Volts
9. The differential output signal of the transmitter,  $V_{OD}$ , is defined as  $V_{TD} - V_{\overline{TD}}$
10. The differential input signal of the receiver,  $V_{ID}$ , is defined as  $V_{RD} - V_{\overline{RD}}$
11. The differential output signal of the transmitter and the differential input signal of the receiver each range from  $A - B$  to  $-(A - B)$  Volts
12. The peak value of the differential transmitter output signal and the differential receiver input signal is  $A - B$  Volts
13. The peak-to-peak value of the differential transmitter output signal and the differential receiver input signal is  $2 * (A - B)$  Volts





**Figure 53. Differential Peak-Peak Voltage of Transmitter or Receiver**

To illustrate these definitions using real values, consider the case of a CML (Current Mode Logic) transmitter that has a common mode voltage of 2.25 V and each of its outputs, TD and  $\overline{\text{TD}}$ , has a swing that goes between 2.5V and 2.0V. Using these values, the peak-to-peak voltage swing of the signals TD and  $\overline{\text{TD}}$  is 500 mV p-p. The differential output signal ranges between 500 mV and -500 mV. The peak differential voltage is 500 mV. The peak-to-peak differential voltage is 1000 mV p-p.

## 15.4 Equalization

With the use of high speed serial links, the interconnect media will cause degradation of the signal at the receiver. Effects such as Inter-Symbol Interference (ISI) or data dependent jitter are produced. This loss can be large enough to degrade the eye opening at the receiver beyond what is allowed in the specification. To negate a portion of these effects, equalization can be used. The most common equalization techniques that can be used are:

- A passive high pass filter network placed at the receiver. This is often referred to as passive equalization.
- The use of active circuits in the receiver. This is often referred to as adaptive equalization.

## 15.5 Explanatory Note on Transmitter and Receiver Specifications

AC electrical specifications are given for transmitter and receiver. Long run and short run interfaces at three baud rates (a total of six cases) are described.

The parameters for the AC electrical specifications are guided by the XAUI electrical interface specified in Clause 47 of IEEE 802.3ae-2002.

XAUI has similar application goals to serial RapidIO, as described in Section 8.1. The goal of this standard is that electrical designs for serial RapidIO can reuse electrical designs for XAUI, suitably modified for applications at the baud intervals and reaches described herein.

## 15.6 Transmitter Specifications

LP-Serial transmitter electrical and timing specifications are stated in the text and tables of this section.

The differential return loss,  $S_{11}$ , of the transmitter in each case shall be better than

- $-10$  dB for  $(\text{Baud Frequency})/10 < \text{Freq}(f) < 625$  MHz, and
- $-10$  dB +  $10\log(f/625 \text{ MHz})$  dB for  $625 \text{ MHz} \leq \text{Freq}(f) \leq \text{Baud Frequency}$

The reference impedance for the differential return loss measurements is 100 Ohm resistive. Differential return loss includes contributions from on-chip circuitry, chip packaging and any off-chip components related to the driver. The output impedance requirement applies to all valid output levels.

It is recommended that the 20%-80% rise/fall time of the transmitter, as measured at the transmitter output, in each case have a minimum value 60 ps.

It is recommended that the timing skew at the output of an LP-Serial transmitter between the two signals that comprise a differential pair not exceed 25 ps at 1.25 GB, 20 ps at 2.50 GB and 15 ps at 3.125 GB.

**Table 52. Short Run Transmitter AC Timing Specifications—1.25 GBaud**

Characteristic	Symbol	Range		Unit	Notes
		Min	Max		
Output Voltage,	$V_O$	-0.40	2.30	Volts	Voltage relative to COMMON of either signal comprising a differential pair
Differential Output Voltage	$V_{DIFFPP}$	500	1000	mV p-p	
Deterministic Jitter	$J_D$		0.17	UI p-p	
Total Jitter	$J_T$		0.35	UI p-p	
Multiple output skew	$S_{MO}$		1000	ps	Skew at the transmitter output between lanes of a multilane link
Unit Interval	UI	800	800	ps	+/- 100 ppm

**Table 53. Short Run Transmitter AC Timing Specifications—2.5 GBaud**

Characteristic	Symbol	Range		Unit	Notes
		Min	Max		
Output Voltage,	$V_O$	-0.40	2.30	Volts	Voltage relative to COMMON of either signal comprising a differential pair
Differential Output Voltage	$V_{DIFFPP}$	500	1000	mV p-p	
Deterministic Jitter	$J_D$		0.17	UI p-p	
Total Jitter	$J_T$		0.35	UI p-p	
Multiple Output skew	$S_{MO}$		1000	ps	Skew at the transmitter output between lanes of a multilane link
Unit Interval	UI	400	400	ps	+/- 100 ppm

**Table 54. Short Run Transmitter AC Timing Specifications—3.125 GBaud**

Characteristic	Symbol	Range		Unit	Notes
		Min	Max		
Output Voltage,	$V_O$	-0.40	2.30	Volts	Voltage relative to COMMON of either signal comprising a differential pair
Differential Output Voltage	$V_{DIFFPP}$	500	1000	mV p-p	
Deterministic Jitter	$J_D$		0.17	UI p-p	
Total Jitter	$J_T$		0.35	UI p-p	

Table 54. Short Run Transmitter AC Timing Specifications—3.125 GBaud (continued)

Characteristic	Symbol	Range		Unit	Notes
		Min	Max		
Multiple output skew	$S_{MO}$		1000	ps	Skew at the transmitter output between lanes of a multilane link
Unit Interval	UI	320	320	ps	+/- 100 ppm

Table 55. Long Run Transmitter AC Timing Specifications—1.25 GBaud

Characteristic	Symbol	Range		Unit	Notes
		Min	Max		
Output Voltage,	$V_O$	-0.40	2.30	Volts	Voltage relative to COMMON of either signal comprising a differential pair
Differential Output Voltage	$V_{DIFFPP}$	800	1600	mV p-p	
Deterministic Jitter	$J_D$		0.17	UI p-p	
Total Jitter	$J_T$		0.35	UI p-p	
Multiple output skew	$S_{MO}$		1000	ps	Skew at the transmitter output between lanes of a multilane link
Unit Interval	UI	800	800	ps	+/- 100 ppm

Table 56. Long Run Transmitter AC Timing Specifications—2.5 GBaud

Characteristic	Symbol	Range		Unit	Notes
		Min	Max		
Output Voltage,	$V_O$	-0.40	2.30	Volts	Voltage relative to COMMON of either signal comprising a differential pair
Differential Output Voltage	$V_{DIFFPP}$	800	1600	mV p-p	
Deterministic Jitter	$J_D$		0.17	UI p-p	
Total Jitter	$J_T$		0.35	UI p-p	
Multiple output skew	$S_{MO}$		1000	ps	Skew at the transmitter output between lanes of a multilane link
Unit Interval	UI	400	400	ps	+/- 100 ppm

Table 57. Long Run Transmitter AC Timing Specifications—3.125 GBaud

Characteristic	Symbol	Range		Unit	Notes
		Min	Max		
Output Voltage,	$V_O$	-0.40	2.30	Volts	Voltage relative to COMMON of either signal comprising a differential pair
Differential Output Voltage	$V_{DIFFPP}$	800	1600	mV p-p	
Deterministic Jitter	$J_D$		0.17	UI p-p	
Total Jitter	$J_T$		0.35	UI p-p	
Multiple output skew	$S_{MO}$		1000	ps	Skew at the transmitter output between lanes of a multilane link
Unit Interval	UI	320	320	ps	+/- 100 ppm

For each baud rate at which an LP-Serial transmitter is specified to operate, the output eye pattern of the transmitter shall fall entirely within the unshaded portion of the Transmitter Output Compliance Mask shown in Figure 54 with the parameters specified in Table 58 when measured at the output pins of the device and the device is driving a 100 Ohm +/-5% differential resistive load. The output eye pattern of an LP-Serial transmitter that implements pre-emphasis (to equalize the link and reduce inter-symbol interference) need only comply with the Transmitter Output Compliance Mask when pre-emphasis is disabled or minimized.

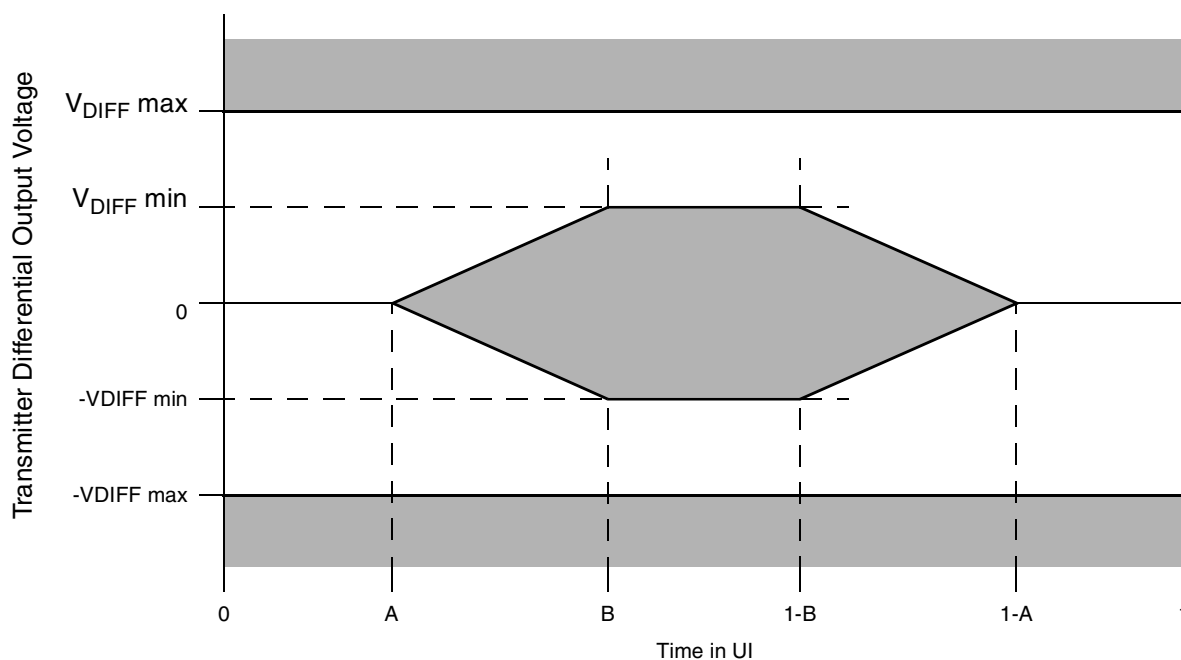


Figure 54. Transmitter Output Compliance Mask

**Table 58. Transmitter Differential Output Eye Diagram Parameters**

Transmitter Type	V <sub>DIFFmin</sub> (mV)	V <sub>DIFFmax</sub> (mV)	A (UI)	B (UI)
1.25 GBaud short range	250	500	0.175	0.39
1.25 GBaud long range	400	800	0.175	0.39
2.5 GBaud short range	250	500	0.175	0.39
2.5 GBaud long range	400	800	0.175	0.39
3.125 GBaud short range	250	500	0.175	0.39
3.125 GBaud long range	400	800	0.175	0.39

## 15.7 Receiver Specifications

LP-Serial receiver electrical and timing specifications are stated in the text and tables of this section.

Receiver input impedance shall result in a differential return loss better than 10 dB and a common mode return loss better than 6 dB from 100 MHz to  $(0.8) \times (\text{Baud Frequency})$ . This includes contributions from on-chip circuitry, the chip package and any off-chip components related to the receiver. AC coupling components are included in this requirement. The reference impedance for return loss measurements is 100 Ohm resistive for differential return loss and 25 Ohm resistive for common mode.

**Table 59. Receiver AC Timing Specifications—1.25 GBaud**

Characteristic	Symbol	Range		Unit	Notes
		Min	Max		
Differential Input Voltage	V <sub>IN</sub>	200	1600	mV p-p	Measured at receiver
Deterministic Jitter Tolerance	J <sub>D</sub>	0.37		UI p-p	Measured at receiver
Combined Deterministic and Random Jitter Tolerance	J <sub>DR</sub>	0.55		UI p-p	Measured at receiver
Total Jitter Tolerance <sup>1</sup>	J <sub>T</sub>	0.65		UI p-p	Measured at receiver
Multiple Input Skew	S <sub>MI</sub>		24	ns	Skew at the receiver input between lanes of a multilane link
Bit Error Rate	BER		10 <sup>-12</sup>		
Unit Interval	UI	800	800	ps	+/- 100 ppm

**Note:**

- Total jitter is composed of three components, deterministic jitter, random jitter and single frequency sinusoidal jitter. The sinusoidal jitter may have any amplitude and frequency in the unshaded region of [Figure 55](#). The sinusoidal jitter component is included to ensure margin for low frequency jitter, wander, noise, crosstalk and other variable system effects.

Table 60. Receiver AC Timing Specifications—2.5 GBaud

Characteristic	Symbol	Range		Unit	Notes
		Min	Max		
Differential Input Voltage	$V_{IN}$	200	1600	mV p-p	Measured at receiver
Deterministic Jitter Tolerance	$J_D$	0.37		UI p-p	Measured at receiver
Combined Deterministic and Random Jitter Tolerance	$J_{DR}$	0.55		UI p-p	Measured at receiver
Total Jitter Tolerance <sup>1</sup>	$J_T$	0.65		UI p-p	Measured at receiver
Multiple Input Skew	$S_{MI}$		24	ns	Skew at the receiver input between lanes of a multilane link
Bit Error Rate	BER		$10^{-12}$		
Unit Interval	UI	400	400	ps	+/- 100 ppm
<b>Note:</b>					
1. Total jitter is composed of three components, deterministic jitter, random jitter and single frequency sinusoidal jitter. The sinusoidal jitter may have any amplitude and frequency in the unshaded region of <a href="#">Figure 55</a> . The sinusoidal jitter component is included to ensure margin for low frequency jitter, wander, noise, crosstalk and other variable system effects.					

Table 61. Receiver AC Timing Specifications—3.125 GBaud

Characteristic	Symbol	Range		Unit	Notes
		Min	Max		
Differential Input Voltage	$V_{IN}$	200	1600	mV p-p	Measured at receiver
Deterministic Jitter Tolerance	$J_D$	0.37		UI p-p	Measured at receiver
Combined Deterministic and Random Jitter Tolerance	$J_{DR}$	0.55		UI p-p	Measured at receiver
Total Jitter Tolerance <sup>1</sup>	$J_T$	0.65		UI p-p	Measured at receiver
Multiple Input Skew	$S_{MI}$		22	ns	Skew at the receiver input between lanes of a multilane link
Bit Error Rate	BER		$10^{-12}$		
Unit Interval	UI	320	320	ps	+/- 100 ppm
<b>Note:</b>					
1. Total jitter is composed of three components, deterministic jitter, random jitter and single frequency sinusoidal jitter. The sinusoidal jitter may have any amplitude and frequency in the unshaded region of <a href="#">Figure 55</a> . The sinusoidal jitter component is included to ensure margin for low frequency jitter, wander, noise, crosstalk and other variable system effects.					

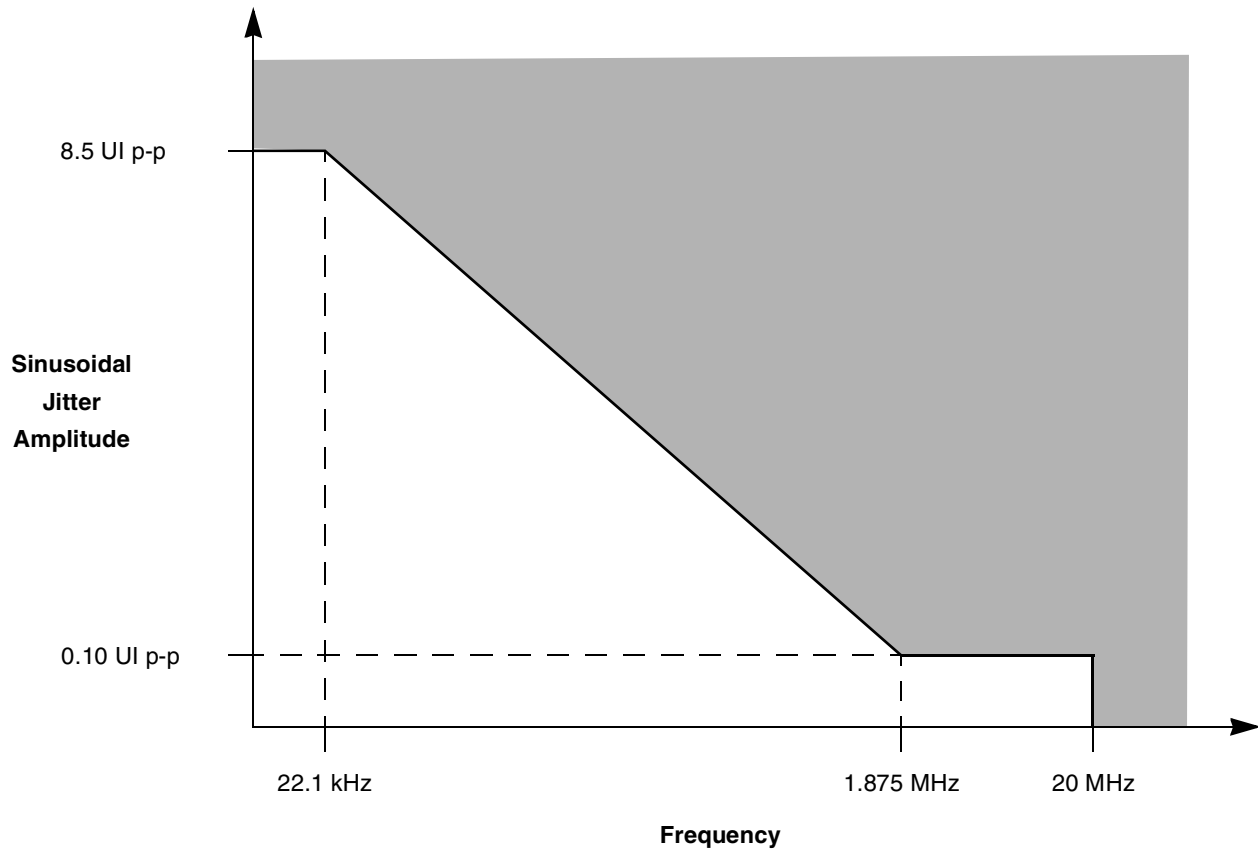


Figure 55. Single Frequency Sinusoidal Jitter Limits

## 15.8 Receiver Eye Diagrams

For each baud rate at which an LP-Serial receiver is specified to operate, the receiver shall meet the corresponding Bit Error Rate specification (Table 59, Table 60, Table 61) when the eye pattern of the receiver test signal (exclusive of sinusoidal jitter) falls entirely within the unshaded portion of the Receiver Input Compliance Mask shown in Figure 56 with the parameters specified in Table 62. The eye pattern of the receiver test signal is measured at the input pins of the receiving device with the device replaced with a 100 Ohm  $\pm$  5% differential resistive load.



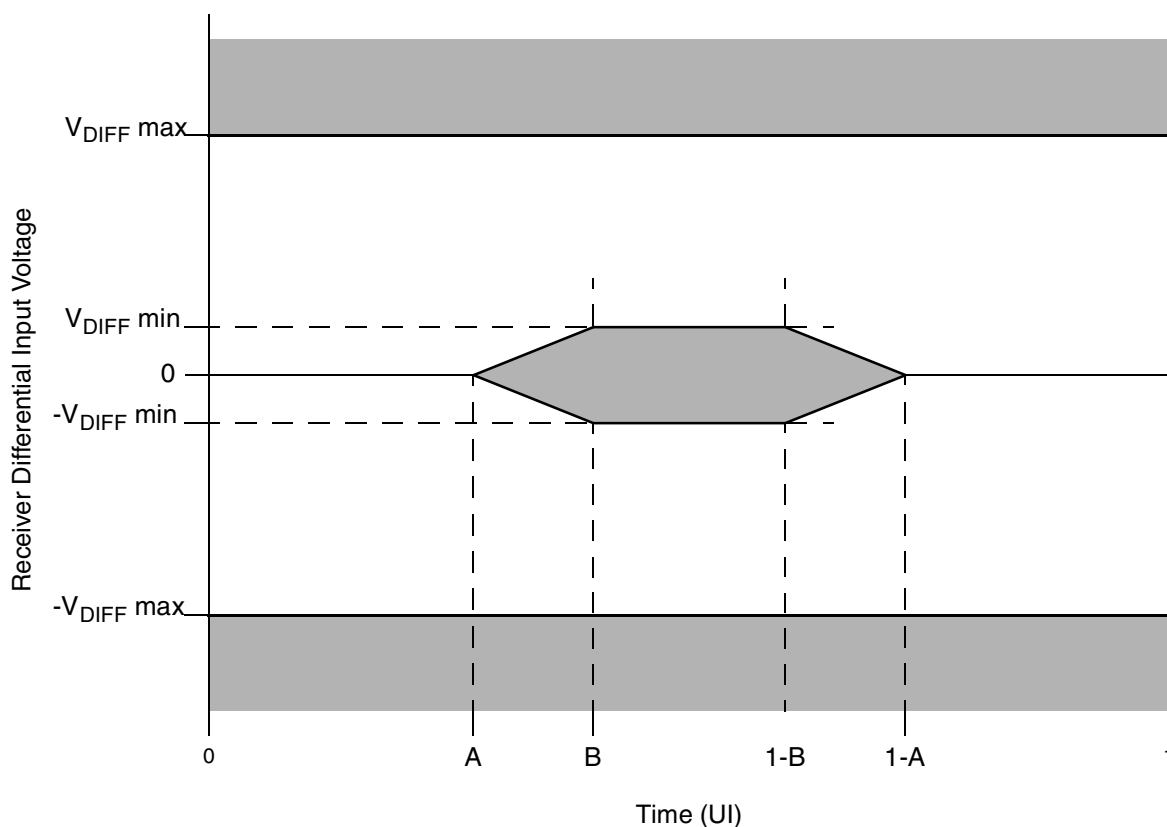


Figure 56. Receiver Input Compliance Mask

Table 62. Receiver Input Compliance Mask Parameters Exclusive of Sinusoidal Jitter

Receiver Type	$V_{DIFF\ min}$ (mV)	$V_{DIFF\ max}$ (mV)	A (UI)	B (UI)
1.25 GBaud	100	800	0.275	0.400
2.5 GBaud	100	800	0.275	0.400
3.125 GBaud	100	800	0.275	0.400

## 15.9 Measurement and Test Requirements

Since the LP-Serial electrical specifications are guided by the XAUI electrical interface specified in Clause 47 of IEEE 802.3ae-2002, the measurement and test requirements defined here are similarly guided by Clause 47. In addition, the CJPAT test pattern defined in Annex 48A of IEEE802.3ae-2002 is specified as the test pattern for use in eye pattern and jitter measurements. Annex 48B of IEEE802.3ae-2002 is recommended as a reference for additional information on jitter test methods.

## 15.9.1 Eye Template Measurements

For the purpose of eye template measurements, the effects of a single-pole high pass filter with a 3 dB point at (Baud Frequency)/1667 is applied to the jitter. The data pattern for template measurements is the Continuous Jitter Test Pattern (CJPAT) defined in Annex 48A of IEEE802.3ae. All lanes of the LP-Serial link shall be active in both the transmit and receive directions, and opposite ends of the links shall use asynchronous clocks. Four lane implementations shall use CJPAT as defined in Annex 48A. Single lane implementations shall use the CJPAT sequence specified in Annex 48A for transmission on lane 0. The amount of data represented in the eye shall be adequate to ensure that the bit error ratio is less than  $10^{-12}$ . The eye pattern shall be measured with AC coupling and the compliance template centered at 0 Volts differential. The left and right edges of the template shall be aligned with the mean zero crossing points of the measured data eye. The load for this test shall be 100 Ohms resistive  $\pm$  5% differential to 2.5 GHz.

## 15.9.2 Jitter Test Measurements

For the purpose of jitter measurement, the effects of a single-pole high pass filter with a 3 dB point at (Baud Frequency)/1667 is applied to the jitter. The data pattern for jitter measurements is the Continuous Jitter Test Pattern (CJPAT) pattern defined in Annex 48A of IEEE802.3ae. All lanes of the LP-Serial link shall be active in both the transmit and receive directions, and opposite ends of the links shall use asynchronous clocks. Four lane implementations shall use CJPAT as defined in Annex 48A. Single lane implementations shall use the CJPAT sequence specified in Annex 48A for transmission on lane 0. Jitter shall be measured with AC coupling and at 0 Volts differential. Jitter measurement for the transmitter (or for calibration of a jitter tolerance setup) shall be performed with a test procedure resulting in a BER curve such as that described in Annex 48B of IEEE802.3ae.

## 15.9.3 Transmit Jitter

Transmit jitter is measured at the driver output when terminated into a load of 100 Ohms resistive  $\pm$  5% differential to 2.5 GHz.

## 15.9.4 Jitter Tolerance

Jitter tolerance is measured at the receiver using a jitter tolerance test signal. This signal is obtained by first producing the sum of deterministic and random jitter defined in Section 8.6 and then adjusting the signal amplitude until the data eye contacts the 6 points of the minimum eye opening of the receive template shown in Figure 8-4 and Table 8-11. Note that for this to occur, the test signal must have vertical waveform symmetry about the average value and have horizontal symmetry (including jitter) about the mean zero crossing. Eye template measurement requirements are as defined above. Random jitter is calibrated using a high pass filter with a low frequency corner at 20 MHz and a 20 dB/decade roll-off below this. The required sinusoidal jitter specified in Section 8.6 is then added to the signal and the test load is replaced by the receiver being tested.

## 16 Package

This section details package parameters and dimensions.

### 16.1 Package Parameters for the MPC8641

The package parameters are as provided in the following list. The package type is 33 mm x 33 mm, 1023 pins. There are two package options: high-lead Flip Chip-Ceramic Ball Grid Array (FC-CBGA), and lead-free (FC-CBGA).

For all package types:

Die size	12.1 mm x 14.7 mm
Package outline	33 mm x 33 mm
Interconnects	1023
Pitch	1 mm
Total Capacitor count	43 caps; 100 nF each

For high-lead FC-CBGA (package option: HCTE<sup>1</sup> HX)

Maximum module height	2.97 mm
Minimum module height	2.47 mm
Solder Balls	89.5% Pb 10.5% Sn
Ball diameter (typical <sup>2</sup> )	0.60 mm

For RoHS lead-free FC-CBGA (package option: HCTE<sup>1</sup> VU)

Maximum module height	2.77 mm
Minimum module height	2.27 mm
Solder Balls	95.5% Sn 4.0% Ag 0.5% Cu
Ball diameter (typical <sup>2</sup> )	0.60 mm

<sup>1</sup> High-coefficient of thermal expansion

<sup>2</sup> Typical ball diameter is before reflow

## 16.2 Mechanical Dimensions of the MPC8641 FC-CBGA

The mechanical dimensions and bottom surface nomenclature of the MPC8641D (dual core) and MPC8641 (single core) high-lead FC-CBGA (package option: HCTE HX) and lead-free FC-CBGA (package option: HCTE VU) are shown respectfully in Figure 57 and Figure 58.

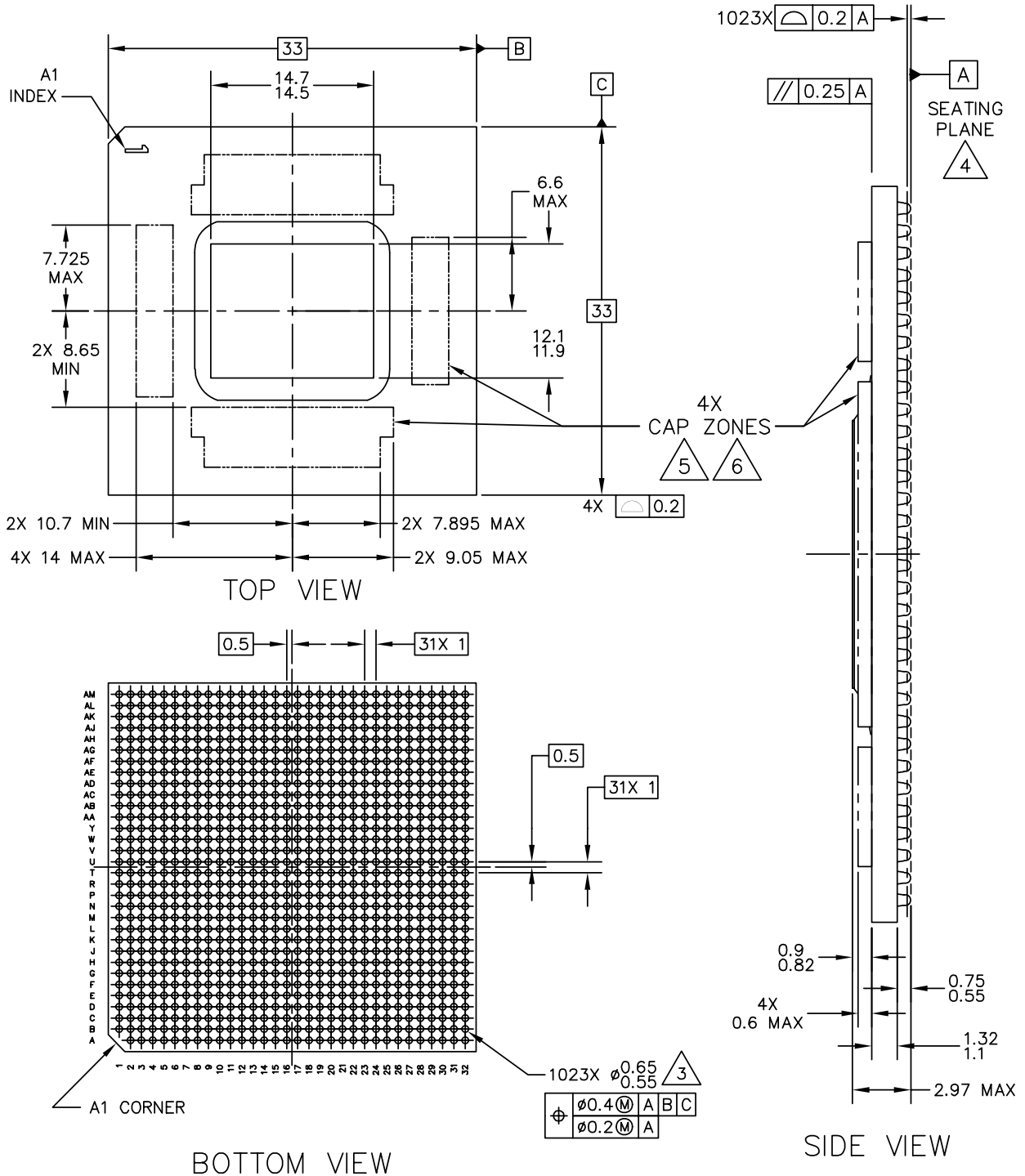


Figure 57. MPC8641D High-Head FC-CBGA Dimensions

**NOTES for Figure 57**

1. All dimensions are in millimeters.
2. Dimensions and tolerances per ASME Y14.5M-1994.
3. Maximum solder ball diameter measured parallel to datum A.
4. Datum A, the seating plane, is defined by the spherical crowns of the solder balls.
5. Capacitors may not be present on all devices.
6. Caution must be taken not to short capacitors or expose metal capacitor pads on package top.
7. All dimensions symmetrical about centerlines unless otherwise specified.
8. Note that for MPC8641 (single core) the solder balls for the following signals/pins are not populated in the package: VDD\_Core1 (R16, R18, R20, T17, T19, T21, T23, U16, U18, U22, V17, V19, V21, V23, W16, W18, W20, W22, Y17, Y19, Y21, Y23, AA16, AA18, AA20, AA22, AB23, AC24) and SENSEVDD\_Core1 (U20).

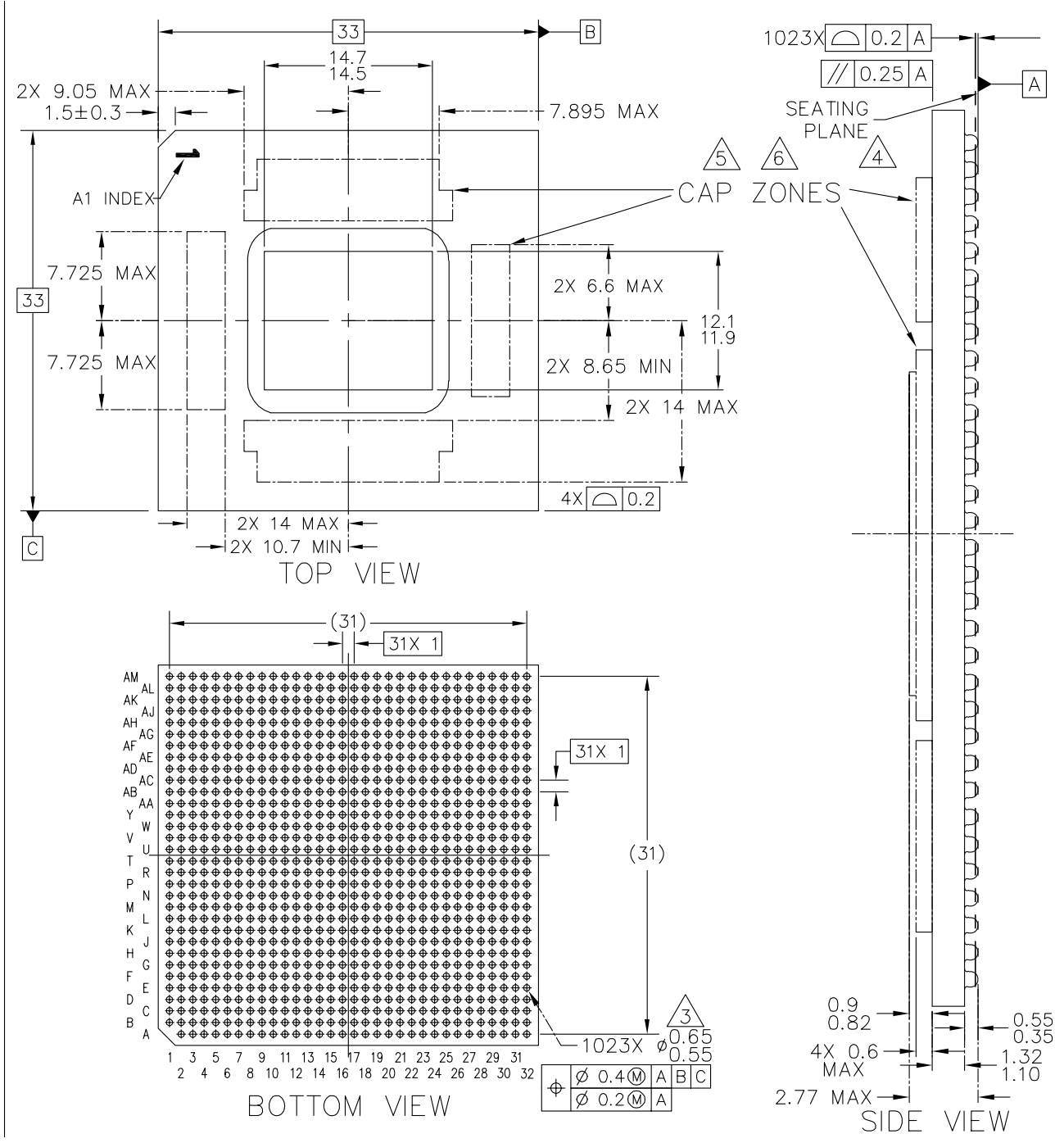


Figure 58. MPC8641D Lead-Free FC-CBGA Dimensions

## NOTES for Figure 58

1. All dimensions are in millimeters.
2. Dimensions and tolerances per ASME Y14.5M-1994.
3. Maximum solder ball diameter measured parallel to datum A.
4. Datum A, the seating plane, is defined by the spherical crowns of the solder balls.
5. Capacitors may not be present on all devices.
6. Caution must be taken not to short capacitors or expose metal capacitor pads on package top.
7. All dimensions symmetrical about centerlines unless otherwise specified.
8. Note that for MPC8641 (single core) the solder balls for the following signals/pins are not populated in the package: VDD\_Core1 (R16, R18, R20, T17, T19, T21, T23, U16, U18, U22, V17, V19, V21, V23, W16, W18, W20, W22, Y17, Y19, Y21, Y23, AA16, AA18, AA20, AA22, AB23, AC24) and SENSEVDD\_Core1 (U20).

## 17 Signal Listings

Table 63 provides the pin assignments for the signals. Notes for the signal changes on the single core device (MPC8641) are italicized and prefixed by “S”.

**Table 63. MPC8641 Signal Reference by Functional Block**

Name <sup>1</sup>	Package Pin Number	Pin Type	Power Supply	Notes
<b>DDR Memory Interface 1 Signals<sup>2,3</sup></b>				
D1_MDQ[0:63]	D15, A14, B12, D12, A15, B15, B13, C13, C11, D11, D9, A8, A12, A11, A9, B9, F11, G12, K11, K12, E10, E9, J11, J10, G8, H10, L9, L7, F10, G9, K9, K8, AC6, AC7, AG8, AH9, AB6, AB8, AE9, AF9, AL8, AM8, AM10, AK11, AH8, AK8, AJ10, AK10, AL12, AJ12, AL14, AM14, AL11, AM11, AM13, AK14, AM15, AJ16, AK18, AL18, AJ15, AL15, AL17, AM17	I/O	D1_GV <sub>DD</sub>	
D1_MECC[0:7]	M8, M7, R8, T10, L11, L10, P9, R10	I/O	D1_GV <sub>DD</sub>	
D1_MDM[0:8]	C14, A10, G11, H9, AD7, AJ9, AM12, AK16, N10	O	D1_GV <sub>DD</sub>	
D1_MDQS[0:8]	A13, C10, H12, J7, AE8, AM9, AK13, AK17, N9	I/O	D1_GV <sub>DD</sub>	
$\overline{D1\_MDQS}$ [0:8]	D14, B10, H13, J8, AD8, AL9, AJ13, AM16, P10	I/O	D1_GV <sub>DD</sub>	
D1_MBA[0:2]	AA8, AA10, T9	O	D1_GV <sub>DD</sub>	
D1_MA[0:15]	Y10, W8, W9, V7, V8, U6, V10, U9, U7, U10, Y9, T6, T8, AE12, R7, P6	O	D1_GV <sub>DD</sub>	
$\overline{D1\_MWE}$	AB11	O	D1_GV <sub>DD</sub>	
$\overline{D1\_MRAS}$	AB12	O	D1_GV <sub>DD</sub>	

Table 63. MPC8641 Signal Reference by Functional Block (continued)

Name <sup>1</sup>	Package Pin Number	Pin Type	Power Supply	Notes
$\overline{D1\_MCAS}$	AC10	O	D1_GV <sub>DD</sub>	
$\overline{D1\_MCS}[0:3]$	AB9, AD10, AC12, AD11	O	D1_GV <sub>DD</sub>	
D1_MCKE[0:3]	P7, M10, N8, M11	O	D1_GV <sub>DD</sub>	23
D1_MCK[0:5]	W6, E13, AH11, Y7, F14, AG10	O	D1_GV <sub>DD</sub>	
$\overline{D1\_MCK}[0:5]$	Y6, E12, AH12, AA7, F13, AG11	O	D1_GV <sub>DD</sub>	
D1_MODT[0:3]	AC9, AF12, AE11, AF10	O	D1_GV <sub>DD</sub>	
D1_MDIC[0:1]	E15, G14	IO	D1_GV <sub>DD</sub>	27
D1_MV <sub>REF</sub>	AM18	DDR Port 1 reference voltage	D1_GV <sub>DD</sub> / 2	3
<b>DDR Memory Interface 2 Signals<sup>2,3</sup></b>				
D2_MDQ[0:63]	A7, B7, C5, D5, C8, D8, D6, A5, C4, A3, D3, D2, A4, B4, C2, C1, E3, E1, H4, G1, D1, E4, G3, G2, J4, J2, L1, L3, H3, H1, K1, L4, AA4, AA2, AD1, AD2, Y1, AA1, AC1, AC3, AD5, AE1, AG1, AG2, AC4, AD4, AF3, AF4, AH3, AJ1, AM1, AM3, AH1, AH2, AL2, AL3, AK5, AL5, AK7, AM7, AK4, AM4, AM6, AJ7	I/O	D2_GV <sub>DD</sub>	
D2_MECC[0:7]	H6, J5, M5, M4, G6, H7, M2, M1	I/O	D2_GV <sub>DD</sub>	
D2_MDM[0:8]	C7, B3, F4, J1, AB1, AE2, AK1, AM5, K6	O	D2_GV <sub>DD</sub>	
D2_MDQS[0:8]	B6, B1, F1, K2, AB3, AF1, AL1, AL6, L6	I/O	D2_GV <sub>DD</sub>	
$\overline{D2\_MDQS}[0:8]$	A6, A2, F2, K3, AB2, AE3, AK2, AJ6, K5	I/O	D2_GV <sub>DD</sub>	
D2_MBA[0:2]	W5, V5, P3	O	D2_GV <sub>DD</sub>	
D2_MA[0:15]	W1, U4, U3, T1, T2, T3, T5, R2, R1, R5, V4, R4, P1, AH5, P4, N1	O	D2_GV <sub>DD</sub>	
$\overline{D2\_MWE}$	Y4	O	D2_GV <sub>DD</sub>	
$\overline{D2\_MRAS}$	W3	O	D2_GV <sub>DD</sub>	
$\overline{D2\_MCAS}$	AB5	O	D2_GV <sub>DD</sub>	
$\overline{D2\_MCS}[0:3]$	Y3, AF6, AA5, AF7	O	D2_GV <sub>DD</sub>	
D2_MCKE[0:3]	N6, N5, N2, N3	O	D2_GV <sub>DD</sub>	23
D2_MCK[0:5]	U1, F5, AJ3, V2, E7, AG4	O	D2_GV <sub>DD</sub>	



Table 63. MPC8641 Signal Reference by Functional Block (continued)

Name <sup>1</sup>	Package Pin Number	Pin Type	Power Supply	Notes
$\overline{D2\_MCK}[0:5]$	V1, G5, AJ4, W2, E6, AG5	O	D2_GV <sub>DD</sub>	
D2_MODT[0:3]	AE6, AG7, AE5, AH6	O	D2_GV <sub>DD</sub>	
D2_MDIC[0:1]	F8, F7	IO	D2_GV <sub>DD</sub>	27
D2_MV <sub>REF</sub>	A18	DDR Port 2 reference voltage	D2_GV <sub>DD</sub> / 2	3
<b>High Speed I/O Interface 1 (SERDES 1)<sup>4</sup></b>				
SD1_TX[0:7]	L26, M24, N26, P24, R26, T24, U26, V24	O	SV <sub>DD</sub>	
$\overline{SD1\_TX}[0:7]$	L27, M25, N27, P25, R27, T25, U27, V25	O	SV <sub>DD</sub>	
SD1_RX[0:7]	J32, K30, L32, M30, T30, U32, V30, W32	I	SV <sub>DD</sub>	
$\overline{SD1\_RX}[0:7]$	J31, K29, L31, M29, T29, U31, V29, W31	I	SV <sub>DD</sub>	
SD1_REF_CLK	N32	I	SV <sub>DD</sub>	
$\overline{SD1\_REF\_CLK}$	N31	I	SV <sub>DD</sub>	
SD1_IMP_CAL_TX	Y26	Analog	SV <sub>DD</sub>	19
SD1_IMP_CAL_RX	J28	Analog	SV <sub>DD</sub>	30
SD1_PLL_TPD	U28	O	SV <sub>DD</sub>	13, 17
SD1_PLL_TPA	T28	Analog	SV <sub>DD</sub>	13, 18
SD1_DLL_TPD	N28	O	SV <sub>DD</sub>	13, 17
SD1_DLL_TPA	P31	Analog	SV <sub>DD</sub>	13, 18
<b>High Speed I/O Interface 2 (SERDES 2)<sup>4</sup></b>				
SD2_TX[0:3]	Y24, AA27, AB25, AC27	O	SV <sub>DD</sub>	
SD2_TX[4:7]	AE27, AG27, AJ27, AL27	O	SV <sub>DD</sub>	34
$\overline{SD2\_TX}[0:3]$	Y25, AA28, AB26, AC28	O	SV <sub>DD</sub>	
$\overline{SD2\_TX}[4:7]$	AE28, AG28, AJ28, AL28	O	SV <sub>DD</sub>	34
SD2_RX[0:3]	Y30, AA32, AB30, AC32	I	SV <sub>DD</sub>	32
SD2_RX[4:7]	AH30, AJ32, AK30, AL32	I	SV <sub>DD</sub>	32, 35
$\overline{SD2\_RX}[0:3]$	Y29, AA31, AB29, AC31	I	SV <sub>DD</sub>	
$\overline{SD2\_RX}[4:7]$	AH29, AJ31, AK29, AL31	I	SV <sub>DD</sub>	35
SD2_REF_CLK	AE32	I	SV <sub>DD</sub>	

Table 63. MPC8641 Signal Reference by Functional Block (continued)

Name <sup>1</sup>	Package Pin Number	Pin Type	Power Supply	Notes
$\overline{\text{SD2\_REF\_CLK}}$	AE31	I	SV <sub>DD</sub>	
SD2_IMP_CAL_TX	AM29	Analog	SV <sub>DD</sub>	19
SD2_IMP_CAL_RX	AA26	Analog	SV <sub>DD</sub>	30
SD2_PLL_TPD	AF29	O	SV <sub>DD</sub>	13, 17
SD2_PLL_TPA	AF31	Analog	SV <sub>DD</sub>	13, 18
SD2_DLL_TPD	AD29	O	SV <sub>DD</sub>	13, 17
SD2_DLL_TPA	AD30	Analog	SV <sub>DD</sub>	13, 18
<b>Special Connection Requirement pins</b>				
No Connects	K24, K25, P28, P29, W26, W27, AD25, AD26	-	-	13
Reserved	H30, R32, V28, AG32	-	-	14
Reserved	H29, R31, W28, AG31	-	-	15
Reserved	AD24, AG26	-	-	16
<b>Ethernet Miscellaneous Signals<sup>5</sup></b>				
EC1_GTX_CLK125	AL23	I	LV <sub>DD</sub>	39
EC2_GTX_CLK125	AM23	I	TV <sub>DD</sub>	39
EC_MDC	G31	O	OV <sub>DD</sub>	
EC_MDIO	G32	I/O	OV <sub>DD</sub>	
<b>eTSEC Port 1 Signals<sup>5</sup></b>				
TSEC1_TXD[0:7]/ GPOUT[0:7]	AF25, AC23, AG24, AG23, AE24, AE23, AE22, AD22	O	LV <sub>DD</sub>	6, 10
TSEC1_TX_EN	AB22	O	LV <sub>DD</sub>	36
TSEC1_TX_ER	AH26	O	LV <sub>DD</sub>	
TSEC1_TX_CLK	AC22	I	LV <sub>DD</sub>	40
TSEC1_GTX_CLK	AH25	O	LV <sub>DD</sub>	41
TSEC1_CRS	AM24	I/O	LV <sub>DD</sub>	37
TSEC1_COL	AM25	I	LV <sub>DD</sub>	
TSEC1_RXD[0:7]/ GPIN[0:7]	AL25, AL24, AK26, AK25, AM26, AF26, AH24, AG25	I	LV <sub>DD</sub>	10
TSEC1_RX_DV	AJ24	I	LV <sub>DD</sub>	
TSEC1_RX_ER	AJ25	I	LV <sub>DD</sub>	
TSEC1_RX_CLK	AK24	I	LV <sub>DD</sub>	40

Table 63. MPC8641 Signal Reference by Functional Block (continued)

Name <sup>1</sup>	Package Pin Number	Pin Type	Power Supply	Notes
<b>eTSEC Port 2 Signals<sup>5</sup></b>				
TSEC2_TXD[0:3]/ GPOUT[8:15]	AB20, AJ23, AJ22, AD19	O	LV <sub>DD</sub>	6, 10
TSEC2_TXD[4]/ GPOUT[12]	AH23	O	LV <sub>DD</sub>	6,10, 38
TSEC2_TXD[5:7]/ GPOUT[13:15]	AH21, AG22, AG21	O	LV <sub>DD</sub>	6, 10
TSEC2_TX_EN	AB21	O	LV <sub>DD</sub>	36
TSEC2_TX_ER	AB19	O	LV <sub>DD</sub>	6, 38
TSEC2_TX_CLK	AC21	I	LV <sub>DD</sub>	40
TSEC2_GTX_CLK	AD20	O	LV <sub>DD</sub>	41
TSEC2_CRS	AE20	I/O	LV <sub>DD</sub>	37
TSEC2_COL	AE21	I	LV <sub>DD</sub>	
TSEC2_RXD[0:7]/ GPIN[8:15]	AL22, AK22, AM21, AH20, AG20, AF20, AF23, AF22	I	LV <sub>DD</sub>	10
TSEC2_RX_DV	AC19	I	LV <sub>DD</sub>	
TSEC2_RX_ER	AD21	I	LV <sub>DD</sub>	
TSEC2_RX_CLK	AM22	I	LV <sub>DD</sub>	40
<b>eTSEC Port 3 Signals<sup>5</sup></b>				
TSEC3_TXD[0:3]	AL21, AJ21, AM20, AJ20	O	TV <sub>DD</sub>	6
TSEC3_TXD[4]/	AM19	O	TV <sub>DD</sub>	
TSEC3_TXD[5:7]	AK21, AL20, AL19	O	TV <sub>DD</sub>	6
TSEC3_TX_EN	AH19	O	TV <sub>DD</sub>	36

Table 63. MPC8641 Signal Reference by Functional Block (continued)

Name <sup>1</sup>	Package Pin Number	Pin Type	Power Supply	Notes
TSEC3_TX_ER	AH17	O	TV <sub>DD</sub>	
TSEC3_TX_CLK	AH18	I	TV <sub>DD</sub>	40
TSEC3_GTX_CLK	AG19	O	TV <sub>DD</sub>	41
TSEC3_CRS	AE15	I/O	TV <sub>DD</sub>	37
TSEC3_COL	AF15	I	TV <sub>DD</sub>	
TSEC3_RXD[0:7]	AJ17, AE16, AH16, AH14, AJ19, AH15, AG16, AE19	I	TV <sub>DD</sub>	
TSEC3_RX_DV	AG15	I	TV <sub>DD</sub>	
TSEC3_RX_ER	AF16	I	TV <sub>DD</sub>	
TSEC3_RX_CLK	AJ18	I	TV <sub>DD</sub>	40
<b>eTSEC Port 4 Signals<sup>5</sup></b>				
TSEC4_TXD[0:3]	AC18, AC16, AD18, AD17	O	TV <sub>DD</sub>	6
TSEC4_TXD[4]	AD16	O	TV <sub>DD</sub>	25
TSEC4_TXD[5:7]	AB18, AB17, AB16	O	TV <sub>DD</sub>	6
TSEC4_TX_EN	AF17	O	TV <sub>DD</sub>	36
TSEC4_TX_ER	AF19	O	TV <sub>DD</sub>	
TSEC4_TX_CLK	AF18	I	TV <sub>DD</sub>	40
TSEC4_GTX_CLK	AG17	O	TV <sub>DD</sub>	41
TSEC4_CRS	AB14	I/O	TV <sub>DD</sub>	37
TSEC4_COL	AC13	I	TV <sub>DD</sub>	
TSEC4_RXD[0:7]	AG14, AD13, AF13, AD14, AE14, AB15, AC14, AE17	I	TV <sub>DD</sub>	
TSEC4_RX_DV	AC15	I	TV <sub>DD</sub>	
TSEC4_RX_ER	AF14	I	TV <sub>DD</sub>	

Table 63. MPC8641 Signal Reference by Functional Block (continued)

Name <sup>1</sup>	Package Pin Number	Pin Type	Power Supply	Notes
TSEC4_RX_CLK	AG13	I	TV <sub>DD</sub>	40
<b>Local Bus Signals<sup>5</sup></b>				
LAD[0:31]	A30, E29, C29, D28, D29, H25, B29, A29, C28, L22, M22, A28, C27, H26, G26, B27, B26, A27, E27, G25, D26, E26, G24, F27, A26, A25, C25, H23, K22, D25, F25, H22	I/O	OV <sub>DD</sub>	6
LDP[0:3]	A24, E24, C24, B24	I/O	OV <sub>DD</sub>	6, 22
LA[27:31]	J21, K21, G22, F24, G21	O	OV <sub>DD</sub>	6, 22
$\overline{\text{LCS}}[0:4]$	A22, C22, D23, E22, A23	O	OV <sub>DD</sub>	7
$\overline{\text{LCS}}[5]/\overline{\text{DMA\_DREQ}}[2]$	B23	O	OV <sub>DD</sub>	7, 9, 10
$\overline{\text{LCS}}[6]/\overline{\text{DMA\_DACK}}[2]$	E23	O	OV <sub>DD</sub>	7, 10
$\overline{\text{LCS}}[7]/\overline{\text{DMA\_DDONE}}[2]$	F23	O	OV <sub>DD</sub>	7, 10
$\overline{\text{LWE}}[0:3]/$ LSDDQM[0:3]/ $\overline{\text{LBS}}[0:3]$	E21, F21, D22, E20	O	OV <sub>DD</sub>	6
LBCTL	D21	O	OV <sub>DD</sub>	
LALE	E19	O	OV <sub>DD</sub>	
LGPL0/LSDA10	F20	O	OV <sub>DD</sub>	25
LGPL1/ $\overline{\text{LSDWE}}$	H20	O	OV <sub>DD</sub>	25
LGPL2/ $\overline{\text{LOE}}/$ $\overline{\text{LSDRAS}}$	J20	O	OV <sub>DD</sub>	
LGPL3/ $\overline{\text{LSDCAS}}$	K20	O	OV <sub>DD</sub>	6
LGPL4/ $\overline{\text{LGT\AA}}$ / LUPWAIT/LPBSE	L21	I/O	OV <sub>DD</sub>	42
LGPL5	J19	O	OV <sub>DD</sub>	6
LCKE	H19	O	OV <sub>DD</sub>	
LCLK[0:2]	G19, L19, M20	O	OV <sub>DD</sub>	
LSYNC_IN	M19	I	OV <sub>DD</sub>	
LSYNC_OUT	D20	O	OV <sub>DD</sub>	

Table 63. MPC8641 Signal Reference by Functional Block (continued)

Name <sup>1</sup>	Package Pin Number	Pin Type	Power Supply	Notes
<b>DMA Signals<sup>5</sup></b>				
$\overline{\text{DMA\_DREQ}}[0:1]$	E31, E32	I	OV <sub>DD</sub>	
$\overline{\text{DMA\_DREQ}}[2]/\overline{\text{LCS}}[5]$	B23	I	OV <sub>DD</sub>	9, 10
$\overline{\text{DMA\_DREQ}}[3]/\overline{\text{IRQ}}[9]$	B30	I	OV <sub>DD</sub>	10
$\overline{\text{DMA\_DACK}}[0:1]$	D32, F30	O	OV <sub>DD</sub>	
$\overline{\text{DMA\_DACK}}[2]/\overline{\text{LCS}}[6]$	E23	O	OV <sub>DD</sub>	10
$\overline{\text{DMA\_DACK}}[3]/\overline{\text{IRQ}}[10]$	C30	O	OV <sub>DD</sub>	9, 10
$\overline{\text{DMA\_DDONE}}[0:1]$	F31, F32	O	OV <sub>DD</sub>	
$\overline{\text{DMA\_DDONE}}[2]/\overline{\text{LCS}}[7]$	F23	O	OV <sub>DD</sub>	10
$\overline{\text{DMA\_DDONE}}[3]/\overline{\text{IRQ}}[11]$	D30	O	OV <sub>DD</sub>	9, 10
<b>Programmable Interrupt Controller Signals<sup>5</sup></b>				
$\overline{\text{MCP\_0}}$	F17	I	OV <sub>DD</sub>	
$\overline{\text{MCP\_1}}$	H17	I	OV <sub>DD</sub>	12, S4
$\overline{\text{IRQ}}[0:8]$	G28, G29, H27, J23, M23, J27, F28, J24, L23	I	OV <sub>DD</sub>	
$\overline{\text{IRQ}}[9]/\overline{\text{DMA\_DREQ}}[3]$	B30	I	OV <sub>DD</sub>	10
$\overline{\text{IRQ}}[10]/\overline{\text{DMA\_DACK}}[3]$	C30	I	OV <sub>DD</sub>	9, 10
$\overline{\text{IRQ}}[11]/\overline{\text{DMA\_DDONE}}[3]$	D30	I	OV <sub>DD</sub>	9, 10
$\overline{\text{IRQ\_OUT}}$	J26	O	OV <sub>DD</sub>	7, 11
<b>DUART Signals<sup>5</sup></b>				
$\overline{\text{UART\_SIN}}[0:1]$	B32, C32	I	OV <sub>DD</sub>	
$\overline{\text{UART\_SOUT}}[0:1]$	D31, A32	O	OV <sub>DD</sub>	
$\overline{\text{UART\_CTS}}[0:1]$	A31, B31	I	OV <sub>DD</sub>	
$\overline{\text{UART\_RTS}}[0:1]$	C31, E30	O	OV <sub>DD</sub>	
<b>I<sup>2</sup>C Signals</b>				

Table 63. MPC8641 Signal Reference by Functional Block (continued)

Name <sup>1</sup>	Package Pin Number	Pin Type	Power Supply	Notes
IIC1_SDA	A16	I/O	OV <sub>DD</sub>	7, 11
IIC1_SCL	B17	I/O	OV <sub>DD</sub>	7, 11
IIC2_SDA	A21	I/O	OV <sub>DD</sub>	7, 11
IIC2_SCL	B21	I/O	OV <sub>DD</sub>	7, 11
<b>System Control Signals<sup>5</sup></b>				
$\overline{\text{HRESET}}$	B18	I	OV <sub>DD</sub>	
$\overline{\text{HRESET\_REQ}}$	K18	O	OV <sub>DD</sub>	
$\overline{\text{SMI\_0}}$	L15	I	OV <sub>DD</sub>	
$\overline{\text{SMI\_1}}$	L16	I	OV <sub>DD</sub>	12, S4
$\overline{\text{SRESET\_0}}$	C20	I	OV <sub>DD</sub>	
$\overline{\text{SRESET\_1}}$	C21	I	OV <sub>DD</sub>	12, S4
$\overline{\text{CKSTP\_IN}}$	L18	I	OV <sub>DD</sub>	
$\overline{\text{CKSTP\_OUT}}$	L17	O	OV <sub>DD</sub>	7, 11
READY/TRIG_OUT	J13	O	OV <sub>DD</sub>	10, 25
<b>Debug Signals<sup>5</sup></b>				
TRIG_IN	J14	I	OV <sub>DD</sub>	
TRIG_OUT/READY	J13	O	OV <sub>DD</sub>	10, 25
D1_MSRCID[0:1]/ LB_SRCID[0:1]	F15, K15	O	OV <sub>DD</sub>	6, 10
D1_MSRCID[2]/ LB_SRCID[2]	K14	O	OV <sub>DD</sub>	10, 25
D1_MSRCID[3:4]/ LB_SRCID[3:4]	H15, G15	O	OV <sub>DD</sub>	10
D2_MSRCID[0:4]	E16, C17, F16, H16, K16	O	OV <sub>DD</sub>	
D1_MDVAL/LB_DVAL	J16	O	OV <sub>DD</sub>	10
D2_MDVAL	D19	O	OV <sub>DD</sub>	
<b>Power Management Signals<sup>5</sup></b>				
ASLEEP	C19	O	OV <sub>DD</sub>	
<b>System Clocking Signals<sup>5</sup></b>				

Table 63. MPC8641 Signal Reference by Functional Block (continued)

Name <sup>1</sup>	Package Pin Number	Pin Type	Power Supply	Notes
SYCLK	G16	I	OV <sub>DD</sub>	
RTC	K17	I	OV <sub>DD</sub>	32
CLK_OUT	B16	O	OV <sub>DD</sub>	23
<b>Test Signals<sup>5</sup></b>				
$\overline{\text{LSSD\_MODE}}$	C18	I	OV <sub>DD</sub>	26
TEST_MODE[0:3]	C16, E17, D18, D16	I	OV <sub>DD</sub>	26
<b>JTAG Signals<sup>5</sup></b>				
TCK	H18	I	OV <sub>DD</sub>	
TDI	J18	I	OV <sub>DD</sub>	24
TDO	G18	O	OV <sub>DD</sub>	23
TMS	F18	I	OV <sub>DD</sub>	24
$\overline{\text{TRST}}$	A17	I	OV <sub>DD</sub>	24
<b>Miscellaneous<sup>5</sup></b>				
Spare	J17	-	-	13
GPOUT[0:7]/ TSEC1_TXD[0:7]	AF25, AC23, AG24, AG23, AE24, AE23, AE22, AD22	O	OV <sub>DD</sub>	6, 10
GPIN[0:7]/ TSEC1_RXD[0:7]	AL25, AL24, AK26, AK25, AM26, AF26, AH24, AG25	I	OV <sub>DD</sub>	10
GPOUT[8:15]/ TSEC2_TXD[0:7]	AB20, AJ23, AJ22, AD19, AH23, AH21, AG22, AG21	O	OV <sub>DD</sub>	10
GPIN[8:15]/ TSEC2_RXD[0:7]	AL22, AK22, AM21, AH20, AG20, AF20, AF23, AF22	I	OV <sub>DD</sub>	10
<b>Additional Analog Signals</b>				
TEMP_ANODE	AA11	Thermal	-	
TEMP_CATHODE	Y11	Thermal	-	
<b>Sense, Power and GND Signals</b>				
SENSEV <sub>DD</sub> _Core0	M14	V <sub>DD</sub> _Core0 sensing pin		31
SENSEV <sub>DD</sub> _Core1	U20	V <sub>DD</sub> _Core1 sensing pin		12,31, S1
SENSEV <sub>SS</sub> _Core0	P14	Core0 GND sensing pin		31
SENSEV <sub>SS</sub> _Core1	V20	Core1 GND sensing pin		12, 31, S3
SENSEV <sub>DD</sub> _PLAT	N18	V <sub>DD</sub> _PLAT sensing pin		28



Table 63. MPC8641 Signal Reference by Functional Block (continued)

Name <sup>1</sup>	Package Pin Number	Pin Type	Power Supply	Notes
SENSEV <sub>SS</sub> _PLAT	P18	Platform GND sensing pin		29
D1_GV <sub>DD</sub>	B11, B14, D10, D13, F9, F12, H8, H11, H14, K10, K13, L8, P8, R6, U8, V6, W10, Y8, AA6, AB10, AC8, AD12, AE10, AF8, AG12, AH10, AJ8, AJ14, AK12, AL10, AL16	SDRAM 1 I/O supply	D1_GV <sub>DD</sub> 2.5 - DDR 1.8 DDR2	
D2_GV <sub>DD</sub>	B2, B5, B8, D4, D7, E2, F6, G4, H2, J6, K4, L2, M6, N4, P2, T4, U2, W4, Y2, AB4, AC2, AD6, AE4, AF2, AG6, AH4, AJ2, AK6, AL4, AM2	SDRAM 2 I/O supply	D2_GV <sub>DD</sub> 2.5 V - DDR 1.8 V - DDR2	
OV <sub>DD</sub>	B22, B25, B28, D17, D24, D27, F19, F22, F26, F29, G17, H21, H24, K19, K23, M21, AM30	DUART, Local Bus, DMA, Multiprocessor Interrupts, System Control & Clocking, Debug, Test, JTAG, Power management, I <sup>2</sup> C, JTAG and Miscellaneous I/O voltage	OV <sub>DD</sub>  3.3 V	
LV <sub>DD</sub>	AC20, AD23, AH22	TSEC1 and TSEC2 I/O voltage	LV <sub>DD</sub> 2.5/3.3 V	
TV <sub>DD</sub>	AC17, AG18, AK20	TSEC3 and TSEC4 I/O voltage	TV <sub>DD</sub> 2.5/3.3 V	
SV <sub>DD</sub>	H31, J29, K28, K32, L30, M28, M31, N29, R30, T31, U29, V32, W30, Y31, AA29, AB32, AC30, AD31, AE29, AG30, AH31, AJ29, AK32, AL30, AM31	Transceiver Power Supply SerDes	SV <sub>DD</sub> 1.05/1.1 V	
XV <sub>DD</sub> _SRDS1	K26, L24, M27, N25, P26, R24, R28, T27, U25, V26	Serial I/O Power Supply for SerDes Port 1	XV <sub>DD</sub> _SRDS1 1.05/1.1 V	
XV <sub>DD</sub> _SRDS2	AA25, AB28, AC26, AD27, AE25, AF28, AH27, AK28, AM27, W24, Y27	Serial I/O Power Supply for SerDes Port 2	XV <sub>DD</sub> _SRDS2 1.05/1.1 V	
V <sub>DD</sub> _Core0	L12, L13, L14, M13, M15, N12, N14, P11, P13, P15, R12, R14, T11, T13, T15, U12, U14, V11, V13, V15, W12, W14, Y12, Y13, Y15, AA12, AA14, AB13	Core 0 voltage supply	V <sub>DD</sub> _Core0  0.95/1.05/1.1 V	

Table 63. MPC8641 Signal Reference by Functional Block (continued)

Name <sup>1</sup>	Package Pin Number	Pin Type	Power Supply	Notes
V <sub>DD</sub> _Core1	R16, R18, R20, T17, T19, T21, T23, U16, U18, U22, V17, V19, V21, V23, W16, W18, W20, W22, Y17, Y19, Y21, Y23, AA16, AA18, AA20, AA22, AB23, AC24	Core 1 voltage supply	V <sub>DD</sub> _Core1 0.95/1.05/1.1 V	12, S1
V <sub>DD</sub> _PLAT	M16, M17, M18, N16, N20, N22, P17, P19, P21, P23, R22	Platform supply voltage	V <sub>DD</sub> _PLAT 1.05/1.1 V	
AV <sub>DD</sub> _Core0	B20	Core 0 PLL Supply	AV <sub>DD</sub> _Core0 0.95/1.05/1.1 V	
AV <sub>DD</sub> _Core1	A19	Core 1 PLL Supply	AV <sub>DD</sub> _Core1 0.95/1.05/1.1 V	12, S2
AV <sub>DD</sub> _PLAT	B19	Platform PLL supply voltage	AV <sub>DD</sub> _PLAT 1.05/1.1 V	
AV <sub>DD</sub> _LB	A20	Local Bus PLL supply voltage	AV <sub>DD</sub> _LB 1.05/1.1 V	
AV <sub>DD</sub> _SRDS1	P32	SerDes Port 1 PLL & DLL Power Supply	AV <sub>DD</sub> _SRDS1 1.05/1.1 V	
AV <sub>DD</sub> _SRDS2	AF32	SerDes Port 2 PLL & DLL Power Supply	AV <sub>DD</sub> _SRDS2 1.05/1.1 V	
GND	C3, C6, C9, C12, C15, C23, C26, E5, E8, E11, E14, E18, E25, E28, F3, G7, G10, G13, G20, G23, G27, G30, H5, J3, J9, J12, J15, J22, J25, K7, L5, L20, M3, M9, M12, N7, N11, N13, N15, N17, N19, N21, N23, P5, P12, P16, P20, P22, R3, R9, R11, R13, R15, R17, R19, R21, R23, T7, T12, T14, T16, T18, T20, T22, U5, U11, U13, U15, U17, U19, U21, U23, V3, V9, V12, V14, V16, V18, V22, W7, W11, W13, W15, W17, W19, W21, W23, Y5, Y14, Y16, Y18, Y20, Y22, AA3, AA9, AA13, AA15, AA17, AA19, AA21, AA23, AB7, AB24, AC5, AC11, AD3, AD9, AD15, AE7, AE13, AE18, AF5, AF11, AF21, AF24, AG3, AG9, AH7, AH13, AJ5, AJ11, AK3, AK9, AK15, AK19, AK23, AL7, AL13	GND	-	
AGND_SRDS1	P30	SerDes Port 1 Ground pin for AV <sub>DD</sub> _SRDS1	-	
AGND_SRDS2	AF30	SerDes Port 2 Ground pin for AV <sub>DD</sub> _SRDS2	-	

Table 63. MPC8641 Signal Reference by Functional Block (continued)

Name <sup>1</sup>	Package Pin Number	Pin Type	Power Supply	Notes
SGND	H28, H32, J30, K31, L28, L29, M32, N30, R29, T32, U30, V31, W29, Y32 AA30, AB31, AC29, AD32, AE30, AG29, AH32, AJ30, AK31, AL29, AM32	Ground pins for SV <sub>DD</sub>		
XGND	K27, L25, M26, N24, P27, R25, T26, U24, V27, W25, Y28, AA24, AB27, AC25, AD28, AE26, AF27, AH28, AJ26, AK27, AL26, AM28	Ground pins for XV <sub>DD</sub> _SRDS <sub>n</sub>		
<b>Reset Configuration Signals<sup>20</sup></b>				
TSEC1_TXD[0] / <u>cfg_alt_boot_vec</u>	AF25	-	LV <sub>DD</sub>	
TSEC1_TXD[1]/ cfg_platform_freq	AC23	-	LV <sub>DD</sub>	21
TSEC1_TXD[2:4]/ cfg_device_id[5:7]	AG24, AG23, AE24	-	LV <sub>DD</sub>	
TSEC1_TXD[5]/ cfg_tsec1_reduce	AE23	-	LV <sub>DD</sub>	
TSEC1_TXD[6:7]/ cfg_tsec1_prtcl[0:1]	AE22, AD22	-	LV <sub>DD</sub>	
TSEC2_TXD[0:3]/ cfg_rom_loc[0:3]	AB20, AJ23, AJ22, AD19	-	LV <sub>DD</sub>	
TSEC2_TXD[4], TSEC2_TX_ER/ cfg_dram_type[0:1]	AH23, AB19	-	LV <sub>DD</sub>	38
TSEC2_TXD[5]/ cfg_tsec2_reduce	AH21	-	LV <sub>DD</sub>	
TSEC2_TXD[6:7]/ cfg_tsec2_prtcl[0:1]	AG22, AG21	-	LV <sub>DD</sub>	
TSEC3_TXD[0:1]/ cfg_spare[0:1]	AL21, AJ21	O	TV <sub>DD</sub>	33
TSEC3_TXD[2]/ cfg_core1_enable	AM20	O	TV <sub>DD</sub>	
<u>TSEC3_TXD[3]/ cfg_core1_lm_offset</u>	AJ20	-	LV <sub>DD</sub>	
TSEC3_TXD[5]/ cfg_tsec3_reduce	AK21	-	LV <sub>DD</sub>	
TSEC3_TXD[6:7]/ cfg_tsec3_prtcl[0:1]	AL20, AL19	-	LV <sub>DD</sub>	
TSEC4_TXD[0:3]/ cfg_io_ports[0:3]	AC18, AC16, AD18, AD17	-	LV <sub>DD</sub>	

Table 63. MPC8641 Signal Reference by Functional Block (continued)

Name <sup>1</sup>	Package Pin Number	Pin Type	Power Supply	Notes
TSEC4_TXD[5]/ cfg_tsec4_reduce	AB18	-	LV <sub>DD</sub>	
TSEC4_TXD[6:7]/ cfg_tsec4_prctl[0:1]	AB17, AB16	-	LV <sub>DD</sub>	
LAD[0:31]/ cfg_gpporcr[0:31]	A30, E29, C29, D28, D29, H25, B29, A29, C28, L22, M22, A28, C27, H26, G26, B27, B26, A27, E27, G25, D26, E26, G24, F27, A26, A25, C25, H23, K22, D25, F25, H22	-	OV <sub>DD</sub>	
$\overline{\text{LWE}}[0]/$ cfg_cpu_boot	E21	-	OV <sub>DD</sub>	
$\overline{\text{LWE}}[1]/$ cfg_rio_sys_size	F21	-	OV <sub>DD</sub>	
$\overline{\text{LWE}}[2:3]/$ cfg_host_agt[0:1]	D22, E20	-	OV <sub>DD</sub>	
LDP[0:3], LA[27] / cfg_core_pll[0:4]	A24, E24, C24, B24, J21	-	OV <sub>DD</sub>	22
LA[28:31]/ cfg_sys_pll[0:3]	K21, G22, F24, G21	-	OV <sub>DD</sub>	22
LGPL[3], LGPL[5]/ cfg_boot_seq[0:1]	K20, J19	-	OV <sub>DD</sub>	
D1_MSRCID[0]/ cfg_mem_debug	F15	-	OV <sub>DD</sub>	
D1_MSRCID[1]/ cfg_ddr_debug	K15	-	OV <sub>DD</sub>	

**Note:**

- Multi-pin signals such as D1\_MDQ[0:63] and D2\_MDQ[0:63] have their physical package pin numbers listed in order corresponding to the signal names.
- Stub Series Terminated Logic (SSTL-18 and SSTL-25) type pins.
- If a DDR port is not used, it is possible to leave the related power supply (Dn\_GVDD, Dn\_MVREF) turned off at reset. Note that these power supplies can only be powered up again at reset for functionality to occur on the DDR port.
- Low Voltage Differential Signaling (LVDS) type pins.
- Low Voltage Transistor-Transistor Logic (LVTTTL) type pins.
- This pin is a reset configuration pin and appears again in the Reset Configuration Signals section of this table. See the Reset Configuration Signals section of this table for config name and connection details.
- Recommend a weak pull-up resistor (1–10 k $\Omega$ ) be placed from this pin to its power supply.
- Recommend a weak pull-down resistor (2–10 k $\Omega$ ) be placed from this pin to ground.
- This multiplexed pin has input status in one mode and output in another
- This pin is a multiplexed signal for different functional blocks and appears more than once in this table.
- This pin is open drain signal.
- Functional only on the MPC8641D.
- These pins should be left floating.
- These pins should be connected to SV<sub>DD</sub>.

15. These pins should be pulled to ground with a strong resistor (270-Ω to 330-Ω).
16. These pins should be connected to OVDD.
17. This is a SerDes PLL/DLL digital test signal and is only for factory use.
18. This is a SerDes PLL/DLL analog test signal and is only for factory use.
19. This pin should be pulled to ground with a 100-Ω resistor.
20. The pins in this section are reset configuration pins. Each pin has a weak internal pull-up P-FET which is enabled only when the processor is in the reset state. This pull-up is designed such that it can be overpowered by an external 4.7-kΩ pull-down resistor. However, if the signal is intended to be high after reset, and if there is any device on the net which might pull down the value of the net at reset, then a pullup or active driver is needed.
21. Should be pulled down at reset if platform frequency is at 400 MHz.
22. These pins require 4.7-kΩ pull-up or pull-down resistors and must be driven as they are used to determine PLL configuration ratios at reset.
23. This output is actively driven during reset rather than being tri-stated during reset.
24. These JTAG pins have weak internal pull-up P-FETs that are always enabled.
25. This pin should NOT be pulled down (or driven low) during reset.
26. These are test signals for factory use only and must be pulled up (100-Ω to 1- kΩ) to OVDD for normal machine operation.
27. Dn\_MDIC[0] should be connected to ground with an 18-Ω resistor +/- 1-Ω and Dn\_MDIC[1] should be connected Dn\_GVDD with an 18-Ω resistor +/- 1-Ω. These pins are used for automatic calibration of the DDR IOs.
28. Pin N18 is recommended as a reference point for determining the voltage of V<sub>DD\_PLAT</sub> and is hence considered as the V<sub>DD\_PLAT</sub> sensing voltage and is called SENSEVDD\_PLAT.
29. Pin P18 is recommended as the ground reference point for SENSEVDD\_PLAT and is called SENSEVSS\_PLAT.
30. This pin should be pulled to ground with a 200-Ω resistor.
31. These pins are connected to the power/ground planes internally and may be used by the core power supply to improve tracking and regulation.
32. Must be tied low if unused
33. These pins may be used as defined functional reset configuration pins in the future. Please include a resistor pull up/down option to allow flexibility of future designs.
34. Used as serial data output for SRIO 1x/4x link.
35. Used as serial data input for SRIO 1x/4x link.
36. This pin requires an external 4.7-kΩ pull-down resistor to prevent PHY from seeing a valid Transmit Enable before it is actively driven.
37. This pin is only an output in FIFO mode when used as Rx Flow Control.
38. This pin functions as cfg\_dram\_type[0 or 1] at reset and MUST BE VALID BEFORE HRESET ASSERTION in device sleep mode.
39. Should be pulled to ground if unused (such as in FIFO, MII and RMII modes).
40. See [Section 18.4.2, "Platform to FIFO Restrictions"](#) for clock speed limitations for this pin when used in FIFO mode.
41. The phase between the output clocks TSEC1\_GTX\_CLK and TSEC2\_GTX\_CLK (ports 1 and 2) is no more than 100 ps. The phase between the output clocks TSEC3\_GTX\_CLK and TSEC4\_GTX\_CLK (ports 3 and 4) is no more than 100 ps.
42. For systems which boot from Local Bus (GPCM)-controlled flash, a pullup on LGPL4 is required.

#### Special Notes for Single Core Device:

- S1. Solder ball for this signal will not be populated in the single core package.
- S2. The PLL filter from V<sub>DD\_Core1</sub> to AV<sub>DD\_Core1</sub> should be removed. AV<sub>DD\_Core1</sub> should be pulled to ground with a weak (2–10 kΩ) resistor. See [Section 20.2.1, "PLL Power Supply Filtering"](#) for more details.
- S3. This pin should be pulled to GND for the single core device.
- S4. No special requirement for this pin on single core device. Pin should be tied to power supply as directed for dual core.

# 18 Clocking

This section describes the PLL configuration of the MPC8641. Note that the platform clock is identical to the MPX clock.

## 18.1 Clock Ranges

Table 64 provides the clocking specifications for the processor cores and Table 65 provides the clocking specifications for the memory bus. Table 66 provides the clocking for the Platform/MPX bus and Table 67 provides the clocking for the Local bus.

**Table 64. Processor Core Clocking Specifications**

Characteristic	Maximum Processor Core Frequency								Unit	Notes
	1000 MHz		1250MHz		1333MHz		1500 MHz			
	Min	Max	Min	Max	Min	Max	Min	Max		
e600 core processor frequency	800	1000	800	1250	800	1333	800	1500	MHz	1, 2

**Notes:**

- Caution:** The MPX clock to SYSCLK ratio and e600 core to MPX clock ratio settings must be chosen such that the resulting SYSCLK frequency, e600 (core) frequency, and MPX clock frequency do not exceed their respective maximum or minimum operating frequencies. Refer to [Section 18.2, "MPX to SYSCLK PLL Ratio,"](#) and [Section 18.3, "e600 to MPX clock PLL Ratio,"](#) for ratio settings.
- The minimum e600 core frequency is based on the minimum platform clock frequency of 400 MHz.

**Table 65. Memory Bus Clocking Specifications**

Characteristic	Maximum Processor Core Frequency		Unit	Notes
	1000, 1250, 1333, 1500MHz			
	Min	Max		
Memory bus clock frequency	200	300	MHz	1, 2

**Notes:**

- Caution:** The MPX clock to SYSCLK ratio and e600 core to MPX clock ratio settings must be chosen such that the resulting SYSCLK frequency, e600 (core) frequency, and MPX clock frequency do not exceed their respective maximum or minimum operating frequencies. Refer to [Section 18.2, "MPX to SYSCLK PLL Ratio,"](#) and [Section 18.3, "e600 to MPX clock PLL Ratio,"](#) for ratio settings.
- The memory bus clock speed is half the DDR/DDR2 data rate, hence, half the MPX clock frequency.

**Table 66. Platform/MPX bus Clocking Specifications**

Characteristic	Maximum Processor Core Frequency		Unit	Notes
	1000, 1250, 1333, 1500MHz			
	Min	Max		
Platform/MPX bus clock frequency	400	500-600	MHz	1, 2

**Notes:**

- Caution:** The MPX clock to SYSCLK ratio and e600 core to MPX clock ratio settings must be chosen such that the resulting SYSCLK frequency, e600 (core) frequency, and MPX clock frequency do not exceed their respective maximum or minimum operating frequencies. Refer to [Section 18.2, “MPX to SYSCLK PLL Ratio,”](#) and [Section 18.3, “e600 to MPX clock PLL Ratio,”](#) for ratio settings.
- Platform/MPX frequencies between 400 and 500 MHz are not supported.

**Table 67. Local Bus Clocking Specifications**

Characteristic	Maximum Processor Core Frequency		Unit	Notes
	1000, 1250, 1333, 1500MHz			
	Min	Max		
Local bus clock speed (for Local Bus Controller)	25	133	MHz	1

**Notes:**

- The Local bus clock speed on LCLK[0:2] is determined by MPX clock divided by the Local Bus PLL ratio programmed in LCRR[CLKDIV]. See the reference manual for the MPC8641D for more information on this.

## 18.2 MPX to SYSCLK PLL Ratio

The MPX clock is the clock that drives the MPX bus, and is also called the platform clock. The frequency of the MPX is set using the following reset signals, as shown in [Table 68](#):

- SYSCLK input signal
- Binary value on LA[28:31] at power up

Note that there is no default for this PLL ratio; these signals must be pulled to the desired values. Also note that the DDR data rate is the determining factor in selecting the MPX bus frequency, since the MPX frequency must equal the DDR data rate.

**Table 68. MPX:SYSCLK Ratio**

Binary Value of LA[28:31] Signals	MPX:SYSCLK Ratio
0000	Reserved
0001	Reserved

Table 68. MPX:SYSCLK Ratio

Binary Value of LA[28:31] Signals	MPX:SYSCLK Ratio
0010	2:1
0011	3:1
0100	4:1
0101	5:1
0110	6:1
0111	Reserved
1000	8:1
1001	9:1

### 18.3 e600 to MPX clock PLL Ratio

Table 69 describes the clock ratio between the platform and the e600 core clock. This ratio is determined by the binary value of LDP[0:3], LA[27](cfg\_core\_pll[0:4] - reset config name) at power up, as shown in Table 69.

Table 69. e600 Core to MPX Clock Ratio

Binary Value of LDP[0:3], LA[27] Signals	e600 core: MPX Clock Ratio
01000	2:1
01100	2.5:1
10000	3:1
11100	3.5:1
10100	4:1
01110	4.5:1

## 18.4 Frequency Options

### 18.4.1 SYSCLK to Platform Frequency Options

Table 70 shows some SYSCLK frequencies and the expected MPX frequency values based on the MPX clock to SYSCLK ratio. Note that frequencies between 400 MHz and 500 MHz are NOT supported on the



platform. See note regarding *cfg\_platform\_freq* in Section 17, “Signal Listings” since it is a reset configuration pin that is related to platform frequency.

**Table 70. Frequency Options of SYSCLK with Respect to Platform/MPX Clock Speed**

MPX to SYSCLK Ratio	SYSCLK (MHz)					
	66	83	100	111	133	167
	Platform/MPX Frequency (MHz) <sup>1</sup>					
2						
3					400	500
4			400		533	
5			500	555		
6	400	500	600			
8	533					
9	600					

<sup>1</sup> SYSCLK frequency range is 66-167 MHz. Platform clock/ MPX frequency range is 400 MHz, 500-600 MHz.

### 18.4.2 Platform to FIFO Restrictions

Please note the following FIFO maximum speed restrictions based on platform speed.

For FIFO GMII mode:

FIFO TX/RX clock frequency  $\leq$  platform clock frequency / 4.2

For example, if the platform frequency is 533MHz, the FIFO TX/RX clock frequency should be no more than 127MHz

For FIFO encoded mode:

FIFO TX/RX clock frequency  $\leq$  platform clock frequency / 3.2

For example, if the platform frequency is 533MHz, the FIFO TX/RX clock frequency should be no more than 167MHz

## 19 Thermal

This section describes the thermal specifications of the MPC8641.

### 19.1 Thermal Characteristics

Table 71 provides the package thermal characteristics for the MPC8641.

**Table 71. Package Thermal Characteristics<sup>1</sup>**

Characteristic	Symbol	Value	Unit	Notes
Junction-to-ambient thermal resistance, natural convection, single-layer (1s) board	$R_{\theta JA}$	18	°C/W	1, 2
Junction-to-ambient thermal resistance, natural convection, four-layer (2s2p) board	$R_{\theta JA}$	13	°C/W	1, 3
Junction-to-ambient thermal resistance, 200 ft/min airflow, single-layer (1s) board	$R_{\theta JMA}$	13	°C/W	1, 3
Junction-to-ambient thermal resistance, 200 ft/min airflow, four-layer (2s2p) board	$R_{\theta JMA}$	9	°C/W	1, 3
Junction-to-board thermal resistance	$R_{\theta JB}$	5	°C/W	4
Junction-to-case thermal resistance	$R_{\theta JC}$	< 0.1	°C/W	5

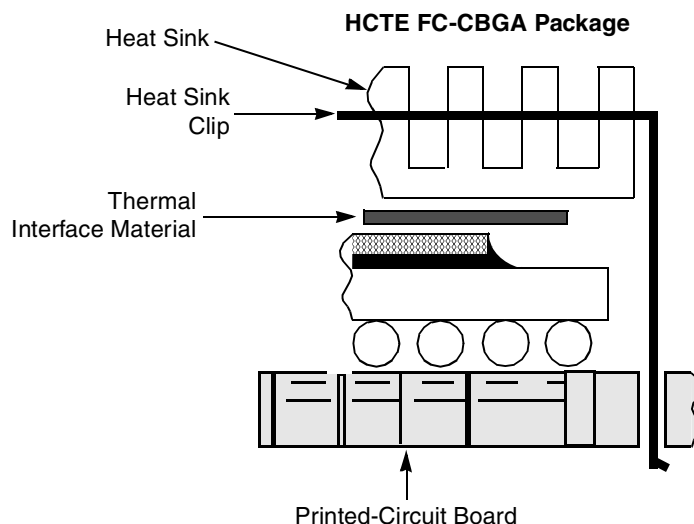
**Notes:**

1. Junction temperature is a function of die size, on-chip power dissipation, package thermal resistance, mounting site (board) temperature, ambient temperature, air flow, power dissipation of other components on the board, and board thermal resistance.
2. Per JEDEC JESD51-2 with the single-layer board (JESD51-3) horizontal.
3. Per JEDEC JESD51-6 with the board (JESD51-7) horizontal.
4. Thermal resistance between the die and the printed-circuit board per JEDEC JESD51-8. Board temperature is measured on the top surface of the board near the package.
5. This is the thermal resistance between die and case top surface as measured by the cold plate method (MIL SPEC-883 Method 1012.1) with the calculated case temperature. Actual thermal resistance is less than 0.1 °C/W.

## 19.2 Thermal Management Information

This section provides thermal management information for the high coefficient of thermal expansion (HCTE) package for air-cooled applications. Proper thermal control design is primarily dependent on the system-level design—the heat sink, airflow, and thermal interface material. The MPC8641 implements several features designed to assist with thermal management, including the temperature diode. The temperature diode allows an external device to monitor the die temperature in order to detect excessive temperature conditions and alert the system; see [Section 19.2.4, “Temperature Diode,”](#) for more information.

To reduce the die-junction temperature, heat sinks are required; due to the potential large mass of the heat sink, attachment through the printed-circuit board is suggested. In any implementation of a heat sink solution, the force on the die should not exceed ten pounds force (45 newtons). [Figure 59](#) and [Figure 52](#) show a spring clip through the board. Occasionally the spring clip is attached to soldered hooks or to a plastic backing structure. Screw and spring arrangements are also frequently used.



**Figure 59. FC-CBGA Package Exploded Cross-Sectional View with Several Heat Sink Options**

There are several commercially-available heat sinks for the MPC8641 provided by the following vendors:

Aavid Thermalloy 603-224-9988

80 Commercial St.

Concord, NH 03301

Internet: [www.aavidthermalloy.com](http://www.aavidthermalloy.com)

Advanced Thermal Solutions 781-769-2800

89 Access Road #27.

Norwood, MA 02062

Internet: [www.qats.com](http://www.qats.com)

Alpha Novatech 408-749-7601

473 Sapena Ct. #12

Santa Clara, CA 95054

Internet: [www.alphanovatech.com](http://www.alphanovatech.com)

Calgreg Thermal Solutions 888-732-6100

60 Alhambra Road, Suite 1

Warwick, RI 02886

Internet: [www.calgreg.com](http://www.calgreg.com)

International Electronic Research Corporation (IERC) 818-842-7277

413 North Moss St.

Burbank, CA 91502

Internet: [www.ctscorp.com](http://www.ctscorp.com)

Millennium Electronics (MEI) 408-436-8770

Loroco Sites

671 East Brokaw Road

San Jose, CA 95112

Internet: [www.mei-thermal.com](http://www.mei-thermal.com)

Tyco Electronics  
Chip Coolers™  
P.O. Box 3668  
Harrisburg, PA 17105-3668  
Internet: [www.chipcoolers.com](http://www.chipcoolers.com)

800-522-6752

Wakefield Engineering  
33 Bridge St.  
Pelham, NH 03076  
Internet: [www.wakefield.com](http://www.wakefield.com)

603-635-5102

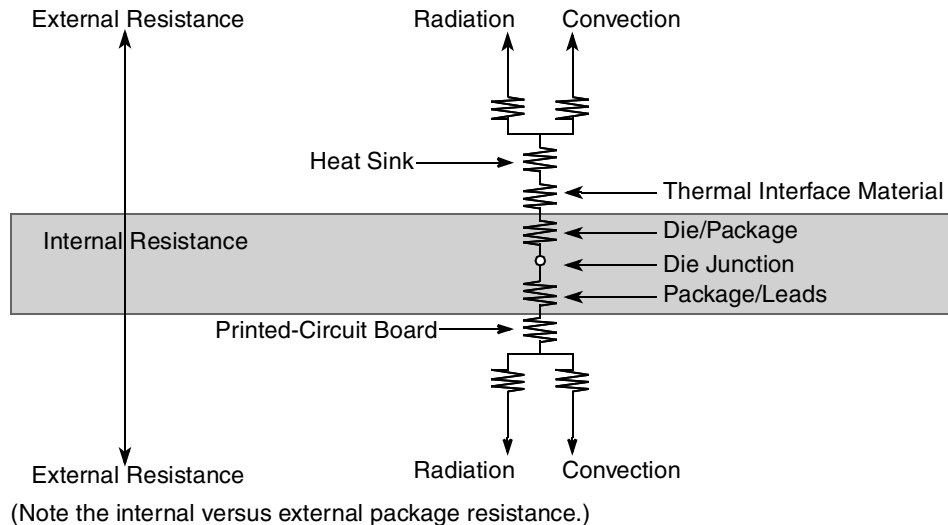
Ultimately, the final selection of an appropriate heat sink depends on many factors, such as thermal performance at a given air velocity, spatial volume, mass, attachment method, assembly, and cost.

### 19.2.1 Internal Package Conduction Resistance

For the exposed-die packaging technology described in [Table 71](#), the intrinsic conduction thermal resistance paths are as follows:

- The die junction-to-case thermal resistance (the case is actually the top of the exposed silicon die)
- The die junction-to-board thermal resistance

Figure 60 depicts the primary heat transfer path for a package with an attached heat sink mounted to a printed-circuit board.



**Figure 60. C4 Package with Heat Sink Mounted to a Printed-Circuit Board**

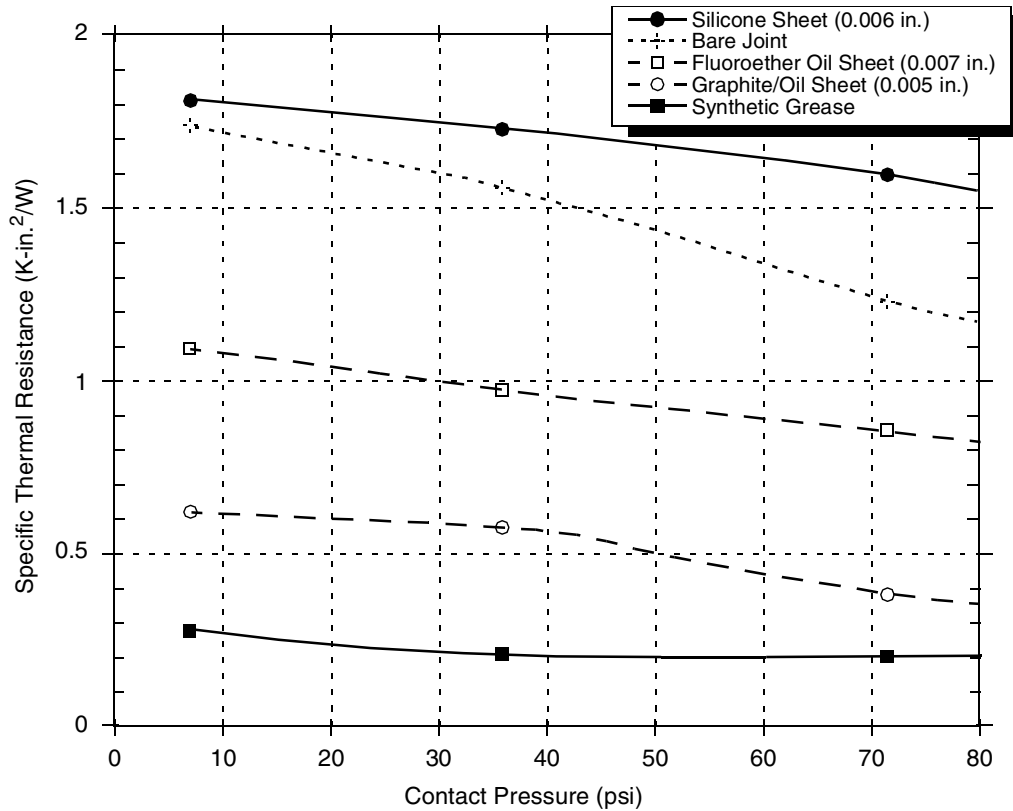
Heat generated on the active side of the chip is conducted through the silicon, through the heat sink attach material (or thermal interface material), and finally to the heat sink where it is removed by forced-air convection.

Because the silicon thermal resistance is quite small, the temperature drop in the silicon may be neglected for a first-order analysis. Thus the thermal interface material and the heat sink conduction/convective thermal resistances are the dominant terms.

## 19.2.2 Thermal Interface Materials

A thermal interface material is recommended at the package-to-heat sink interface to minimize the thermal contact resistance. Figure 61 shows the thermal performance of three thin-sheet thermal-interface materials (silicone, graphite/oil, fluoroether oil), a bare joint, and a joint with thermal grease as a function of contact pressure. As shown, the performance of these thermal interface materials improves with increasing contact pressure. The use of thermal grease significantly reduces the interface thermal resistance. That is, the bare joint results in a thermal resistance approximately seven times greater than the thermal grease joint.

Often, heat sinks are attached to the package by means of a spring clip to holes in the printed-circuit board (see Figure 59). Therefore, synthetic grease offers the best thermal performance, considering the low interface pressure, and is recommended due to the high power dissipation of the MPC8641. Of course, the selection of any thermal interface material depends on many factors—thermal performance requirements, manufacturability, service temperature, dielectric properties, cost, and so on.



**Figure 61. Thermal Performance of Select Thermal Interface Material**

The board designer can choose between several types of thermal interface. Heat sink adhesive materials should be selected based on high conductivity and mechanical strength to meet equipment shock/vibration requirements. There are several commercially available thermal interfaces and adhesive materials provided by the following vendors:

The Bergquist Company 800-347-4572  
 18930 West 78<sup>th</sup> St.  
 Chanhassen, MN 55317  
 Internet: [www.bergquistcompany.com](http://www.bergquistcompany.com)

Chomerics, Inc. 781-935-4850  
 77 Dragon Ct.  
 Woburn, MA 01801  
 Internet: [www.chomerics.com](http://www.chomerics.com)

Dow-Corning Corporation 800-248-2481  
 Corporate Center  
 PO Box 994  
 Midland, MI 48686-0994  
 Internet: [www.dowcorning.com](http://www.dowcorning.com)

Shin-Etsu MicroSi, Inc.  
 10028 S. 51st St.  
 Phoenix, AZ 85044  
 Internet: www.microsi.com

888-642-7674

Thermagon Inc.  
 4707 Detroit Ave.  
 Cleveland, OH 44102  
 Internet: www.thermagon.com

888-246-9050

The following section provides a heat sink selection example using one of the commercially available heat sinks.

### 19.2.3 Heat Sink Selection Example

For preliminary heat sink sizing, the die-junction temperature can be expressed as follows:

$$T_j = T_i + T_r + (R_{\theta JC} + R_{\theta int} + R_{\theta sa}) \times P_d$$

where:

$T_j$  is the die-junction temperature

$T_i$  is the inlet cabinet ambient temperature

$T_r$  is the air temperature rise within the computer cabinet

$R_{\theta JC}$  is the junction-to-case thermal resistance

$R_{\theta int}$  is the adhesive or interface material thermal resistance

$R_{\theta sa}$  is the heat sink base-to-ambient thermal resistance

$P_d$  is the power dissipated by the device

During operation, the die-junction temperatures ( $T_j$ ) should be maintained less than the value specified in [Table 2](#). The temperature of air cooling the component greatly depends on the ambient inlet air temperature and the air temperature rise within the electronic cabinet. An electronic cabinet inlet-air temperature ( $T_i$ ) may range from 30° to 40°C. The air temperature rise within a cabinet ( $T_r$ ) may be in the range of 5° to 10°C. The thermal resistance of the thermal interface material ( $R_{\theta int}$ ) is typically about 0.2°C/W. For example, assuming a  $T_i$  of 30°C, a  $T_r$  of 5°C, a package  $R_{\theta JC} = 0.1$ , and a typical power consumption ( $P_d$ ) of 43.4 W, the following expression for  $T_j$  is obtained:

$$\text{Die-junction temperature: } T_j = 30^\circ\text{C} + 5^\circ\text{C} + (0.1^\circ\text{C/W} + 0.2^\circ\text{C/W} + \theta_{sa}) \times 43.4 \text{ W}$$

For this example, a  $R_{\theta sa}$  value of 1.32 °C/W or less is required to maintain the die junction temperature below the maximum value of [Table 2](#).

Though the die junction-to-ambient and the heat sink-to-ambient thermal resistances are a common figure-of-merit used for comparing the thermal performance of various microelectronic packaging technologies, one should exercise caution when only using this metric in determining thermal management because no single parameter can adequately describe three-dimensional heat flow. The final die-junction operating temperature is not only a function of the component-level thermal resistance, but the system-level design and its operating conditions. In addition to the component's power consumption, a number of factors affect the final operating die-junction temperature—airflow, board population (local

heat flux of adjacent components), heat sink efficiency, heat sink placement, next-level interconnect technology, system air temperature rise, altitude, and so on.

Due to the complexity and variety of system-level boundary conditions for today's microelectronic equipment, the combined effects of the heat transfer mechanisms (radiation, convection, and conduction) may vary widely. For these reasons, we recommend using conjugate heat transfer models for the board as well as system-level designs.

For system thermal modeling, the MPC8641 thermal model is shown in Figure 62. Four cuboids are used to represent this device. The die is modeled as 12.4x15.3 mm at a thickness of 0.86 mm. See Section 3, “Power Characteristics” for power dissipation details. The substrate is modeled as a single block 33x33x1.2 mm with orthotropic conductivity: 13.5 W/(m • K) in the xy-plane and 5.3 W/(m • K) in the z-direction. The die is centered on the substrate. The bump/underfill layer is modeled as a collapsed thermal resistance between the die and substrate with a conductivity of 5.3 W/(m • K) in the thickness dimension of 0.07 mm. Because the bump/underfill is modeled with zero physical dimension (collapsed height), the die thickness was slightly enlarged to provide the correct height. The C5 solder layer is modeled as a cuboid with dimensions 33x33x0.4 mm and orthotropic thermal conductivity of 0.034 W/(m • K) in the xy-plane and 9.6 W/(m • K) in the z-direction. An LGA solder layer would be modeled as a collapsed thermal resistance with thermal conductivity of 9.6W/(m • K) and an effective height of 0.1 mm. The thermal model uses approximate dimensions to reduce grid. Please refer to the case outline for actual dimensions.

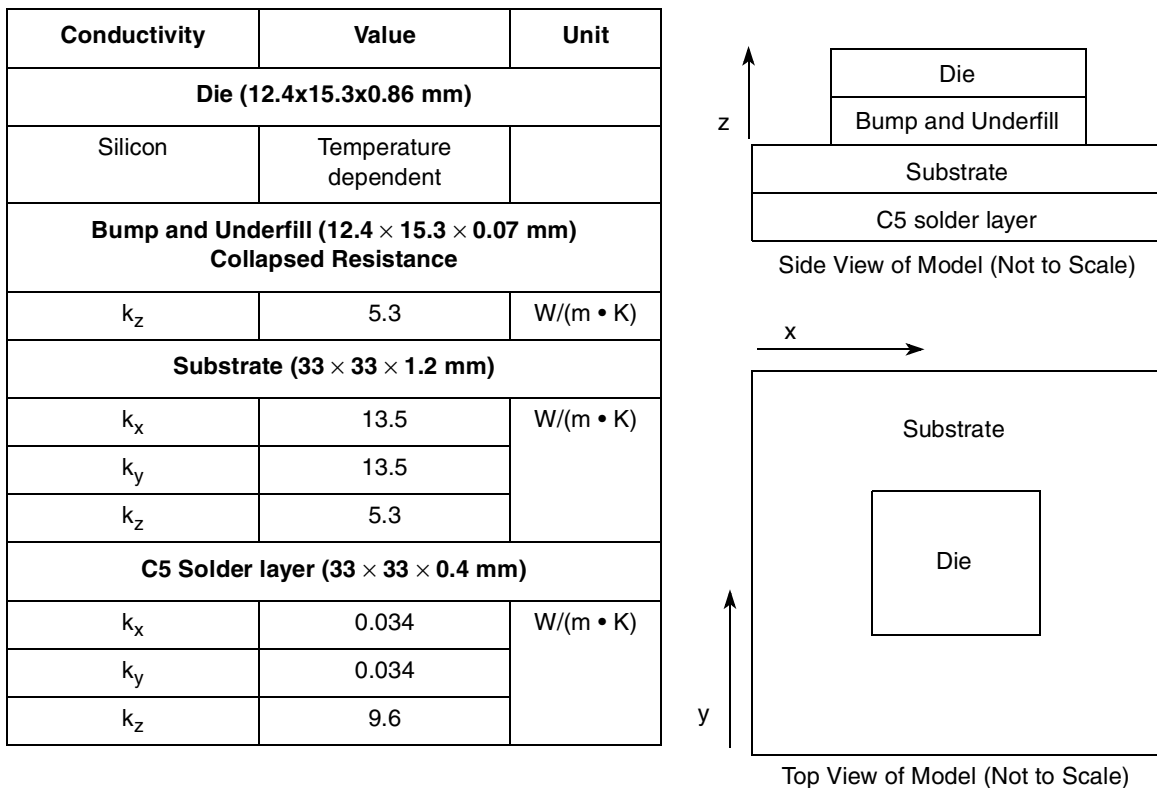


Figure 62. Recommended Thermal Model of MPC8641



## 19.2.4 Temperature Diode

The MPC8641 has a temperature diode on the microprocessor that can be used in conjunction with other system temperature monitoring devices (such as Analog Devices, ADT7461™). These devices use the negative temperature coefficient of a diode operated at a constant current to determine the temperature of the microprocessor and its environment. For proper operation, the monitoring device used should auto-calibrate the device by canceling out the  $V_{BE}$  variation of each MPC8641's internal diode.

The following are the specifications of the MPC8641 on-board temperature diode:

$$V_f > 0.40 \text{ V}$$

$$V_f < 0.90 \text{ V}$$

Operating range 2–300  $\mu\text{A}$

Diode leakage < 10 nA @ 125°C

Ideality factor over 5–150  $\mu\text{A}$  at 60°C:  $n = 1.0275 \pm 0.9\%$

Ideality factor is defined as the deviation from the ideal diode equation:

$$I_{fw} = I_s \left[ e^{\frac{qV_f}{nKT}} - 1 \right]$$

Another useful equation is:

$$V_H - V_L = n \frac{KT}{q} \left[ \ln \frac{I_H}{I_L} \right]$$

Where:

$I_{fw}$  = Forward current

$I_s$  = Saturation current

$V_d$  = Voltage at diode

$V_f$  = Voltage forward biased

$V_H$  = Diode voltage while  $I_H$  is flowing

$V_L$  = Diode voltage while  $I_L$  is flowing

$I_H$  = Larger diode bias current

$I_L$  = Smaller diode bias current

$q$  = Charge of electron ( $1.6 \times 10^{-19}$  C)

$n$  = Ideality factor (normally 1.0)

$K$  = Boltzman's constant ( $1.38 \times 10^{-23}$  Joules/K)

$T$  = Temperature (Kelvins)

The ratio of  $I_H$  to  $I_L$  is usually selected to be 10:1. The above simplifies to the following:

$$V_H - V_L = 1.986 \times 10^{-4} \times nT$$

Solving for T, the equation becomes:

$$nT = \frac{V_H - V_L}{1.986 \times 10^{-4}}$$

## 20 System Design Information

This section provides electrical and thermal design recommendations for successful application of the MPC8641.

### 20.1 System Clocking

This device includes six PLLs, as follows:

1. The platform PLL generates the platform clock from the externally supplied SYSCLK input. The frequency ratio between the platform and SYSCLK is selected using the platform PLL ratio configuration bits as described in [Section 18.2, “MPX to SYSCLK PLL Ratio.”](#)
2. The dual e600 Core PLLs generate the e600 clock from the externally supplied input.
3. The local bus PLL generates the clock for the local bus.
4. There are two internal PLLs for the SerDes block.

### 20.2 Power Supply Design and Sequencing

#### 20.2.1 PLL Power Supply Filtering

Each of the PLLs listed above is provided with power through independent power supply pins.

There are a number of ways to reliably provide power to the PLLs, but the recommended solution is to provide independent filter circuits per PLL power supply as illustrated in [Figure 64](#), one to each of the  $AV_{DD}$  type pins. By providing independent filters to each PLL the opportunity to cause noise injection from one PLL to the other is reduced.

This circuit is intended to filter noise in the PLLs resonant frequency range from a 500 kHz to 10 MHz range. It should be built with surface mount capacitors with minimum Effective Series Inductance (ESL). Consistent with the recommendations of Dr. Howard Johnson in *High Speed Digital Design: A Handbook of Black Magic* (Prentice Hall, 1993), multiple small capacitors of equal value are recommended over a single large value capacitor.

Each circuit should be placed as close as possible to the specific  $AV_{DD}$  type pin being supplied to minimize noise coupled from nearby circuits. It should be possible to route directly from the capacitors to the  $AV_{DD}$  type pin, which is on the periphery of the footprint, without the inductance of vias.

Figure 63 and Figure 64 show the PLL power supply filter circuits for the platform and cores, respectively.

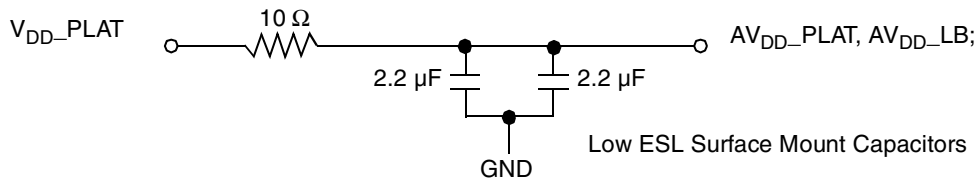
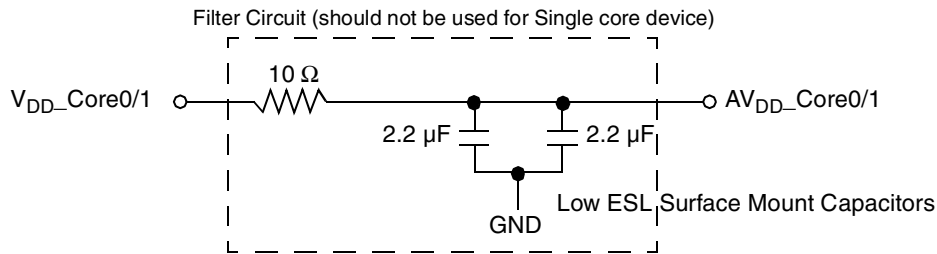


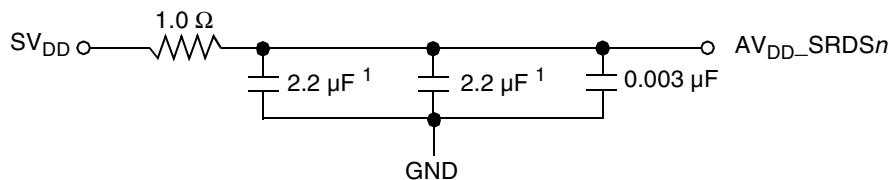
Figure 63. MPC8641 PLL Power Supply Filter Circuit (for platform and Local Bus)



**Note:** For single core device the filter circuit (in the dashed box) should be removed and  $AV_{DD\_Core1}$  should be tied to ground with a weak (2-10 k $\Omega$ ) pull-down resistor.

Figure 64. MPC8641 PLL Power Supply Filter Circuit (for cores)

The  $AV_{DD\_SRDSn}$  signals provide power for the analog portions of the SerDes PLL. To ensure stability of the internal clock, the power supplied to the PLL is filtered using a circuit similar to the one shown in following figure. For maximum effectiveness, the filter circuit is placed as closely as possible to the  $AV_{DD\_SRDSn}$  balls to ensure it filters out as much noise as possible. The ground connection should be near the  $AV_{DD\_SRDSn}$  balls. The 0.003- $\mu$ F capacitor is closest to the balls, followed by the two 2.2- $\mu$ F capacitors, and finally the 1  $\Omega$  resistor to the board supply plane. The capacitors are connected from  $AV_{DD\_SRDSn}$  to the ground plane. Use ceramic chip capacitors with the highest possible self-resonant frequency. All traces should be kept short, wide and direct.



1. An 0805 sized capacitor is recommended for system initial bring-up.

Figure 65. SerDes PLL Power Supply Filter

Note the following:

- $AV_{DD\_SRDSn}$  should be a filtered version of  $SV_{DD}$ .
- Signals on the SerDes interface are fed from the  $SV_{DD}$  power plan.

## 20.2.2 PLL Power Supply Sequencing

For details on power sequencing for the  $AV_{DD}$  type and supplies refer to [Section 2.2, “Power Up/Down Sequence.”](#)

## 20.3 Decoupling Recommendations

Due to large address and data buses, and high operating frequencies, the device can generate transient power surges and high frequency noise in its power supply, especially while driving large capacitive loads. This noise must be prevented from reaching other components in the MPC8641 system, and the device itself requires a clean, tightly regulated source of power. Therefore, it is recommended that the system designer place at least one decoupling capacitor at each  $OV_{DD}$ ,  $Dn\_GV_{DD}$ ,  $LV_{DD}$ ,  $TV_{DD}$ ,  $V_{DD\_Coren}$ , and  $V_{DD\_PLAT}$  pin of the device. These decoupling capacitors should receive their power from separate  $OV_{DD}$ ,  $Dn\_GV_{DD}$ ,  $LV_{DD}$ ,  $TV_{DD}$ ,  $V_{DD\_Coren}$ , and  $V_{DD\_PLAT}$  and GND power planes in the PCB, utilizing short traces to minimize inductance. Capacitors may be placed directly under the device using a standard escape pattern. Others may surround the part.

These capacitors should have a value of 0.01 or 0.1  $\mu\text{F}$ . Only ceramic SMT (surface mount technology) capacitors should be used to minimize lead inductance, preferably 0402 or 0603 sizes.

In addition, it is recommended that there be several bulk storage capacitors distributed around the PCB, feeding the  $OV_{DD}$ ,  $Dn\_GV_{DD}$ ,  $LV_{DD}$ ,  $TV_{DD}$ ,  $V_{DD\_Coren}$ , and  $V_{DD\_PLAT}$  planes, to enable quick recharging of the smaller chip capacitors. They should also be connected to the power and ground planes through two vias to minimize inductance. Suggested bulk capacitors—100–330  $\mu\text{F}$  (AVX TPS tantalum or Sanyo OSCON).

## 20.4 SerDes Block Power Supply Decoupling Recommendations

The SerDes block requires a clean, tightly regulated source of power ( $SV_{DD}$  and  $XV_{DD\_SRDSn}$ ) to ensure low jitter on transmit and reliable recovery of data in the receiver. An appropriate decoupling scheme is outlined below.

Only surface mount technology (SMT) capacitors should be used to minimize inductance. Connections from all capacitors to power and ground should be done with multiple vias to further reduce inductance.

- First, the board should have at least 10 x 10-nF SMT ceramic chip capacitors as close as possible to the supply balls of the device. Where the board has blind vias, these capacitors should be placed directly below the chip supply and ground connections. Where the board does not have blind vias, these capacitors should be placed in a ring around the device as close to the supply and ground connections as possible.
- Second, there should be a 1- $\mu\text{F}$  ceramic chip capacitor on each side of the device. This should be done for all SerDes supplies.
- Third, between the device and any SerDes voltage regulator there should be a 10- $\mu\text{F}$ , low equivalent series resistance (ESR) SMT tantalum chip capacitor and a 100- $\mu\text{F}$ , low ESR SMT tantalum chip capacitor. This should be done for all SerDes supplies.

## 20.5 Connection Recommendations

To ensure reliable operation, it is highly recommended to connect unused inputs to an appropriate signal level. In general all unused active low inputs should be tied to  $OV_{DD}$ ,  $Dn\_GV_{DD}$ ,  $LV_{DD}$ ,  $TV_{DD}$ ,  $V_{DD\_Coren}$ , and  $V_{DD\_PLAT}$ ,  $XV_{DD\_SRDSn}$ , and  $SV_{DD}$  as required and unused active high inputs should be connected to GND. All NC (no-connect) signals must remain unconnected.

Special cases:

**DDR** - If one of the DDR ports is not being used the power supply pins for that port can be connected to ground so that there is no need to connect the individual unused inputs of that port to ground. Note that these power supplies can only be powered up again at reset for functionality to occur on the DDR port. Power supplies for other functional buses should remain powered.

**Local Bus** - If parity is not used, tie LDP[0:3] to ground via a 4.7 k $\Omega$  resistor, tie LPBSE to  $OV_{DD}$  via a 4.7 k $\Omega$  resistor (pull-up resistor). For systems which boot from Local Bus (GPCM)-controlled flash, a pullup on LGPL4 is required.

**SerDes** - Receiver lanes configured for PCI Express are allowed to be disconnected (as would occur when a PCI Express slot is connected but not populated). Directions for terminating the SerDes signals is discussed in [Section 20.5.1, “Guidelines for High-Speed Interface Termination.”](#)

### 20.5.1 Guidelines for High-Speed Interface Termination

#### 20.5.1.1 SerDes Interface

The high-speed SerDes interface can be disabled through the POR input `cfg_io_ports[0:3]` and through the DEVDISR register in software. If a SerDes port is disabled through the POR input the user can not enable it through the DEVDISR register in software. However, if a SerDes port is enabled through the POR input the user can disable it through the DEVDISR register in software. Disabling a SerDes port through software should be done on a temporary basis. Power is always required for the SerDes interface, even if the port is disabled through either mechanism. [Table 72](#) describes the possible enabled/disabled scenarios for a SerDes port. The termination recommendations must be followed for each port.

**Table 72. SerDes Port Enabled/Disabled Configurations**

	Disabled through POR input	Enabled through POR input
Enabled through DEVDISR	SerDes port is disabled (and cannot be enabled through DEVDISR)  Complete termination required (Reference Clock not required)	SerDes port is enabled  Partial termination may be required <sup>1</sup> (Reference Clock is required)
Disabled through DEVDISR	SerDes port is disabled (through POR input)  Complete termination required (Reference Clock not required)	SerDes port is disabled after software disables port  Same termination requirements as when the port is enabled through POR input <sup>2</sup> (Reference Clock is required)

- <sup>1</sup> Partial Termination when a SerDes port is enabled through both POR input and DEVDISR is determined by the SerDes port mode. If the port is in x8 PCI Express mode, no termination is required because all pins are being used. If the port is in x1/x2/x4 PCI Express mode, termination is required on the unused pins. If the port is in x4 Serial RapidIO mode termination is required on the unused pins.
- <sup>2</sup> If a SerDes port is enabled through the POR input and then disabled through DEVDISR, no hardware changes are required. Termination of the SerDes port should follow what is required when the port is enabled through both POR input and DEVDISR. See Note 1 for more information.

If the high-speed SerDes port requires complete or partial termination, the unused pins should be terminated as described in this section.

The following pins must be left unconnected (floating):

- $SDn\_TX[7:0]$
- $\overline{SDn\_TX}[7:0]$

The following pins must be connected to GND:

- $SDn\_RX[7:0]$
- $\overline{SDn\_RX}[7:0]$
- $SDn\_REF\_CLK$
- $\overline{SDn\_REF\_CLK}$

#### NOTE

It is recommended to power down the unused lane through SRDS1CR1[0:7] register (offset = 0xE\_0F08) and SRDS2CR1[0:7] register (offset = 0xE\_0F44.) (This prevents the oscillations and holds the receiver output in a fixed state.) that maps to SERDES lane 0 to lane 7 accordingly.

For other directions on reserved or no-connects pins see [Section 17, “Signal Listings.”](#)

## 20.6 Pull-Up and Pull-Down Resistor Requirements

The MPC8641 requires weak pull-up resistors (2–10 k $\Omega$  is recommended) on all open drain type pins.

The following pins must NOT be pulled down during power-on reset: TSEC4\_TXD[4], LGPL0/LSDA10, LGPL1/LSDWE, TRIG\_OUT/READY, and D1\_MSRCID[2].

The following are factory test pins and require strong pull up resistors (100 $\Omega$  –1 k $\Omega$ ) to  $OV_{DD}$   $\overline{LSSD\_MODE}$ , TEST\_MODE[0:3]. The following pins require weak pull up resistors (2–10 k $\Omega$ ) to their specific power supplies:  $\overline{LCS}[0:4]$ ,  $\overline{LCS}[5]/DMA\_DREQ2$ ,  $\overline{LCS}[6]/DMA\_DACK[2]$ ,  $\overline{LCS}[7]/DMA\_DDONE[2]$ , IRQ\_OUT, IIC1\_SDA, IIC1\_SCL, IIC2\_SDA, IIC2\_SCL, and CKSTP\_OUT.

The following pins should be pulled to ground with a 100- $\Omega$  resistor: SD1\_IMP\_CAL\_TX, SD2\_IMP\_CAL\_TX. The following pins should be pulled to ground with a 200- $\Omega$  resistor: SD1\_IMP\_CAL\_RX, SD2\_IMP\_CAL\_RX.

TSEC $n$ \_TX\_EN signals require an external 4.7-k $\Omega$  pull down resistor to prevent PHY from seeing a valid Transmit Enable before it is actively driven.

When the platform frequency is 400 MHz, TSEC1\_TXD[1] must be pulled down at reset.

TSEC2\_TXD[4] and TSEC2\_TX\_ER pins function as `cfg_dram_type[0 or 1]` at reset and MUST BE VALID BEFORE HRESET ASSERTION when coming out of device sleep mode.

### 20.6.1 Special instructions for Single Core device

The mechanical drawing for the single core device does not have all the solder balls that exist on the single core device. This includes all the balls for `VDD_Core1` and `SENSEVDD_Core1` which exist on the package for the dual core device, but not on the single core package. A solder ball is present for `SENSEVSS_Core1` and needs to be connected to ground with a weak (2-10 k $\Omega$ ) pull down resistor. Likewise, `AVDD_Core1` needs to be pulled to ground as shown in [Figure 64](#).

The mechanical drawing for the single core device is located in [Section 16.2, “Mechanical Dimensions of the MPC8641 FC-CBGA.”](#)

For other pin pull-up or pull-down recommendations of signals, please see [Section 17, “Signal Listings.”](#)

## 20.7 Output Buffer DC Impedance

The MPC8641 drivers are characterized over process, voltage, and temperature. For all buses, the driver is a push-pull single-ended driver type (open drain for I<sup>2</sup>C).

To measure  $Z_0$  for the single-ended drivers, an external resistor is connected from the chip pad to `OVDD` or GND. Then, the value of each resistor is varied until the pad voltage is `OVDD/2` (see [Figure 66](#)). The output impedance is the average of two components, the resistances of the pull-up and pull-down devices. When data is held high, SW1 is closed (SW2 is open) and  $R_P$  is trimmed until the voltage at the pad equals `OVDD/2`.  $R_P$  then becomes the resistance of the pull-up devices.  $R_P$  and  $R_N$  are designed to be close to each other in value. Then,  $Z_0 = (R_P + R_N)/2$ .

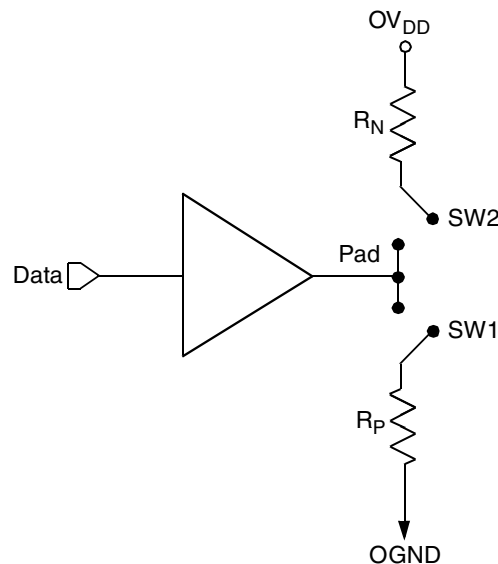


Figure 66. Driver Impedance Measurement

Table 73 summarizes the signal impedance targets. The driver impedances are targeted at minimum  $V_{DD}$ , nominal  $OV_{DD}$ ,  $105^{\circ}C$ .

Table 73. Impedance Characteristics

Impedance	DUART, Control, Configuration, Power Management	PCI Express	DDR DRAM	Symbol	Unit
$R_N$	43 Target	25 Target	20 Target	$Z_0$	W
$R_P$	43 Target	25 Target	20 Target	$Z_0$	W

Note: Nominal supply voltages. See Table 1,  $T_j = 105^{\circ}C$ .

## 20.8 Configuration Pin Muxing

The MPC8641 provides the user with power-on configuration options which can be set through the use of external pull-up or pull-down resistors of  $4.7\text{ k}\Omega$  on certain output pins (see customer visible configuration pins). These pins are generally used as output only pins in normal operation.

While  $\overline{\text{HRESET}}$  is asserted however, these pins are treated as inputs. The value presented on these pins while  $\overline{\text{HRESET}}$  is asserted, is latched when  $\overline{\text{HRESET}}$  deasserts, at which time the input receiver is disabled and the I/O circuit takes on its normal function. Most of these sampled configuration pins are equipped with an on-chip gated resistor of approximately  $20\text{ k}\Omega$ . This value should permit the  $4.7\text{-k}\Omega$  resistor to pull the configuration pin to a valid logic low level. The pull-up resistor is enabled only during  $\overline{\text{HRESET}}$  (and for platform /system clocks after  $\overline{\text{HRESET}}$  deassertion to ensure capture of the reset value). When the input receiver is disabled the pull-up is also, thus allowing functional operation of the pin as an output with minimal signal quality or delay disruption. The default value for all configuration bits treated this way has been encoded such that a high voltage level puts the device into the default state and external resistors are needed only when non-default settings are required by the user.

Careful board layout with stubless connections to these pull-down resistors coupled with the large value of the pull-down resistor should minimize the disruption of signal quality or speed for output pins thus configured.

The platform PLL ratio and e600 PLL ratio configuration pins are not equipped with these default pull-up devices.

## 20.9 JTAG Configuration Signals

Correct operation of the JTAG interface requires configuration of a group of system control pins as demonstrated in Figure 68. Care must be taken to ensure that these pins are maintained at a valid deasserted state under normal operating conditions as most have asynchronous behavior and spurious assertion will give unpredictable results.

Boundary-scan testing is enabled through the JTAG interface signals. The  $\overline{\text{TRST}}$  signal is optional in the IEEE 1149.1 specification, but is provided on all processors that implement the Power Architecture technology. The device requires  $\overline{\text{TRST}}$  to be asserted during reset conditions to ensure the JTAG boundary logic does not interfere with normal chip operation. While it is possible to force the TAP controller to the reset state using only the TCK and TMS signals, more reliable power-on reset performance will be obtained



if the  $\overline{\text{TRST}}$  signal is asserted during power-on reset. Because the JTAG interface is also used for accessing the common on-chip processor (COP) function, simply tying  $\overline{\text{TRST}}$  to  $\overline{\text{HRESET}}$  is not practical.

The COP function of these processors allows a remote computer system (typically a PC with dedicated hardware and debugging software) to access and control the internal operations of the processor. The COP port connects primarily through the JTAG interface of the processor, with some additional status monitoring signals. The COP port requires the ability to independently assert  $\overline{\text{HRESET}}$  or  $\overline{\text{TRST}}$  in order to fully control the processor. If the target system has independent reset sources, such as voltage monitors, watchdog timers, power supply failures, or push-button switches, then the COP reset signals must be merged into these signals with logic.

The arrangement shown in [Figure 67](#) allows the COP port to independently assert  $\overline{\text{HRESET}}$  or  $\overline{\text{TRST}}$ , while ensuring that the target can drive  $\overline{\text{HRESET}}$  as well.

The COP interface has a standard header, shown in [Figure 67](#), for connection to the target system, and is based on the 0.025" square-post, 0.100" centered header assembly (often called a Berg header). The connector typically has pin 14 removed as a connector key.

The COP header adds many benefits such as breakpoints, watchpoints, register and memory examination/modification, and other standard debugger features. An inexpensive option can be to leave the COP header unpopulated until needed.

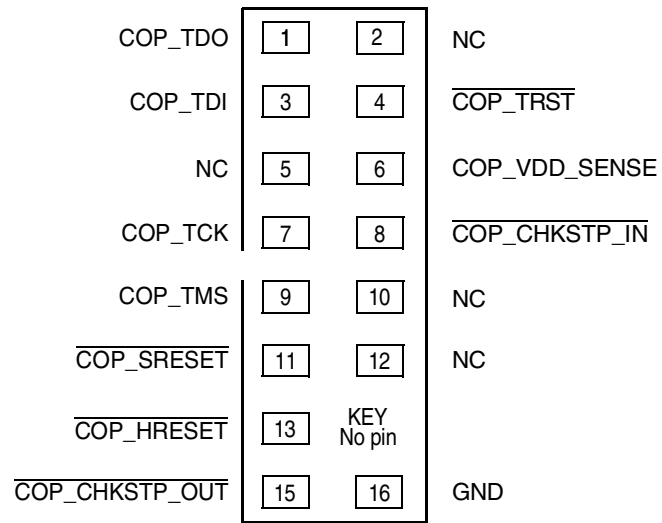
There is no standardized way to number the COP header shown in [Figure 67](#); consequently, many different pin numbers have been observed from emulator vendors. Some are numbered top-to-bottom then left-to-right, while others use left-to-right then top-to-bottom, while still others number the pins counter clockwise from pin 1 (as with an IC). Regardless of the numbering, the signal placement recommended in [Figure 67](#) is common to all known emulators.

For a multi-processor non-daisy chain configuration, [Figure 68](#), can be duplicated for each processor. The recommended daisy chain configuration is shown in [Figure 69](#). Please consult with your tool vendor to determine which configuration is supported by their emulator.

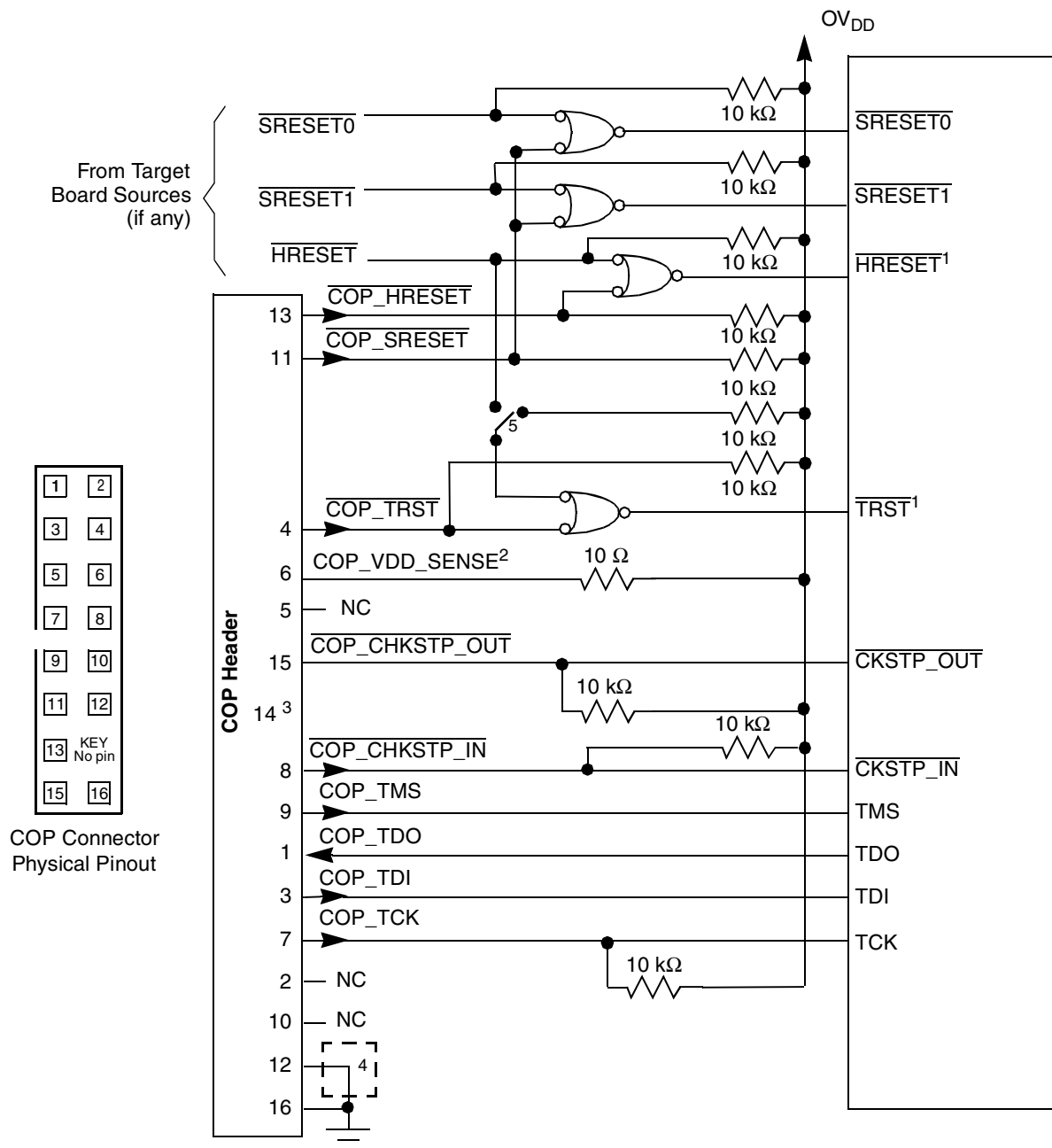
### 20.9.1 Termination of Unused Signals

If the JTAG interface and COP header will not be used, Freescale recommends the following connections:

- $\overline{\text{TRST}}$  should be tied to  $\overline{\text{HRESET}}$  through a 0 k $\Omega$  isolation resistor so that it is asserted when the system reset signal ( $\overline{\text{HRESET}}$ ) is asserted, ensuring that the JTAG scan chain is initialized during the power-on reset flow. Freescale recommends that the COP header be designed into the system as shown in [Figure 68](#). If this is not possible, the isolation resistor will allow future access to  $\overline{\text{TRST}}$  in case a JTAG interface may need to be wired onto the system in future debug situations.
- Tie TCK to  $\text{OV}_{\text{DD}}$  through a 10 k $\Omega$  resistor. This will prevent TCK from changing state and reading incorrect data into the device.
- No connection is required for TDI, TMS, or TDO.



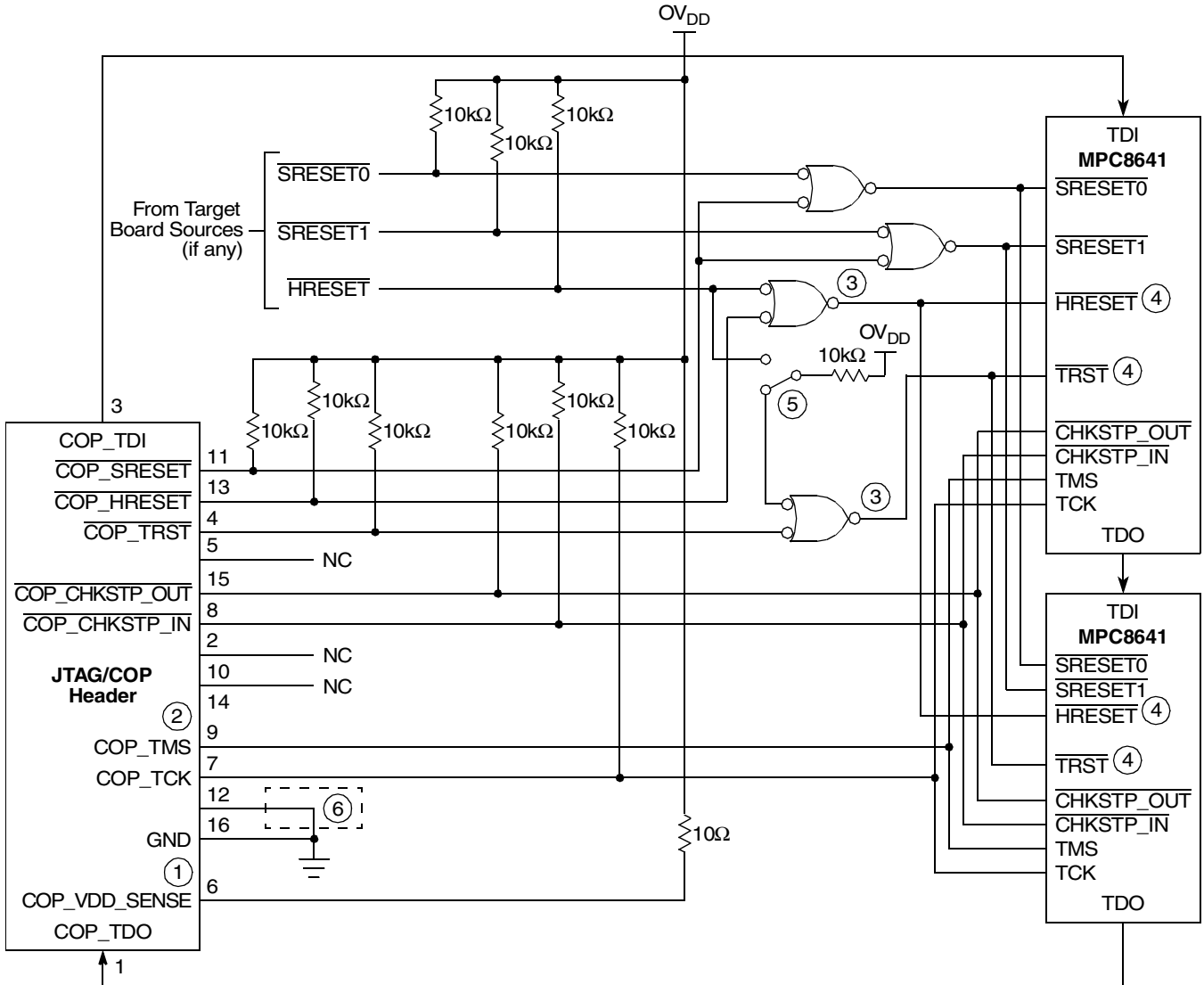
**Figure 67. COP Connector Physical Pinout**



**Notes:**

1. The COP port and target board should be able to independently assert  $\overline{\text{HRESET}}$  and  $\overline{\text{TRST}}$  to the processor in order to fully control the processor as shown here.
2. Populate this with a 10  $\Omega$  resistor for short-circuit/current-limiting protection.
3. The KEY location (pin 14) is not physically present on the COP header.
4. Although pin 12 is defined as a No-Connect, some debug tools may use pin 12 as an additional GND pin for improved signal integrity.
5. This switch is included as a precaution for BSDL testing. The switch should be open during BSDL testing to avoid accidentally asserting the  $\overline{\text{TRST}}$  line. If BSDL testing is not being performed, this switch should be closed or removed.

**Figure 68. JTAG/COP Interface Connection for one MPC8641 device**



**Notes:**

1. Populate this with a 10Ω resistor for short circuit/current-limiting protection.
2. KEY location; pin 14 is not physically present on the COP header.
3. Use a AND gate with sufficient drive strength to drive two inputs.
4. The COP port and target board should be able to independently assert  $\overline{\text{HRESET}}$  and  $\overline{\text{TRST}}$  to the processor in order to fully control the processor as shown above.
5. This switch is included as a precaution for BSDL testing. The switch should be open during BSDL testing to avoid accidentally asserting the  $\overline{\text{TRST}}$  line. If BSDL testing is not being performed, this switch should be closed or removed.
6. Although pin 12 is defined as a No-Connect, some debug tools may use pin 12 as an additional GND pin for improved signal integrity.

**Figure 69. JTAG/COP Interface Connection for Multiple MPC8641 Devices in Daisy Chain Configuration**

## 21 Ordering Information

Ordering information for the parts fully covered by this specification document is provided in [Section 21.1, “Part Numbers Fully Addressed by This Document.”](#)

## 21.1 Part Numbers Fully Addressed by This Document

Table 74 provides the Freescale part numbering nomenclature for the MPC8641. Note that the individual part numbers correspond to a maximum processor core frequency. For available frequencies, contact your local Freescale sales office. In addition to the processor frequency, the part numbering scheme also includes an application modifier which may specify special application conditions. Each part number also contains a revision code which refers to the die mask revision number.

**Table 74. Part Numbering Nomenclature**

MC	nnnn	x	xx	nnnn	x	x
Product Code	Part Identifier	Core Count	Package <sup>1</sup>	Core Processor Frequency <sup>2</sup> (MHz)	DDR speed (MHz)	Product Revision Level
MC	8641	Blank = Single Core D = Dual Core	HX = High-lead HCTE FC-CBGA VU = RoHS lead-free HCTE FC-CBGA	1000, 1250, 1333, 1500	N = 500 MHz <sup>4</sup> K = 600 MHz J = 533 MHz H = 500 MHz G = 400 MHz	Revision B = 2.0 System Version Register Value for Rev B: 0x8090_0020 - MPC8641 0x8090_0120 - MPC8641D  Revision C = 2.1 System Version Register Value for Rev C: 0x8090_0021 - MPC8641 0x8090_0121 - MPC8641D

**Notes:**

1. See Section 16, "Package," for more information on available package types.
2. Processor core frequencies supported by parts addressed by this specification only. Not all parts described in this specification support all core frequencies. Additionally, parts addressed by part number specifications may support other maximum core frequencies.
3. The P prefix in a Freescale part number designates a "Pilot Production Prototype" as defined by Freescale SOP 3-13. These parts have only preliminary reliability and characterization data. Before pilot production prototypes may be shipped, written authorization from the customer must be on file in the applicable sales office acknowledging the qualification status and the fact that product changes may still occur while shipping pilot production prototypes.
4. Part Number MC8641xx1000NX is our low  $V_{DD\_Core}$  device.  $V_{DD\_Core} = 0.95$  V and  $V_{DD\_PLAT} = 1.05$  V.

Table 75 shows the parts that are available for ordering and their operating conditions.

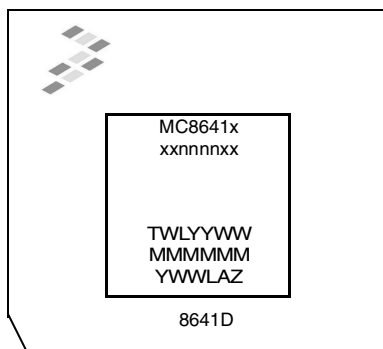
**Table 75. Part Offerings and Operating Conditions**

Part Offerings <sup>1</sup>	Operating Conditions
MC8641Dxx1500KX	Dual core Max CPU speed = 1500 MHz, Max DDR = 600 MHz Core Voltage = 1.1 volts
MC8641Dxx1333JX	Dual core Max CPU speed = 1333 MHz, Max DDR = 533 MHz Core Voltage = 1.05 volts
MC8641Dxx1250HX	Dual core Max CPU speed = 1250 MHz, Max DDR = 500 MHz Core Voltage = 1.05 volts
MC8641Dxx1000GX	Dual core Max CPU speed = 1000 MHz, Max DDR = 400 MHz Core Voltage = 1.05 volts
MC8641Dxx1000NX	Dual core MAX CPU speed = 1000 MHz, MAX DDR = 500 MHz Core Voltage = 0.95 volts
MC8641xx1500KX	Single core Max CPU speed = 1500 MHz, Max DDR = 600 MHz Core Voltage = 1.1 volts
MC8641xx1333JX	Single core Max CPU speed = 1333 MHz, Max DDR = 533 MHz Core Voltage = 1.05 volts
MC8641xx1250HX	Single core Max CPU speed = 1250 MHz, Max DDR = 500 MHz Core Voltage = 1.05 volts
MC8641xx1000HX	Single core Max CPU speed = 1000 MHz, Max DDR = 400 MHz Core Voltage = 1.05 volts
MC8641xx1000NX	Single core Max CPU speed = 1000 MHz, Max DDR = 500 MHz Core Voltage = 0.95 volts

<sup>1</sup> Note that the xx in the part marking represents the package option. The upper case "X" represents the revision letter. For more information see [Table 74](#).

## 21.2 Part Marking

Parts are marked as the example shown in [Figure 70](#).



**NOTE:**

TWLYYWW is the test code

MMMMMM is the MOO (mask) number.

YWWLAZ is the assembly traceability code.

**Figure 70. Part Marking for FC-CBGA Device**

## 22 Document Revision History

Table 76 provides a revision history for the MPC8641D hardware specification.

**Table 76. Document Revision History**

Revision	Date	Substantive Change(s)
1	11/2008	<ul style="list-style-type: none"> <li>• Added <a href="#">Section 4.4, "Platform Frequency Requirements for PCI-Express and Serial RapidIO"</a></li> <li>• Removed the statement "Note that core processor speed of 1500 MHz is only available for the MPC8641D (dual core)" from Note 2 in <a href="#">Table 74</a> because a 1500 MHz core is offered for both MPC8641D (dual core) and MPC8641 (single core).</li> <li>• Added Note 8 to <a href="#">Figure 57</a> and <a href="#">Figure 58</a>.</li> </ul>
0	07/2008	<ul style="list-style-type: none"> <li>• Initial Release</li> </ul>



**THIS PAGE INTENTIONALLY LEFT BLANK**

**THIS PAGE INTENTIONALLY LEFT BLANK**

**THIS PAGE INTENTIONALLY LEFT BLANK**

## **How to Reach Us:**

### **Home Page:**

www.freescale.com

### **email:**

support@freescale.com

### **USA/Europe or Locations Not Listed:**

Freescale Semiconductor  
Technical Information Center, CH370  
1300 N. Alma School Road  
Chandler, Arizona 85224  
1-800-521-6274  
480-768-2130  
support@freescale.com

### **Europe, Middle East, and Africa:**

Freescale Halbleiter Deutschland GmbH  
Technical Information Center  
Schatzbogen 7  
81829 Muenchen, Germany  
+44 1296 380 456 (English)  
+46 8 52200080 (English)  
+49 89 92103 559 (German)  
+33 1 69 35 48 48 (French)  
support@freescale.com

### **Japan:**

Freescale Semiconductor Japan Ltd.  
Headquarters  
ARCO Tower 15F  
1-8-1, Shimo-Meguro, Meguro-ku  
Tokyo 153-0064, Japan  
0120 191014  
+81 3 5437 9125  
support.japan@freescale.com

### **Asia/Pacific:**

Freescale Semiconductor Hong Kong Ltd.  
Technical Information Center  
2 Dai King Street  
Tai Po Industrial Estate,  
Tai Po, N.T., Hong Kong  
+800 2666 8080  
support.asia@freescale.com

### **For Literature Requests Only:**

Freescale Semiconductor  
Literature Distribution Center  
P.O. Box 5405  
Denver, Colorado 80217  
1-800-441-2447  
303-675-2140  
Fax: 303-675-2150  
LDCForFreescaleSemiconductor  
@hibbertgroup.com

Information in this document is provided solely to enable system and software implementers to use Freescale Semiconductor products. There are no express or implied copyright licenses granted hereunder to design or fabricate any integrated circuits or integrated circuits based on the information in this document.

Freescale Semiconductor reserves the right to make changes without further notice to any products herein. Freescale Semiconductor makes no warranty, representation or guarantee regarding the suitability of its products for any particular purpose, nor does Freescale Semiconductor assume any liability arising out of the application or use of any product or circuit, and specifically disclaims any and all liability, including without limitation consequential or incidental damages. "Typical" parameters which may be provided in Freescale Semiconductor data sheets and/or specifications can and do vary in different applications and actual performance may vary over time. All operating parameters, including "Typicals" must be validated for each customer application by customer's technical experts. Freescale Semiconductor does not convey any license under its patent rights nor the rights of others. Freescale Semiconductor products are not designed, intended, or authorized for use as components in systems intended for surgical implant into the body, or other applications intended to support or sustain life, or for any other application in which the failure of the Freescale Semiconductor product could create a situation where personal injury or death may occur. Should Buyer purchase or use Freescale Semiconductor products for any such unintended or unauthorized application, Buyer shall indemnify and hold Freescale Semiconductor and its officers, employees, subsidiaries, affiliates, and distributors harmless against all claims, costs, damages, and expenses, and reasonable attorney fees arising out of, directly or indirectly, any claim of personal injury or death associated with such unintended or unauthorized use, even if such claim alleges that Freescale Semiconductor was negligent regarding the design or manufacture of the part.

Freescale™ and the Freescale logo are trademarks of Freescale Semiconductor, Inc. The Power Architecture and Power.org word marks and the Power and Power.org logos and related marks are trademarks and service marks licensed by Power.org. All other product or service names are the property of their respective owners.

© Freescale Semiconductor, Inc., 2008.

Document Number: MPC8641DEC

Rev. 1  
11/2008

