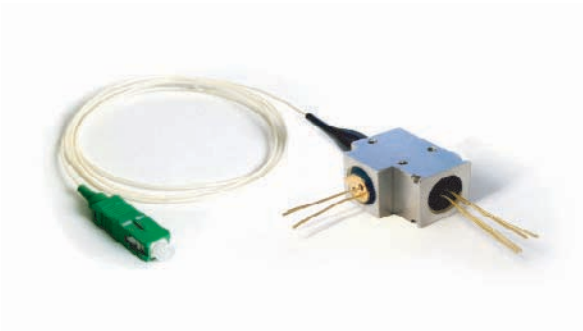


ODP-34-PE



Features

- Low cost 1310 FP TX design, 1490 nm receive
- High Isolation
- -40 to 85°C operation
- Multiple TIA versions for 155, 622, and 1250 Mbps applications
- Compliant to ITU-T G.GPON class c at 155Mbps and 622Mbps Tx
- Compliant to ITU-T G.GPON class B at 1250 Mbps

Absolute Maximum Ratings

Parameter	Min	Typical	Max	Units
Operating Temperature(case)	-40	-	85	°C
Storage Temperature	-40	-	85	°C

Module Requirements

Parameter	Min	Typical	Max	Units
1550 Enhancement Band to 1490 RX isolation ^a	29	-	-	dB
1310 TX to 1490 RX crosstalk	-	-	-47	dB
Back Reflection @ 1310 nm	-	-	-6	dB
Back Reflection @ 1550 nm	-	-	-20	dB
Back Reflection @ 1490 nm	-	-	-20	dB

^a With Enhancement Band block from 1535nm to 1565nm

Transmitter Requirements

Parameter	Symbol	Min	Typical	Max	Units
Wavelength	λ	1260	-	1360	nm
Spectral Width (RMS)	$\Delta\lambda$	-	2	3	nm
1/2 P _{peak} set point @ 25°C (GPON)	P _{set}	-	2.5	-	dBm
1/2 P _{peak} over temp and EOL(GPON)	P _{ave}	-1	-	4	dBm
Bias Current	I _{bias}	6	-	70	mA
Bias Current@EOL	I _{bias,EOL}	-	-	100	mA
Modulation Current ^c	I _{mod}	10	-	60	mA
PD Monitor Current	I _{PD,mon}	100	-	1000	μA
Forward Voltage	V _f	-	1.2	1.8	Volts
Rise/Fall Time ^b	tr/ta	-	-	0.5	ns
PD Monitor Dark Current	I _{PD,dark}	-	-	1	μA
PD Monitor Capacitance	C _{PD}	-	10	20	pF

^b 10% to 90%

^c Greater modulation current can be used for higher output powers

ODP-34-PE

Digital Receiver Characteristics (155 Mbps)

Parameter	Symbol	Min	Typical	Max	Units
Detection Wavelength	λ	1260	-	1360	nm
Gain differential	G	20	-	-	mV/ μ W
Supply Voltage	V_{CC}	3	5.0	5.5	V
Supply Current ($V_{CC}=5V$) ^a	I_{CC}	20	38	60	mA
Supply Current ($V_{CC}=3.3V$) ^a	I_{CC}	20	35	50	mA
High Frequency -3 dB point ^b	$f_{-3dB(h)}$	100	130	-	MHz
Single-ended output voltage(p-p) ^c	$V_{o(se)(p-p)}$	40	110	200	mV
Single-ended output resistance ^d	$R_{o(se)}$	36	44	57	Ohm

a) AC Coupled; $R_L = 50$ Ohmb) AC coupled; measured differentially; $C_i = 0.7$ pF; $R_L = 50$ Ohm; $T_j = 100^\circ\text{C}$ c) AC coupled; $R_L = 50$ Ohm; input current = $100 \mu\text{A}_{(p-p)}$

d) DC tested

Digital Receiver Characteristics (622 Mbps)

Parameter	Symbol	Min	Typical	Max	Units
Detection Wavelength	λ	1260	-	1360	nm
Gain differential	G	10	-	-	mV/ μ W
Supply Voltage	V_{CC}	3	5.0	5.5	V
Supply Current ($V_{CC}=5V$) ^a	I_{CC}	23	28	45	mA
Supply Current ($V_{CC}=3.3V$) ^a	I_{CC}	20	28	42	mA
High Frequency -3 dB point ($V_{CC}=5V$) ^b	$f_{-3dB(h)}$	450	580	750	MHz
High Frequency -3 dB point ($V_{CC}=3.3V$) ^b	$f_{-3dB(h)}$	440	520	600	MHz
Single -ended output voltage(p-p) ^c	$V_{o(se)(p-p)}$	75	200	330	mV
Single-ended output resistance ^d	$R_{o(se)}$	40	50	62	Ohm

a) AC coupled; $R_L = 50$ Ohmb) $C_i = 0.7$ pFc) AC coupled; $R_L = 50$ Ohm; input current = $100 \mu\text{A}_{(p-p)}$

d) DC tested

Digital Receiver Characteristics (1250 Mbps)

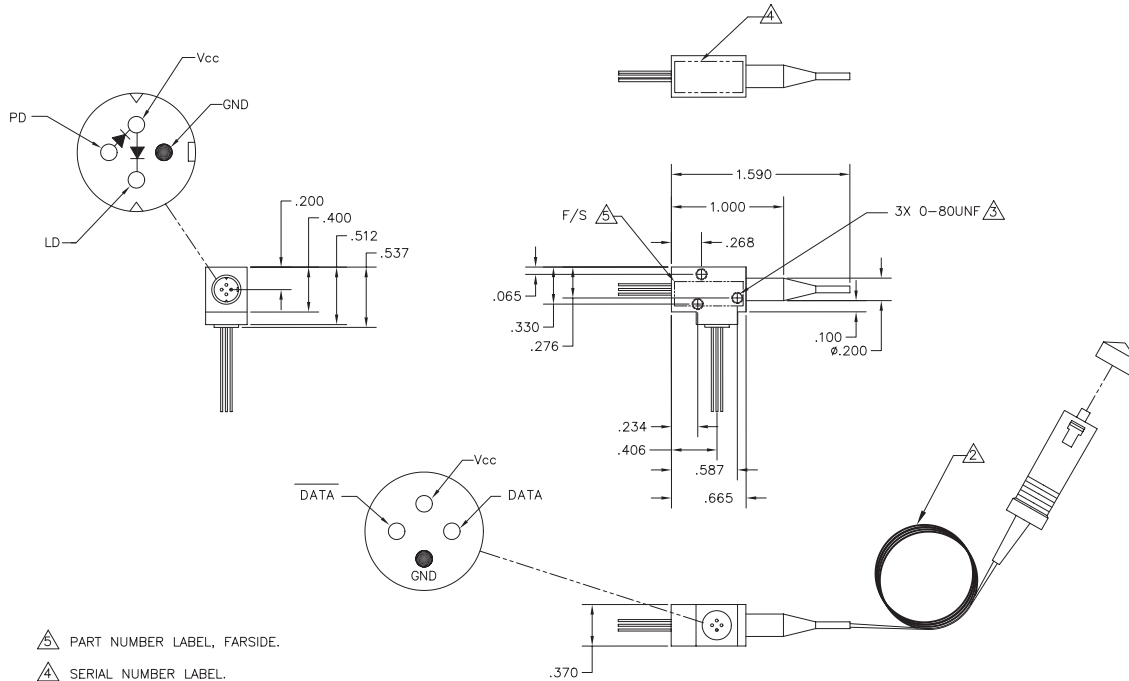
Parameter	Symbol	Min	Typical	Max	Units
Detection Wavelength	λ	1260	-	1360	nm
Gain differential	G	4	-	-	mV/ μ W
Supply Voltage	V_{CC}	3	5.0	5.5	V
Supply Current ^a	I_{CC}	-	34	47	mA
High Frequency -3 dB point ($V_{CC}=5V$) ^b	$f_{-3dB(h)}$	1000	1200	-	MHz
High Frequency -3 dB point ($V_{CC}=3.3V$) ^b	$f_{-3dB(h)}$	850	1100	-	MHz
Single -ended output voltage(p-p) ^c	$V_{o(se)(p-p)}$	75	200	330	mV
Single-ended output resistance ^d	$R_{o(se)}$	40	50	62	Ohm

a) AC coupled; $R_L = 50$ Ohmb) $C_i = 0.7$ pFc) AC coupled; $R_L = 50$ Ohm; input current = $100 \mu\text{A}_{(p-p)}$

d) Single-ended; DC tested

ODP-34-PE

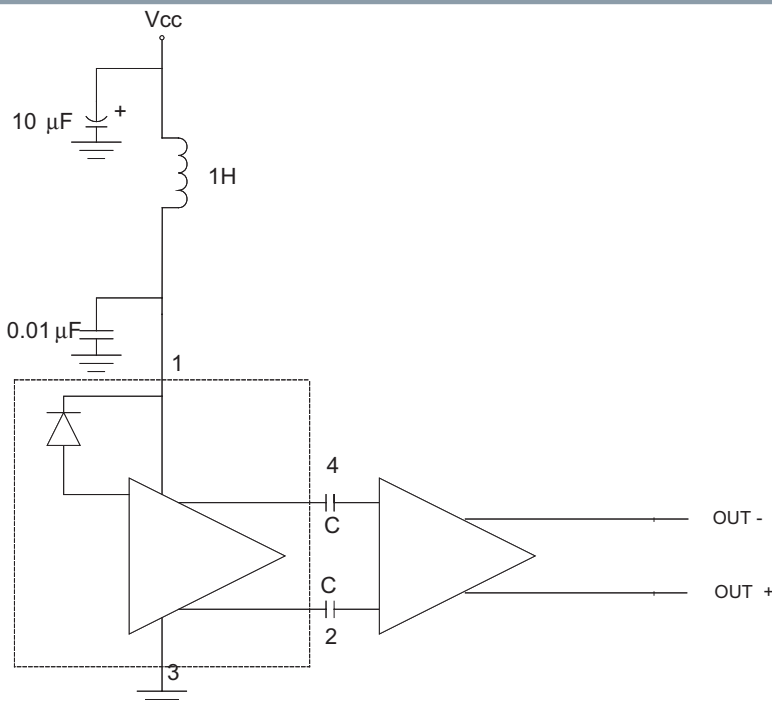
Outline Drawing



- ▲ PART NUMBER LABEL, FAR SIDE.
 - ▲ SERIAL NUMBER LABEL.
 - ▲ MAX TORQUE 2 IN/LBS.
 - ▲ 1.0 METER 900 μ M BUFFERED FIBER TERMINATED WITH SCA CONNECTOR OR UNLESS OTHERWISE SPECIFIED.
1. CUSTOMER MAKES ALL EXTERNAL CONNECTIONS TO FIBER COMPONENTS AND WIRING.

NOTES: UNLESS OTHERWISE SPECIFIED

Receiver Block Diagram



At 155 Mbps, C = 0.1 μ F
At 622 Mbps, C = 0.1 μ F
At 1250 Mbps, C = 0.022 μ F

Luminent Optical block

Customer Interface

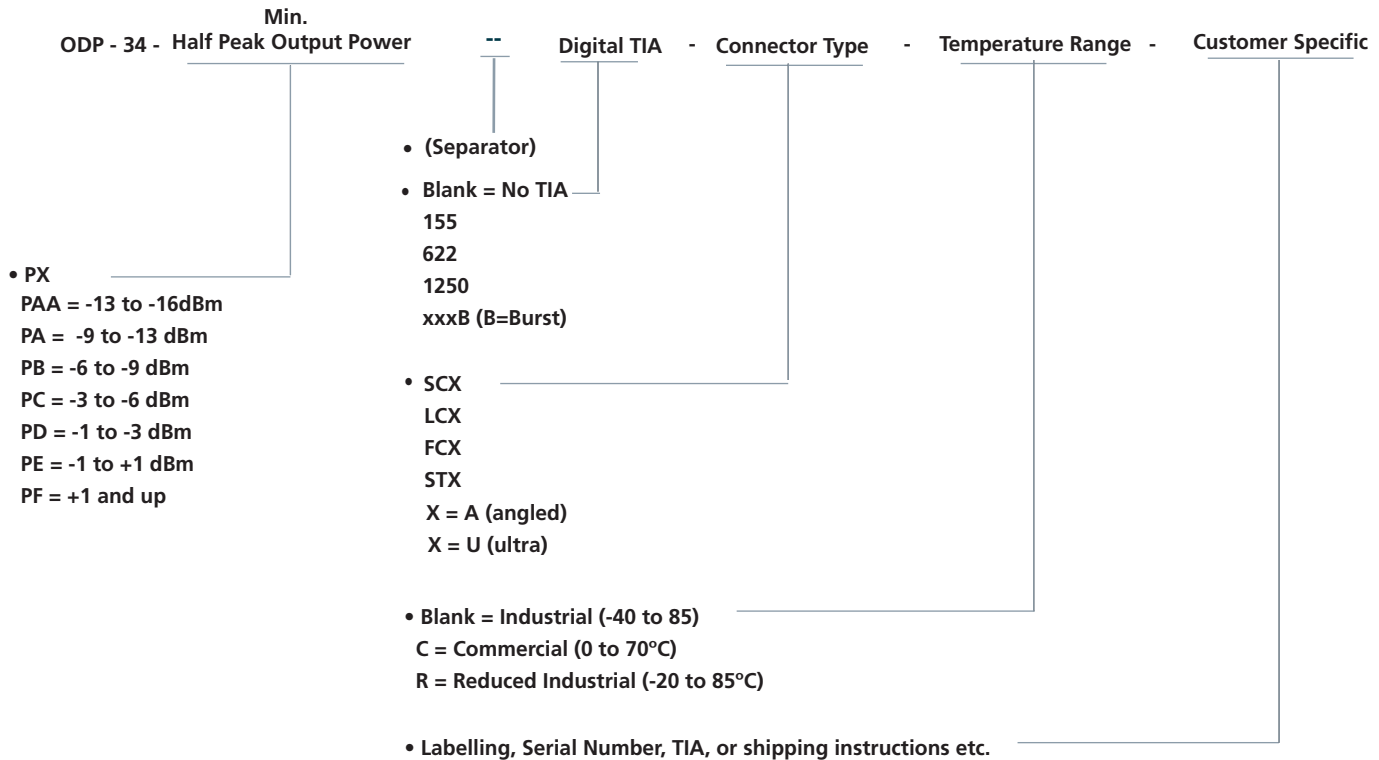
ODP-34-PE

Ordering Information

Available Options:

- ODP-34-PE--155x
- ODP-34-PE--622x
- ODP-34-PE--1250x

Part numbering Definition:



Warnings

Handling Precautions: This device is susceptible to damage as a result of electrostatic discharge (ESD). A static free environment is highly recommended. Follow guidelines according to proper ESD procedures.

Laser Safety: Radiation emitted by laser devices can be dangerous to human eyes. Avoid eye exposure to direct or indirect radiation.

Legal Notice

IMPORTANT NOTICE!

All information contained in this document is subject to change without notice, at Luminent's sole and absolute discretion. Luminent warrants performance of its products to current specifications only in accordance with the company's standard one-year warranty; however, specifications designated as "preliminary" are given to describe components only, and Luminent expressly disclaims any and all warranties for said products, including express, implied, and statutory warranties, warranties of merchantability, fitness for a particular purpose, and non-infringement of proprietary rights. Please refer to the company's Terms and Conditions of Sale for further warranty information.

Luminent assumes no liability for applications assistance, customer product design, software performance, or infringement of patents, services, or intellectual property described herein. No license, either express or implied, is granted under any patent right, copyright, or intellectual property right, and Luminent makes no representations or warranties that the product(s) described herein are free from patent, copyright, or intellectual property rights. Products described in this document are NOT intended for use in implantation or other life support applications where malfunction may result in injury or death to persons. Luminent customers using or selling products for use in such applications do so at their own risk and agree to fully defend and indemnify Luminent for any damages resulting from such use or sale.

THE INFORMATION CONTAINED IN THIS DOCUMENT IS PROVIDED ON AN "AS IS" BASIS. Customer agrees that Luminent is not liable for any actual, consequential, exemplary, or other damages arising directly or indirectly from any use of the information contained in this document. Customer must contact Luminent to obtain the latest version of this publication to verify, before placing any order, that the information contained herein is current.

© Luminent, Inc. 2002
All rights reserved