



## PDT28SM Series Single Digit 7 Segment 0.28" SMD Display

### Features

- \*Surface Mount Devise .28" (7.0mm) Digit Height
- \*InGaN Ultra Bright Blue Chips used
- \*Low Current Requirements
- \*Uniform Light Output
- \*IC Compatible
- \*High Reliability
- \*Gray Face, White Segments
- \*Tape & Reel 1k pcs
- \*RoHS Compliant

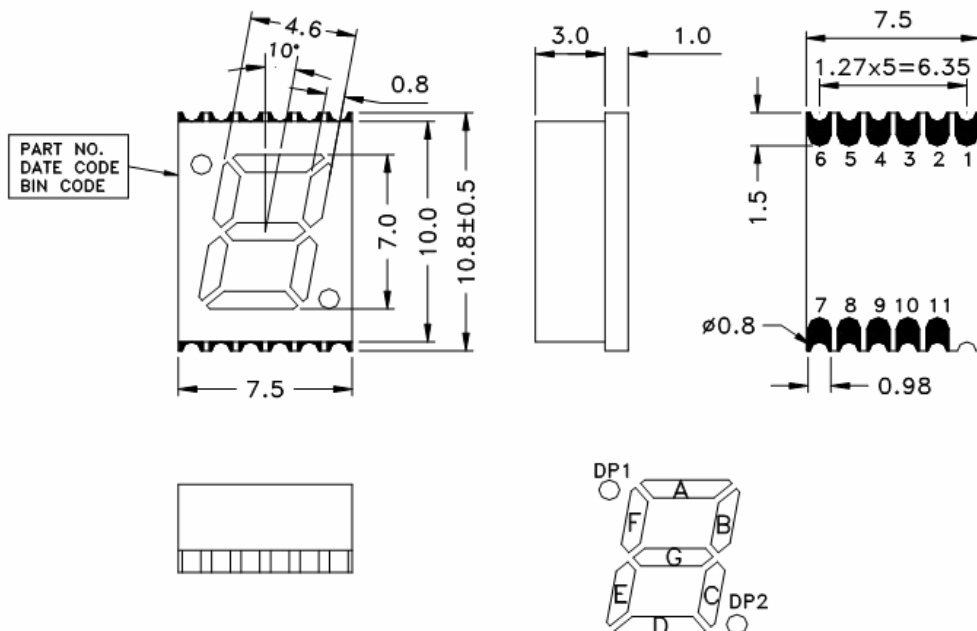
### Absolute Maximum Ratings at T<sub>A</sub> = 25°C

Power Dissipation per Segment.....	95mW
Reverse Voltage (<100 μA).....	5.0V
Max Forward Current.....	25mA
Peak Forward Current (1/10 Duty Cycle, 0.1ms Pulse Width).....	90mA
Operating Temperature Range.....	-40°C to +105°C
Storage Temperature Range.....	-40°C to +105°C
Soldering Temperature (1.6mm below body).....	260°C for 10 seconds

### Electrical & Optical Characteristics at T<sub>A</sub> = 25°C

Part Number		Emitting Color	Chip Material	Dominant Wave Length	Peak Wave Length	Forward Voltage @20mA (V)		Luminous Intensity @10mA (mcd)	
						Typ	Max	Min	Typ
Common Anode	Common Cathode			nm	nm				
PDT28SM-CADB17	PDT28SM-CCDB17	Blue	InGaN	470	—	3.3	3.8	5.0	11.0

All Dimensions are in **Millimeters**. Tolerance is ± 0.25mm unless otherwise specified.



Pin Function	
Common Anode Pin #	Common Cathode Pin #
1 Cathode G	1 Anode G
2 Cathode DP 1	2 Anode DP 1
3 Cathode F	3 Anode F
4 Com Anode	4 Com Cathode
5 Cathode A	5 Anode A
6 Cathode B	6 Anode B
7 Cathode DP 2	7 Anode DP 2
8 Cathode C	8 Anode C
9 Com Anode	9 Com Cathode
10 Cathode D	10 Anode D
11 Cathode E	11 Anode E