

POB17-12D-9733B-2 POB17-24D-9733B-2



Features

Size:	97 x 95 x 33 mm (3.88" x 3.8" x 1.32")
Tolerance:	± 0.5 mm
Airflow:	18 CFM
Lead Wire:	26 AWG (UL1061)
Impeller/Frame:	ABS/PBT Alloy
Motor:	Brushless DC Motor (Auto reset current shut down by detecting locked motor condition)
Bearings	Double Sealed Ball
RoHS:	Lead Free
Safety Approval:	UL, CSA



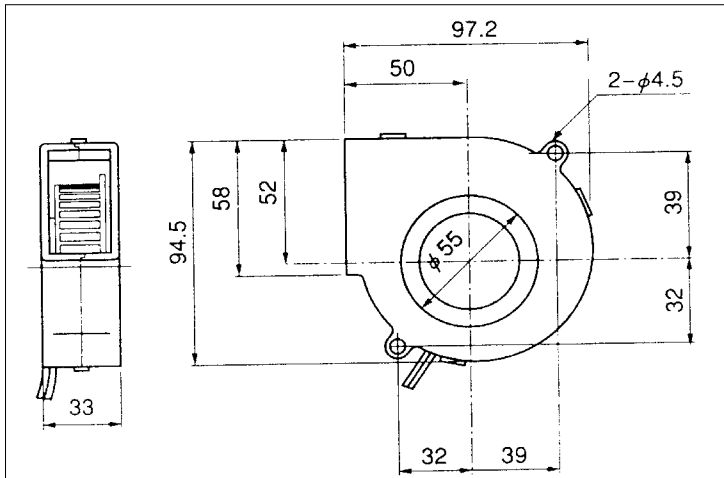
UL E101153



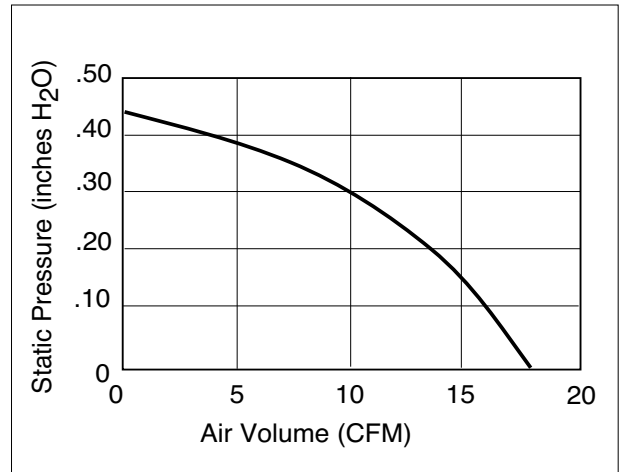
CSA LR62263

• RoHS Compliant

Dimensions – in mm



Air Flow vs Air Pressure



Performance

Type	Rated Voltage (V)	Applic. Voltage	CFM	Max. Air Pressure in mmH ₂ O	Rated				Operating Temp. (°C)	Life Expect. (Hr) @20C±15
					Speed rpm	Noise dBA	Input W	Current mA		
POB17-12D-9733B-2	12	±15	18	.46	2450	44	3.7	300	-20~ +60	60,000
POB17-24D-9733B-2	24	±15	18	.46	2450	44	3.7	150	-20~ +60	60,000

*Measured 1 m from intake

Product specifications contained herein may be changed without prior notice.

It is therefore advisable to contact Purdy Electronics before proceeding with the design of equipment incorporating this product.