

ISDN U-Interface Transformers

For both 2B1Q & 4B3T ISDN U-Interface Applications

Excellent Longitudinal Balance

Designed for use with leading Transceiver Chips

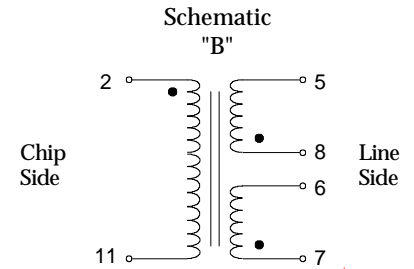
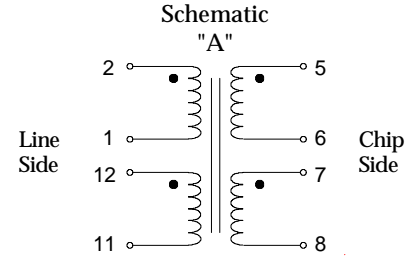
Meets key parameters of ANSI T1.601-1992

Isolation 2000V_{RMS} Minimum

Higher Isolation Models Available

Electrical Specifications at 25°C

Part Number	Turns Ratio (± 3%)	OCL ¹ ±6% Pri (mH)	Line Side Pins	¹ DCR max. (Ω)	² DCR max. (Ω)	DC Bias (mA)	Coding	Isolation (V _{RMS})	Schem. Style
T-13200	1:1	22	2-11	6.0	7.0	60	2B1Q	2000	A
T-13201	1:1.5	22	2-11	6.0	11.5	60	2B1Q	2000	A
T-13202	1:1.8	22	2-11	6.0	13.5	60	2B1Q	2000	A
T-13203	1:2	22	2-11	6.0	18.5	60	2B1Q	2000	A
T-13204	1:2.5	22	2-11	6.0	28	60	2B1Q	2000	A
T-13205	1.50:1	27.0	5-7	10.0	5.0	60	2B1Q	2000	B
T-13216	1.50:1	35.0	5-7	10.0	5.0	60	2B1Q	2000	B
T-13226	1.32:1	7.9	5-7	2.5	2.0	60	4B3T	2000	B
T-13227	1.65:1	14.5	5-7	3.0	2.0	80	2B1Q	2000	B
T-13229	1.60:1	14.5	5-7	3.5	3.0	60	2B1Q	2000	B
T-13230	1.50:1	14.5	5-7	3.0	2.0	60	2B1Q	2000	B
T-13231	2.0:1	27.0	5-7	7.0	3.0	80	2B1Q	2000	B



¹Line Side

²Device Side

NOTE: (For All Parts)

OCL Tested @10 kHz / 700 mV,

on Line Side

pins 1 & 12 shorted for Schem. "A";

pins 8 & 6 for Schem. "B."

Longitudinal Balance (2B1Q Coding)

281 Hz to 40 KHz 55 dB min.

> 40 KHz -20 dB/decade

Longitudinal Balance (4B3T Coding)

5 KHz 20 dB min.

20 KHz to 150 KHz 40 dB min.

1 MHz 36 dB min.

Return Loss

10 and 25 KHz 20 dB min.

Operating Temp. Range -40°C to +85°C

Primary is Line Side

Secondary is Chip Side

Surge Voltage Capability:

Metallic Voltage: 800 V peak, 10/700µS

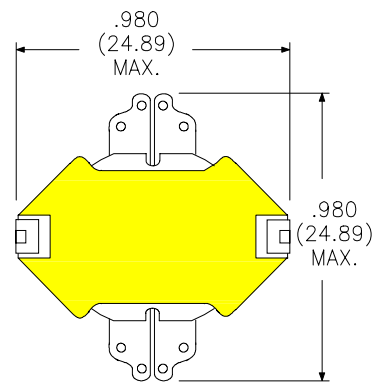
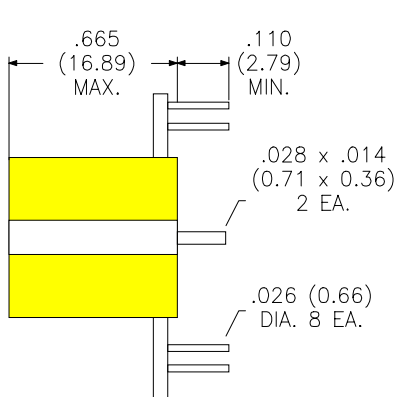
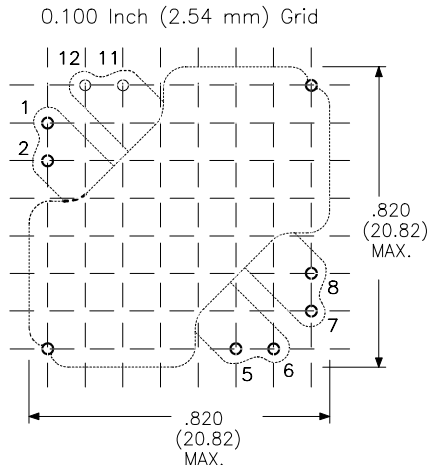
Longitudinal Voltage: 2400 V peak, 10/560µS

Manufacturer Name	I.C. Part Number	Transformer Part#
AMD	AM20902	T-13226
AMD	AM2091 (C)	T-13229
AT&T	T7262/63	T-13230
Mietec	MTC 2071	T-13226
Mitel	MT 8910	T-13227
Motorola	MC145472	T-13231
National	TP 3410	T-13205
Siemens	PEB 2090	T-13226
Siemens	PEB 2091 (C1)	T-13229
SGS-Thomson	ST5410	T-13205
SGS-Thomson	STLC5411	T-13216

For Complete Details including PDF Catalogs & Data Sheets on this and other product families visit

www.rhombus-ind.com

Package Physical Dimensions in inches (mm)



RM-8 Package

Specifications subject to change without notice.

For other values & Custom Designs, contact factory.

ISDN-URM - 10/97