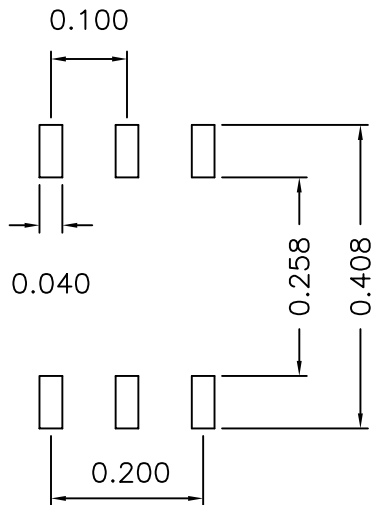
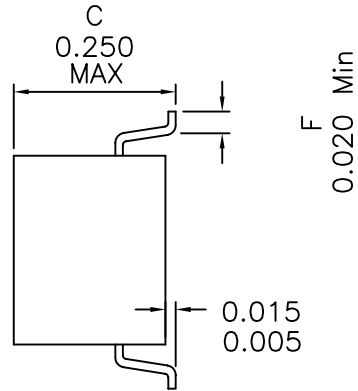
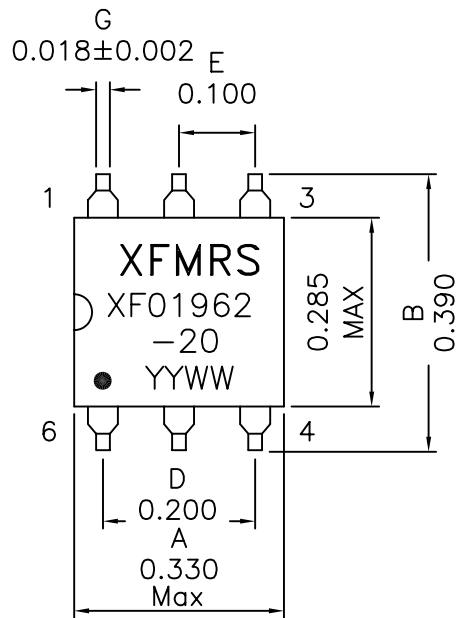


1. Mechanical Dimensions:

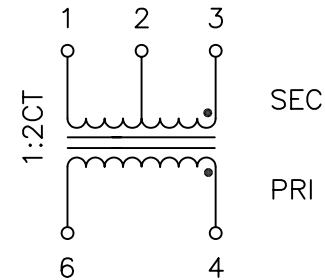


(Suggested Pad Layout)

Notes:

1. Solderability: Leads shall meet MIL-STD-202, Method 208D for solderability.
2. Flammability: UL94V-0
3. ASTM oxygen index: > 28%
4. Insulation System: Class F 155°C. UL file E151556
5. Operating Temperature Range: All listed parameters are to be within tolerance from -40°C to +85°C
6. Storage Temperature Range: -55°C to +125°C
7. Aqueous wash compatible
8. SMD Lead Coplanarity: $\pm 0.004'' (0.102\text{mm})$
9. Moisture Sensitivity: Level 2

2. Schematic:



3. Electrical Specifications:

OCL: Pins 4-6 19uH Min @100KHz 50mV

LL: Pins 4-6 0.06uH Max @1.0MHz 50mV, Short SEC

DCR: Pins 4-6 0.300 Ohms Max

DCR: Pins 3-1 0.250 Ohms Max

CW/W: Pins 4-3 10pF Max @1.0MHz 50mV

BANDWIDTH: 0.250-500MHz Typ with 75 Ohms System

TURNS RATIO: Pins (4-6):(3-2-1)=1:2CT $\pm 3\%$

HIPOT: 1500Vac, PRI to SEC

DOC REV: B/6

XFMRS Inc	Title: TRANSFORMERS	
	UNLESS OTHERWISE SPECIFIED TOLERANCES: .xxx ± 0.010 Dimensions in INCH	P/N: XF01962-20 REV. B
SHEET 1 OF 1	DWN.	李清儿 Jul-29-04
	CHK.	孙悦 Jul-29-04
	APP.	Isaiah M Jul-29-04