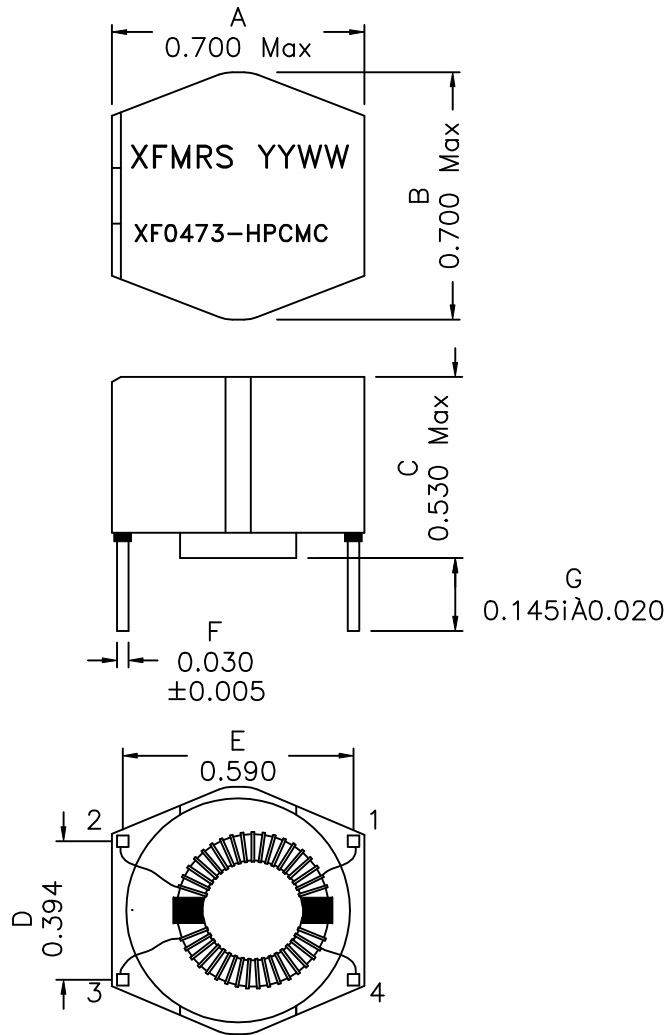
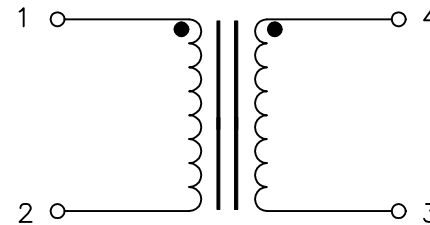


1. Mechanical Dimensions:



(BOTTOM VIEW)

2. Schematic:



3. Electrical Specifications: @25°C

OCL: 47mH+50-30% @100KHz 0.1V Each Wdg.

DCR.: 2.20 Ohms Max Each Wdg.

Rated Current: 0.3Amps

Isolation Voltage: 1500Vac, Wdg. to Wdg.

Notes:

1. Solderability: Leads shall meet MIL-STD-202, Method 208D for solderability.
2. Flammability: UL94V-0
3. ASTM oxygen index: > 28%
4. Insulation System: Class F 155°C. UL file E151556
5. Operating Temperature Range: All listed parameters are to be within tolerance from -40°C to +85°C
6. Storage Temperature Range: -55°C to +125°C
7. Aqueous wash compatible

XFMRS Inc.	Title: Common Mode Choke			
	UNLESS OTHERWISE SPECIFIED		P/N: XF0473-HPCMC	REV. A
TOLERANCES:	.xxx ±0.020		DWN.	李小锋
Dimensions in INCH			CHK.	廖玉坤
SHEET 1 OF 1			APP.	BW
				Oct-31-02
				Oct-31-02
				Oct-31-02

DOC. REV A/1