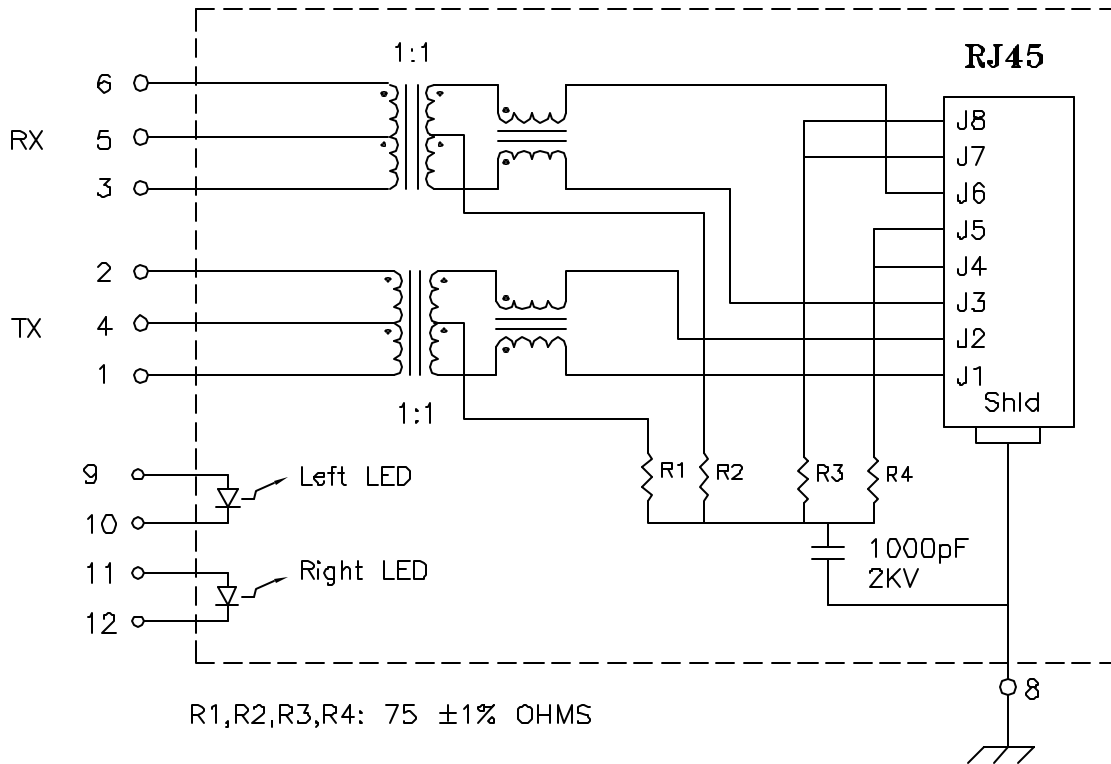


Schematic:

(One of Four)



Electrical Specifications: @25°C

Isolation Voltage: 1500 Vac

Isolation Voltage: 500 Vac (1+2+4-3+5+6)

UTP SIDE OCL: 350uH Min @100KHz 100mV 8mADC

Leakage Inductance: P6-P3 0.3uH Max @1MHz 100mV Short J6 and J3

Leakage Inductance: P2-P1 0.3uH Max @1MHz 100mV Short J2 and J1

Cww: (P6, P5, & P3) to (J6 & J3) 30pF Max @1MHz

Cww: (P2, P4, & P1) to (J2 & J1) 30pF Max @1MHz

DCR: (J6-J3) = (J2-J1) 1.2 Ohms Max

Rise Time (10-90%): 2.5ns Typ

Insertion Loss (100KHz-100MHz): -1.2dB Max

Return Loss: -18dB Min @1MHz - 30MHz

Return Loss: -12dB Min @60MHz - 80MHz

Crosstalk: 40dB Typ @1MHz to 100MHz

Common Mode to Differential Mode Rejection:

30MHz-100MHz -35dB Typ (Tx) / -35dB Typ (Rx)

Notes:

1. Solderability: Leads shall meet MIL-STD-202G, Method 208H for solderability.
2. Flammability: UL94V-0
3. ASTM oxygen index: > 28%
4. Insulation System: Class F 155°C. UL file E151556
5. Operating Temperature Range: All listed parameters are to be within tolerance from -40°C to +85°C
6. Storage Temperature Range: -55°C to +125°C
7. Aqueous wash compatible
8. Electrical and mechanical specifications 100% tested
9. RoHS Compliant Component
10. RJ45 contacts have 30u of gold plating.

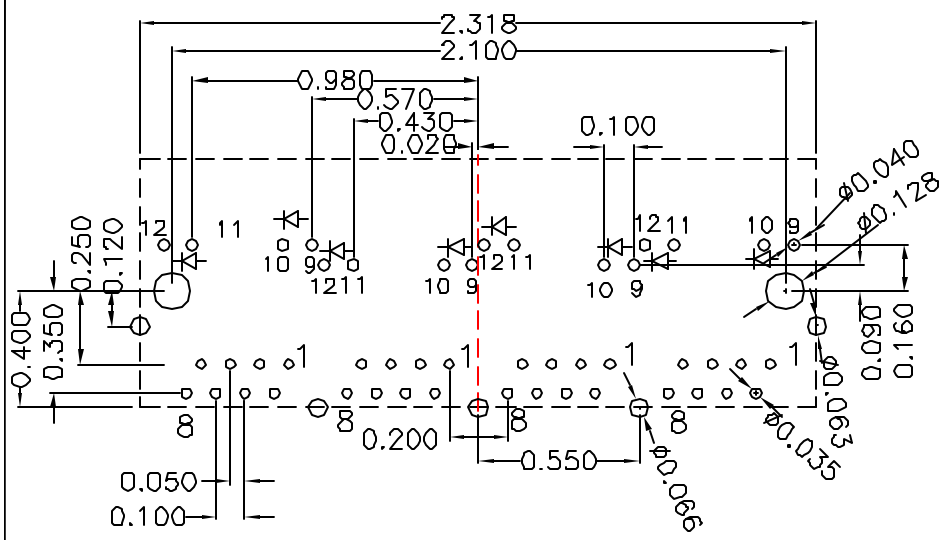
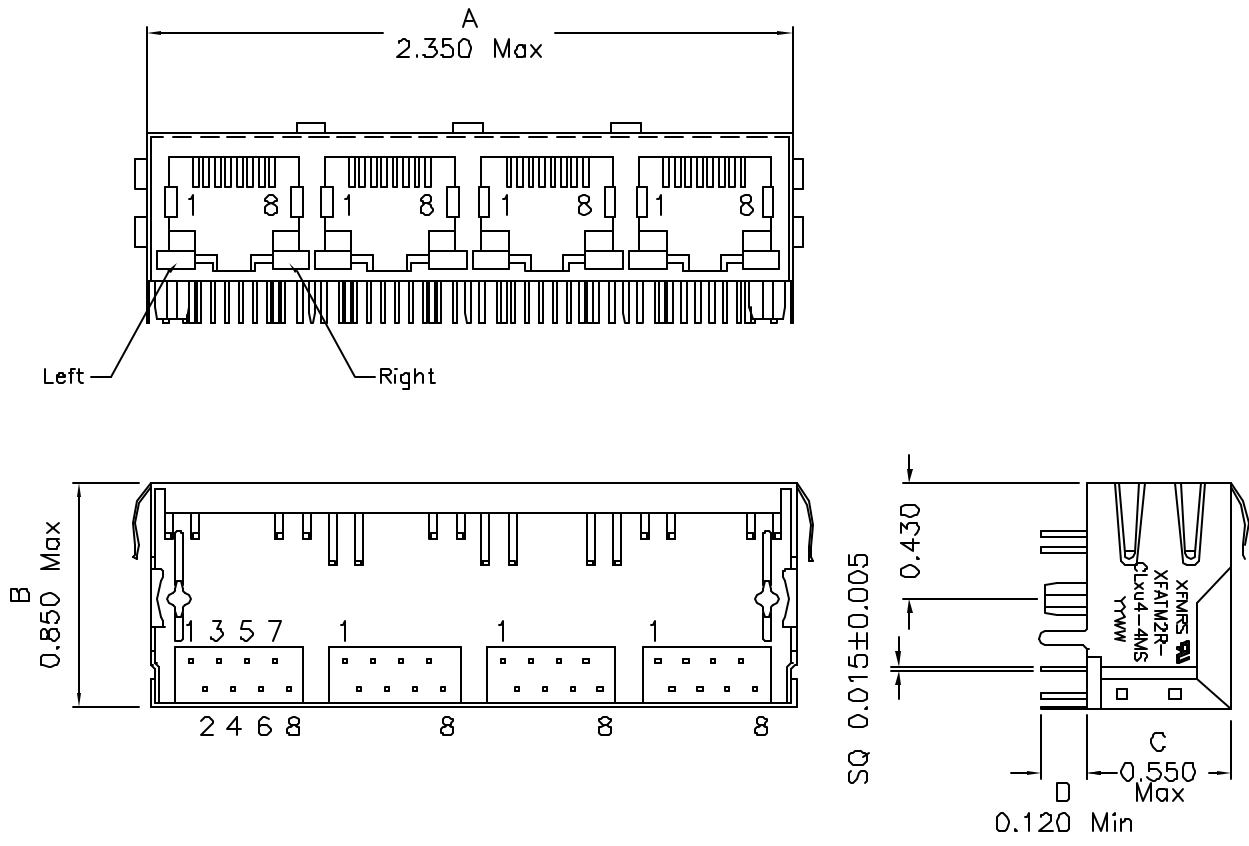
DOC REV: A/7

XFMRs Inc www.XFMRs.com	Title: FOUR PORT COMBO w/ LED's		
	UNLESS OTHERWISE SPECIFIED		P/N: XFATM2R-CLxu4-4MS
TOLERANCES: .xxx ±0.010	DWN.	Juan Mao	Apr-04-06
Dimensions in Inch	CHK.	YK Liao	Apr-04-06
SHEET 1 OF 2	APP.	Joe Huff	Apr-04-06

PROPRIETARY

Document is the property of XFMRs Group & is not allowed to be duplicated without authorization.

Mechanical Dimensions: (FOR CLxu4-4MS)



SUGGESTED MOUNTING PATTERN

XFMRS Inc www.XFMRS.com	Title: FOUR PORT COMBO w/ LED's		
	UNLESS OTHERWISE SPECIFIED	P/N: XFATM2R-CLxu4-4MS	REV. A
TOLERANCES: .xxx ±0.010	DWN.	Juan Mao	Apr-04-06
Dimensions in Inch	CHK.	YK Liao	Apr-04-06
SHEET 2 OF 2	APP.	Joe Huff	Apr-04-06

DOC REV: A/7

PROPRIETARY
 Document is the property of XFMRS Group & is not allowed to be duplicated without authorization.