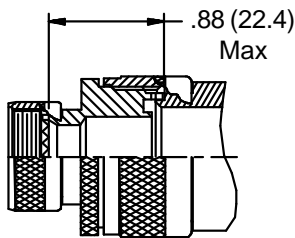
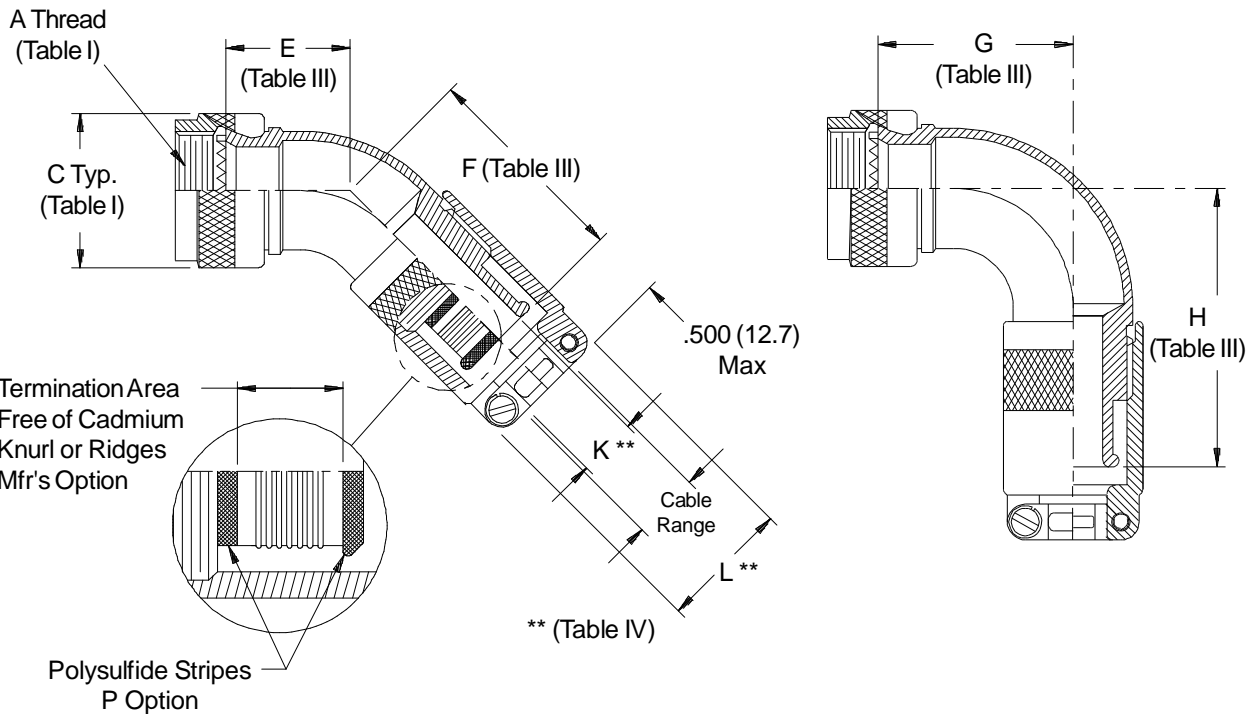
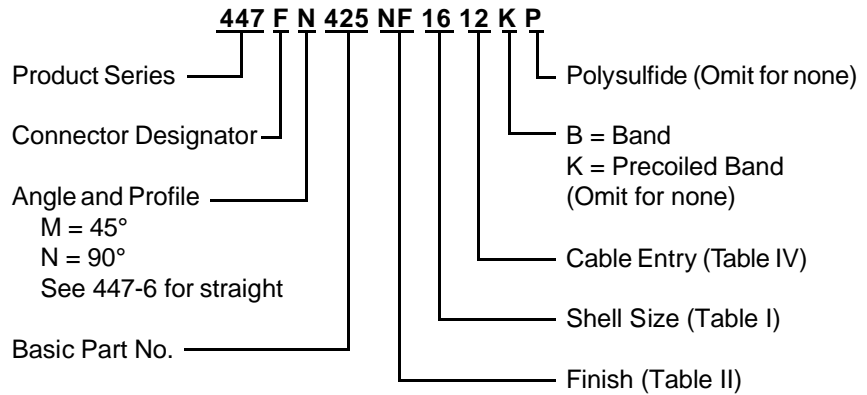
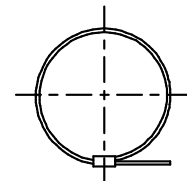


**CONNECTOR
DESIGNATORS
A-F-H-L-S
ROTATABLE
COUPLING**



**STYLE 2
(See Note 1)**



Band Option
(K Option Shown -
See Note 3)

See inside back cover fold-out or pages 13 and 14 for Tables I and II.

TABLE III: ELBOW DIMENSIONS									
Shell Size		E		F		G		H	
Conn. Desig.	A-F-L-S	H	Max	Max	Max	Max	Max	Max	Max
08	09	.817	(20.8)	1.057	(26.8)	1.125	(28.6)	1.375	(34.9)
10	11	.861	(21.9)	1.111	(28.2)	1.250	(31.8)	1.500	(38.1)
12	13	.911	(23.1)	1.161	(29.5)	1.375	(34.9)	1.625	(41.3)
14	15	.965	(24.5)	1.215	(30.9)	1.500	(38.1)	1.750	(44.5)
16	17	1.014	(25.8)	1.264	(32.1)	1.625	(41.3)	1.875	(47.6)
18	19	1.064	(27.0)	1.314	(33.4)	1.750	(44.5)	2.000	(50.8)
20	21	1.118	(28.4)	1.368	(34.7)	1.875	(47.6)	2.125	(54.0)
22	23	1.172	(29.8)	1.422	(36.1)	2.000	(50.8)	2.250	(57.2)
24	25	1.221	(31.0)	1.471	(37.4)	2.125	(54.0)	2.375	(60.3)

TABLE IV: CABLE RANGE								
Dash No.	K		L		Cable Range			
	±.030	±(.8)	Max	Max	Min	Max	Max	
10	.220	(5.6)	1.000	(25.4)	.130	(3.3)	.250	(6.4)
12	.310	(7.9)	1.250	(31.8)	.250	(6.4)	.380	(9.7)
14	.440	(11.2)	1.340	(34.0)	.310	(7.9)	.440	(11.2)
16	.560	(14.2)	1.470	(37.3)	.375	(9.5)	.630	(16.0)
18	.630	(16.0)	1.560	(39.6)	.560	(14.2)	.690	(17.5)
20	.750	(19.1)	1.620	(41.1)	.630	(16.0)	.750	(19.1)
22	.880	(22.4)	1.750	(44.5)	.750	(19.1)	.880	(22.4)
24	1.000	(25.4)	1.870	(47.5)	.880	(22.4)	1.000	(25.4)
28	1.060	(26.9)	1.970	(50.0)	1.000	(25.4)	1.130	(28.7)
32	1.190	(30.2)	2.090	(53.1)	1.130	(28.7)	1.250	(31.8)

1. When maximum cable entry (page 21) is exceeded, Style 2 will be supplied. Dimensions E, F, G, and H will not apply. Please consult factory.
2. Metric dimensions (mm) are indicated in parentheses.
3. Backshells supplied with 600-052-* band, see Glenair Series 600 Tool Catalog for installation.