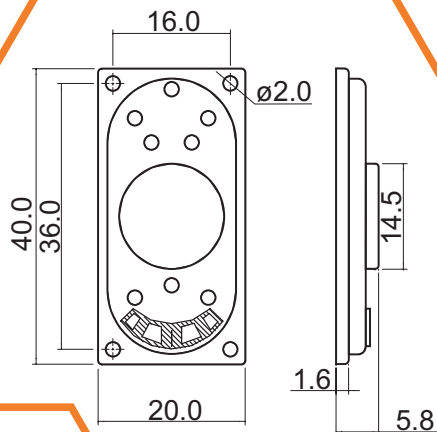
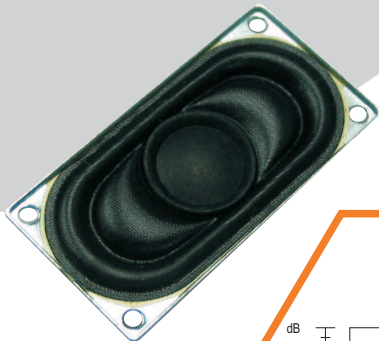


SoniCrest

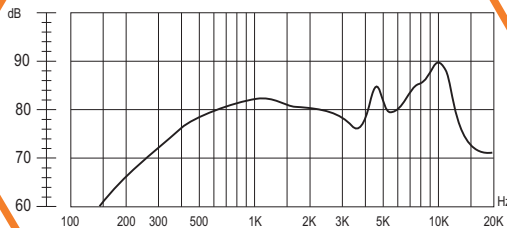
SPEAKER SOUND GENERATORS

HSP2040C



Dimension

Unit : mm
Tolerance : ± 0.3 mm



Frequency Response

Normalized to 0.5W Input Power and
1m Measuring Distance

- **Specification** (all data taken at 25°C unless otherwise specified)

Coil Impedance (Ω)	Rated Power (W)	Maximum Input Power (W)	Resonance Frequency (Hz)	★Frequency Range (Hz)	★sound Output at 1kHz (dB)	Operating Temperature (°C)	Storage Temperature (°C)
8 \pm 15%	2	3	400 \pm 20%	200 ~ 20000	83 \pm 3	-40 ~ +75	-40 ~ +75

HSP2040C-8

The specification are only for 8 Ω version. Specification for other impedance is available upon request.
★value normalized to 0.5W input power and 1m measuring distance.