



MKBPC10/15/25/35/50A SERIES

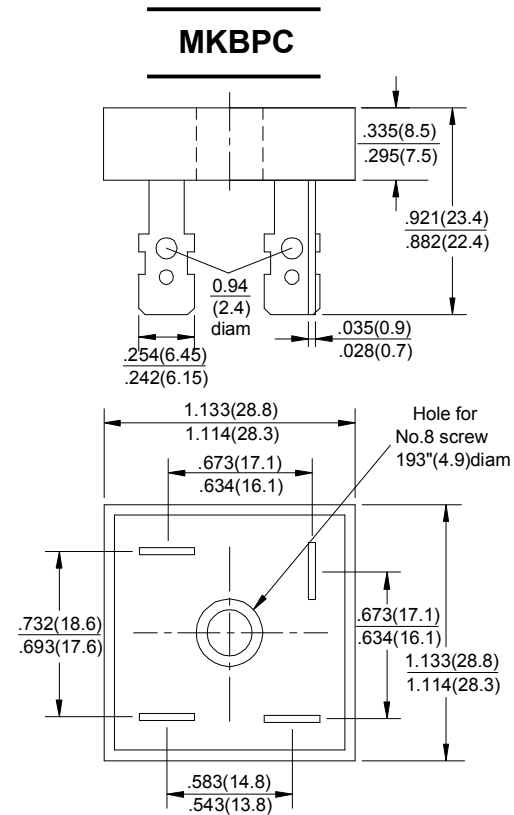
SILICON BRIDGE RECTIFIERS

REVERSE VOLTAGE - 50 to 1000Volts

FORWARD CURRENT - 10/15/25/35/50 Amperes

FEATURES

- Surge overload -240~500 Amperes peak
- Low forward voltage drop
- Mounting Position : Any
- Electrically isolated base -2000 Volts
- Solderable 0.25" FAST ON terminals
- Materials used carries U/L recognition



Dimensions in inches and (millimeters)

MAXIMUM RATINGS AND ELECTRICAL CHARACTERISTICS

Rating at 25°C ambient temperature unless otherwise specified.

Resistive or inductive load 60Hz.

For capacitive load current by 20%

| CHARACTERISTICS | SYMBOL | MKBPC | MKBPC | MKBPC | MKBPC | MKBPC | MKBPC | MKBPC | UNIT | | | |
|---|-------------------|-----------------|-------|-----------------|-------|-----------------|-------|-----------------|------|-----------------|-----|----|
| | | 10005 | 1001 | 1002 | 1004 | 1006 | 1008 | 1010 | | | | |
| | | 15005 | 1501 | 1502 | 1504 | 1506 | 1508 | 1510 | | | | |
| | | 25005 | 2501 | 2502 | 2504 | 2506 | 2508 | 2510 | | | | |
| | | 35005 | 3501 | 3502 | 3504 | 3506 | 3508 | 3510 | | | | |
| | | 50005 | 5001 | 5002 | 5004 | 5006 | 5008 | 5010 | | | | |
| Maximum Recurrent Peak Reverse Voltage | V _{RRM} | 50 | 100 | 200 | 400 | 600 | 800 | 1000 | V | | | |
| Maximum RMS Bridge Input Voltage | V _{RMS} | 35 | 70 | 140 | 280 | 420 | 560 | 700 | V | | | |
| Maximum Average Forward Rectified Output Current @T _c =55°C | I _(AV) | M KBPC 10 | 10 | M KBPC 15 | 15 | M KBPC 25 | 25 | M KBPC 35 | 35 | M KBPC 50 | 50 | A |
| Peak Forward Surge Current 8.3ms Single Half Sine-Wave Super Imposed on Rated Load | I _{FSM} | 10 | 240 | 15 | 300 | 25 | 400 | 35 | 400 | 50 | 500 | A |
| Maximum Forward Voltage Drop Per Element at 5.0/7.5/12.5/17.5/25.0A Peak | V _F | 1.1 | | | | | | | | | | V |
| Maximum Reverse Current at Rated DC Blocking Voltage Per Element @T _J =25°C | I _R | 10 | | | | | | | | | | μA |
| Operating Temperature Range | T _J | -55 to +125 | | | | | | | | | | °C |
| Storage Temperature Range | T _{STG} | -55 to +150 | | | | | | | | | | °C |

NOTES: Also available on KBPC 10W/15W/25W/35W/50W series.

FIG.1-MAXIMUM FORWARD SURGE CURRENT

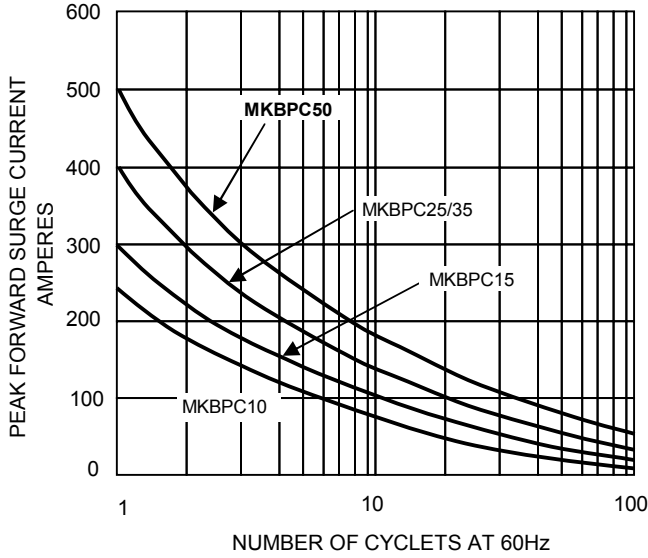


FIG.2- DERATING CURVE
 OUTPUT RECTIFIED CURRENT

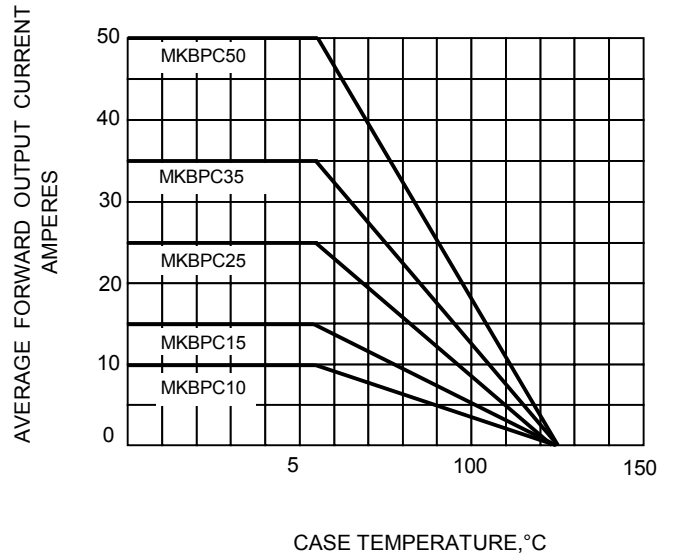


FIG.3-TYPICAL FORWARD CHARACTERISTICS

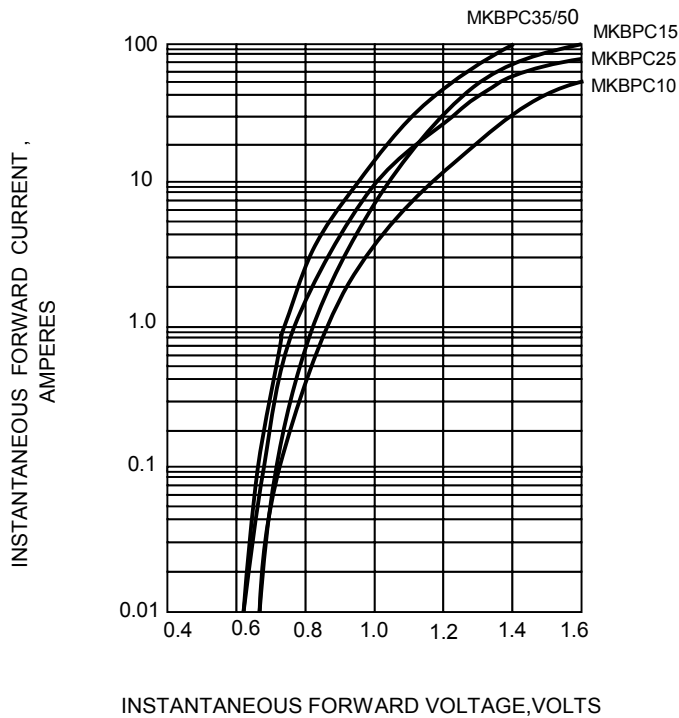


FIG.4-TYPICAL REVERSE CHARACTERISTICS

