



## DESCRIPTION

The PT2329 is a 2-ch electronic volume with tone and surround IC for Mini Combo. It has a 6-input selector, Bypass/tone/tone & surround, input gain control and 2ch master volume. It can control all of these functions with I<sup>2</sup>C Interface.

## FEATURES

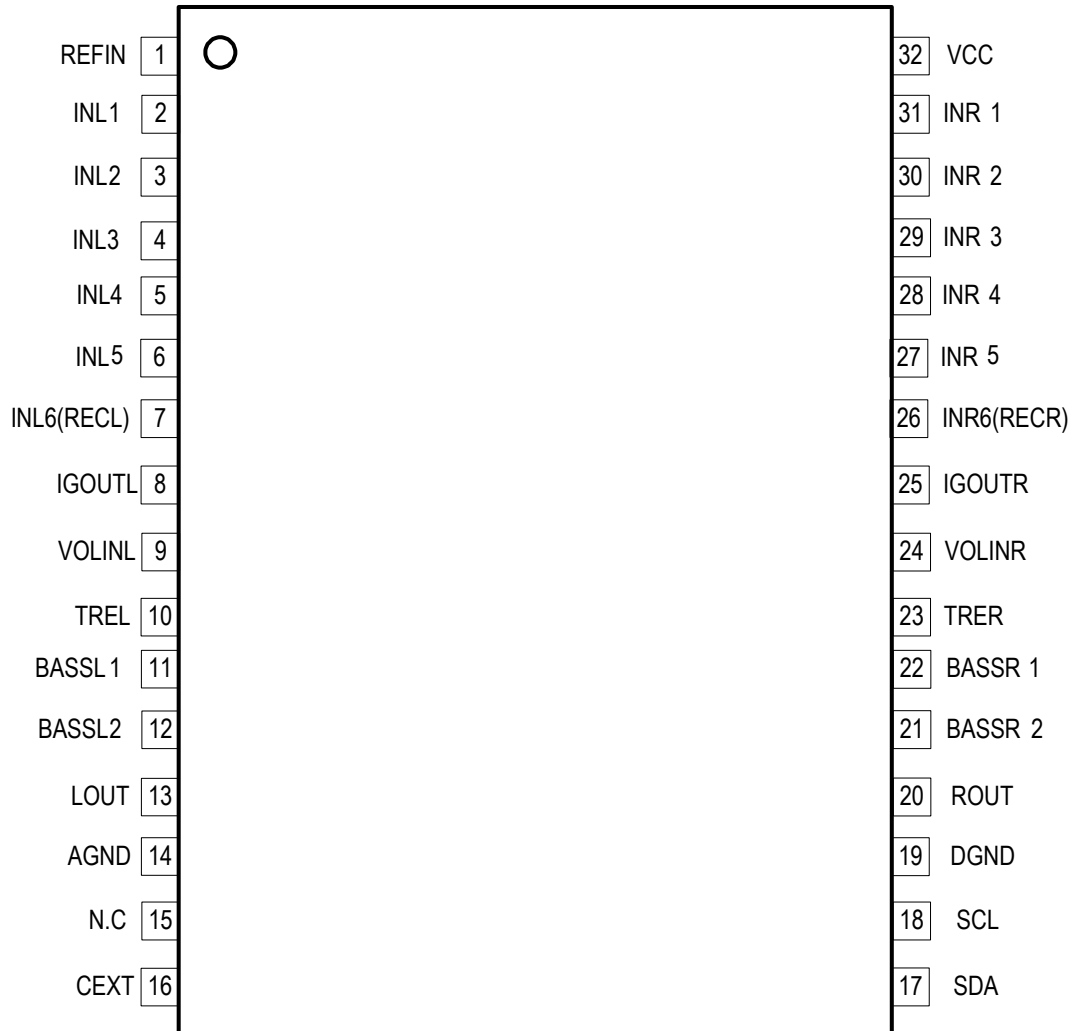
- Supply voltage: Vcc=9V (typ.)
- Volume: 0~-87dB, -∞/1dB step, each channels are independence control.
- Input selector: 6 stereo input selector include 1 REC output of 0/-2dB + Mute
- Input gain control: 0dB~+12dB/1dB step
- Tone control:
  - Bass: -15dB~+15dB/1dB step
  - Treble: -15dB~+15dB/1dB step
- Surround: Surround <Low/High>
- Mode selector: Bypass/Tone/Tone & Surround
- Built-in de-pop function.
- I<sup>2</sup>C interface: 2 ports serial control

## APPLICATION

- Mini Combo

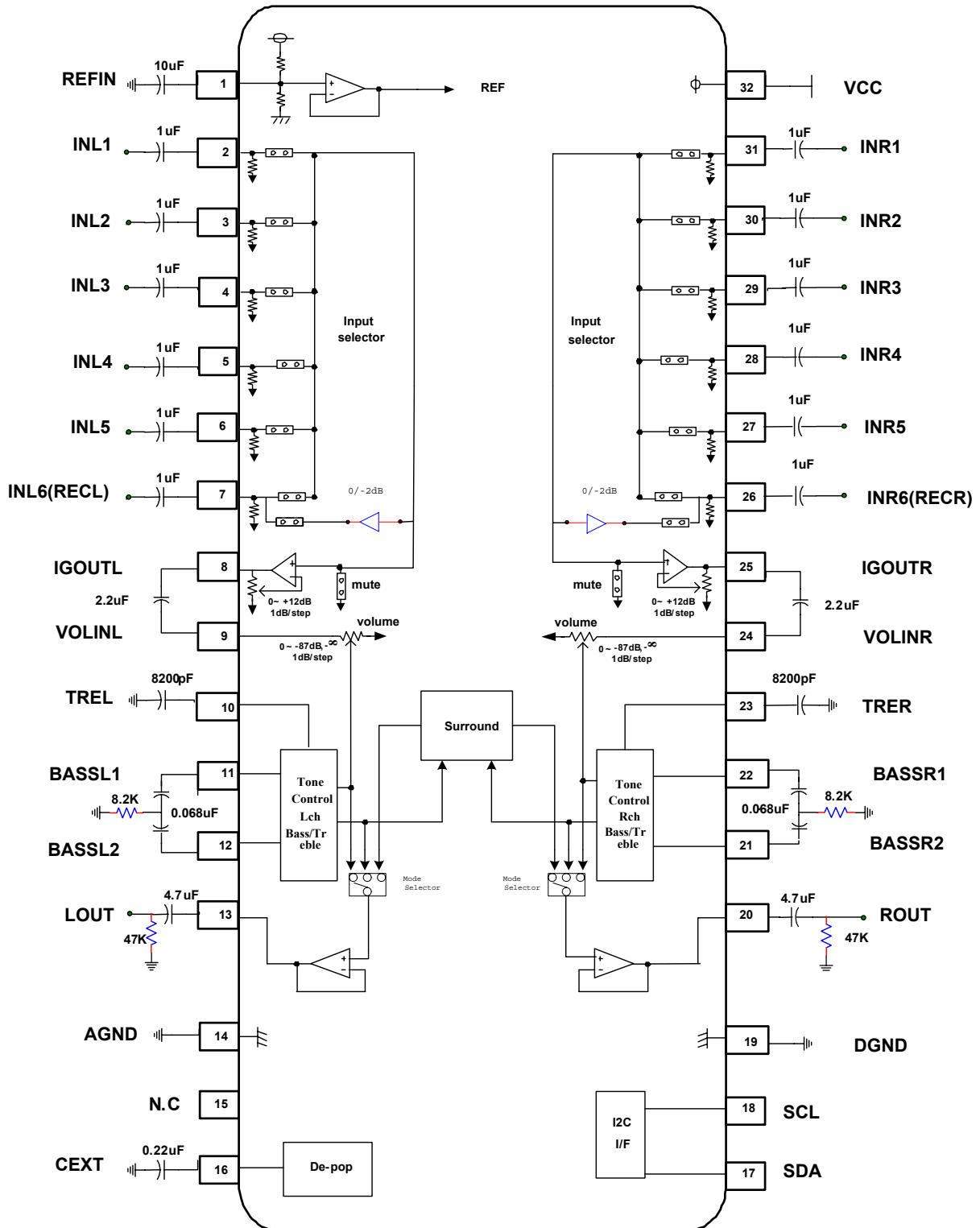


## PIN CONFIGURATION





# APPLICATION EXAMPLE





## ORDER INFORMATION

Valid Part Number	Package Type	Top Code
PT2329	32 Pins, SOP, 300MIL	PT2329