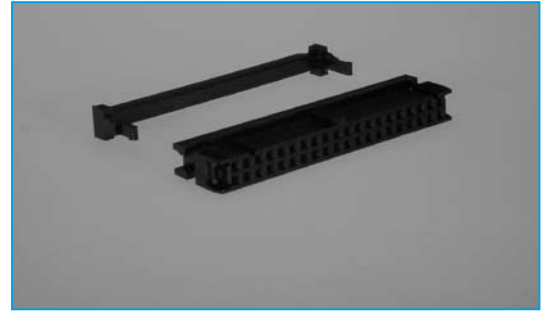


IDC

- Industry Compatible
- Competitively Priced
- Complete with Strain Relief and Centre Bump
- Gold Plated Contacts
- 2.54mm Pitch

IDC CABLE SOCKET



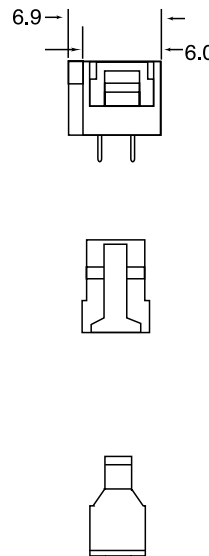
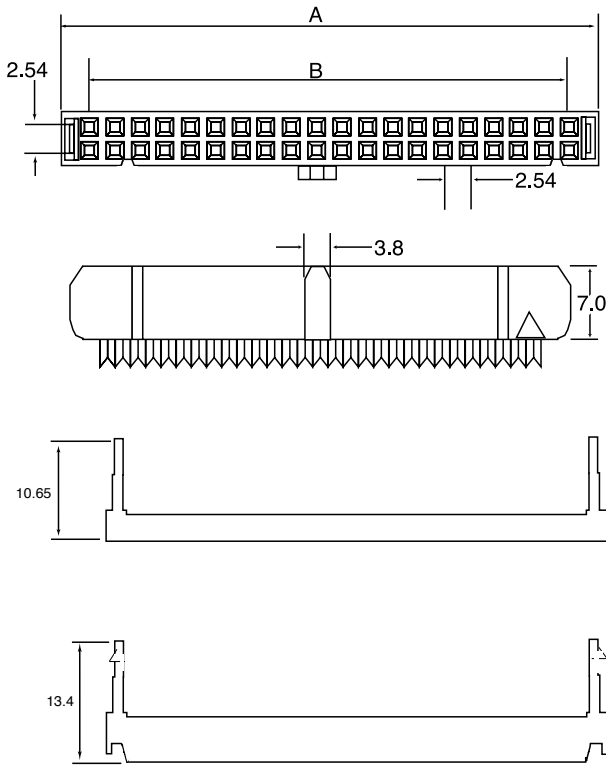
SPECIFICATION

Material & Finish

Contact Material:	Brass
Insulator Material:	PBT & Glass-Fibre Reinforced UL-94V-0
Current Rating:	1 A DC
Contact Resistance:	30M Ω Max

Insulator Resistance:	3000M Ω Min
Dielectric Withstanding	
Voltage:	500V AC for One Minute
Operating Temperature:	-40°C to + 105°C

OUTLINE DRAWING



Position	A	B
6	12.18	5.08
8	14.72	7.62
10	17.26	10.16
12	19.80	12.70
14	22.34	15.24
16	24.88	17.78
20	29.96	22.86
24	35.04	27.94
26	37.58	30.48
30	42.66	35.56
34	47.74	40.64
36	50.28	43.18
40	55.36	48.26
44	60.44	53.34
50	68.06	60.96
56	75.68	68.58
60	80.76	73.66
62	83.30	76.20
64	85.84	78.74

SECTION 15

ORDERING INFORMATION

DBC	IDC	2	06	A	S	1
Dubilier Connectors	IDC Connector	Series	N° of Ways	Contact Material	Contact Plating	Colour
			06=6way 08=8way 10=10way 12=12way 14=14way 16=16way 20=20way 24=24way 26=26way 30=30way	A=Brass	S= Selective Gold	1=Black 2 = Grey
			34=34way 36=36way 40=40way 44=44way 50=50way 56=56way 60=60way 62=62way 64=64way			