

Preliminary

DRA100 SERIES



AC - DC DIN RAIL MOUNTABLE
INDUSTRIAL CONTROL EQUIPMENT

FEATURES

- AC/DC POWER MODULE
- UNIVERSAL INPUT 90~264VAC
- HIGH EFFICIENCY UP TO 88%
- SHORT CIRCUIT PROTECTION
- INTERNAL INPUT FILTER
- 2 YEARS WARRANTY

SELECTION CHART

DRA 100 - 24 x

Wattage ————
 12 : 12V OUT
 24 : 24V OUT
 48 : 48V OUT

——— A: SCREW TERMINAL TYPE
 AL: CLASS 2 POWER (24V ONLY)

MODEL LIST

MODEL NO.	INPUT VOLTAGE	OUTPUT WATTAGE	OUTPUT VOLTAGE	OUTPUT CURRENT	EFF. (min.)	EFF. (typ.)
Single Output Models						
DRA100-12A	90~264 VAC	100.8 WATTS	+ 12 VDC	8400 mA	82%	84%
DRA100-24A	90~264 VAC	100.8 WATTS	+ 24 VDC	4200 mA	84%	86%
DRA100-24AL	90~264 VAC	91.2 WATTS	+ 24 VDC	3800 mA	83%	85%
DRA100-48A	90~264 VAC	100.8 WATTS	+ 48 VDC	2100 mA	86%	88%

SPECIFICATION

All Specifications Typical At Nominal Line, Full Load, 25°C Unless Otherwise Noticed

GENERAL						
Characteristics	Conditions	min.	typ.	max.	unit	
Isolation voltage	Input / Output	3,000			VAC	
Isolation resistance	Input / Output, @ 500VDC	100			MΩ	
Ambient temperature	Operating at Vi nom	-25		+ 71	°C	
Derating	Vi nom, from +61°C to +71°C			2.5	% / °C	
Storage temperature	Non operational	-25		+ 85	°C	
Relative humidity	Vi nom, Io nom	20		95	% RH	
Dimension	Screw terminal type	L90 x W54 x D113.5			mm	
Cooling	Free air convection					
Case material	Plastic					



SPECIFICATION

All Specifications Typical At Nominal Line, Full Load, 25°C Unless Otherwise Noticed

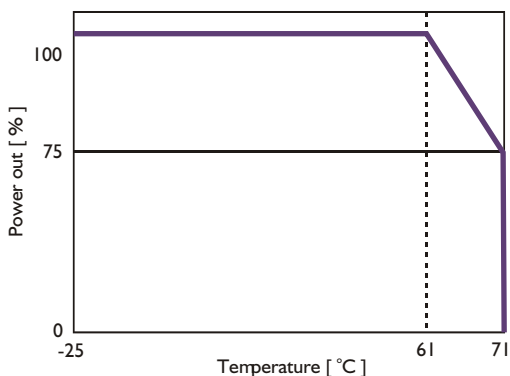
INPUT SPECIFICATIONS

Characteristics	Conditions	min.	typ.	max.	unit
Rated input voltage	Io nom	100		240	VAC
Input voltage range	Ta min ... Ta max, Io nom	90		264	VAC
		120		375	VDC
Line frequency	Vi nom, Io nom	47		63	Hz
Inrush current	Io nom	Vi : 115VAC		30	A
		Vi : 230VAC		60	A

OUTPUT SPECIFICATIONS

Characteristics	Conditions	min.	typ.	max.	unit
Output voltage accuracy (Adjusted before shipment)	Vi nom, Io min ... Io nom	-0		±1	%
Minimum load	Vi nom	0			%
Line regulation	Io nom, Vi min ... Vi max			±1	%
Load regulation	Vi nom, Io min ... Io nom			±1	%
Hold up time	Io nom	Vi : 115VAC	15		ms
		Vi : 230VAC	30		ms
Temperature coefficient	Vi nom, Io min			±0.02	% / °C
Ripple & noise	Vi nom, Io nom, BW = 20MHz			50	mV
Voltage trim range	Vi nom, Wo=96W max	12V model	11.4	14.5	VDC
	Vi nom, Wo=100.8W max	24V model	22.5	28.5	VDC
	Vi nom, Wo=91.2W max	24AL model	22.5	24.5	VDC
	Vi nom, Wo=100.8W max	48V model	47	56	VDC
DC ON indicator / DC low indicator threshold at start up	Vi nom, Io nom	12V model	10	11.2	VDC
		24V model	17.6	19.4	VDC
		48V model	37	43	VDC
Efficiency	Vi nom, Io nom, Po / Pi	Up to 88% , see model list			

DERATING



SPECIFICATION

All Specifications Typical At Nominal Line, Full Load, 25°C Unless Otherwise Noticed

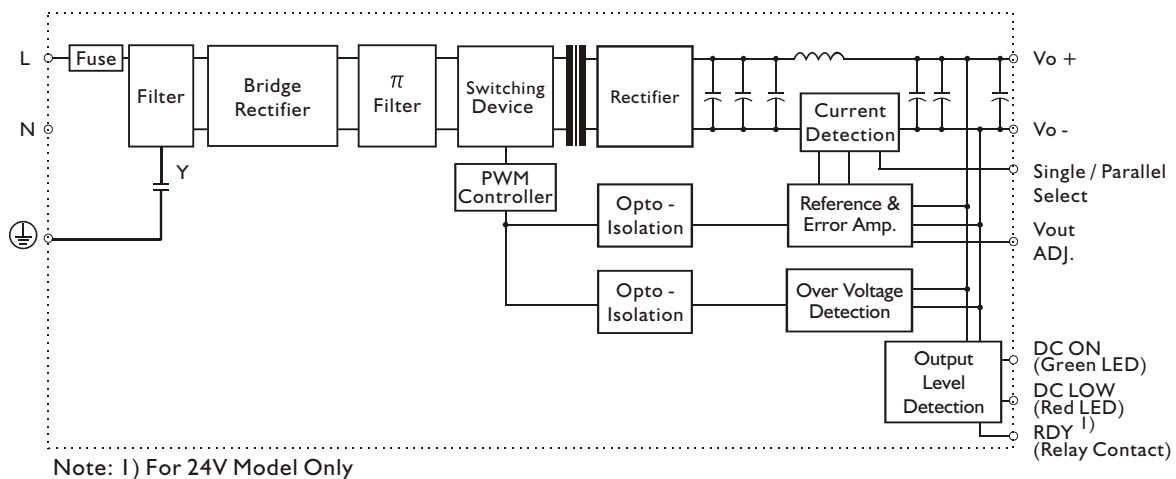
CONTROL AND PROTECTION					
Characteristics	Conditions	min.	typ.	max.	unit
Input fuse		T3.15A / 250VAC internal			
Rated over load protection	Vi nom	110		140	%
	24L model	102		108	%
Over voltage protection	Vi nom, Io nom	12V model	14.5	17.4	VDC
		24V model	30	33	VDC
		24AL model	24.5	25.5	VDC
		48V model	60	66	VDC
Output short circuit	Vi nom, Io nom	Current limited			
Power Rdy (for 24V model only)	Threshold voltage of contact closed(at start up)	17.6		19.4	VDC
	Electrical isolation	500			VDC
	Contact rating at 60VDC			0.3	A

APPROVALS AND STANDARDS

UL / cUL	UL508 Listed UL1310 Class 2 power supply (24L model only), UL60950-1 Recognized
TUV	EN60950-1
CE	EN61000-6-3, EN55022 Class B EN61000-3-2, EN61000-3-3 EN61000-6-2, EN55024 EN61204-3

CIRCUIT SCHEMATIC

• Block diagram for DRA100 series

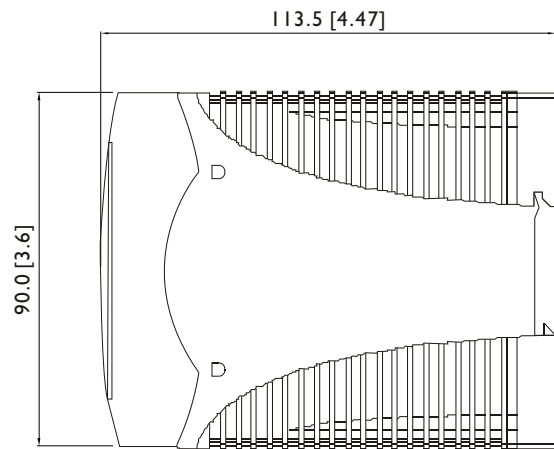
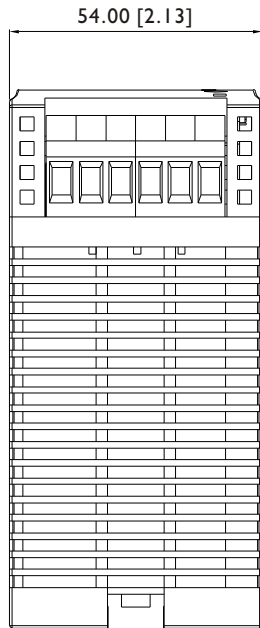
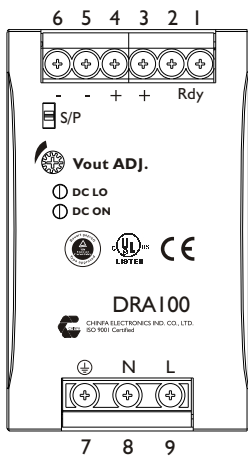


PHYSICAL CHARACTERISTICS

CASE SIZE	90 x 54 x 113.5 mm (3.6 x 2.13 x 4.47 inches)
WEIGHT	450g

MECHANISM & PIN CONFIGURATION

mm [inch]



CONSTRUCTION

Easy snap-on mounting onto the DIN-Rail (TS35/7.5 or TS35/15), unit sits safely and firmly on the rail; no tools required even to remove

INSTALLATION

Ventilation / Cooling
 Normal convection
 All sides 25mm free space
 For cooling recommended
 Connector size range
 Solid: 0.2-2.0mm² (AWG24-14)
 (use copper conductors only)

PIN ASSIGNMENT

PIN NO.	Designation	Description
1	RDY	A normal open relay contact for DC ON level control (Only for 24V model)
2	OUT	Vo+
3		Vo+
4		Vo-
5		Vo-
6	IN	⊕
7		N
8		L
9	OTHER	Vout ADJ.
		DC ON
		DC Lo
		S/P