

EPI BH44 Series

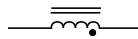


- Low loss material ensures operation in high frequency switching converters, such as Buck, Boost or as output averaging filter inductor
- Also suitable for use in high quality filter applications
- 250 KHz & 500 KHz Switching Frequency

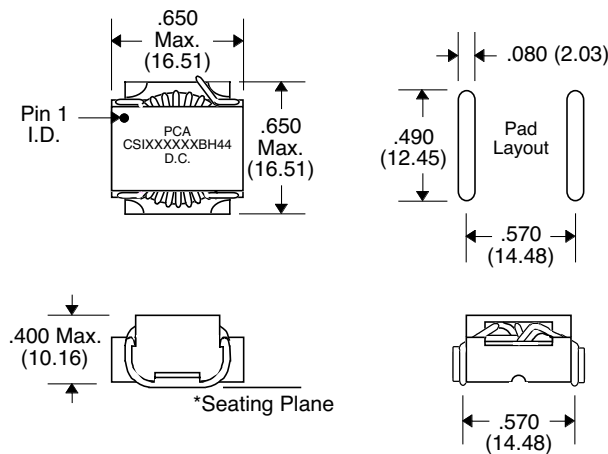
Primary Specification

Part Number	Induct. ($\mu\text{H} \pm 15\%$) @ 0 Adc	DCR (Ω Typ.)	Induct. ($\mu\text{H} 15\%$) @ Idc	Idc (A)	Core Loss		Vt1 (V- μSec) 250 KHz	Vt2 (V- μSec) 500 KHz	Temp.Rise	
					@ Vt1 (mW)	@ Vt2 (mW)			@ Vt1 $^{\circ}\text{C}$ (Typ.)	@ Vt2 $^{\circ}\text{C}$ (Typ.)
EPI1L4143BH44	2.1	.0027	1.4	14	36	36	2.48	1.6	50	50
EPI2L2113BH44	3.1	.0040	2.2	11	46	46	3.32	2.2	49	49

Schematic



Package BH44



*Coil must clear Seating Plane by .010/0.25
Coplanarity : .005/.013

Unless Otherwise Specified Dimensions are in Inches /mm $\pm .010 / .25$