



## DESCRIPTION

PT6525 is an LCD Driver IC which can drive up to 156 segments. It can be used for frequency display in microprocessor-controlled radio receiver and in other display applications. PT6525 supports both 1/3 duty, 1/2 bias and 1/3 duty, 1/3 bias. Pin assignments and application circuit are optimized for easy PCB layout and cost saving advantages.

## FEATURES

- Up to 156 Segments Outputs
- 1/3 Duty - 1/2 Bias and 1/3 Duty - 1/3 Bias Drive Techniques
- Power Saving Mode and all Segments OFF Function
- Direct Display of Display Data without using a Decoder
- RC Oscillation Circuit
- Power Supply Voltage: 4.5V to 6V
- CMOS/TTL compatible logic input pins
- LCD Drive Bias Voltage can be provided internally or externally
- Available in 64 pins LQFP

## APPLICATIONS

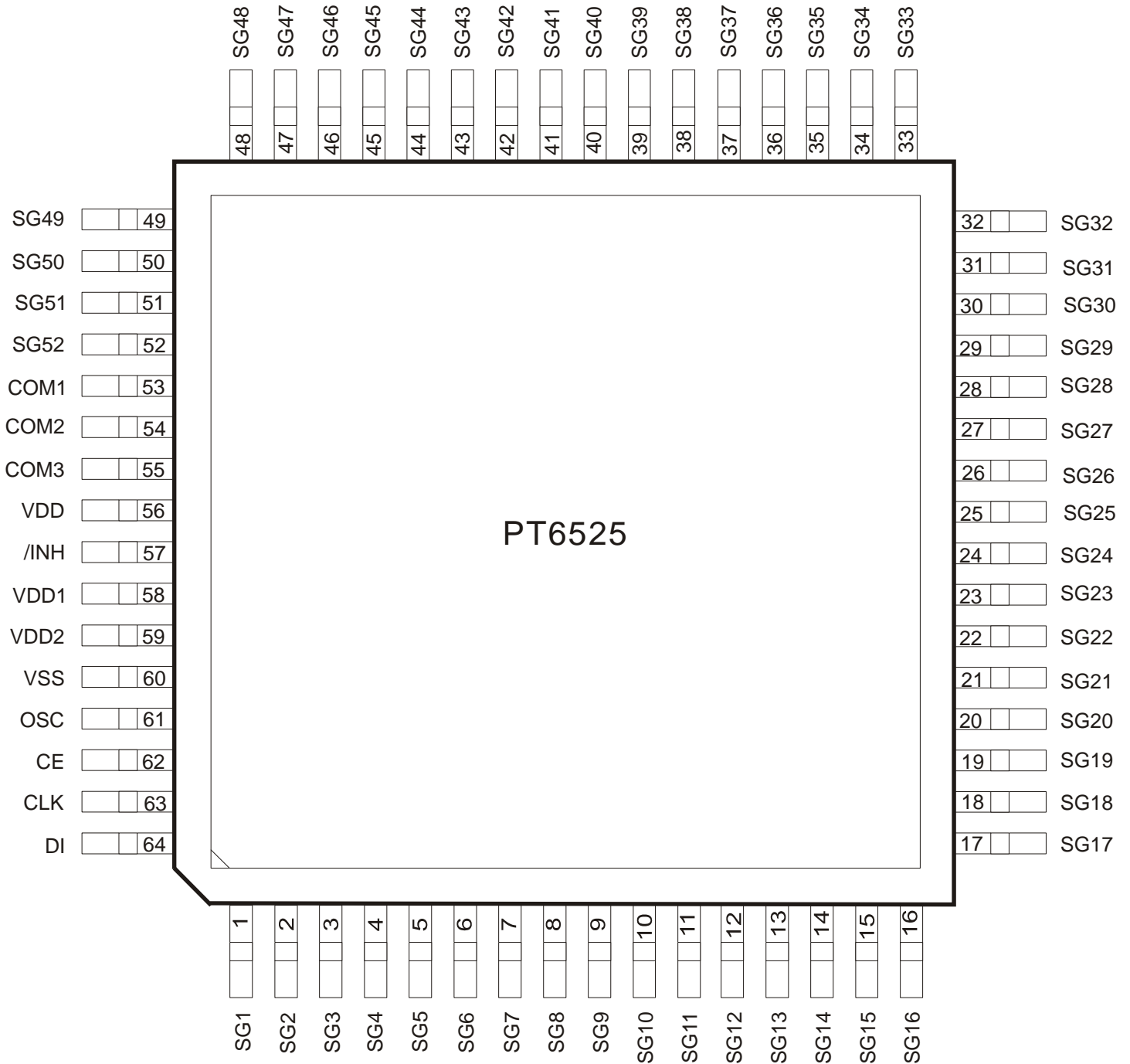
- Electronic Dictionary / Translator
- P.O.S.
- Caller ID
- Pager
- Mini Compo
- Electronic Equipment with LCD Display



1/3 Duty General Purpose LCD Driver IC

PT6525

PIN CONFIGURATION

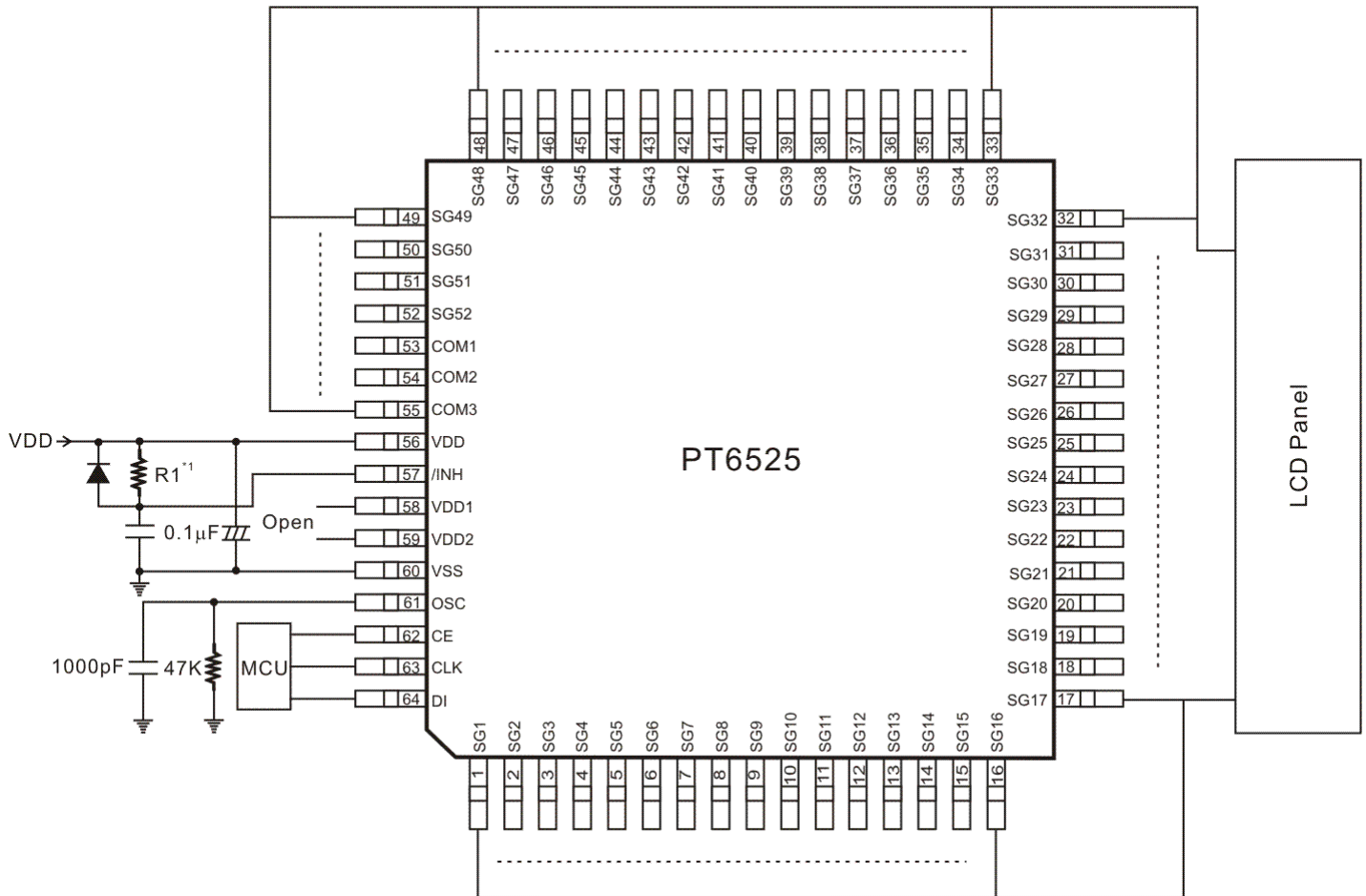




1/3 Duty General Purpose LCD Driver IC

PT6525

APPLICATION CIRCUITS  
1/3 BIAS (FOR SMALL DISPLAY PANEL)



Note:  $39K\Omega \geq R1 \geq 10K\Omega$



## ORDER INFORMATION

Valid Part Number	Package Type	Top Code
PT6525-LQ	64 Pins, LQFP	PT6525-LQ