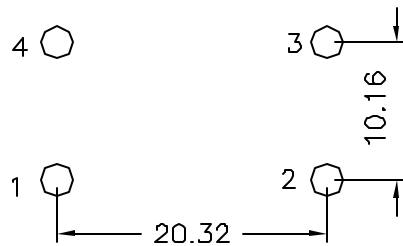
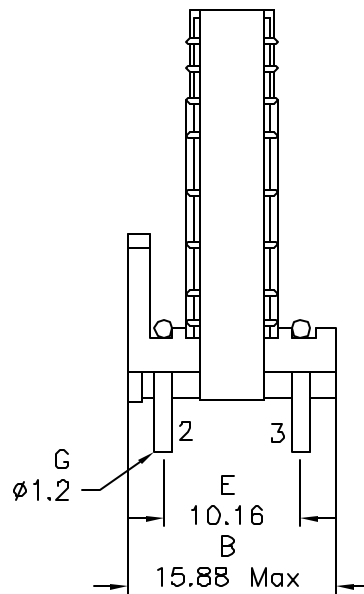
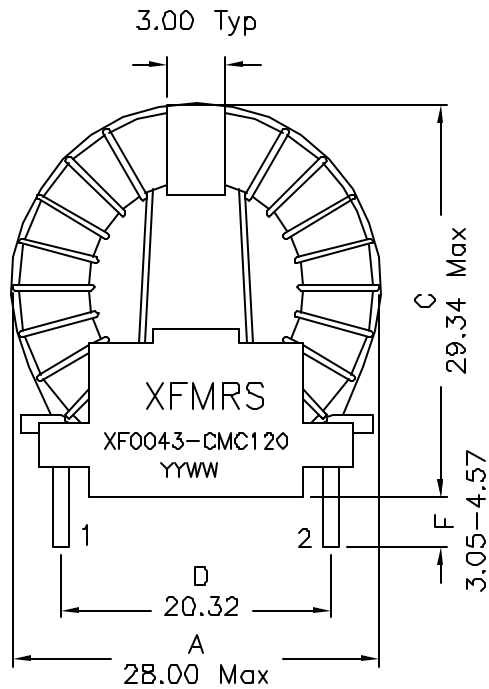
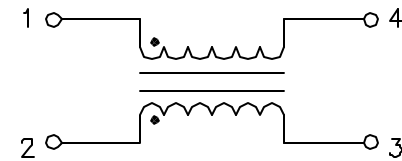


1. Mechanical Dimensions:



SUGGESTED FOOTPRINT

2. Schematic:



3. Electrical Specifications:

DCL: 4.0mH Min @15.75KHz 0.1V, Each Wdg
 LL: Pins 1-4 70uH Max @100KHz 0.1V,
 Short Pins 2-3

Rated Current: 2.0Arms
 DCR: 0.100 Ohms Max, Each Wdg
 HIPOT: 1250Vrms, Wdg to Wdg

Notes:

1. Solderability: Leads shall meet MIL-STD-202, Method 208D for solderability.
2. Flammability: UL94V-0
3. ASTM oxygen index: > 28%
4. Insulation System: Class F 155°C. UL file E151556
5. Operating Temperature Range: All listed parameters are to be within tolerance from -40°C to +85°C
6. Storage Temperature Range: -55°C to +125°C
7. Aqueous wash compatible
8. SMD Lead Coplanarity: ±0.004*(0.102mm)
9. Moisture Sensitivity: Level 2

DOC REV: A/1

PROPRIETARY Document is the property of XFMR5 Group & is not allowed to be duplicated without authorization.

XFMR5 Inc	Title: Common Mode Choke		
UNLESS OTHERWISE SPECIFIED	P/N: XF0043-CMC120	REV. A	
TOLERANCES: .xx ±0.20	DWN.	罗振江	Aug-13-04
Dimensions in mm	CHK.	康玉坤	Aug-13-04
SHEET 1 OF 1	APP.	J Ng	Aug-13-04