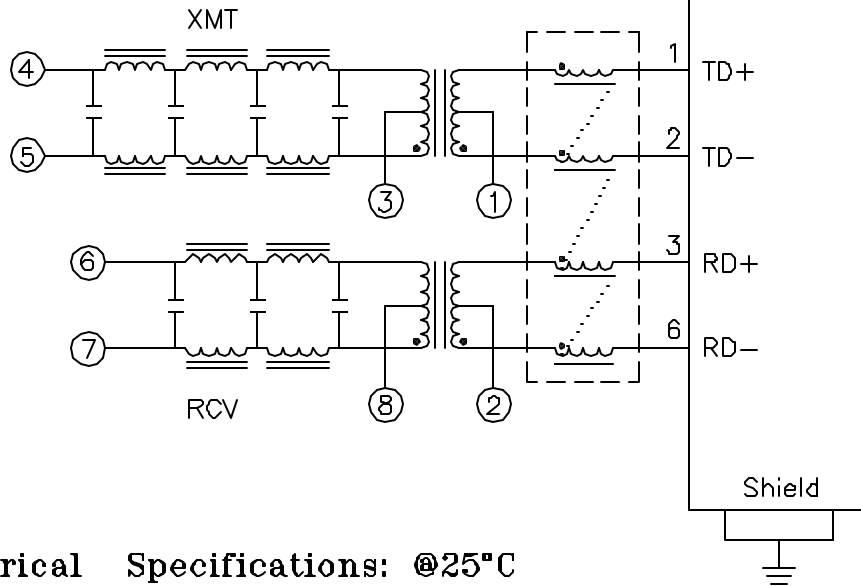


**Schematic:**



**Electrical Specifications: @25°C**

- ISOLATION: 1500 VRMS (Input to Output)
- ISOLATION: 500 VRMS (XMT to RCV)
- INSERTION LOSS (1-10MHz): -1.0dB Maximum
- Q: 6 Min @100KHz 100mV
- ATTENUATION @30MHz:
  - TRANSMIT -30dB Minimum
  - RECEIVER -18dB Minimum
- RETURN LOSS (1-10MHz): -15dB Minimum
- CUTOFF FREQUENCY: 17MHz TYPICAL
- CROSSTALK (1-10MHz): -30dB Minimum
- I/D IMPEDANCE: 100 DHMS

**Notes:**

1. Solderability: Leads shall meet MIL-STD-202G, Method 208H for solderability.
2. Flammability: UL94V-0
3. ASTM oxygen index: > 28%
4. Insulation System: Class F 155°C. UL file E151556
5. Operating Temperature Range: All listed parameters are to be within tolerance from -40°C to +85°C
6. Storage Temperature Range: -55°C to +125°C
7. Aqueous wash compatible
8. Electrical and mechanical specifications 100% tested
9. RoHS Compliant Component

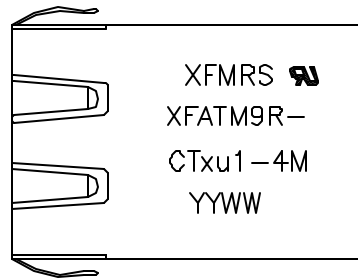
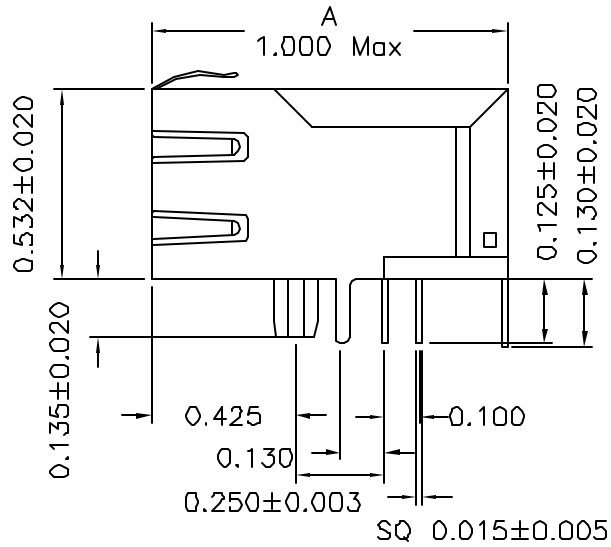
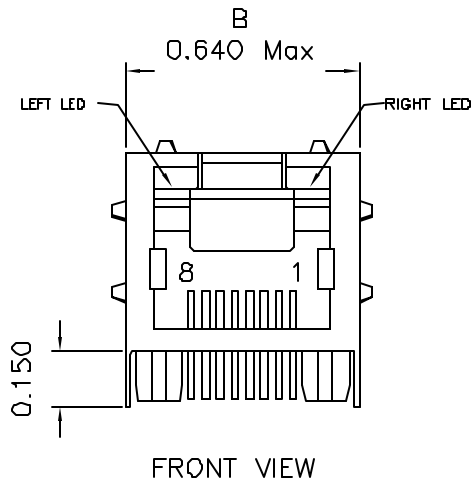
DOC. REV: C/8

<b>XFMRs Inc</b> www.XFMRS.com	Title: <b>10 BASE-T FILTER COMBO</b>			
	UNLESS OTHERWISE SPECIFIED		P/N: XF10BASE-COMBO1-4S	REV. C
TOLERANCES:	DWN.		Juan Mao	May-26-08
.xxx ±0.010	CHK.		YK Liao	May-26-08
Dimensions in INCH	APP.		Joe Huff	May-26-08
SHEET 1 OF 2				

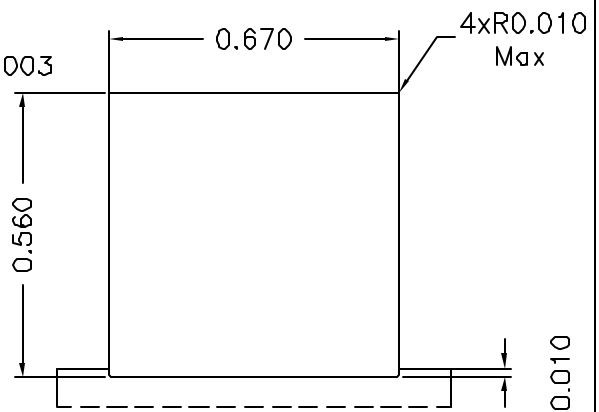
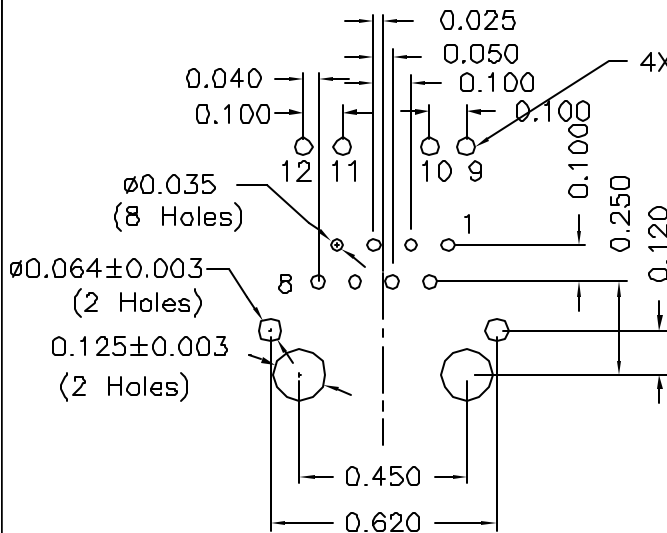
**PROPRIETARY:**

Document is the property of XFMRs Group & is not allowed to be duplicated without authorization.

### Mechanical Dimensions:



### Mounting Pattern:



FACE VIEW  
RECOMMENDED PANEL CUTOUT

DOC REV: A/8

**XFMRS Inc.**  
www.XFMRS.com

Title: Mechanical Dimensions  
For TAB UB RJ45 COMBO

UNLESS OTHERWISE SPECIFIED  
TOLERANCES:  
.xxx ±0.010  
Dimensions in Inch

P/N: XFATM9R-CTxu1-4M

REV. A

DWN.

Juan Mao

May-26-08

CHK.

YK Liao

May-26-08

APP.

Joe Huff

May-26-08

**PROPRIETARY:**

Document is the property of XFMRS Group & is not allowed to be duplicated without authorization.

SHEET 2 OF 2