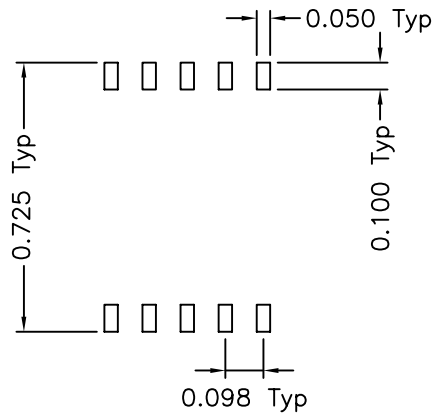
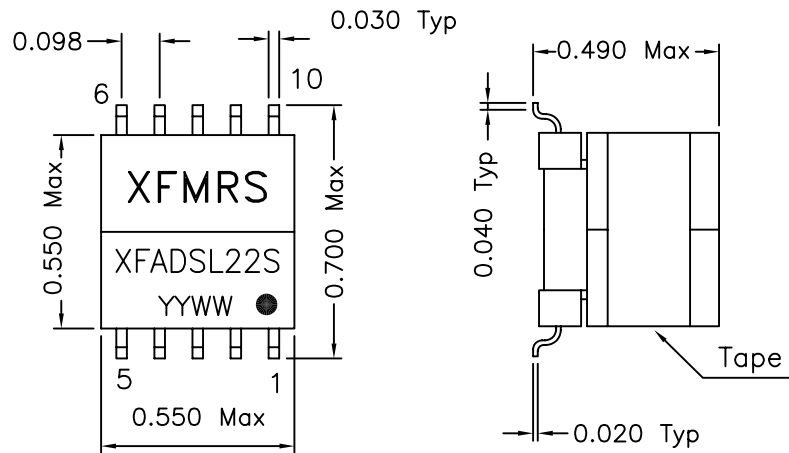
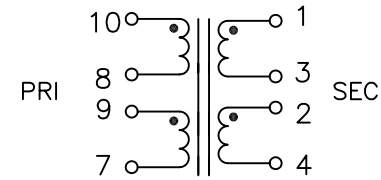


1. Dimensions:



Suggested PCB Layout

2.Schematic:



3.Electrical Specifications: @25°C

Turns Ratio: (P10-7):(P1-4) = 1:1.42±2% (TIE P3-2,P8-9)

PIN10-7 OCL: 2.25mH ±10% @10KHz 0.1V (TIE PIN9-8) Ls

PIN10-7 LL: 30uH Max @100KHz 0.1V

(CONNECT PIN9-8, Short 1-4) Ls

DC Res.: P10-8,P9-7 0.295 Ohms±15%

P1-3,2-4 0.520 Ohms ±15%

HIPOT: 3000VAC for 1 second between P10-1(Tie P8-9,P2-3)

Designed to meet UL1950 requirements for Supplementary Insulation with 250 working volts.

DOC. REV A/2

XFMRs Inc		Title: TRANSFORMER	
UNLESS OTHERWISE SPECIFIED TOLERANCES: .xxx ±0.010 Dimensions in INCH		P/N: XFADSL22S	REV. A
DWN.	廖玉坤	Feb-29-00	
CHK.	李清儿	Feb-29-00	
APP.	Joe Huff	Feb-29-00	
SHEET 1 OF 1			