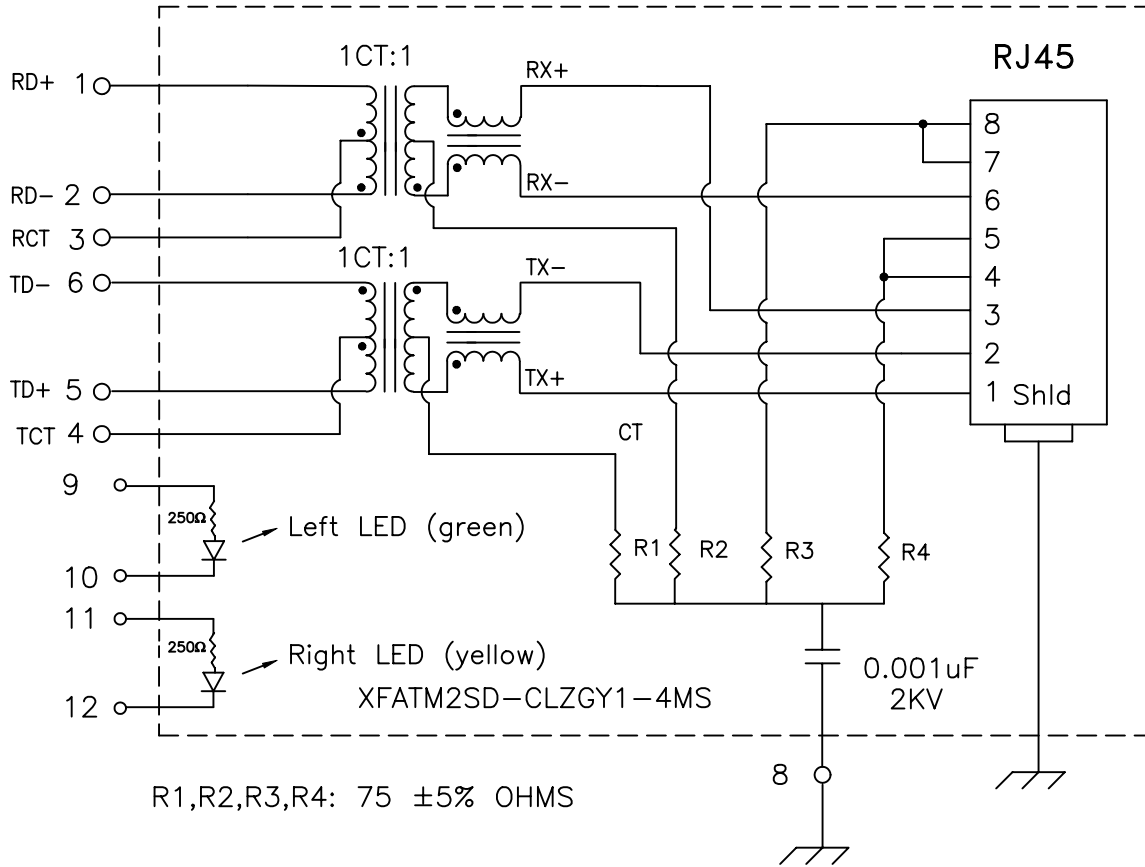


Schematic:



Electrical Specifications: @25°C

Isolation Voltage: 1500 Vrms (INPUT to OUTPUT)

UTP SIDE OCL: 350uH Min @100KHz 100mV 8mADC

Rise Time (10-90%): 2.5ns Typical

Insertion Loss (100KHz-999KHz): -1.0dB Maximum
 (1.0MHz-15.0MHz): -0.3dB Maximum
 (15.1MHz-60.0MHz): -0.6dB Maximum
 (60.1MHz-100MHz): -1.1dB Maximum

Return Loss: (100KHz-60.0MHz): -18dB Minimum
 (60.1MHz-80MHz): -15dB Minimum
 (80.1MHz-100MHz): -12dB Minimum

Crosstalk: (100KHz-60MHz): -43dB Minimum
 (60.1MHz-100MHz): -38dB Minimum

Common Mode to Differential Mode Rejection:
 100KHz-60MHz -46dB Min (Tx) / -35dB Min (Rx)
 60MHz-100MHz -42dB Min (Tx) / -33dB Min (Rx)

Notes:

1. Solderability: Leads shall meet MIL-STD-202, Method 208D for solderability.
2. Flammability: UL94V-0
3. ASTM oxygen index: > 28%
4. Insulation System: Class F 155°C. UL file E151556
5. Operating Temperature Range: -40°C to +85°C

DOC. REV: A/1

XFMRs Inc.

Title:

SINGLE PORT COMBO

UNLESS OTHERWISE SPECIFIED
 TOLERANCES:
 .xxx ±0.010

Dimensions in Inch

SHEET 1 OF 2

P/N: XFATM2SD-CLZGY1-4MS

REV. A

DWN.

李小锋

Mar-10-04

CHK.

廖玉坤

Mar-10-04

APP.

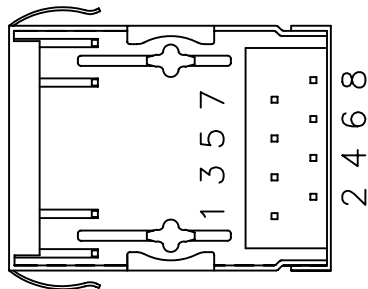
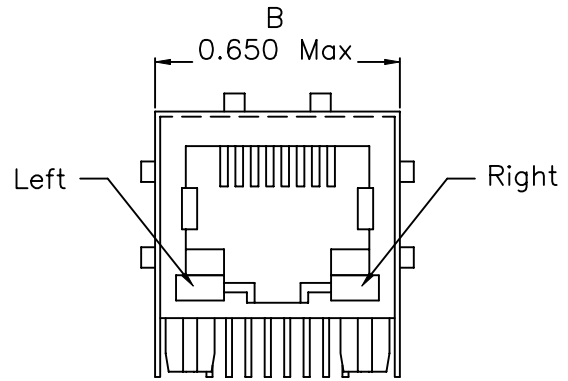
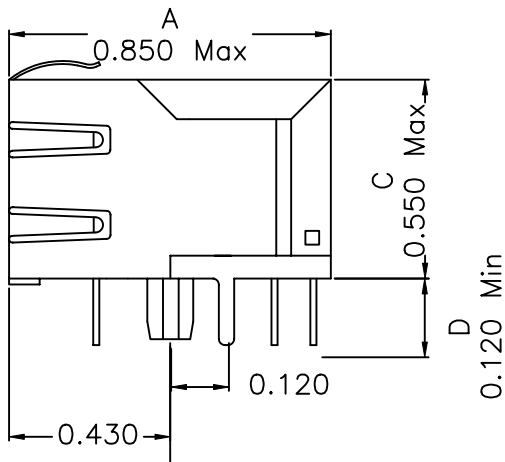
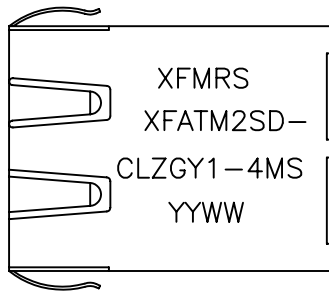
BW

Mar-10-04

PROPRIETARY

Document is the property of XFMRs Group & is not allowed to be duplicated without authorization.

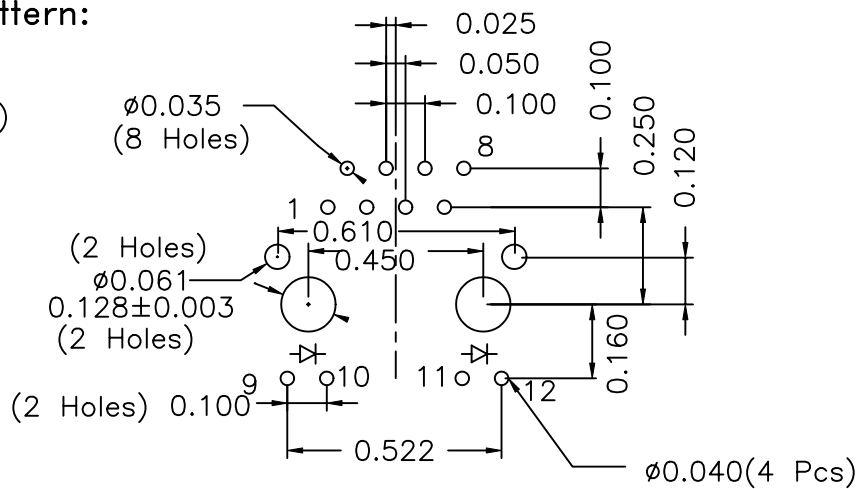
Mechanical Dimensions:



(BOTTOM VIEW)

Mounting Pattern:

(COMP SIDE)



DOC. REV: A/1

XFMRS Inc.

Title: Mechanical Dimensions
For CLxu1-4MS Series

UNLESS OTHERWISE SPECIFIED
TOLERANCES:
.xxx ±0.010
Dimensions in Inch

P/N: XFATM2SD-CLZGY1-4MS

REV. A

DWN.

李小锋

Mar-10-04

CHK.

廖玉坤

Mar-10-04

SHEET 2 OF 2

APP.

BW

Mar-10-04

PROPRIETARY

Document is the property of XFMRS Group & is not allowed to be duplicated without authorization.