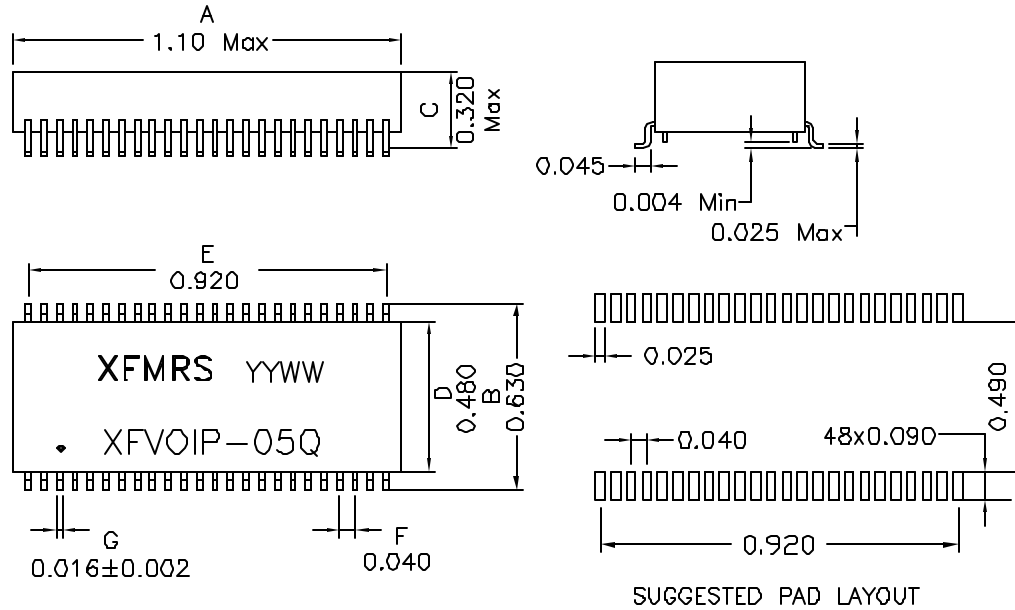
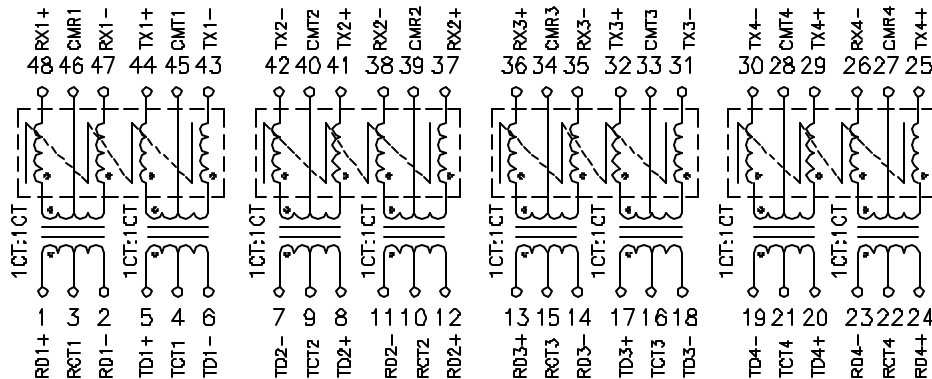


1. Mechanical Dimensions:



2. Schematic:



DOC REV: A/2

3. Electrical Specifications: @25°C

Isolation: 1500Vrms

Insertion Loss: -1.1dB Max @0.1-100MHz

PRI OCL: 350 uH Min @100KHz 100mV 8mADC

PRI DCR: 0.900 Ohms Max

CW/W: 25pF Typ (PRI/SEC) @100KHz 0.1V

Return Loss: -18dB Min @0.5-30MHz

-15.5dB Min @40MHz

-13.6dB Min @50MHz

-12dB Min @60-80MHz

Differential to Common Mode Rejection:

-38dB Typ @0.1-100MHz

Crosstalk: -38dB Typ @1-100MHz

Notes:

1. Solderability: Leads shall meet MIL-STD-202G, Method 208H for solderability.
2. Flammability: UL94V-0
3. ASTM oxygen index: > 28%
4. Insulation System: Class F 155°C. UL file E151556
5. Operating Temperature Range: All listed parameters are to be within tolerance from -40°C to +85°C
6. Storage Temperature Range: -55°C to +125°C
7. Aqueous wash compatible
8. SMD Lead Coplanarity: ±0.004"(0.102mm)
9. Electrical and mechanical specifications 100% tested
10. RoHS Compliant Component

XFMRS Inc www.XFMRS.com	Title: Voice Over IP MAGNETICS MODULES		
UNLESS OTHERWISE SPECIFIED TOLERANCES: .xxx ±0.010 Dimensions in INCH	P/N: XFVOIP-05Q	REV. A	
	DWN.	李小锋	Mar-01-06
SCALE 2:1 SHT 1 OF 1	CHK.	廖玉坤	Mar-01-06
	APP.	MS	Mar-01-06